



US00D895776S

(12) **United States Design Patent**
Horning et al.

(10) **Patent No.:** **US D895,776 S**

(45) **Date of Patent:** **** Sep. 8, 2020**

(54) **BRACE AND MOUNT**

(71) Applicant: **Graco Minnesota Inc.**, Minneapolis, MN (US)

(72) Inventors: **Jeromy D. Horning**, Albertville, MN (US); **August F. Legatt**, Maple Lake, MN (US); **William M. Blenkush**, Becker, MN (US)

(73) Assignee: **Graco Minnesota Inc.**, Minneapolis, MN (US)

(**) Term: **15 Years**

(21) Appl. No.: **29/671,641**

(22) Filed: **Nov. 28, 2018**

(51) **LOC (12) Cl.** **23-01**

(52) **U.S. Cl.**
USPC **D23/265**; D8/394; D8/386; D8/382

(58) **Field of Classification Search**
USPC D23/259-260, 262, 264-266, 249; D15/126, 138-139, 143; D8/382, 387, D8/72-73, 385-386, 394-397; 251/143, 251/146-148; 285/148.2, 328, 921; 411/508-510

CPC E21B 43/116; E21B 17/117
See application file for complete search history.

(56) **References Cited**

U.S. PATENT DOCUMENTS

D246,855 S *	1/1978	Treloar	D23/262
D264,429 S	5/1982	Foscarin et al.		
D268,894 S	5/1983	Wollar		
4,429,906 A *	2/1984	Spadotto	F16L 37/40 285/315
D356,320 S *	3/1995	Catalanotti	D15/135
D359,797 S *	6/1995	Saito	D23/262
D456,699 S	5/2002	Nakanishi		
D498,414 S *	11/2004	Yoneoka	D8/382

D536,956 S	2/2007	Huang		
D589,333 S	3/2009	Nakazato		
D590,242 S	4/2009	Carter		
D632,550 S *	2/2011	Watanabe	C23C 16/45512 D8/382
D636,255 S *	4/2011	Suzuki	D8/386
D648,210 S	11/2011	Reynoso		
D666,900 S	9/2012	Ogino et al.		
D673,841 S *	1/2013	Hirano	D8/382
D675,508 S *	2/2013	Hirano	D8/382
D689,590 S *	9/2013	Brose	D23/213
8,800,962 B2	8/2014	Ritter et al.		
D752,963 S *	4/2016	Kaupp	D8/385
D770,598 S	11/2016	Steele		
9,494,021 B2	11/2016	Parks et al.		
D835,756 S *	12/2018	Auxter	D23/249
D878,520 S *	3/2020	Auxter	D23/249

(Continued)

OTHER PUBLICATIONS

First Brazilian Office Action for BR Application No. BR302019002238-9, dated Sep. 10, 2019, pp. 3.

(Continued)

Primary Examiner — Amy C Wierenga
(74) *Attorney, Agent, or Firm* — Kinney & Lange, P.A.

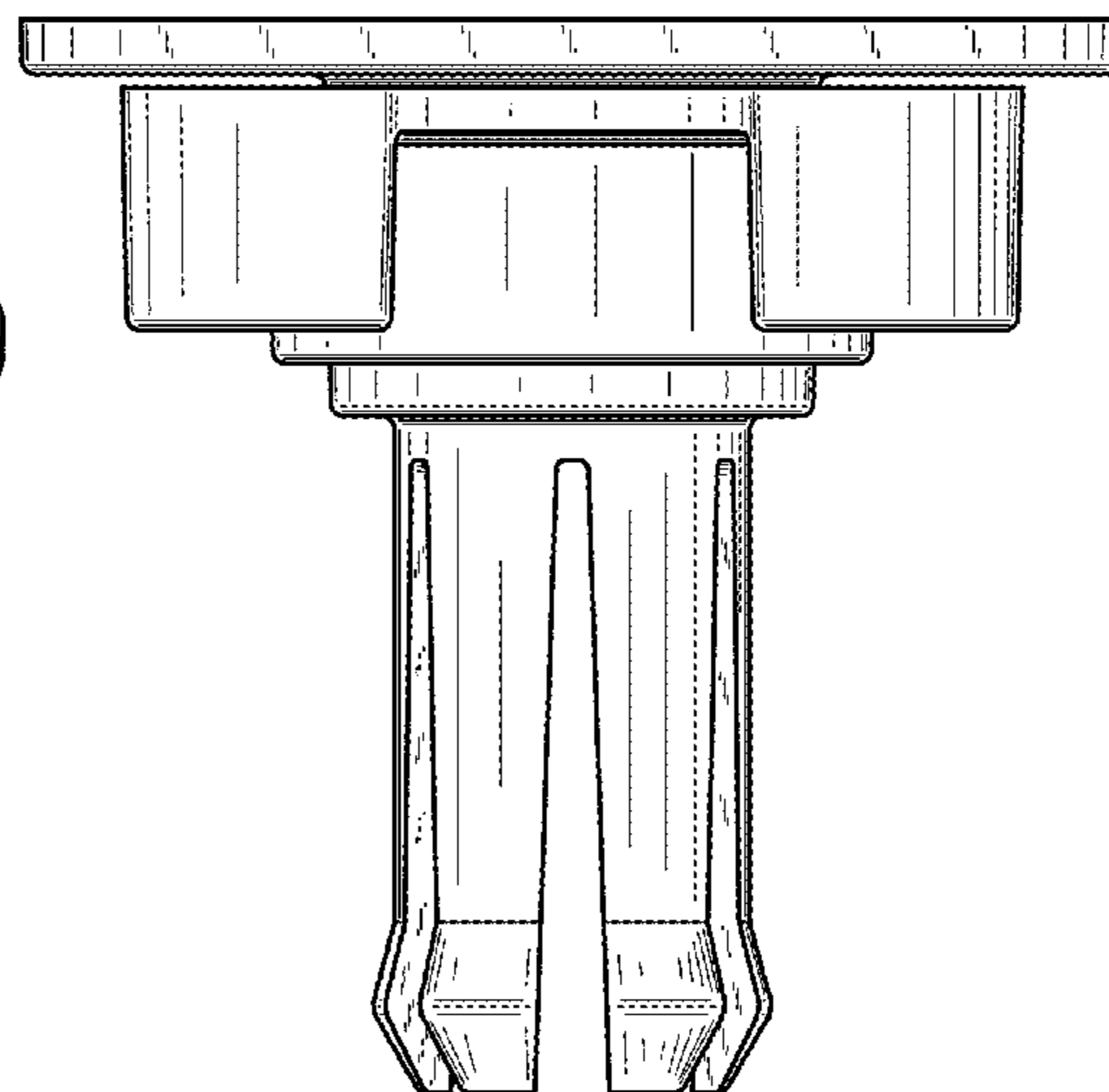
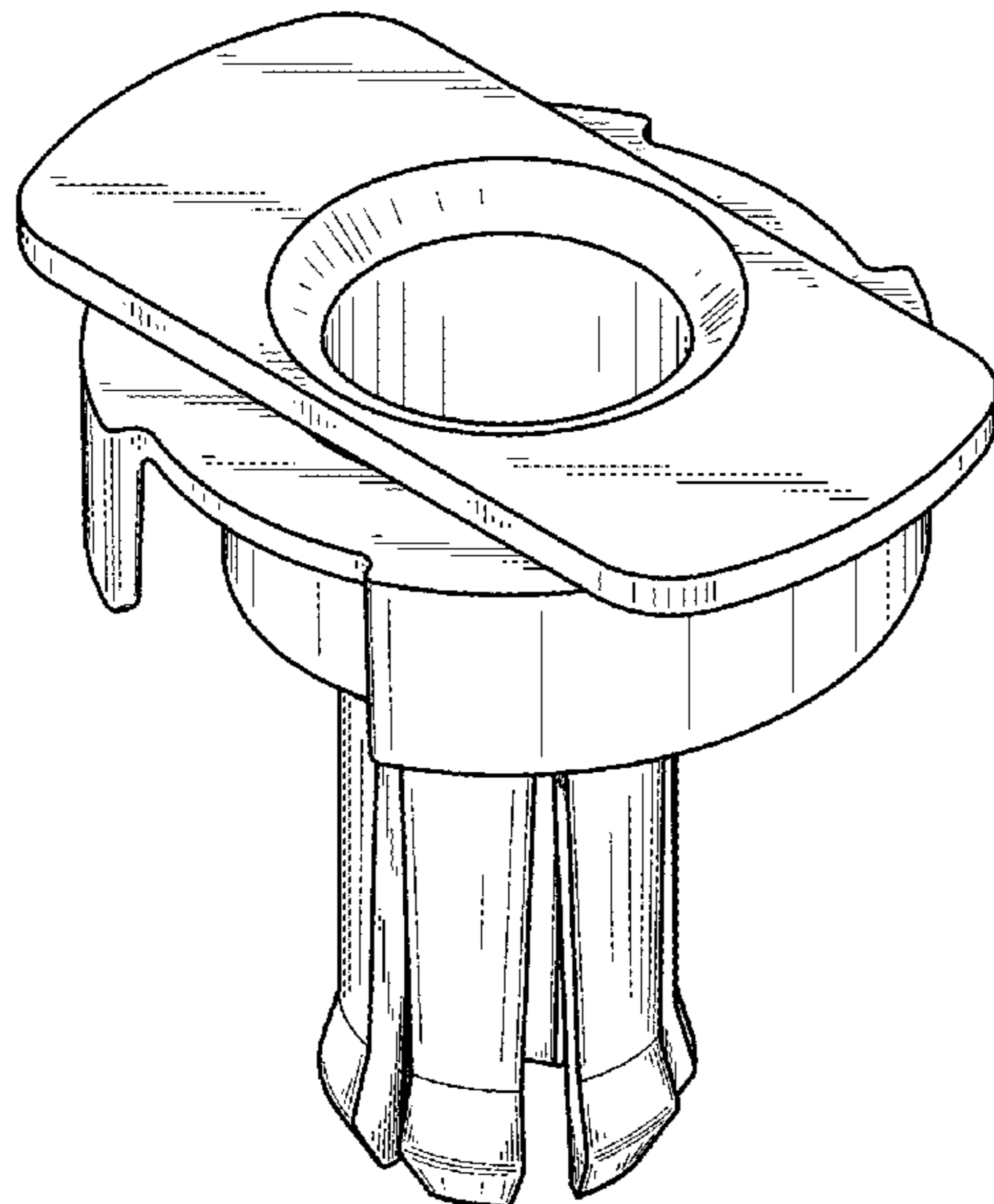
(57) **CLAIM**

The ornamental design for a brace and mount, as shown and described.

DESCRIPTION

FIG. 1 is a perspective view of a brace and mount; FIG. 2 is a left side view of a brace and mount; FIG. 3 is a right side view of a brace and mount; FIG. 4 is a front elevational view of a brace and mount; FIG. 5 is a rear elevational view of a brace and mount; FIG. 6 is a top plan view of a brace and mount; and, FIG. 7 is a bottom plan view of a brace and mount.

1 Claim, 7 Drawing Sheets



(56)

References Cited

U.S. PATENT DOCUMENTS

2019/0330947 A1* 10/2019 Mulhern E21B 23/10

OTHER PUBLICATIONS

First Taiwan Patent Application for TW application No. 108302551,
dated Sep. 11, 2019, pp. 3.

ROC (Taiwan) Search Report for TW Application No. 108307254,
dated Apr. 20, 2020, pp. 5.

First Russian Office Action for RU Application No. 2019501766/49,
dated Jun. 25, 2019, pp. 4.

Search Report for ROC (Taiwan) Application No. 108305551, dated
Dec. 5, 2019, pp. 5.

* cited by examiner

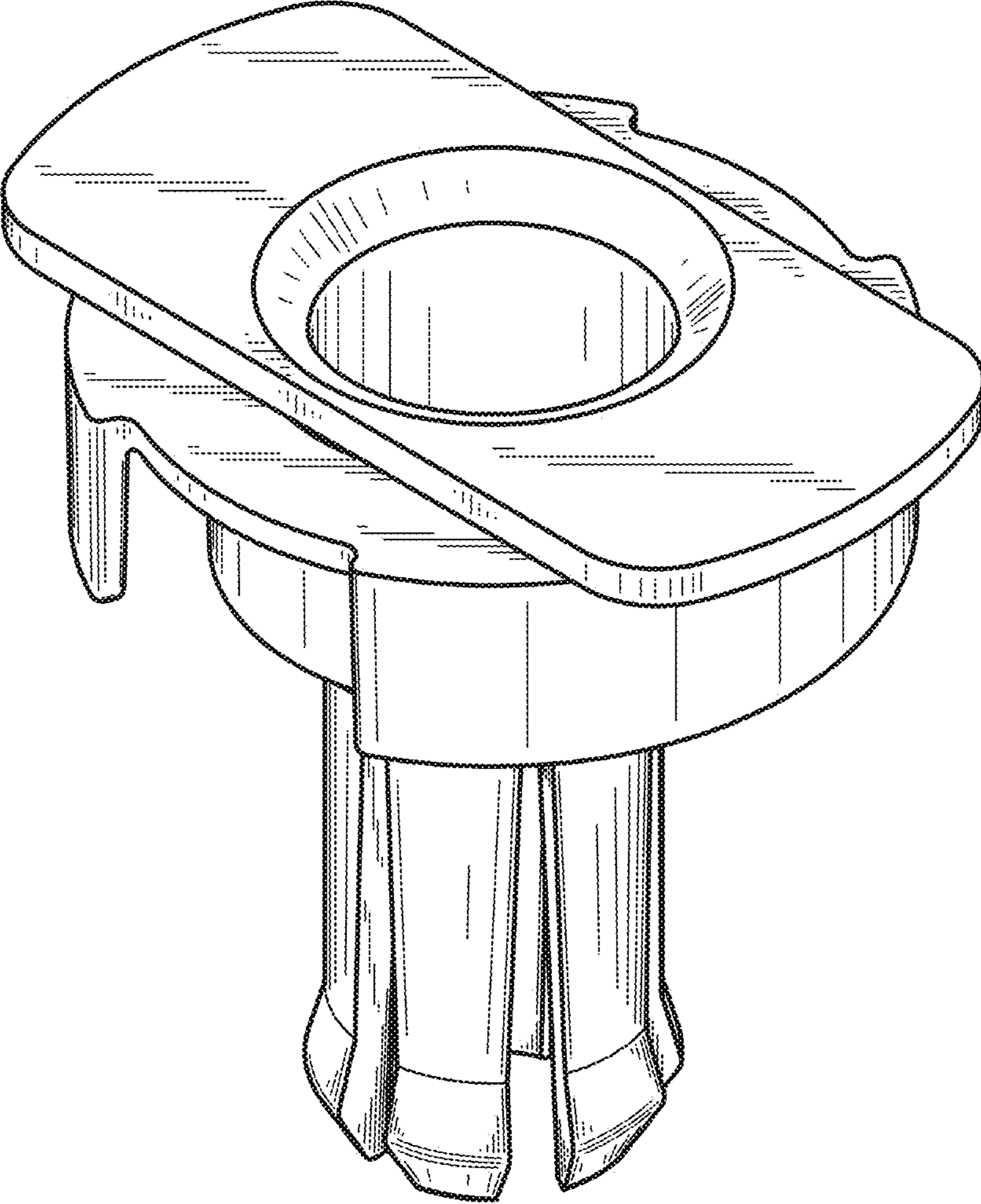


Fig. 1

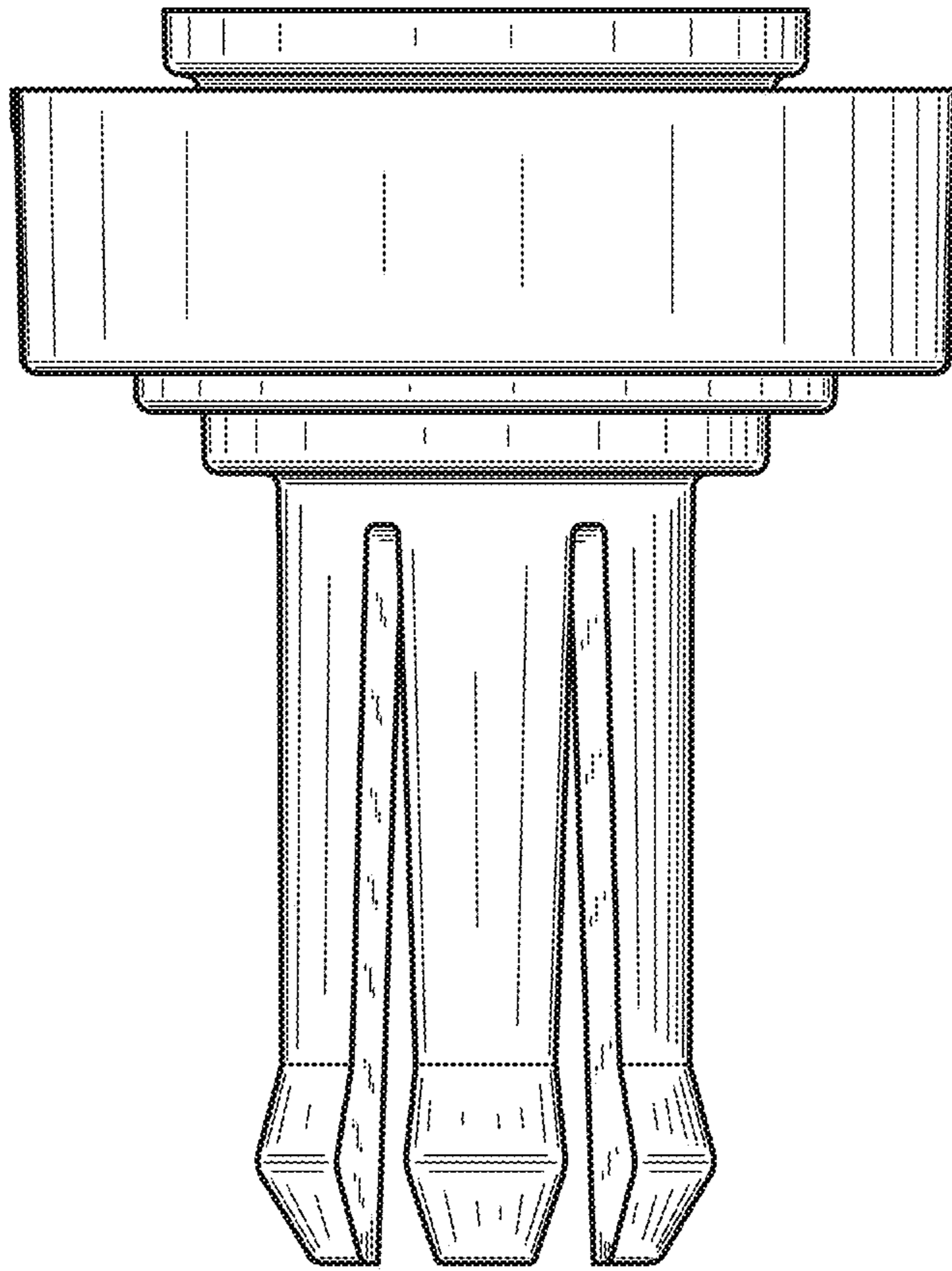


Fig. 2

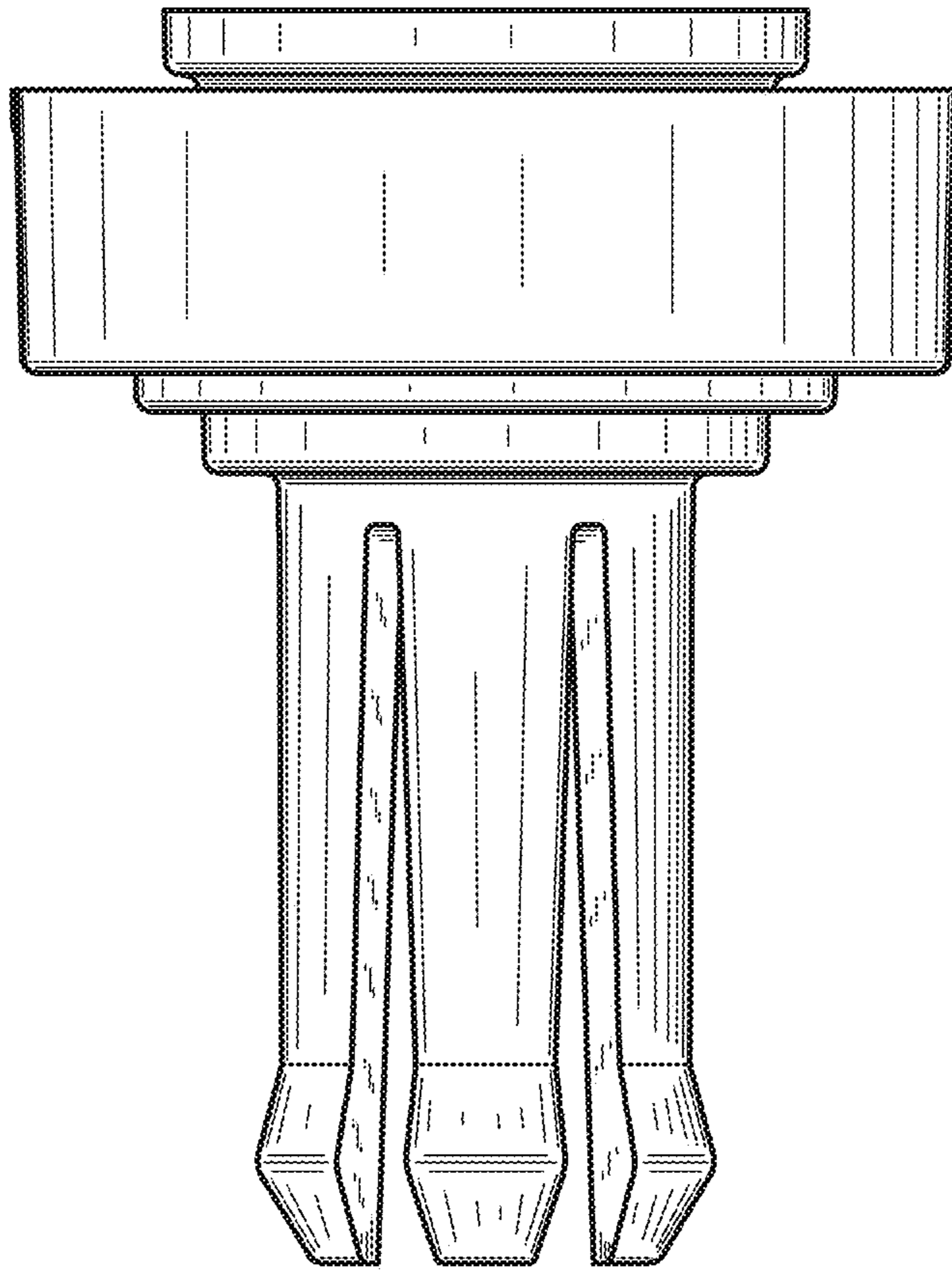


Fig. 3

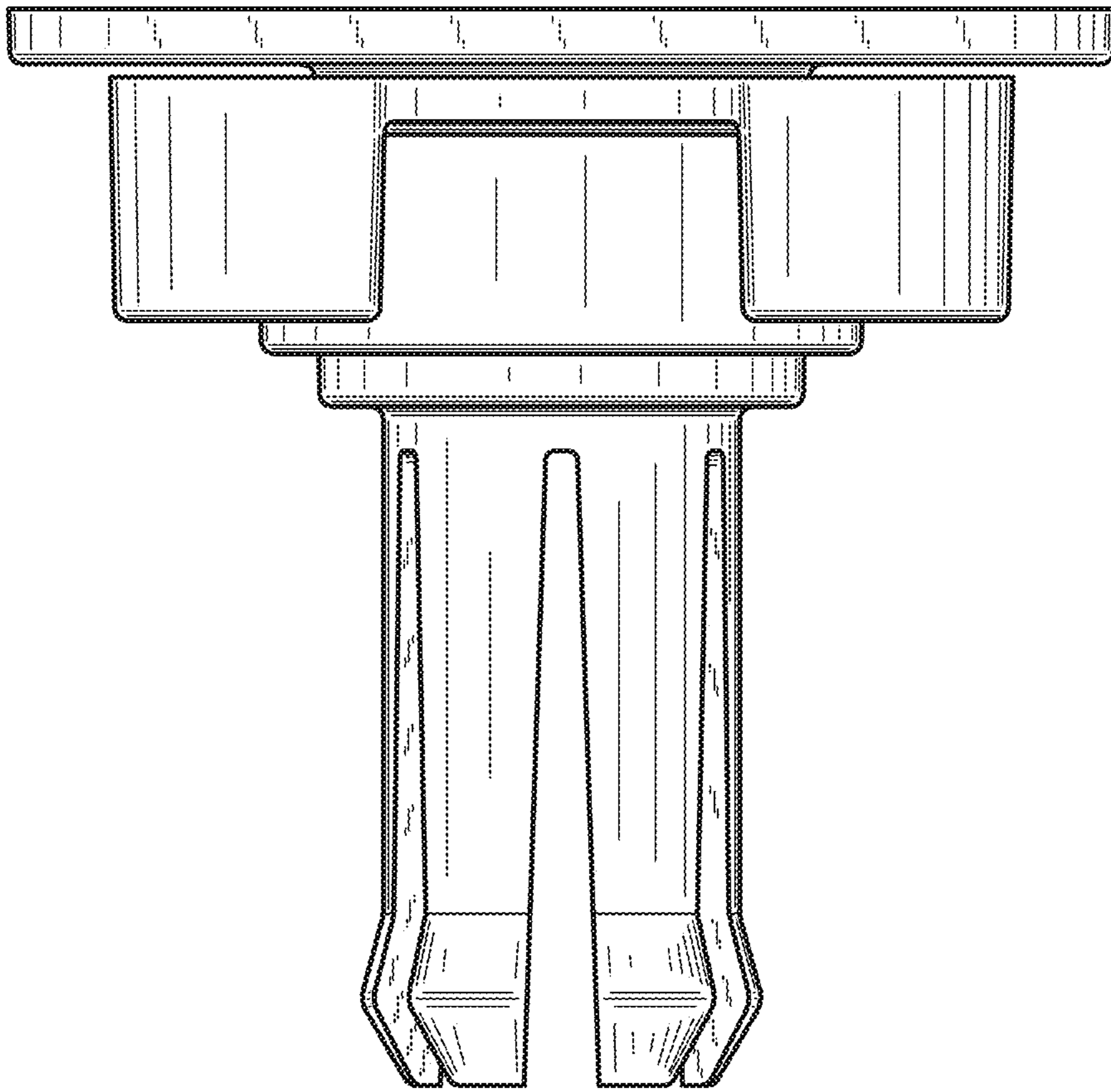


Fig. 4

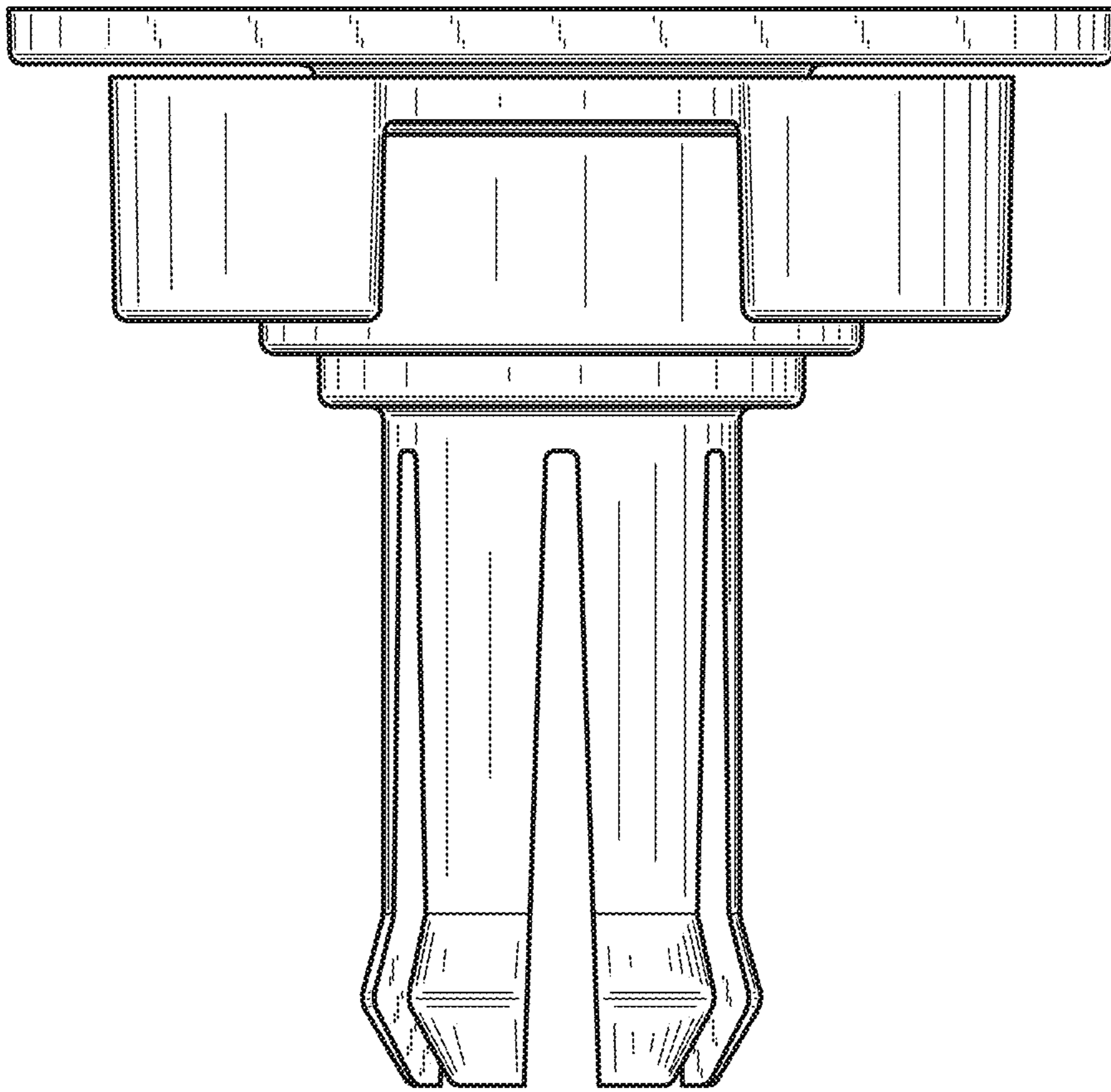


Fig. 5

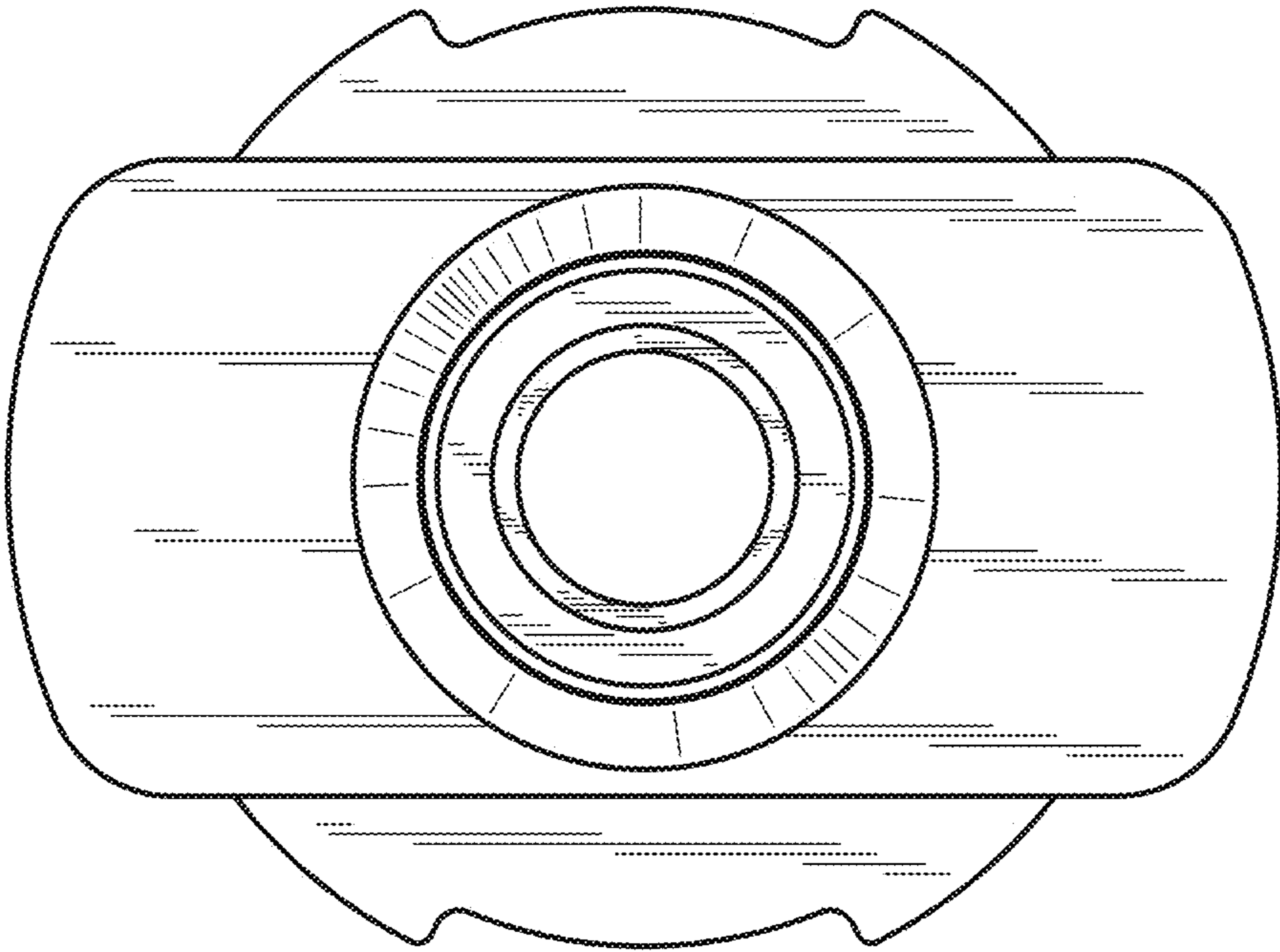


Fig. 6

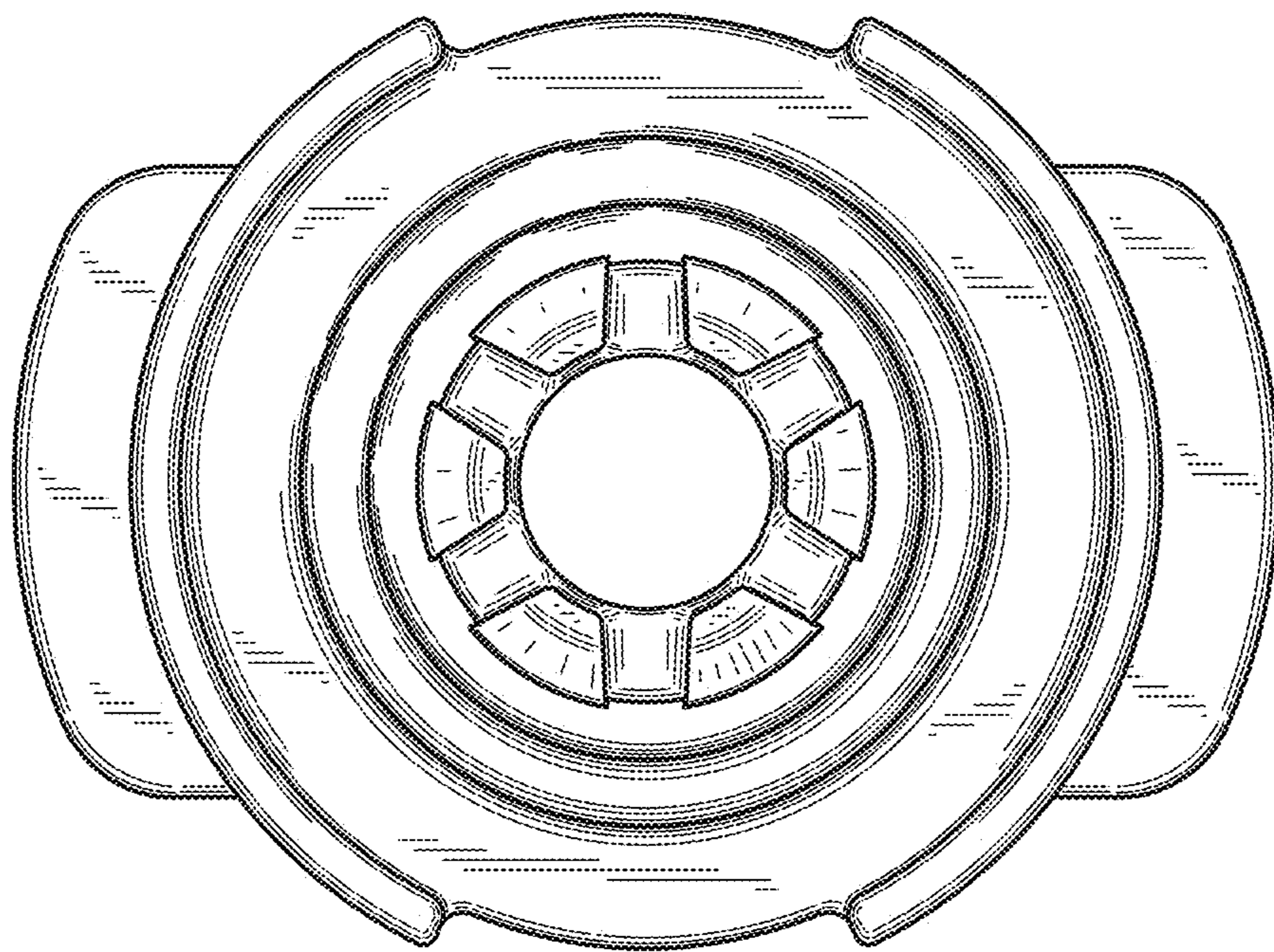


Fig. 7