



US00D895775S

(12) **United States Design Patent**  
**Horning et al.**

(10) **Patent No.:** **US D895,775 S**

(45) **Date of Patent:** **\*\* Sep. 8, 2020**

- (54) **CLIP**
- (71) Applicant: **Graco Minnesota Inc.**, Minneapolis, MN (US)
- (72) Inventors: **Jeromy D. Horning**, Albertville, MN (US); **August F. Legatt**, Maple Lake, MN (US)
- (73) Assignee: **Graco Minnesota Inc.**, Minneapolis, MN (US)
- (\*\*) Term: **15 Years**
- (21) Appl. No.: **29/671,640**
- (22) Filed: **Nov. 28, 2018**
- (51) **LOC (12) Cl.** ..... **23-01**
- (52) **U.S. Cl.**  
USPC ..... **D23/265**; D8/396; D8/382; D8/394
- (58) **Field of Classification Search**  
USPC ..... D23/259-260, 262, 264-266, 249; D15/126, 138-139, 143; D8/382, 387, D8/72-73, 394-397, 385-386; 251/143, 251/146-148; 285/148.2, 328, 921; 411/508-510  
CPC ..... E21B 43/116; E21B 17/117  
See application file for complete search history.

- 6,622,976 B1 \* 9/2003 Ianello ..... F16L 3/13 248/73
- D484,783 S 1/2004 Woodhall
- D506,385 S \* 6/2005 Brown ..... D8/394
- D510,257 S 10/2005 Marty et al.
- D531,019 S \* 10/2006 Plumer ..... D8/396
- D549,086 S \* 8/2007 Fujiwara ..... D8/382
- 7,456,361 B2 11/2008 Hill
- 7,640,884 B2 1/2010 Tamez, Jr.
- D619,452 S \* 7/2010 Ollila ..... D8/396

(Continued)

**FOREIGN PATENT DOCUMENTS**

- CN 303449815 A 11/2015
- CN 303813508 A 8/2016

(Continued)

**OTHER PUBLICATIONS**

First Taiwan Office Action for TW Application No. 108302550, dated Sep. 10, 2019, pp. 3.

(Continued)

*Primary Examiner* — Amy C Wierenga  
(74) *Attorney, Agent, or Firm* — Kinney & Lange, P. A.

(57) **CLAIM**

The ornamental design for a clip, as shown and described.

**DESCRIPTION**

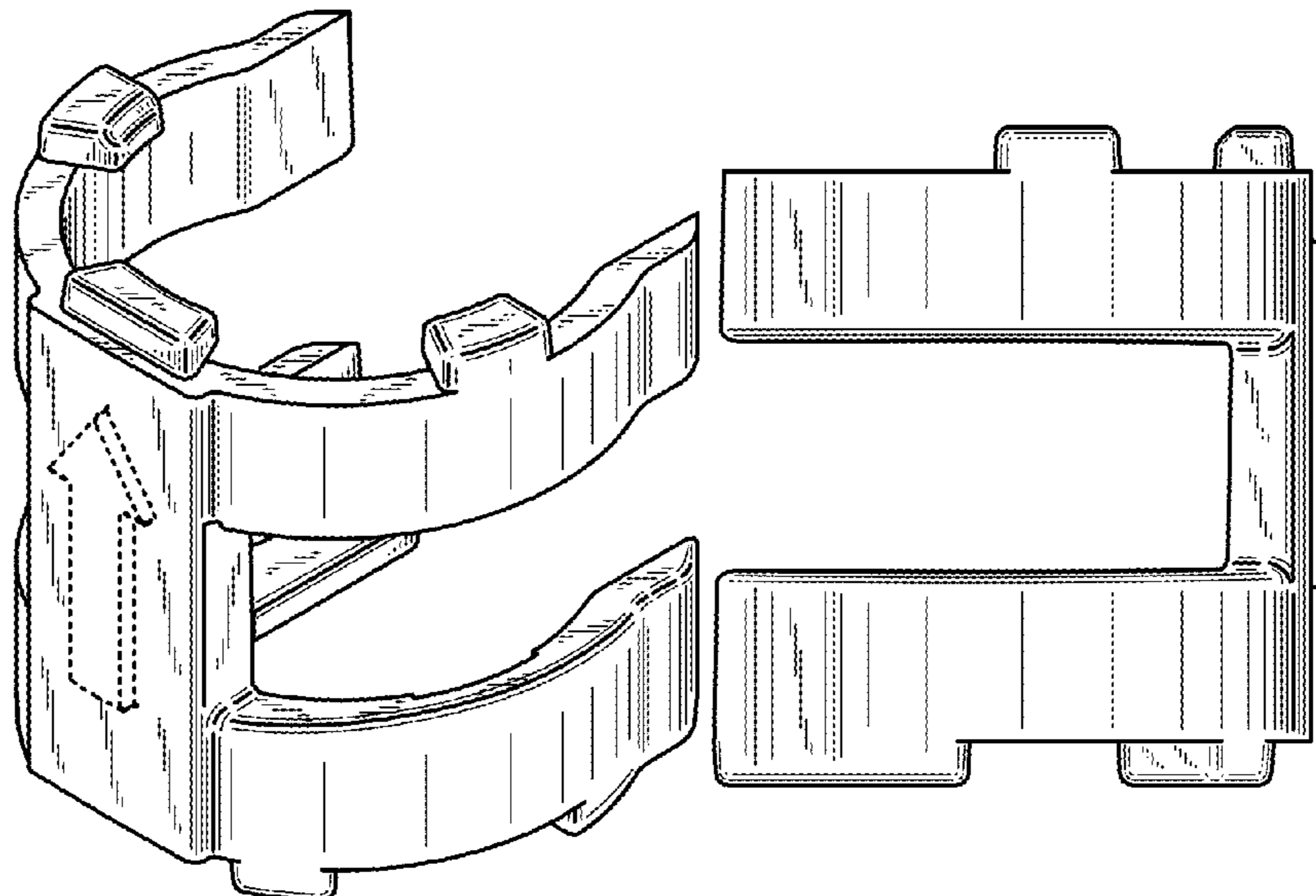
FIG. 1 is a perspective view of a clip; FIG. 2 is a front elevational view of a clip; FIG. 3 is a rear elevational view of a clip; FIG. 4 is a right side view of a clip; FIG. 5 is a left side view of a clip; FIG. 6 is a top plan view of a clip; and, FIG. 7 is a bottom plan view of a clip. The broken lines in the Figures are for environmental purposes only and form no part of the claimed design.

**1 Claim, 4 Drawing Sheets**

(56) **References Cited**

**U.S. PATENT DOCUMENTS**

- 1,895,656 A \* 1/1933 Gadke ..... A47G 33/105 248/229.26
- 3,313,009 A \* 4/1967 Beckerer ..... F16L 3/13 248/74.2
- D253,091 S \* 10/1979 Fritz ..... D8/394
- D279,959 S \* 8/1985 Nimmo ..... D8/382
- D312,390 S 11/1990 Clement
- D314,325 S \* 2/1991 Ziaylek, Jr. .... D8/373
- 5,623,890 A 4/1997 Lenske
- D390,101 S \* 2/1998 Nygard ..... D8/395



(56)

References Cited

OTHER PUBLICATIONS

U.S. PATENT DOCUMENTS

D689,026 S 9/2013 Smith  
9,334,887 B2 5/2016 Leo, II  
D760,583 S 7/2016 Weilage  
D792,971 S 7/2017 Greenizen et al.  
D819,434 S \* 6/2018 Sonneman ..... D8/394  
D839,994 S \* 2/2019 Cole ..... D23/249  
D860,773 S 9/2019 Hawthorne

FOREIGN PATENT DOCUMENTS

CN 304183039 A 6/2017  
CN 304229424 A 8/2017  
CN 304425130 A 12/2017  
CN 304552271 A 3/2018  
CN 304564491 A 4/2018  
CN 304845473 A 10/2018

Search Report for ROC (Taiwan) Application No. 108302550, dated Dec. 6, 2019, pp. 5.  
Second Brazilian Office Action for BR Application No. BR302019002237-0, dated May 24, 2020, pp. 2.  
ROC (Taiwan) Search Report for TW Application No. 108307253, dated Apr. 20, 2020, pp. 5.  
Second Brazilian Office Action for BR Application No. BR3020190022370, dated Oct. 29, 2019, pp. 1.  
First Brazil Office Action for BR Application No. BR 30 2019 002237-0, dated Aug. 6, 2019, pp. 2.  
First Russian Office Action for RU Application No. 2019501765/49, dated Jun. 21, 2019, pp. 4.  
Indian First Exam Report for IN Application No. 318063-001, dated Jun. 27, 2019, pp. 2.  
Indian First Exam Report for IN Application No. 318064-001, dated Jun. 27, 2019, pp. 2.  
Search Report for ROC (Taiwan) Application No. 108302550, dated Dec. 13, 2019, pp. 5.

\* cited by examiner

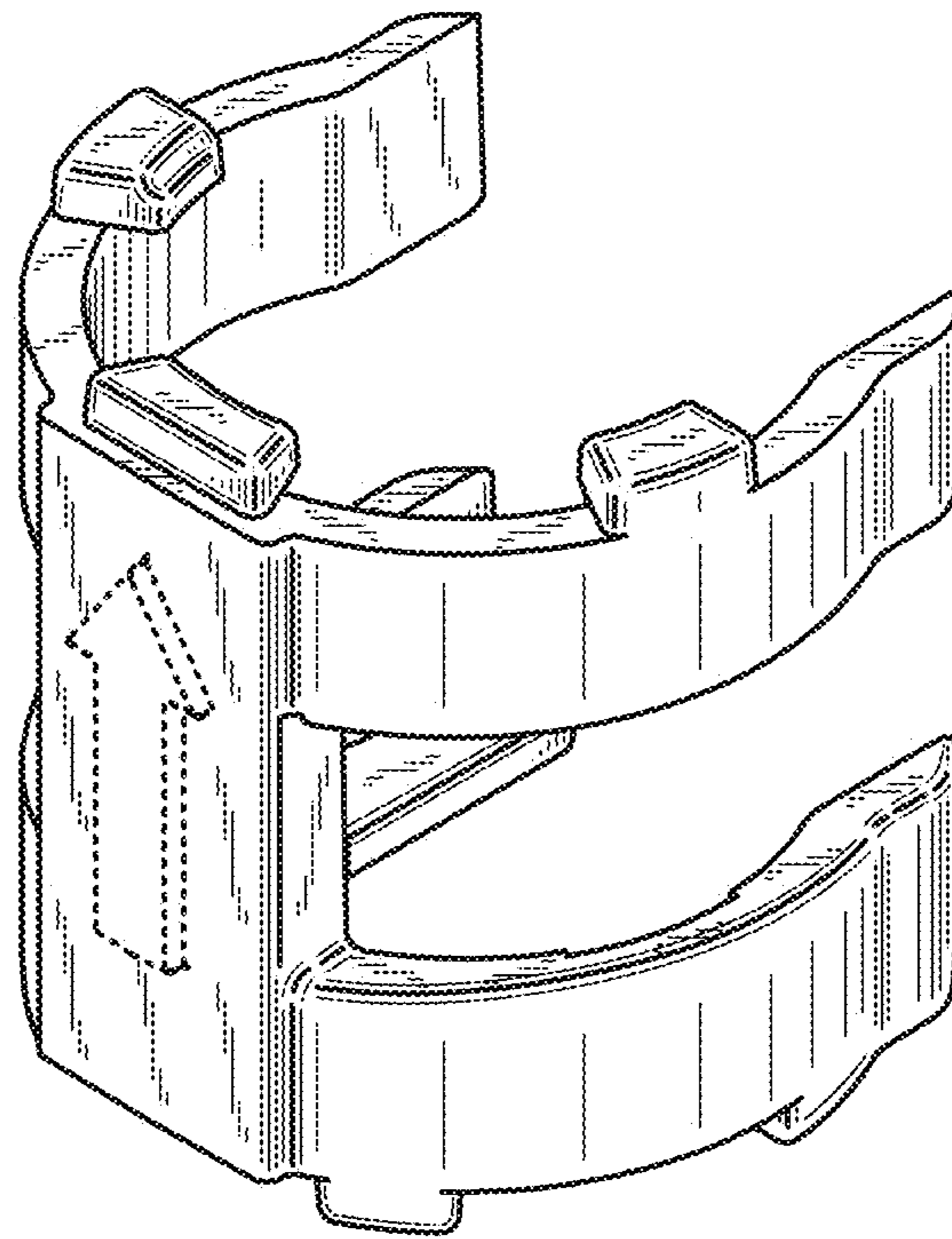


Fig. 1

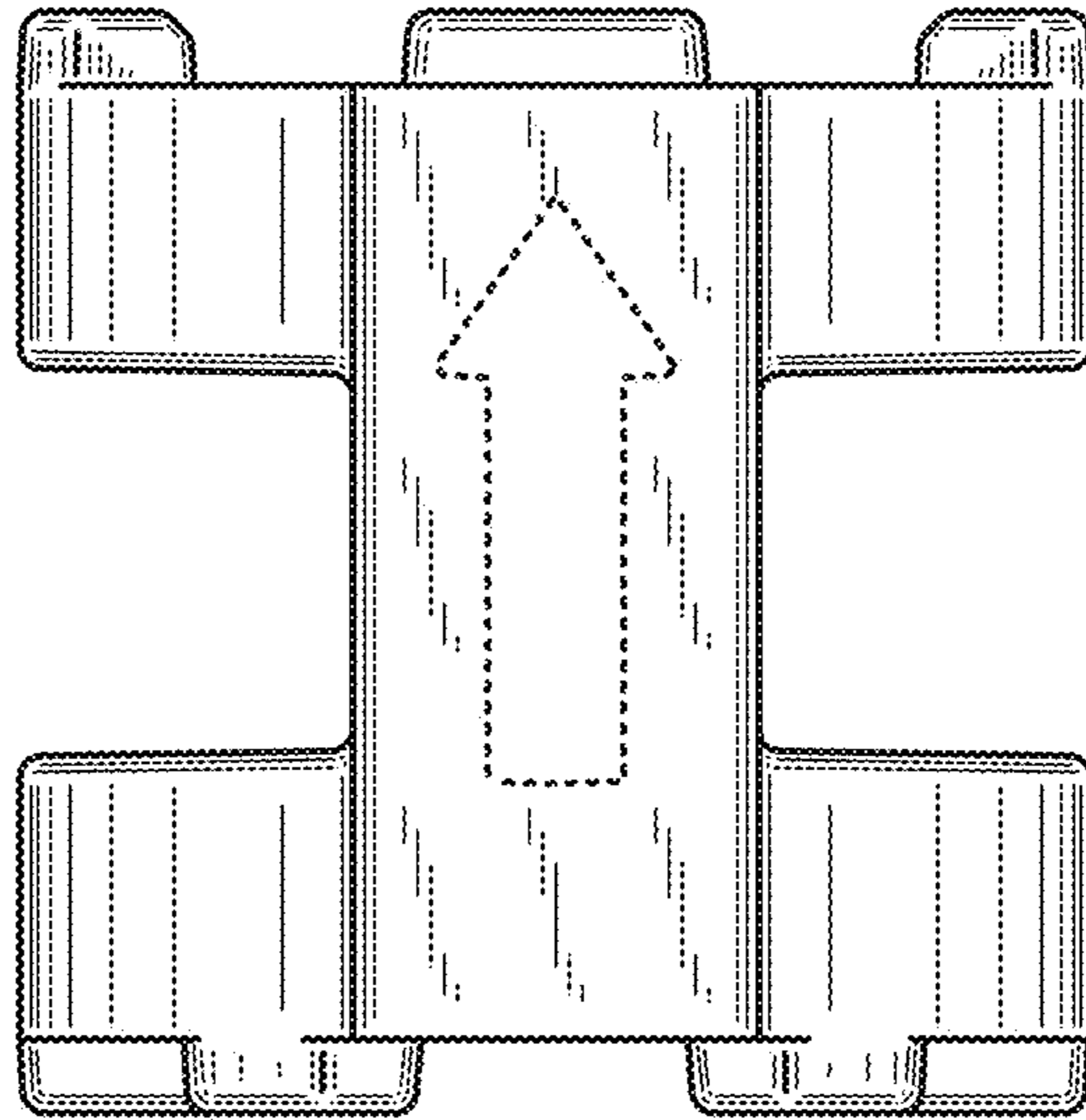


Fig. 2

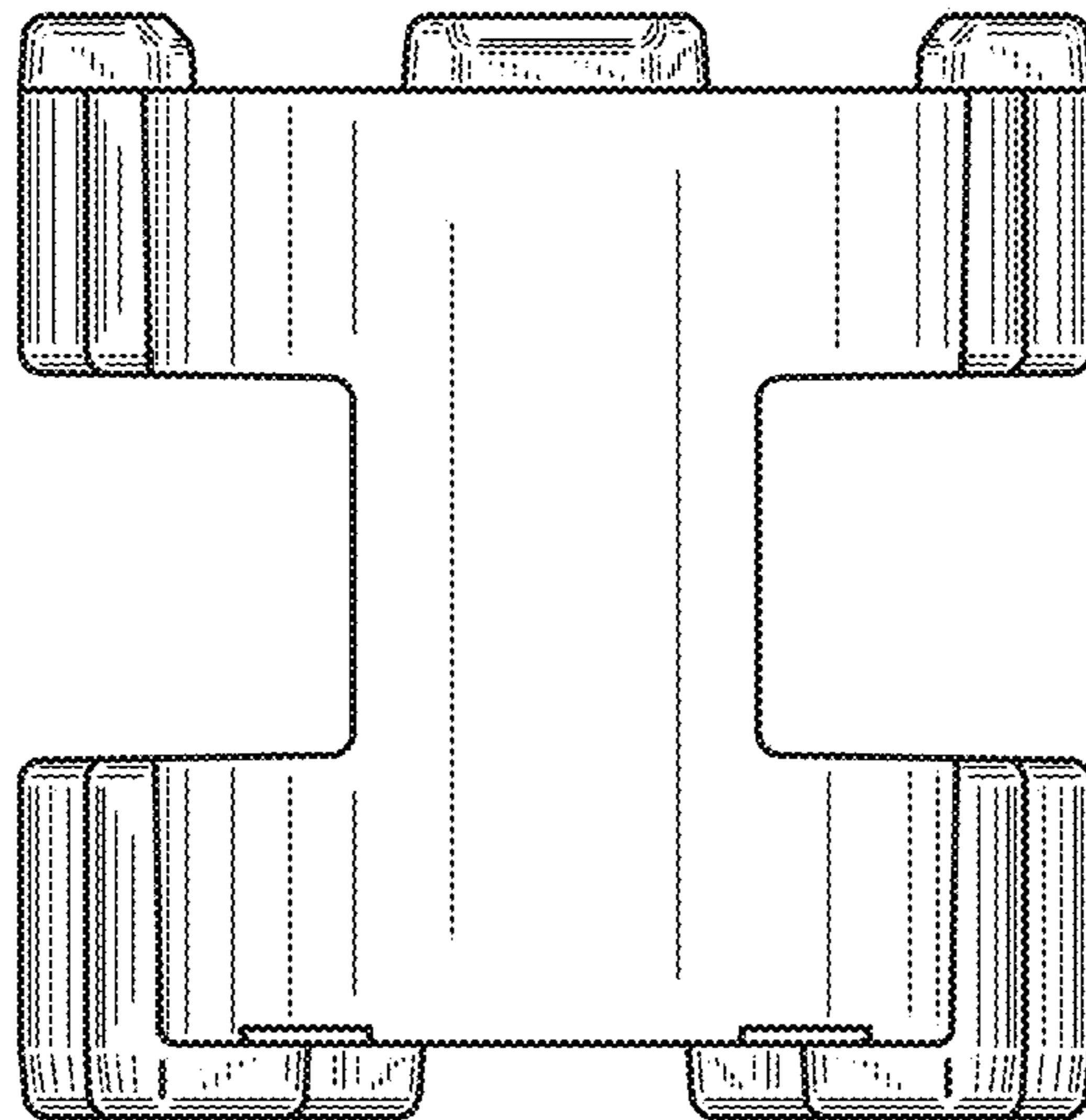


Fig. 3

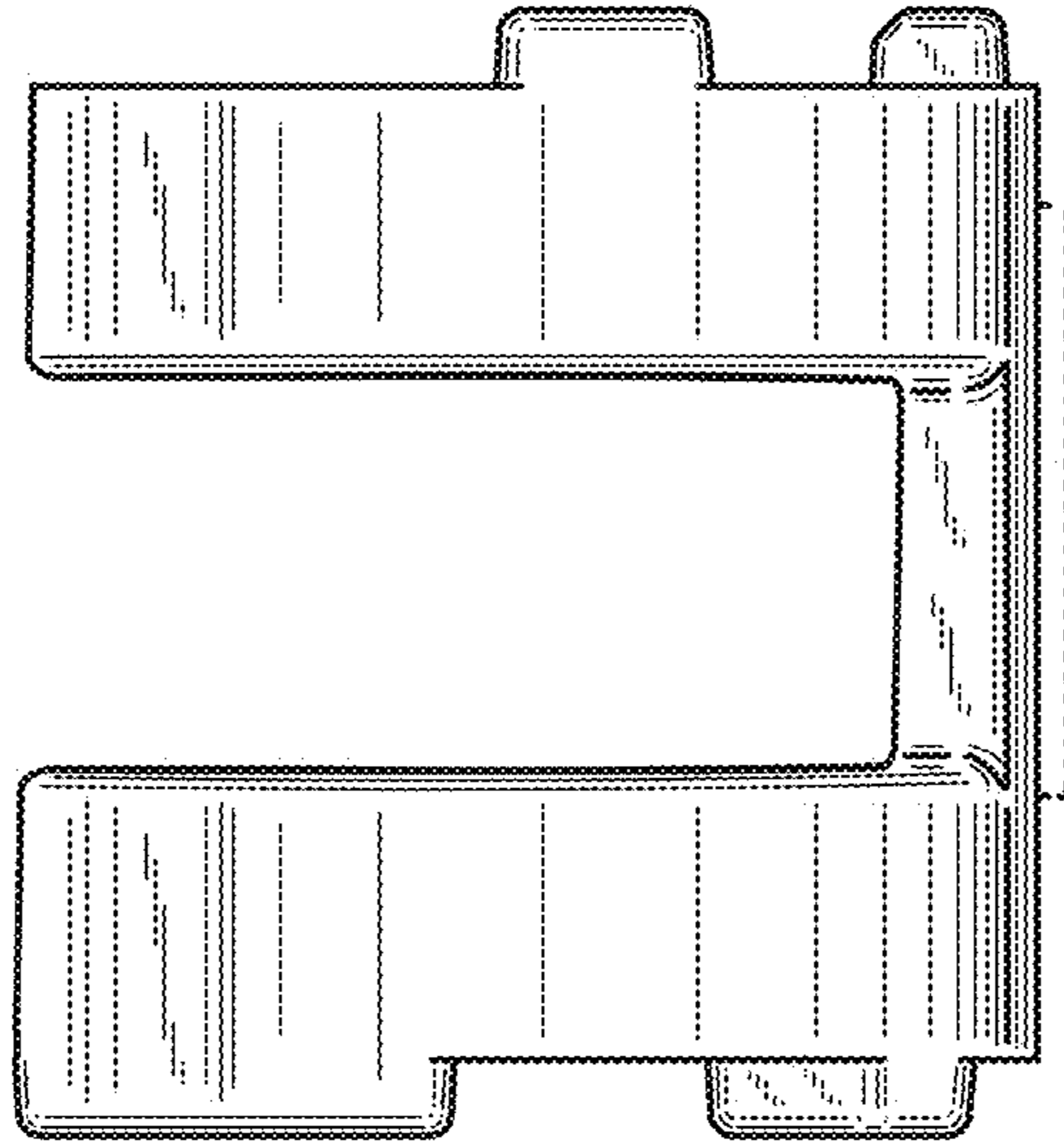


Fig. 4

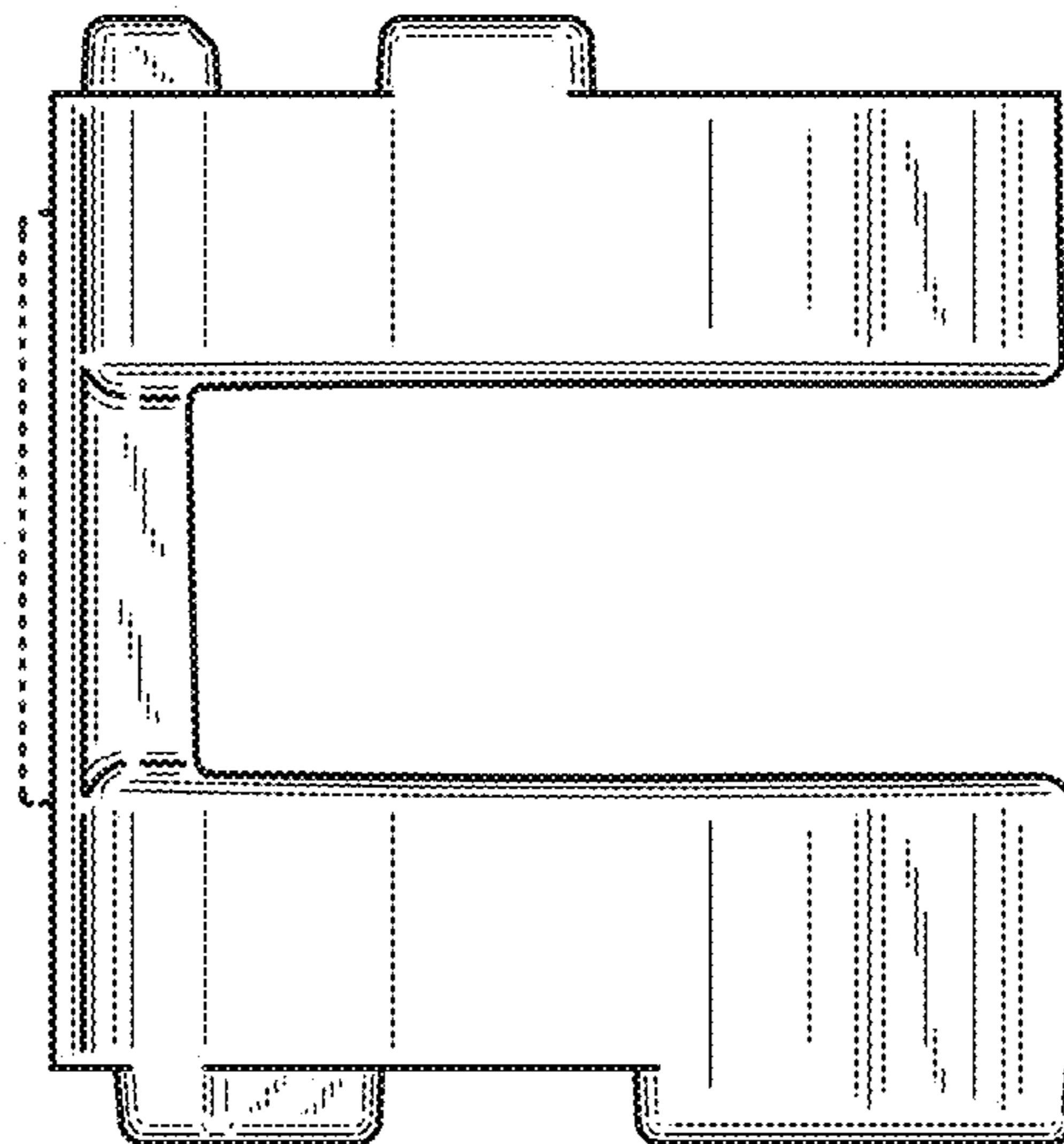


Fig. 5

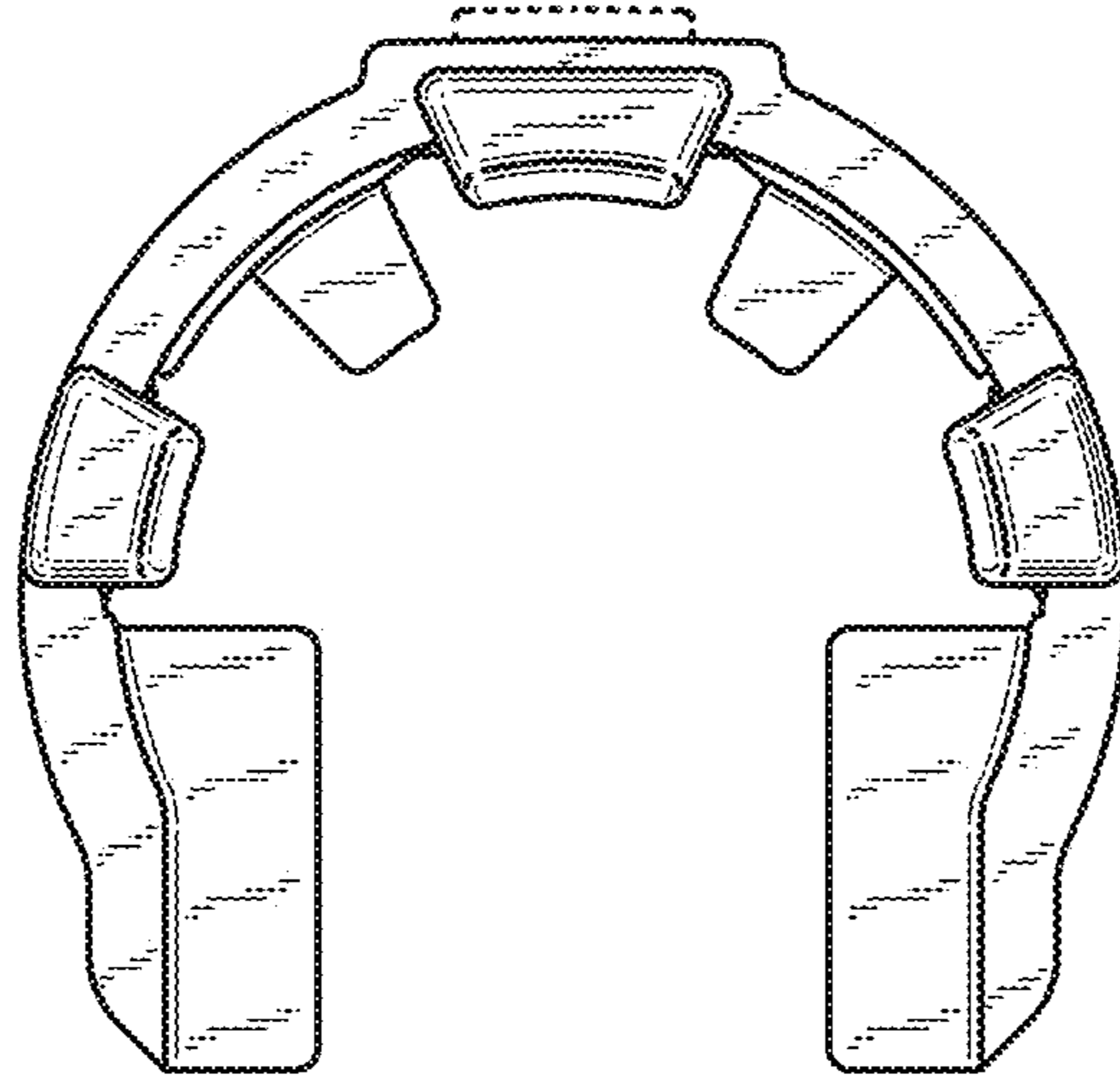


Fig. 6

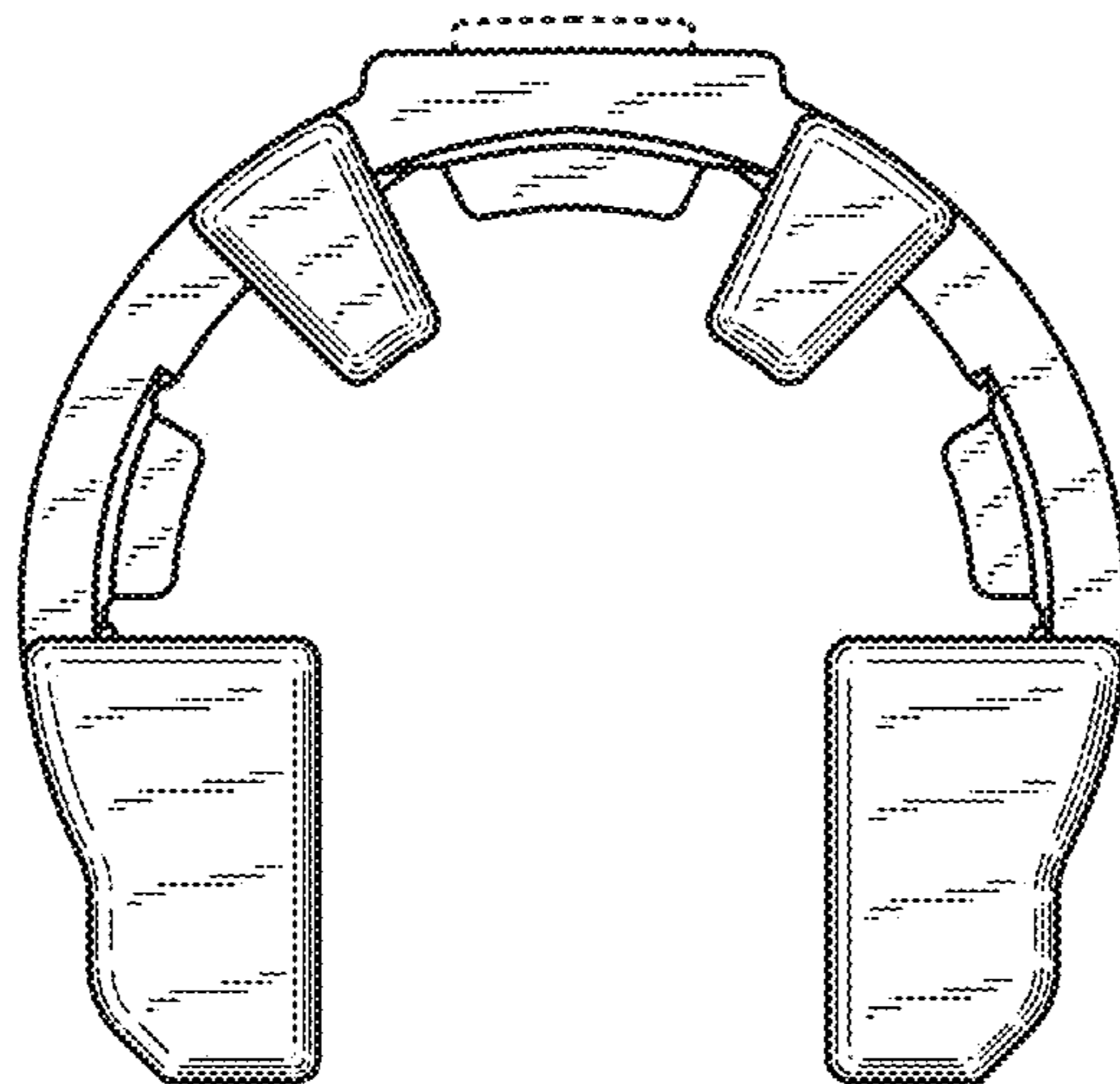


Fig. 7