



US00D895773S

(12) **United States Design Patent** (10) **Patent No.:** **US D895,773 S**  
**Reilly** (45) **Date of Patent:** **\*\* Sep. 8, 2020**

(54) **CHECK VALVE**

(71) Applicant: **Reflex Instruments Asia Pacific PTY LTD**, Balcatta (AU)

(72) Inventor: **James Barry Reilly**, Balcatta (AU)

(73) Assignee: **Reflex Instruments Asia Pacific PTY LTD**, Balcattta (AU)

(\*\*) Term: **15 Years**

(21) Appl. No.: **29/643,440**

(22) Filed: **Apr. 9, 2018**

(30) **Foreign Application Priority Data**

Oct. 10, 2017 (AU) ..... 201716203

(51) **LOC (12) Cl.** ..... **23-01**

(52) **U.S. Cl.**  
USPC ..... **D23/237**

(58) **Field of Classification Search**  
USPC ..... D23/233–237, 241–249; 137/98, 100,  
137/597, 625.68, 7; 166/373, 325, 386,  
166/321, 334.4  
CPC ..... F16K 27/0209; F16K 15/00; F16K 1/38;  
F16K 31/0693; F16K 39/022; F16K  
11/00; G05D 23/136; G05D 23/13; G05D  
16/024; G05D 23/1353; E21B 10/38;  
E21B 21/10  
See application file for complete search history.

(56) **References Cited**

U.S. PATENT DOCUMENTS

D260,280 S *	8/1981	Campbell	.....	D23/237
D602,564 S *	10/2009	Nimberger	.....	D23/233
7,814,982 B2 *	10/2010	Moyes	.....	E21B 34/063 166/321
8,668,015 B2 *	3/2014	Leeb	.....	E21B 21/10 166/325
D776,791 S *	1/2017	Ito	.....	D23/237
9,745,828 B2 *	8/2017	Telfer	.....	E21B 21/103
9,970,262 B2 *	5/2018	Werries	.....	E21B 34/12
10,184,314 B1 *	1/2019	Bair	.....	E21B 34/06

\* cited by examiner

*Primary Examiner* — Gino Colan

(74) *Attorney, Agent, or Firm* — Felix L. Fischer

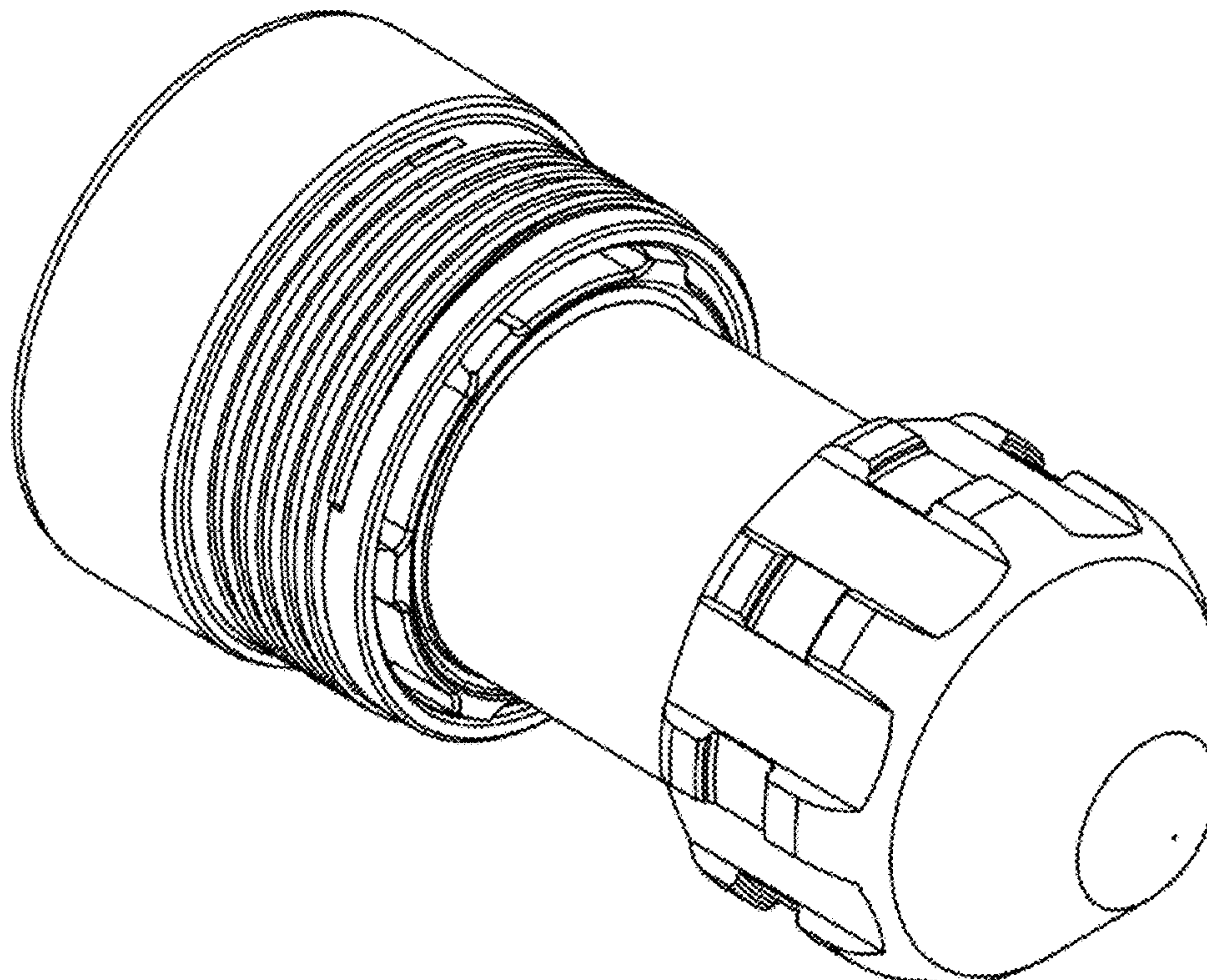
(57) **CLAIM**

The ornamental design for a check valve, as shown and described.

**DESCRIPTION**

FIG. 1 is a perspective view of a check valve showing my new design;  
FIG. 2 is a side elevation view thereof;  
FIG. 3 is a front elevation view thereof; and,  
FIG. 4 is a rear elevation view thereof, shown in larger scale.  
The broken lines showing of elements within the outer cylindrical sleeve in FIG. 4 are for the purpose of illustrating portions of the check valve and form no part of the claimed design.

**1 Claim, 3 Drawing Sheets**



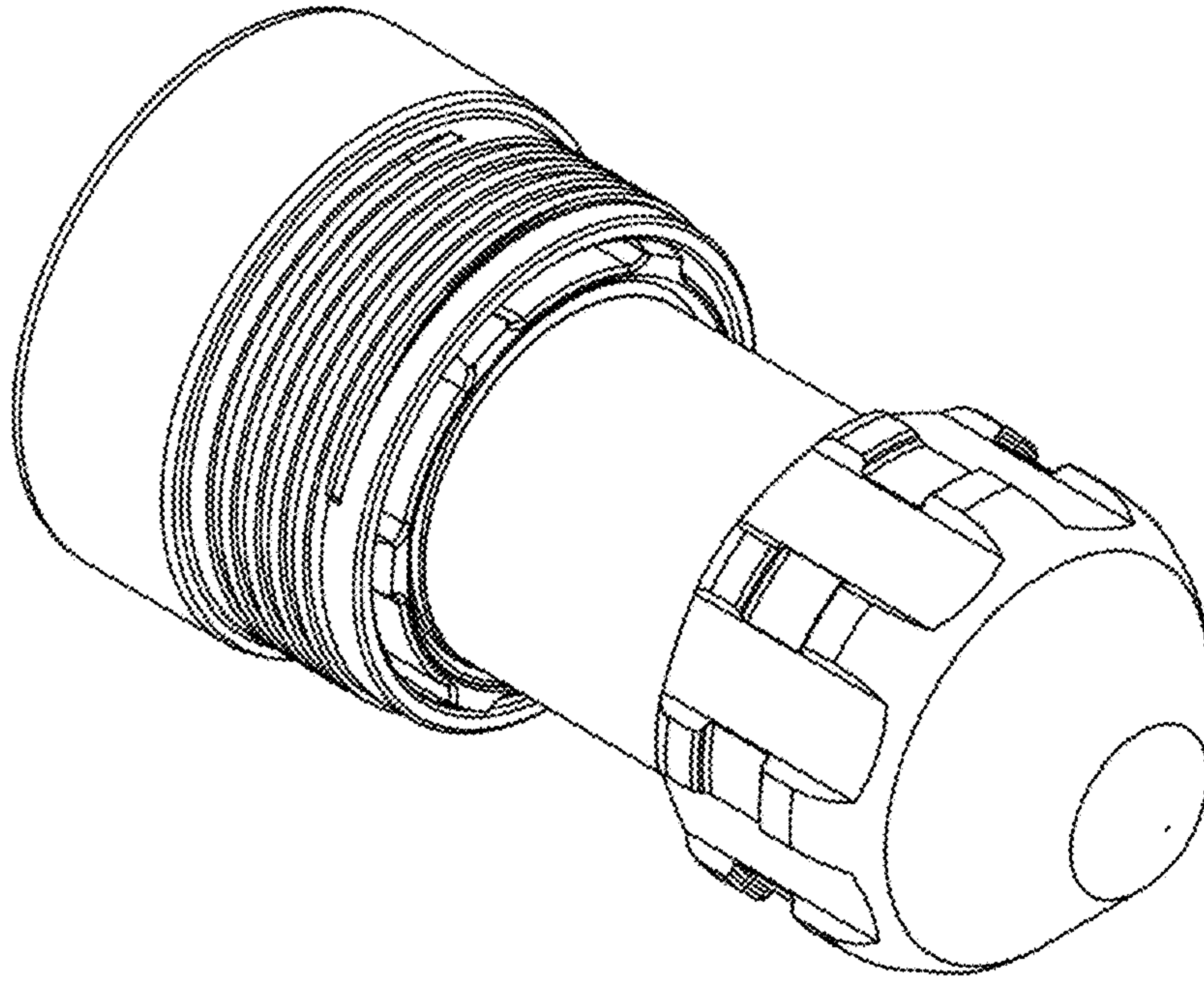


FIG. 1

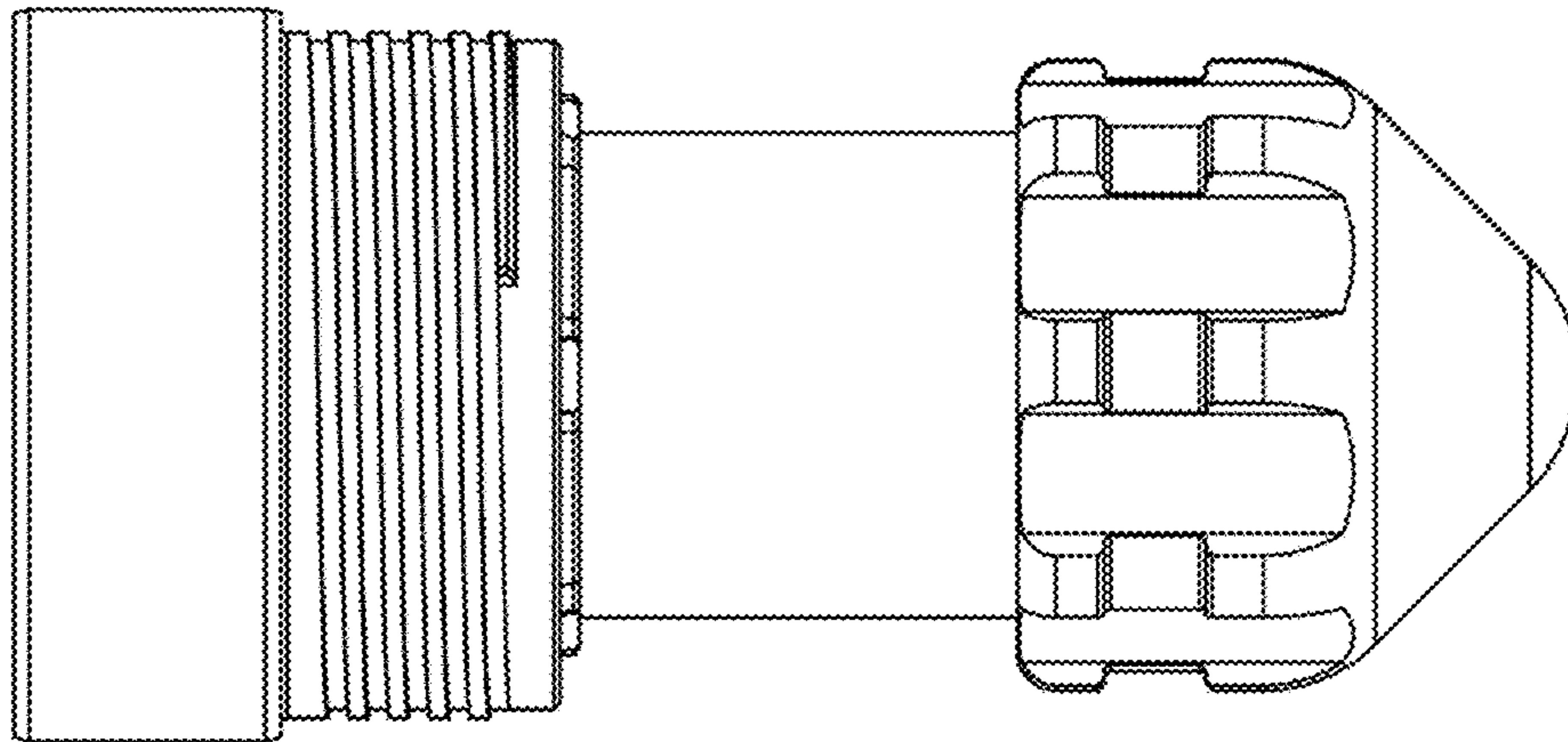


FIG. 2

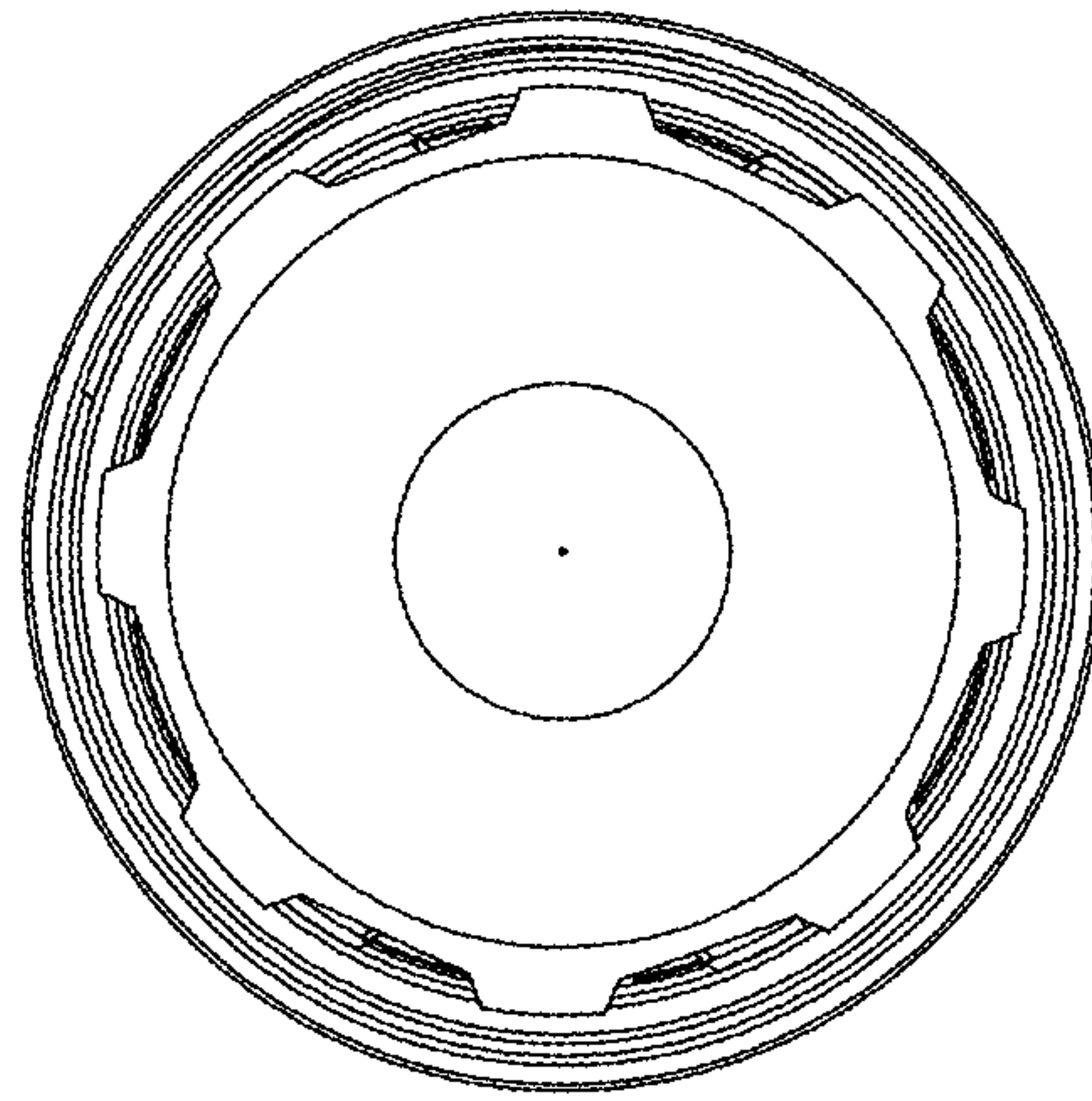


FIG. 3



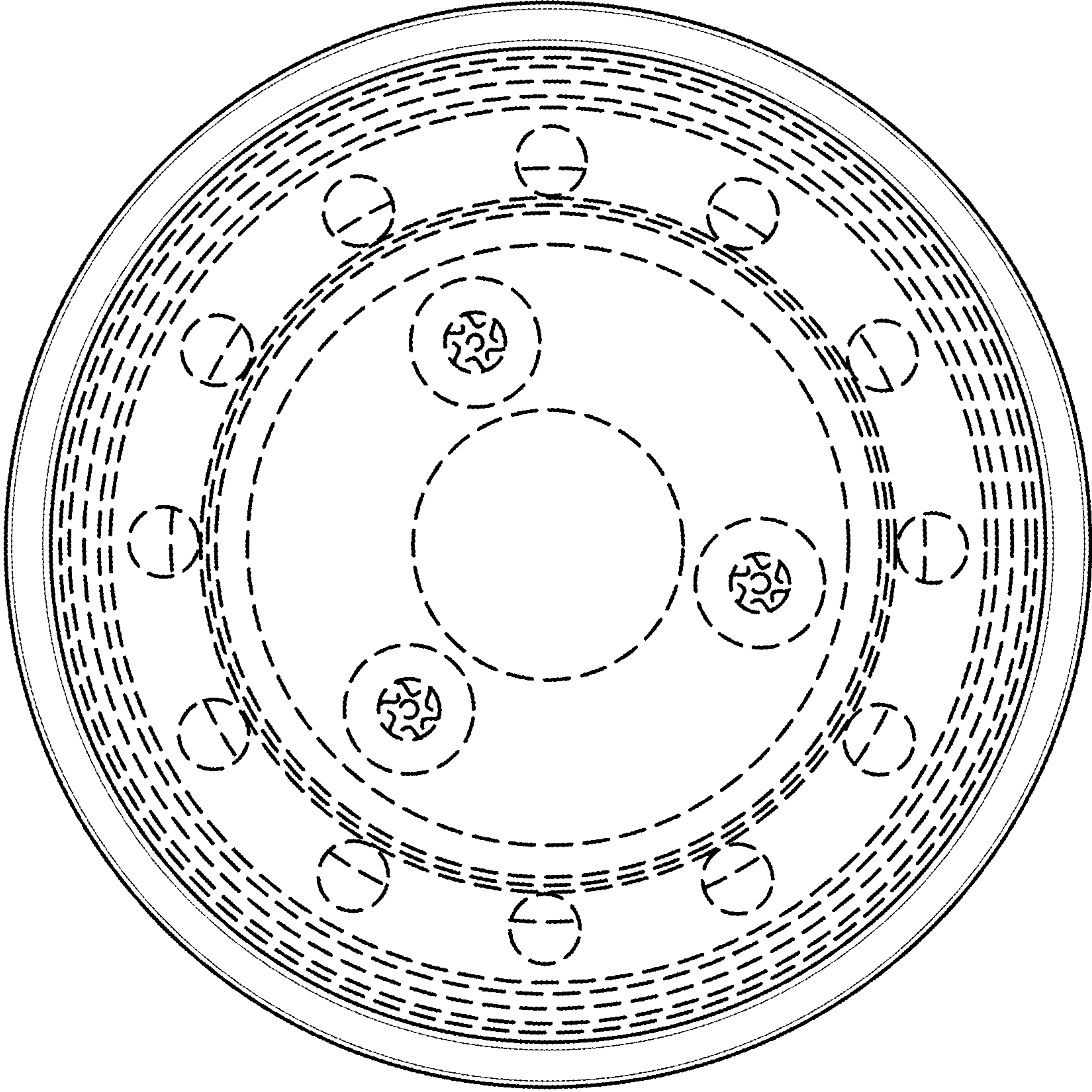


FIG. 4