



US00D895771S

(12) **United States Design Patent**  
**Guan**

(10) **Patent No.:** **US D895,771 S**

(45) **Date of Patent:** **\*\* Sep. 8, 2020**

(54) **SIDE MOUNT ACTUATOR WITH PUSH BUTTON**

(71) Applicant: **Zhejiang Kexin Industry Co., Ltd,**  
Wenzhou (CN)

(72) Inventor: **Jianchao Guan,** Wenzhou (CN)

(\*\*) Term: **15 Years**

(21) Appl. No.: **29/683,932**

(22) Filed: **Mar. 18, 2019**

(30) **Foreign Application Priority Data**

Sep. 28, 2018 (CN) ..... 2018 3 0548281

(51) **LOC (12) Cl.** ..... **23-01**

(52) **U.S. Cl.**  
USPC ..... **D23/233; D23/309**

(58) **Field of Classification Search**  
USPC ..... D13/158, 166, 173, 199; D10/49, 85;  
D15/199; D23/233–237, 244–249, 309  
CPC .... F16K 37/0075; F16K 31/055; F01D 17/10;  
E03D 5/105  
See application file for complete search history.

(56) **References Cited**

**U.S. PATENT DOCUMENTS**

D370,057 S *	5/1996	Muderlak	.....	D23/309
6,560,790 B2 *	5/2003	Saar	.....	E03D 5/105 137/110
D480,450 S *	10/2003	Saadi	.....	D23/249
D490,508 S *	5/2004	Toyohara	.....	D23/309
6,845,524 B2 *	1/2005	Hwang	.....	E03D 3/06 251/40
7,188,822 B2 *	3/2007	Marcichow	.....	E03D 3/02 251/129.01
D539,869 S *	4/2007	Lopez	.....	D23/235
7,253,536 B2 *	8/2007	Fujimoto	.....	E03D 3/00 290/43
D603,016 S *	10/2009	Matsumura	.....	D23/233
D612,014 S *	3/2010	Parsons	.....	D23/233
D627,037 S *	11/2010	Glasser	.....	D10/49

D635,219 S *	3/2011	Funari	.....	D23/233
D754,292 S *	4/2016	Mangold	.....	D23/233
9,528,253 B2 *	12/2016	Huang	.....	E03D 5/105
D778,179 S *	2/2017	Mangold	.....	D10/49
9,644,759 B2 *	5/2017	Wilson	.....	E03D 5/092
2003/0178591 A1 *	9/2003	Hwang	.....	F16K 31/3855 251/26
2004/0026642 A1 *	2/2004	Maercovich	.....	F16K 31/404 251/129.04

(Continued)

**OTHER PUBLICATIONS**

NPL 1—Google search of Automatic sensor Toilet Flush Valve before:Mar. 18, 2018, 1pg. [https://www.google.com/search?q=Automatic+sensor+Toilet+Flush+Valve+before%3A2018-03-18&tbm=isch&ved=2ahUKewi6xY-E6dnpAhVJZ98KHW3CDkcQ2-cCegQIABAA&sq=Automatic+sensor+Toilet+Flush+Valve+before%3A2018-03-18&gs\\_lcp=CgNpbWcQA1CPkwZY9eM.\\*](https://www.google.com/search?q=Automatic+sensor+Toilet+Flush+Valve+before%3A2018-03-18&tbm=isch&ved=2ahUKewi6xY-E6dnpAhVJZ98KHW3CDkcQ2-cCegQIABAA&sq=Automatic+sensor+Toilet+Flush+Valve+before%3A2018-03-18&gs_lcp=CgNpbWcQA1CPkwZY9eM.*)

*Primary Examiner* — Selina Sikder

(74) *Attorney, Agent, or Firm* — ZANIP

(57) **CLAIM**

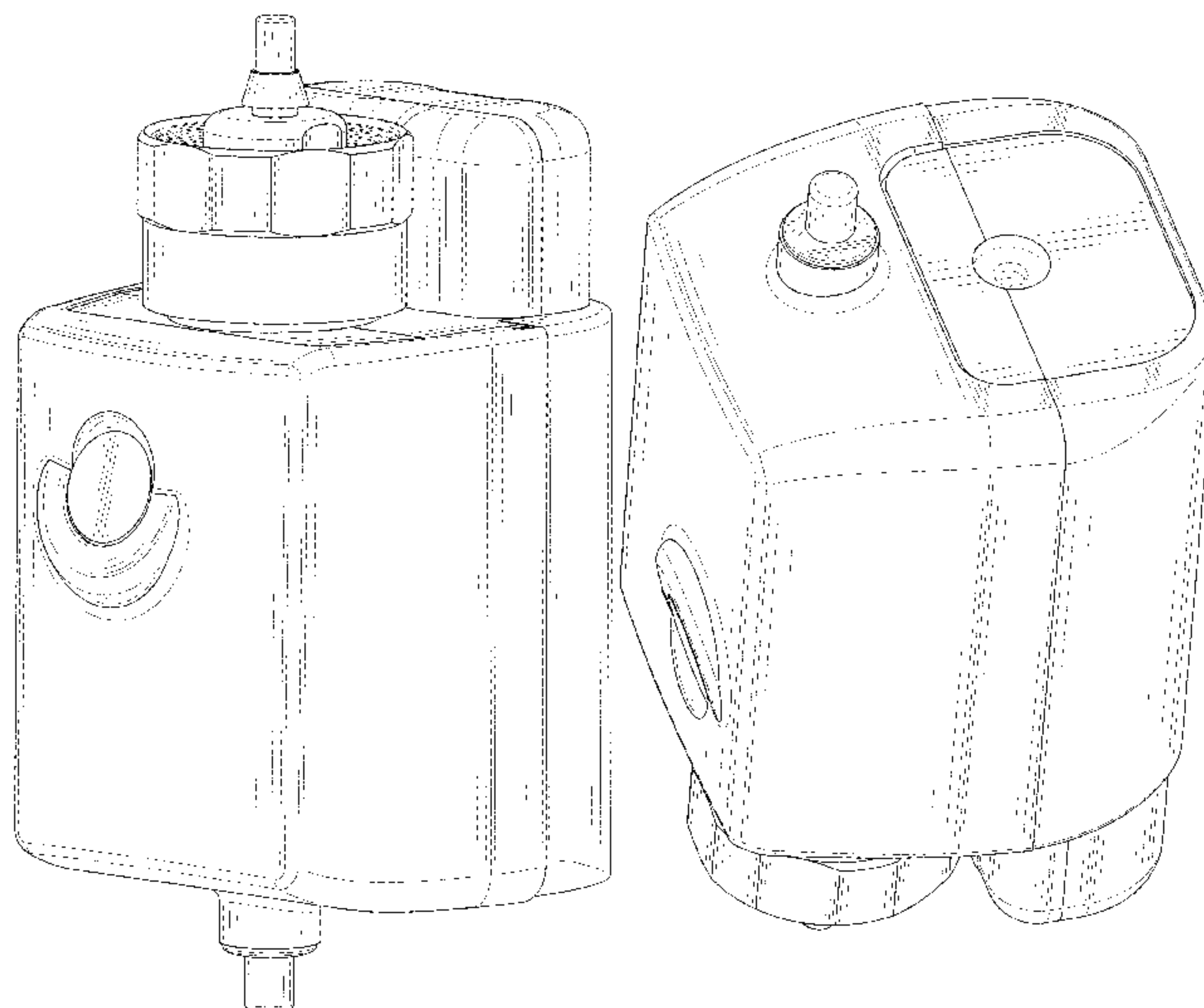
The ornamental design for a side mount actuator with push button, as shown and described.

**DESCRIPTION**

FIG. 1 is a first perspective view of a side mount actuator with push button showing my design;  
FIG. 2 is a second perspective view thereof;  
FIG. 3 is a front view thereof;  
FIG. 4 is a back view thereof;  
FIG. 5 is a left side view thereof;  
FIG. 6 is a right side view thereof;  
FIG. 7 is a top view thereof; and,  
FIG. 8 is a bottom view thereof.

The dashed or broken lines shown in the drawings depict portions of the side mount actuator with push button in which the design is embodied that form no part of the claimed design.

**1 Claim, 8 Drawing Sheets**



(56)

**References Cited**

U.S. PATENT DOCUMENTS

2008/0087856 A1\* 4/2008 Wilson ..... E03D 5/105  
251/129.03

\* cited by examiner

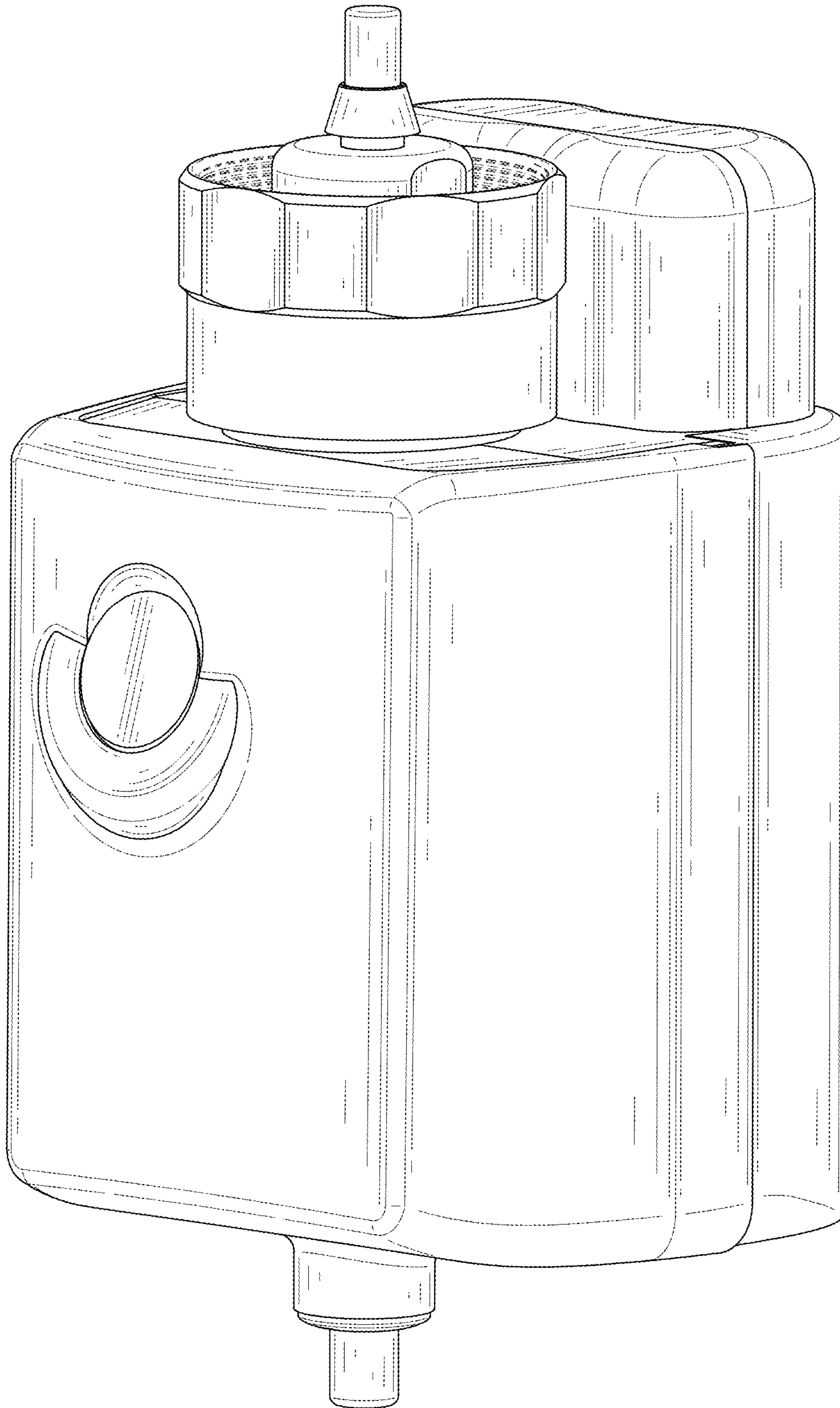


FIG. 1

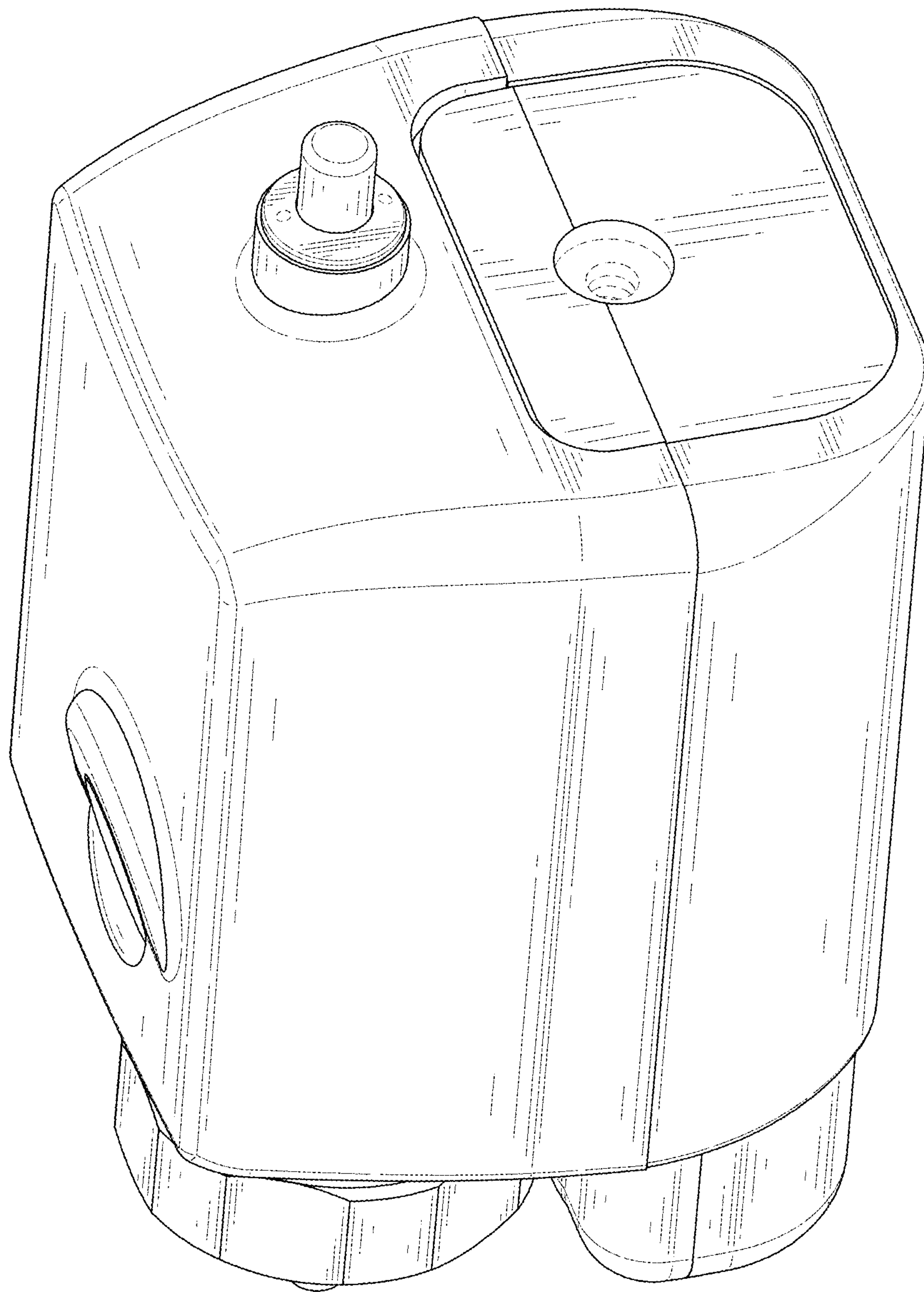


FIG. 2



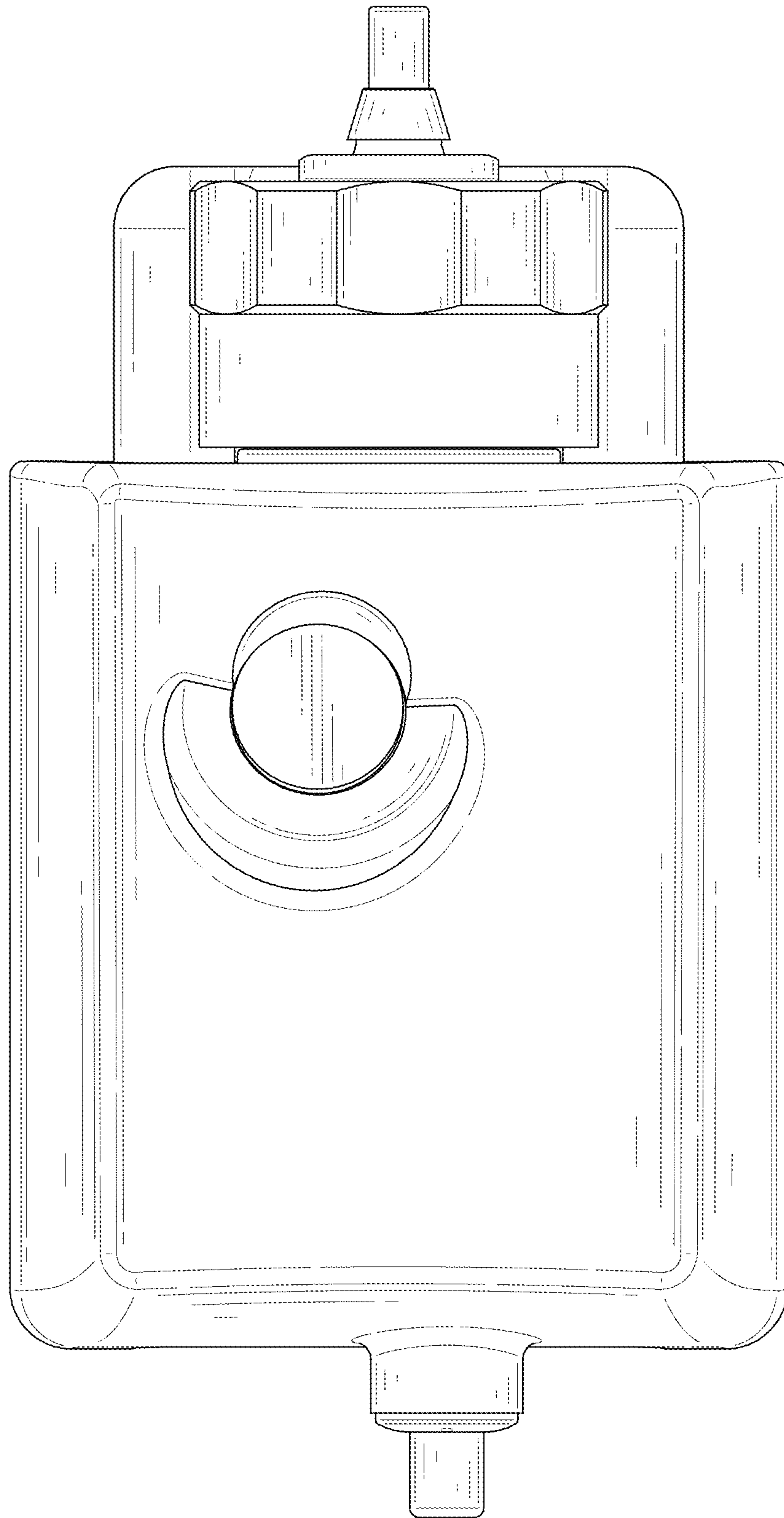


FIG. 3

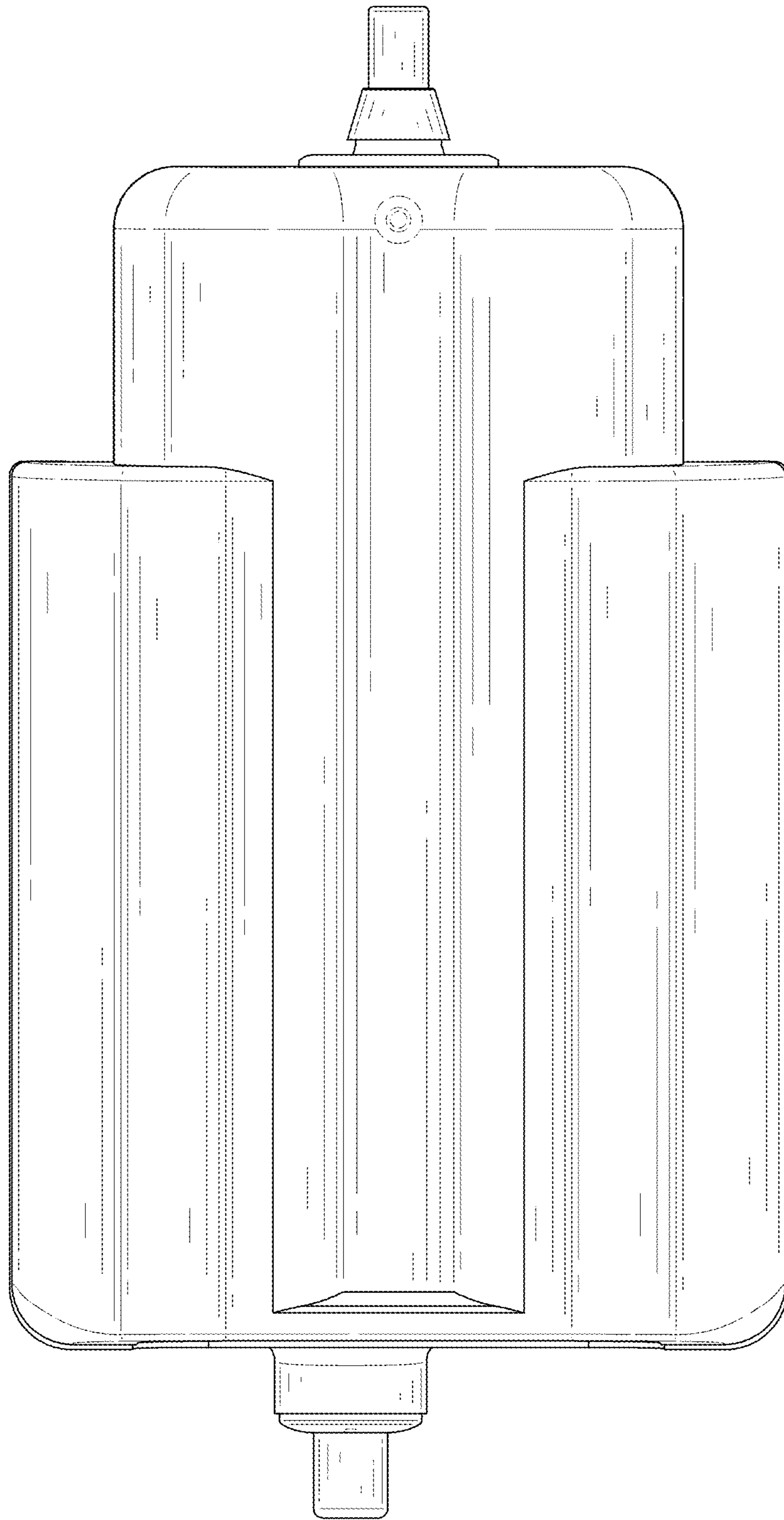


FIG. 4

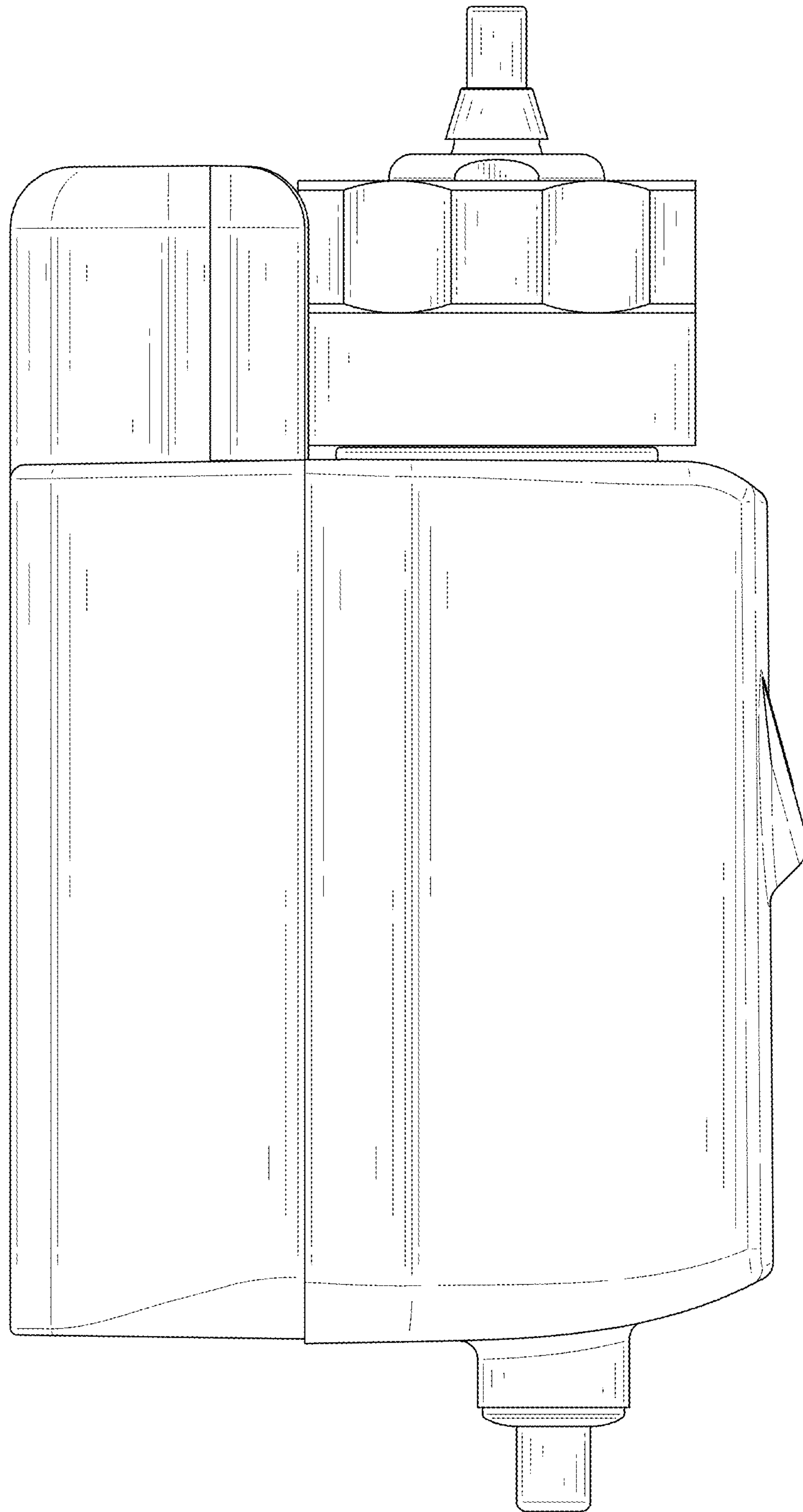


FIG. 5

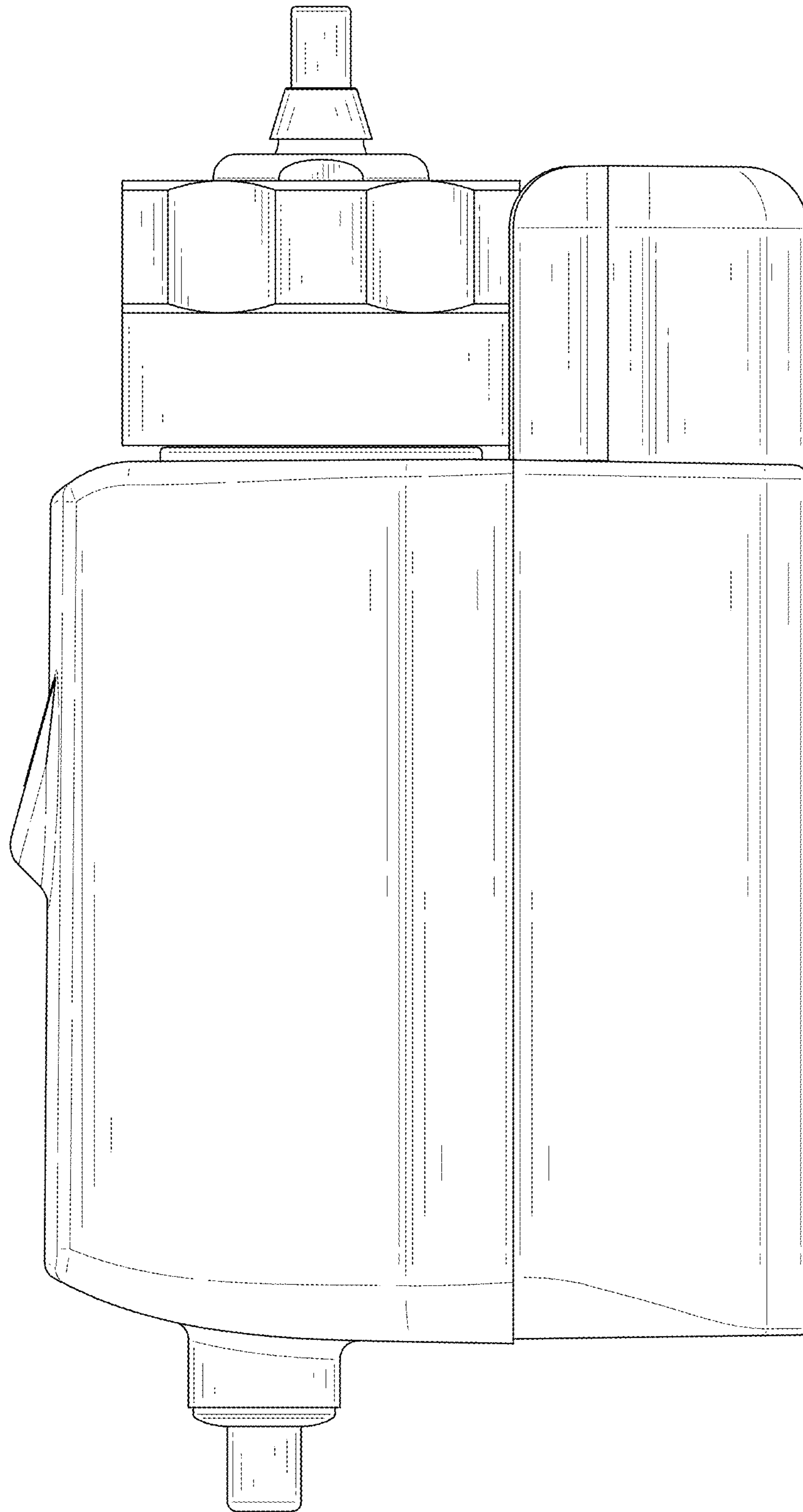


FIG. 6



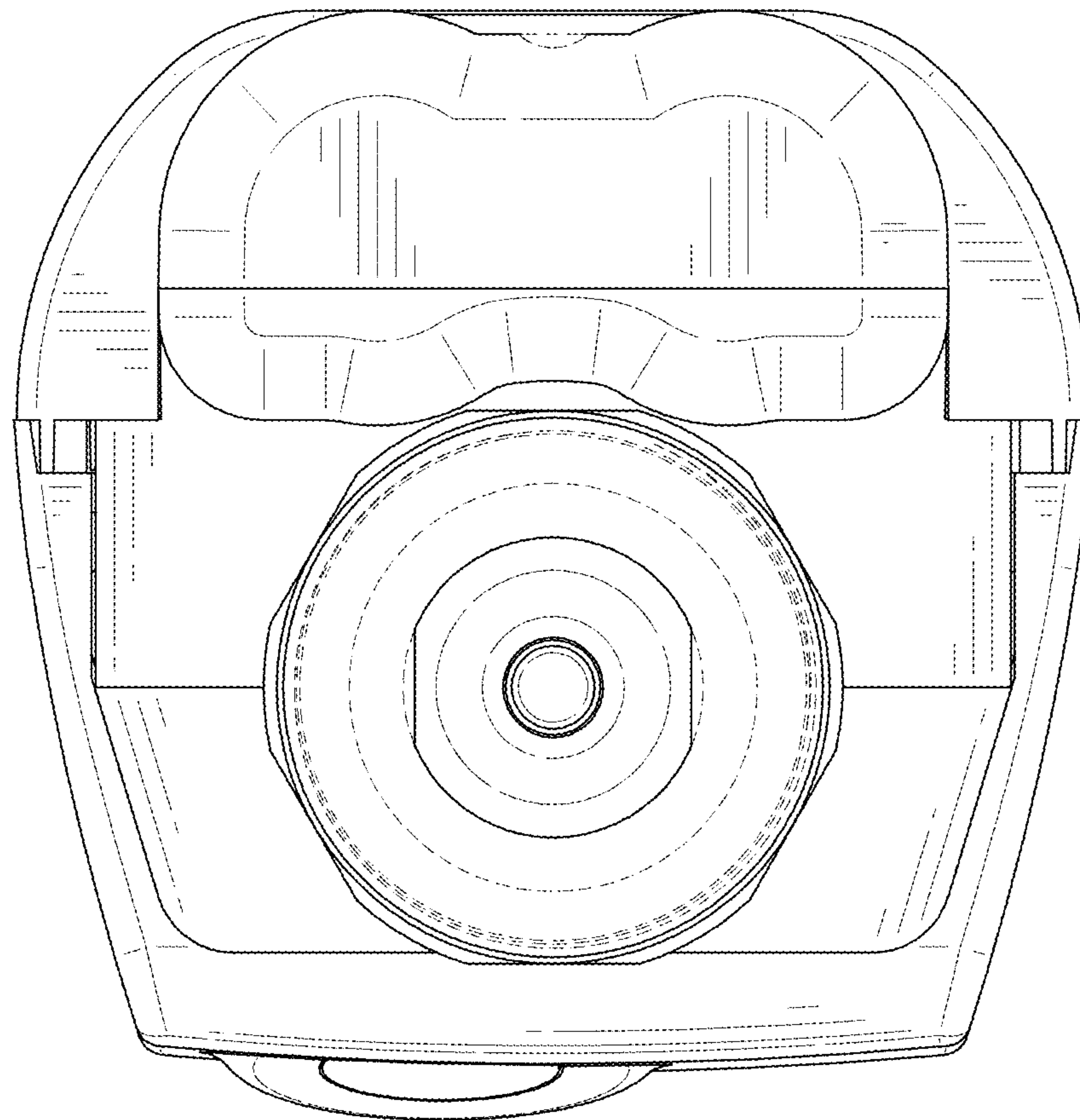


FIG. 7

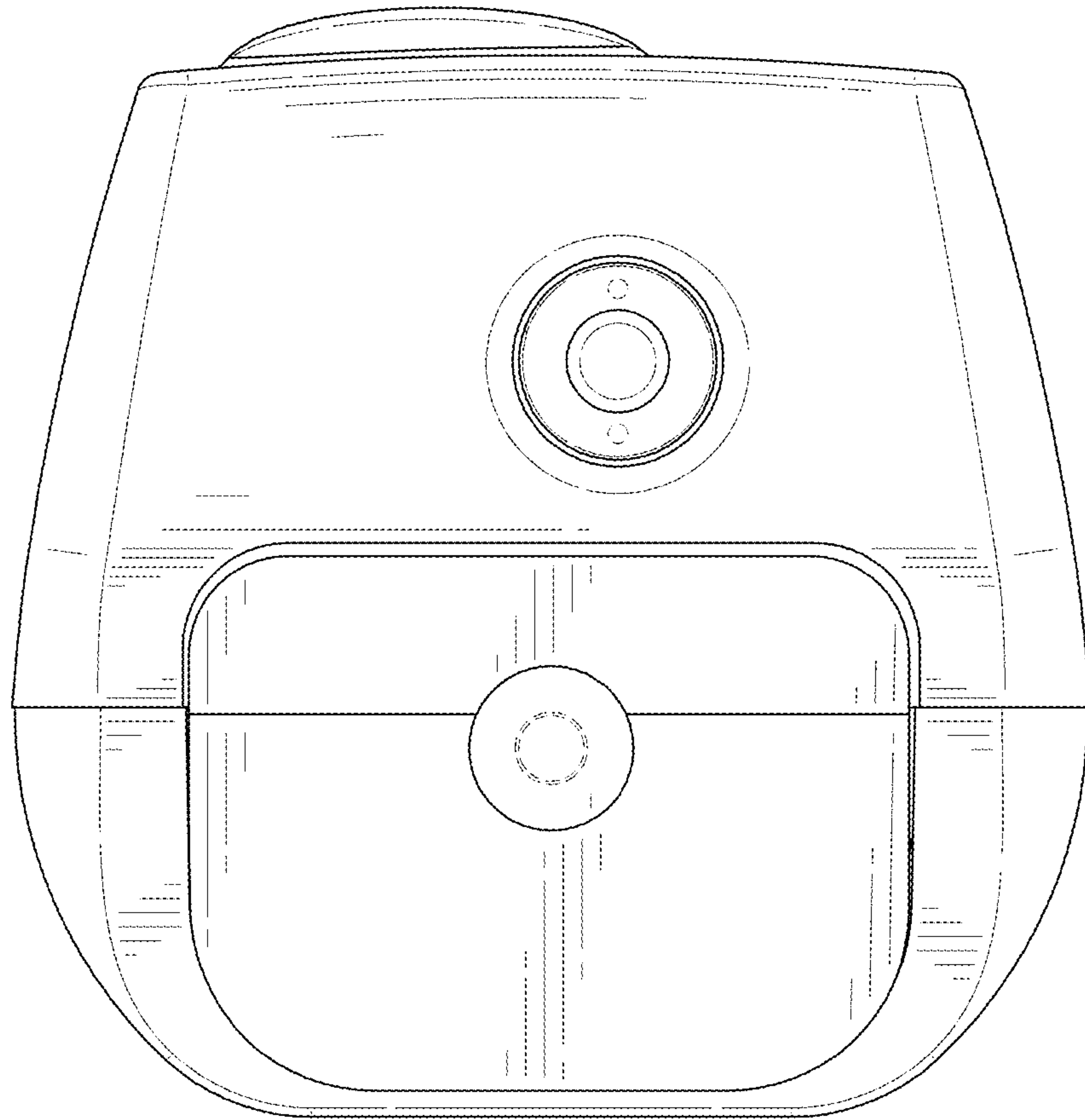


FIG. 8