



US00D895770S

(12) **United States Design Patent** (10) **Patent No.:** **US D895,770 S**
Bian (45) **Date of Patent:** **** Sep. 8, 2020**

- (54) **SANITARY OUTLET VALVE**
- (71) Applicant: **Neoperl GmbH**, Mullheim (DE)
- (72) Inventor: **Yichao Bian**, Monheim am Rhein (DE)
- (73) Assignee: **Neoperl GmbH**, Müllheim (DE)
- (**) Term: **15 Years**
- (21) Appl. No.: **29/657,254**
- (22) Filed: **Jul. 20, 2018**

D599,434 S	9/2009	Stenberg	
D602,564 S	10/2009	Nimberger	
D606,167 S	12/2009	Nimberger	
D647,596 S	10/2011	Bonnell	
D692,534 S	10/2013	Fangmeier	
D707,795 S	6/2014	Huang	
D721,789 S	1/2015	Lu	
D725,747 S	3/2015	Alexander et al.	
D728,072 S	4/2015	Alexander et al.	
D739,919 S	9/2015	Alexander et al.	
9,353,742 B2	5/2016	Herman et al.	
9,611,980 B2	4/2017	Herman et al.	
D826,381 S *	8/2018	Bian	D23/233
D849,890 S *	5/2019	Tempel	D23/233

* cited by examiner

Related U.S. Application Data

- (62) Division of application No. 35/501,892, filed on Oct. 31, 2016 (U.S. filing date under 35 U.S.C. 384), and having an international filing date of Oct. 31, 2016, now Pat. No. Des. 826,381.
- (51) **LOC (12) Cl.** **23-01**
- (52) **U.S. Cl.**
USPC **D23/233**
CPC **F16K 1/00** (2013.01)
- (58) **Field of Classification Search**
USPC D23/233–269; D15/5, 7;
137/15.04–15.08, 7, 515, 843, 859, 332,
137/529
CPC . F16K 1/00; F16K 15/00; F16K 15/18; F16K
15/026; F16K 15/044
See application file for complete search history.

(56) **References Cited**

U.S. PATENT DOCUMENTS

D370,963 S	6/1996	Daansen
D576,704 S	9/2008	Gilcher
D594,530 S	6/2009	Bonnell

Primary Examiner — Richard E Chilcot

(74) *Attorney, Agent, or Firm* — Volpe and Koenig, P.C.

(57) **CLAIM**

The ornamental design for a sanitary outlet valve, as shown and described.

DESCRIPTION

FIG. 1 is a top plan view of a sanitary outlet valve in accordance with my design;
 FIG. 2 is a top, front, left perspective view thereof;
 FIG. 3 is a bottom plan view thereof;
 FIG. 4 is a bottom, front, left perspective view thereof;
 FIG. 5 is a front elevational view thereof;
 FIG. 6 is a right side elevational view thereof;
 FIG. 7 is a rear elevational view thereof; and,
 FIG. 8 is a left side elevational view thereof.
 The broken lines shown in the figures represent portions of the sanitary outlet valve that form no part of the claimed design.

1 Claim, 8 Drawing Sheets

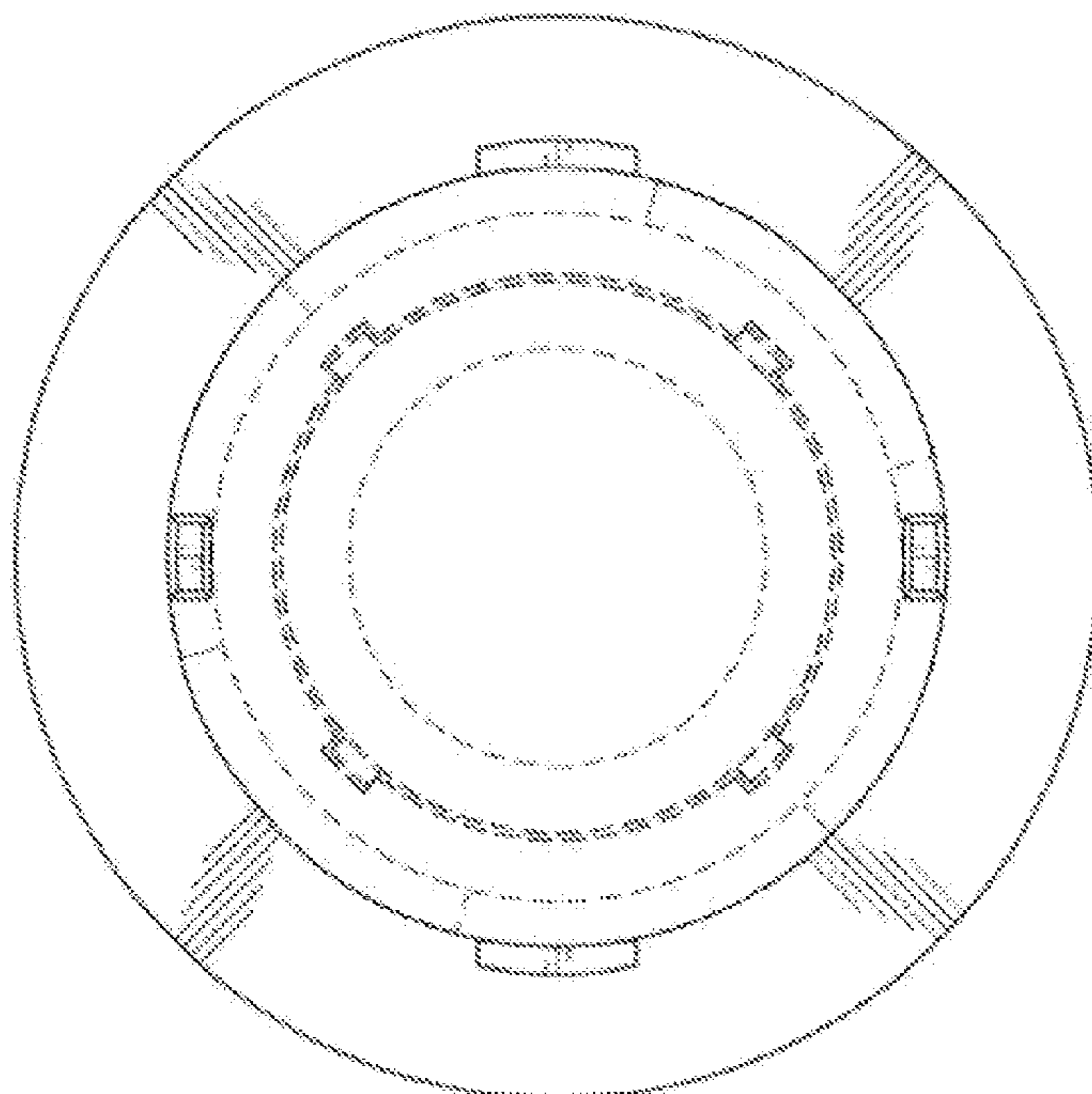


Fig. 1

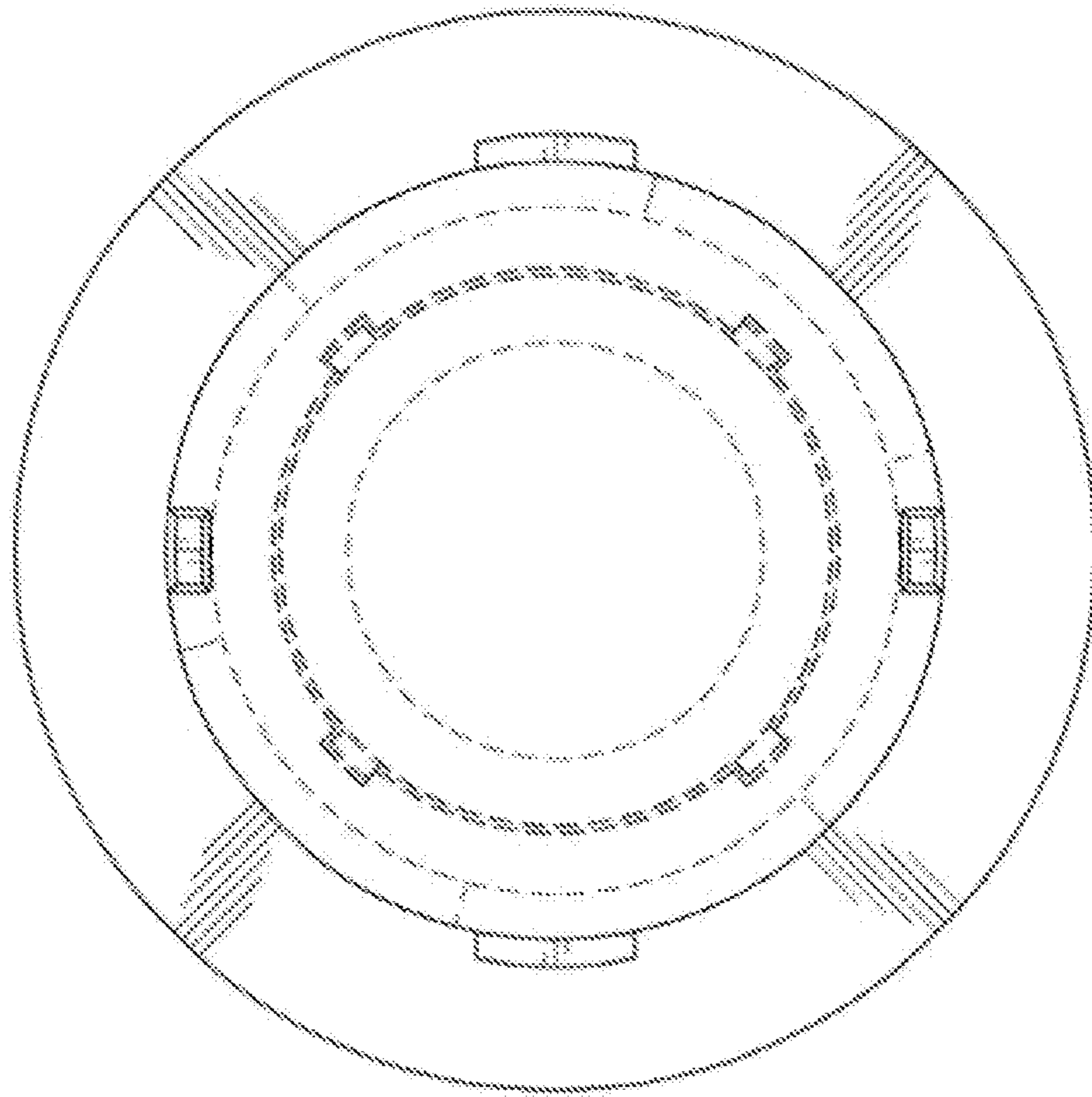


Fig. 2

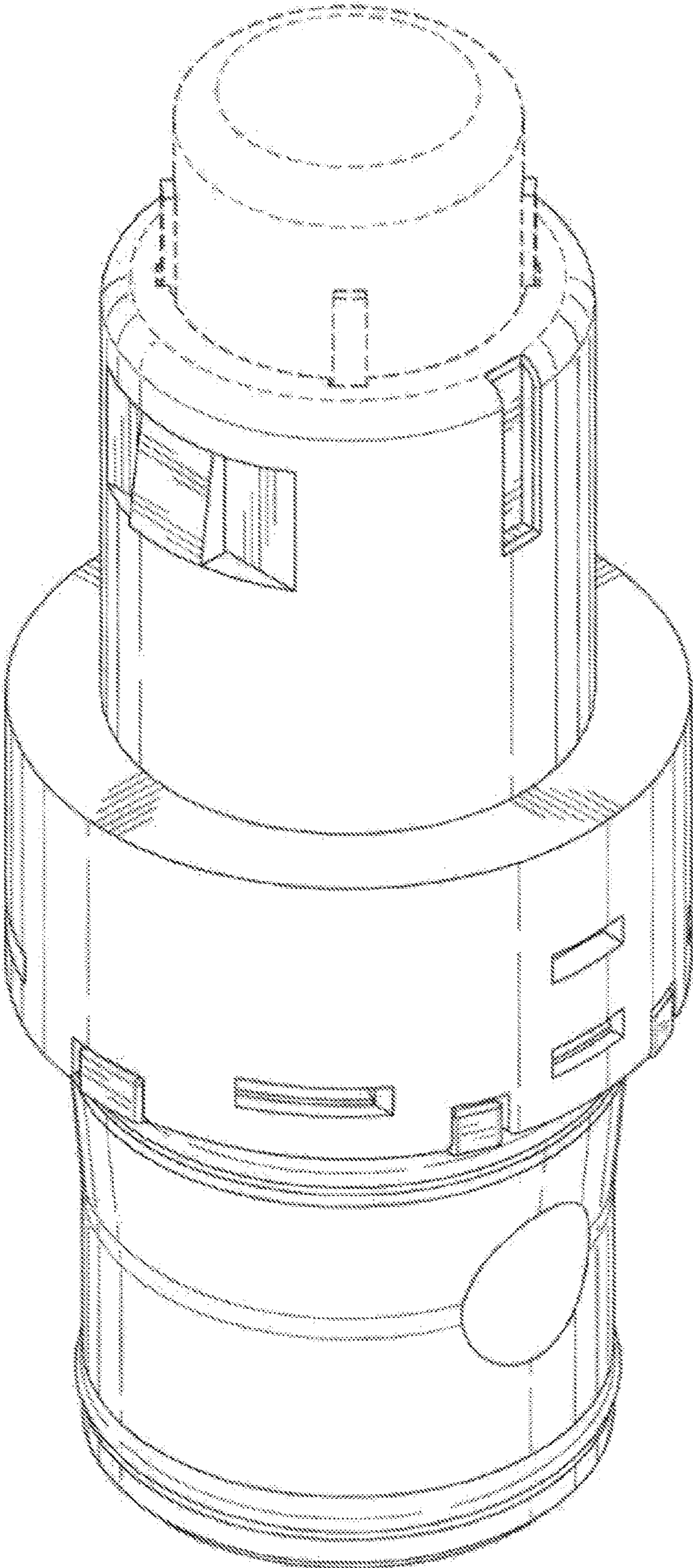


Fig. 3

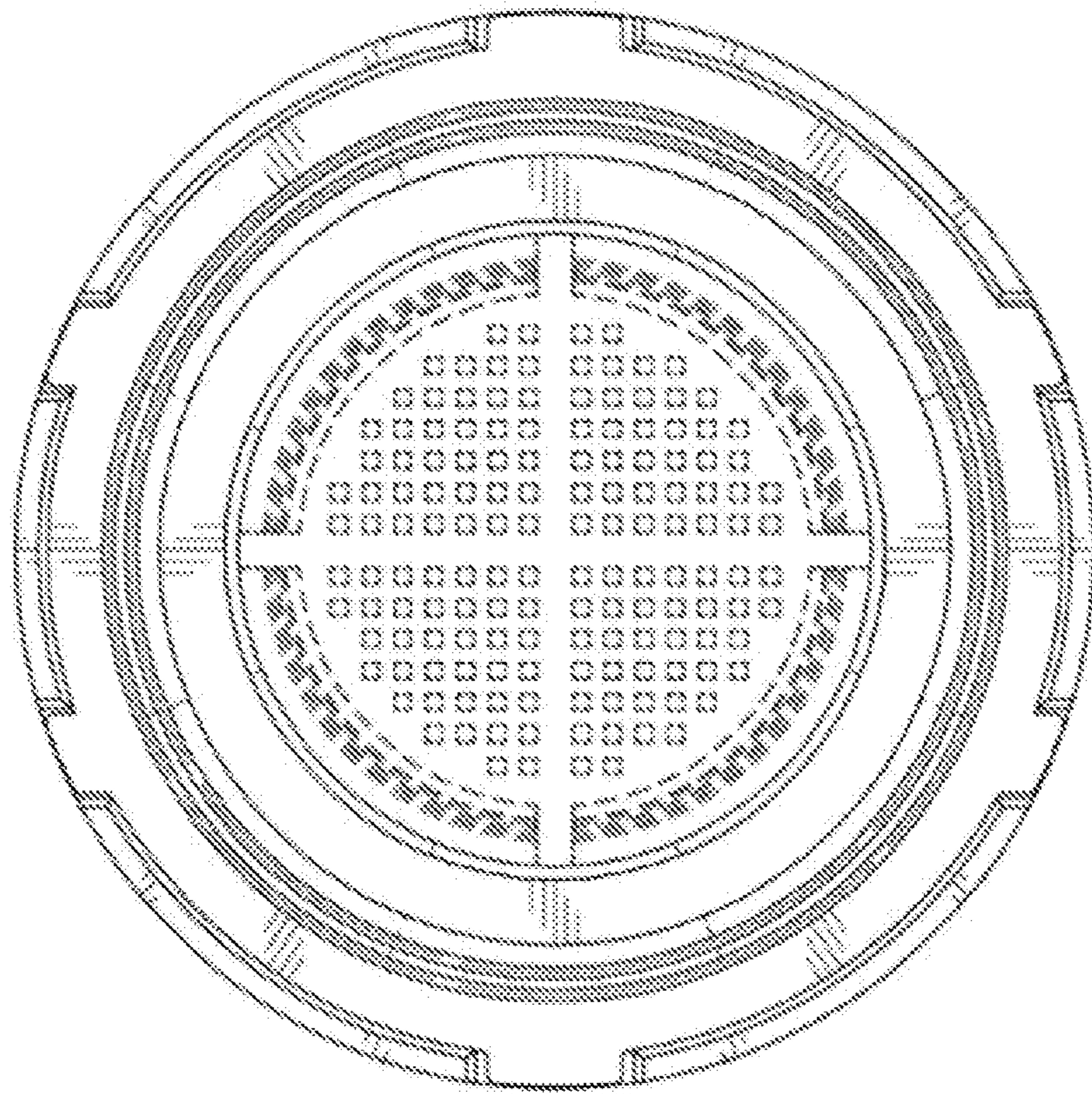


Fig. 4

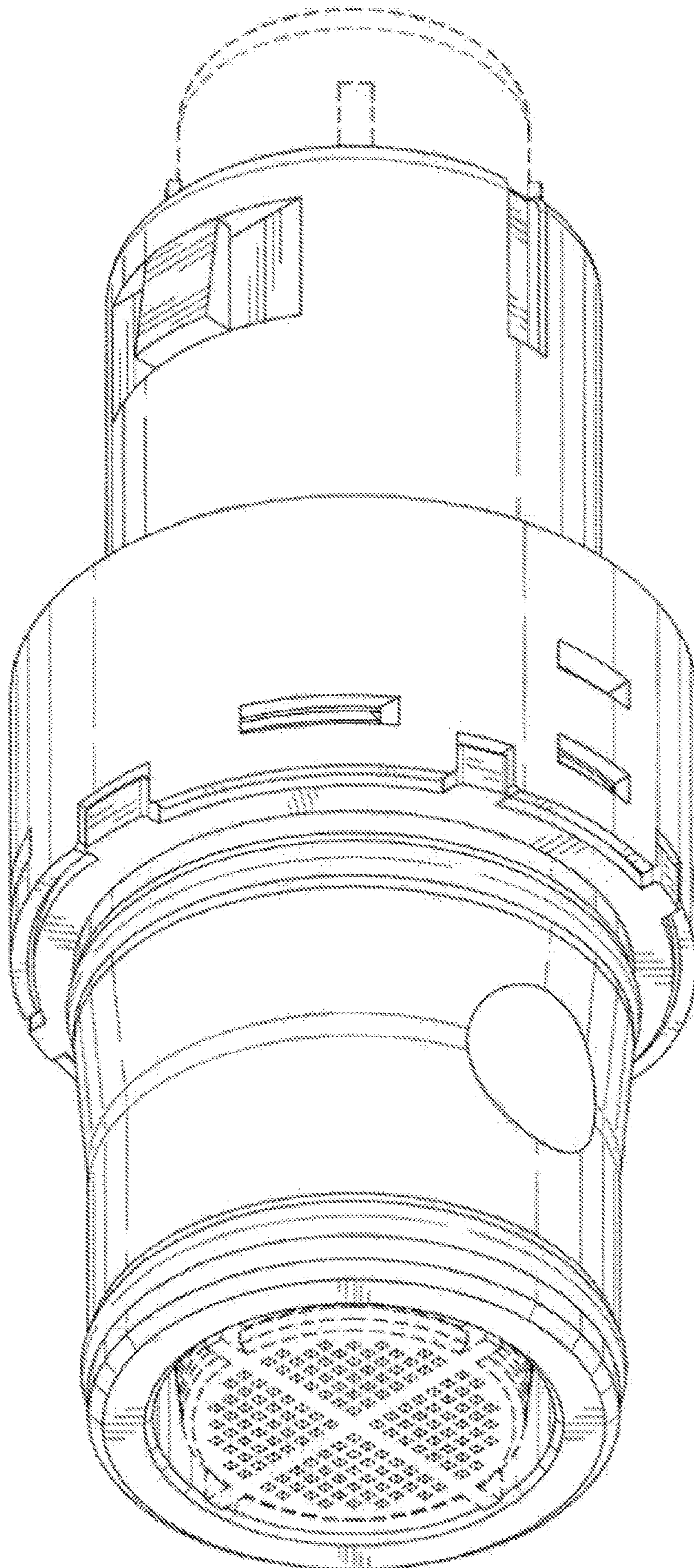


Fig. 5

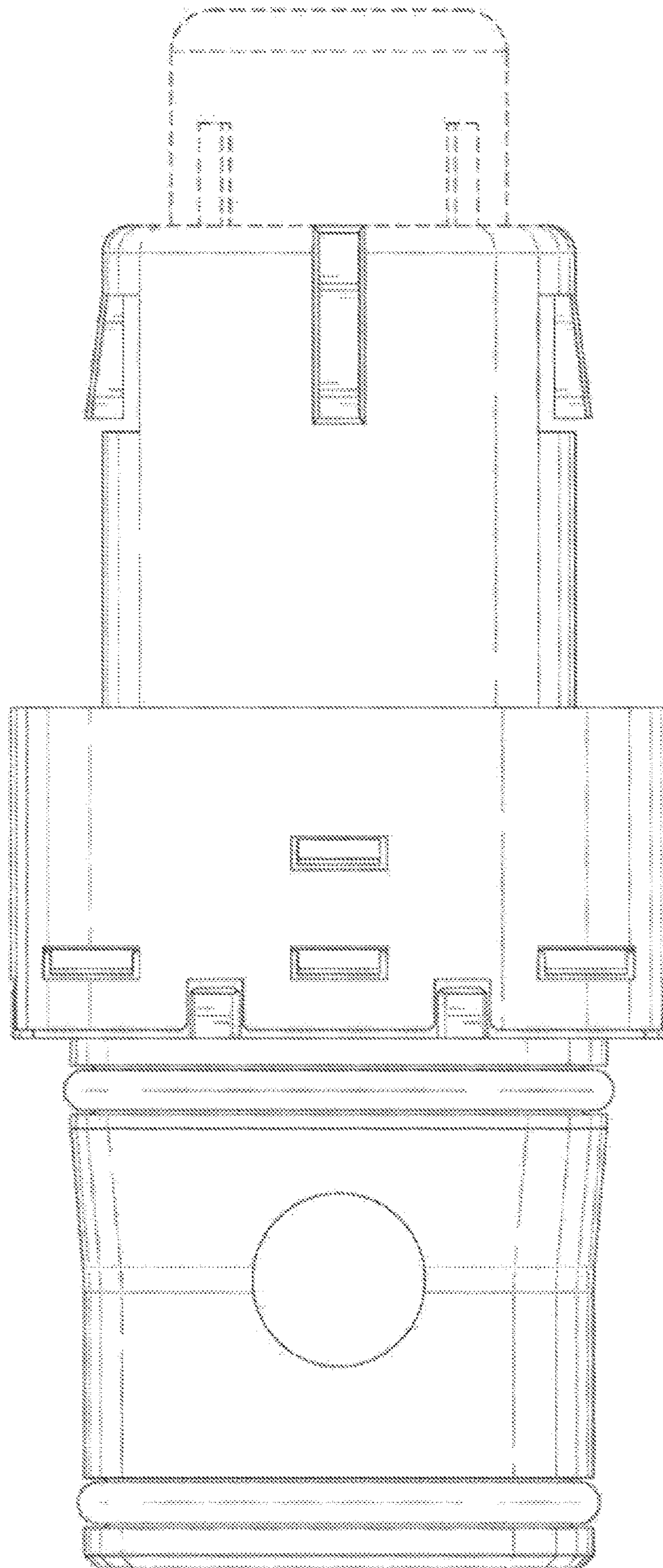


Fig. 6

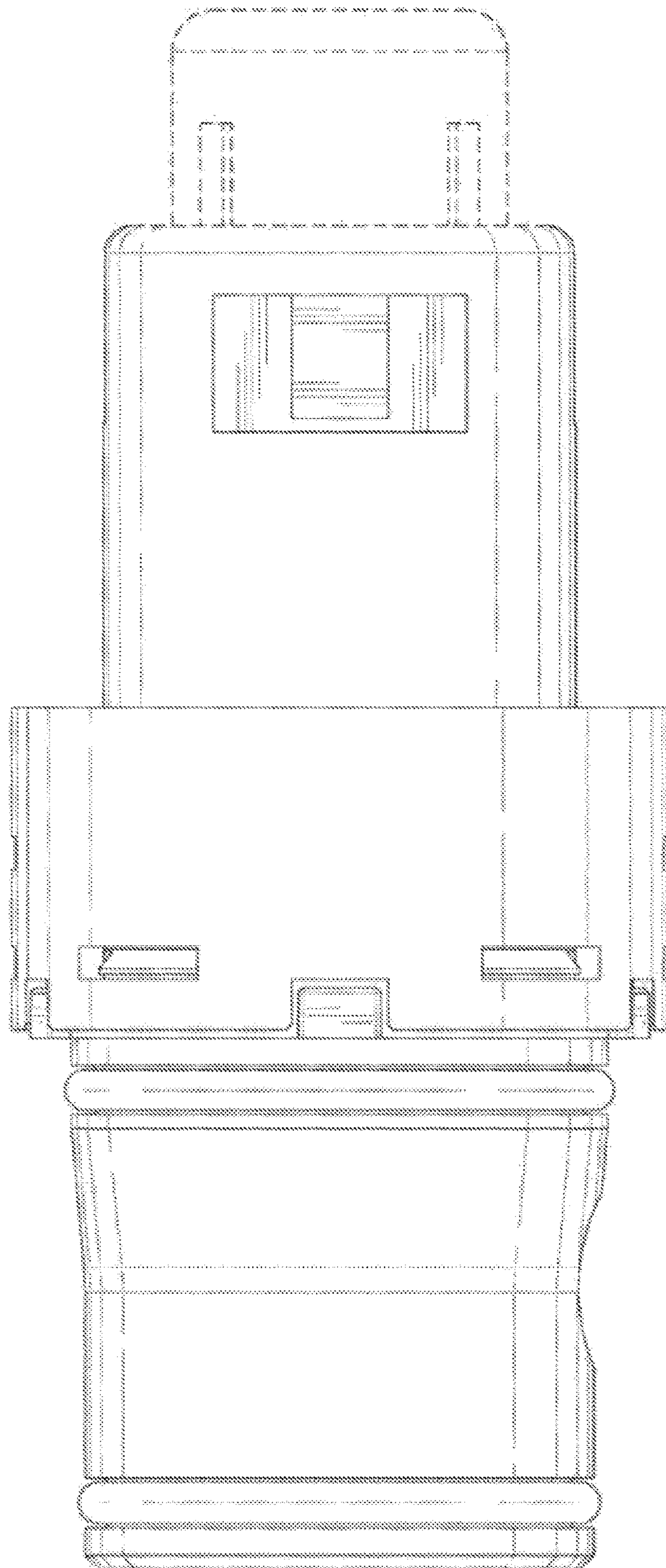


Fig. 7

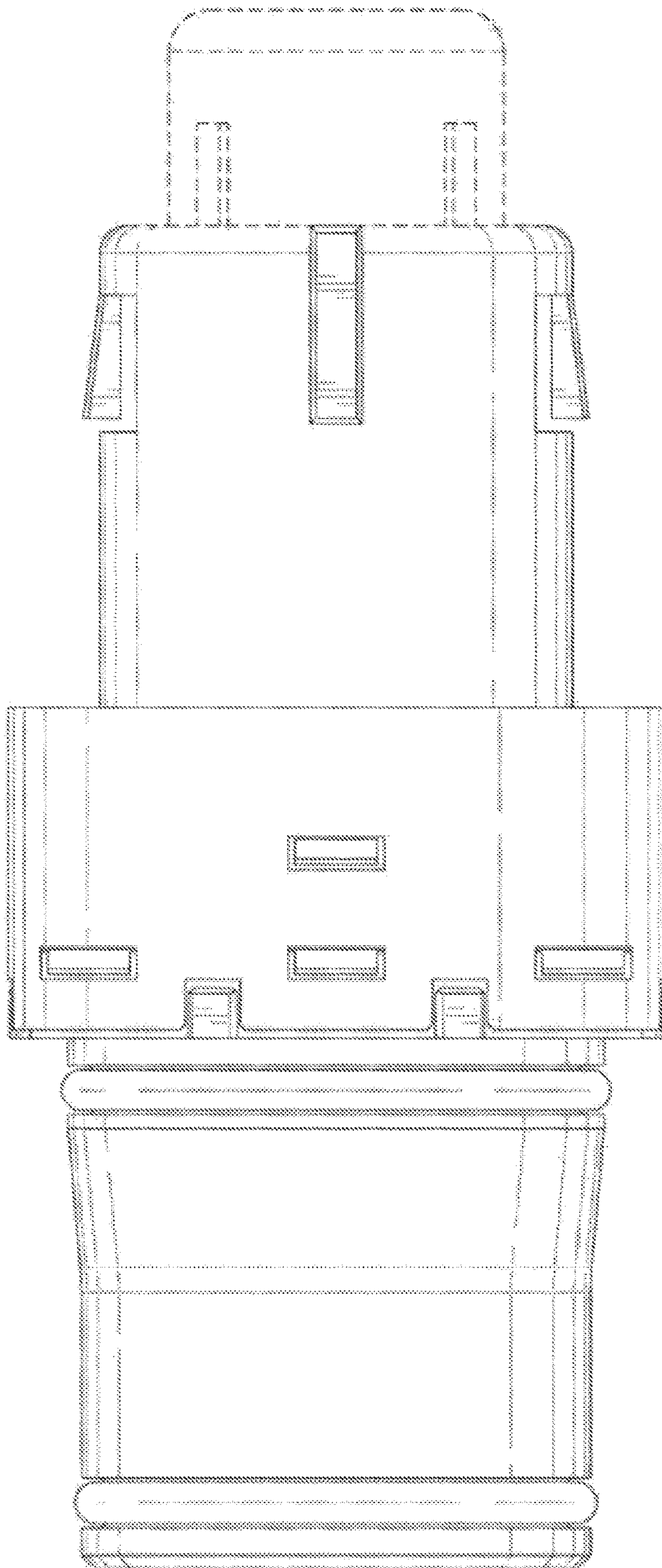


Fig. 8

