



US00D895769S

(12) **United States Design Patent**
Laible

(10) **Patent No.:** **US D895,769 S**

(45) **Date of Patent:** **** Sep. 8, 2020**

(54) **HAND-HELD DUAL FLOW DILUTION DISPENSER**

(71) Applicant: **Rodney Laible**, Omaha, NE (US)

(72) Inventor: **Rodney Laible**, Omaha, NE (US)

(**) Term: **15 Years**

(21) Appl. No.: **29/711,524**

(22) Filed: **Oct. 31, 2019**

(51) **LOC (12) Cl.** **23-01**

(52) **U.S. Cl.**
USPC **D23/223**

(58) **Field of Classification Search**
USPC D23/223, 225–227; D32/17, 25
CPC B05B 7/02; B05B 7/12; B05B 7/04; A01C
23/042

See application file for complete search history.

(56) **References Cited**

U.S. PATENT DOCUMENTS

D110,841 S *	8/1938	Tobler	B05B 7/12 D23/226
D328,780 S *	8/1992	Aquilina	B05B 7/2443 D23/226
D574,463 S *	8/2008	Soriano	B05B 7/1209 D23/226
D578,603 S *	10/2008	Khaitov	D23/213
D639,390 S *	6/2011	Wu	D23/226
9,296,000 B1 *	3/2016	Laible	B05B 7/2443
D783,122 S *	4/2017	Chen	D23/226
D783,123 S *	4/2017	Chen	D23/226
D792,557 S *	7/2017	Wang	D23/226
D800,254 S *	10/2017	Chen	D23/226

D824,487 S *	7/2018	Montoya	D23/223
2010/0213280 A1 *	8/2010	Laible	B05B 7/1209 239/310
2013/0291955 A1 *	11/2013	Laible	B05B 7/12 137/101.11

* cited by examiner

Primary Examiner — Sheryl Lane

Assistant Examiner — Calvin E Vansant

(74) *Attorney, Agent, or Firm* — Dennis L. Thomte;
Thomte Patent Law Office LLC

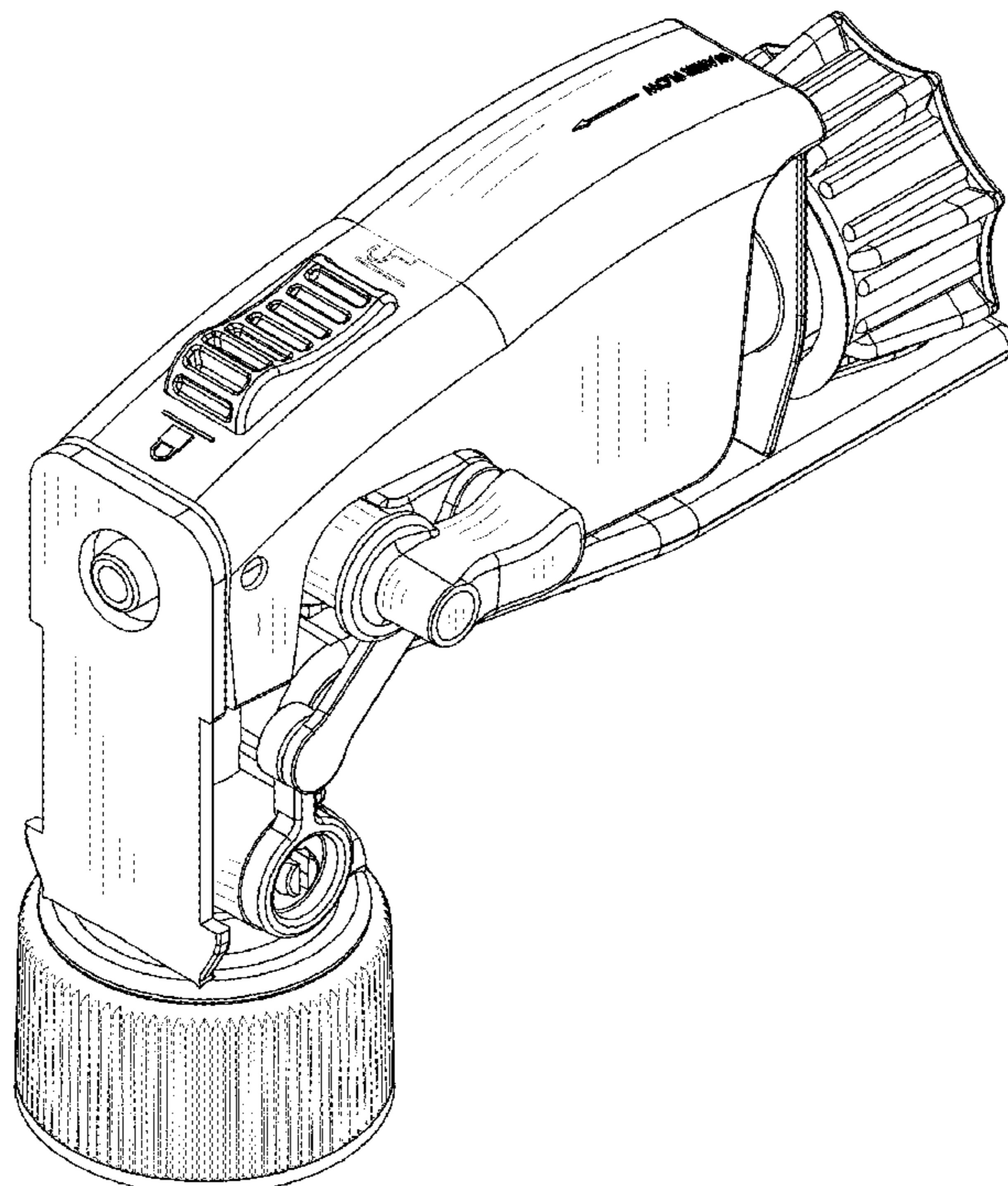
(57) **CLAIM**

The ornamental design for a hand-held dual flow dilution dispenser, as shown and described.

DESCRIPTION

FIG. 1 is a perspective view of the hand-held dual flow dilution dispenser of this invention;
 FIG. 2 is a top view of the hand-held dual flow dilution dispenser of this invention;
 FIG. 3 is a front view of the hand-held dual flow dilution dispenser of this invention;
 FIG. 4 is a left side view of the hand-held dual flow dilution dispenser of this invention;
 FIG. 5 is a rear view of the hand-held dual flow dilution dispenser of this invention;
 FIG. 6 is a right side view of the hand-held dual flow dilution dispenser of this invention; and,
 FIG. 7 is a bottom view of the hand-held dual flow dilution dispenser of this invention.
 The broken lines in FIGS. 4, 5, 6 and 7 depict portions of the hand-held dual flow dilution dispenser that form no part of the claimed design.

1 Claim, 7 Drawing Sheets



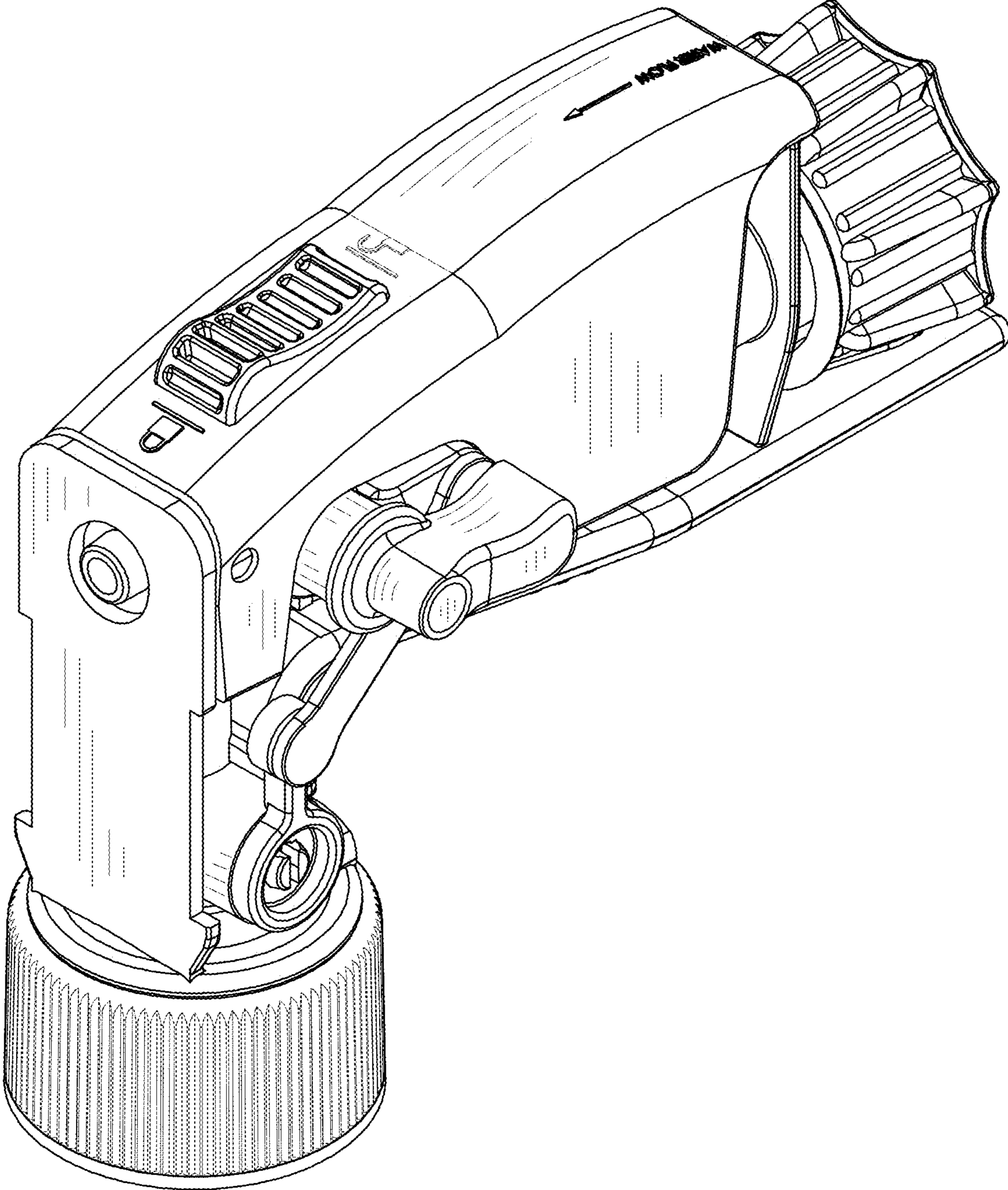


FIG. 1

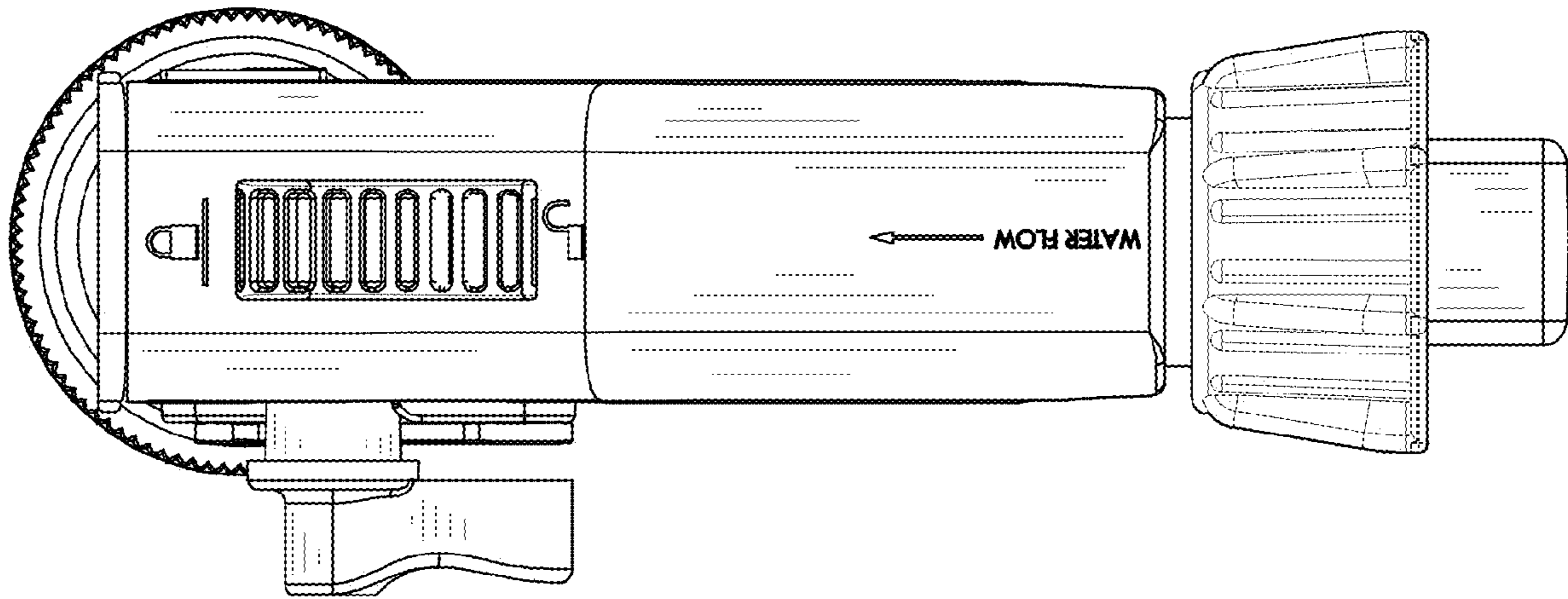


FIG. 2

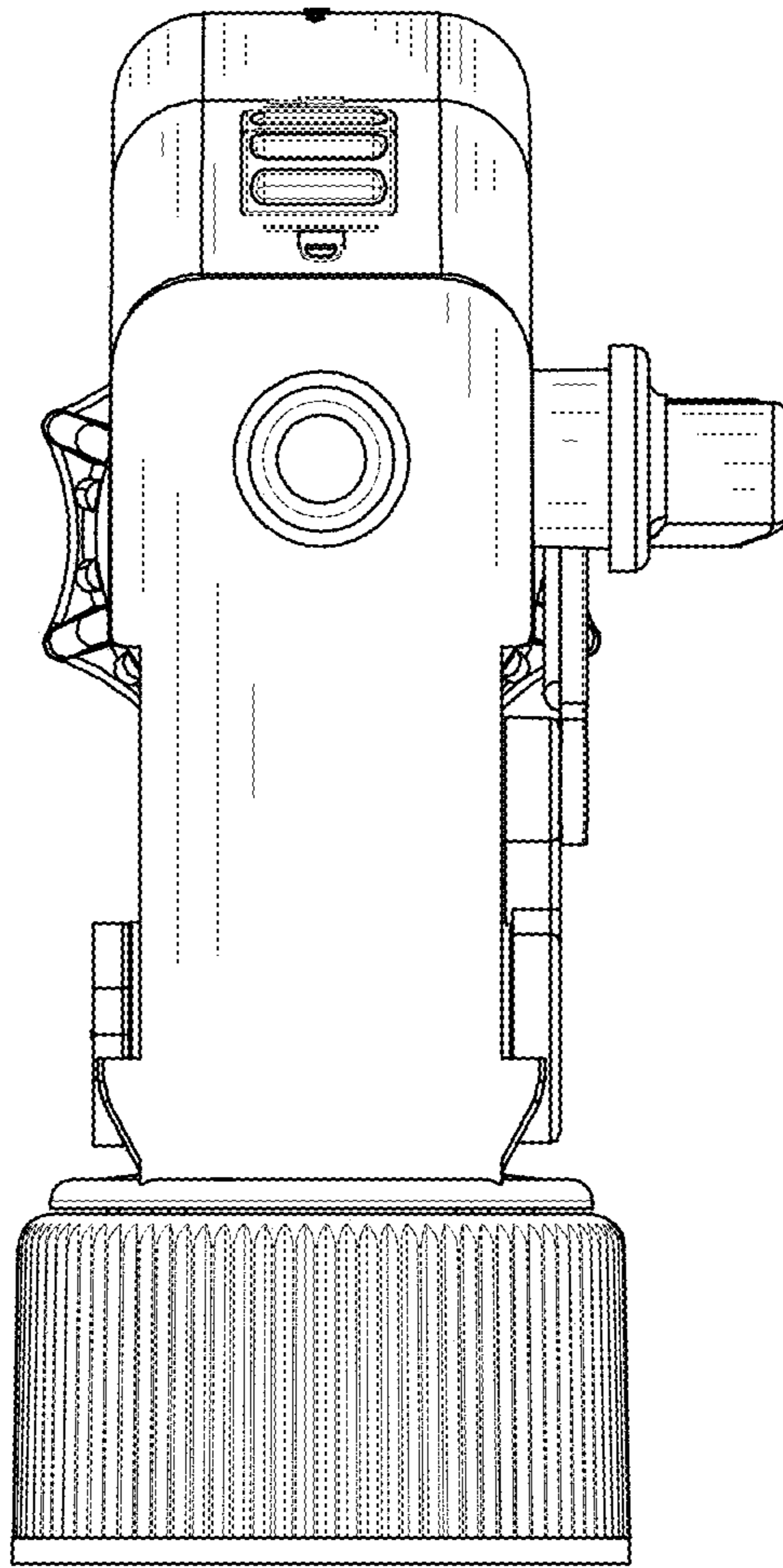


FIG. 3

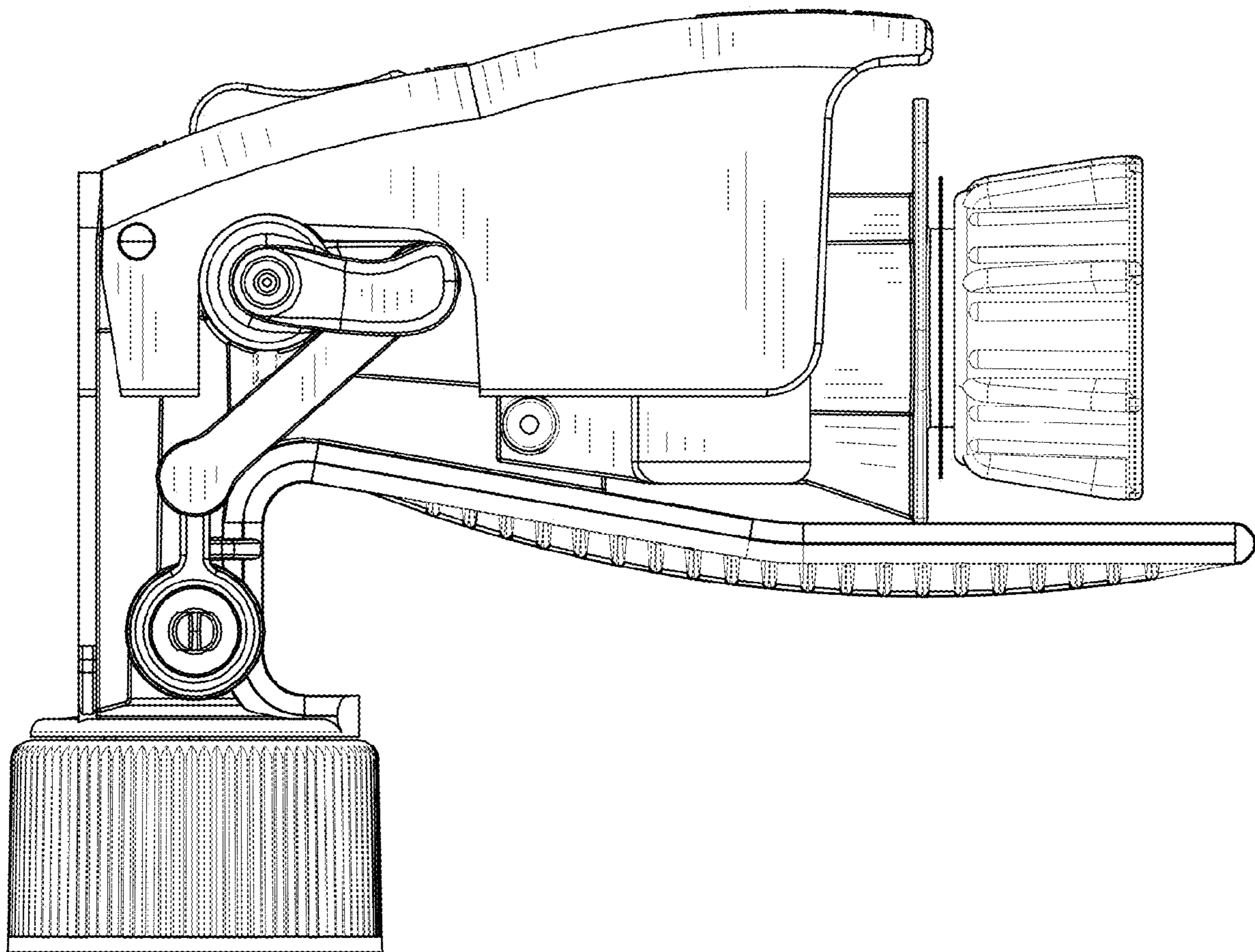


FIG. 4

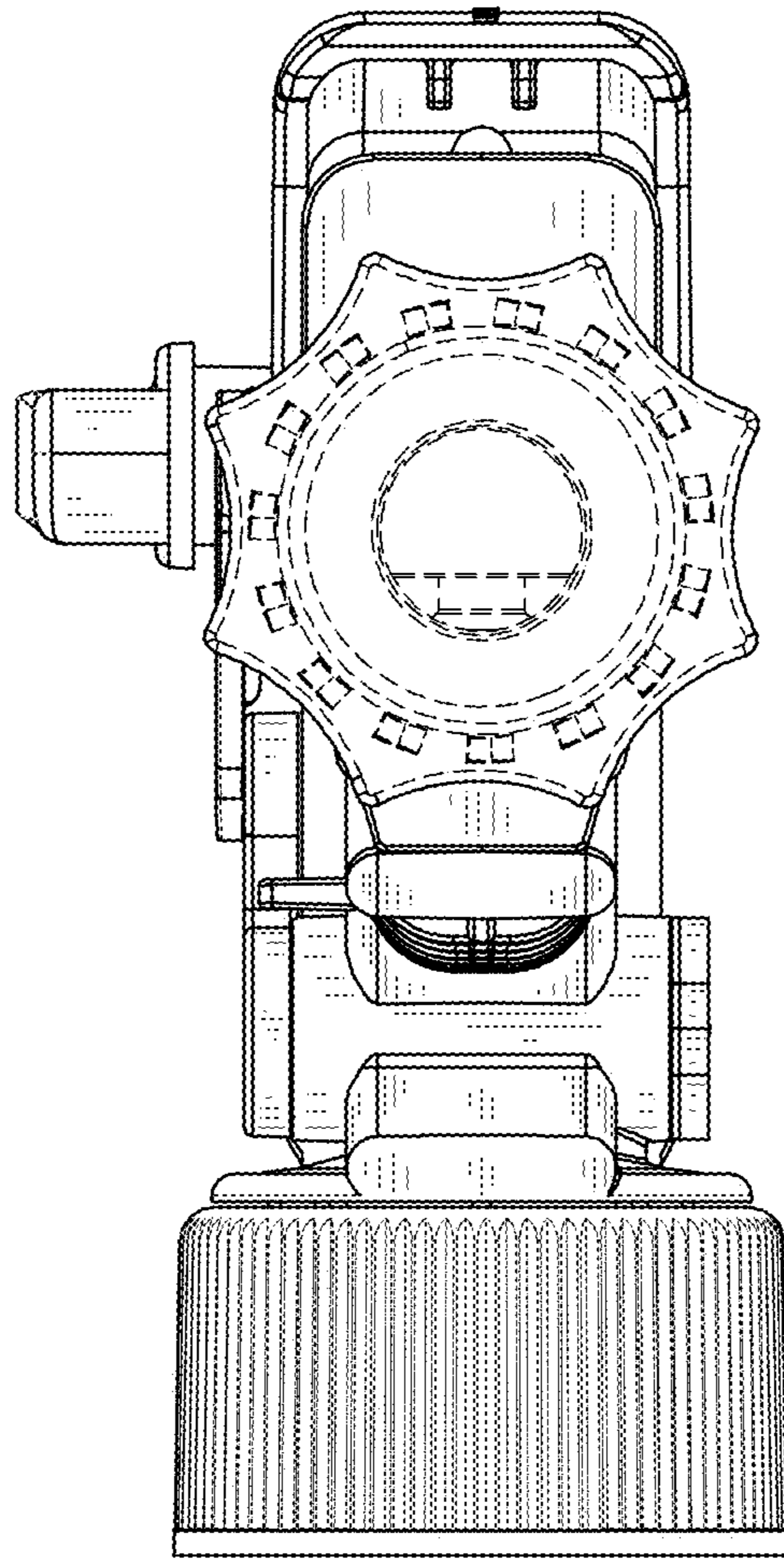


FIG. 5

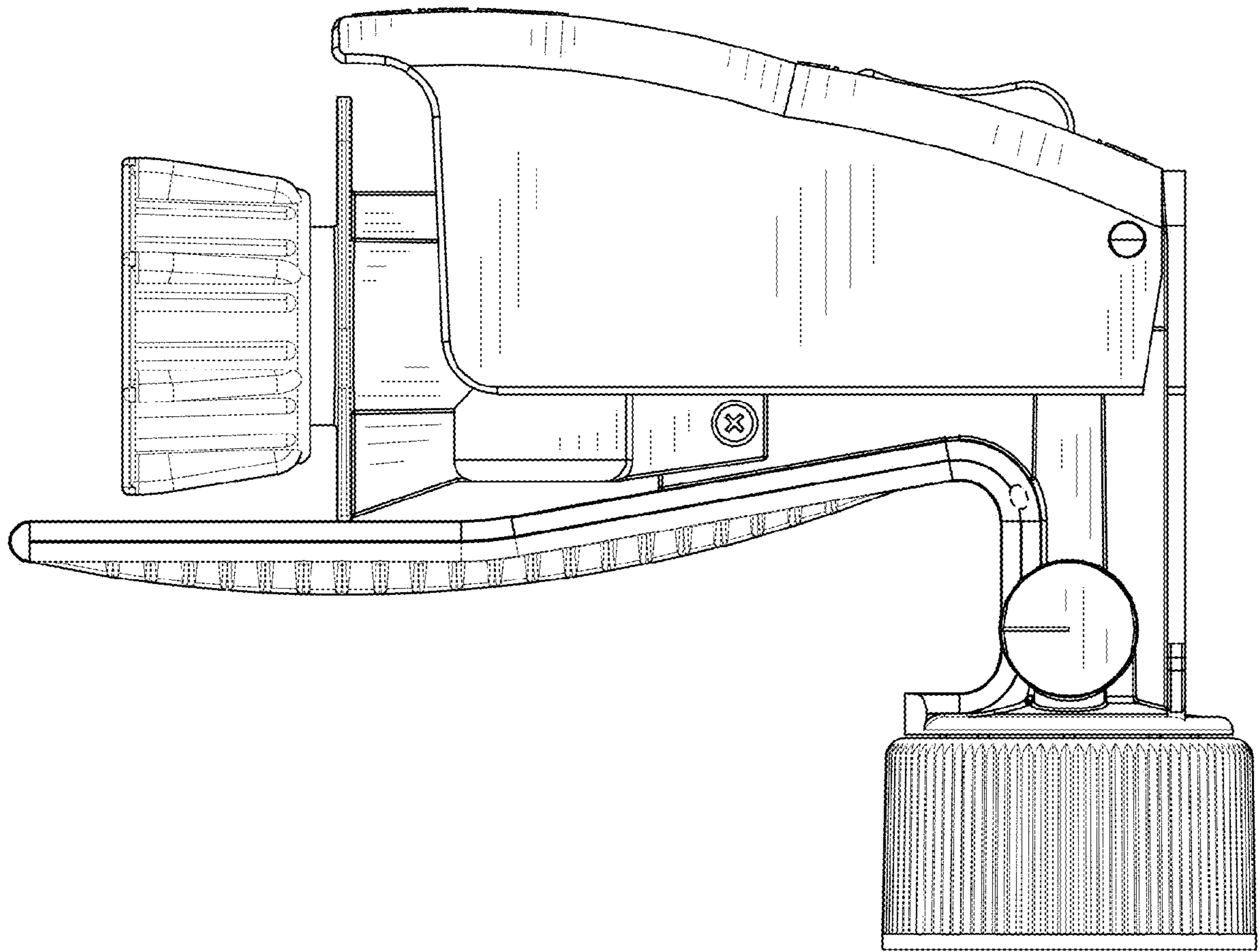


FIG. 6

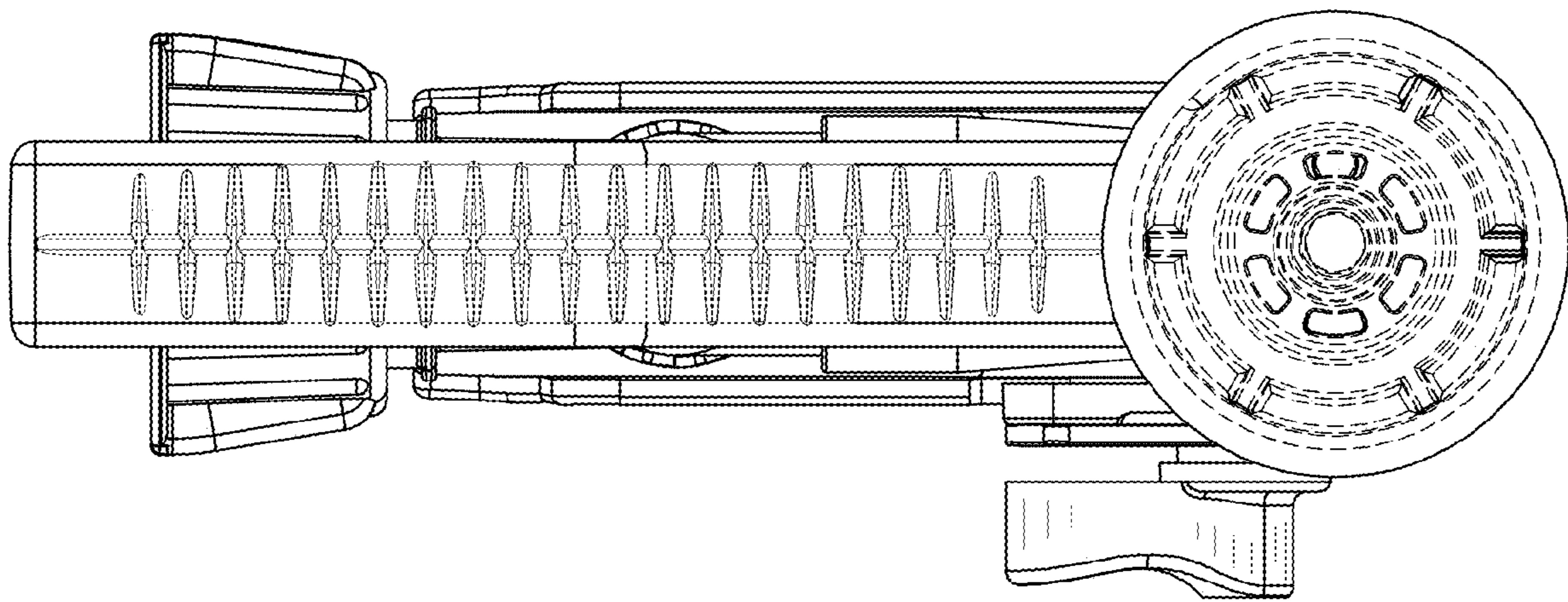


FIG. 7