



US00D895765S

(12) **United States Design Patent**  
**Vogeli**

(10) **Patent No.:** **US D895,765 S**

(45) **Date of Patent:** **\*\* \*Sep. 8, 2020**

(54) **FAUCET STREAM STRAIGHTENER**

(71) Applicant: **Neoperl GmbH**, Mullheim (DE)

(72) Inventor: **Thomas Vogeli**, Bubendorf (CH)

(73) Assignee: **Neoperl GmbH**, Müllheim (DE)

(\*) Notice: This patent is subject to a terminal disclaimer.

(\*\*) Term: **15 Years**

(21) Appl. No.: **29/672,252**

(22) Filed: **Dec. 4, 2018**

**Related U.S. Application Data**

(62) Division of application No. 35/502,775, filed on Mar. 13, 2017 (U.S. filing date under 35 U.S.C. 384), and having an international filing date of Mar. 13, 2017, now Pat. No. Des. 839,385.

(51) **LOC (12) Cl.** ..... **23-01**

(52) **U.S. Cl.**  
USPC ..... **D23/213**

(58) **Field of Classification Search**  
USPC ..... D23/213, 229, 233, 235, 247-249;  
239/428.5, 437; 261/DIG. 22; 366/276,  
366/364, 365  
CPC ..... B05B 7/0425; E03C 1/08; E03C 1/084;  
E03C 1/086; E03C 2001/026  
See application file for complete search history.

(56) **References Cited**

**U.S. PATENT DOCUMENTS**

D192,906 S 5/1962 Gross  
3,664,589 A 5/1972 Jatho et al.

D322,837 S 12/1991 Woodruff  
D536,417 S 2/2007 Buttgen  
D537,916 S 3/2007 Buttgen  
D632,367 S 2/2011 Stein  
D728,738 S 5/2015 Birmelin  
D839,385 S 1/2019 Vogeli  
D861,834 S \* 10/2019 Foster ..... D23/249

**FOREIGN PATENT DOCUMENTS**

WO D095431 \* 4/2017

\* cited by examiner

*Primary Examiner* — Keli L Hill

(74) *Attorney, Agent, or Firm* — Volpe and Koenig, P.C.

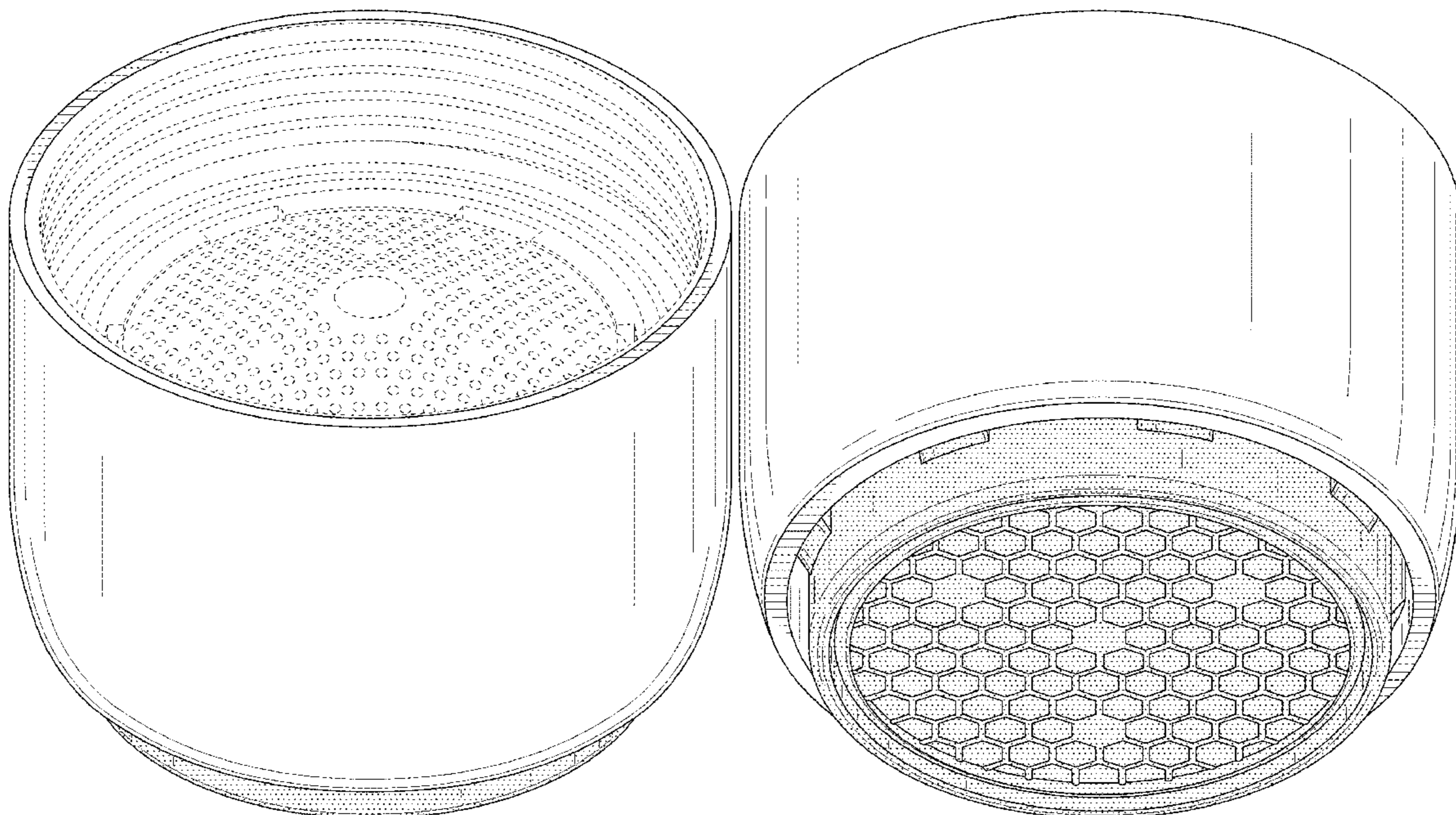
(57) **CLAIM**

The ornamental design for faucet stream straightener, as shown and described.

**DESCRIPTION**

FIG. 1 is a top plan view of a faucet stream straightener in accordance my design;  
FIG. 2 is a top, front perspective view thereof;  
FIG. 3 is a bottom plan view thereof;  
FIG. 4 is a bottom, rear perspective view thereof;  
FIG. 5 is a front elevational view thereof, the rear elevational view being a mirror image thereof; and,  
FIG. 6 is a left side elevational view thereof, with the right side elevational view being a mirror image thereof.  
The stippled shading represents a contrast in appearance only and does not represent a particular color, material, texture, or finish. The broken lines represent portions of the faucet stream straightener that form no part of the claimed design.

**1 Claim, 6 Drawing Sheets**



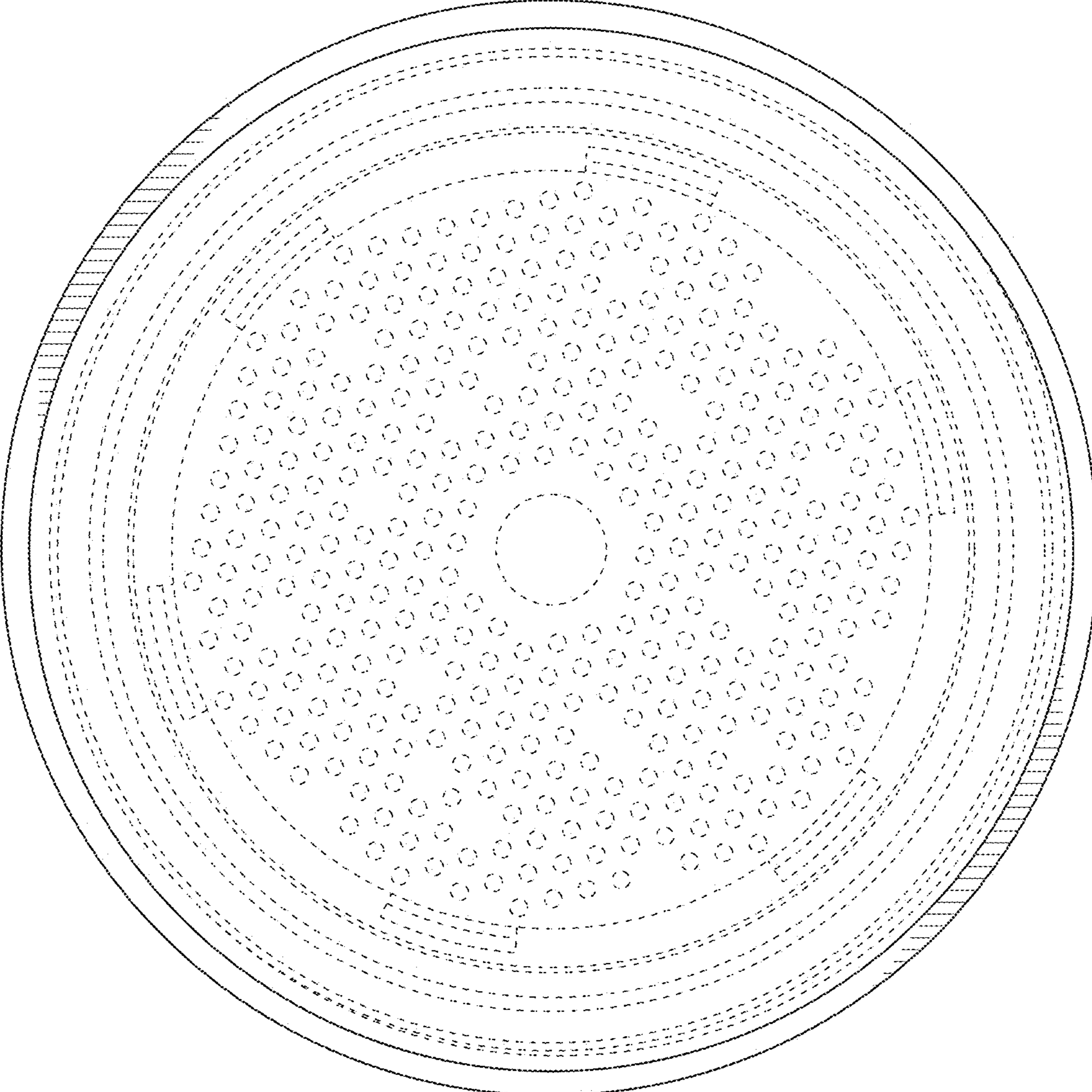


FIG. 1



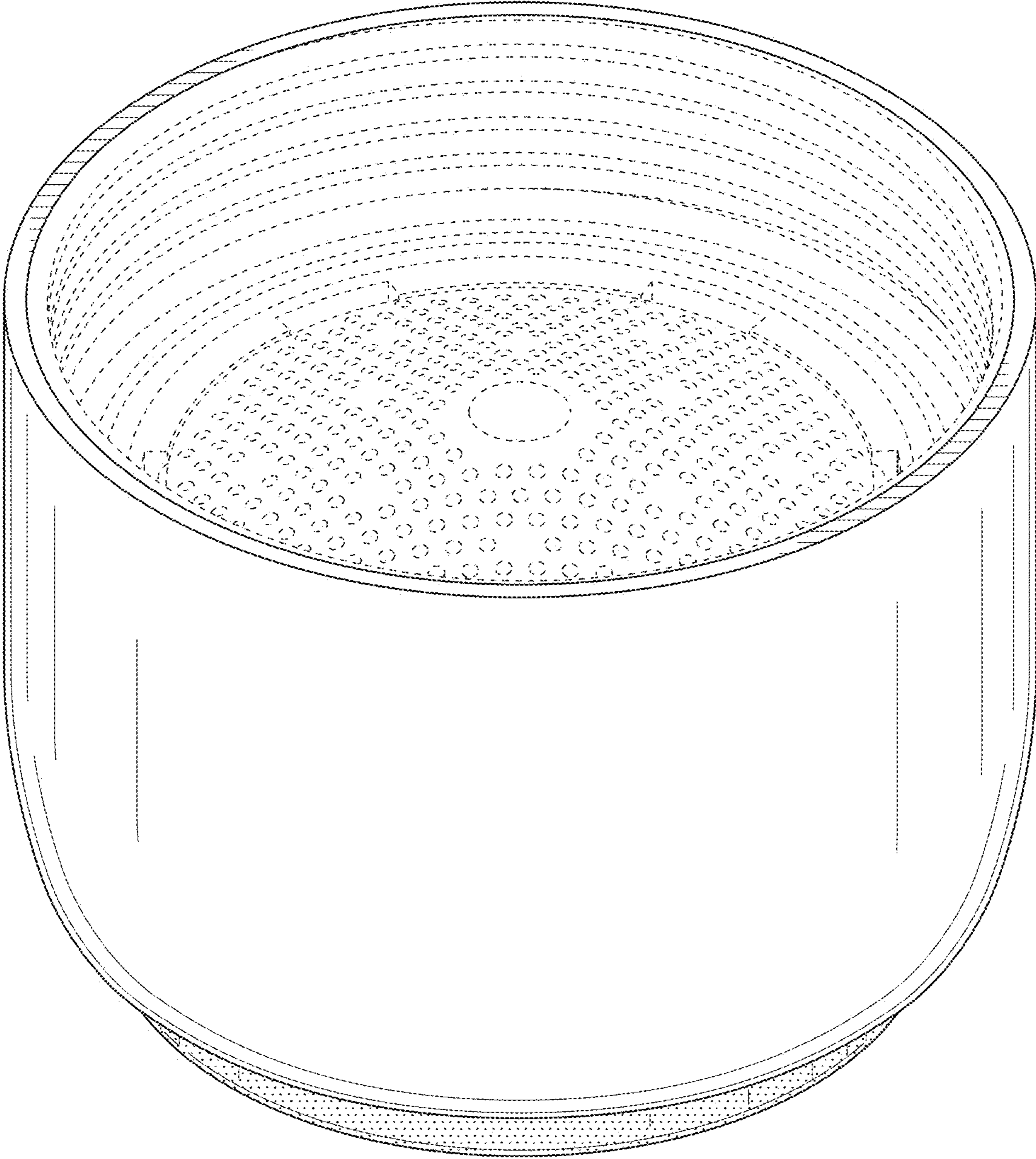


FIG. 2

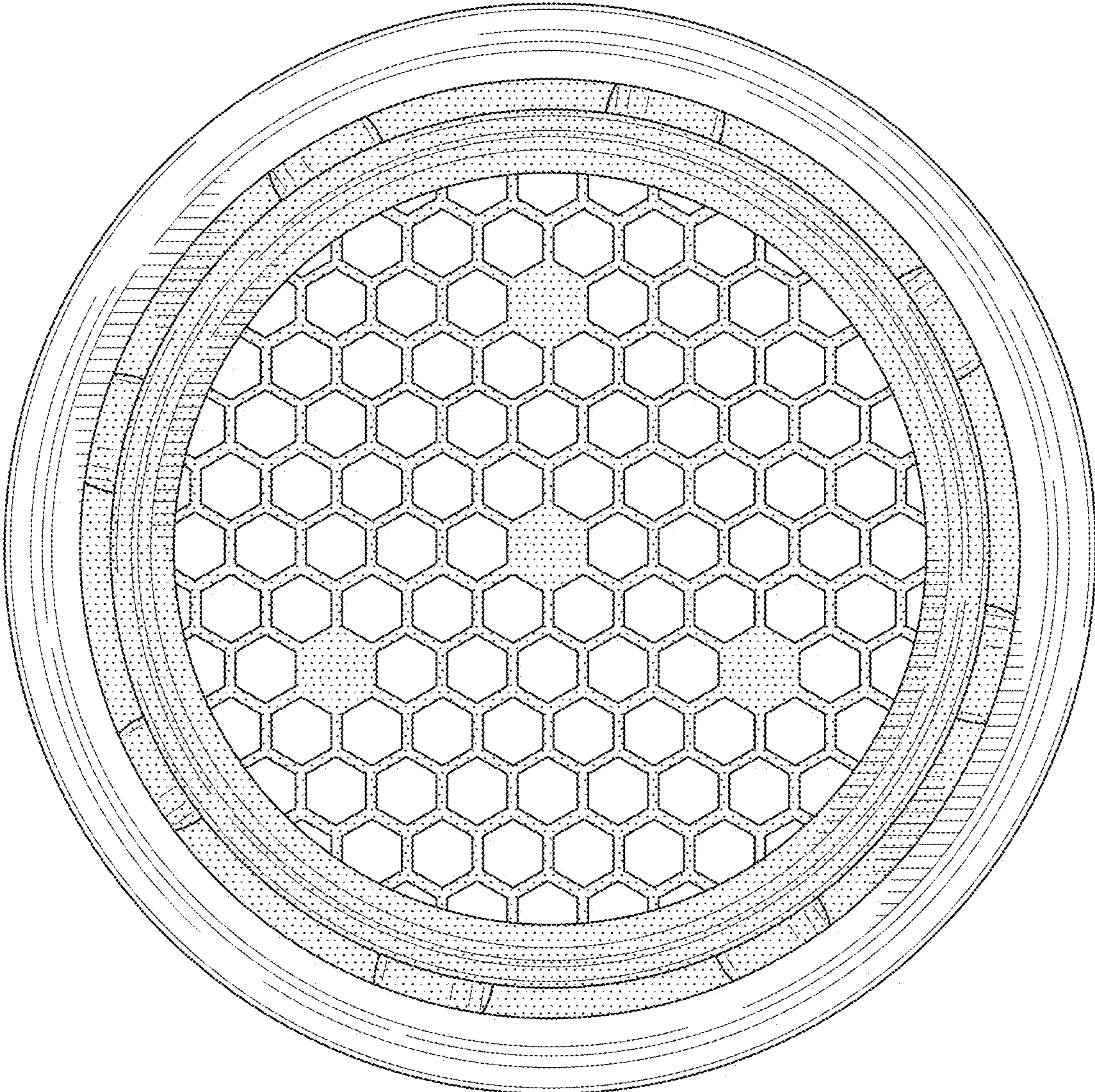


FIG. 3



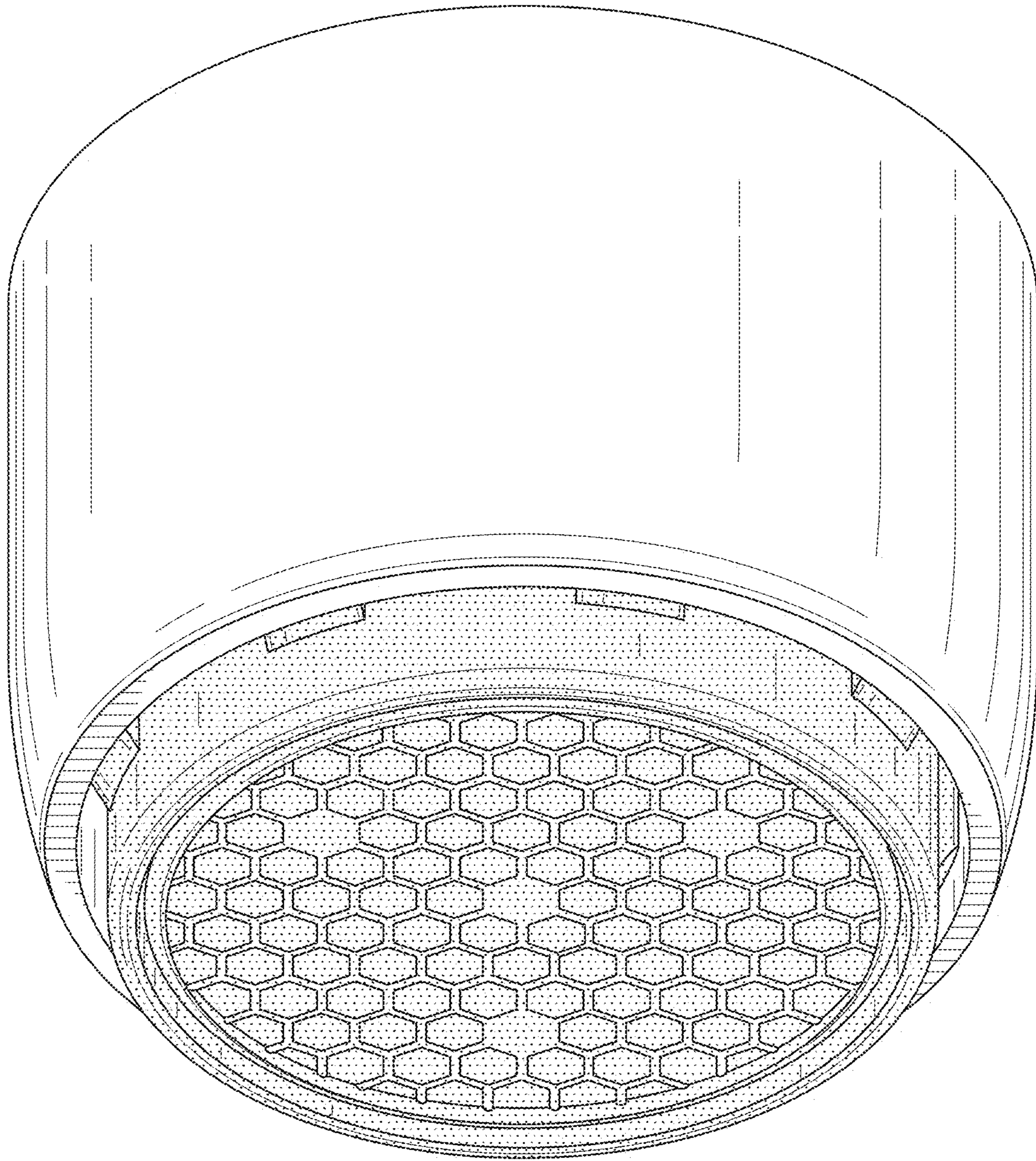


FIG. 4

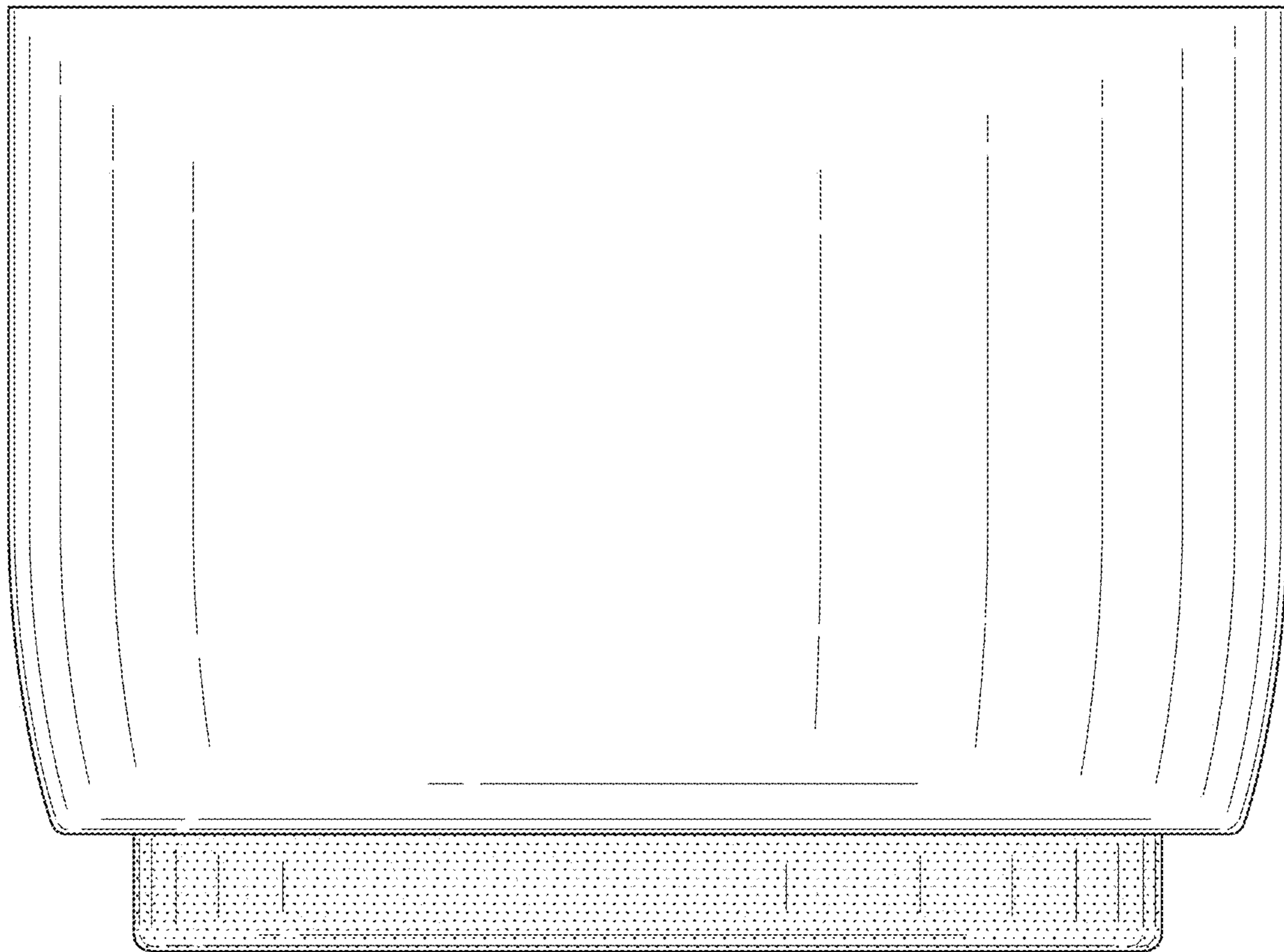


FIG. 5

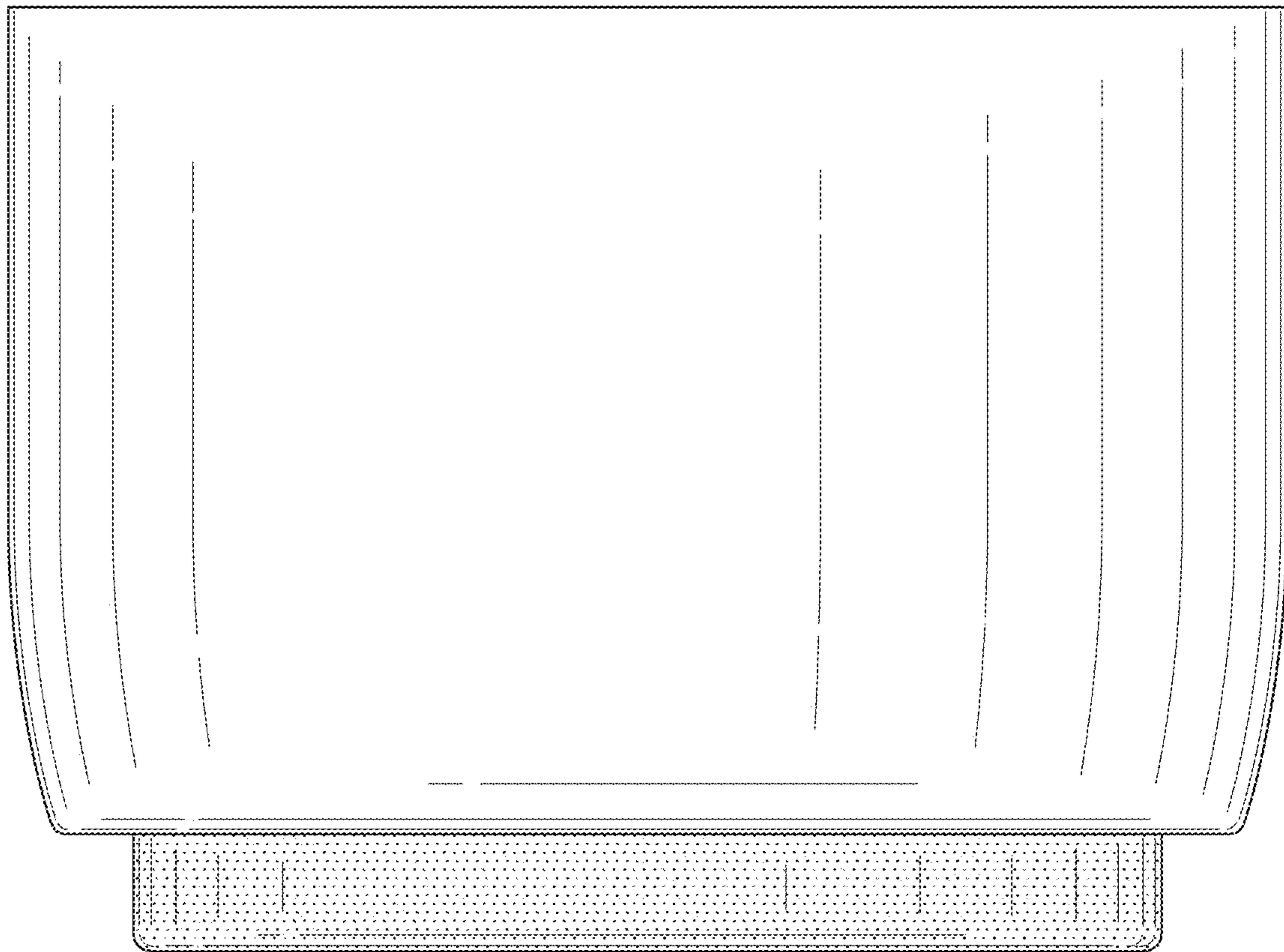


FIG. 6