



US00D895764S

(12) **United States Design Patent** (10) **Patent No.:** **US D895,764 S**
York (45) **Date of Patent:** **** Sep. 8, 2020**

(54) **DOOR KNOB SANITIZER**

FOREIGN PATENT DOCUMENTS

(71) Applicant: **Darren York**, Old Bridge, NJ (US)

FR 2922932 10/2007
JP 2002383231 10/2003

(72) Inventor: **Darren York**, Old Bridge, NJ (US)

Primary Examiner — Mark A Goodwin

(**) Term: **15 Years**

(74) *Attorney, Agent, or Firm* — Walter J. Tencza, Jr.

(21) Appl. No.: **29/737,157**

(57) **CLAIM**

(22) Filed: **Jun. 5, 2020**

I claim the ornamental design for the door knob sanitizer, as shown and described.

(51) **LOC (12) Cl.** **23-01**

DESCRIPTION

(52) **U.S. Cl.**

USPC **D23/208**; D8/350

(58) **Field of Classification Search**

USPC D23/208, 366, 368; D8/321, 301, 350,
D8/353, 352; 422/24, 28, 292

CPC . E05B 1/0069; A61L 2/10; A61L 2/24; A61L
2/00; A61L 9/20

See application file for complete search history.

FIG. 1 is a front, left, and top perspective view of a door knob sanitizer in accordance with the present invention, wherein the door knob sanitizer is shown attached to a door and surrounding a door knob of the door;

FIG. 2 is a front, left, and top perspective view of the door knob sanitizer of FIG. 1;

FIG. 3 is a front elevational view of the door knob sanitizer of FIG. 1;

FIG. 4 is a rear elevational view of the door knob sanitizer of FIG. 1;

FIG. 5 is a left side elevational view of the door knob sanitizer of FIG. 1;

FIG. 6 is a right side elevational view of the door knob sanitizer of FIG. 1;

FIG. 7 is a top plan view of the door knob sanitizer of FIG. 1; and,

FIG. 8 is a bottom view of the door knob sanitizer of FIG. 1.

The dashed broken line showing of the inner curved portion on the surface of the claim in FIGS. 1, 2, and 5 is included for the purpose of illustrating portions of the door knob sanitizer that forms no part of the claimed design. The long dash short dash broken line shown in FIG. 1 of a door knob, door, frame, and a wall portion is included for the purpose of illustrating environmental use only and forms no part of the claimed design.

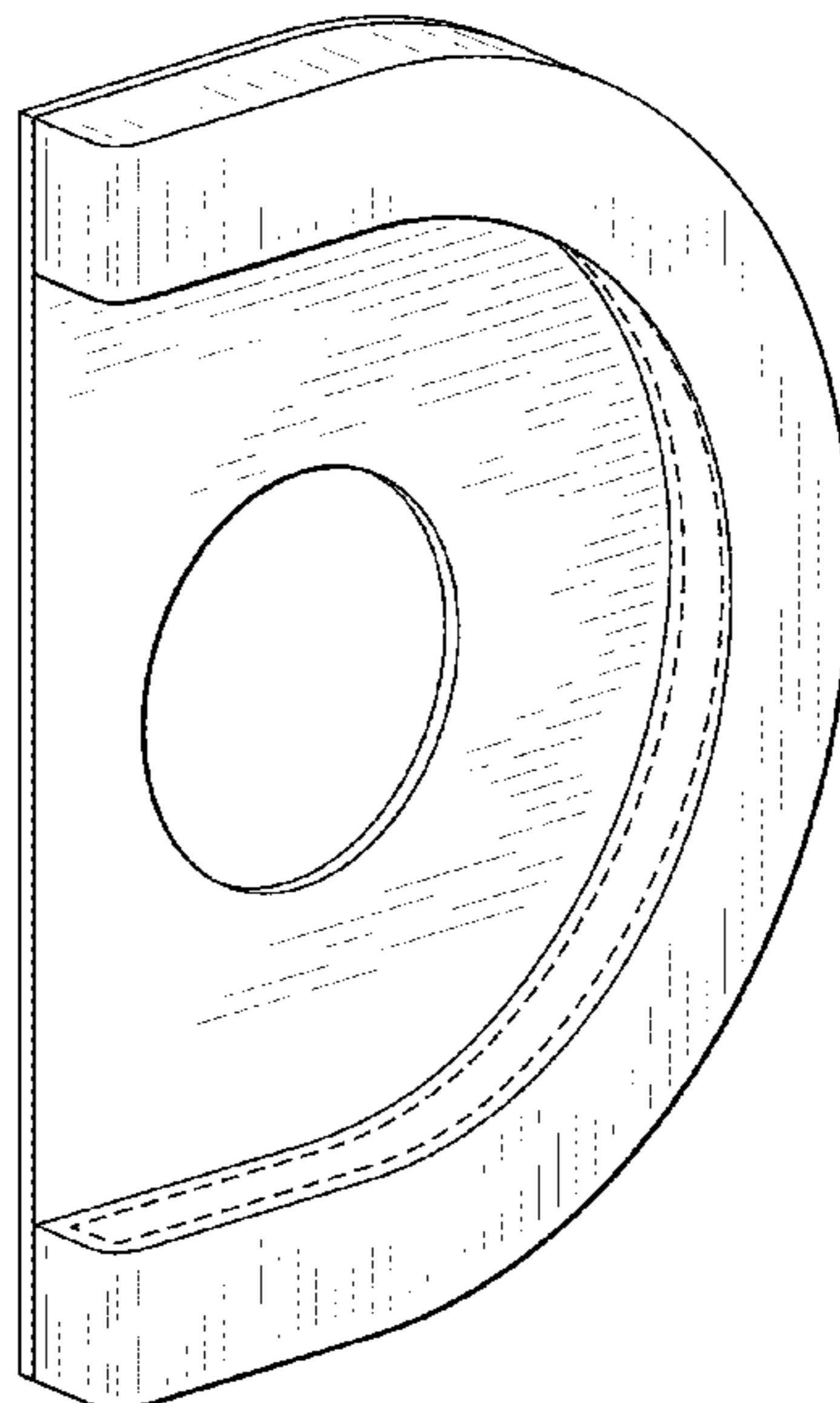
(56) **References Cited**

U.S. PATENT DOCUMENTS

1,124,819 A	1/1915	Sikorski	
D116,185 S	8/1939	Fordyce	
2,529,234 A	3/1947	Swanson	
2,636,209 A	4/1953	Tedder	
2,661,417 A	12/1953	Blackburn	
2,675,576 A	4/1954	Nalevanko	
2,683,889 A	7/1954	Kanocz	
D176,282 S	12/1955	Patriquin	
2,733,474 A	2/1956	Capitani	
D184,583 S	3/1959	Russell	
D186,083 S	9/1959	Mair	
3,314,746 A	4/1967	Millar	
D271,374 S *	11/1983	Butts	D8/353
4,644,689 A	2/1987	Arians	
D289,971 S	5/1987	Carter	
4,710,634 A	12/1987	Brookes	
D299,054 S	12/1988	Brun	
D299,309 S	1/1989	Brookes	
D303,566 S *	9/1989	Kohler, Jr.	D23/249

(Continued)

1 Claim, 7 Drawing Sheets



(56)

References Cited

U.S. PATENT DOCUMENTS

D321,468 S * 11/1991 Reid D23/249
 D322,926 S * 1/1992 Kolada D23/249
 D354,669 S 1/1995 Malay
 D374,392 S 10/1996 Malay
 6,202,352 B1 3/2001 Wilkes
 6,273,579 B1 8/2001 Holloway
 6,278,366 B1 8/2001 Fletcher et al.
 6,298,521 B1 10/2001 Butterfield
 D453,899 S * 2/2002 LaPlume D8/352
 6,447,139 B1 9/2002 Wilkes
 6,461,013 B1 10/2002 Simon
 D490,689 S * 6/2004 Kyle D8/350
 D501,129 S 1/2005 Hansen
 D501,393 S 2/2005 Hansen
 D508,393 S * 8/2005 Gao D8/352
 D518,354 S 4/2006 Veltz
 7,175,807 B1 2/2007 Jones
 7,360,674 B2 * 4/2008 Sassoon A61L 2/18
 222/1
 7,530,503 B2 5/2009 Casserta
 D637,474 S * 5/2011 Schneider D8/350
 7,984,631 B2 * 7/2011 Case E05B 15/02
 70/278.1
 7,989,779 B1 8/2011 Ray
 D645,726 S * 9/2011 Lu D8/330
 D670,552 S 11/2012 Meeks
 D675,083 S 1/2013 Clark
 D678,748 S 3/2013 Meeks

D682,656 S * 5/2013 Cramer D8/331
 D682,658 S * 5/2013 Cramer D8/331
 8,777,064 B2 * 7/2014 Williams A61L 2/18
 222/192
 D736,590 S * 8/2015 Roberts, III D8/330
 D736,591 S * 8/2015 Groleski D8/330
 D737,657 S * 9/2015 Nadgouda D8/331
 D737,661 S 9/2015 Chan
 D738,186 S * 9/2015 Nadgouda D8/331
 9,175,498 B2 11/2015 Winslow
 D756,196 S * 5/2016 Huang D8/330
 D756,748 S * 5/2016 Lu D8/353
 D756,749 S * 5/2016 Lu D8/353
 D772,375 S 11/2016 Bruining
 D772,691 S 11/2016 Han
 9,649,395 B2 5/2017 Zajdowicz
 9,649,398 B1 5/2017 York
 D803,027 S 11/2017 Huang
 9,896,865 B2 2/2018 Samaras
 D823,430 S * 7/2018 York D23/208
 10,455,936 B2 10/2019 McKnight et al.
 2004/0008508 A1 1/2004 Alvarez
 2006/0153733 A1 7/2006 Sassoon
 2006/0175843 A1 8/2006 Campopiano et al.
 2010/0140499 A1 6/2010 Casale
 2011/0174992 A1 7/2011 Sakita
 2012/0305804 A1 12/2012 Goldman
 2014/0048724 A1 2/2014 Marshall
 2014/0137369 A1 5/2014 Street
 2016/0263263 A1 9/2016 Robert

* cited by examiner

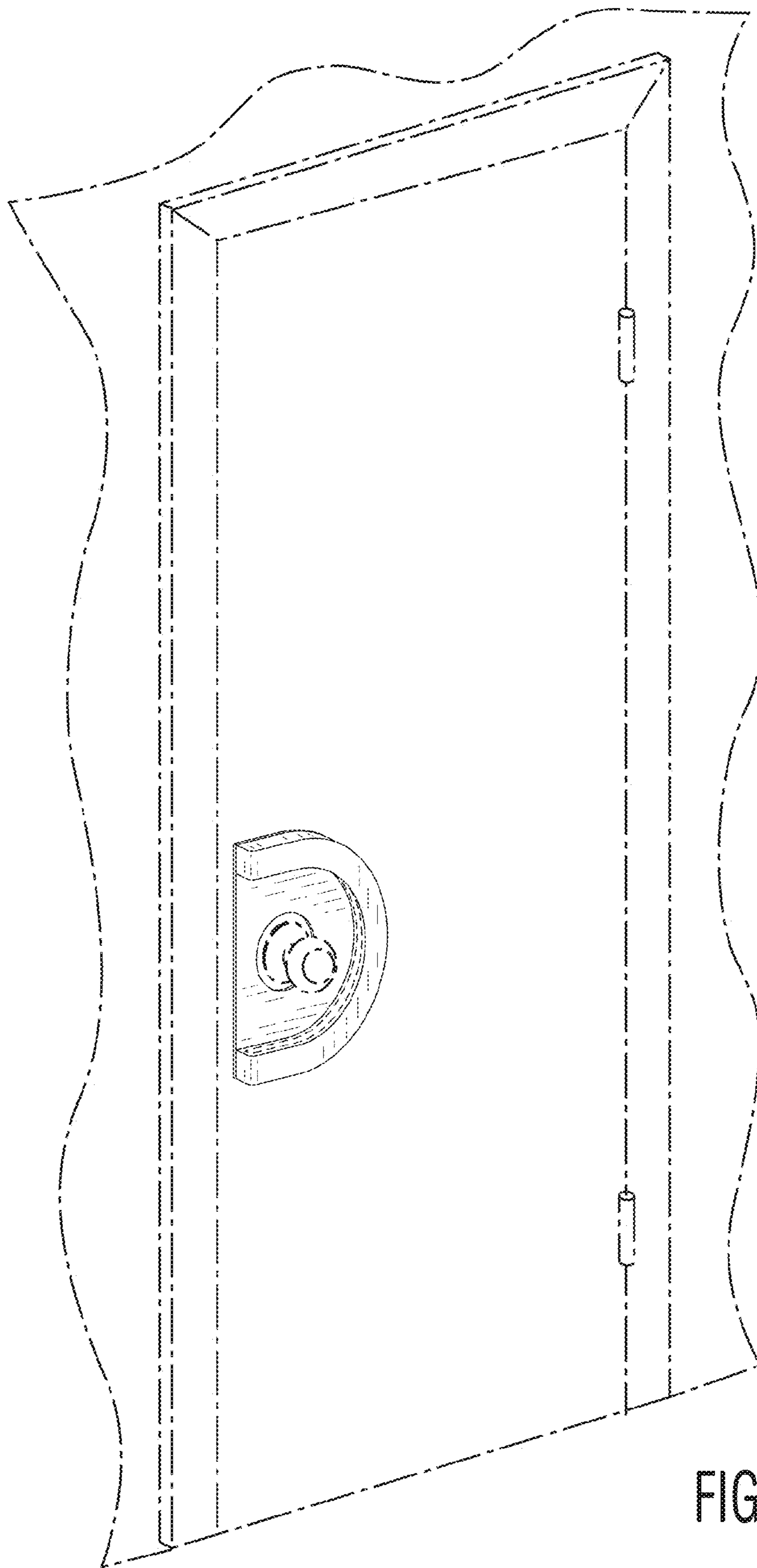


FIG. 1

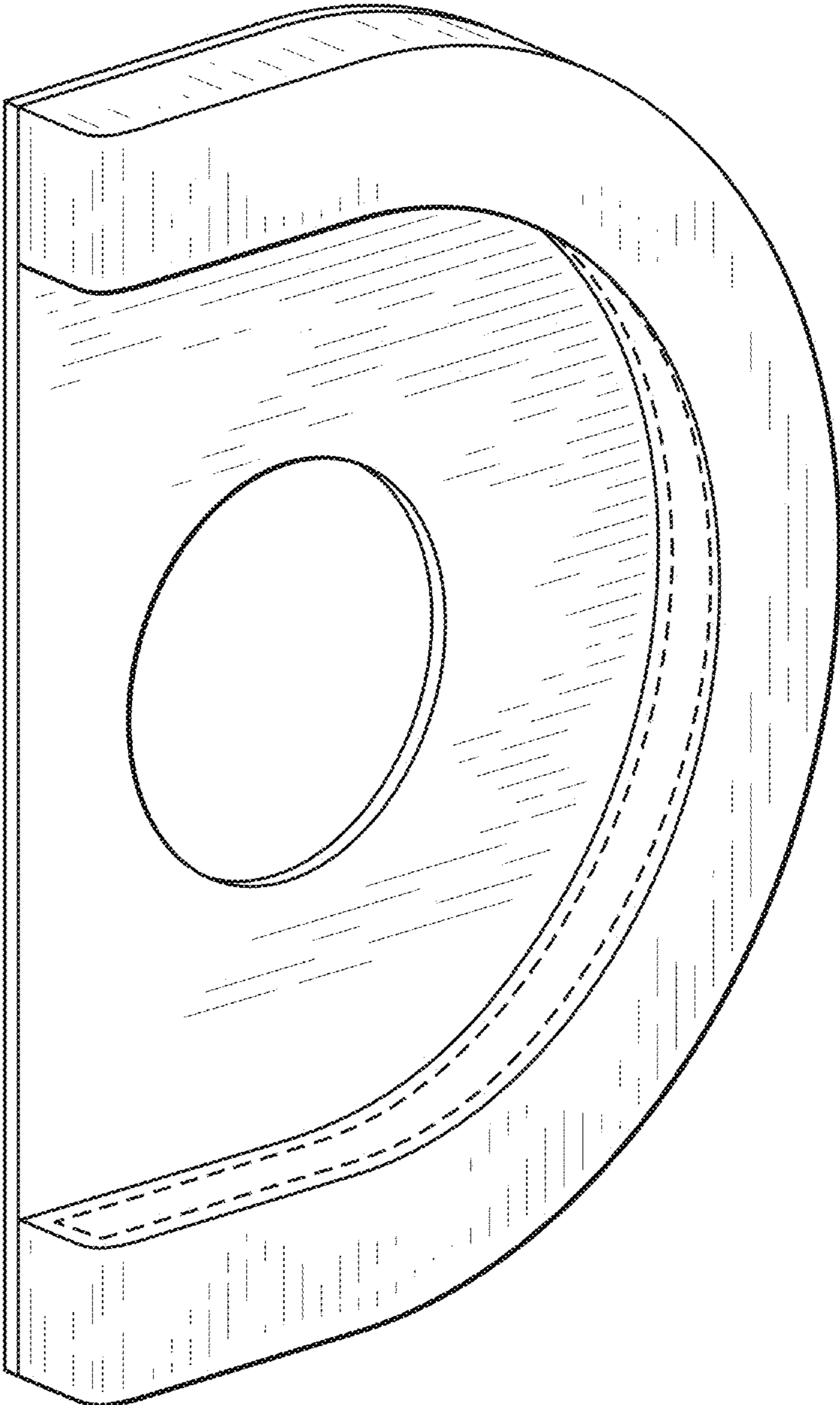


FIG. 2

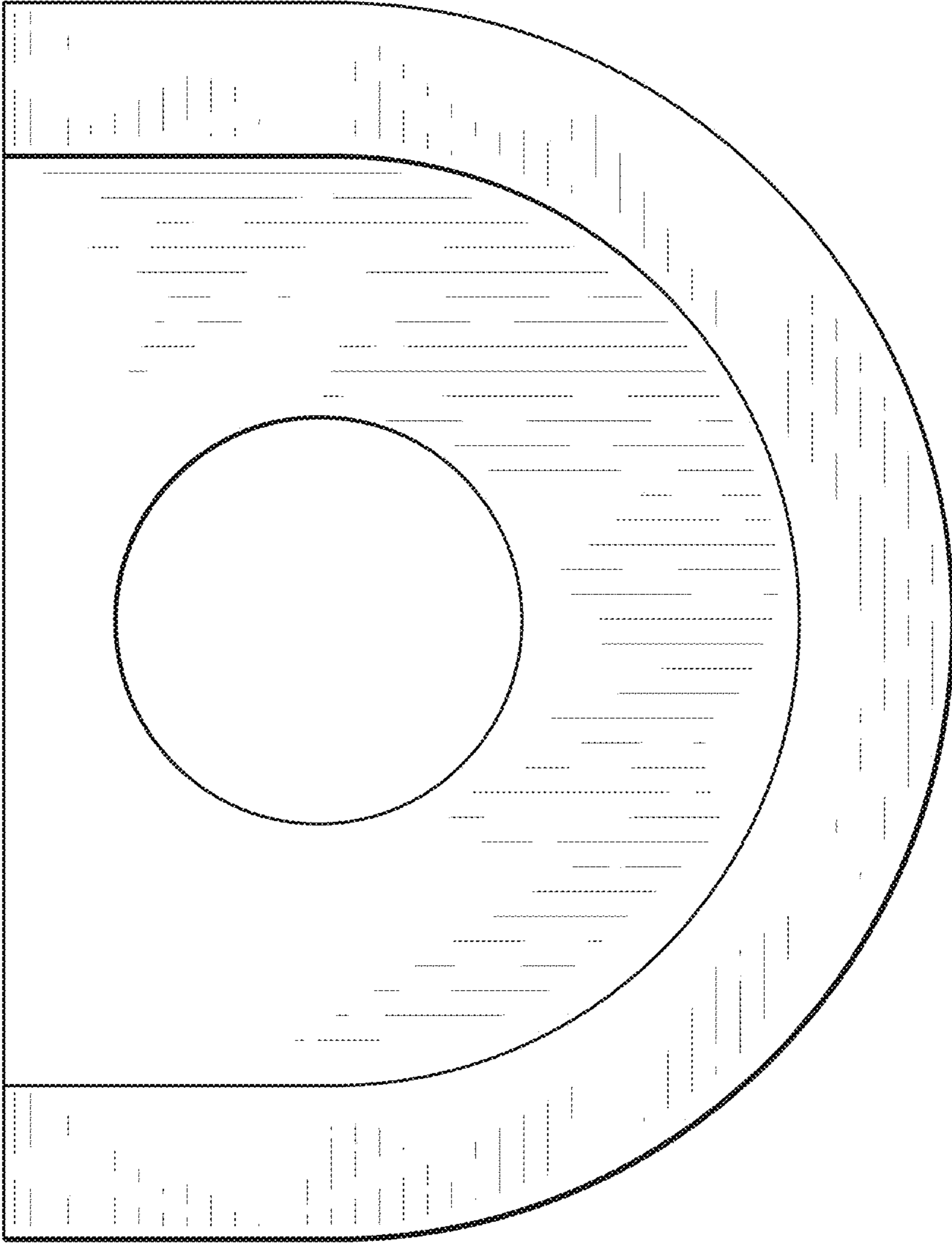


FIG. 3

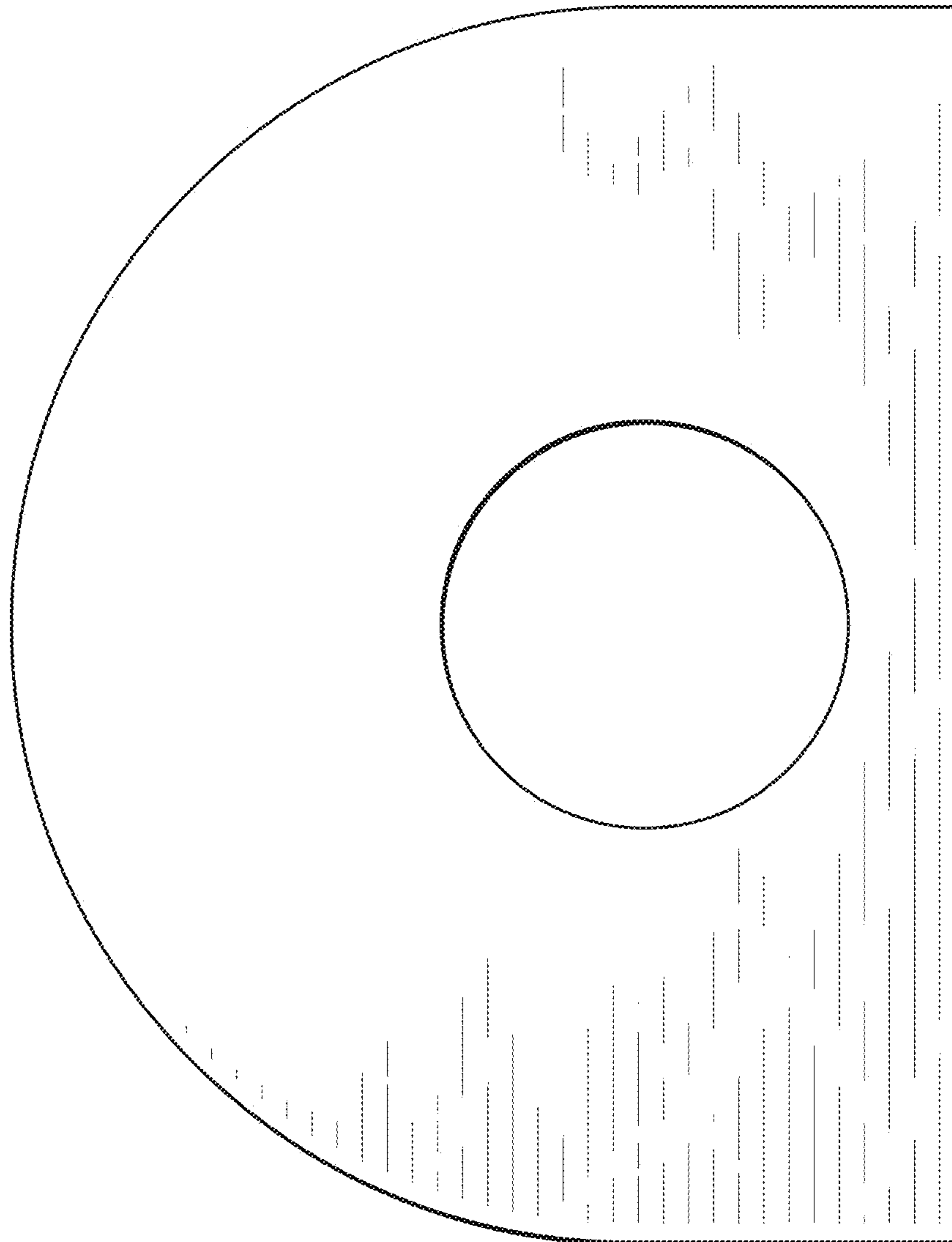


FIG. 4

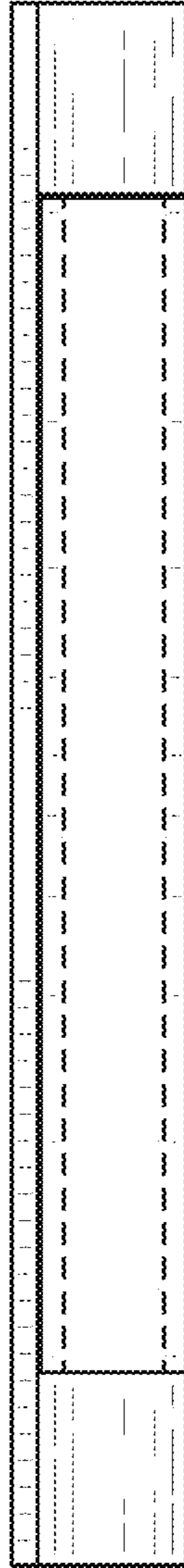


FIG. 5

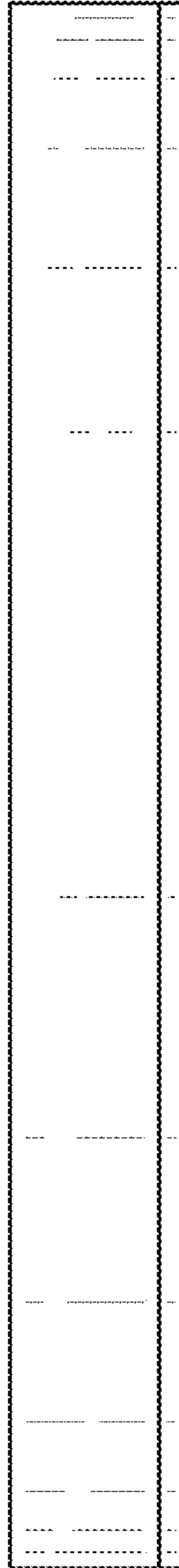


FIG. 6

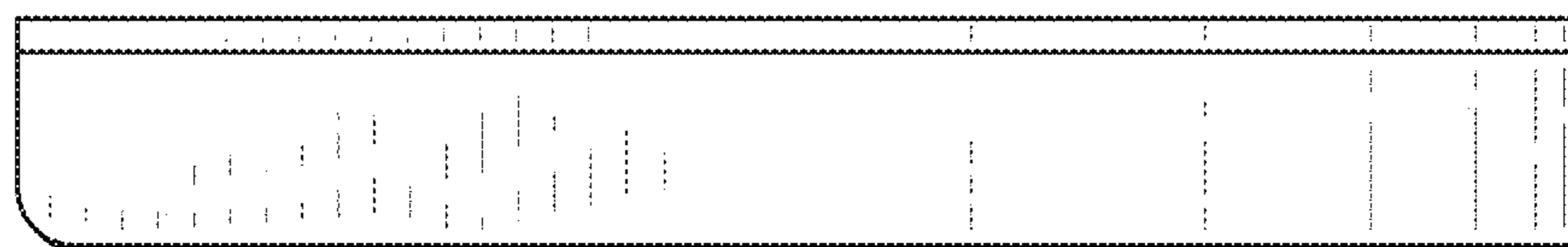


FIG. 7

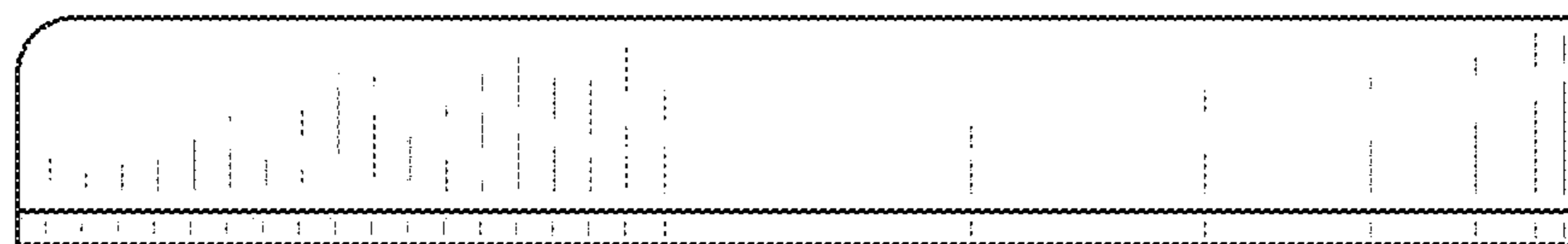


FIG. 8