



US00D895763S

(12) **United States Design Patent** (10) **Patent No.:** **US D895,763 S**  
**Liu et al.** (45) **Date of Patent:** **\*\* Sep. 8, 2020**

(54) **WATER SOFTENING DEVICE** D700,625 S \* 3/2014 Iwagoshi ..... C02F 5/00  
D15/7  
(71) Applicants: **WUHU MIDEA KITCHEN AND BATH APPLIANCES MFG. CO., LTD.,** Wuhu (CN); **MIDEA GROUP CO., LTD.,** Beijiao, Shunde, Foshan (CN) 2006/0096899 A1\* 5/2006 Lillback ..... B01D 24/4642  
210/106  
2014/0261697 A1\* 9/2014 Vaughan ..... C02F 1/006  
137/1  
2019/0071326 A1\* 3/2019 Liu ..... F16K 11/0716  
2019/0072199 A1\* 3/2019 Liu ..... F16K 27/003  
2019/0072206 A1\* 3/2019 Liu ..... F16K 27/041  
2019/0072207 A1\* 3/2019 Liu ..... C02F 5/00  
(72) Inventors: **Guohua Liu,** Wuhu (CN); **Zhifeng He,** Wuhu (CN) (Continued)

(\*\*) Term: **15 Years**

(21) Appl. No.: **29/668,294**

(22) Filed: **Oct. 29, 2018**

(30) **Foreign Application Priority Data**

Apr. 28, 2018 (CN) ..... 2018 3 0189366

(51) **LOC (12) Cl.** ..... **23-01**

(52) **U.S. Cl.**  
USPC ..... **D23/207**

(58) **Field of Classification Search**

USPC ..... D23/205, 206, 207, 209, 233, 235, 336,  
D23/365, 366, 238-243, 250, 255  
CPC ..... B01D 2201/29; B01D 2201/30; B01D  
2201/301; B01D 2201/302; B01D  
2201/306; B01D 2201/309; B01D 35/30;  
C02F 1/008; F16K 31/52475; B01J 49/85  
See application file for complete search history.

(56) **References Cited**

**U.S. PATENT DOCUMENTS**

D335,699 S \* 5/1993 Gladfelter ..... D23/207  
5,256,283 A \* 10/1993 Buettner ..... B01J 49/85  
210/190  
6,129,836 A \* 10/2000 Grayson ..... B01J 49/75  
137/398  
D605,728 S \* 12/2009 Ma ..... F16K 31/16  
D23/207

**FOREIGN PATENT DOCUMENTS**

CN 201130096005 \* 9/2011

*Primary Examiner* — Sheryl Lane  
*Assistant Examiner* — Calvin E Vansant  
(74) *Attorney, Agent, or Firm* — Kilpatrick Townsend & Stockton, LLP

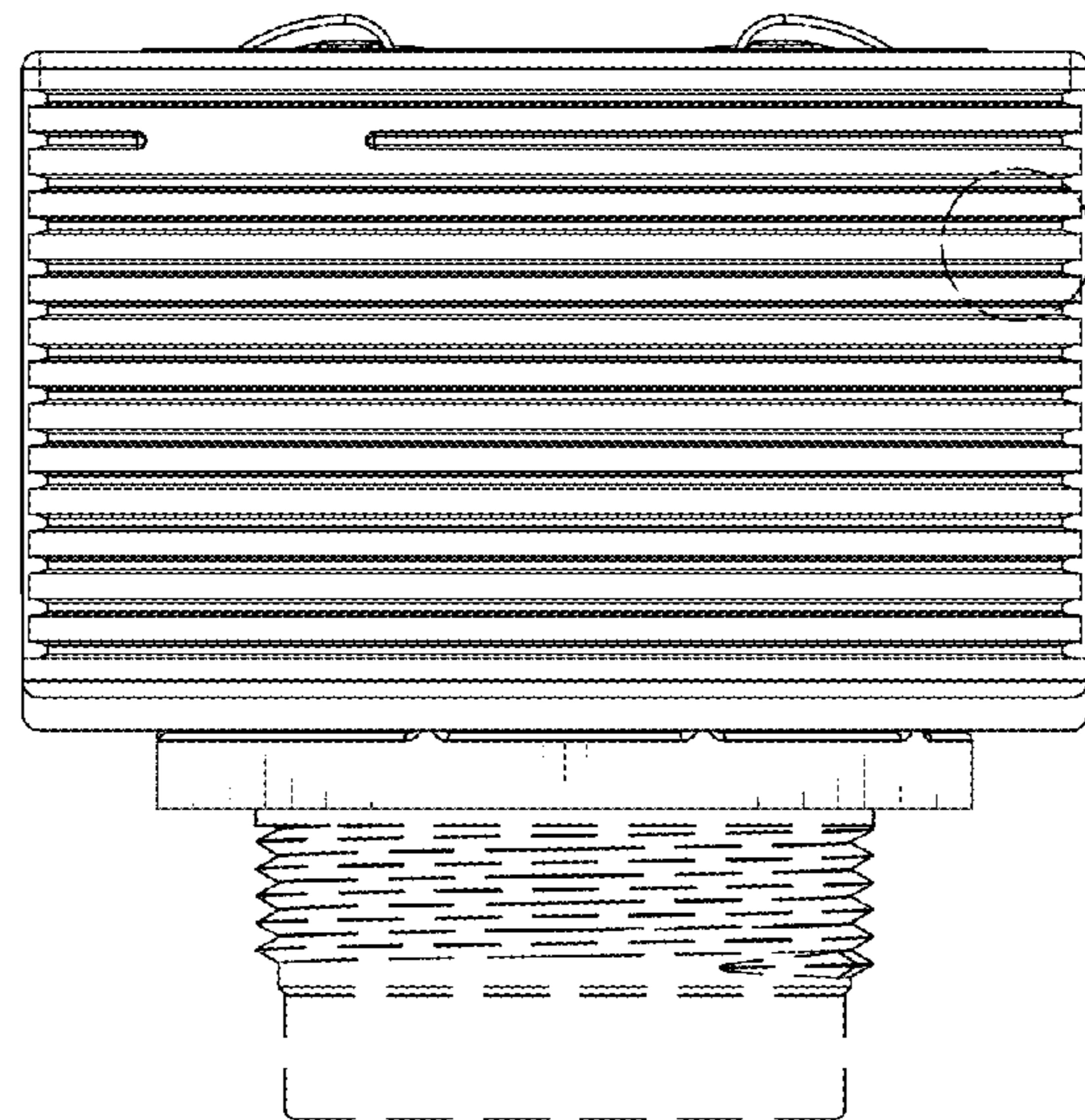
(57) **CLAIM**

The ornamental design of a water softening device, as shown and described.

**DESCRIPTION**

FIG. 1 is a front elevation view of a water softening device, showing our new design;  
FIG. 2 is a rear elevation view thereof;  
FIG. 3 is a left side elevation view thereof;  
FIG. 4 is a right side elevation view thereof;  
FIG. 5 is a top plan view thereof;  
FIG. 6 is a bottom plan view thereof;  
FIG. 7 is a first perspective view thereof;  
FIG. 8 is a second perspective view thereof; and,  
FIG. 9 is an enlargement of a portion of FIG. 1 denoted by a broken-line circle therein.  
The broken lines immediately adjacent the shaded areas represent the bounds of the claimed design while all other broken lines depict environment. The broken lines form no part of the claimed design.

**1 Claim, 9 Drawing Sheets**



(56)

**References Cited**

U.S. PATENT DOCUMENTS

2019/0072208 A1\* 3/2019 Liu ..... F16K 31/16  
2019/0072209 A1\* 3/2019 Liu ..... C02F 1/42

\* cited by examiner

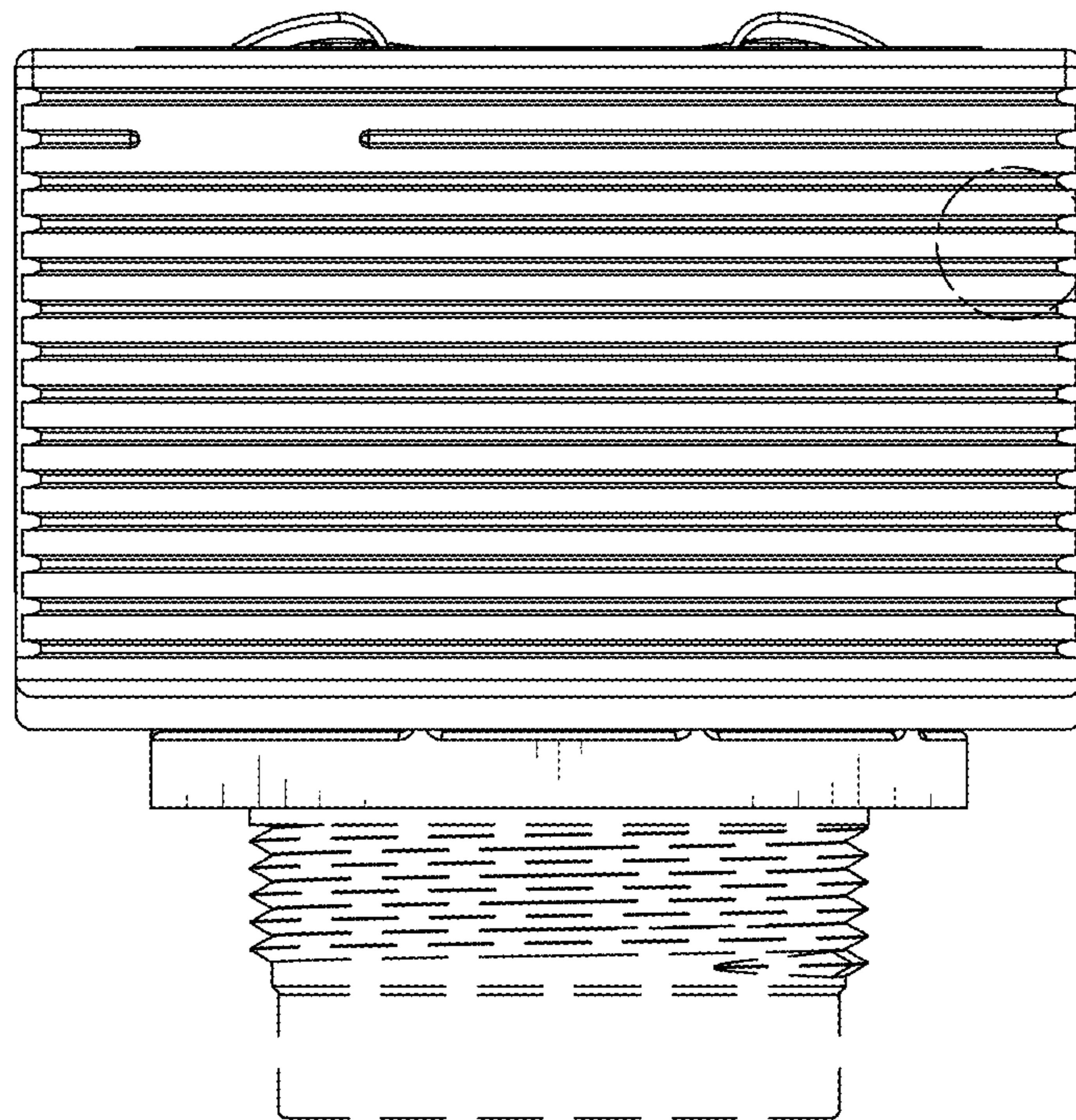


FIG. 1

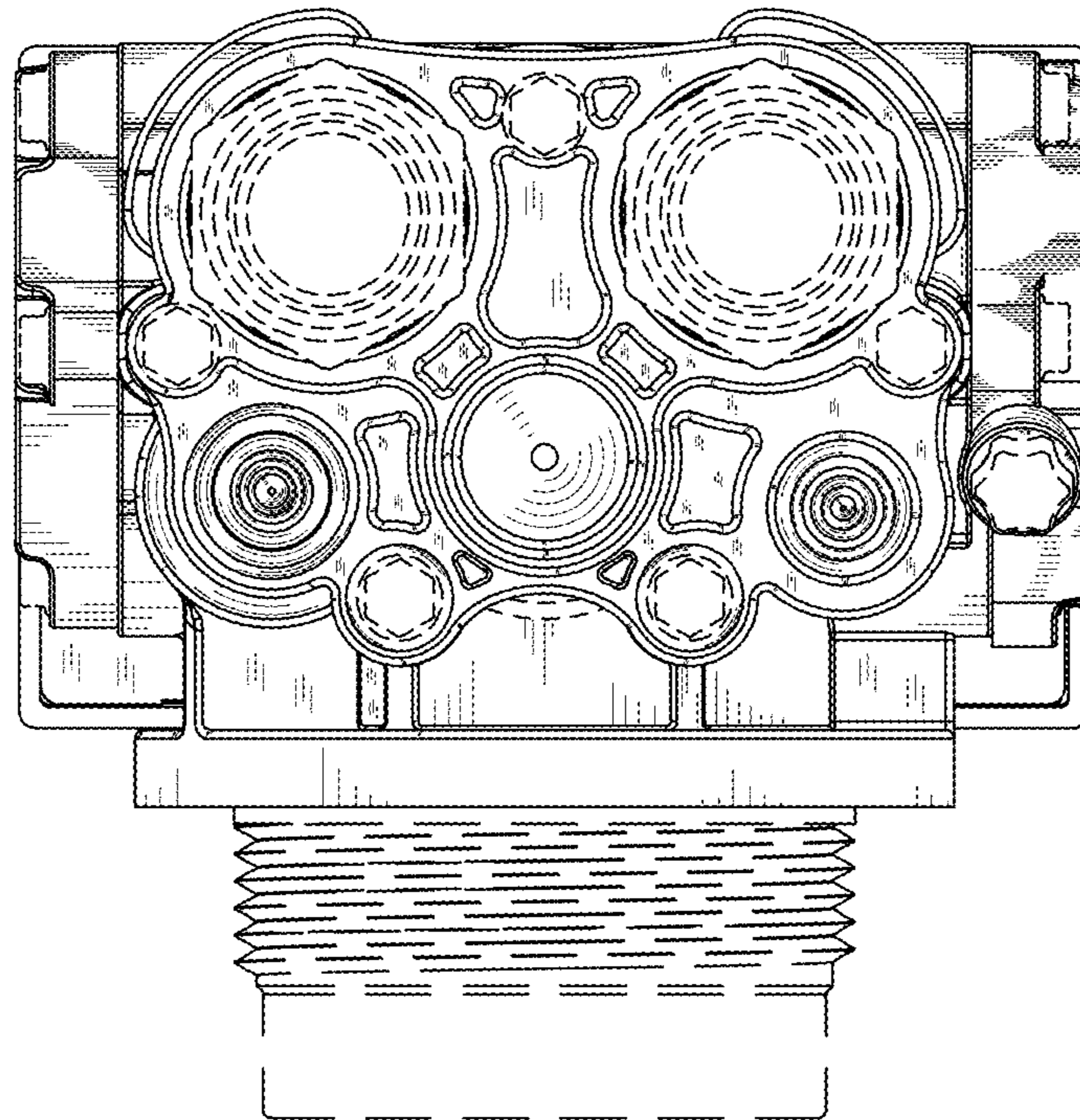


FIG. 2

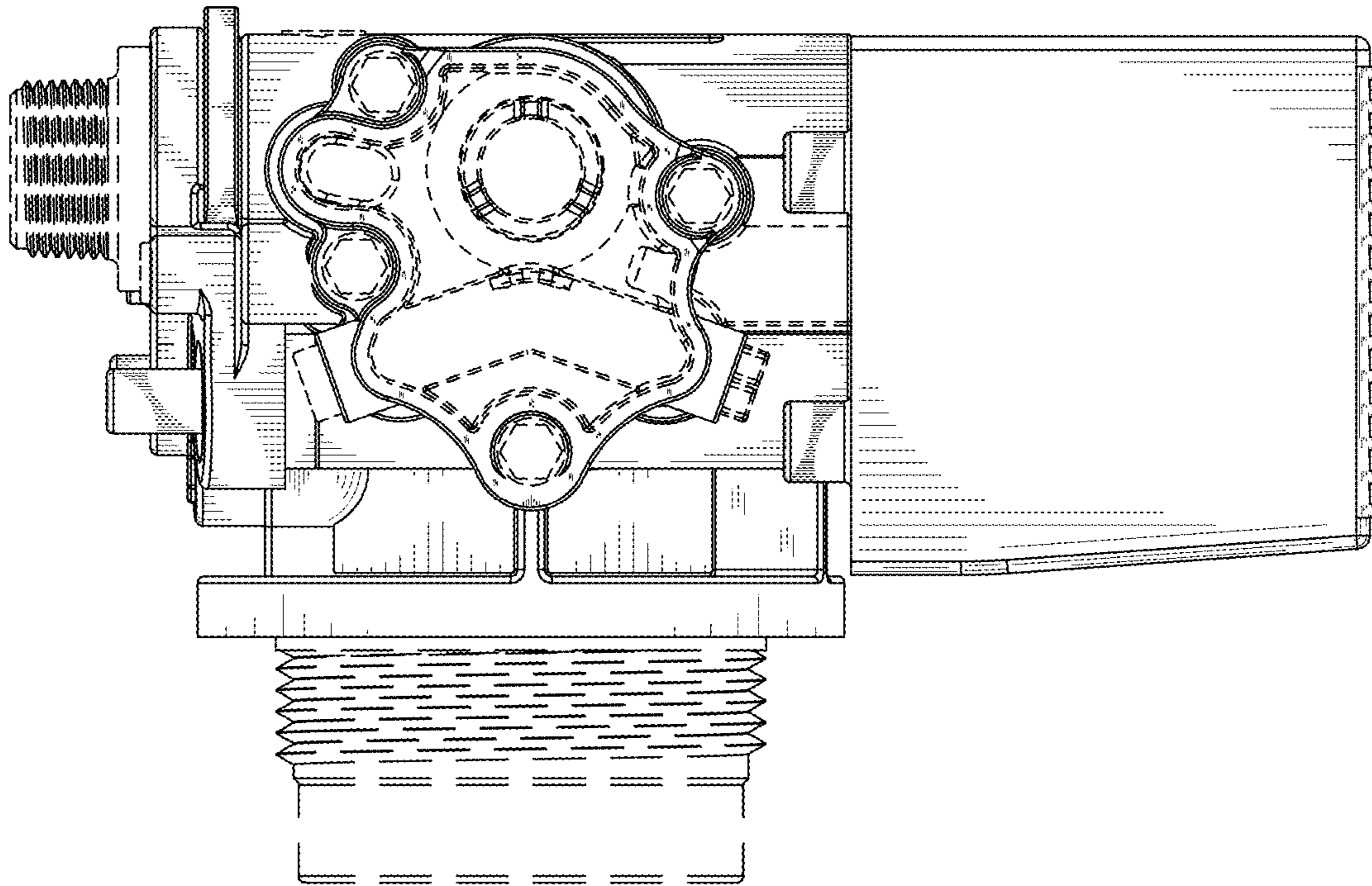


FIG. 3

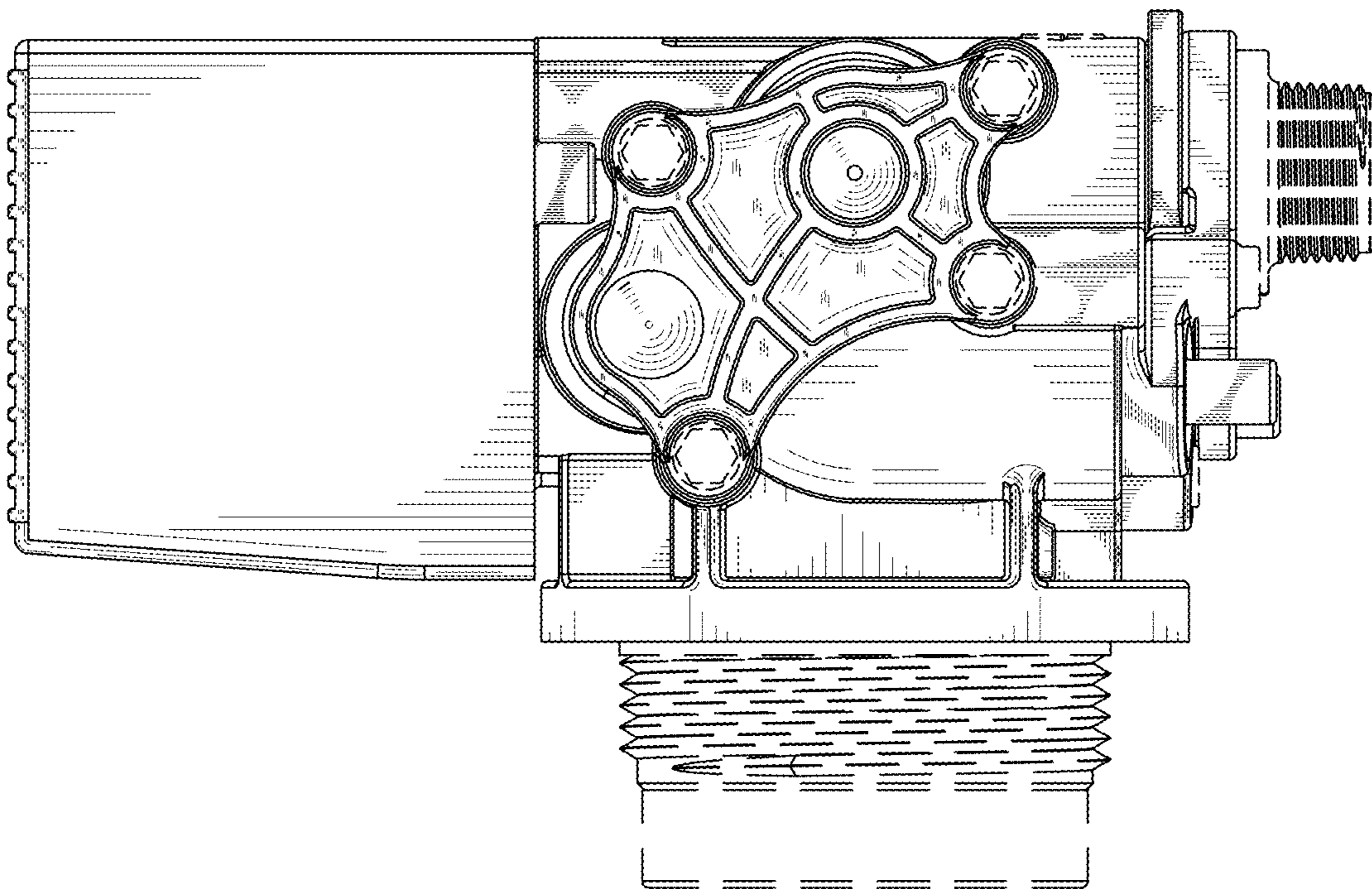


FIG. 4

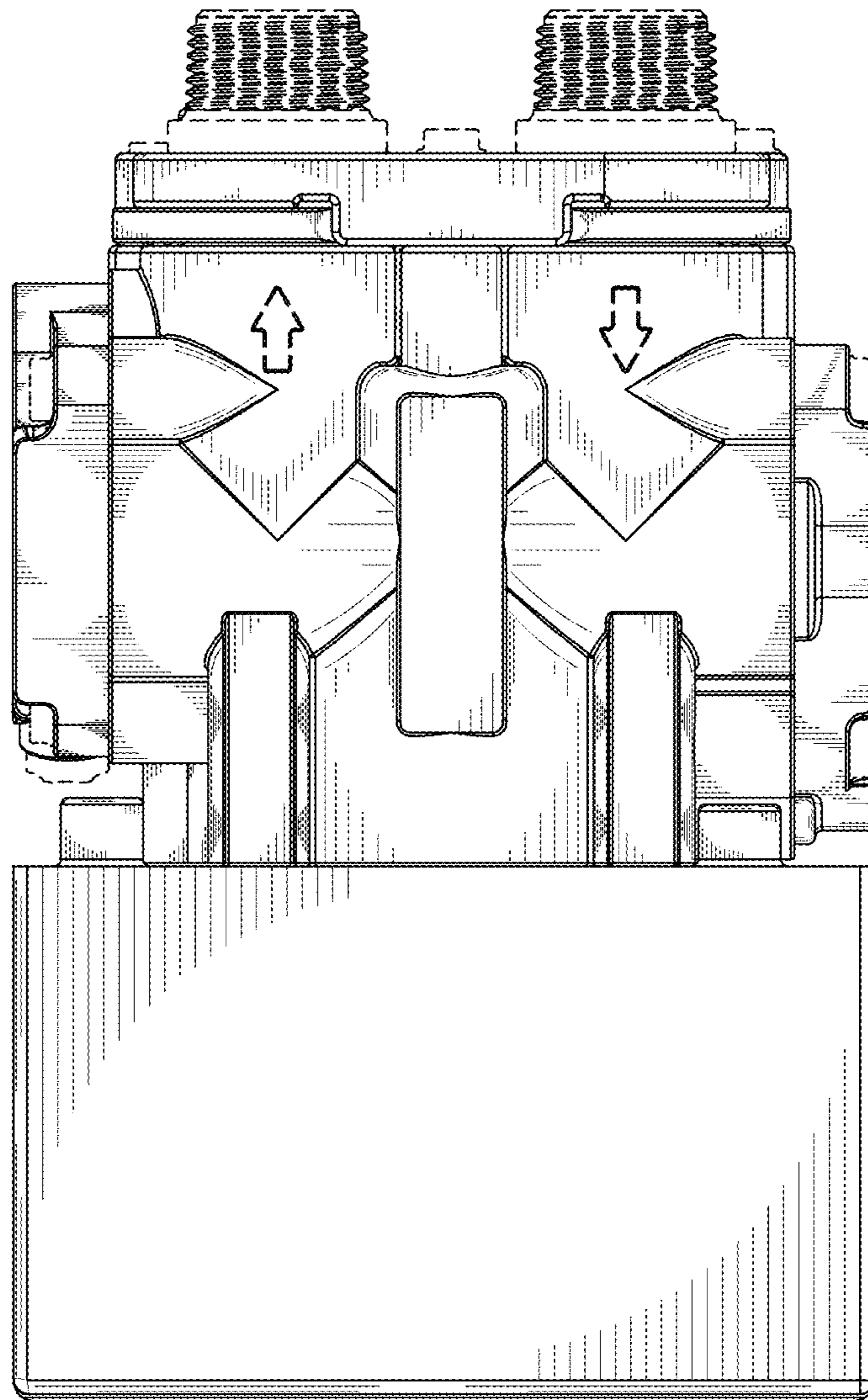


FIG. 5

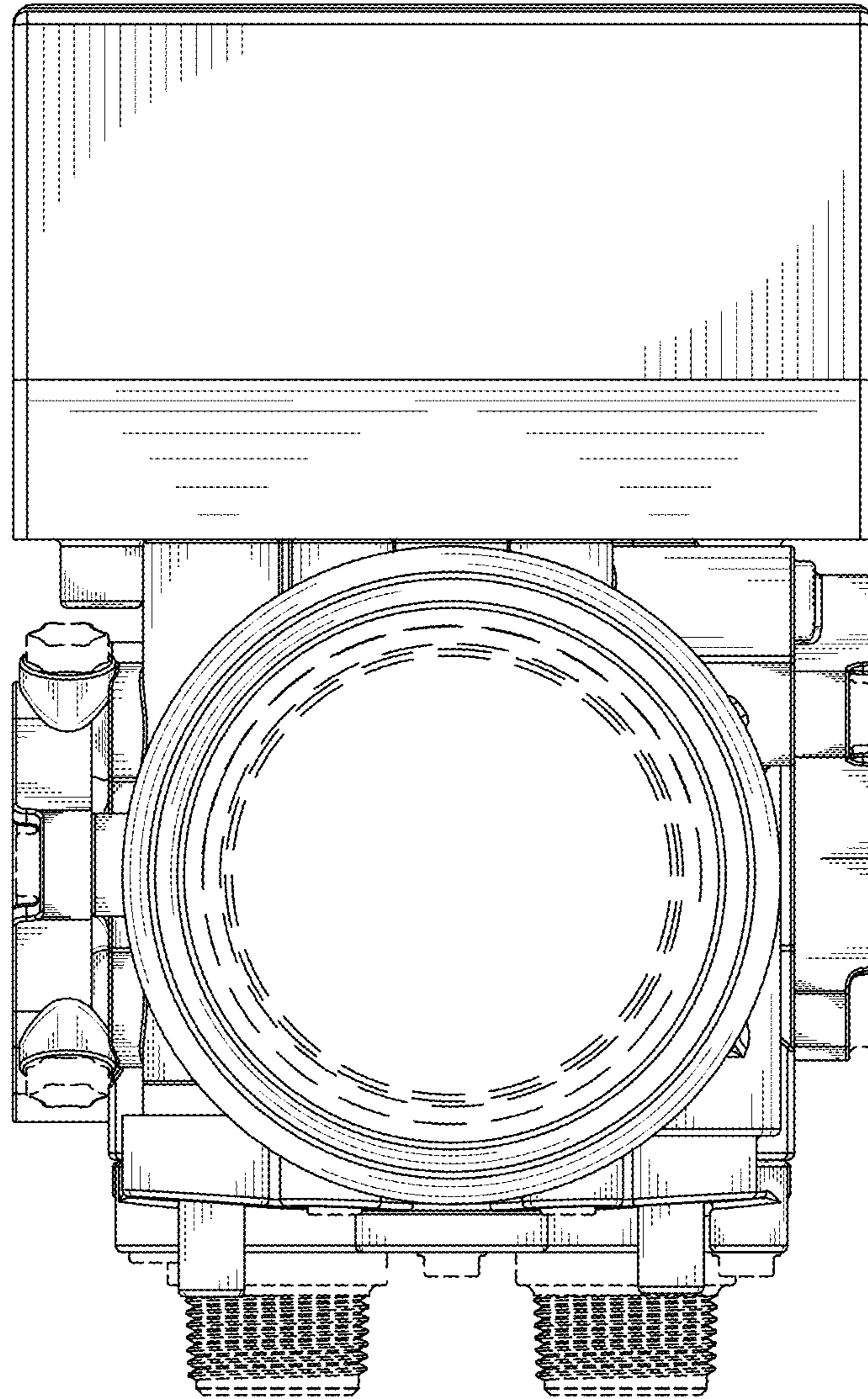


FIG. 6



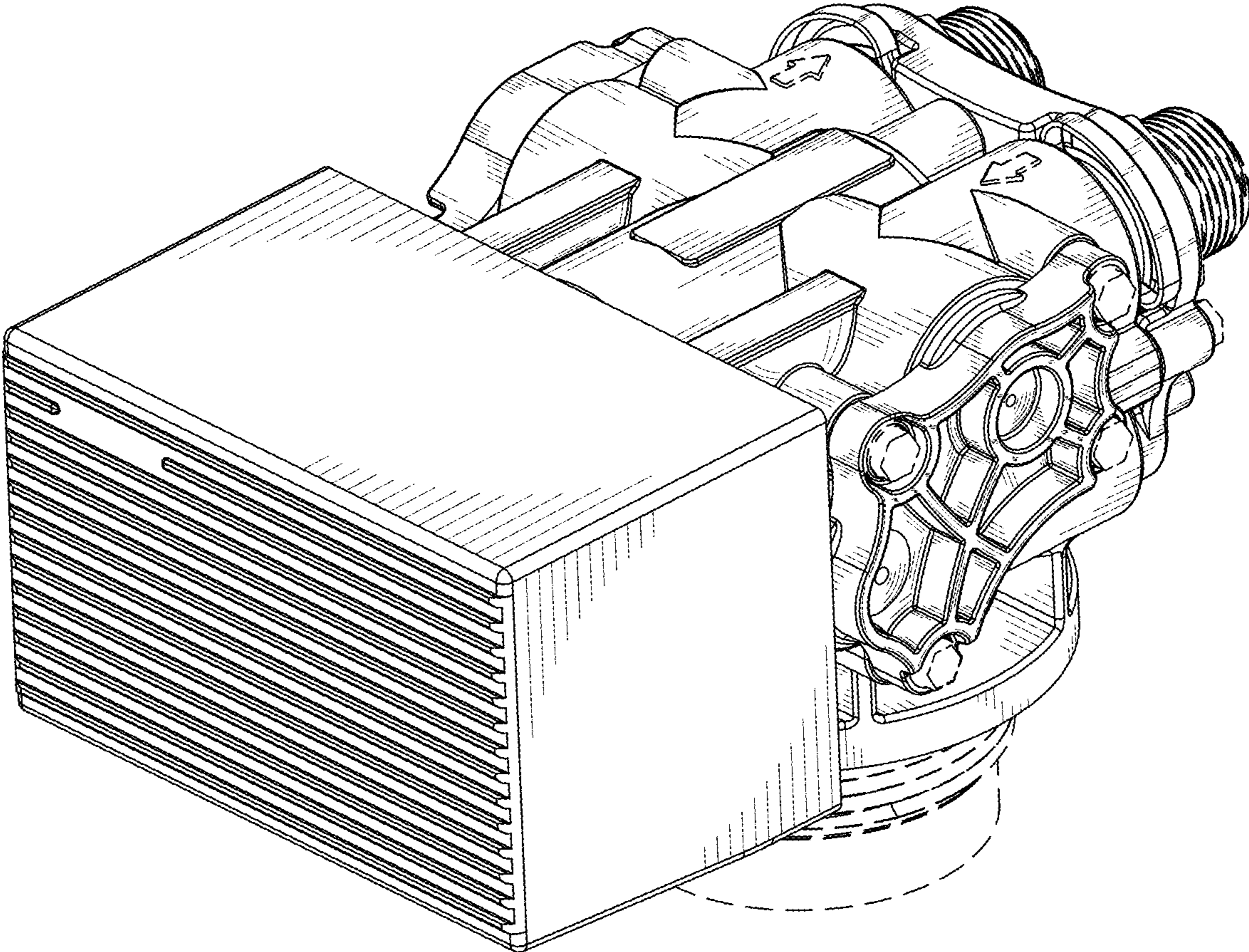


FIG. 7

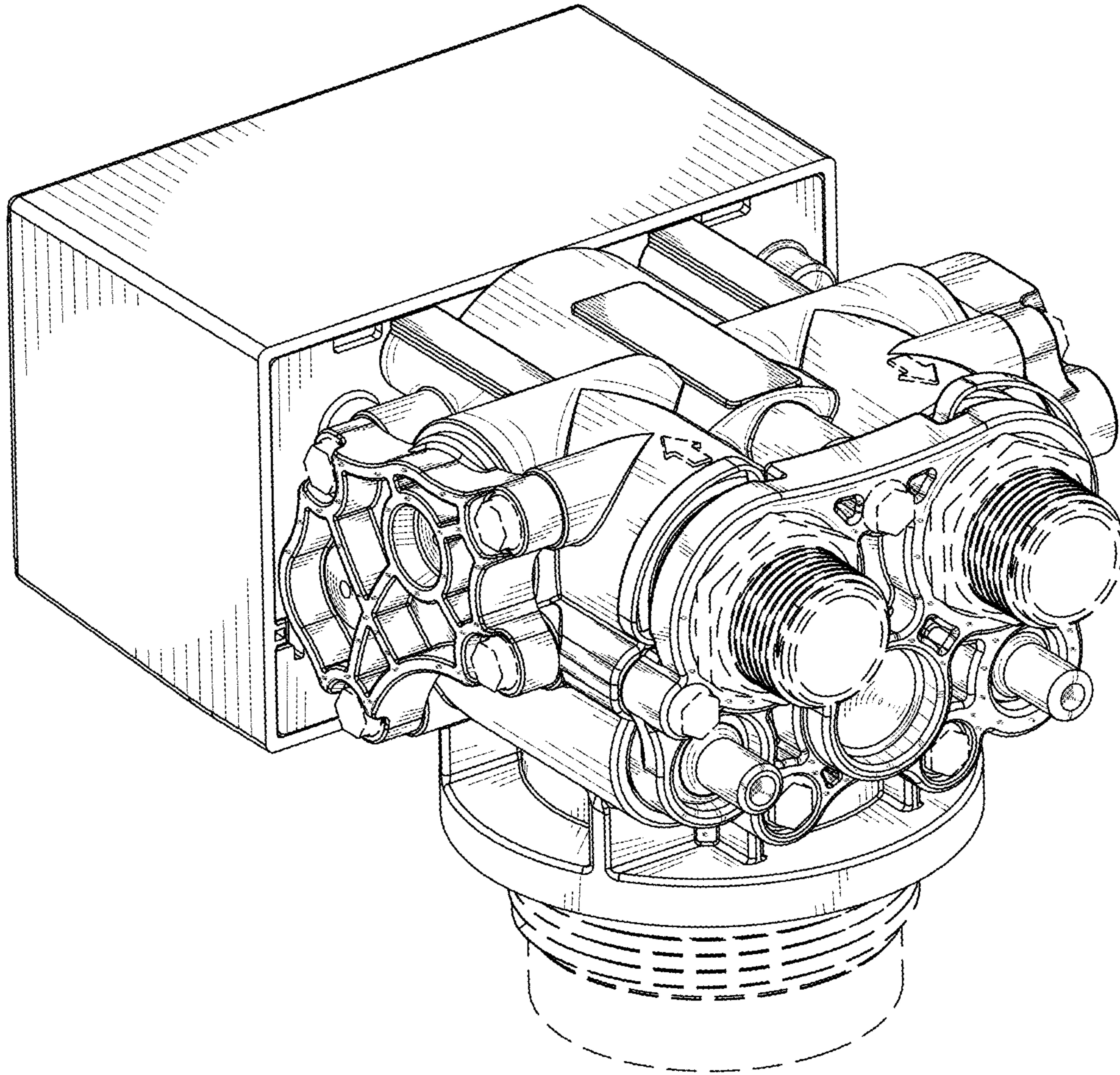


FIG. 8

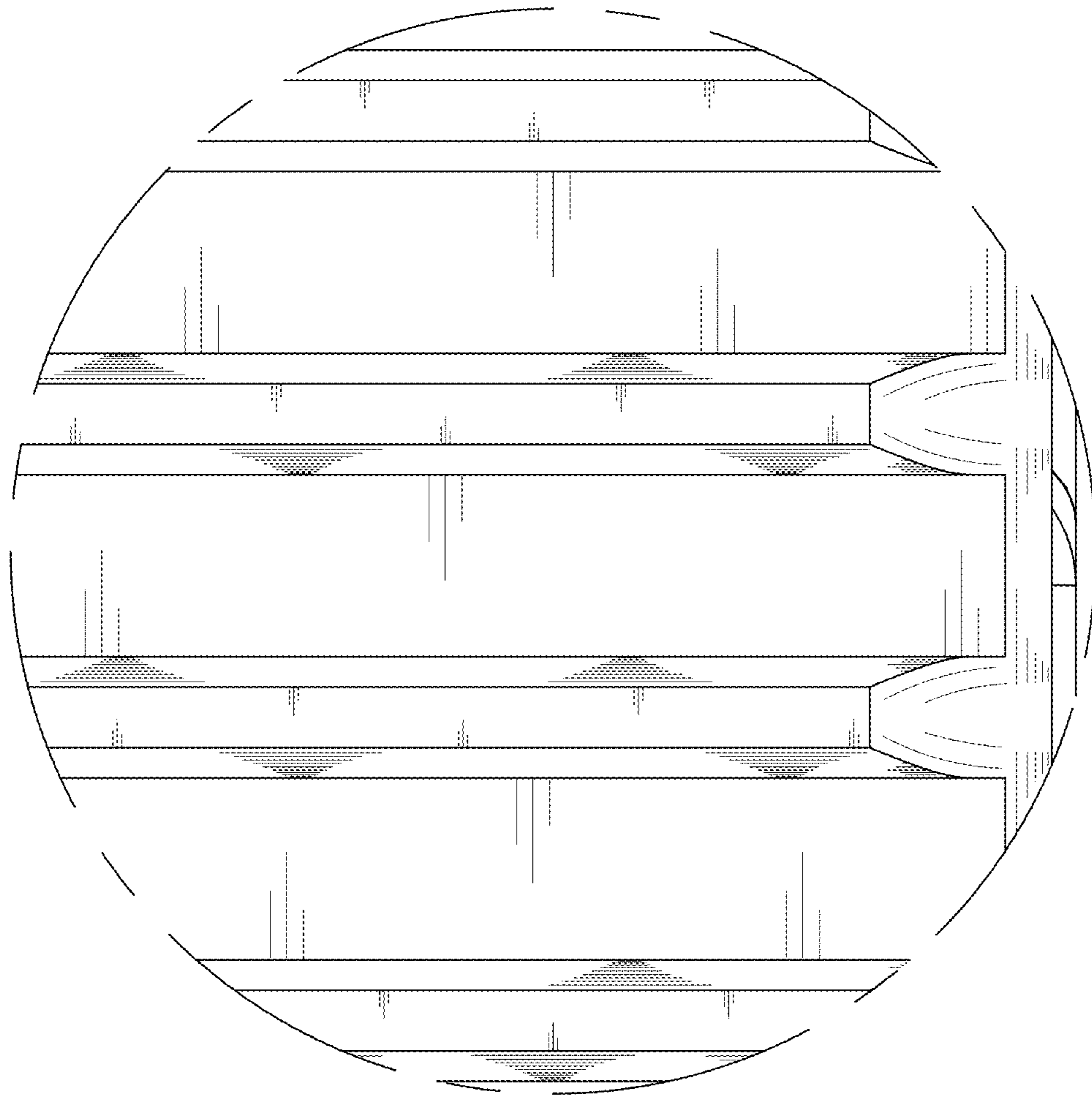


FIG. 9