



US00D895762S

(12) **United States Design Patent** (10) **Patent No.:** **US D895,762 S**
Turner (45) **Date of Patent:** **** Sep. 8, 2020**

- (54) **FISHING SWIVEL**
- (71) Applicant: **Turner Tackle LLC**, Chestertown, MD (US)
- (72) Inventor: **James Norris Turner**, Chestertown, MD (US)
- (73) Assignee: **Turner Tackle LLC**, Chestertown, MD (US)

3,335,472 A	8/1967	Imai	
3,341,966 A	9/1967	Pippen	
D211,990 S	8/1968	Smith	
4,215,505 A	8/1980	Henze et al.	
4,389,805 A	6/1983	Hargrave	
4,744,167 A	5/1988	Steele	
4,798,022 A	1/1989	Rhoades	
D346,423 S	4/1994	Kitagawa	
5,531,042 A	7/1996	Rinker et al.	
D393,688 S	4/1998	Essad	
5,781,972 A *	7/1998	Steed	A01K 91/04 43/44.83

(**) Term: **15 Years**

(Continued)

(21) Appl. No.: **29/652,084**

FOREIGN PATENT DOCUMENTS

(22) Filed: **May 6, 2020**

GB	2 355 636 A	5/2001
KR	100920452	5/2007

Related U.S. Application Data

(63) Continuation of application No. 16/423,294, filed on May 28, 2019, which is a continuation of application No. 16/249,989, filed on Jan. 17, 2019.

(51) **LOC (12) Cl.** **22-05**

(52) **U.S. Cl.**
USPC **D22/143**

(58) **Field of Classification Search**
USPC D22/134, 135, 143; 24/600.9, 601.3,
24/131 C, 573.09, 582.1, 592.1; 43/43.1,
43/44.83

CPC A01K 91/04; A01K 95/00; Y10S 24/908;
Y10S 24/45408; Y10T 24/45424
See application file for complete search history.

OTHER PUBLICATIONS

Ringer Swivels/Circle Hook Fishing Swivel, Amazon.com (2 pages) (Year: 2019).*

(Continued)

Primary Examiner — Catherine R Oliver-Garcia
(74) *Attorney, Agent, or Firm* — Mark Nowotarski

(57) **CLAIM**

The ornamental design for a fishing swivel, as shown and described.

DESCRIPTION

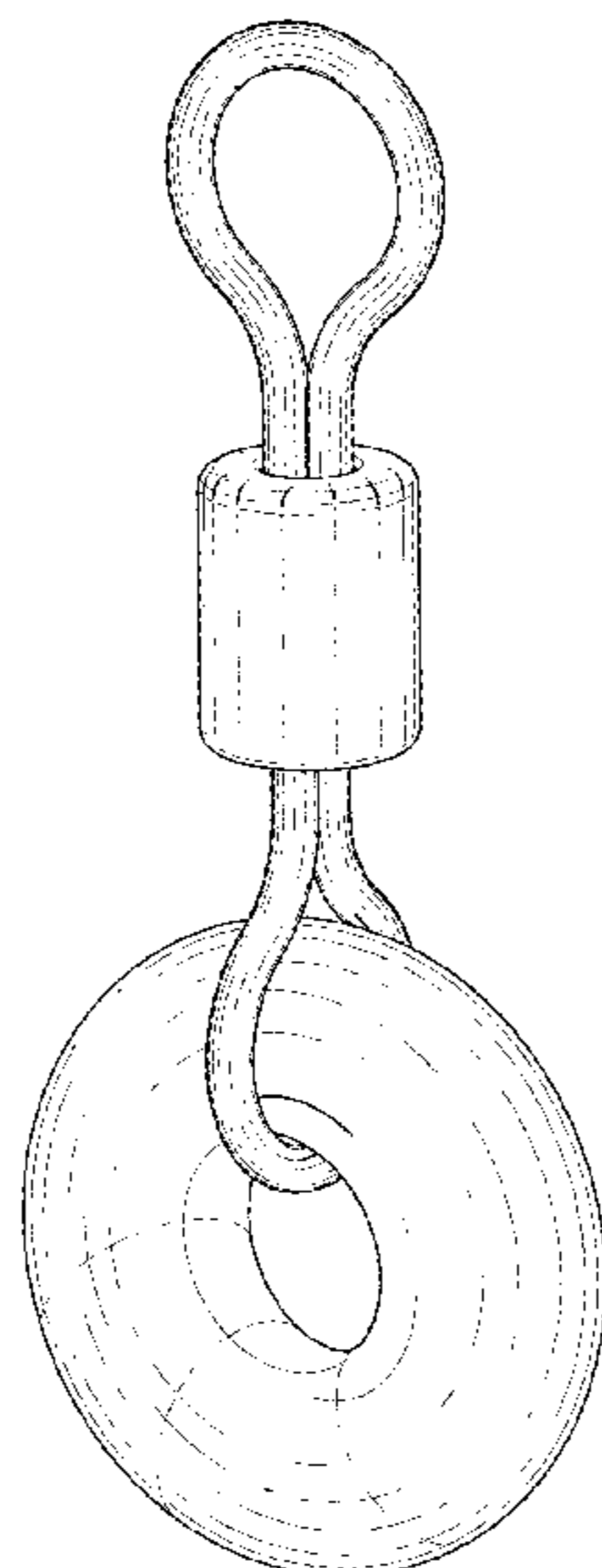
FIG. 1 is a first perspective view of fishing swivel.
FIG. 2 is a second perspective view thereof.
FIG. 3 is a front view thereof.
FIG. 4 is a back view thereof.
FIG. 5 is a top view thereof.
FIG. 6 is a bottom view thereof.
FIG. 7 is a left view thereof; and,
FIG. 8 is a right view thereof.

(56) **References Cited**

U.S. PATENT DOCUMENTS

1,766,532 A *	6/1930	Pflueger	A01K 91/03 43/43.1
1,946,641 A	2/1934	Sisco	
2,313,647 A *	3/1943	Knill	A01K 95/00 43/43.1
2,766,545 A	10/1956	Wimer	
3,092,412 A	6/1963	Drake	

1 Claim, 5 Drawing Sheets



(56)

References Cited

U.S. PATENT DOCUMENTS

5,887,381	A	3/1999	Stephenson	
6,601,336	B1	8/2003	Link	
6,948,275	B1	9/2005	Lehmann	
D624,986	S	10/2010	Sim	
7,980,021	B2	7/2011	Siatkowski	
D645,933	S	9/2011	Henry, Jr.	
D697,165	S	1/2014	Lorentz	
9,010,015	B2	4/2015	Lorentz	
D744,607	S	12/2015	Bennis	
D816,184	S	4/2018	Kim	
D816,185	S *	4/2018	Kim	D22/134
D874,085	S	1/2020	Guidry	
2003/0159332	A1	8/2003	Crochet	
2005/0204608	A1	9/2005	Lehmann	
2006/0070291	A1	4/2006	Pomeroy	
2006/0156612	A1	7/2006	Brzozowski	
2008/0066370	A1	3/2008	Wichern	
2011/0016768	A1	1/2011	Tarquini	
2011/0041379	A1	2/2011	Salomon et al.	
2012/0023806	A1 *	2/2012	Henry, Jr.	A01K 91/04 43/43.1

OTHER PUBLICATIONS

Northland Fishing Tackle, “Swivel-Head Jig”, <https://shop.northlandtackle.com/jigs/swivel-head-jig/>, last viewed Apr. 10, 2020.
 Cabela’s, “Sampo Lock Snap Swivels—Nickel”, https://www.cabelas.com/product/Sampo-Lock-Snap-Swivels-Nickel/702233.uts?productVariantId=1228807&WT.tsrc=PPC&WT.mc_id=GoogleProduct%E2%80%A6, last viewed Mar. 31, 2020.
 “Double Wacky Hook, have you seen it yet!”, <https://www.westernbass.com/forum/double-wacky-hook-have-you-seen-yet-t75178.html>, last viewed Mar. 31, 2020.
 “Spro Ball Bearing Swivel with Split Ring-Pack of 5”, https://www.amazon.com/dp/B000ALGHLK/ref=cm_sw_r_cp_api_i_WSKGEbA53F7PA, last viewed Mar. 31, 2020.
 “Gerry Rig”, <http://livebaitclip.com/>, last viewed Mar. 28, 2020.
 “Silver Tone Metal 5mm Eyelet Barbed Pointed Fishing Hook Fishhook”, <https://www.newegg.com/p/0GC-00B7-000X7>, last viewed Mar. 28, 2020.
 Cabela’s “VMC 7548BD Bladed Hybrid 1X Short Treble Hook”, <https://www.cabelas.com/product/VMC-BLADED-HYBRID->

TREBLE-SHORT-X/3414067.uts?productVariantId=6773816&WT.tsrc=PPC&WT.mc_id=Go%E2%80%A6, last viewed Apr. 13, 2020.
 InTheBite the Professionals’ Sportfishing Magazine, “Increase Your Hook-Up Ratio! Ringer Swivels are Game Changers”, Sep. 2018, last viewed Apr. 21, 2020.
 BlueWater, “Rapid bait-changes & better hook-ups”, Issue 137, last viewed Apr. 20, 2020.
 Florida Sport Fishing, May/June 2019, Baitfish Profiles, A New Spin, “Rigging the Perfect Pitch Bait”, last viewed Apr. 20, 2020.
 Marlinmag.com, “The Circle-Hook Revolution”, Mar. 2019, last viewed Apr. 20, 2020.
 Marlinmag.com, “Crazy Days in Cape Verde”, “Dead-Bait Updates”, Oct. 2018, last viewed Apr. 20, 2020.
 The Hull Truth—Boating and Fishing Forum, “Ringer Swivels—Circle Hook Marlin fishing!!”, dated May 26, 2018, “The Circle-Hook Revolution”, <https://www.thehulltruth.com/fishing-miscellaneous-items-commercial-sellers-only/933919-ringer-swivels-circle-hook-marlin-fishing.html?styleid=9>, last viewed Apr. 21, 2020.
 Big Game Fishing Journal, “Ringer Swivels”, dated Sep./Oct. 2018, last viewed Apr. 20, 2020.
 Greentree Information Service, LLC; Patent Search Report for Invention: Fishing Line Swivel dated Apr. 19, 2020; last viewed Apr. 20, 2020.
 Miscellaneous Internet Images, last viewed Dec. 13, 2018.
 English Translation of KR 100920452, “Apparatus and method for sensing bobber”, last viewed Dec. 13, 2018.
 “O-Ring Durometer Chart”, https://www.theoringstore.com/index.php?main_page=page&id=7, last viewed Dec. 28, 2018.
 Ringer Swivels™ Testimonials, <https://www.ringerswivels.com/testimonials/>, last viewed Dec. 29, 2018.
 en.wikipedia.org, “Torus”, <https://en.wikipedia.org/wiki/Torus>, last viewed Dec. 18, 2018.
 “O-Ring Circle Hook Ballyhoo Rig”, http://www.fishtrack.com/how-to/o-ring-circle-hook-ballyhoo-rig_106330, last viewed Dec. 3, 2018.
 “Rigger’s Corner”, <https://www.pressreader.com/usa/marlin/20181001/281582356493945>, last viewed Nov. 29, 2018.
 Capt. John Galvin, “The Three Ballyhoo Rigs Every Offshore Fisherman Should Know” dated Aug. 11, 2014, <https://www.onthewater.com/three-ballyhoo-rigs-every-offshore-fisherman-know>, last viewed Dec. 3, 2018.

* cited by examiner

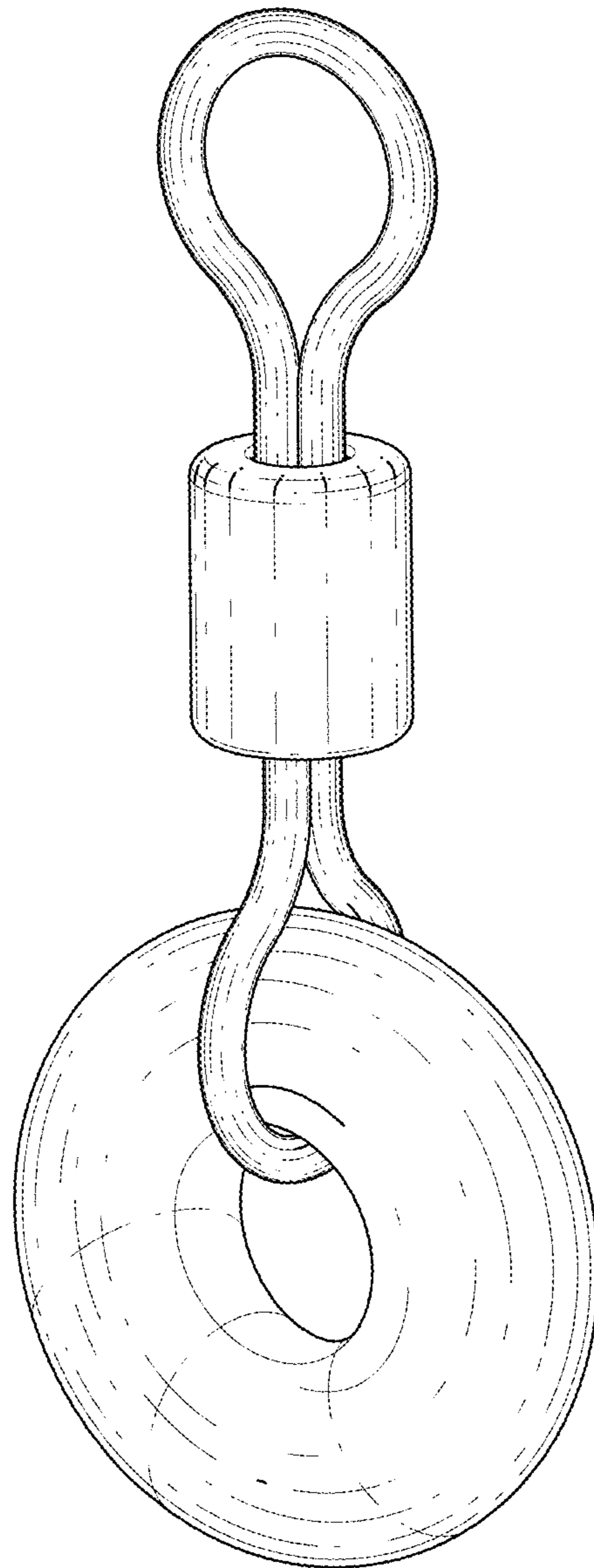


FIG. 1

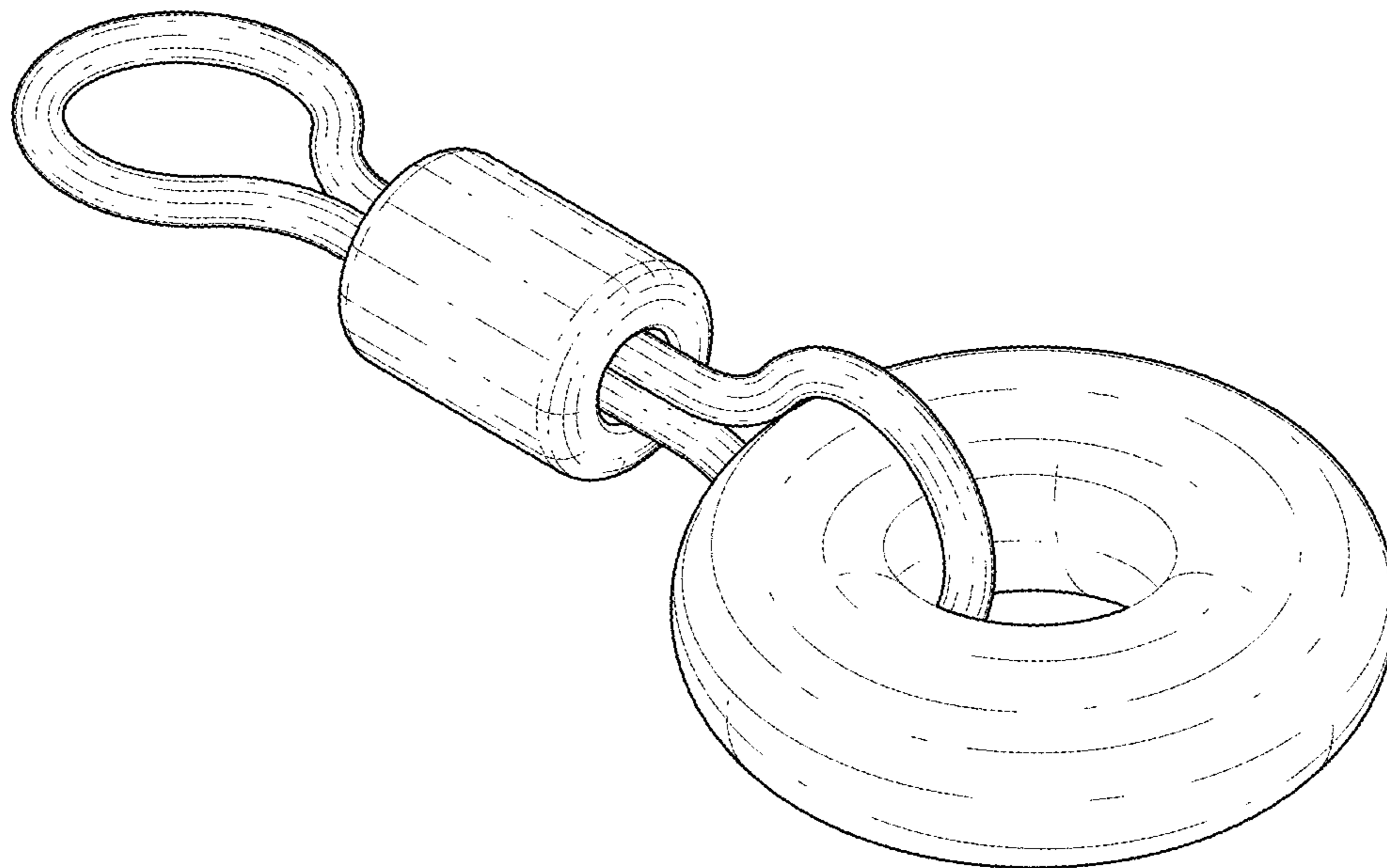


FIG. 2

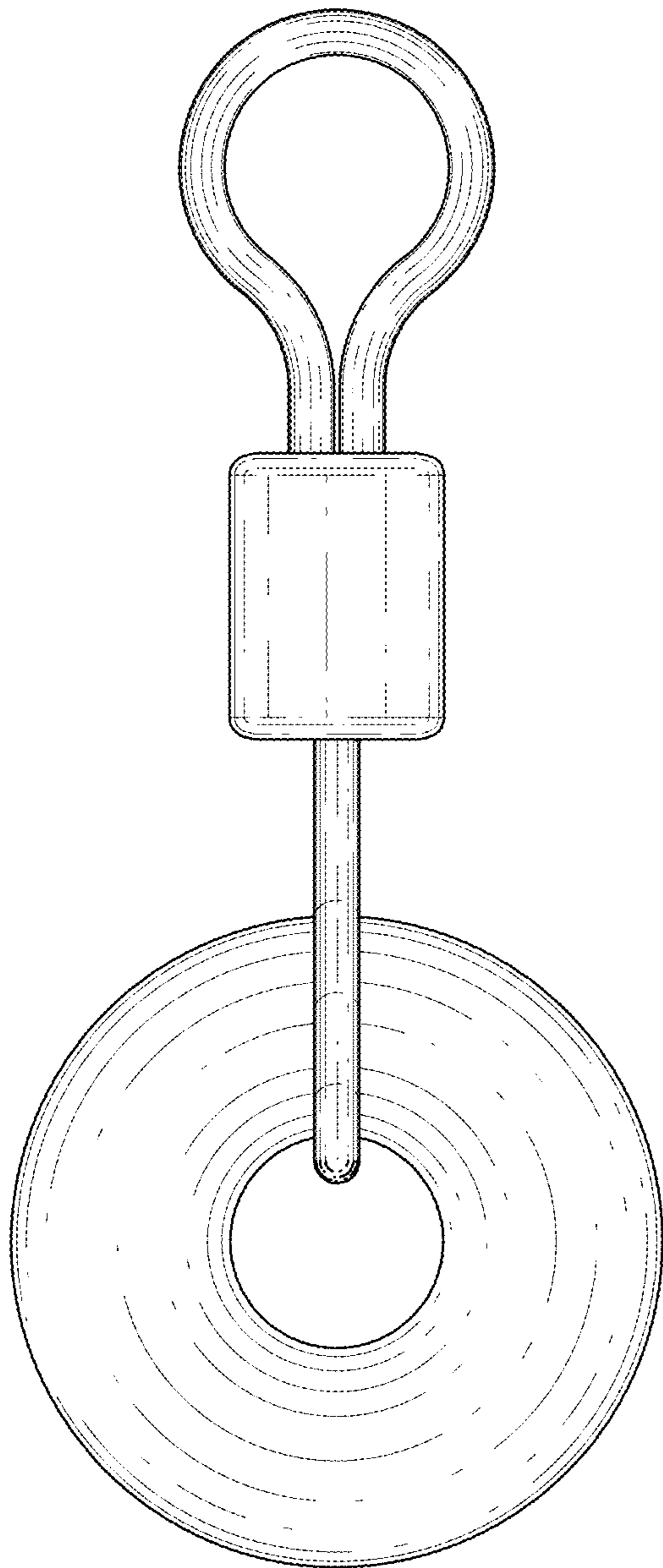


FIG. 3

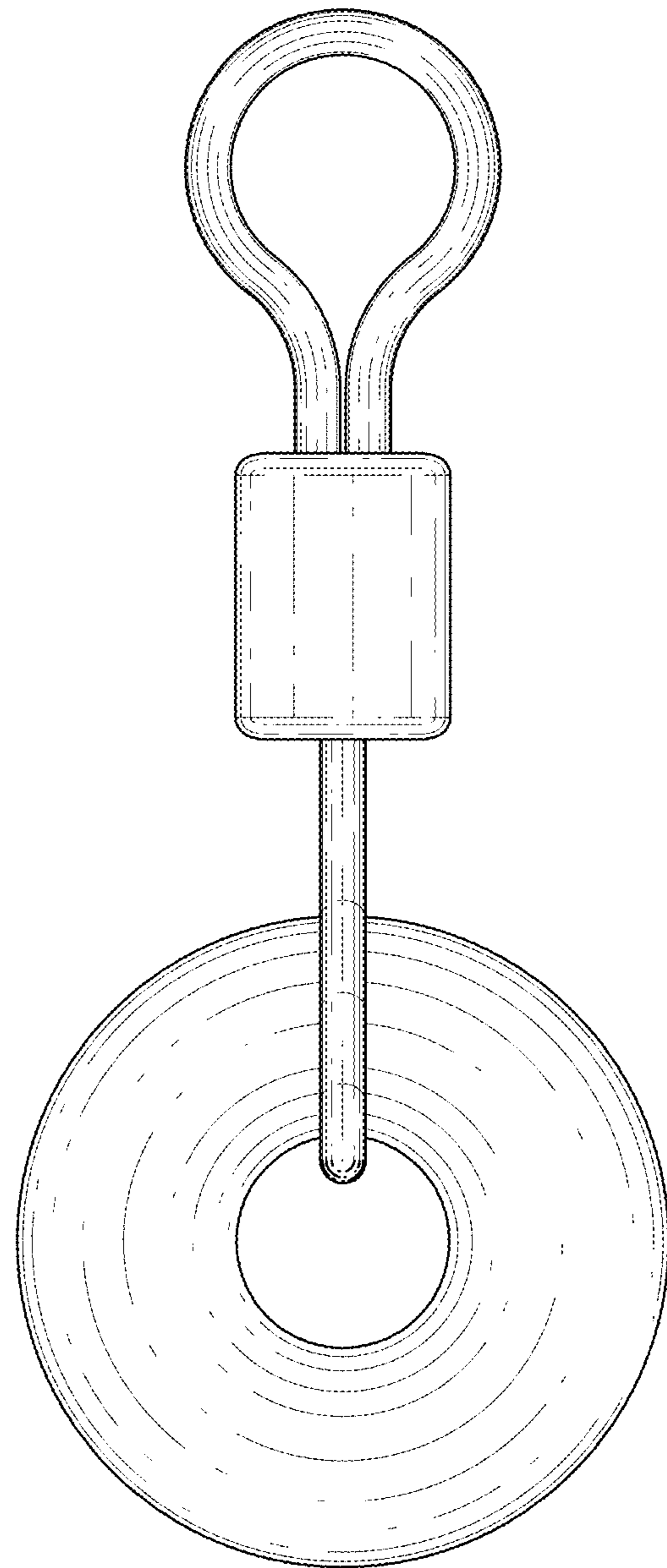


FIG. 4

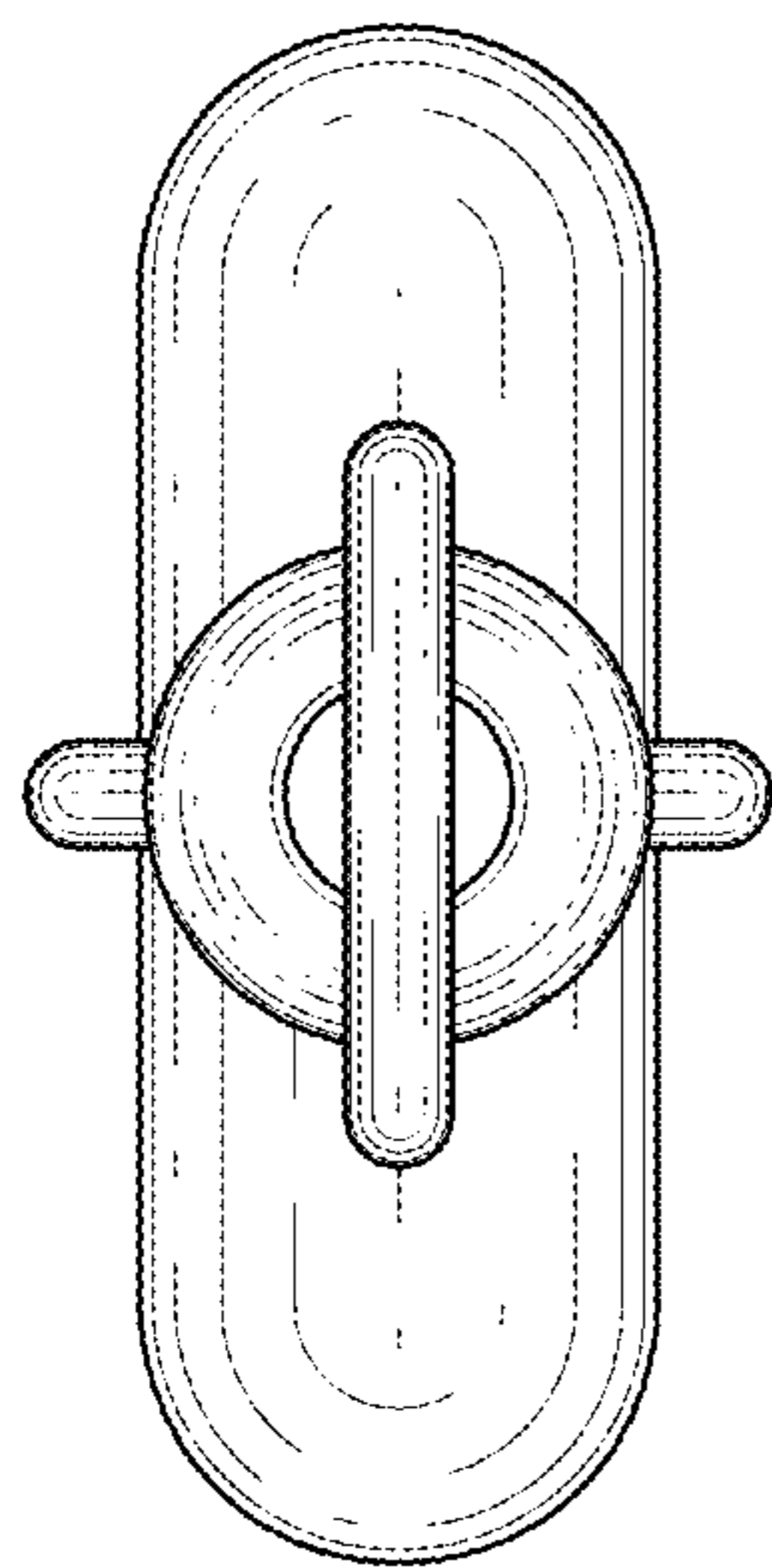


FIG. 5

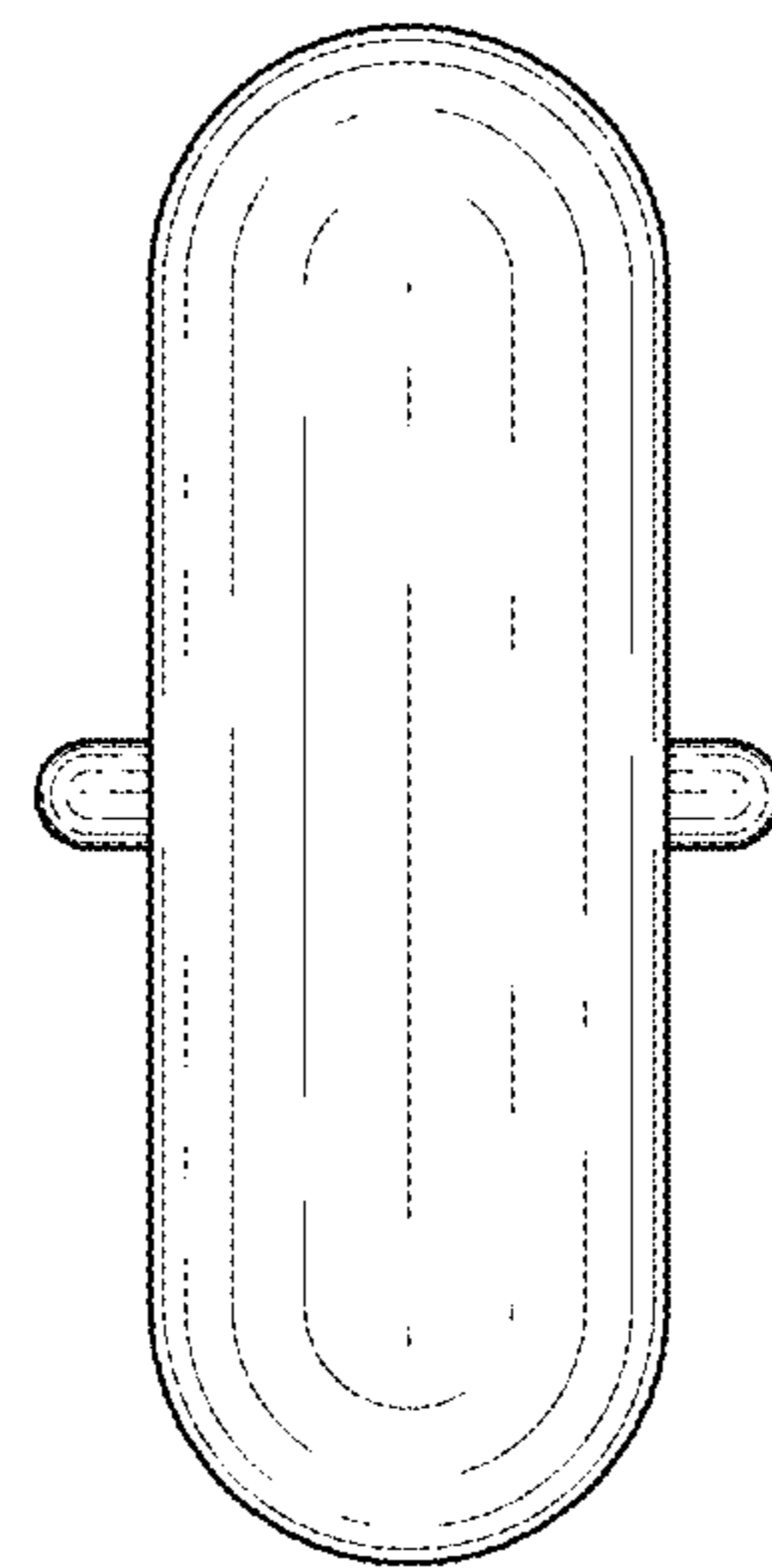


FIG. 6

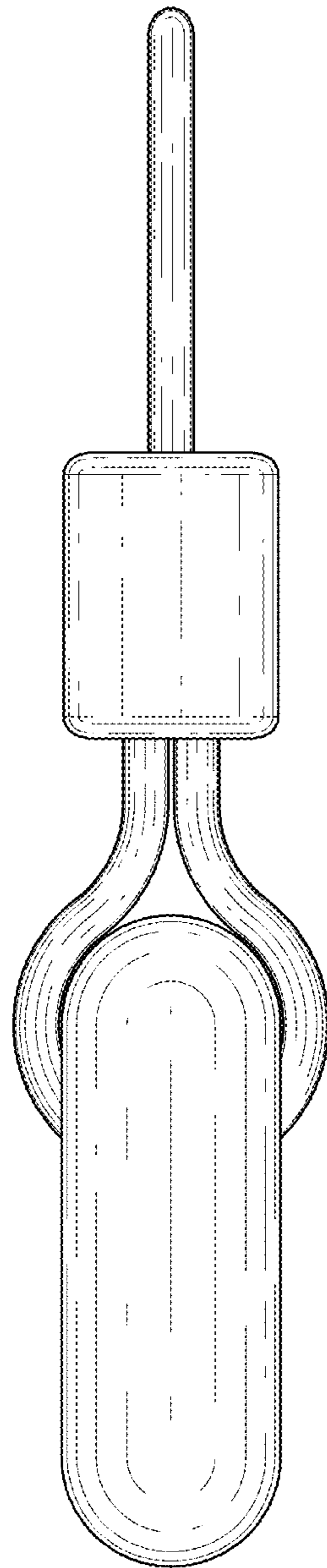


FIG. 7

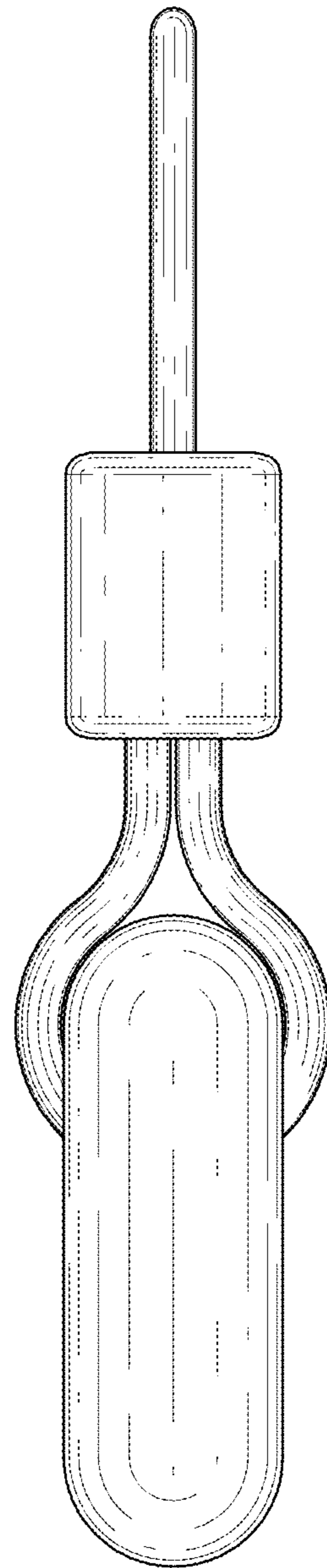


FIG. 8