



US00D895760S

(12) **United States Design Patent**  
**Johnston**

(10) **Patent No.:** **US D895,760 S**

(45) **Date of Patent:** **\*\* Sep. 8, 2020**

(54) **SIGHT**

(71) Applicant: **Crimson Trace Corporation,**  
Wilsonville, OR (US)

(72) Inventor: **William Johnston,** Sherwood, OR (US)

(73) Assignee: **Crimson Trace Corporation,**  
Springfield, MA (US)

(\*\*) Term: **15 Years**

(21) Appl. No.: **29/673,866**

(22) Filed: **Dec. 18, 2018**

(51) **LOC (12) Cl.** ..... **22-01**

(52) **U.S. Cl.**  
USPC ..... **D22/109**

(58) **Field of Classification Search**  
USPC ..... D22/100, 103, 104, 105, 108, 109, 110,  
D22/111, 199; D21/567, 573, 574, 575  
CPC ..... F41C 23/04; F41C 23/08; F41C 23/16;  
F41G 1/02; F41G 1/027; F41G 1/06;  
F41A 17/46; F41A 19/11

See application file for complete search history.

(56) **References Cited**

**U.S. PATENT DOCUMENTS**

D612,006 S *	3/2010	Kohler	.....	D22/109
D618,756 S *	6/2010	Kohler	.....	D22/109
D619,194 S *	7/2010	Kohler	.....	D22/109
8,087,196 B2 *	1/2012	Jung	.....	F41G 1/30 42/113
10,175,029 B2 *	1/2019	Teetzel	.....	F41G 1/01
D846,689 S *	4/2019	Cheng	.....	D22/109
D847,292 S *	4/2019	Hoff	.....	D22/109
D848,567 S *	5/2019	Soejima	.....	D22/109
D849,180 S *	5/2019	Cheng	.....	D22/109
2012/0151816 A1 *	6/2012	Kleck	.....	F41G 1/30 42/132
2014/0096431 A1 *	4/2014	Tang	.....	F41G 1/30 42/132
2015/0198415 A1 *	7/2015	Campean	.....	F41G 1/18 42/137

**OTHER PUBLICATIONS**

“Vortex Optics Venom Red Dot Sights” [online]. Vortex. [Retrieved on Dec. 17, 2019]. Retrieved from the Internet: <<https://www.amazon.com/Vortex-Optics-Venom-Red-Sights/dp/B00S2P2J90>>.\*  
“HOLOSUN HE507C-GR Elite 1x, 2 MOA Reticle, Green Dot Sight, Black” [online]. HOLOSUN. [Retrieved on Dec. 17, 2019]. Retrieved from the Internet: <<https://www.amazon.com/dp/B07FP22K6F>>.\*  
“Crimson Trace®: CTS-1400 Electronic Sight Profile” [online]. Crimson Trace. [Published Oct. 1, 2018]. Retrieved from the Internet: <<https://www.youtube.com/watch?v=H3gAJKYcgU4>>.\*  
“Leica Tempus ASPH Red Dot Sight” [online]. Hrachya H. [Published Apr. 18, 2018]. Retrieved from the Internet: <<https://www.thefirearmblog.com/blog/2018/04/18/leica-tempus-red-dot-sight/>>.\*

\* cited by examiner

*Primary Examiner* — Khawaja Anwar  
*Assistant Examiner* — Mojtaba Tehrani  
(74) *Attorney, Agent, or Firm* — Schwabe, Williamson & Wyatt, P.C.

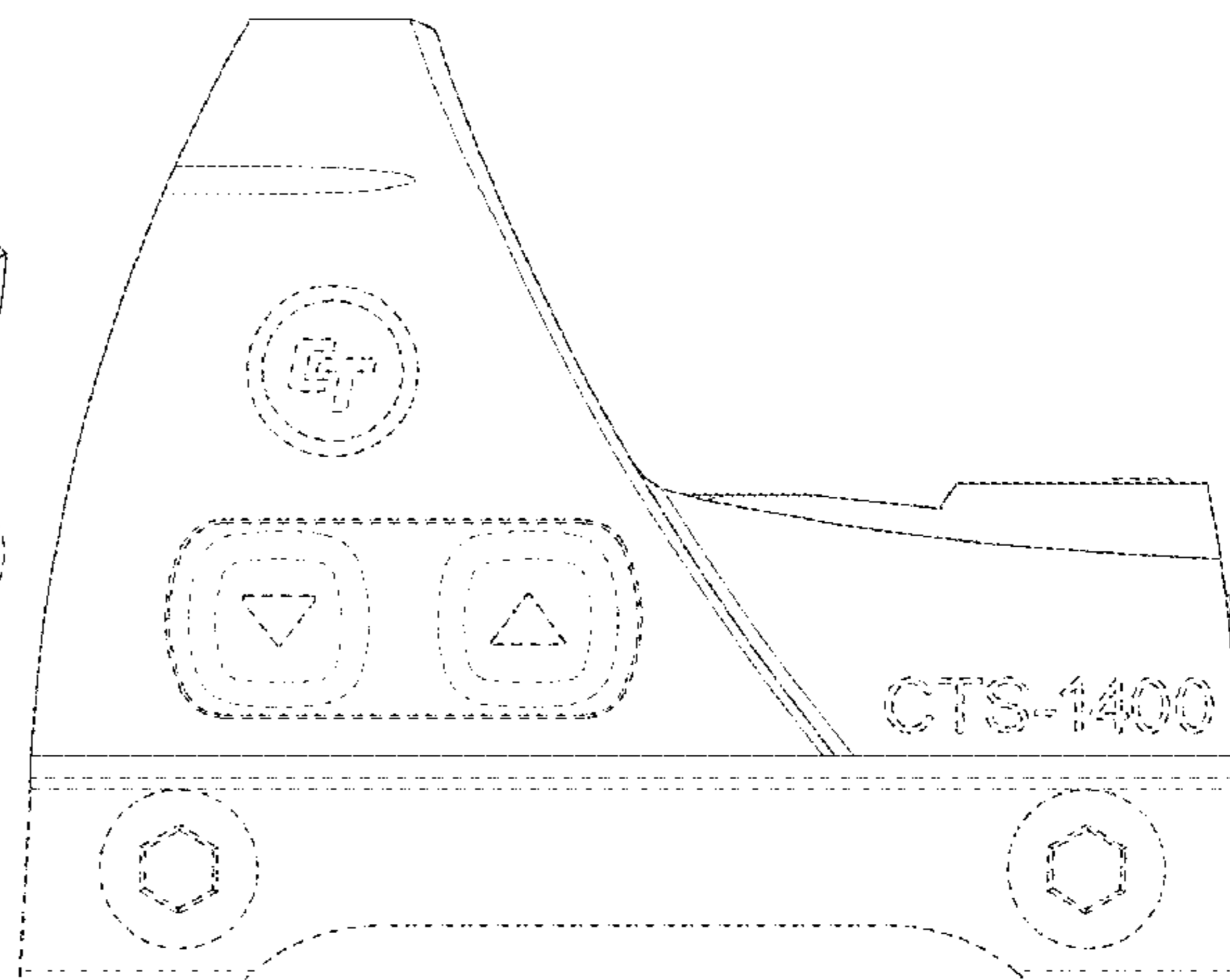
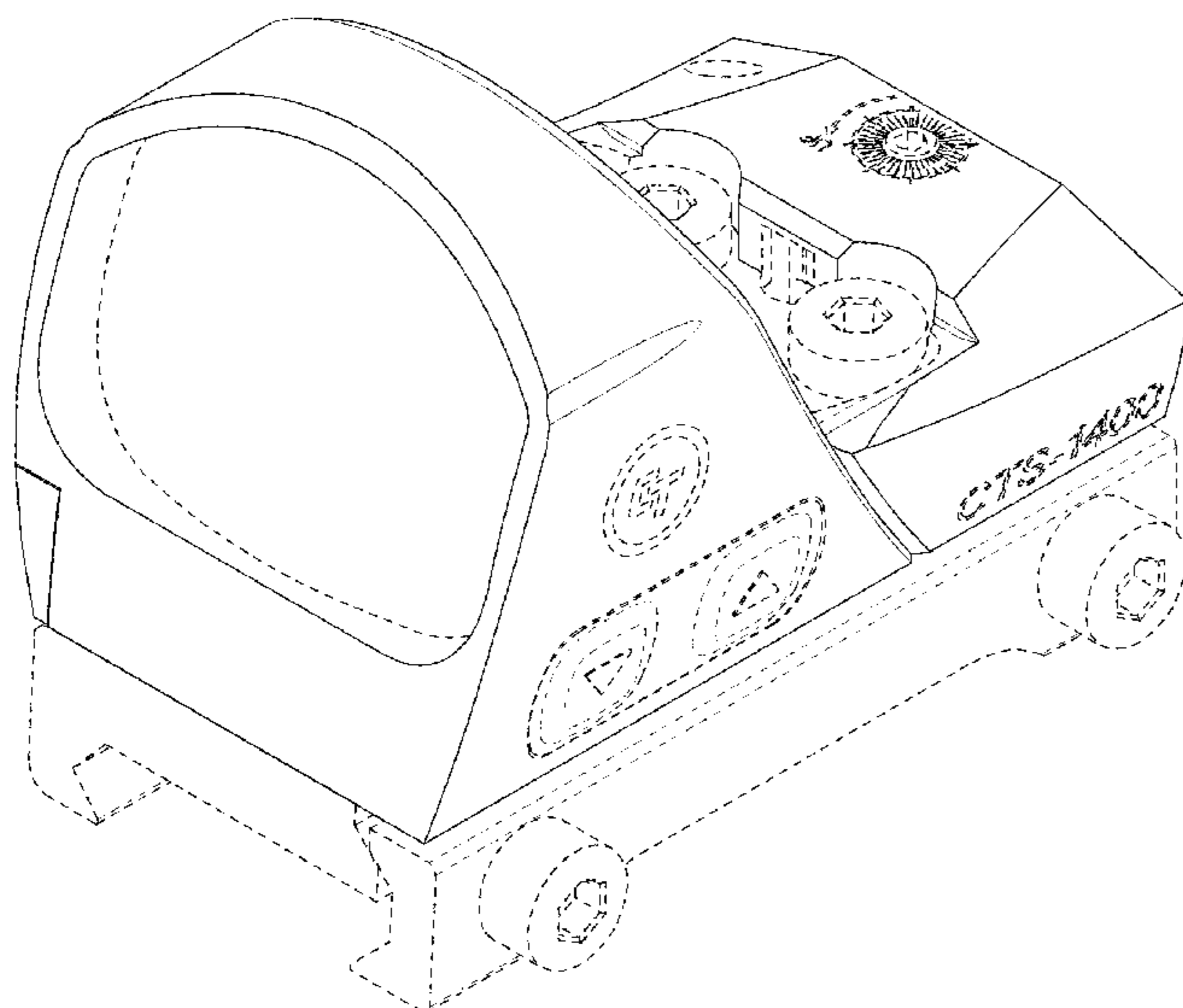
(57) **CLAIM**

I claim the ornamental design for a sight, as shown and described.

**DESCRIPTION**

FIG. 1 is a perspective view of a sight, showing my new design;  
FIG. 2 is a front view thereof;  
FIG. 3 is a rear view thereof;  
FIG. 4 is a right side view thereof;  
FIG. 5 is a left side view thereof;  
FIG. 6 is a top view thereof; and,  
FIG. 7 is a bottom view thereof.  
The broken lines in the drawings depict unclaimed portion of the sight, which form no part of the claimed design.

**1 Claim, 7 Drawing Sheets**



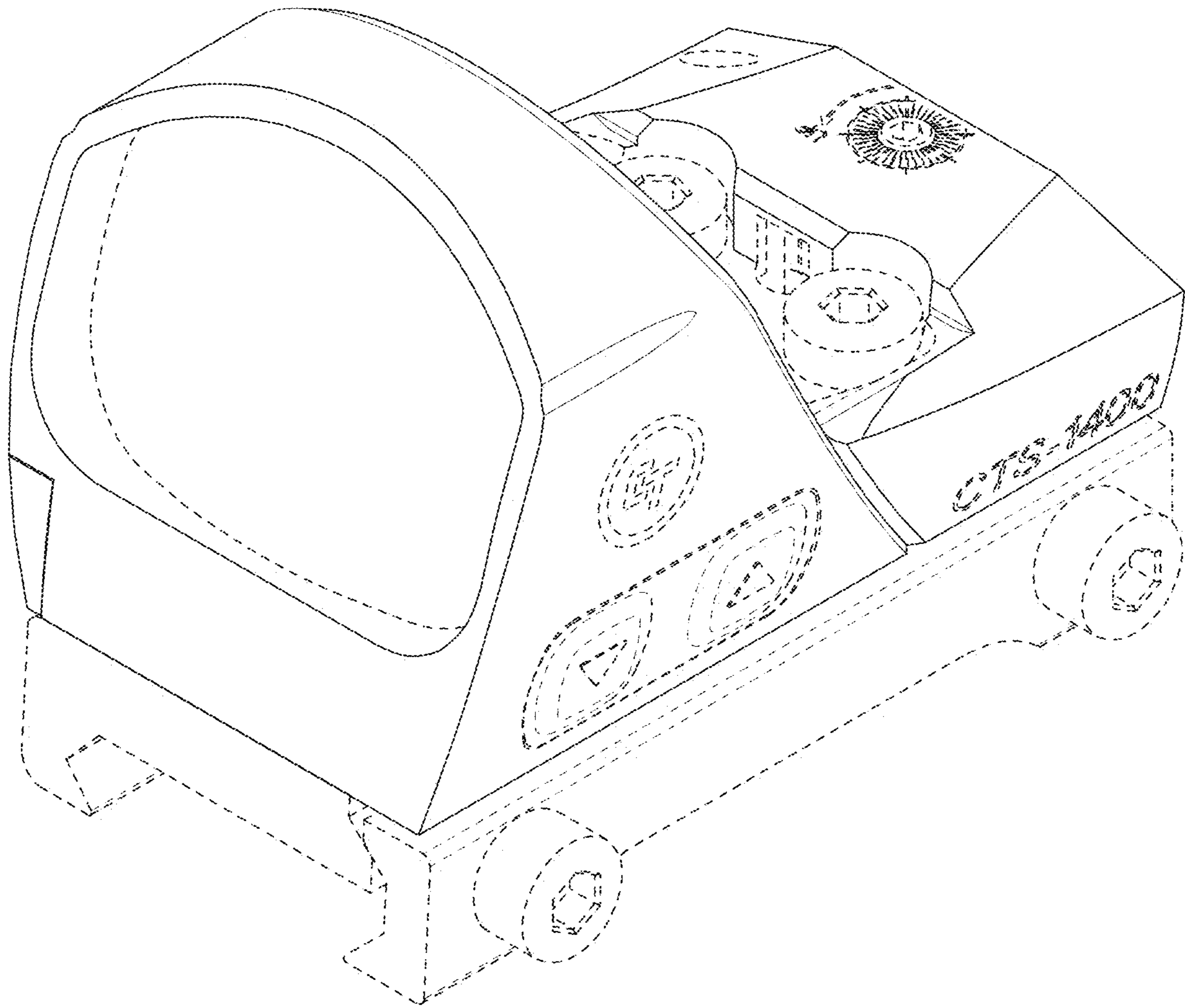


FIG. 1

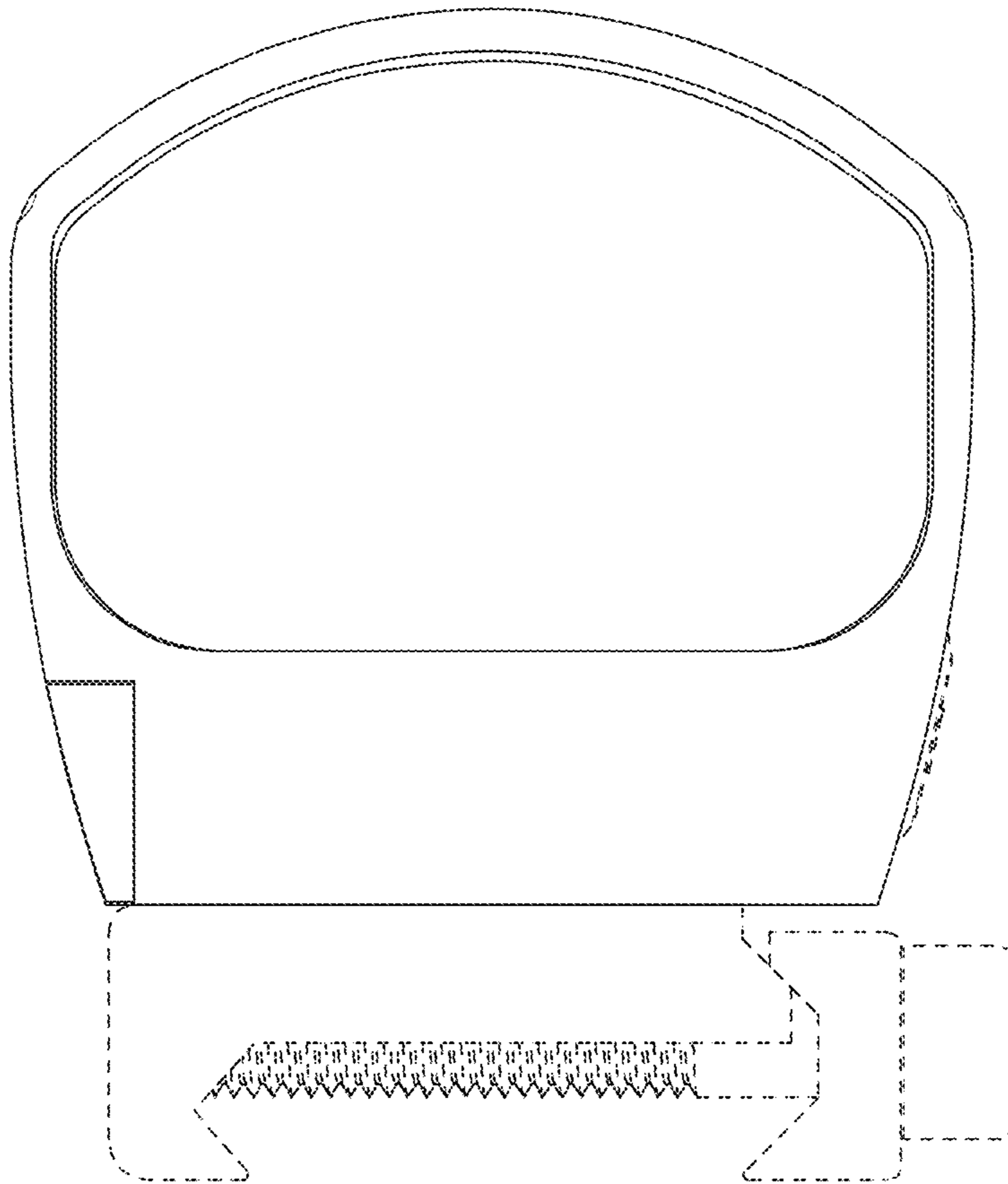


FIG. 2

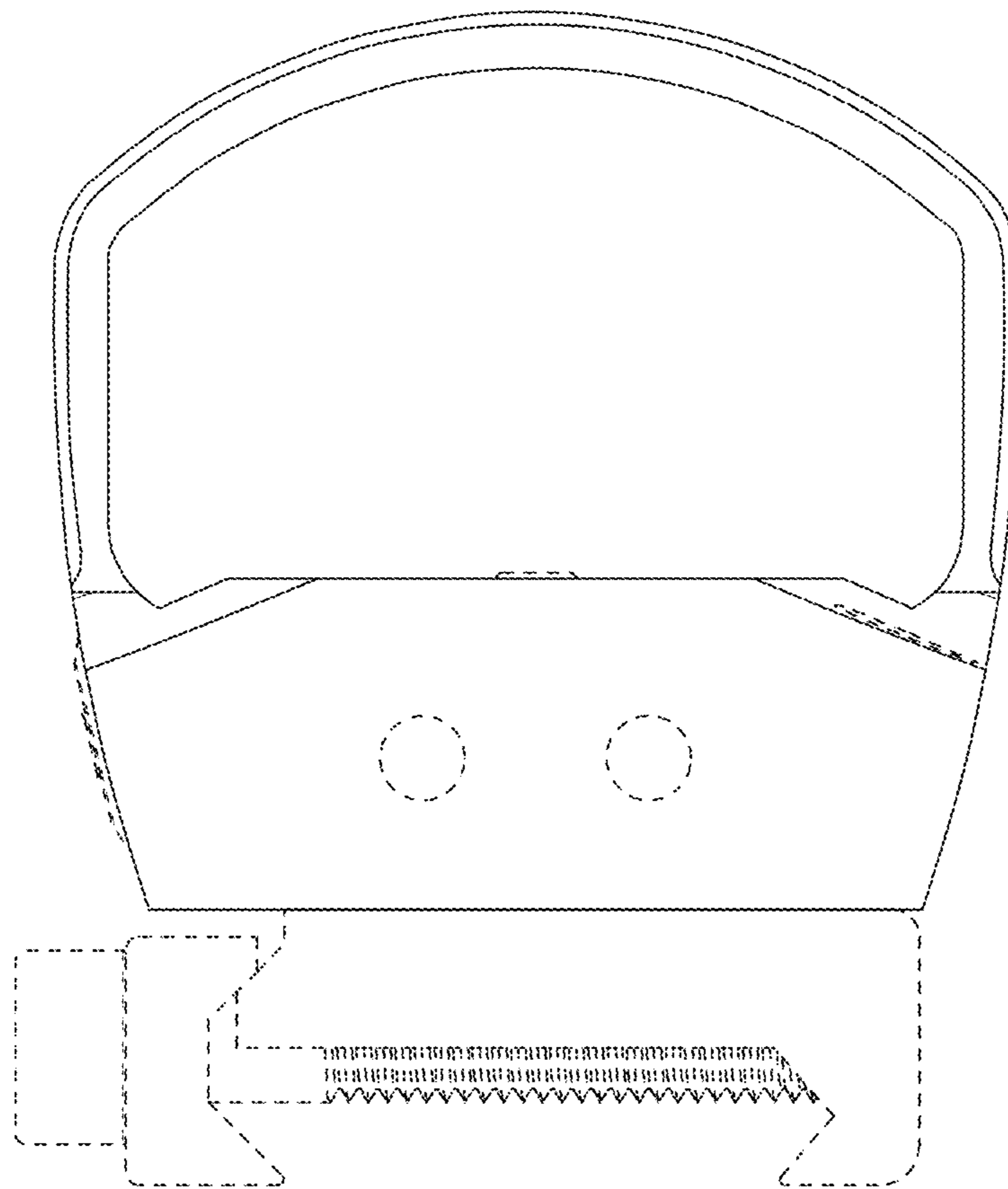


FIG. 3

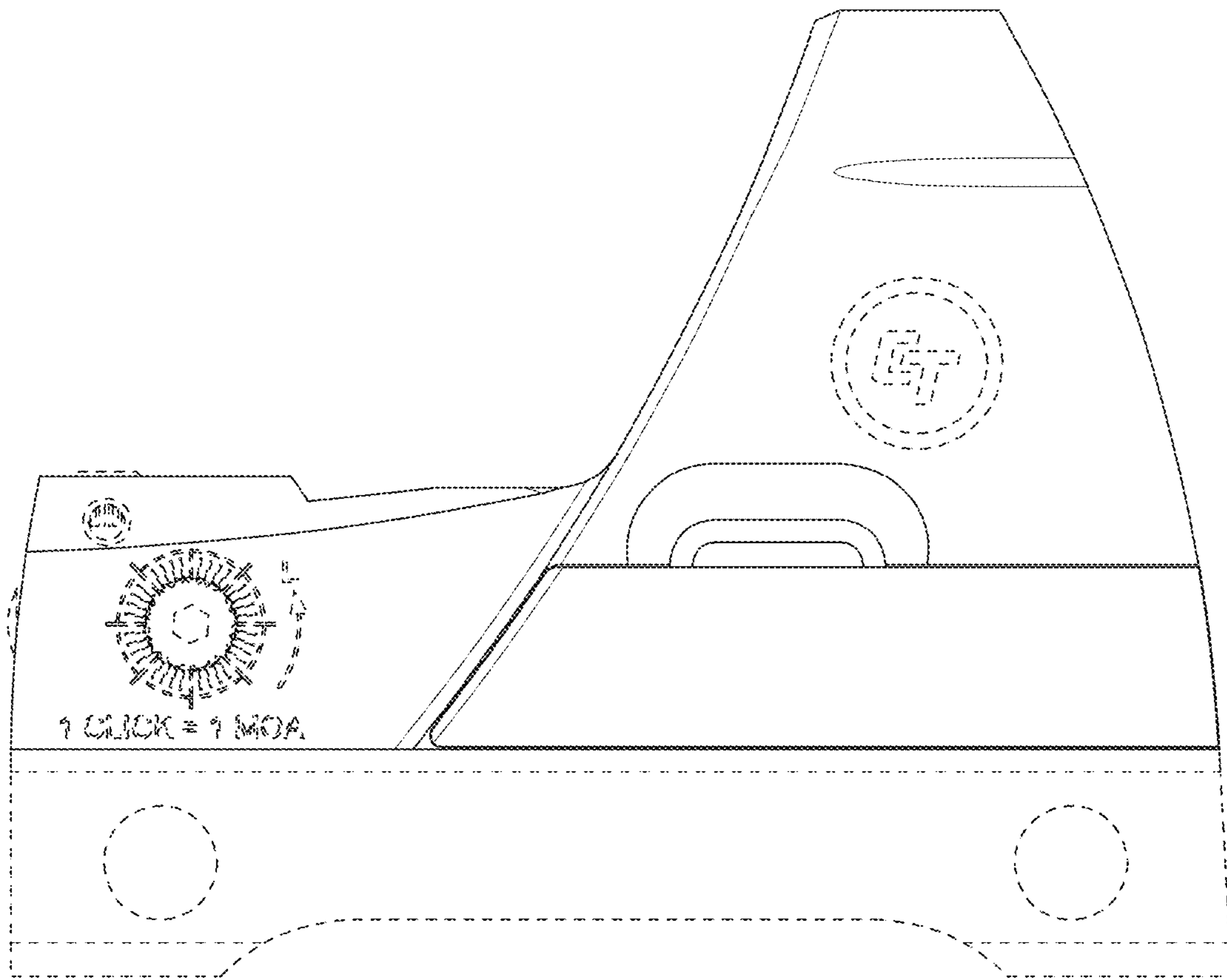


FIG. 4

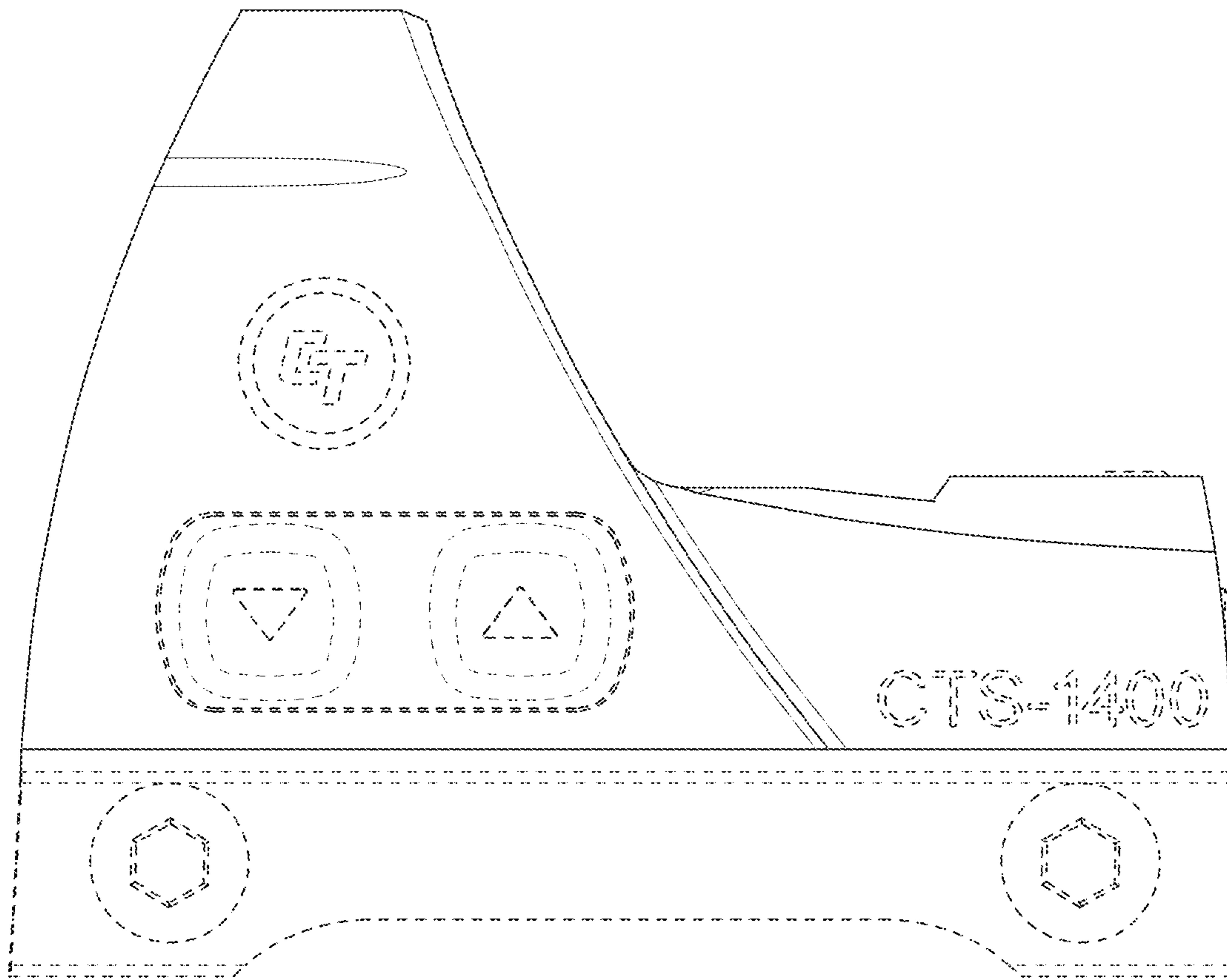


FIG. 5

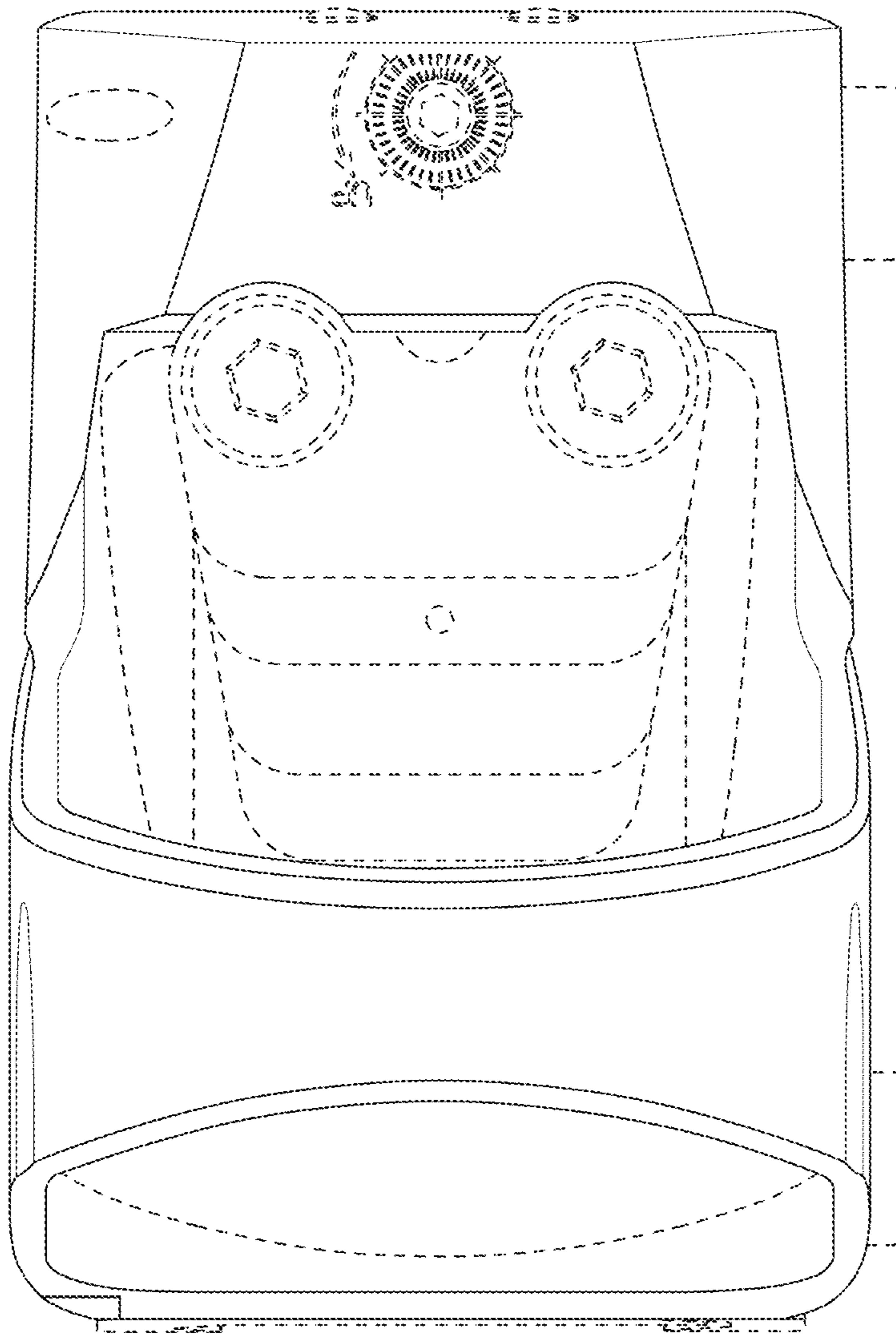


FIG. 6

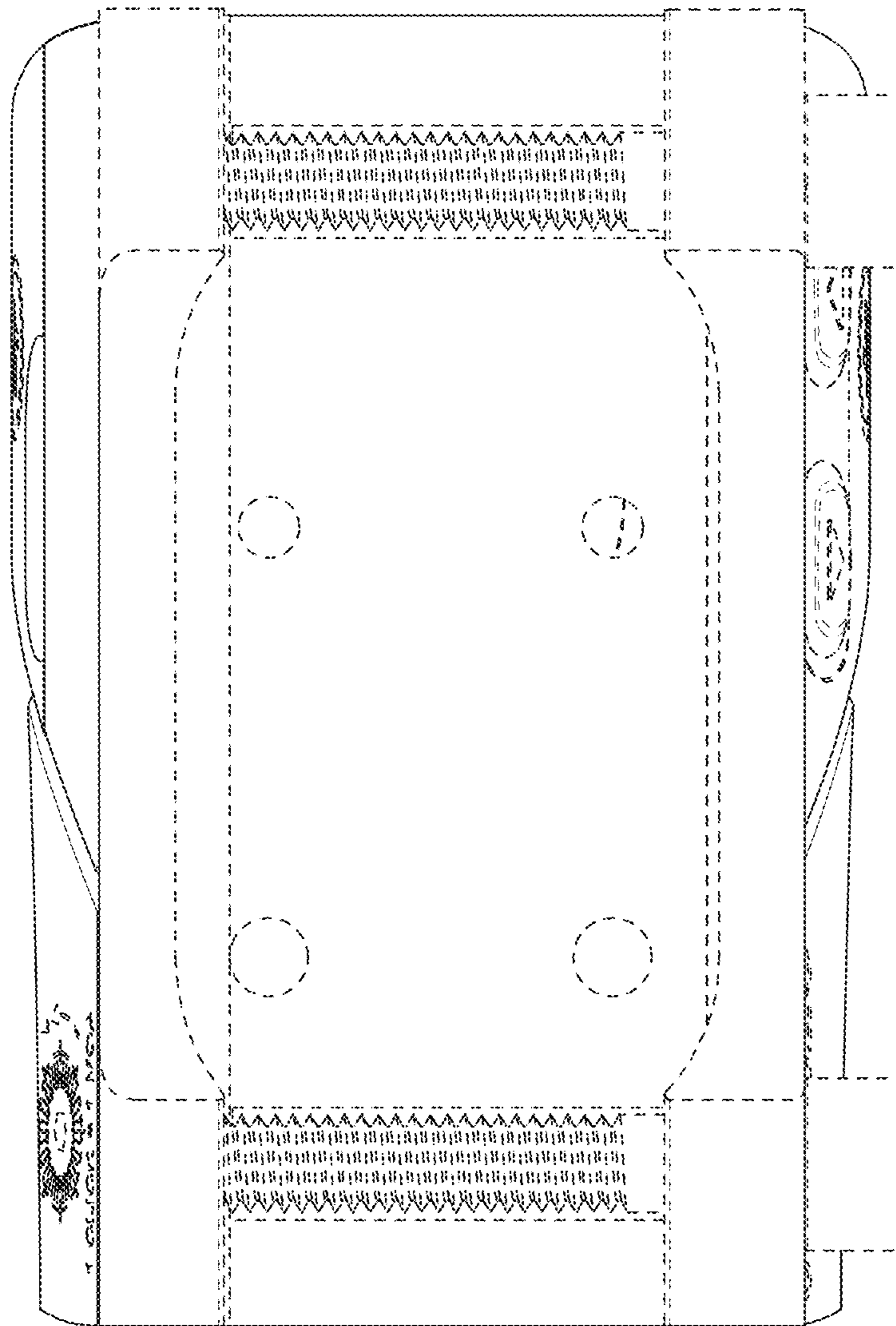


FIG. 7