



US00D895759S

(12) **United States Design Patent**
Storch

(10) **Patent No.:** **US D895,759 S**

(45) **Date of Patent:** **** Sep. 8, 2020**

(54) **FIREARM HAND GUARD MOUNT ADAPTER**

(71) Applicant: **Midwest Industries, Inc.**, Waukesha, WI (US)

(72) Inventor: **Troy Storch**, Wales, WI (US)

(73) Assignee: **Midwest Industries, Inc.**, Waukesha, WI (US)

(**) Term: **15 Years**

(21) Appl. No.: **29/686,295**

(22) Filed: **Apr. 3, 2019**

(51) **LOC (12) Cl.** **22-01**

(52) **U.S. Cl.**
USPC **D22/108**

(58) **Field of Classification Search**
USPC D22/108
CPC F41C 23/10; F41C 23/14; F41C 23/16;
F41C 23/18

See application file for complete search history.

(56) **References Cited**

U.S. PATENT DOCUMENTS

2,529,801	A	11/1950	Fisk
2,545,419	A	3/1951	Platt
3,462,021	A	8/1969	Hawke et al.
3,798,818	A	3/1974	Casull
D259,994	S	7/1981	Salcedo
D276,789	S	12/1984	Olsen
4,751,610	A	6/1988	Nickola
D302,514	S	8/1989	Gates
D339,374	S	9/1993	Chow et al.
D349,230	S	8/1994	Essick
5,375,361	A	12/1994	Rustick
6,499,245	B1	12/2002	Swan
D508,726	S	8/2005	Storch
7,066,059	B1	6/2006	Hsieh
7,096,620	B2	8/2006	Zeh

7,191,557	B2	3/2007	Gablowski et al.
7,219,370	B1	5/2007	Teetzel
D556,290	S	11/2007	Swan
7,444,776	B2	11/2008	Adams
7,552,558	B1	6/2009	Ballard
7,707,762	B1	5/2010	Swan
7,802,392	B2	9/2010	Peterson et al.
D625,765	S	10/2010	Storch
7,836,625	B2	11/2010	Swan et al.
D657,013	S	4/2012	Swan
D659,220	S	5/2012	Foltz
8,201,353	B1	6/2012	Swan
8,215,046	B2	7/2012	Chvala
D666,689	S	9/2012	Swan

(Continued)

Primary Examiner — Michael A. Pratt

(74) *Attorney, Agent, or Firm* — Boyle Fredrickson S.C.

(57) **CLAIM**

The ornamental design for a firearm hand guard mount adapter, as shown and described.

DESCRIPTION

FIG. 1 is a perspective view of a firearm hand guard mount adapter incorporating my new design viewed from rearward, above, and from a left side thereof;

FIG. 2 is a rear elevation view thereof;

FIG. 3 is a front elevation view thereof;

FIG. 4 is a left side elevation view thereof;

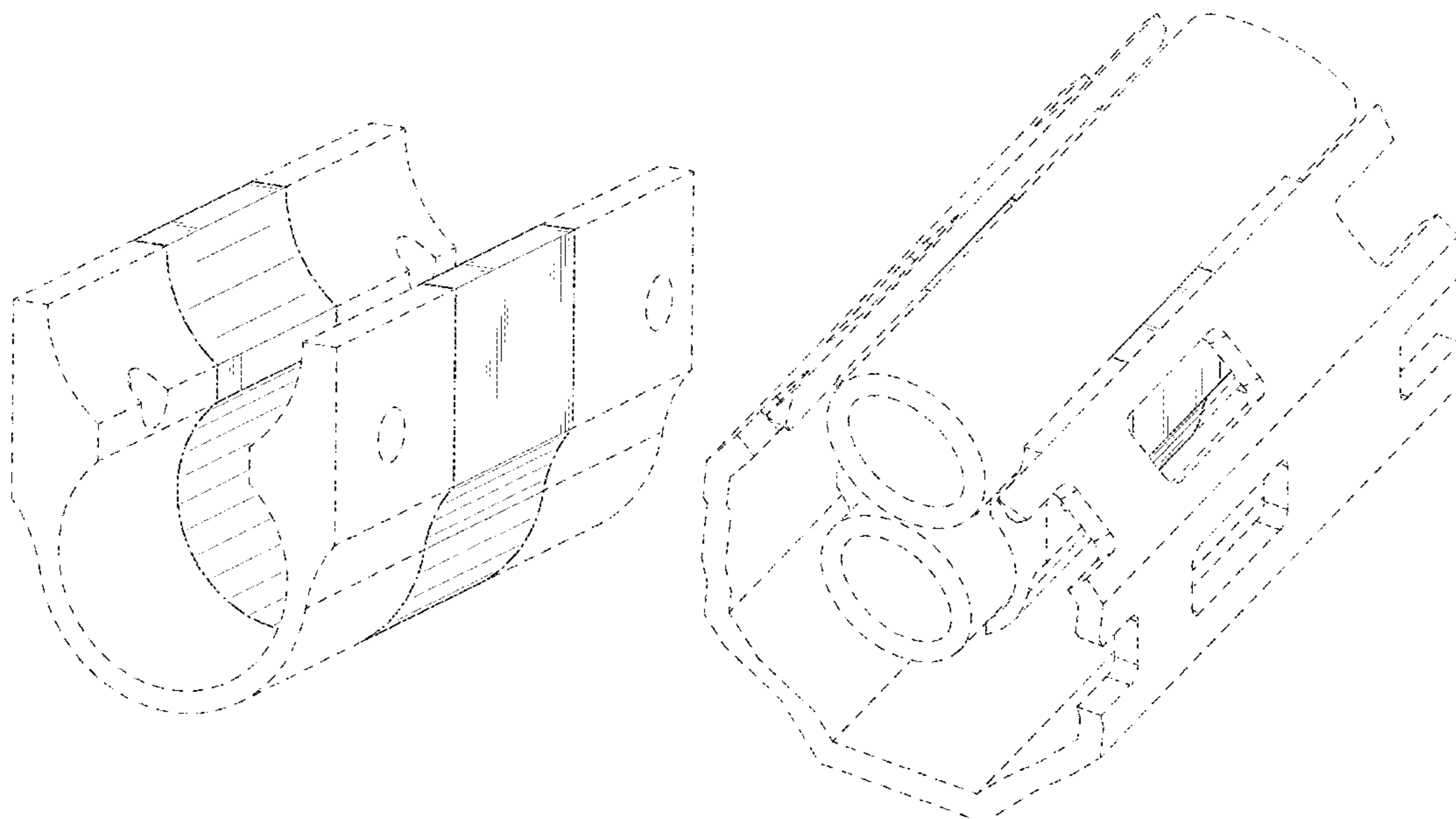
FIG. 5 is a right side elevation view thereof;

FIG. 6 is a top plan view thereof;

FIG. 7 is a bottom plan view thereof; and,

FIG. 8 is a perspective view thereof in its use environment. The uniform broken lines in FIGS. 1-8 represent unclaimed portions of the design and environmental structures, such as the barrel of a firearm and a handguard, and the dash-dot lines illustrate boundaries and form no part of the claimed design.

1 Claim, 8 Drawing Sheets



(56)

References Cited

U.S. PATENT DOCUMENTS

D670,352 S	11/2012	Norberg et al.	9,404,714 B2	8/2016	Langevin et al.	
D672,422 S	12/2012	Swan	9,417,034 B1	8/2016	Swan	
D677,048 S	3/2013	Du	D828,898 S *	9/2018	McKillips	D22/108
8,424,234 B2	4/2013	Carlson	D844,091 S *	3/2019	Kincel	D22/108
D683,807 S	6/2013	Elkaim	D865,111 S *	10/2019	Storch	D22/108
8,468,733 B2	6/2013	Deros	2004/0000083 A1	1/2004	Grant, Jr.	
8,510,983 B2	8/2013	Larue	2005/0217161 A1	10/2005	Haugen et al.	
8,650,794 B2	2/2014	Swan et al.	2006/0053673 A1	3/2006	Murello	
8,752,320 B2	6/2014	Masters	2006/0174733 A1	6/2006	Hsieh	
8,769,854 B1	7/2014	Battaglia	2008/0092422 A1	4/2008	Daniel	
8,793,921 B1	8/2014	Tonello	2009/0038198 A1	2/2009	Yu	
8,806,792 B2	8/2014	Yan et al.	2009/0126538 A1	5/2009	Miers	
8,819,980 B2	9/2014	Geissele	2010/0319231 A1 *	12/2010	Stone	F41C 23/00 42/71.01
D732,378 S	6/2015	Oquendo et al.	2012/0167434 A1	7/2012	Masters	
9,068,801 B1	6/2015	Stecher et al.	2012/0169000 A1	7/2012	Lin et al.	
9,091,505 B1	7/2015	Battaglia	2013/0077439 A1	3/2013	Larue	
9,157,696 B2	10/2015	Dextraze	2013/0219765 A1	8/2013	Ibarguren	
D744,459 S	12/2015	Cummings et al.	2013/0288743 A1	10/2013	Hunt	
9,222,756 B1	12/2015	Battaglia et al.	2014/0041273 A1	2/2014	Masters	
9,239,209 B2	1/2016	Mayberry et al.	2014/0130390 A1 *	5/2014	Geissele	F41C 23/16 42/71.01
9,239,210 B2	1/2016	Mayberry et al.	2014/0373419 A1	12/2014	Leclair	
9,297,609 B2	3/2016	Burt	2015/0020429 A1	1/2015	Savoy	
D753,256 S	4/2016	Azhocar	2015/0343627 A1	12/2015	Hensley	
9,341,441 B2	5/2016	Cheng et al.	2015/0369555 A1	12/2015	Daniel	
9,377,274 B2	6/2016	Kincel	2016/0223286 A1	8/2016	Scorch	
			2018/0356181 A1 *	12/2018	Williams	F41G 11/003

* cited by examiner

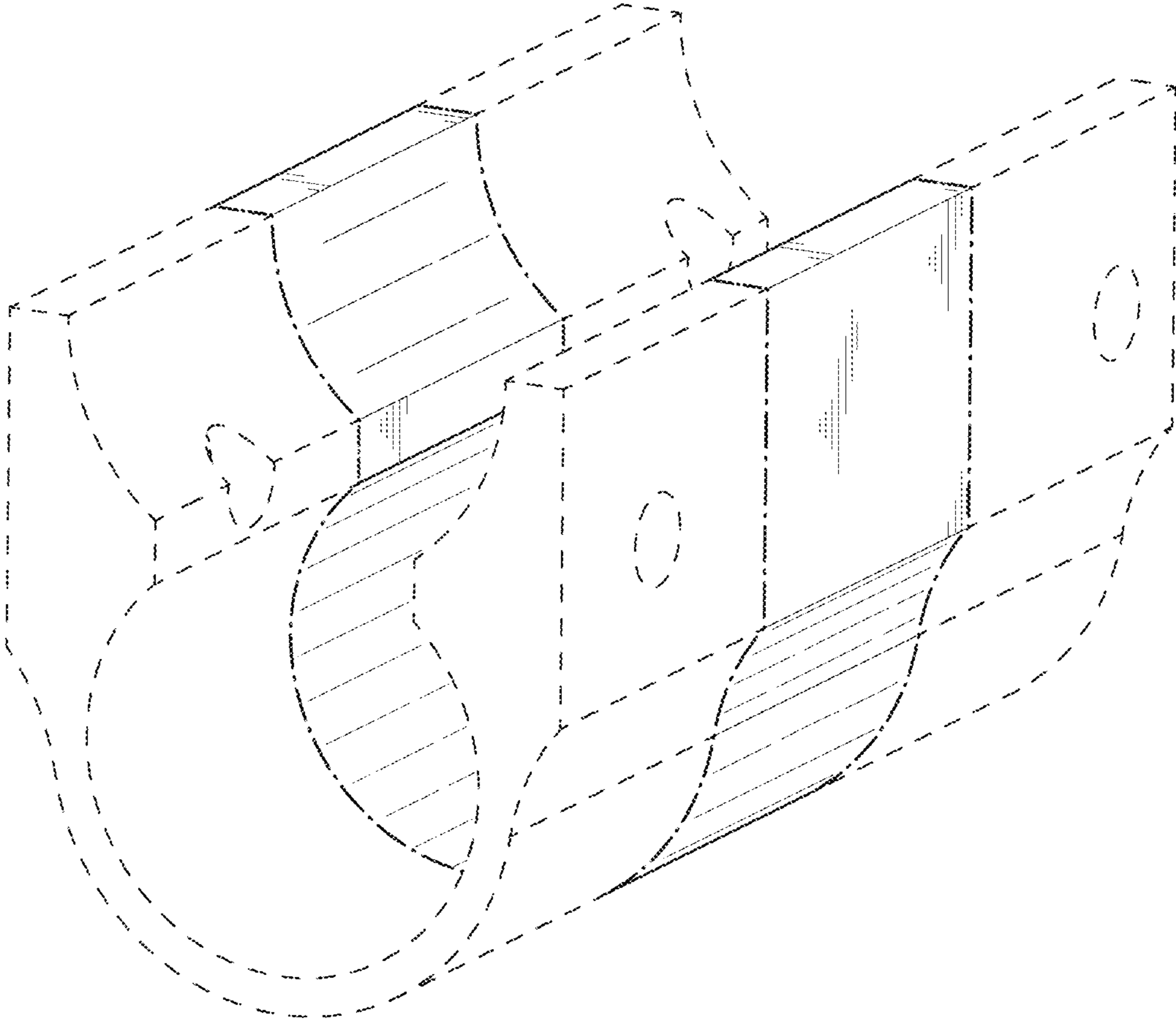


FIG. 1

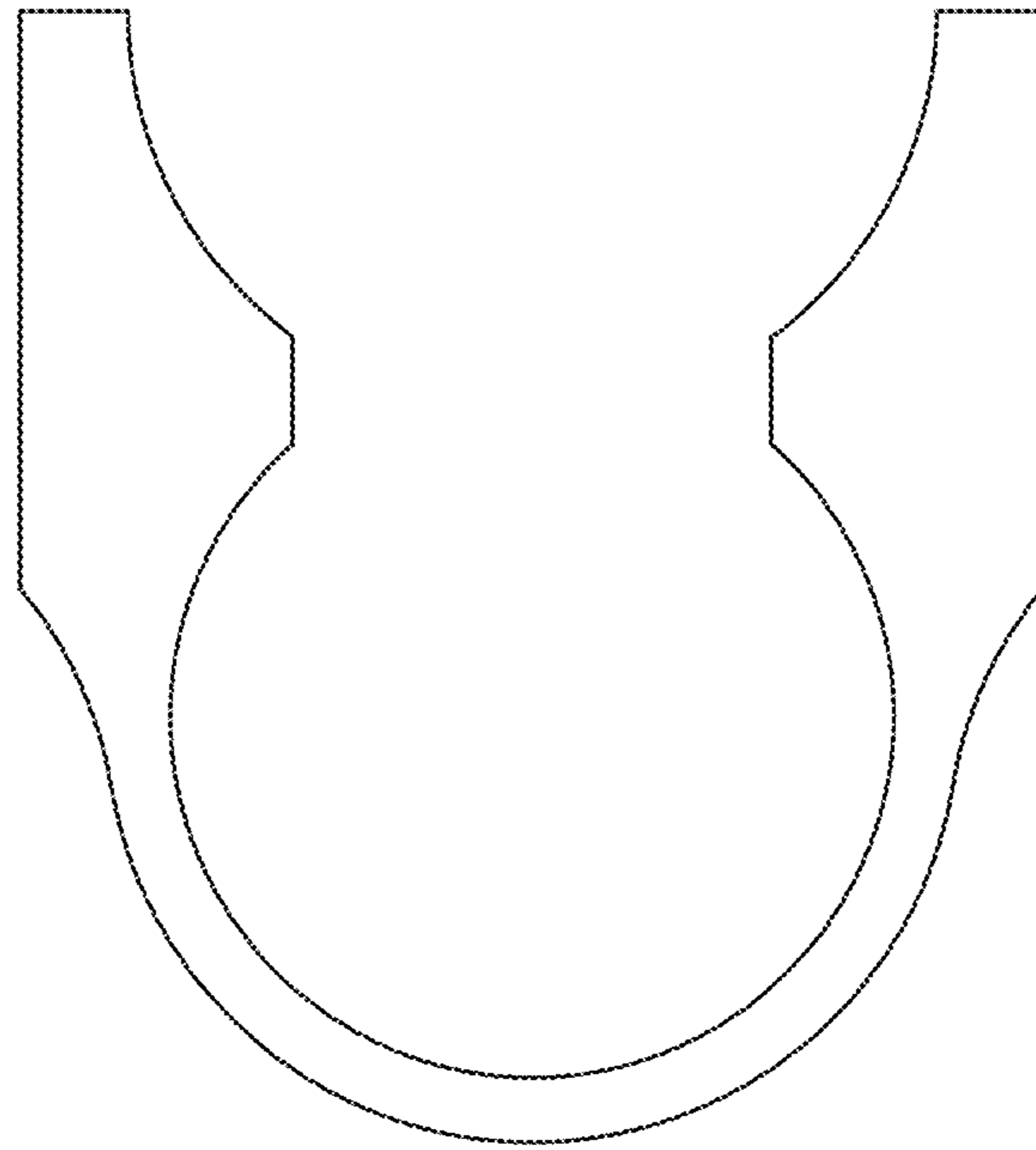


FIG. 2

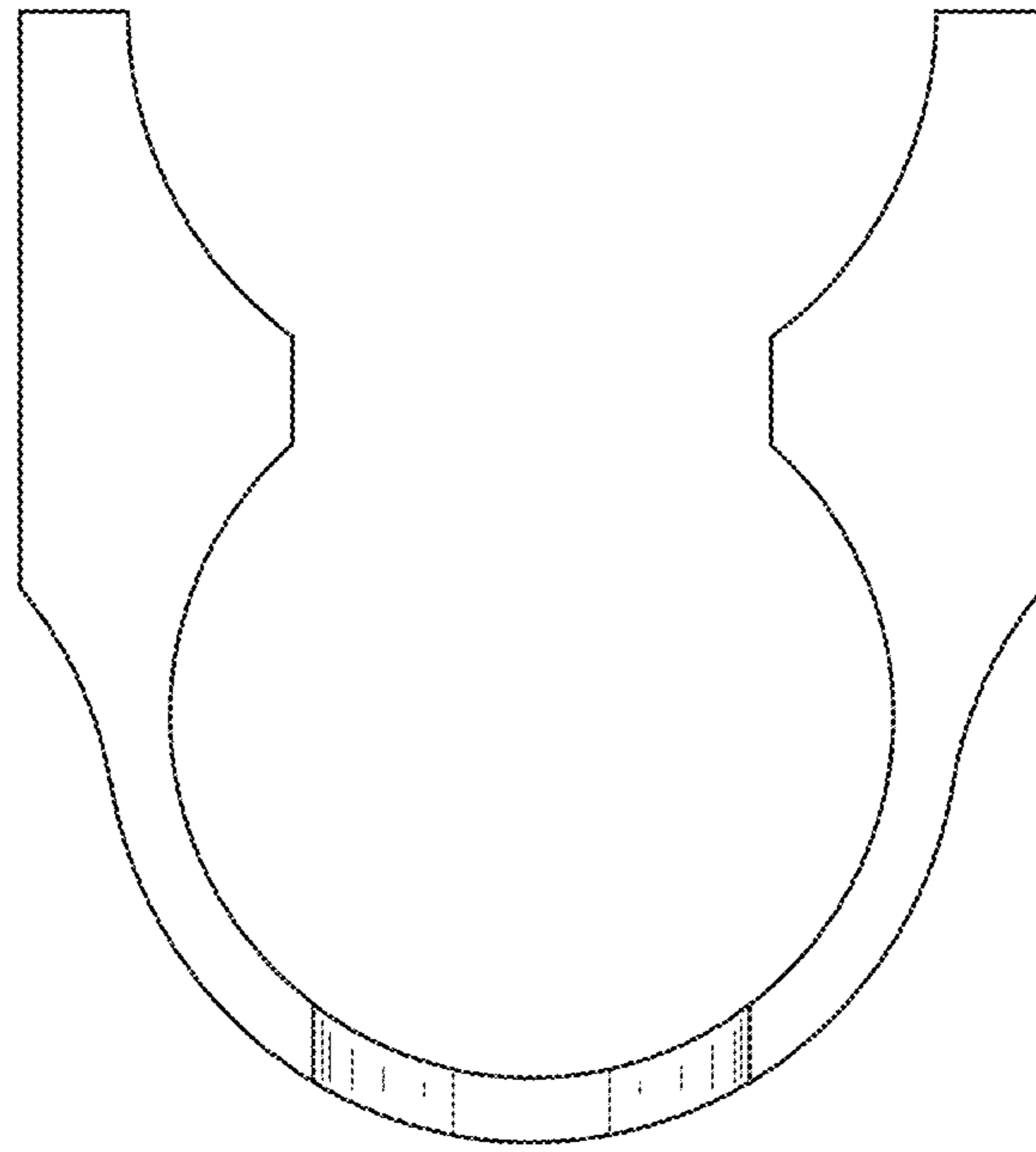


FIG. 3

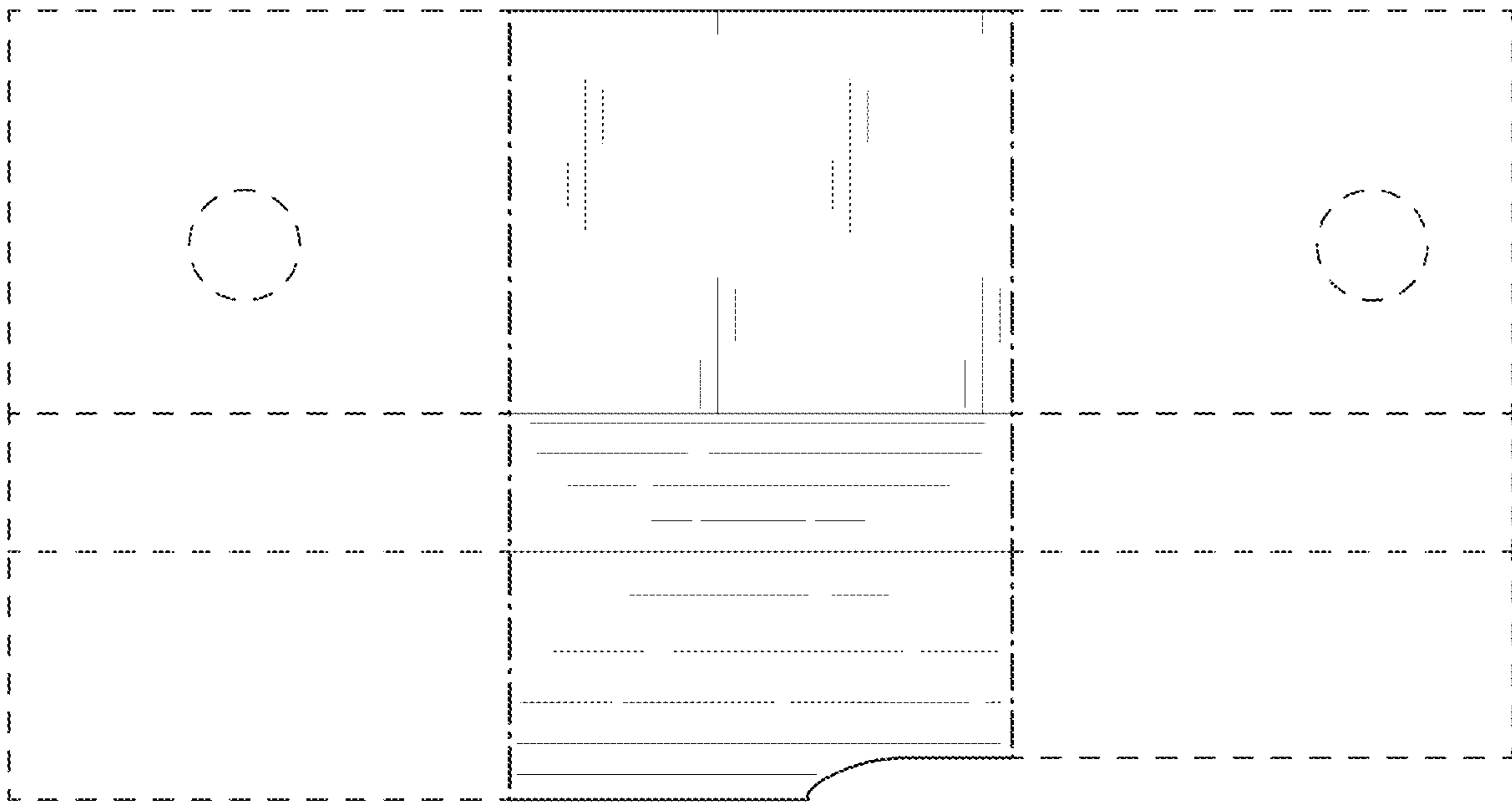


FIG. 4

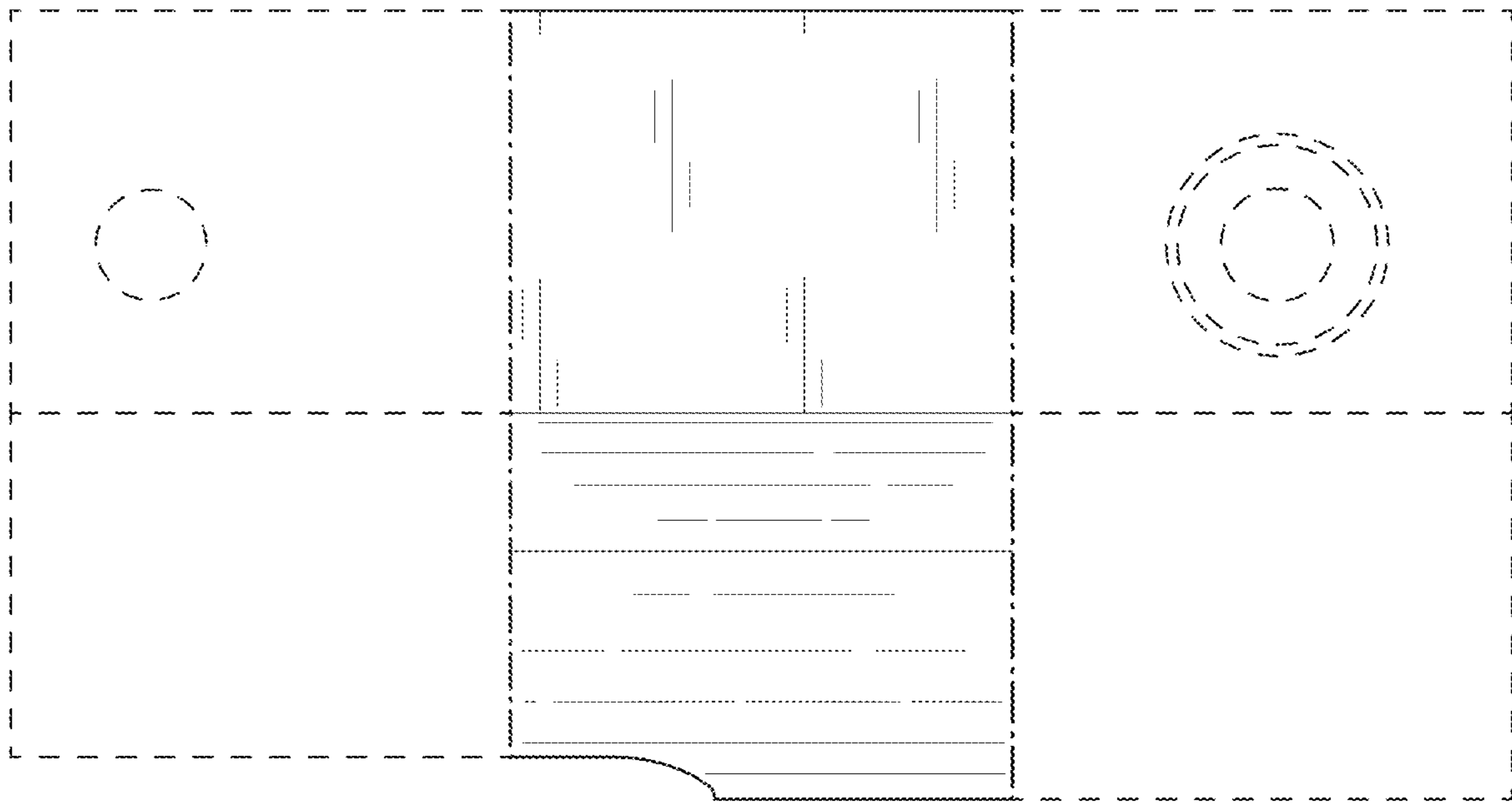


FIG. 5

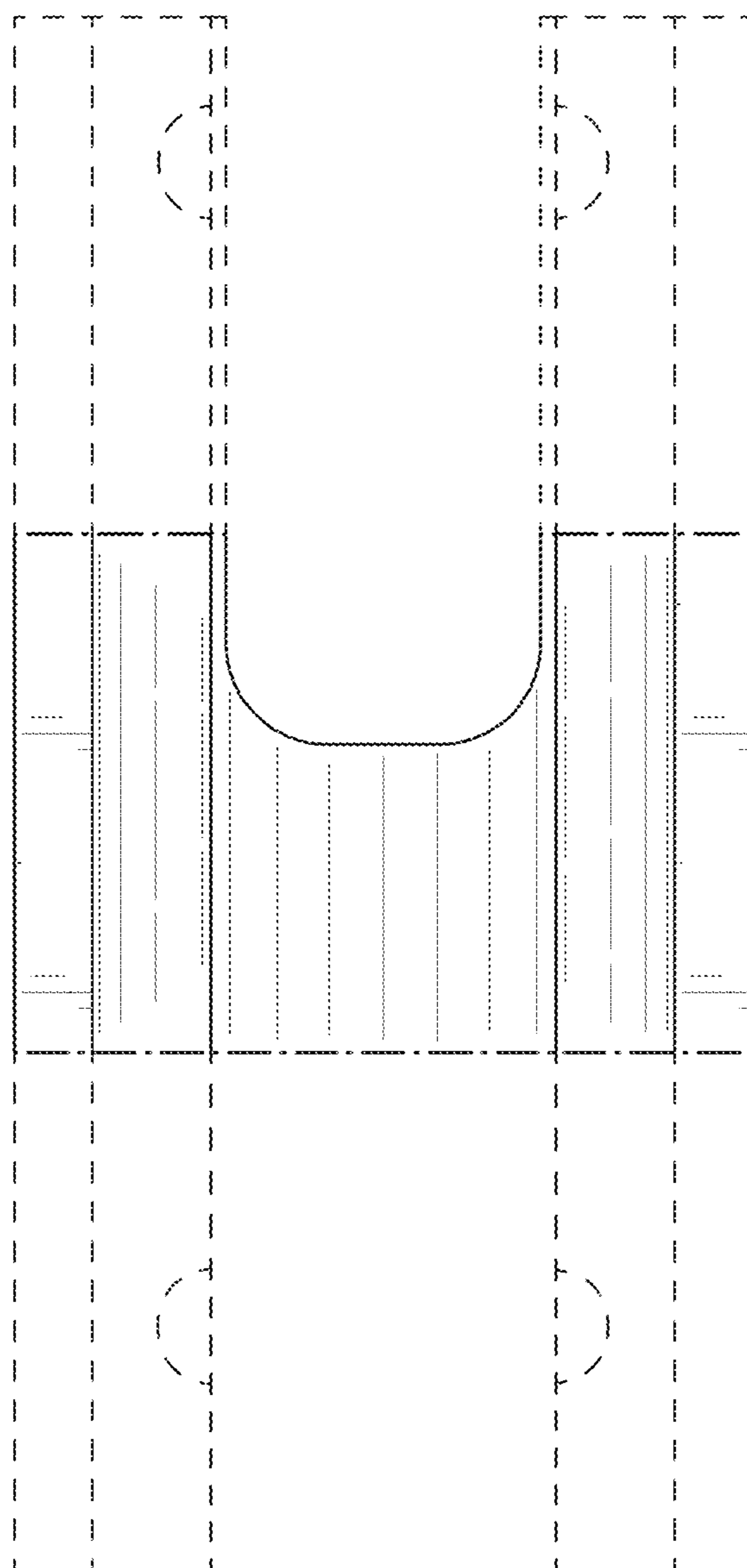


FIG. 6

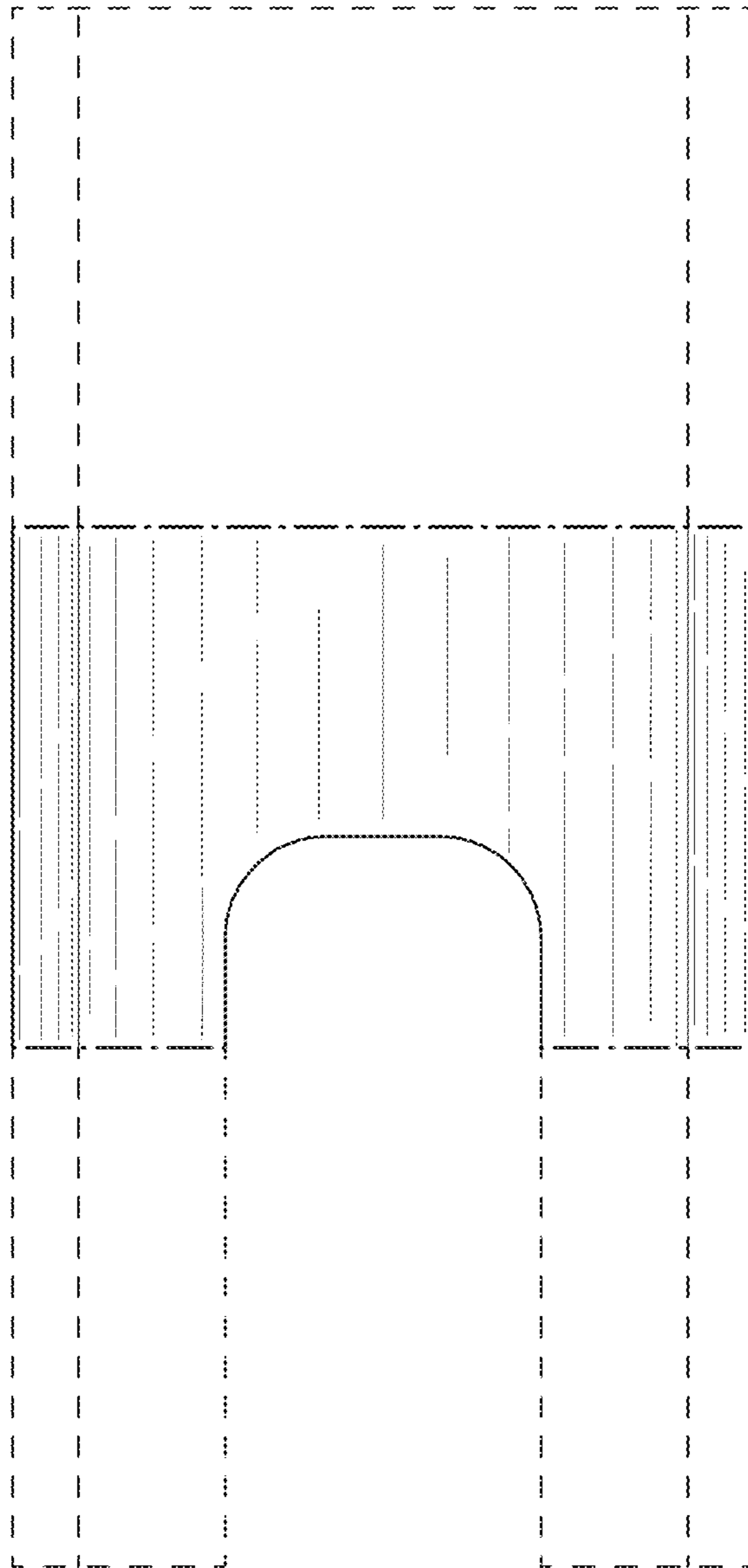


FIG. 7

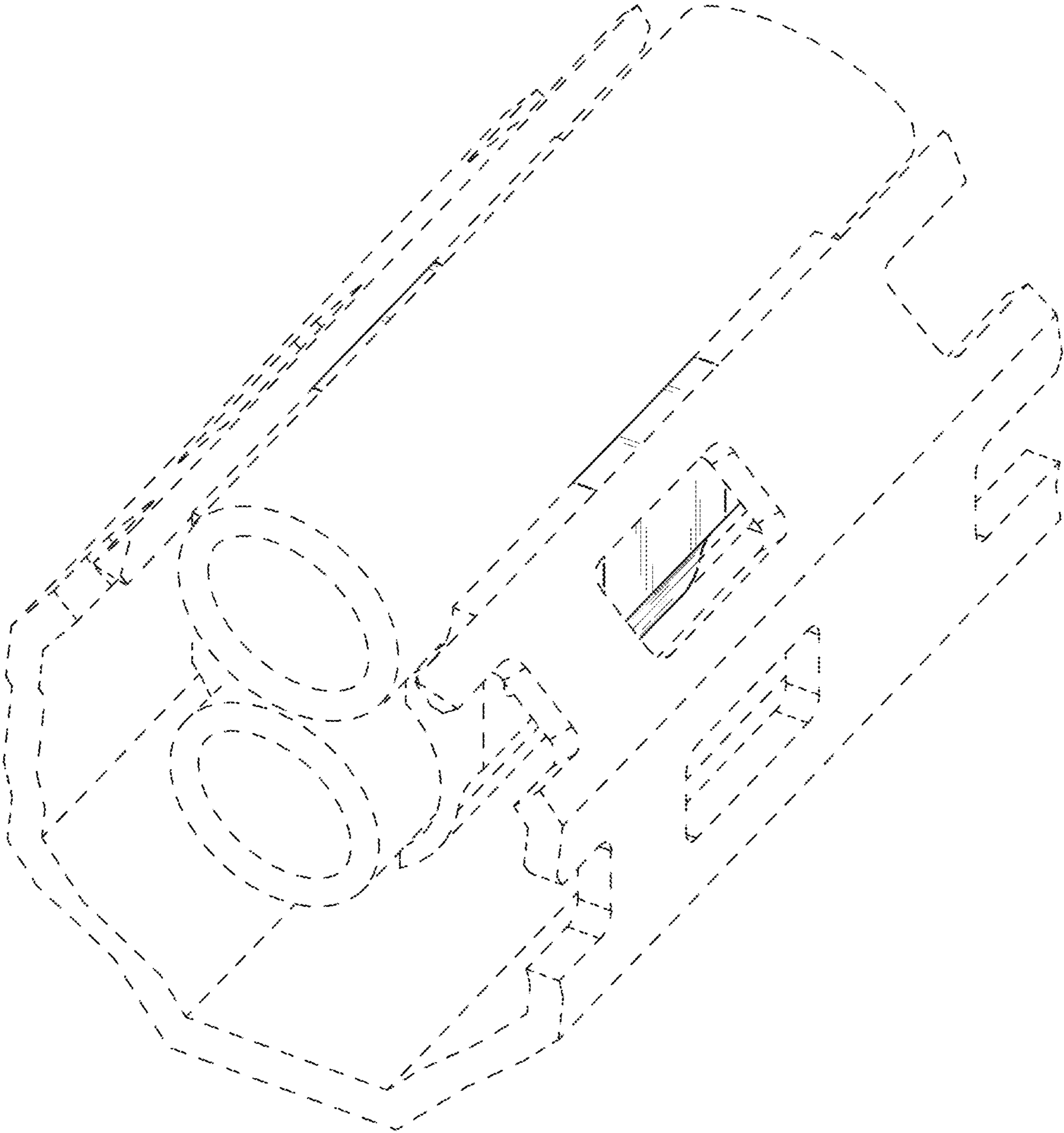


FIG. 8