



US00D895758S

(12) **United States Design Patent**
Storch

(10) **Patent No.:** **US D895,758 S**

(45) **Date of Patent:** **** Sep. 8, 2020**

(54) **FIREARM HAND GUARD**

(71) Applicant: **Midwest Industries, Inc.**, Waukesha, WI (US)

(72) Inventor: **Troy Storch**, Wales, WI (US)

(73) Assignee: **Midwest Industries, Inc.**, Waukesha, WI (US)

(**) Term: **15 Years**

(21) Appl. No.: **29/684,339**

(22) Filed: **Mar. 20, 2019**

(51) **LOC (12) Cl.** **22-01**

(52) **U.S. Cl.**
USPC **D22/108**

(58) **Field of Classification Search**
USPC **D22/108**

(Continued)

(56) **References Cited**

U.S. PATENT DOCUMENTS

2,529,801 A 11/1950 Fisk
2,545,419 A 3/1951 Platt

(Continued)

Primary Examiner — Michael A. Pratt

(74) *Attorney, Agent, or Firm* — Boyle Fredrickson S.C.

(57) **CLAIM**

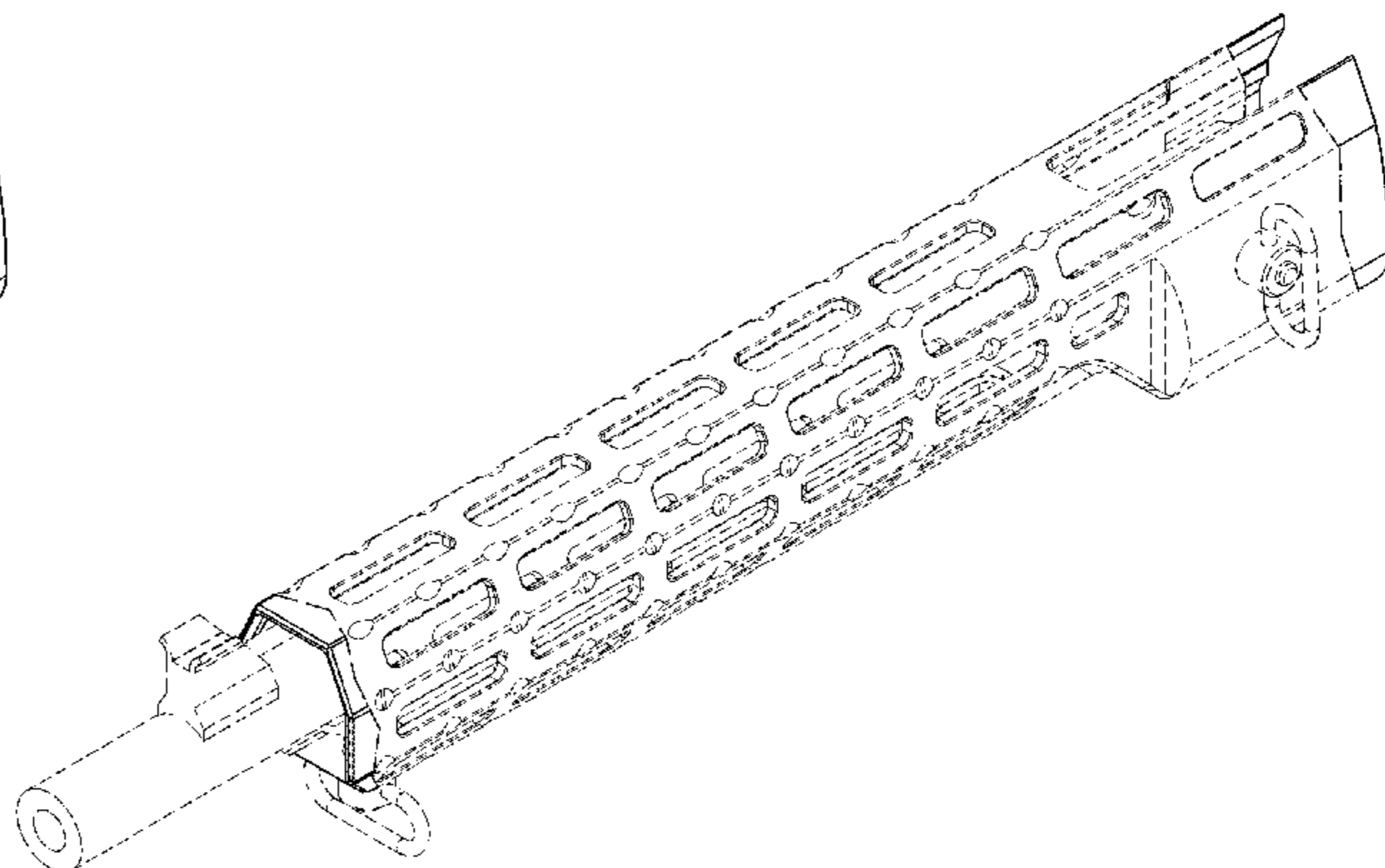
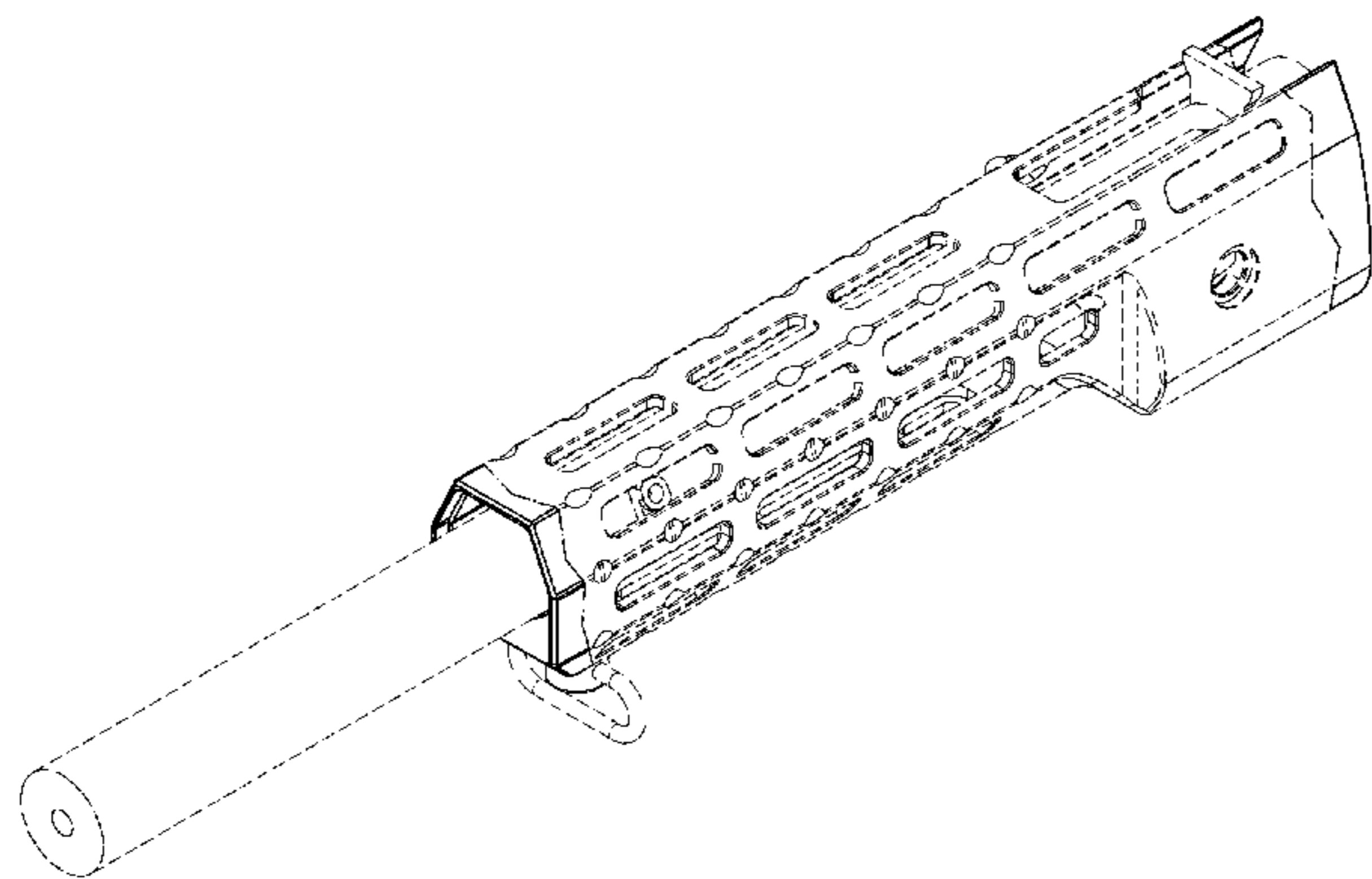
The ornamental design for a firearm hand guard, as shown and described.

DESCRIPTION

FIG. 1 is a perspective view of a firearm hand guard incorporating my new design viewed from in front of, above, and from the left side thereof;

FIG. 2 is a front elevation view thereof;
FIG. 3 is a rear elevation view thereof;
FIG. 4 is a right side elevation view thereof;
FIG. 5 is a left side elevation view thereof;
FIG. 6 is a top plan view thereof;
FIG. 7 is a bottom plan view thereof;
FIG. 8 is a perspective view a firearm hand guard according to another embodiment incorporating my new design viewed from in front of, above, and from the left side thereof;
FIG. 9 is a front elevation view of the embodiment shown in FIG. 8;
FIG. 10 is a rear elevation view of the embodiment shown in FIG. 8;
FIG. 11 is a right side elevation view of the embodiment shown in FIG. 8;
FIG. 12 is a left side elevation view of the embodiment shown in FIG. 8;
FIG. 13 is a top plan view of the embodiment shown in FIG. 8;
FIG. 14 is a bottom plan view of the embodiment shown in FIG. 8;
FIG. 15 is a perspective view a firearm hand guard according to another embodiment incorporating my new design viewed from in front of, above, and from the left side thereof;
FIG. 16 is a front elevation view of the embodiment shown in FIG. 15;
FIG. 17 is a rear elevation view of the embodiment shown in FIG. 15;
FIG. 18 is a right side elevation view of the embodiment shown in FIG. 15;
FIG. 19 is a left side elevation view of the embodiment shown in FIG. 15;
FIG. 20 is a top plan view of the embodiment shown in FIG. 15; and,
FIG. 21 is a bottom plan view of the embodiment shown in FIG. 15.
The uniform broken lines in FIGS. 1-21 represent environmental structures, such as the barrel of a firearm, and unclaimed portions of the design and the dash-dot lines illustrate boundaries and form no part of the claimed design.

1 Claim, 21 Drawing Sheets



(58) **Field of Classification Search**
 CPC F41C 23/10; F41C 23/14; F41C 23/16;
 F41C 23/18
 See application file for complete search history.

(56) **References Cited**

U.S. PATENT DOCUMENTS

3,462,021 A	8/1969	Hawke et al.	8,769,854 B1	7/2014	Battaglia
3,798,818 A	3/1974	Casull	8,793,921 B1	8/2014	Tonello
D259,994 S	7/1981	Salcedo	8,806,792 B2	8/2014	Yan et al.
D276,789 S	12/1984	Olsen	8,819,980 B2	9/2014	Geissele
4,751,610 A	6/1988	Nickola	D732,378 S	6/2015	Oquendo et al.
D302,514 S	8/1989	Gates	9,068,801 B1	6/2015	Stecher et al.
D339,374 S	9/1993	Chow et al.	9,091,505 B1	7/2015	Battaglia
D349,230 S	8/1994	Essick	9,157,696 B2	10/2015	Dextraze
5,375,361 A	12/1994	Rustick	D744,459 S	12/2015	Cummings
6,499,245 B1	12/2002	Swan	9,222,756 B1	12/2015	Battaglia et al.
D508,726 S	8/2005	Storch	9,239,209 B2	1/2016	Mayberry et al.
7,066,059 B1	6/2006	Hsieh	9,239,210 B2	1/2016	Mayberry et al.
7,096,620 B2	8/2006	Zeh	9,297,609 B2	3/2016	Burt
7,191,557 B2	3/2007	Gablowski et al.	D753,256 S	4/2016	Azhacar
7,219,370 B1	5/2007	Teetzel	9,341,441 B2	5/2016	Cheng et al.
D556,290 S	11/2007	Swan	9,377,274 B2	6/2016	Kincel
7,444,776 B2	11/2008	Adams	9,404,714 B2	8/2016	Langevin et al.
7,552,558 B1	6/2009	Ballard	9,417,034 B1	8/2016	Swan
7,707,762 B1	5/2010	Swan	D828,898 S *	9/2018	McKillips D22/108
7,802,392 B2	9/2010	Peterson et al.	D844,091 S *	3/2019	Kincel D22/108
D625,765 S	10/2010	Storch	D865,111 S *	10/2019	Storch D22/108
7,836,625 B2	11/2010	Swan et al.	2004/0000083 A1	1/2004	Grant, Jr.
D657,013 S	4/2012	Swan	2005/0217161 A1	10/2005	Haugen et al.
D659,220 S	5/2012	Foltz	2006/0053673 A1	3/2006	Murello
8,201,353 B1	6/2012	Swan	2006/0174733 A1	8/2006	Hsieh
8,215,046 B2	7/2012	Chvala	2008/0092422 A1	4/2008	Daniel
D666,689 S	9/2012	Swan	2009/0038198 A1	2/2009	Yu
D670,352 S	11/2012	Norberg et al.	2009/0126538 A1	5/2009	Miers
D672,422 S	12/2012	Swan	2010/0319231 A1 *	12/2010	Stone F41C 23/00 42/71.01
D677,048 S	3/2013	Du	2012/0167434 A1	7/2012	Masters
8,424,234 B2	4/2013	Carlson	2012/0169000 A1	7/2012	Lin et al.
D683,807 S	6/2013	Elkaim	2013/0077439 A1	3/2013	Larue
8,468,733 B2	6/2013	Deros	2013/0219765 A1	8/2013	Ibarguren
8,510,983 B2	8/2013	Larue	2013/0288743 A1	10/2013	Hunt
8,650,794 B2	2/2014	Swan et al.	2014/0041273 A1	2/2014	Masters
8,752,320 B2	6/2014	Masters	2014/0130390 A1 *	5/2014	Geissele F41C 23/16 42/71.01
			2014/0373419 A1	12/2014	Leclair
			2015/0020429 A1	1/2015	Savoy
			2015/0343627 A1	12/2015	Hensley
			2015/0369555 A1	12/2015	Daniel
			2016/0223286 A1	8/2016	Storch
			2018/0356181 A1 *	12/2018	Williams F41G 11/003

* cited by examiner

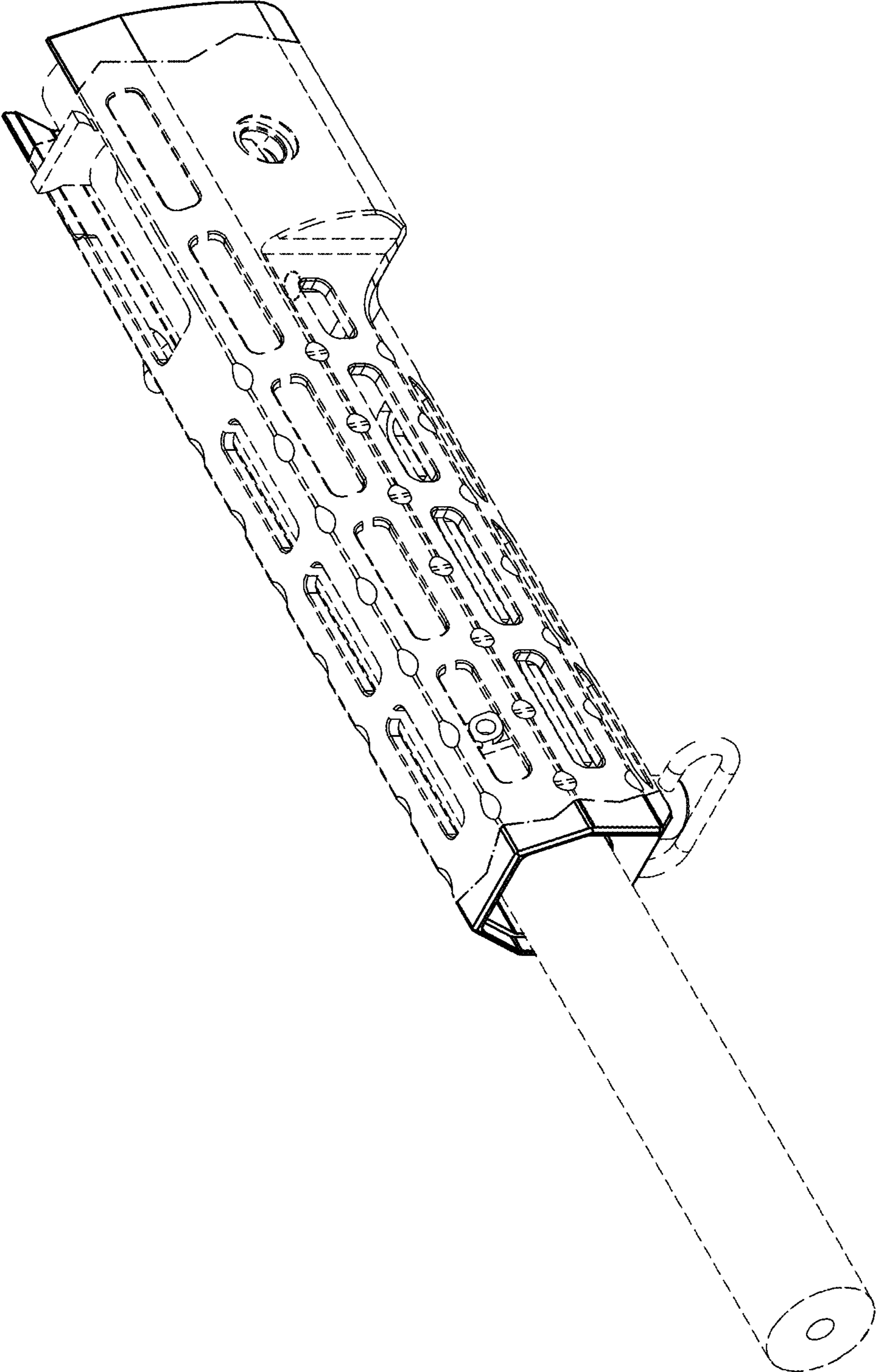


FIG. 1

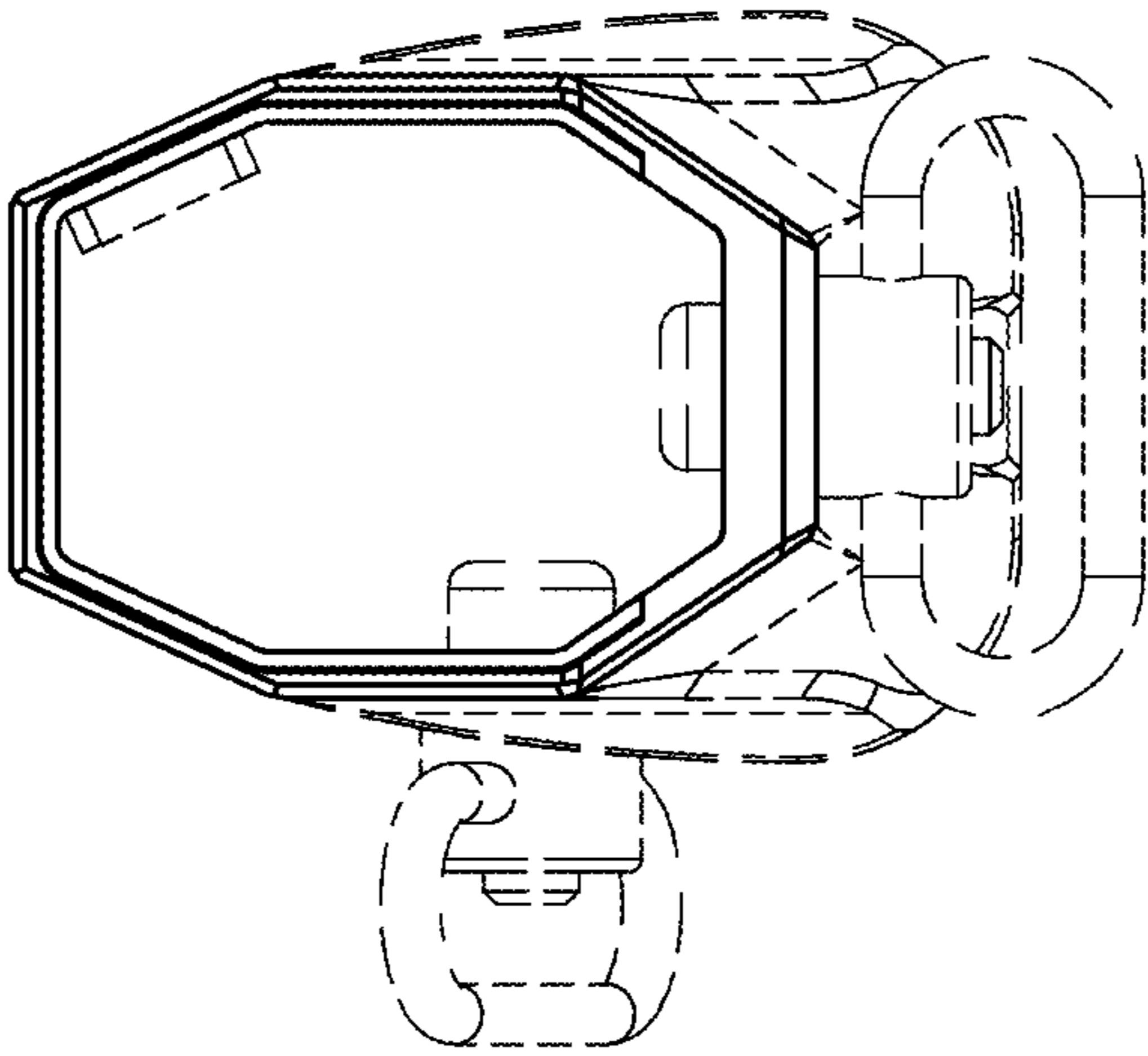


FIG. 2

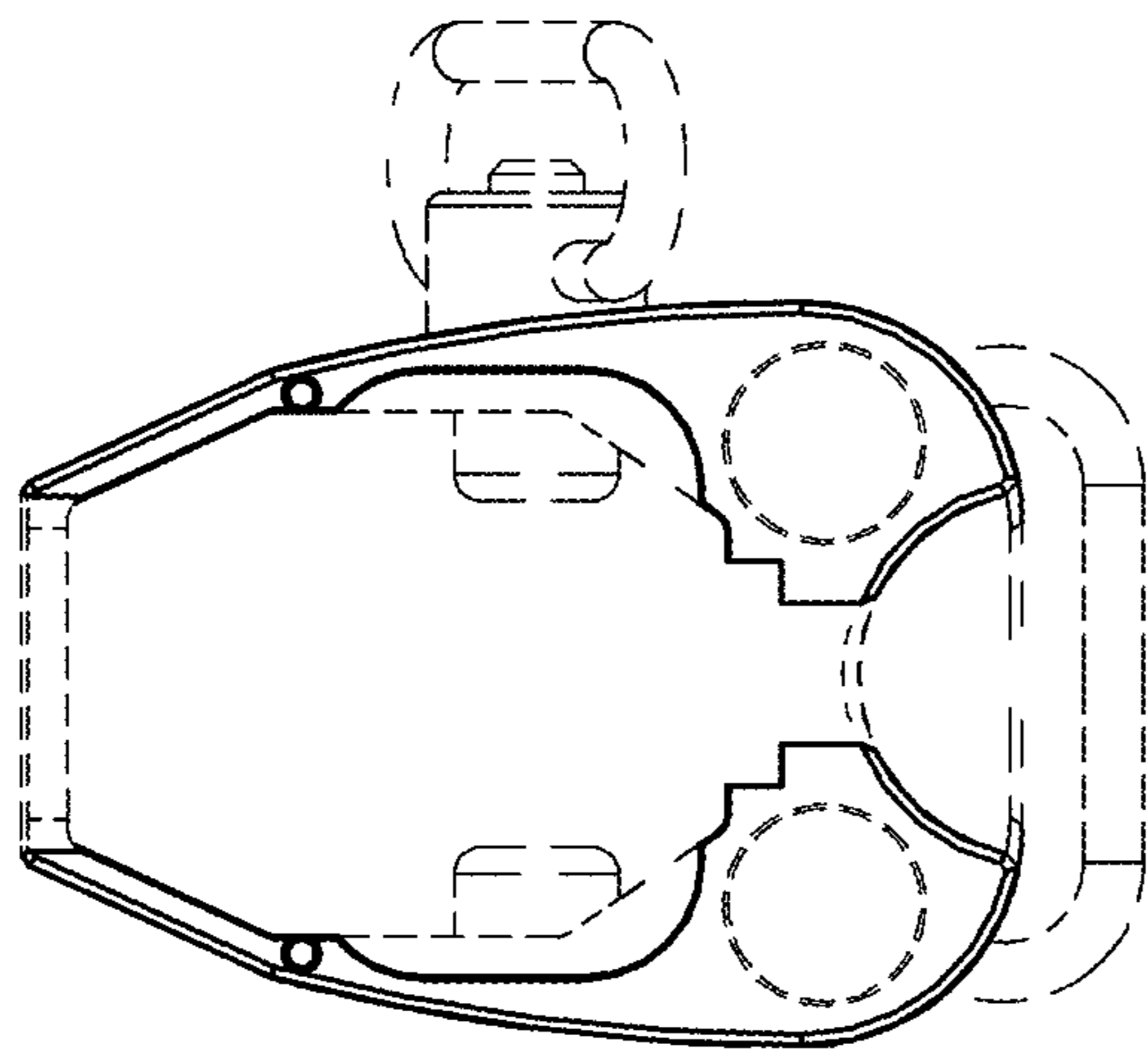


FIG. 3

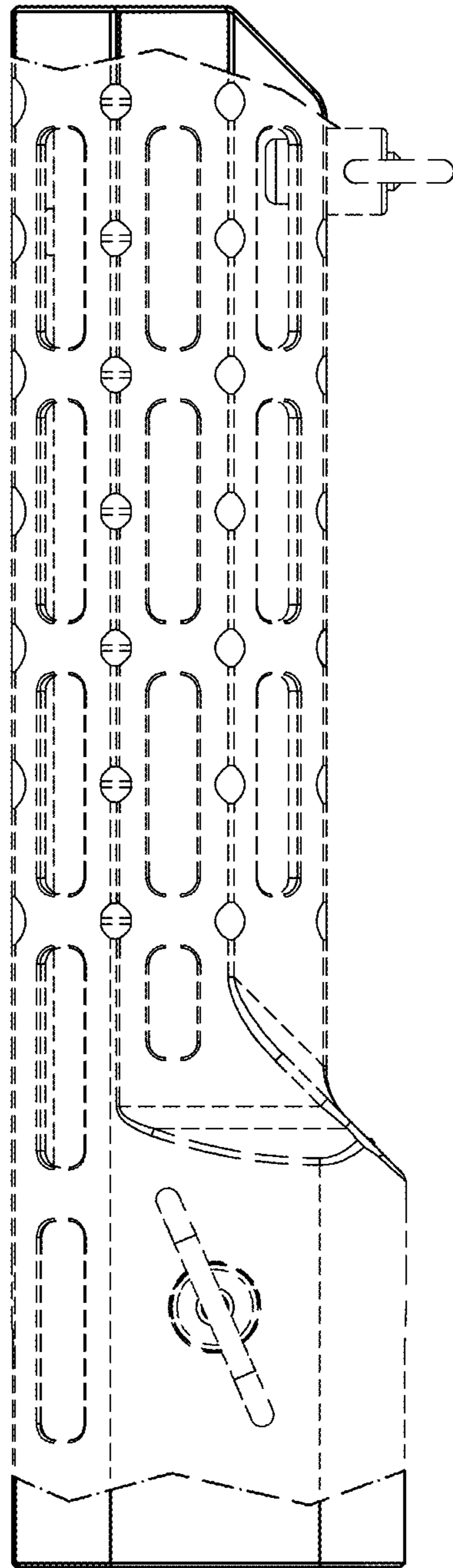


FIG. 4

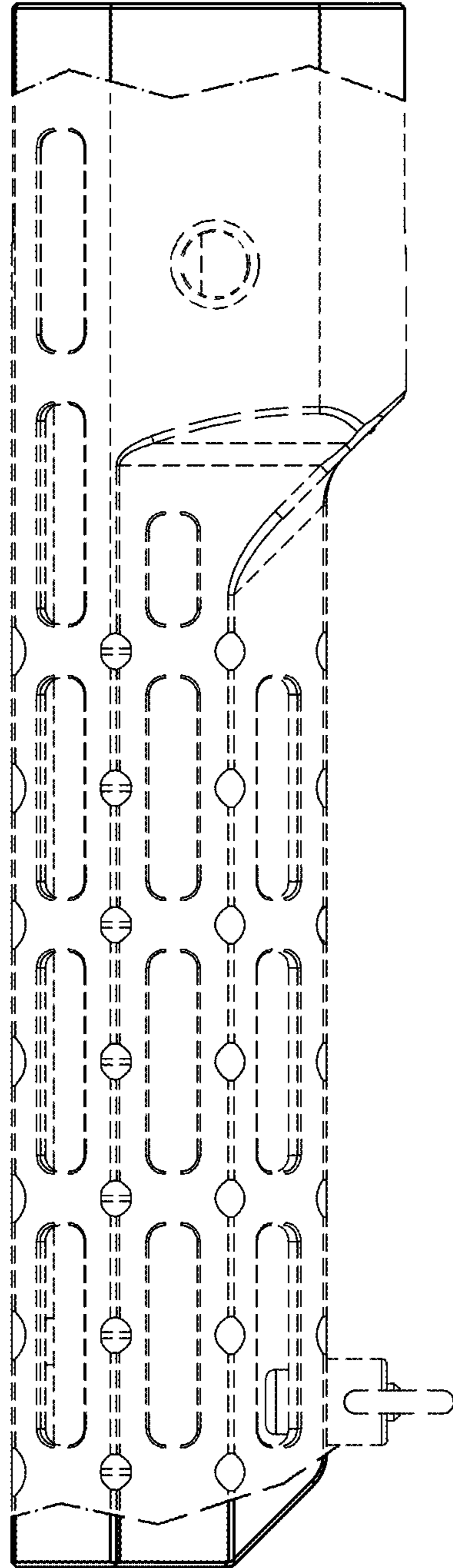


FIG. 5

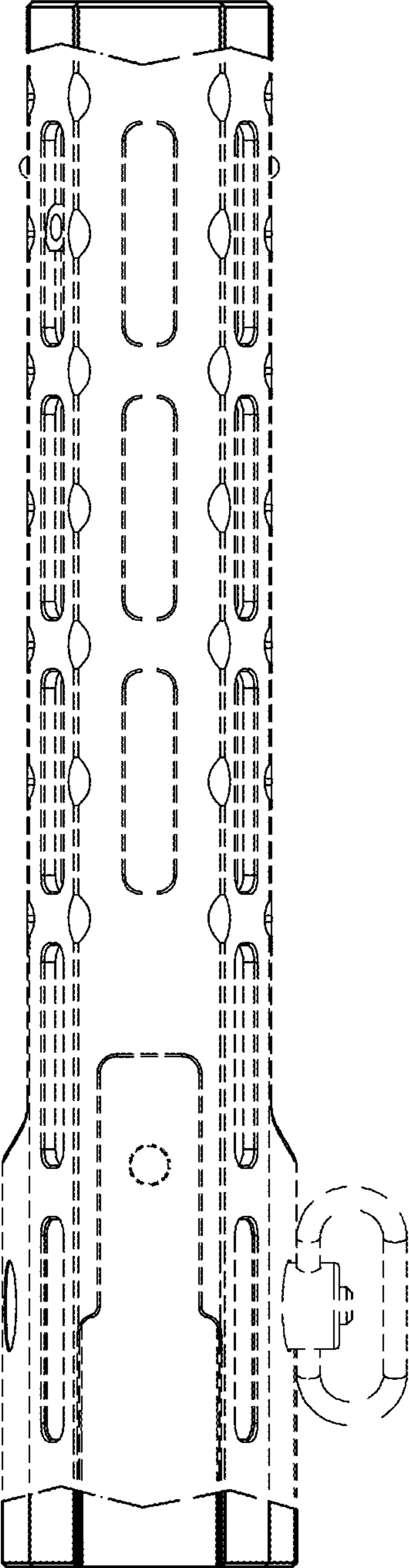


FIG. 6

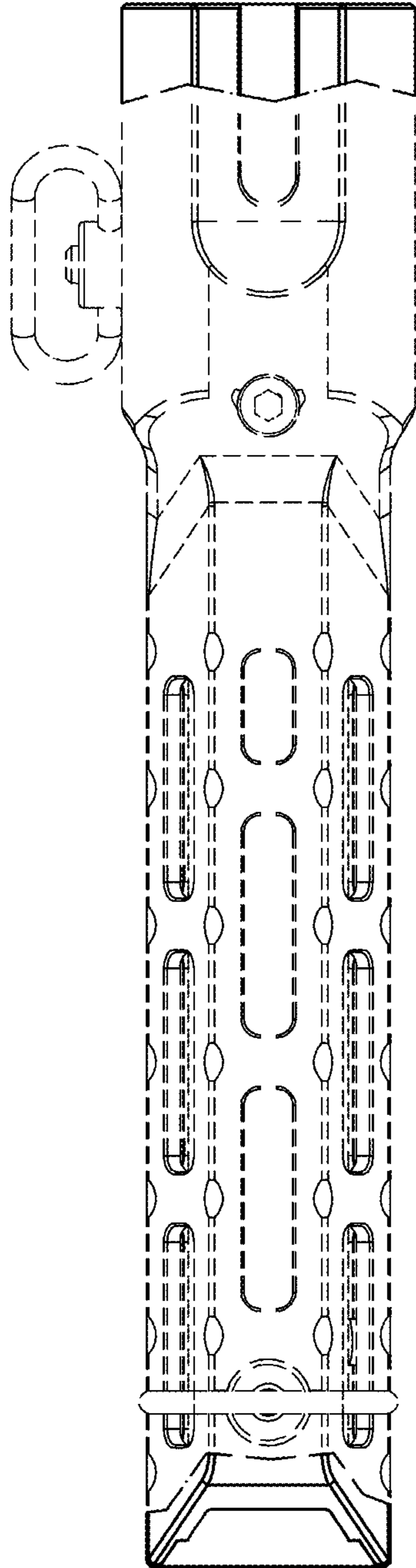


FIG. 7

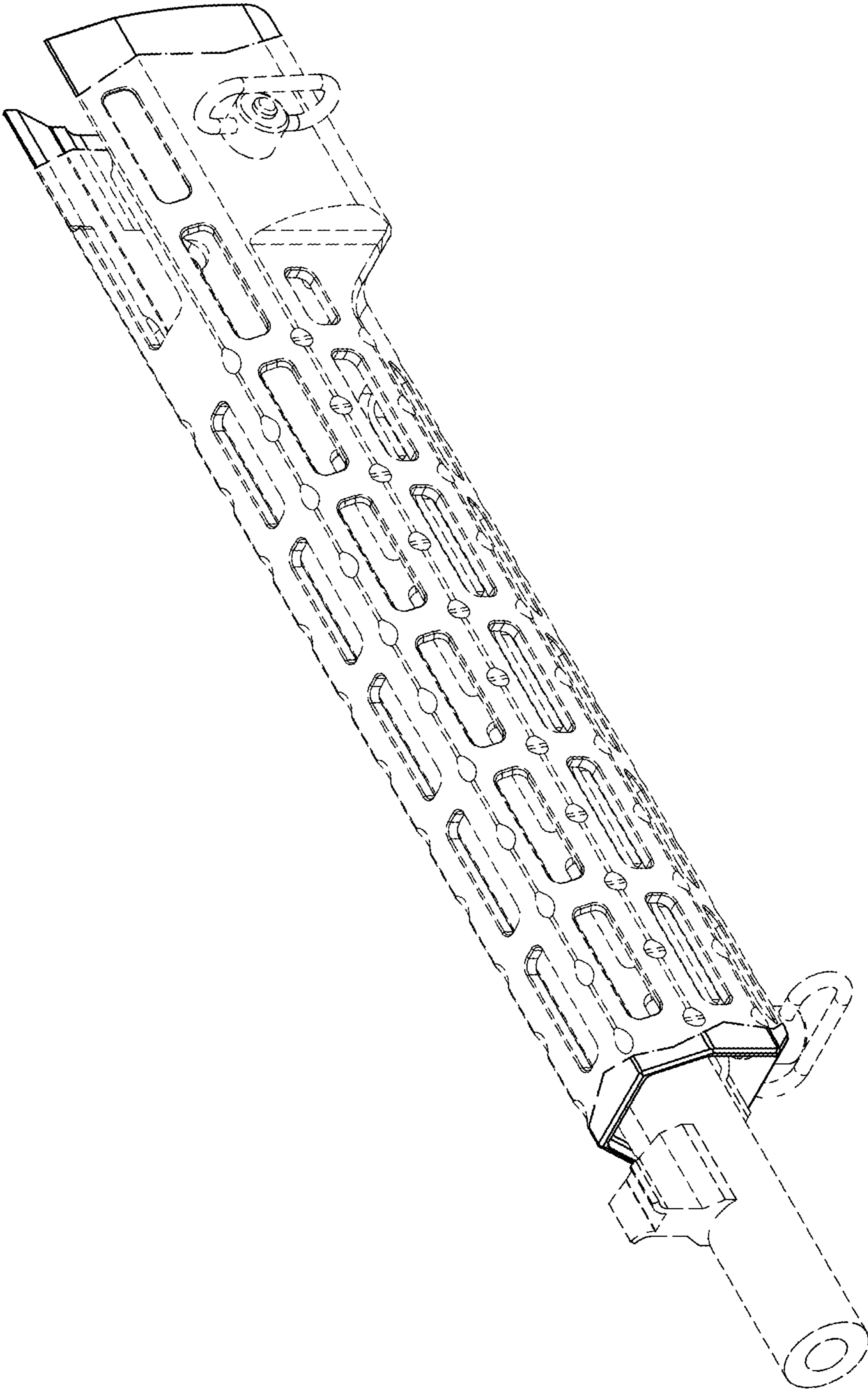


FIG. 8

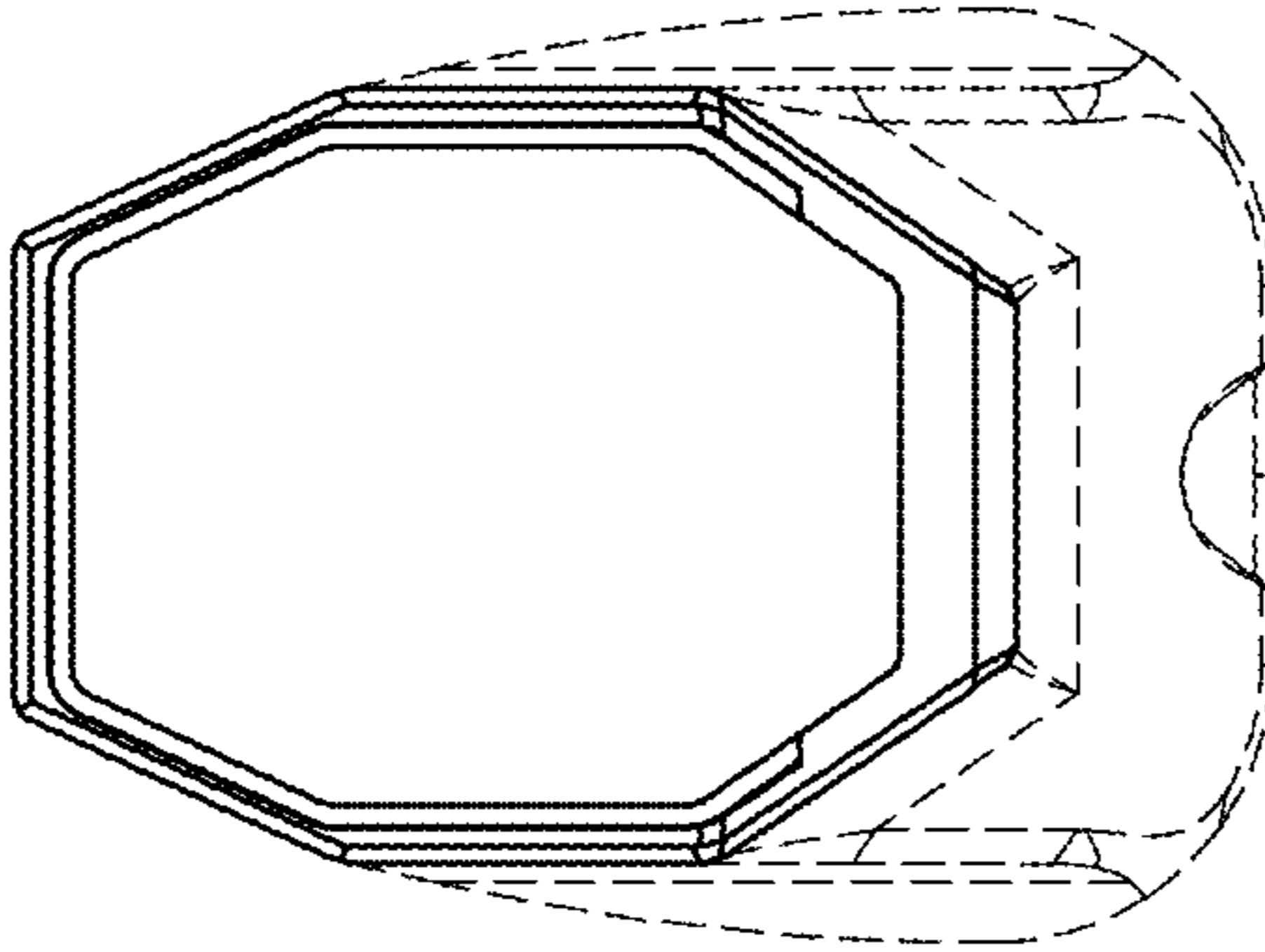


FIG. 9

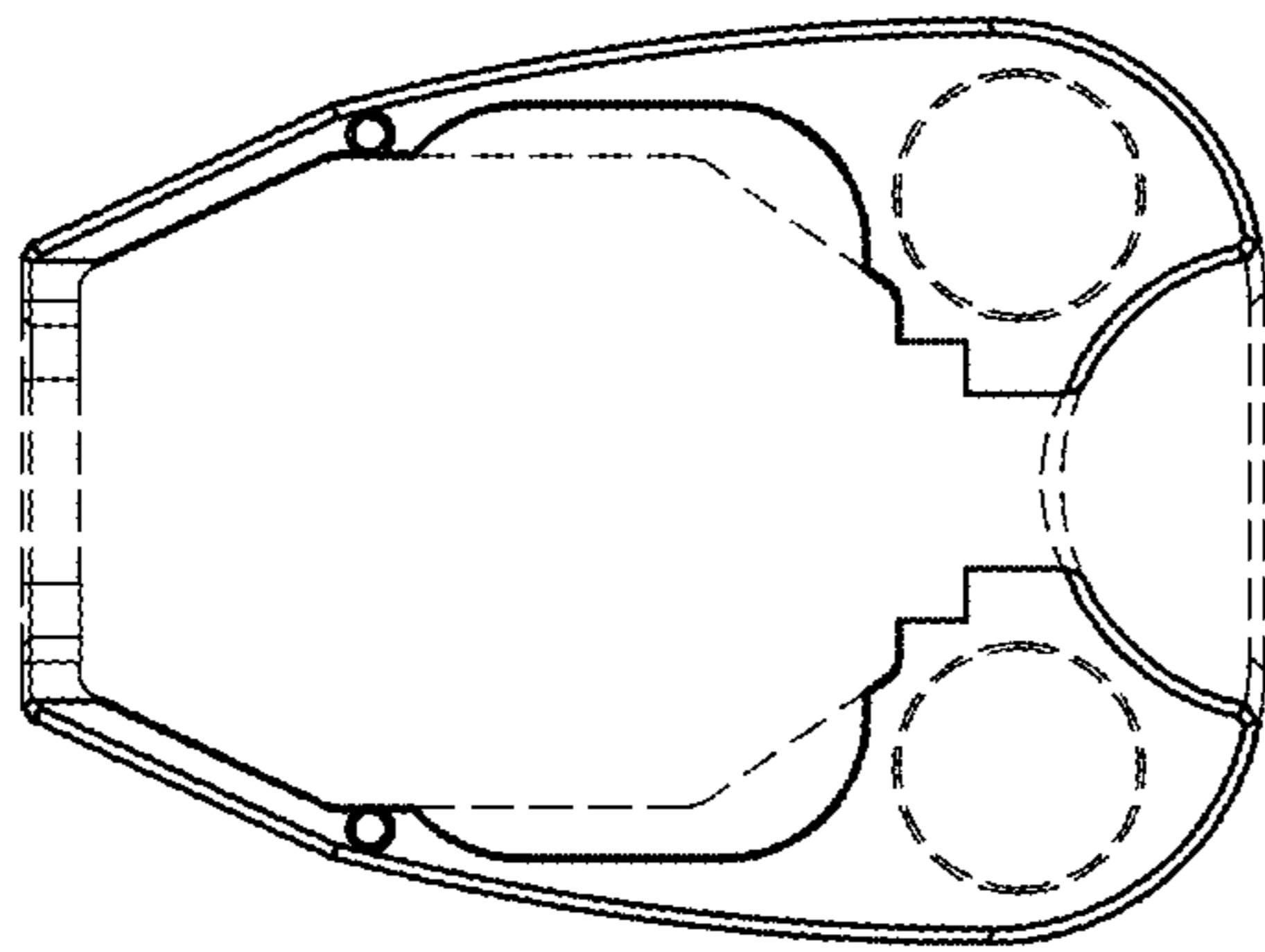


FIG. 10

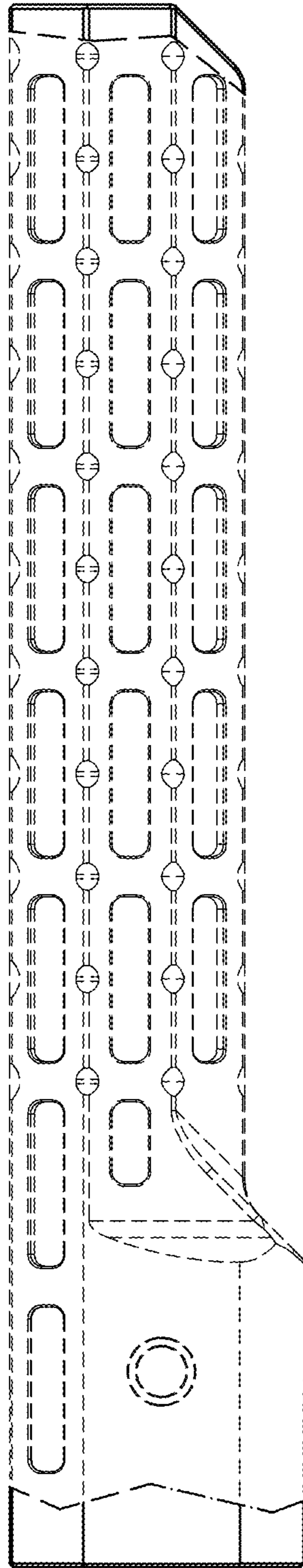


FIG. 11

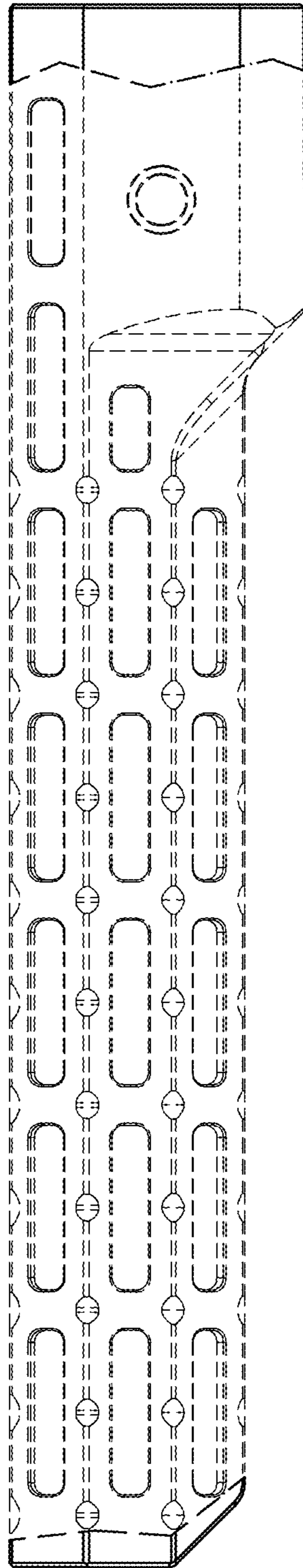


FIG. 12

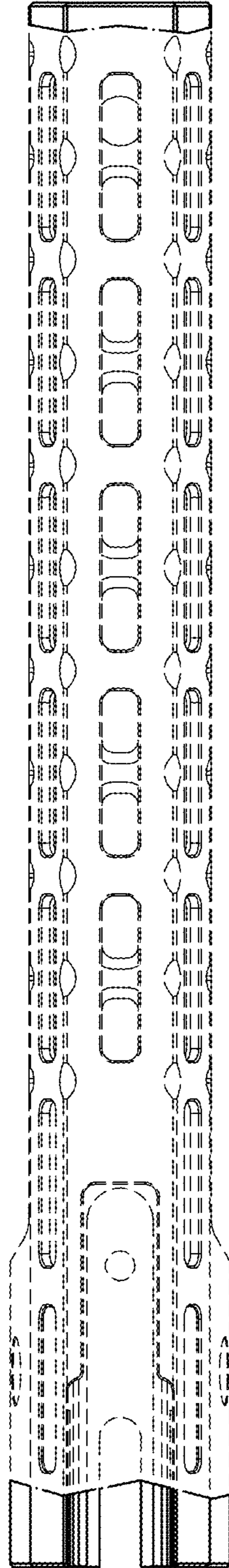


FIG. 13

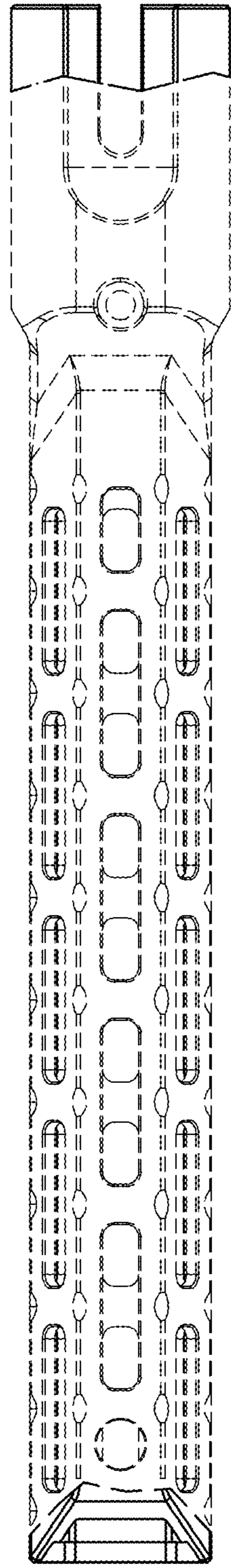


FIG. 14

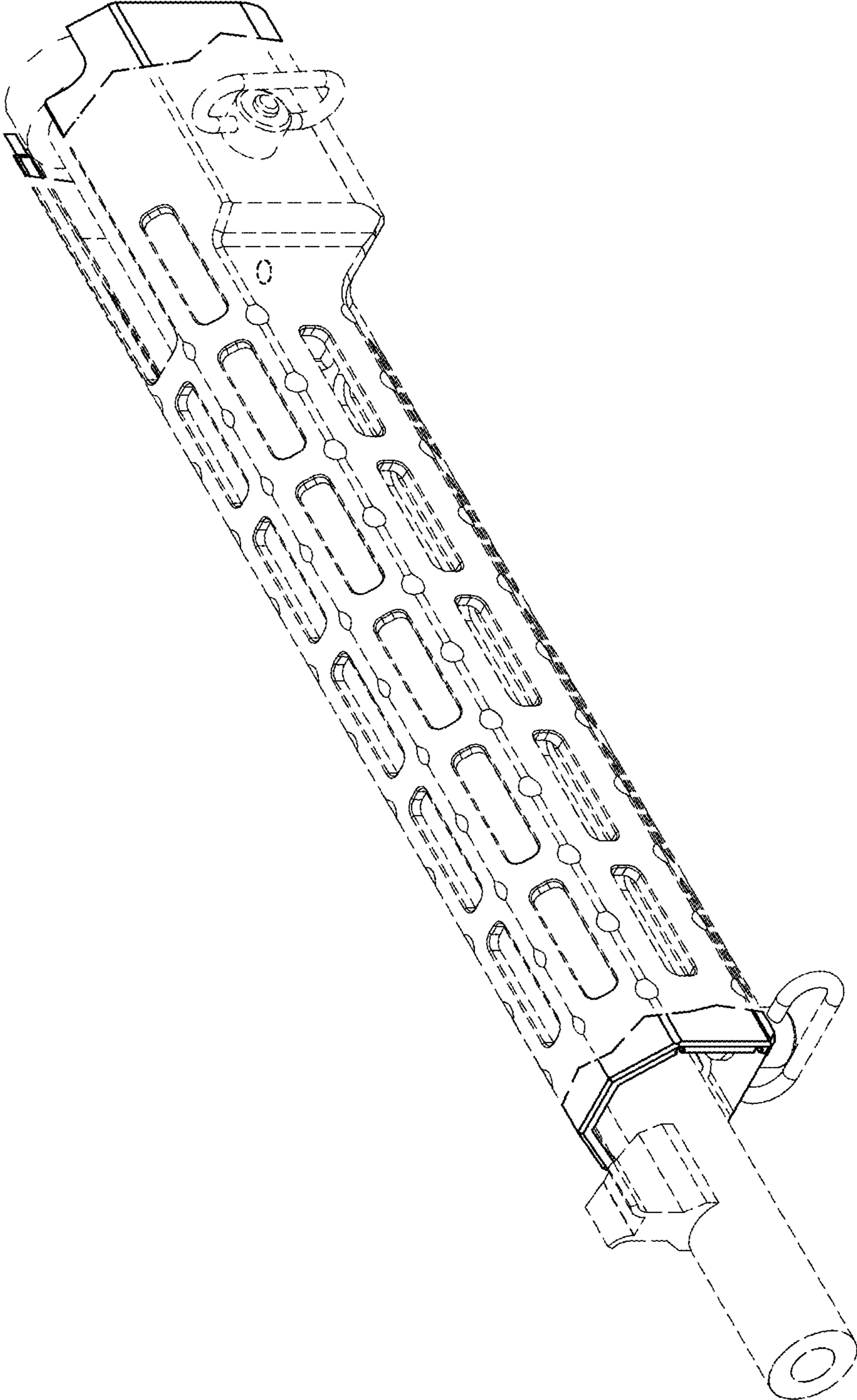


FIG. 15

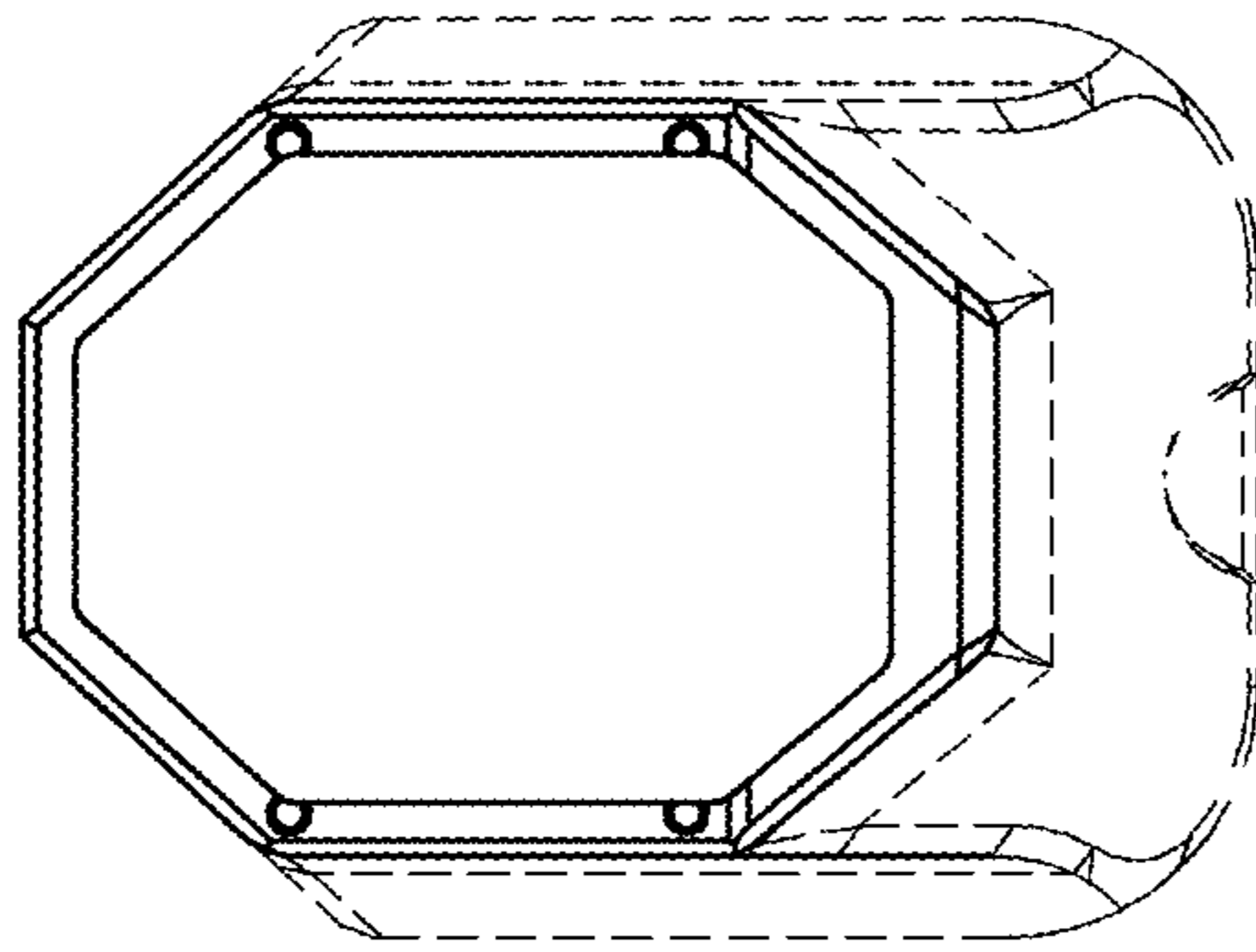


FIG. 16

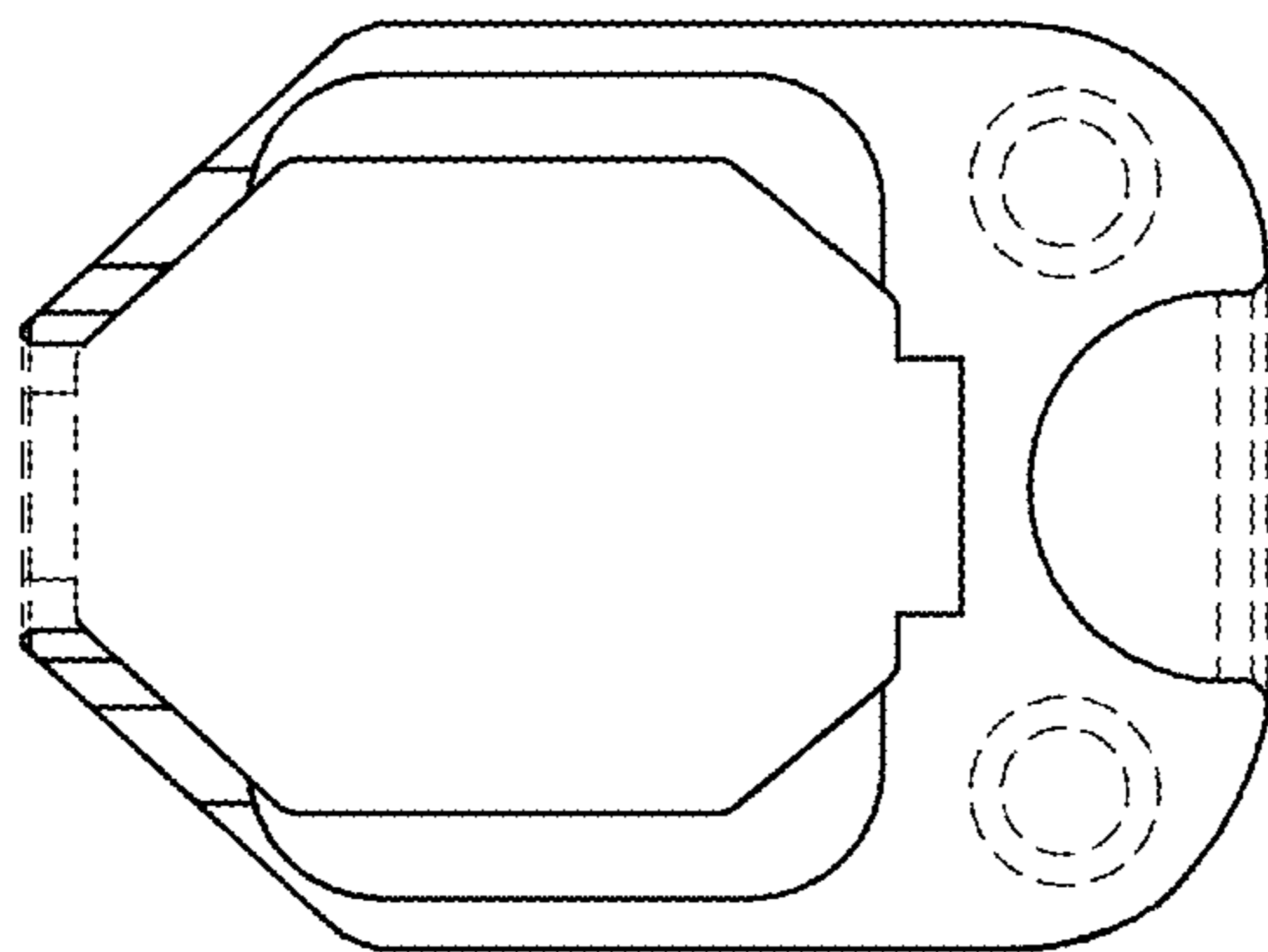


FIG. 17

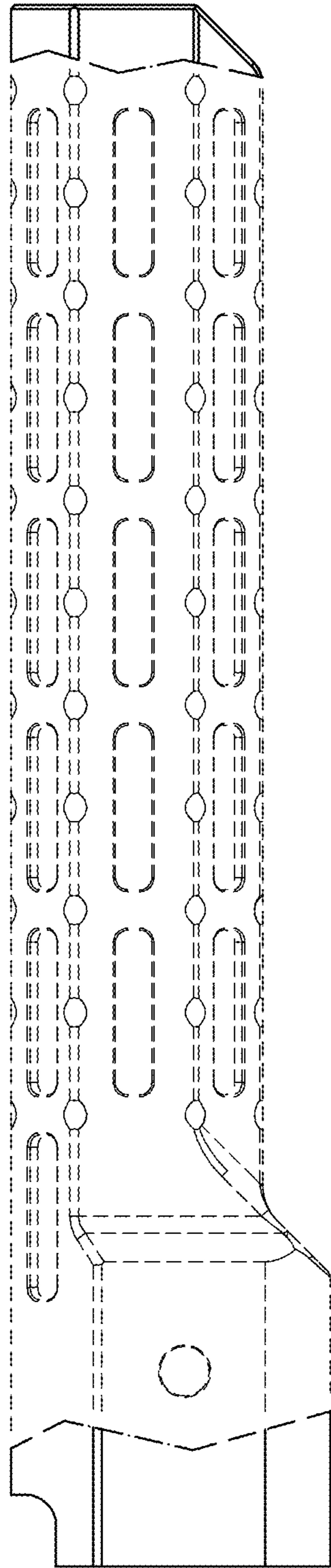


FIG. 18

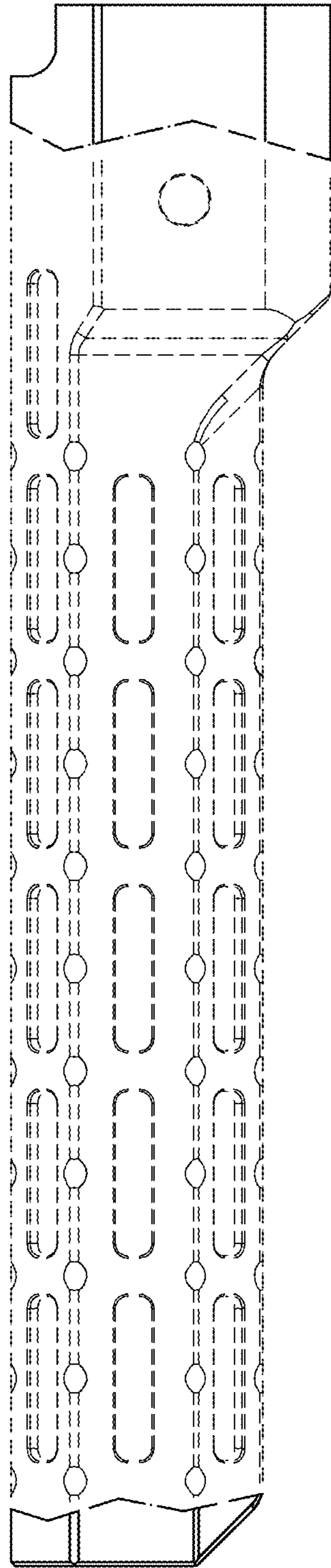


FIG. 19

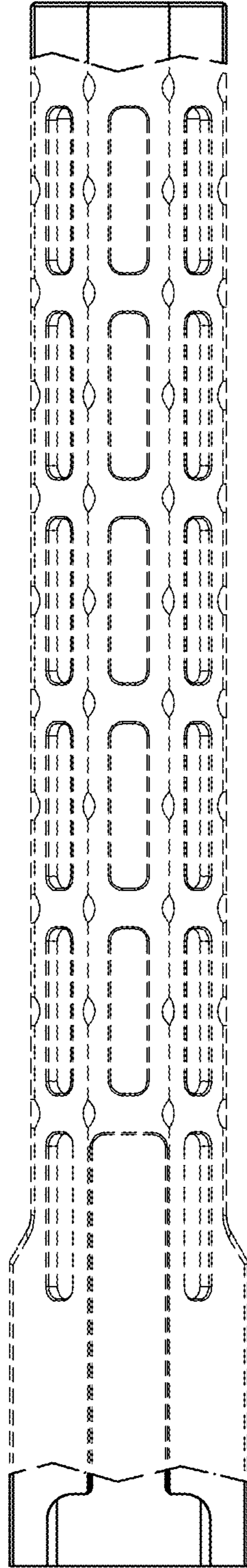


FIG. 20

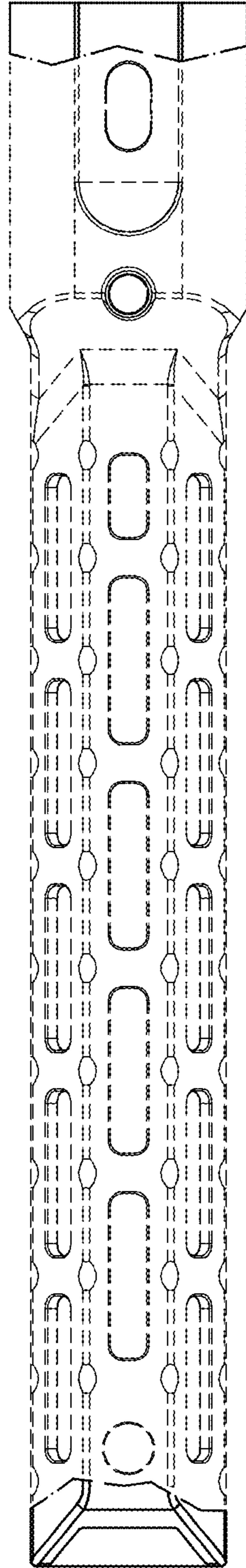


FIG. 21