



US00D895757S

(12) **United States Design Patent**
Leis et al.

(10) **Patent No.:** **US D895,757 S**
(45) **Date of Patent:** **** Sep. 8, 2020**

- (54) **ARCHERY BOW GRIP**
- (71) Applicant: **MCP IP, LLC**, Sparta, WI (US)
- (72) Inventors: **Amos M. Leis**, Sparta, WI (US); **Mark J. Hayes**, Sparta, WI (US); **Jeffrey A. Ozanne**, La Crosse, WI (US)
- (73) Assignee: **MCP IP, LLC**, Sparta, WI (US)
- (**) Term: **15 Years**
- (21) Appl. No.: **29/692,288**
- (22) Filed: **May 23, 2019**
- (51) **LOC (12) Cl.** **22-01**
- (52) **U.S. Cl.**
USPC **D22/107; D21/571**
- (58) **Field of Classification Search**
USPC D22/102, 106, 107, 115, 117, 199;
D21/387, 567, 570, 571, 746
CPC .. F42B 6/08; F42B 6/04; F42B 12/362; A61F
2002/30306; A61F 2230/0097
See application file for complete search history.

| | | | | | | |
|--------------|----|---|---------|-----------|-------|------------|
| D733,830 | S | * | 7/2015 | Chvala | | D22/108 |
| D769,399 | S | * | 10/2016 | Lam | | D22/108 |
| D783,756 | S | * | 4/2017 | McPherson | | D22/107 |
| 10,119,777 | B2 | * | 11/2018 | Wolf | | F41A 19/15 |
| D865,103 | S | * | 10/2019 | Kindig | | D22/108 |
| 2018/0195833 | A1 | * | 7/2018 | Bentley | | F41C 23/10 |

OTHER PUBLICATIONS

“Beereal Mathews Grip” [online]. ultraviewarchery.com. [Retrieved on Apr. 23, 2020]. Retrieved from the Internet: <<https://ultraviewarchery.com/collections/grips/products/beereal-mathews-grip?variant=32022202187857>>.*

* cited by examiner

Primary Examiner — Khawaja Anwar
Assistant Examiner — Mojtaba Tehrani

(57) **CLAIM**

The ornamental design for an archery bow grip, as shown and described.

DESCRIPTION

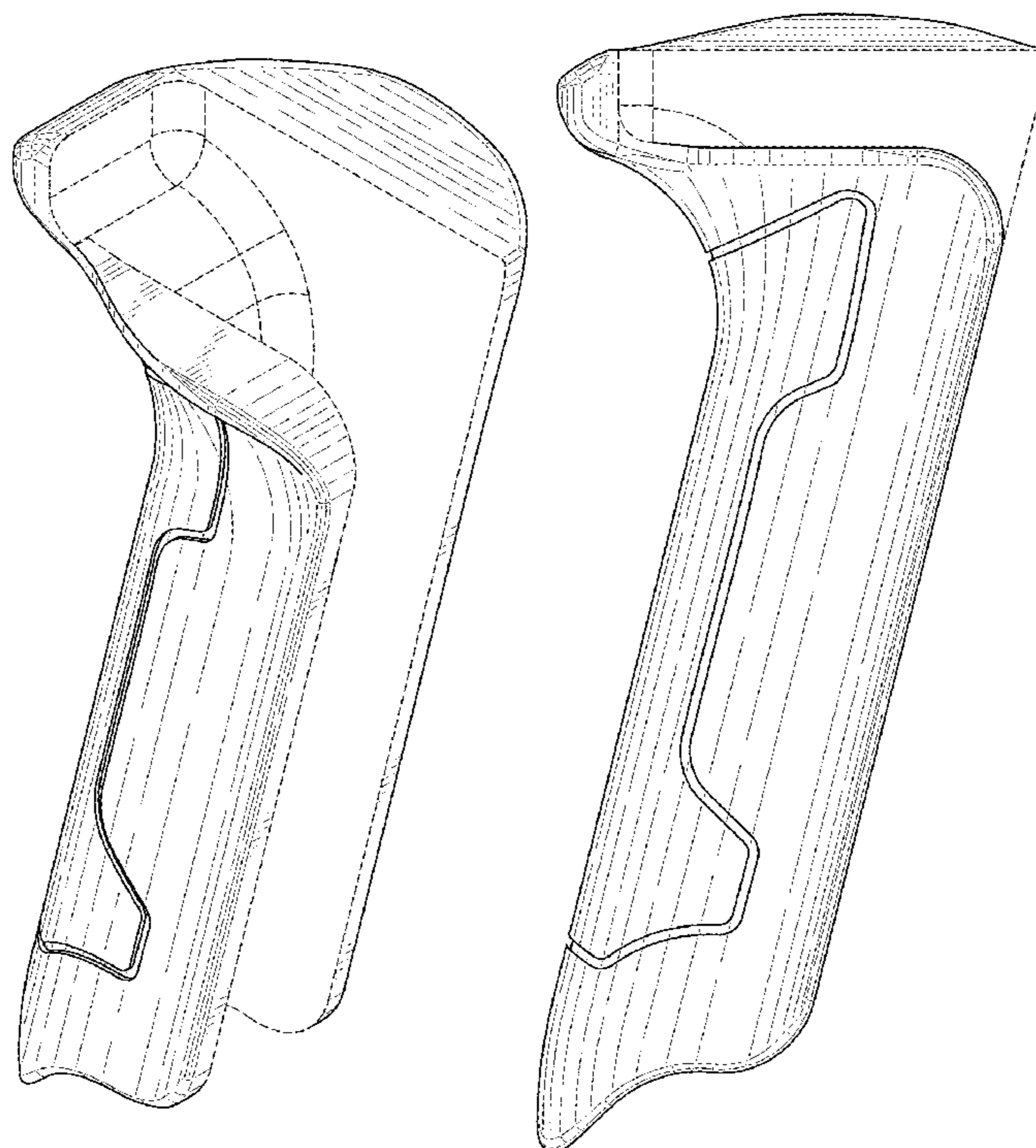
FIG. 1 is a front-right angled view of the archery bow grip; FIG. 2 is a right-side view thereof; FIG. 3 is a left-side view thereof; FIG. 4 is a back view thereof; FIG. 5 is a front view thereof; FIG. 6 is a top view thereof; and, FIG. 7 is a bottom view thereof. The broken lines in the Figures indicate unclaimed portions of the device and are for illustrative purposes only. The broken lines form no portion of the claimed design.

1 Claim, 6 Drawing Sheets

(56) **References Cited**

U.S. PATENT DOCUMENTS

| | | | | |
|-----------|----|---------|--------------|---------------------------|
| 5,243,958 | A | 9/1993 | Shepley, Jr. | |
| 5,842,460 | A | 12/1998 | Barber | |
| D484,926 | S | * | 1/2004 | Rice D21/570 |
| D639,888 | S | * | 6/2011 | McPherson D22/107 |
| D664,413 | S | * | 7/2012 | Steinfels D8/68 |
| 8,622,052 | B1 | * | 1/2014 | McPherson F41B 5/14 |
| | | | | 124/86 |
| D718,830 | S | * | 12/2014 | Barnett D22/107 |



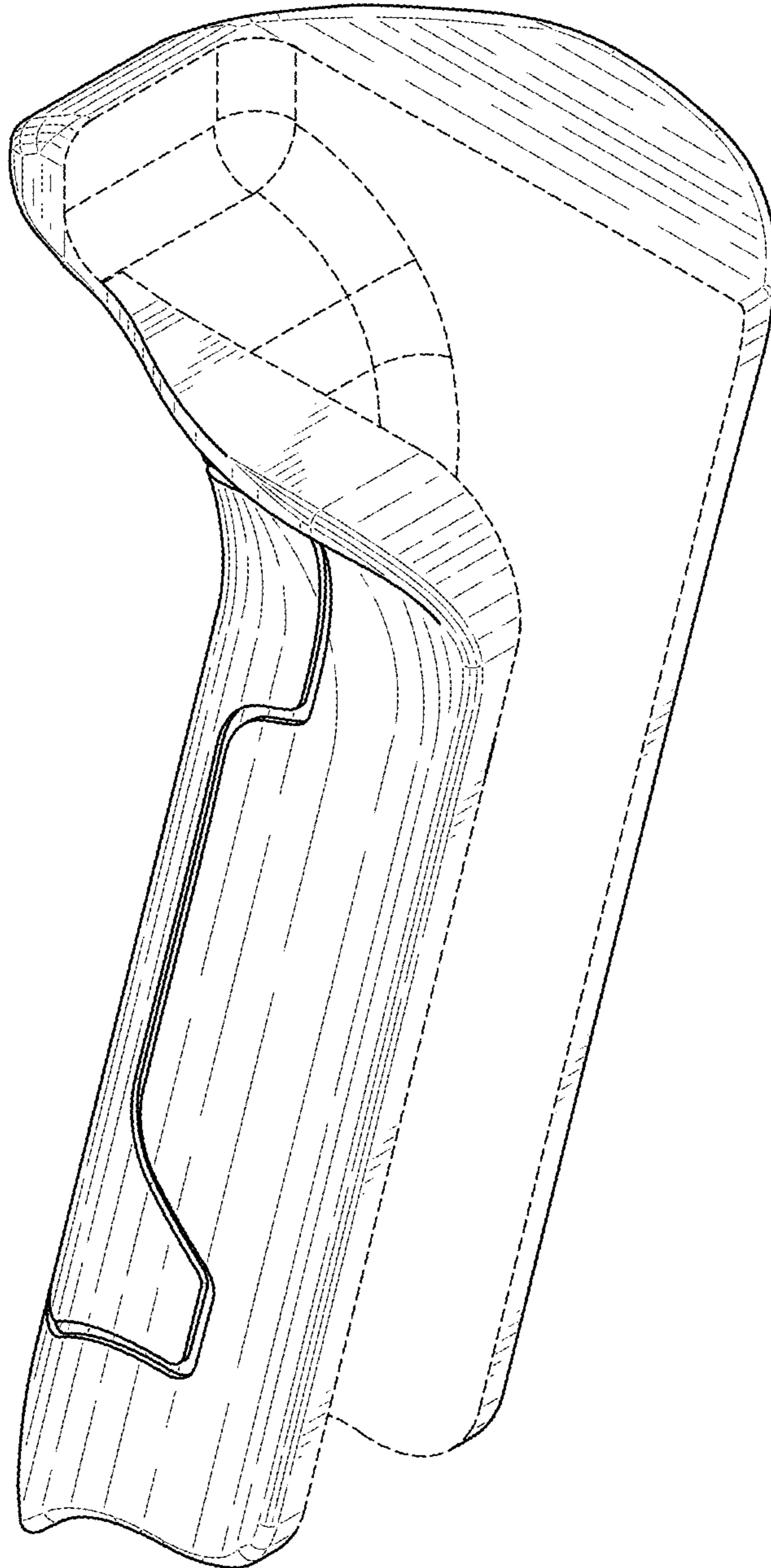


FIG. 1

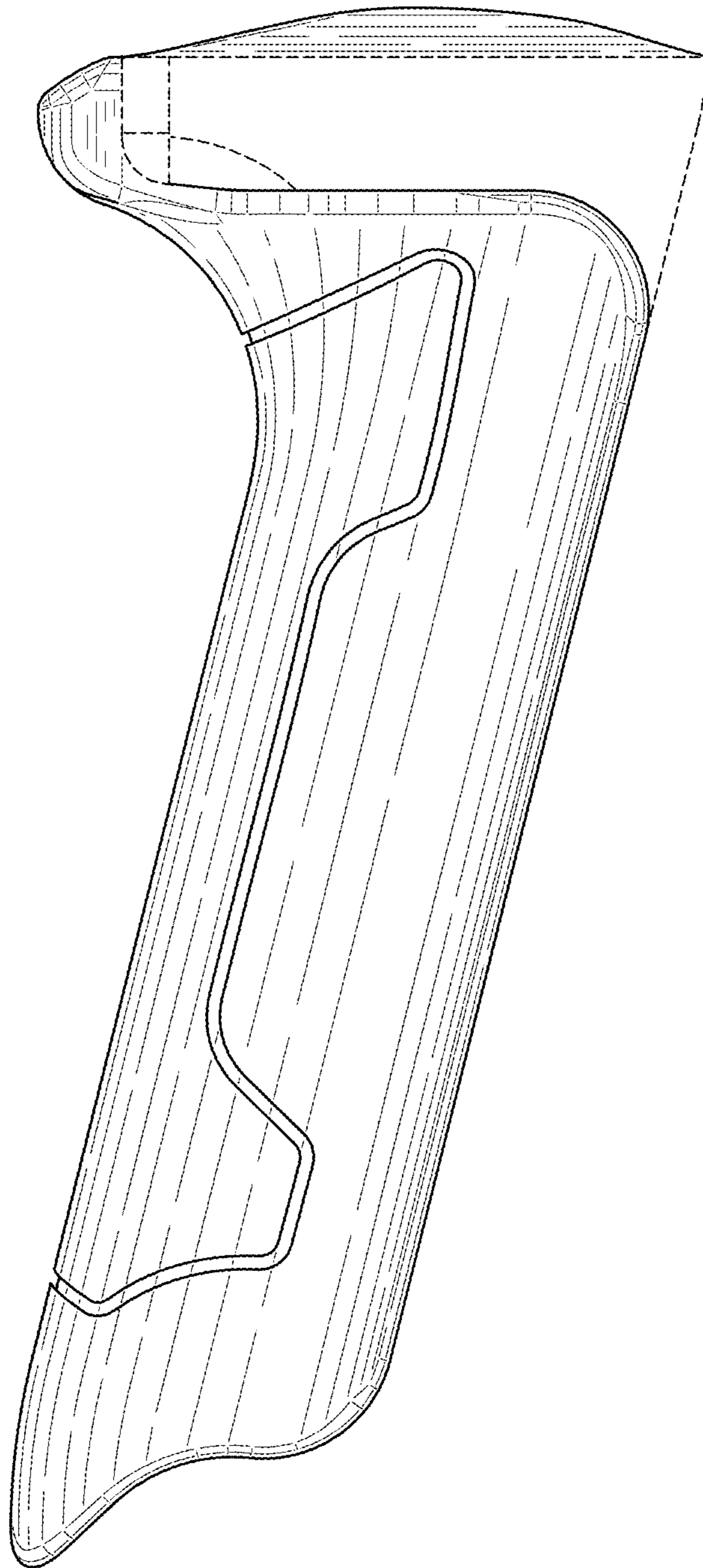


FIG. 2

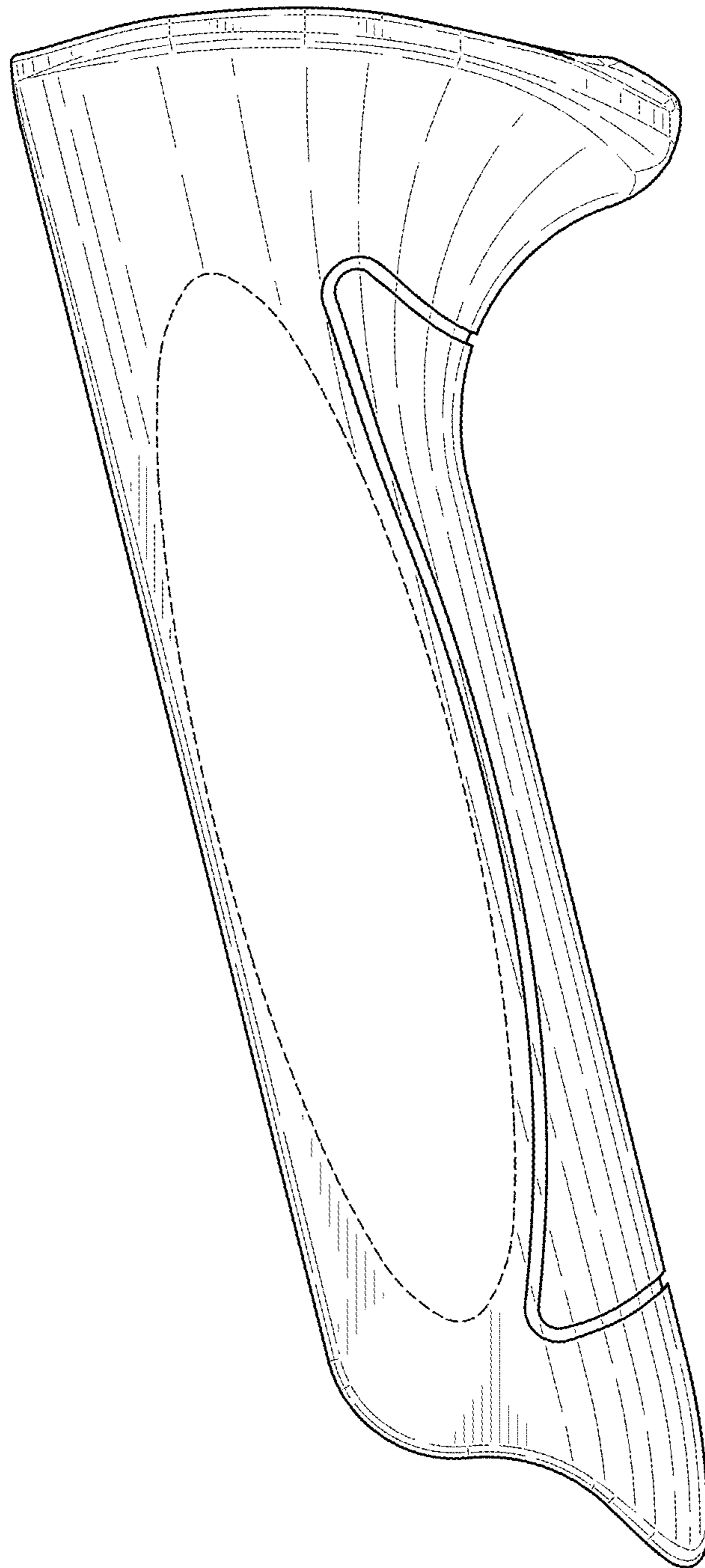


FIG. 3

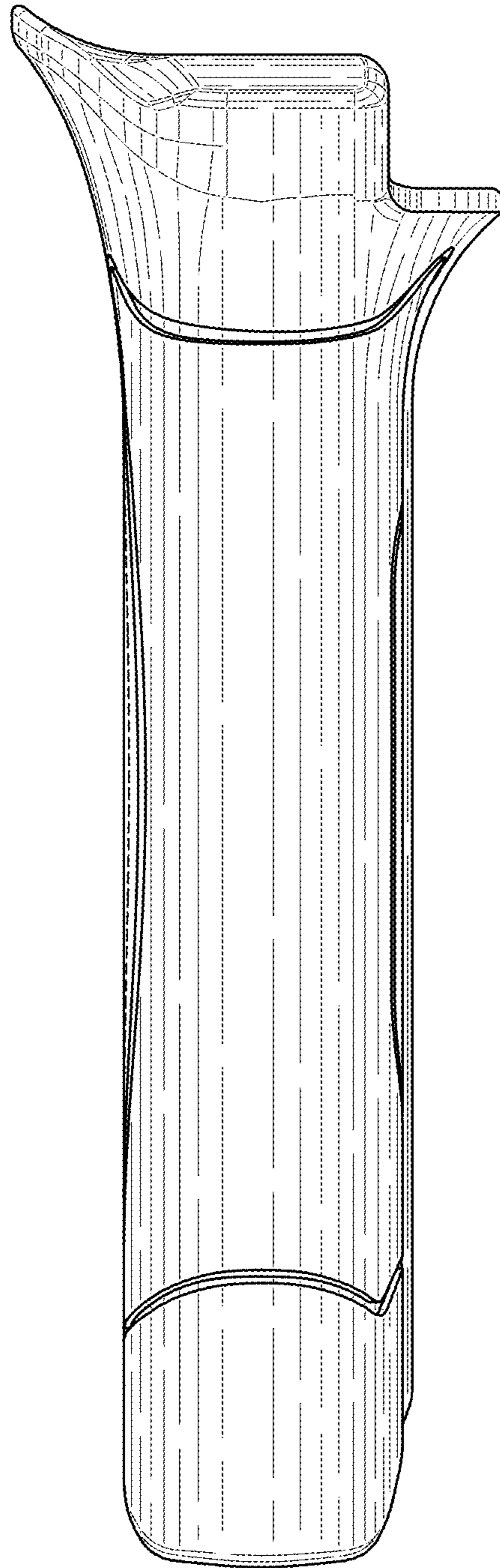


FIG. 4

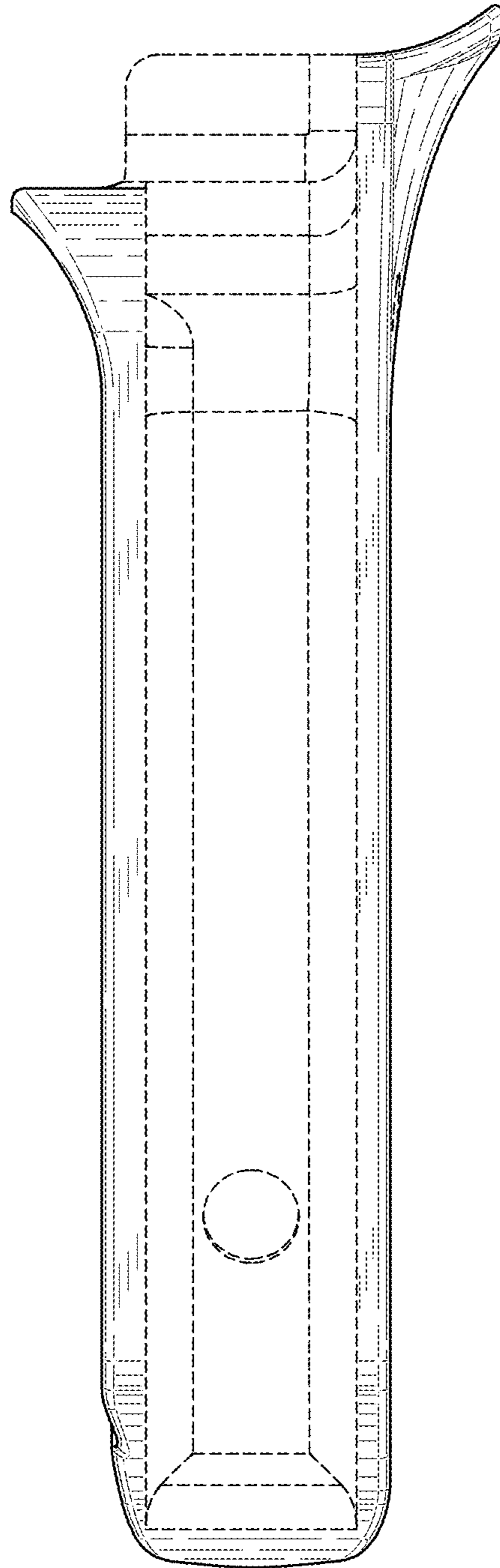


FIG. 5

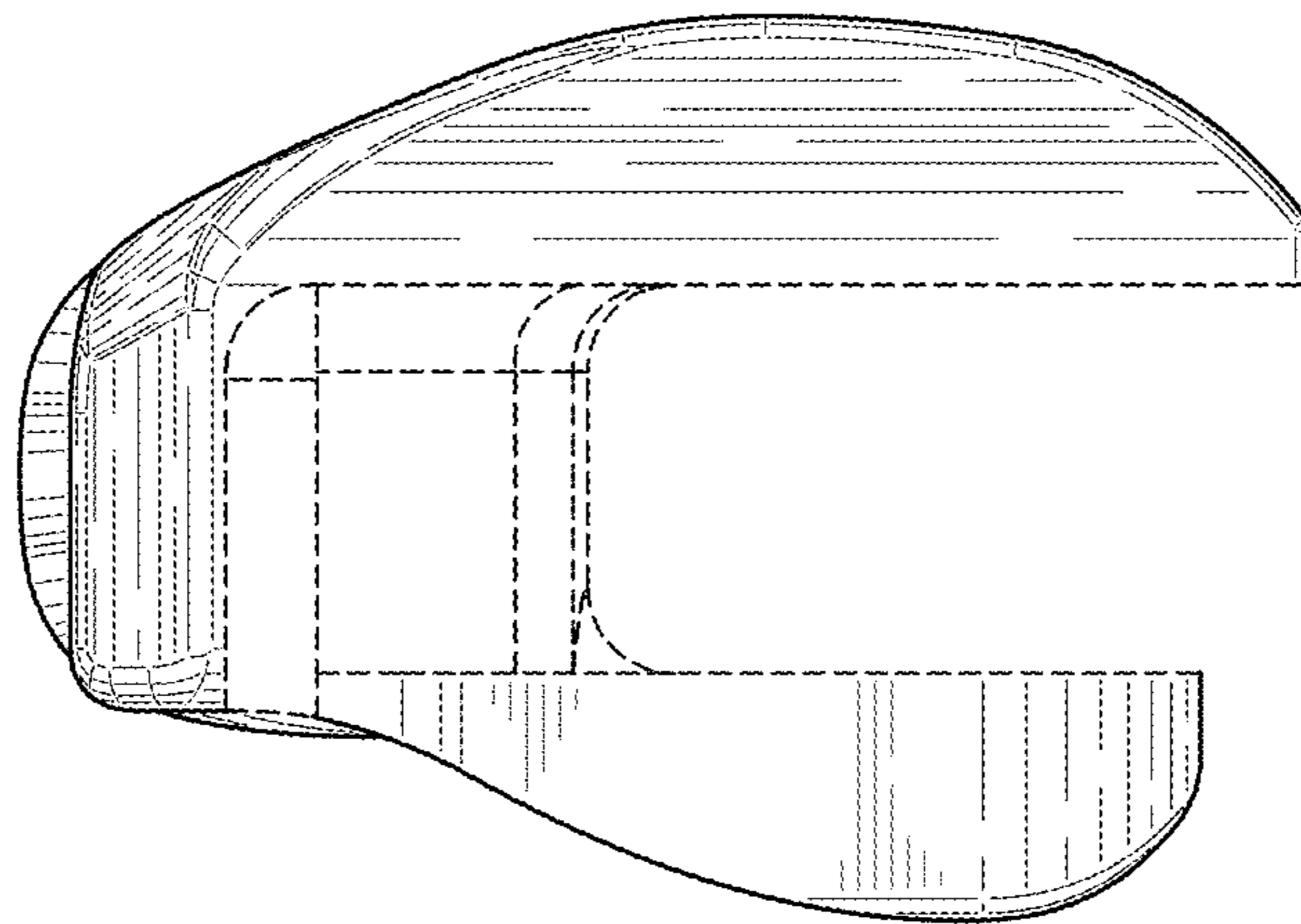


FIG. 6

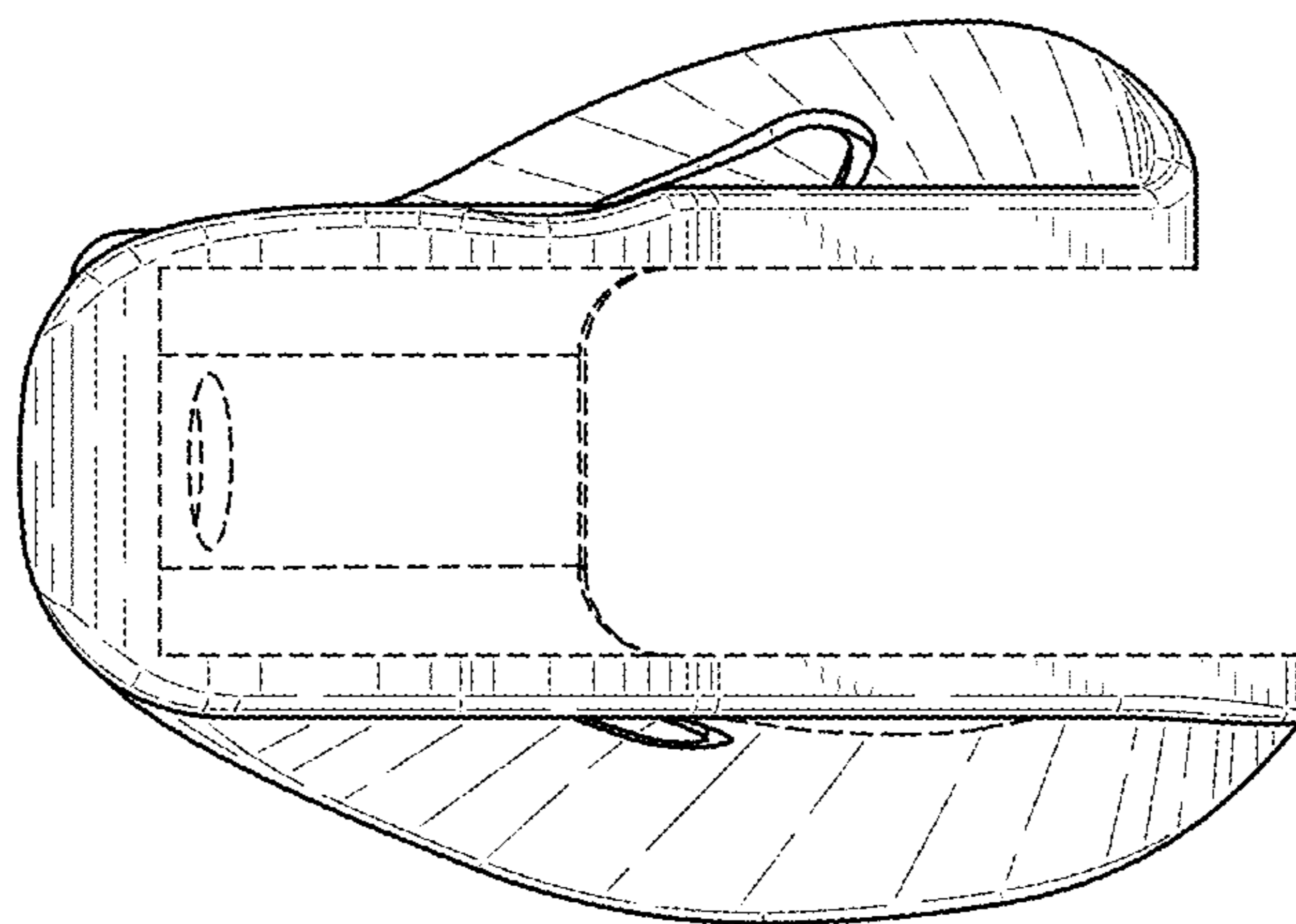


FIG. 7