



US00D895756S

(12) **United States Design Patent**
Whincup et al.

(10) **Patent No.:** **US D895,756 S**

(45) **Date of Patent:** **** Sep. 8, 2020**

- (54) **INFLATABLE OBSTACLE**
- (71) Applicants: **Robin Whincup**, Port Charlotte, FL (US); **Michael Robin Whincup**, Bradenton, FL (US)
- (72) Inventors: **Robin Whincup**, Port Charlotte, FL (US); **Michael Robin Whincup**, Bradenton, FL (US)
- (**) Term: **15 Years**
- (21) Appl. No.: **29/669,525**
- (22) Filed: **Nov. 8, 2018**
- (51) **LOC (12) Cl.** **21-03**
- (52) **U.S. Cl.**
USPC **D21/818; D21/835**
- (58) **Field of Classification Search**
USPC D21/811, 814, 818-822, 835
CPC A63G 21/00-21/22; A63G 31/00; A63G 31/12
See application file for complete search history.

D460,141 S *	7/2002	Gourchounian	D21/820
6,565,405 B2 *	5/2003	Hsu	A63B 5/11 446/220
D556,287 S *	11/2007	Robinson	D21/819
D556,288 S *	11/2007	Robinson	D21/815
D556,849 S *	12/2007	Ferraro, Sr.	D21/815
D595,802 S *	7/2009	Boulton	D21/835
D600,769 S *	9/2009	Xiao	D21/820
D600,770 S *	9/2009	Xiao	D21/820
D627,848 S *	11/2010	Cline	D21/814
7,878,877 B2 *	2/2011	Scherba	A63G 9/00 446/220
7,976,396 B2 *	7/2011	Boretskin	A63G 31/12 472/134
D680,184 S *	4/2013	O'Rourke	D21/835
D762,800 S *	8/2016	Scherba	D21/811
D762,801 S *	8/2016	Scherba	D21/811
D803,340 S *	11/2017	Scherba	D21/814
D815,709 S *	4/2018	Wang	D21/818

(Continued)

Primary Examiner — Mitchell I. Siegel

(74) *Attorney, Agent, or Firm* — Christensen O'Connor Johnson Kindness PLLC

(57) **CLAIM**

The ornamental design for an inflatable obstacle, as shown and described.

DESCRIPTION

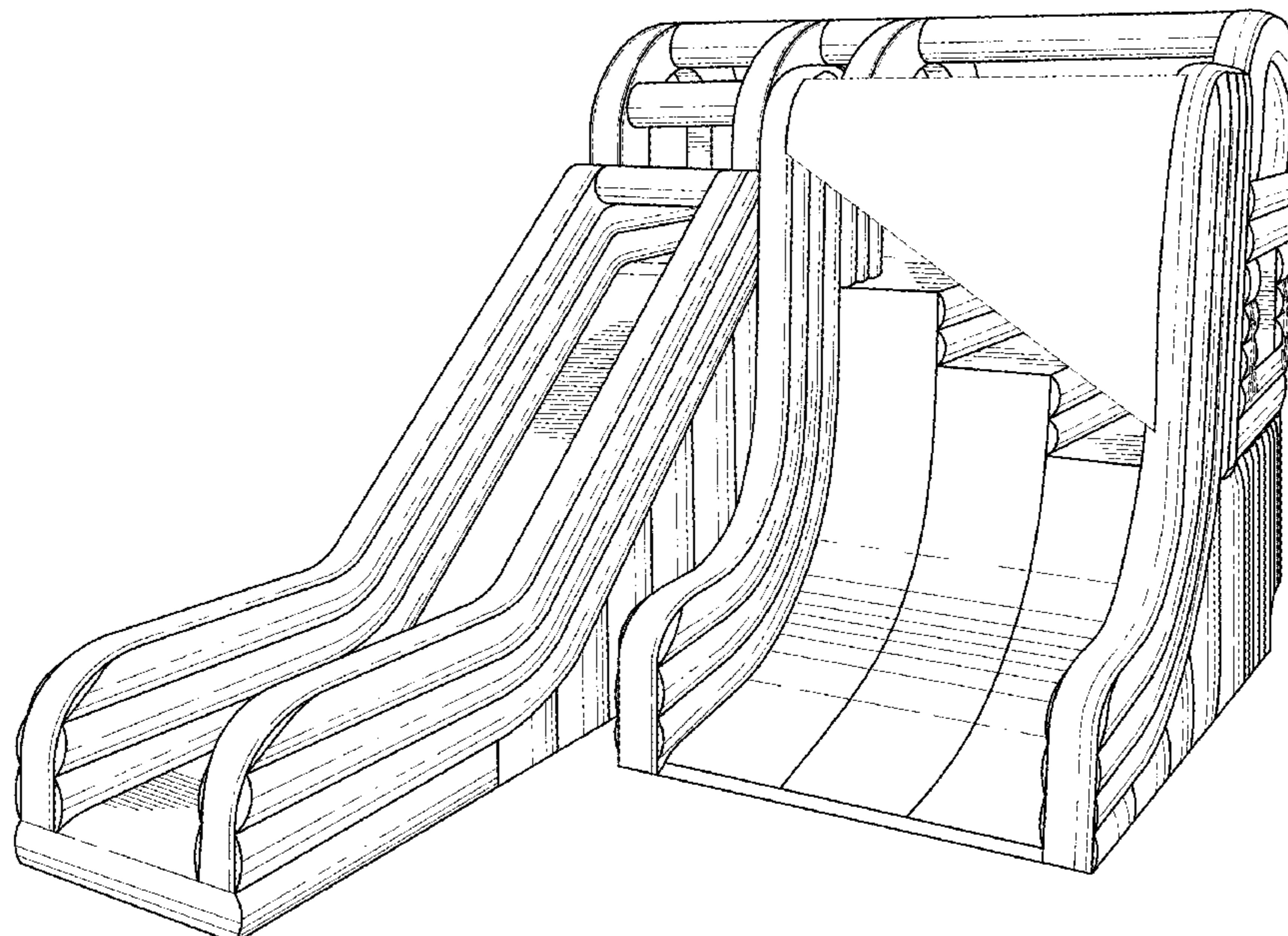
FIG. 1 is a front and right side perspective view of an inflatable obstacle in accordance with the new design; FIG. 2 is a front perspective view thereof; FIG. 3 is a top, front, and left side perspective view thereof; FIG. 4 is a rear and left side perspective view thereof; and, FIG. 5 is a rear and right side perspective view thereof. The bottom view is flat and unornamented and forms no part of the claimed design. The parts of the figures shown in broken-line perimeter illustrate portions of the inflatable obstacle that form no part of the claimed design.

1 Claim, 5 Drawing Sheets

(56) **References Cited**

U.S. PATENT DOCUMENTS

D365,400 S *	12/1995	Scherba	D25/17
5,555,679 A *	9/1996	Scherba	E04H 15/20 135/126
5,678,357 A *	10/1997	Rubio	E04H 15/20 40/212
D389,217 S *	1/1998	Rubio	D21/814
D422,667 S *	4/2000	Lau	D21/814
D423,624 S *	4/2000	Motosko	D21/814
D437,022 S *	1/2001	Gourchounian	D21/835
D437,023 S *	1/2001	Gourchounian	D21/835
D437,380 S *	2/2001	Gourchounian	D21/835
D439,946 S *	4/2001	Gourchounian	D21/835
D440,622 S *	4/2001	Gourchounian	D21/820
D441,416 S *	5/2001	Gourchounian	D21/820



(56)

References Cited

U.S. PATENT DOCUMENTS

D822,140	S	*	7/2018	Hsu	D21/835
D822,782	S	*	7/2018	Wang	D21/820
D823,418	S	*	7/2018	Bagumyan	D21/833
D824,471	S	*	7/2018	Bagumyan	D21/818
D825,016	S	*	8/2018	Wang	D21/818
D857,830	S	*	8/2019	Wang	D21/818
D861,107	S	*	9/2019	Whincup	D21/811
D861,819	S	*	10/2019	Whincup	D21/811
D862,627	S	*	10/2019	Wang	D21/818
D862,628	S	*	10/2019	Wang	D21/818
D866,698	S	*	11/2019	Wu	D21/818

* cited by examiner

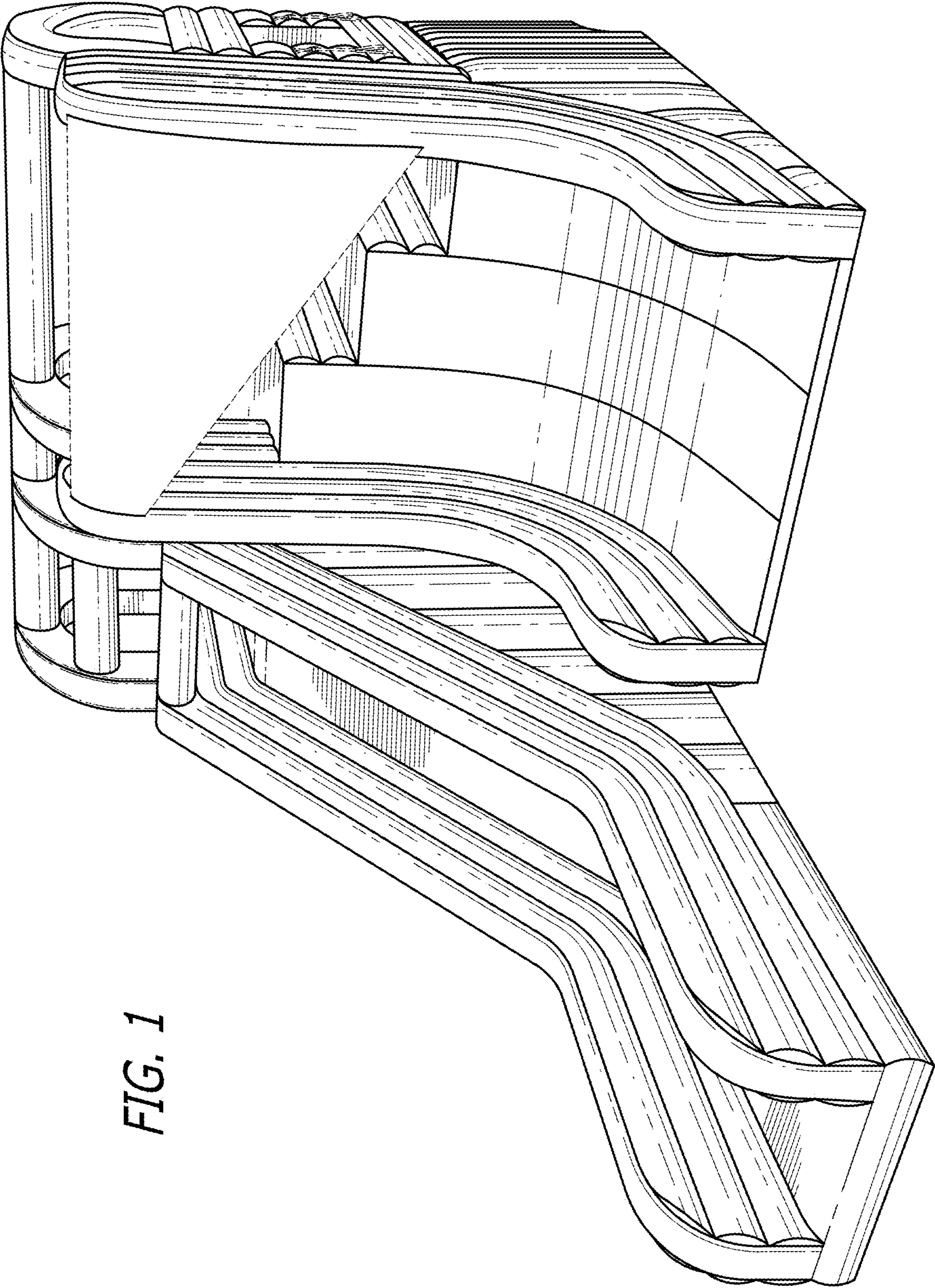


FIG. 1

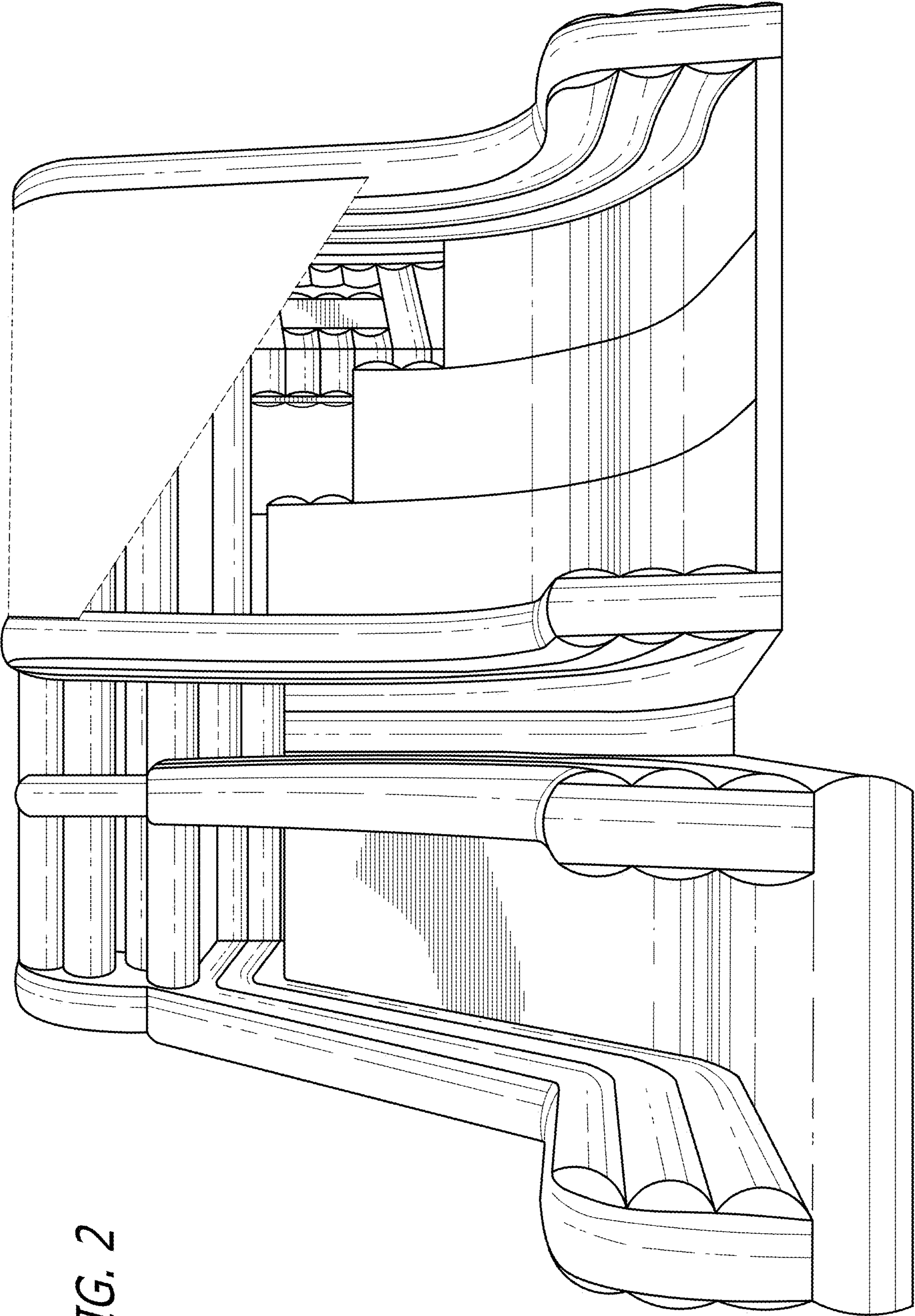


FIG. 2

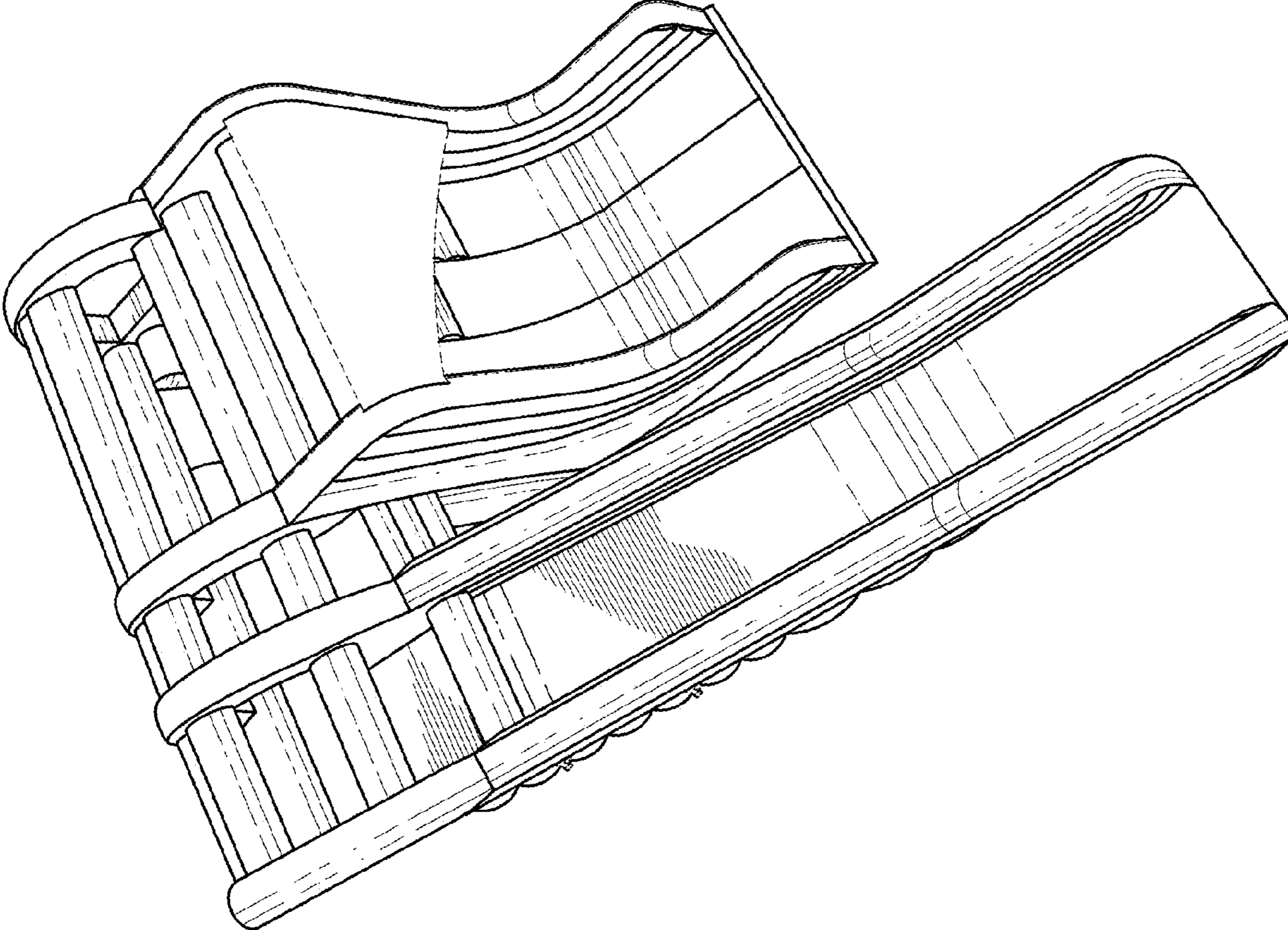
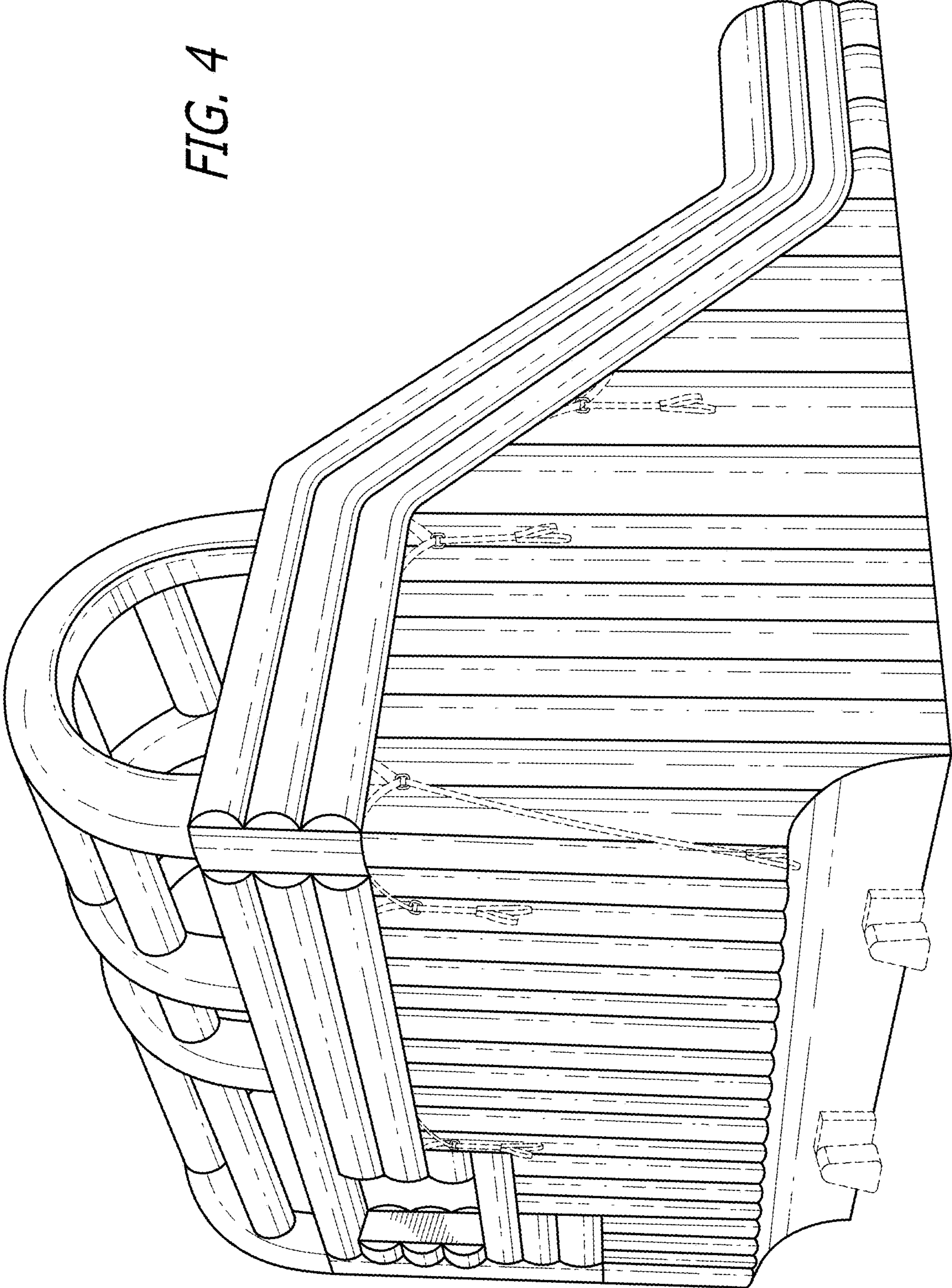


FIG. 3

FIG. 4



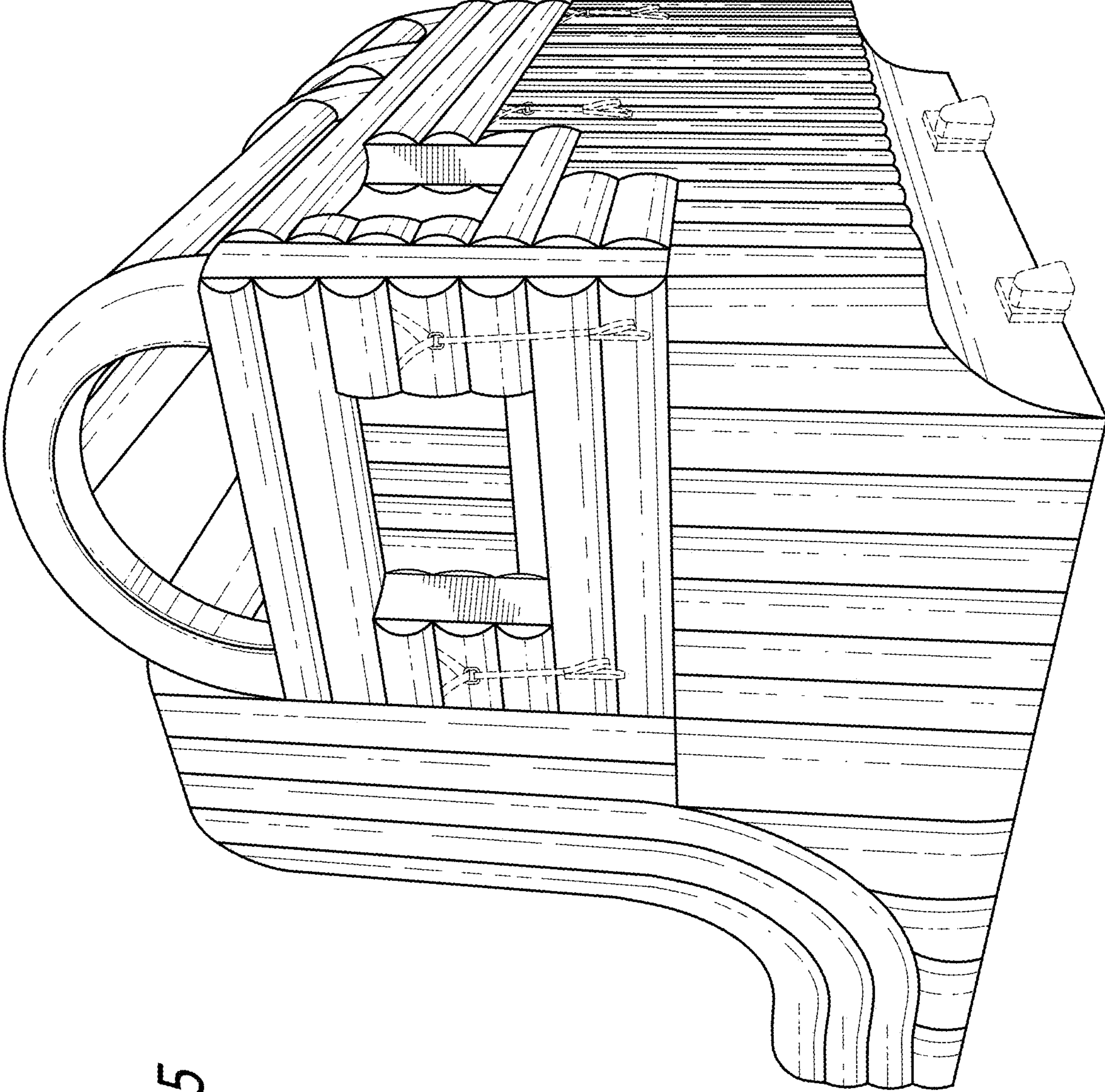


FIG. 5