



US00D895754S

(12) **United States Design Patent** (10) **Patent No.:** **US D895,754 S**
Leposky et al. (45) **Date of Patent:** **** Sep. 8, 2020**

(54) **BALL MARKER**
(71) Applicant: **Callaway Golf Company**, Carsbad, CA (US)
(72) Inventors: **Mark Leposky**, Carlsbad, CA (US); **Kurt A. Roller**, Carlsbad, CA (US); **Gerardo Sagaon**, Escobedo Nuevo Leon (MX); **Norman Smith**, Oceanside, CA (US)
(73) Assignee: **Callaway Golf Company**, Carlsbad, CA (US)
(**) Term: **15 Years**
(21) Appl. No.: **29/685,237**
(22) Filed: **Mar. 27, 2019**
(51) **LOC (12) Cl.** **21-02**
(52) **U.S. Cl.**
USPC **D21/794**
(58) **Field of Classification Search**
USPC D21/789, 793, 794
CPC A63B 57/353; A63B 57/207; A63B 57/00; A63B 57/30; A63B 57/35; A63B 57/50
See application file for complete search history.

D630,284 S * 1/2011 Desrosiers D21/794
D642,231 S * 7/2011 Johnson D21/794
D704,291 S * 5/2014 Snyder D21/794
D710,473 S * 8/2014 Kragerud D21/794
D721,152 S * 1/2015 Kokoska D21/794
D726,271 S * 4/2015 Sheldon D21/794
D802,694 S * 11/2017 Kragerud D21/794
D803,337 S * 11/2017 Kragerud D21/794
D816,178 S * 4/2018 Goserud D21/794
D832,962 S * 11/2018 Cameron D21/794
D834,125 S * 11/2018 Cameron D21/794
D849,863 S * 5/2019 Kragerud D21/794
D859,556 S * 9/2019 Kumpis D21/794
D872,817 S * 1/2020 Peterson D21/794
D875,866 S * 2/2020 McIlvain D21/793
2009/0305817 A1 * 12/2009 Cameron A63B 59/50
473/406
2009/0305818 A1 * 12/2009 Cameron A63B 57/207
473/406

* cited by examiner

Primary Examiner — Mitchell I. Siegel
(74) *Attorney, Agent, or Firm* — Rebecca Hanovice; Michael Catania; Sonia Lari

(57) **CLAIM**

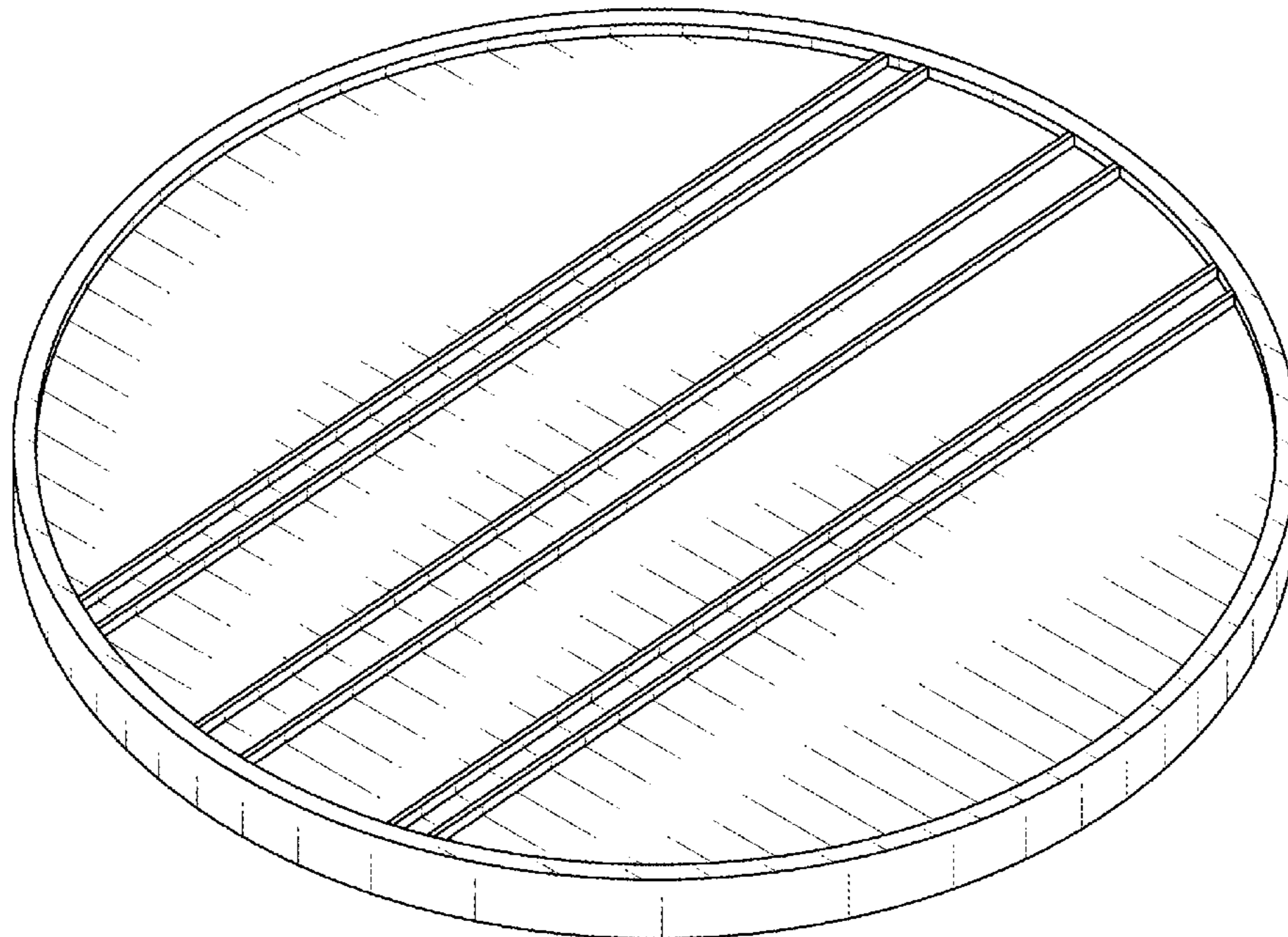
The ornamental design for a ball marker, as shown and described.

DESCRIPTION

FIG. 1 is a top perspective view of the ball marker claimed herein;
FIG. 2 is a side elevational view thereof;
FIG. 3 is a front elevational view thereof; and,
FIG. 4 is a rear elevational view thereof.
The broken lines in the figures show portions of the ball marker that form no part of the claimed design.

1 Claim, 3 Drawing Sheets

(56) **References Cited**
U.S. PATENT DOCUMENTS
D198,037 S * 4/1964 Thayer D21/794
D350,179 S * 8/1994 Johnson D21/794
5,437,446 A * 8/1995 Youngkin A63B 69/3676
473/409
D445,160 S * 7/2001 Hueber D21/794
D540,902 S * 4/2007 Regalado D21/794
D583,893 S * 12/2008 Ruff D21/794
D616,953 S * 6/2010 Shinki D21/794



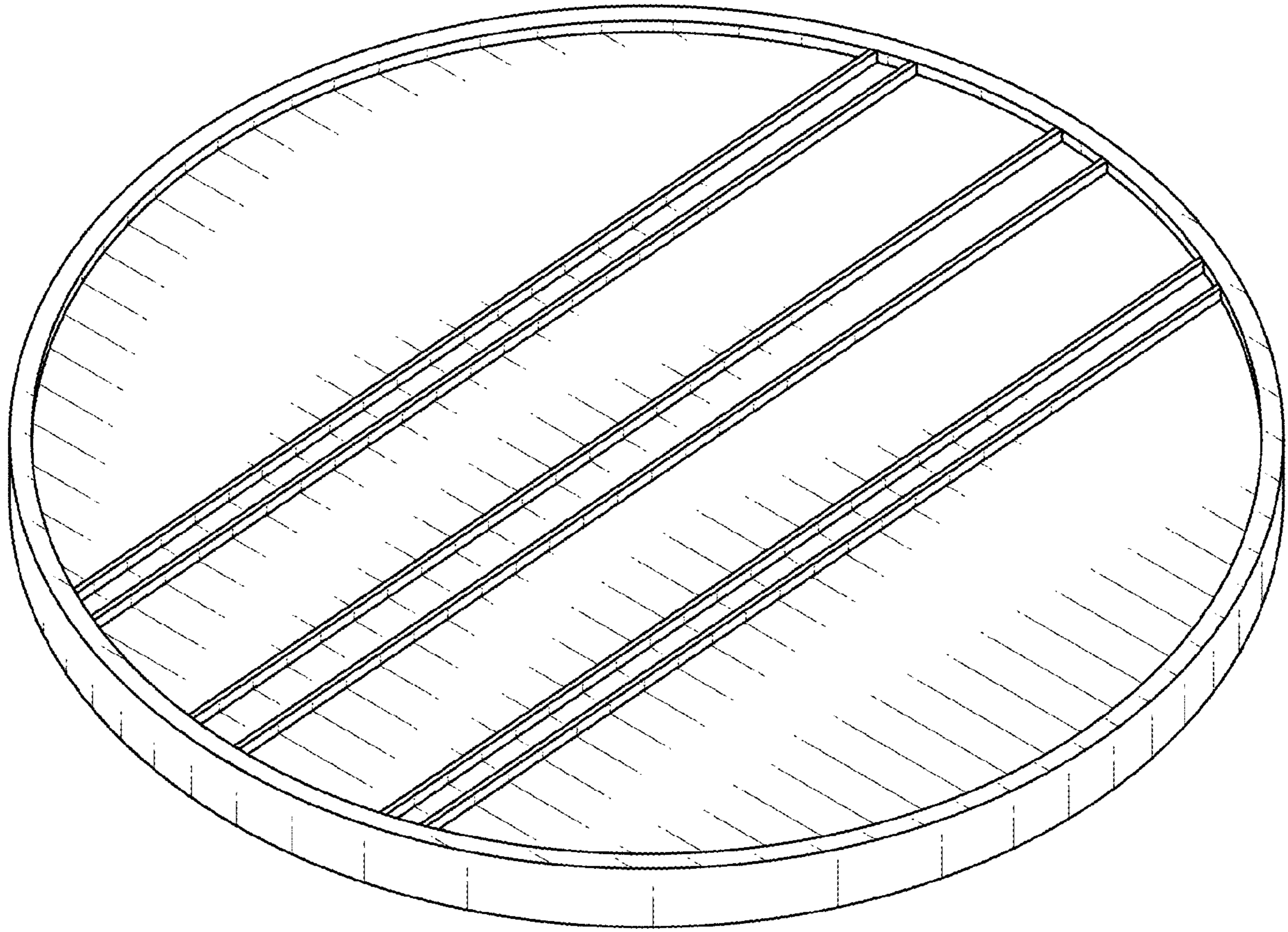


FIG. 1

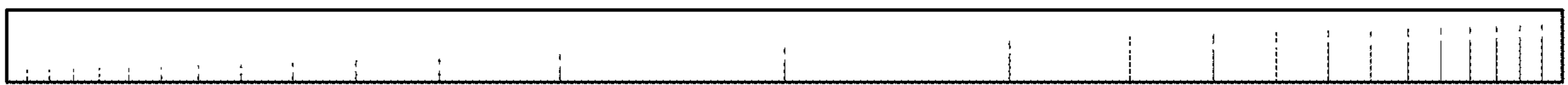


FIG. 2

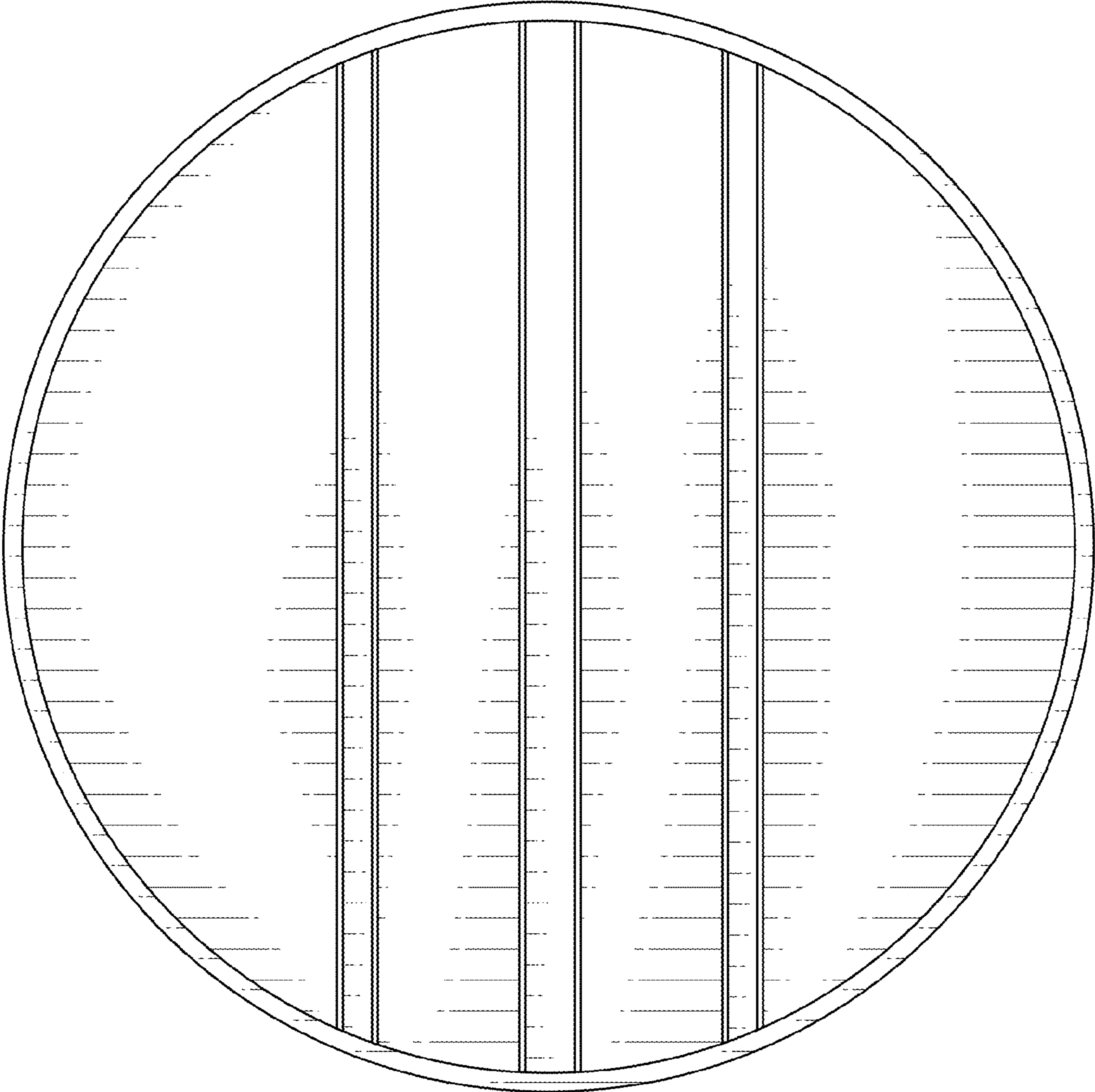


FIG. 3

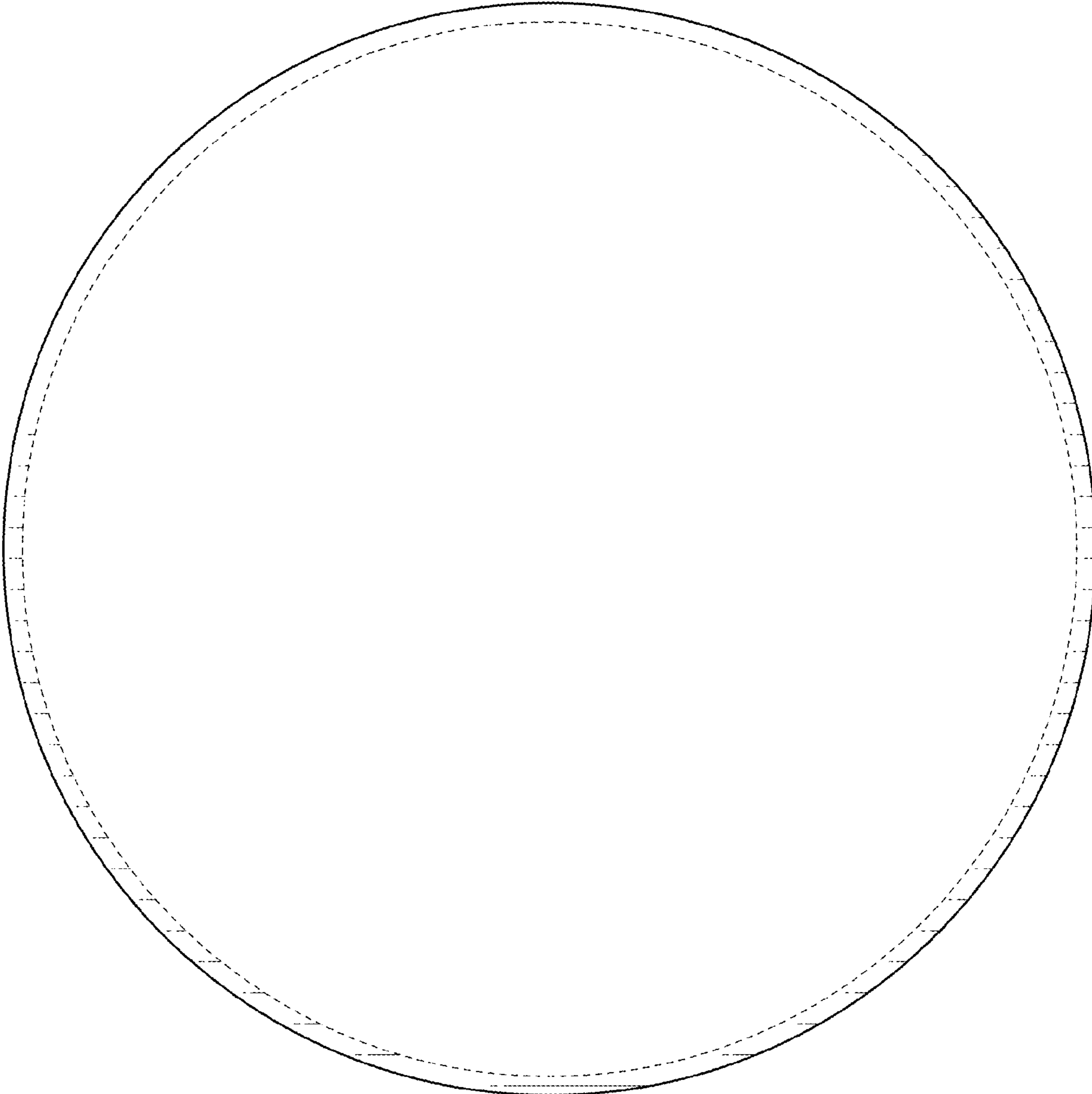


FIG. 4