



US00D895751S

(12) **United States Design Patent** (10) **Patent No.:** **US D895,751 S**
Seagram et al. (45) **Date of Patent:** **** Sep. 8, 2020**

(54) **GOLD CLUB HEAD**
(71) Applicant: **SUMITOMO RUBBER INDUSTRIES, LTD.**, Kobe-shi, Hyogo (JP)
(72) Inventors: **Phillip C. Seagram**, Boston, MA (US); **Darius Cyrulik**, Alhambra, CA (US); **Alexandra Agrella**, Huntington Beach, CA (US)

(73) Assignee: **SUMITOMO RUBBER INDUSTRIES, LTD.**, Kobe (JP)

(**) Term: **15 Years**

(21) Appl. No.: **29/690,323**

(22) Filed: **May 7, 2019**

(51) **LOC (12) Cl.** **21-02**

(52) **U.S. Cl.**
USPC **D21/759**

(58) **Field of Classification Search**
USPC D21/747-751, 759
CPC A63B 53/00; A63B 53/02; A63B 53/04; A63B 53/047; A63B 53/0475; A63B 2053/0479; A63B 2053/0483; A63B 2053/0445; A63B 60/00; A63B 60/46
See application file for complete search history.

(56) **References Cited**

U.S. PATENT DOCUMENTS

D327,720 S * 7/1992 Antonious D21/748
D328,116 S * 7/1992 Antonious D21/748

D428,634 S * 7/2000 Nagai D21/759
D466,961 S * 12/2002 Nagai D21/759
D512,474 S * 12/2005 Madore D21/759
D516,152 S * 2/2006 Madore D21/759
D815,705 S * 4/2018 Dolezel D21/749
D815,707 S * 4/2018 Dolezel D21/759
D823,957 S * 7/2018 Becktor D21/747
D833,549 S * 11/2018 Dolezel D21/747
D833,551 S * 11/2018 Dolezel D21/759
D833,553 S * 11/2018 Dolezel D21/759

* cited by examiner

Primary Examiner — Mitchell I. Siegel

(74) *Attorney, Agent, or Firm* — Oliff PLC

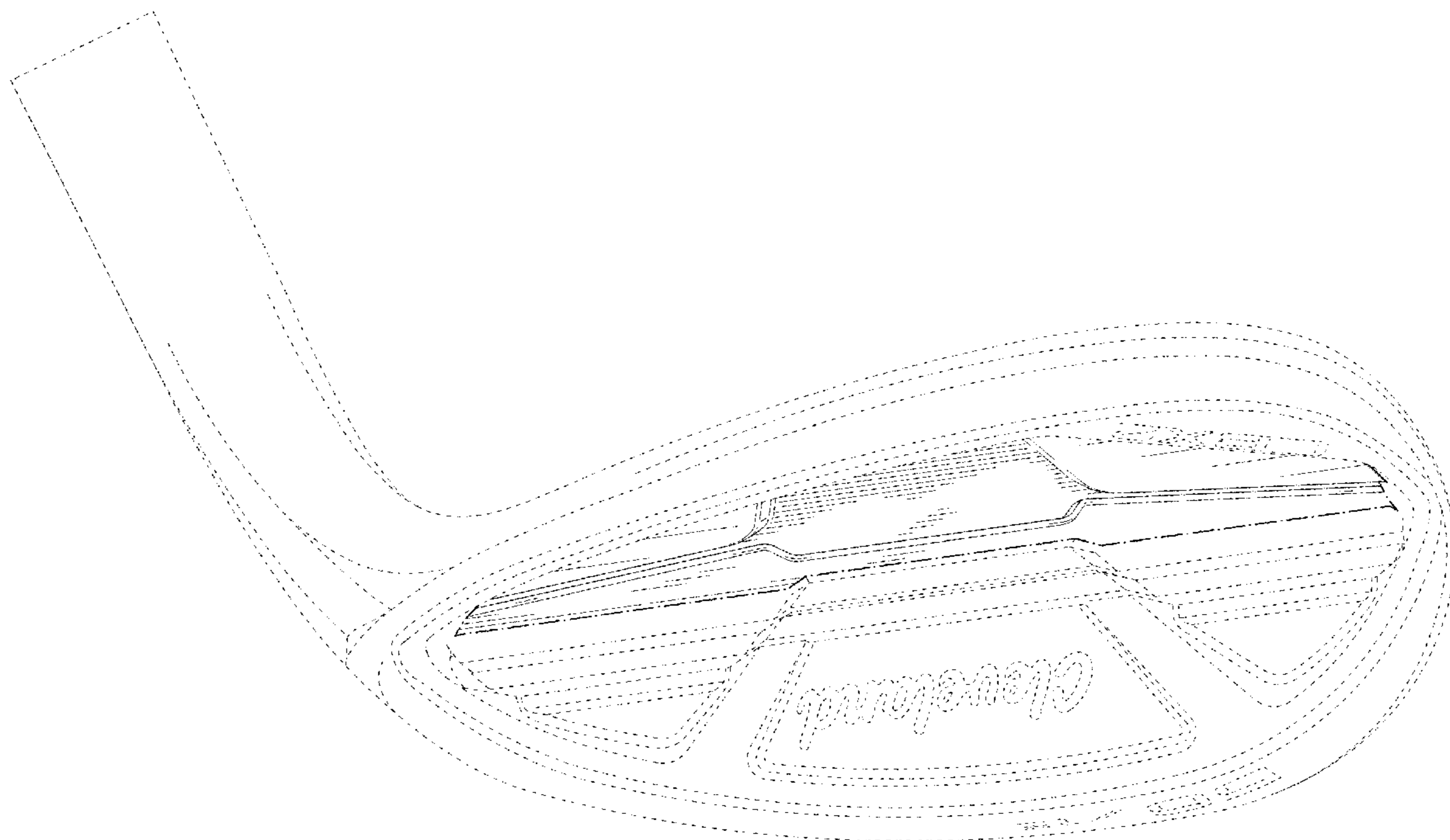
(57) **CLAIM**

The ornamental design for a golf club head, as shown and described.

DESCRIPTION

FIG. 1 is a rear, heel-side perspective view of the golf club head;
FIG. 2 is a rear elevational view thereof;
FIG. 3 is a top plan view thereof;
FIG. 4 is a heel-side elevational view thereof;
FIG. 5 is a toe-side elevational view thereof;
FIG. 6 is a front elevational view thereof;
FIG. 7 is a bottom plan view thereof; and,
FIG. 8 is a rear, toe-side perspective view thereof.
The dot-dash lines depict boundaries of the claimed subject matter and form no part of the claimed design. The broken lines depict parts of the golf club head that form no part of the claimed design.

1 Claim, 8 Drawing Sheets



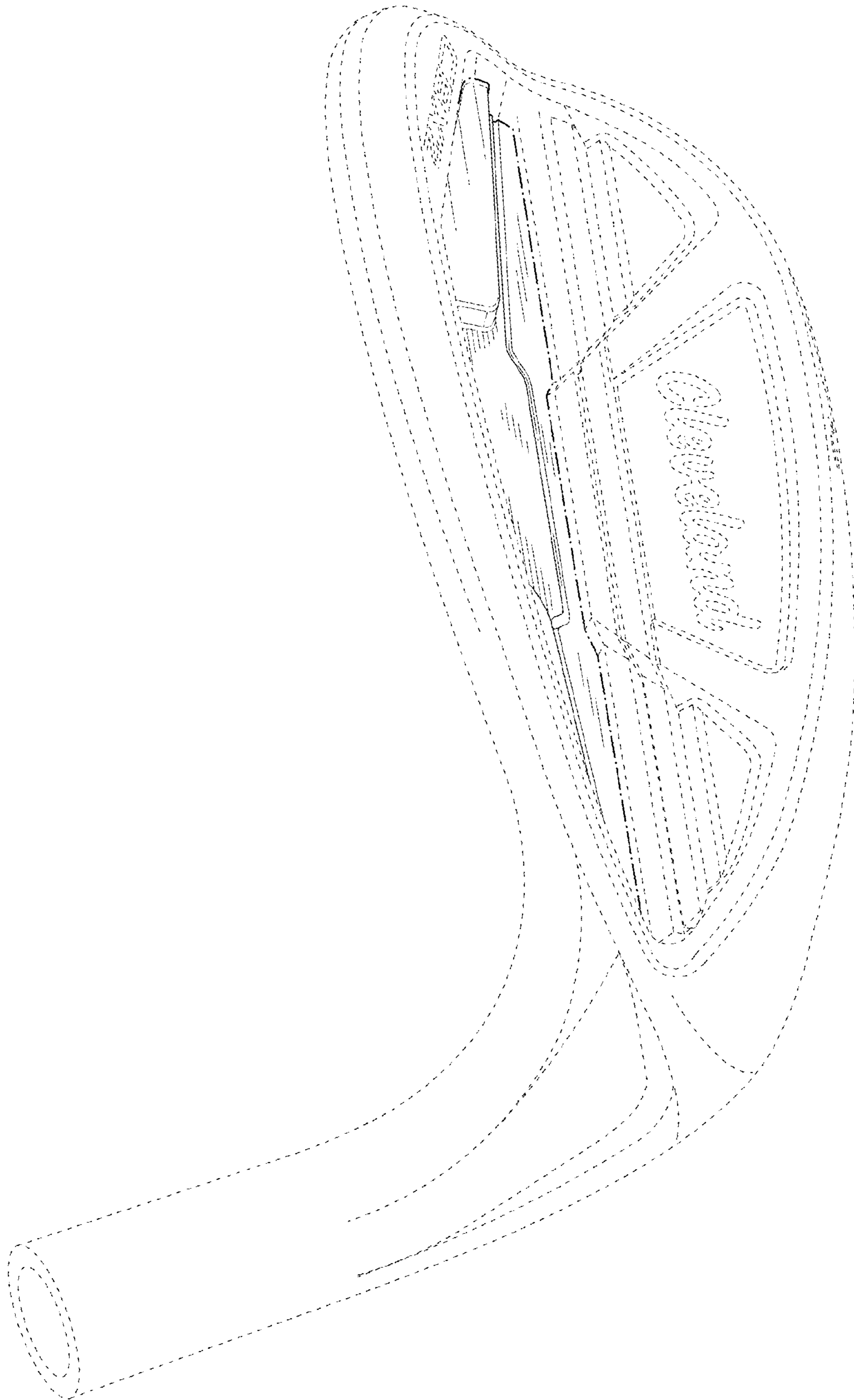


FIG. 1

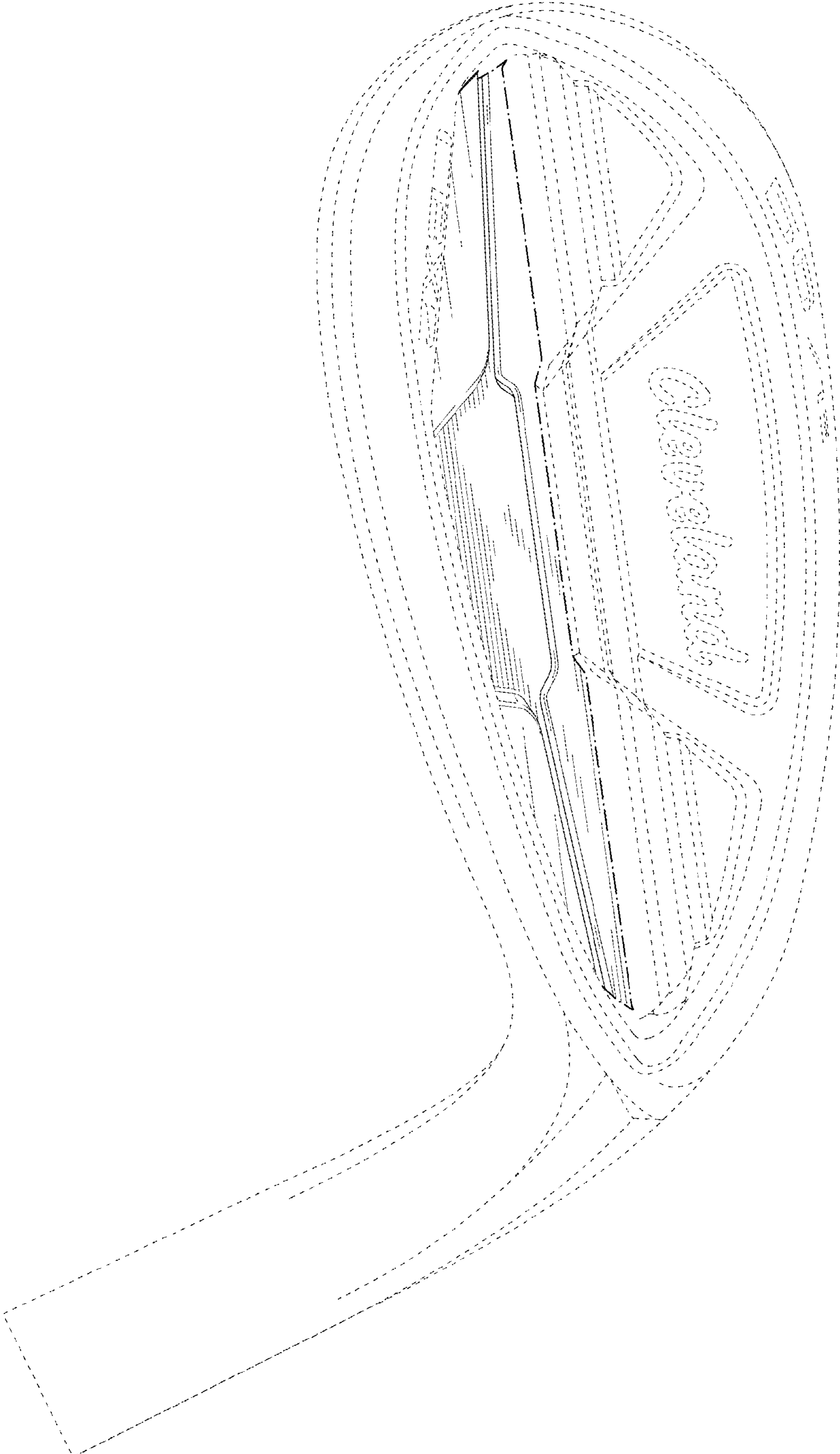


FIG. 2

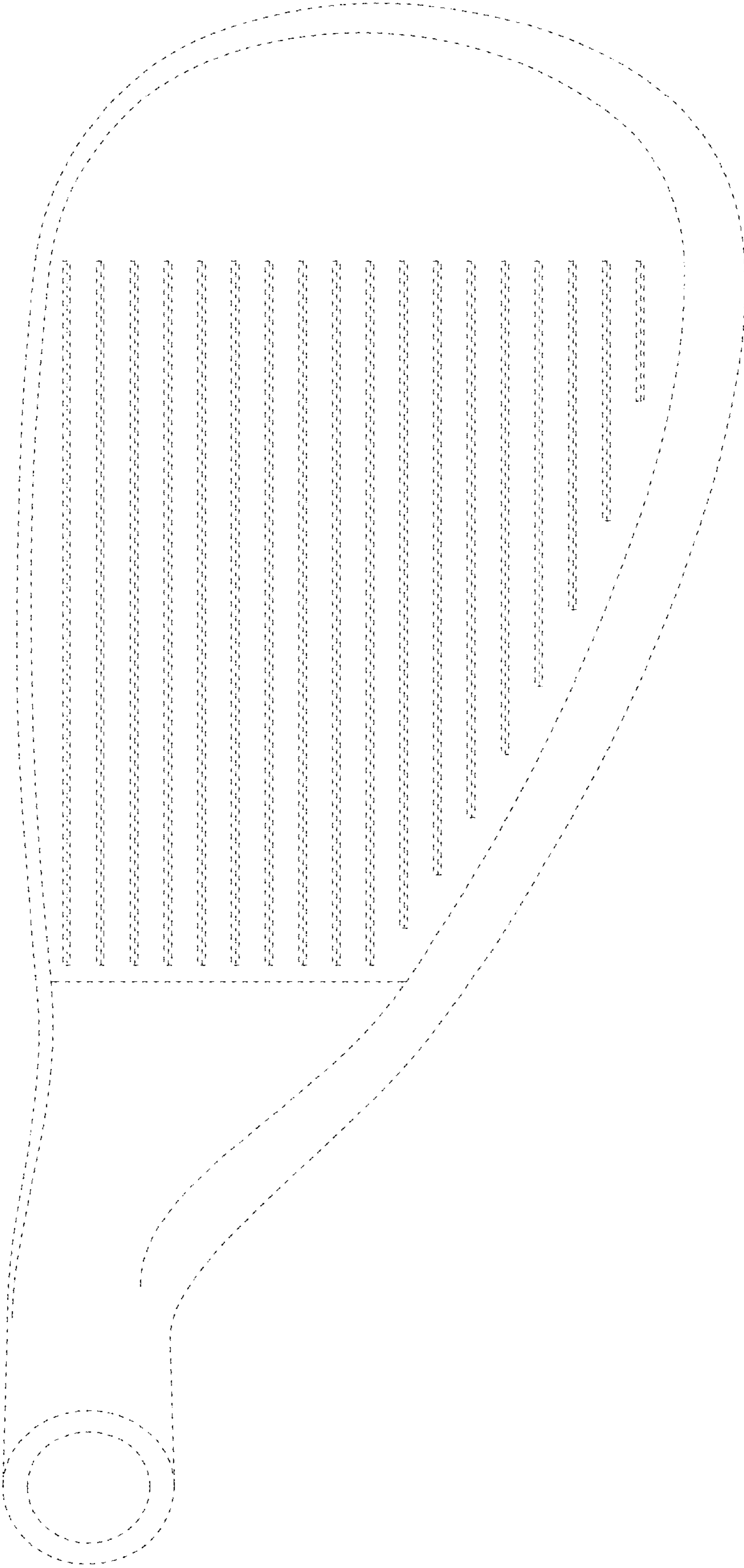


FIG. 3

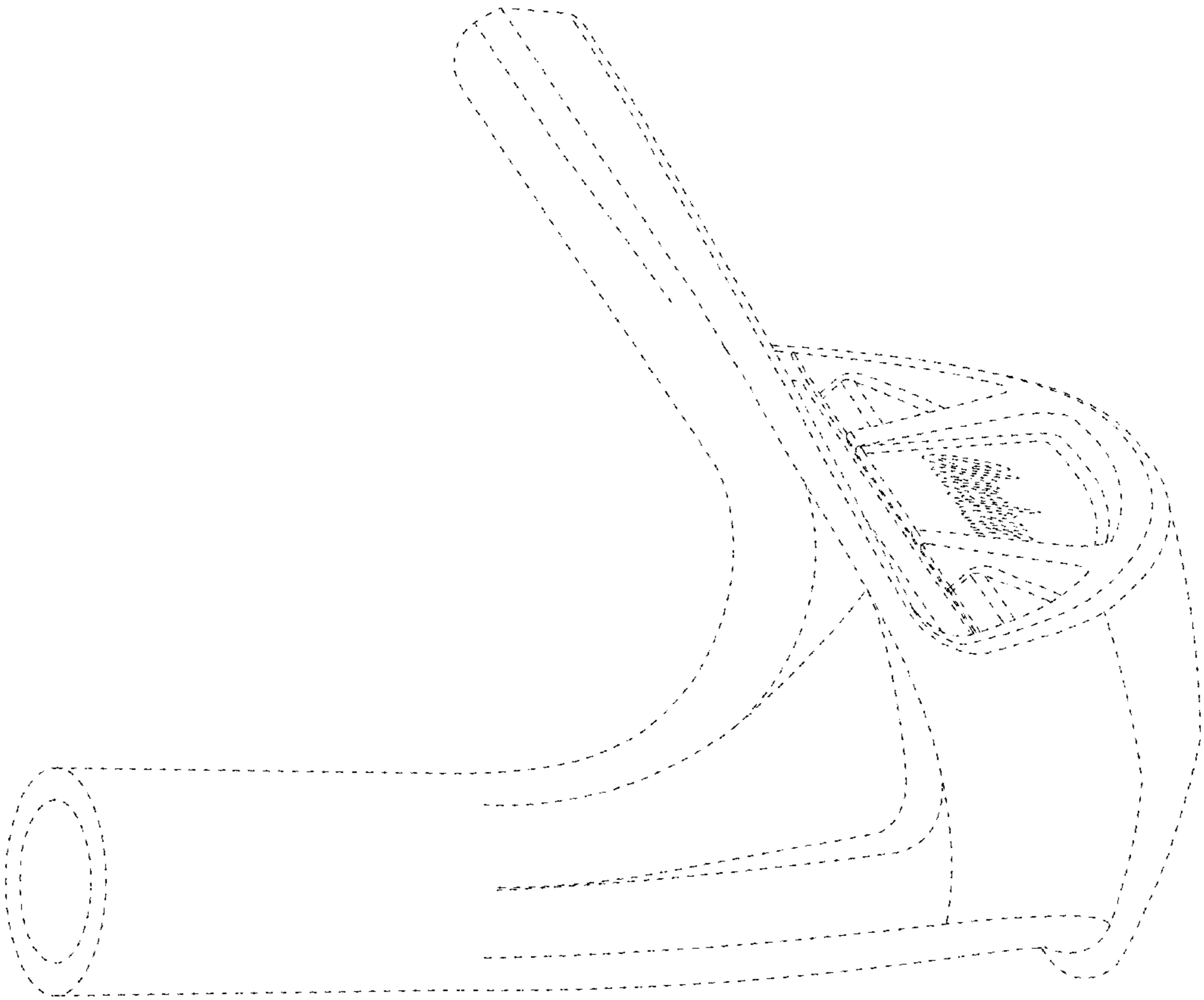


FIG. 4

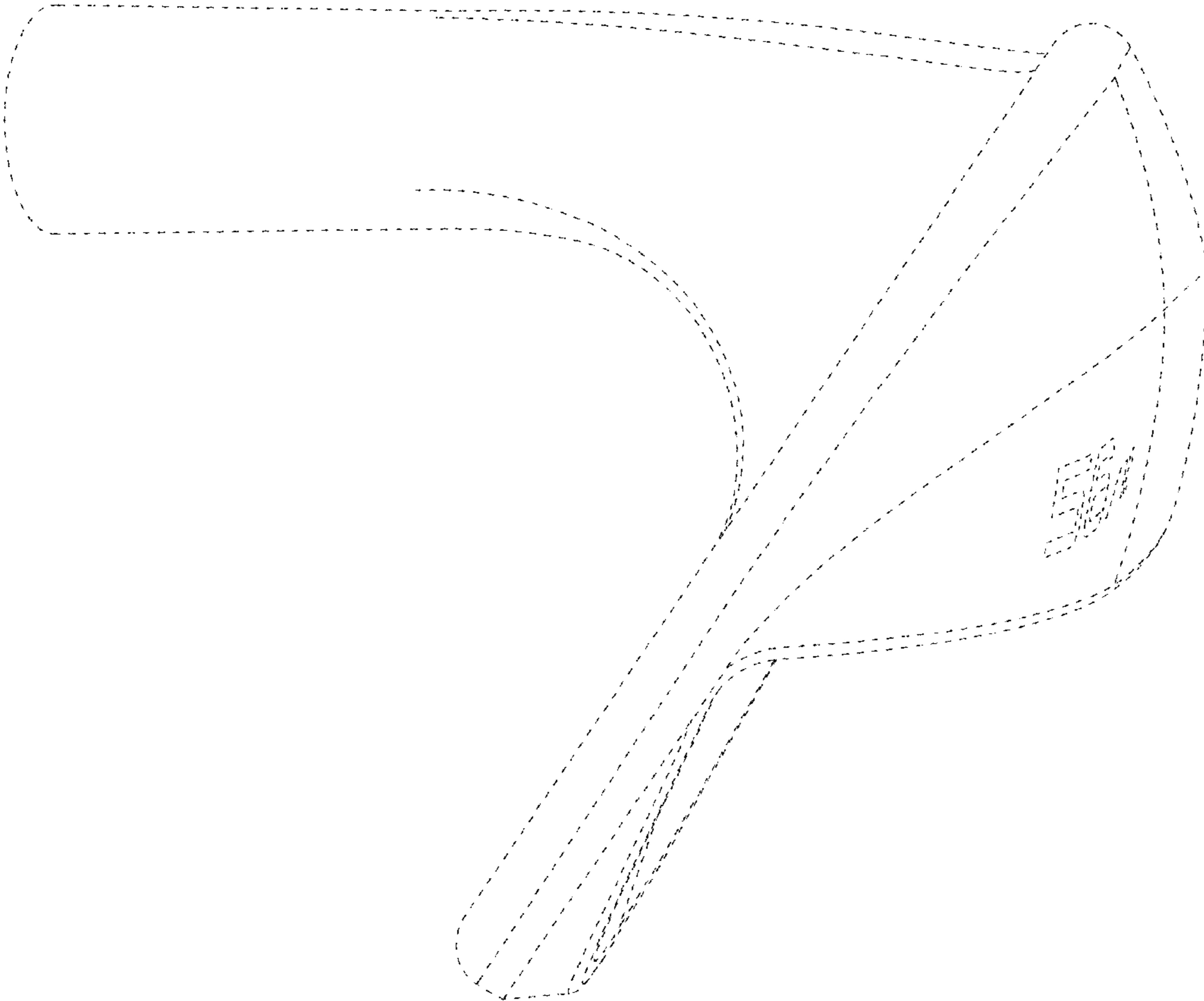


FIG. 5

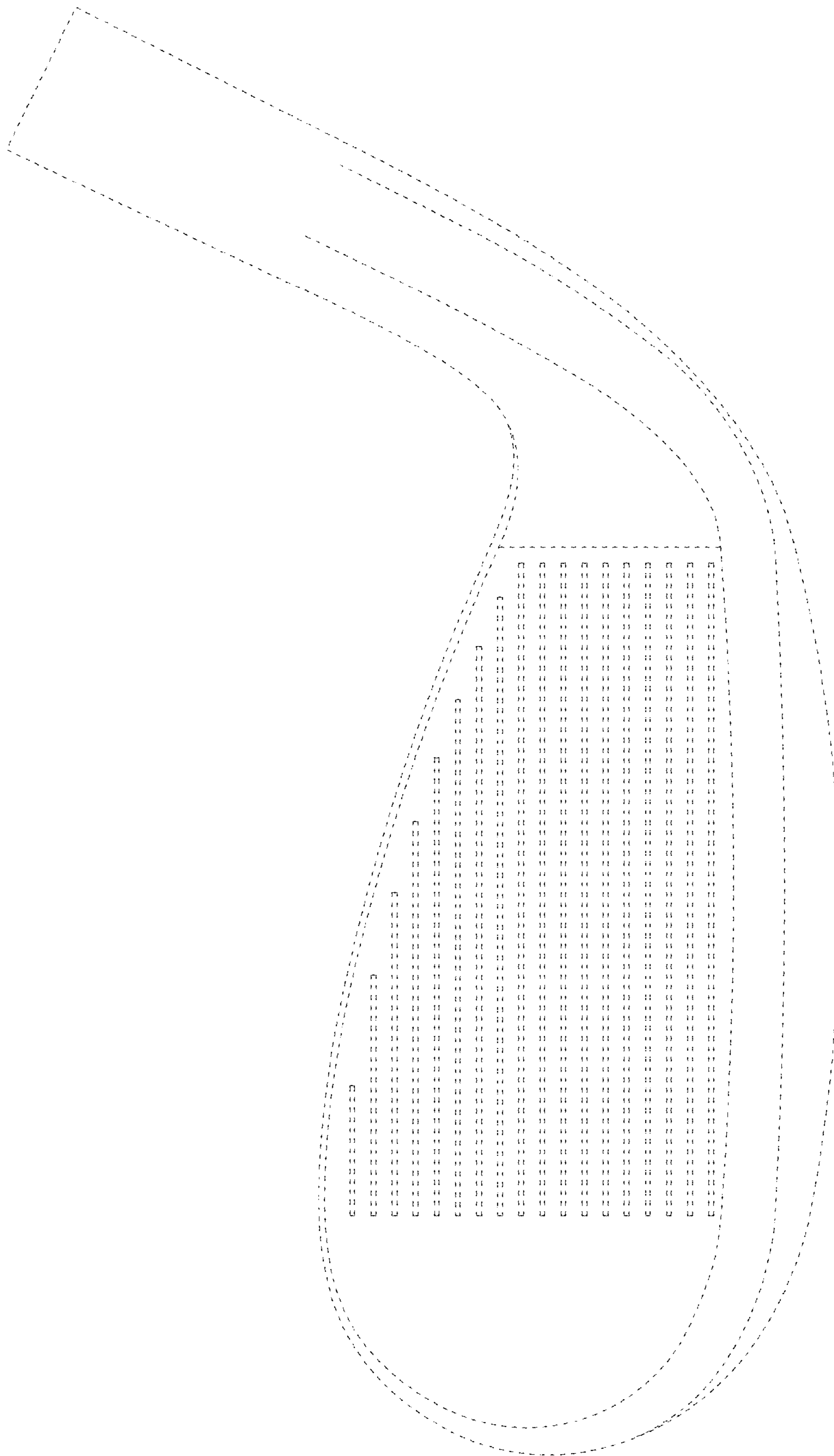


FIG. 6

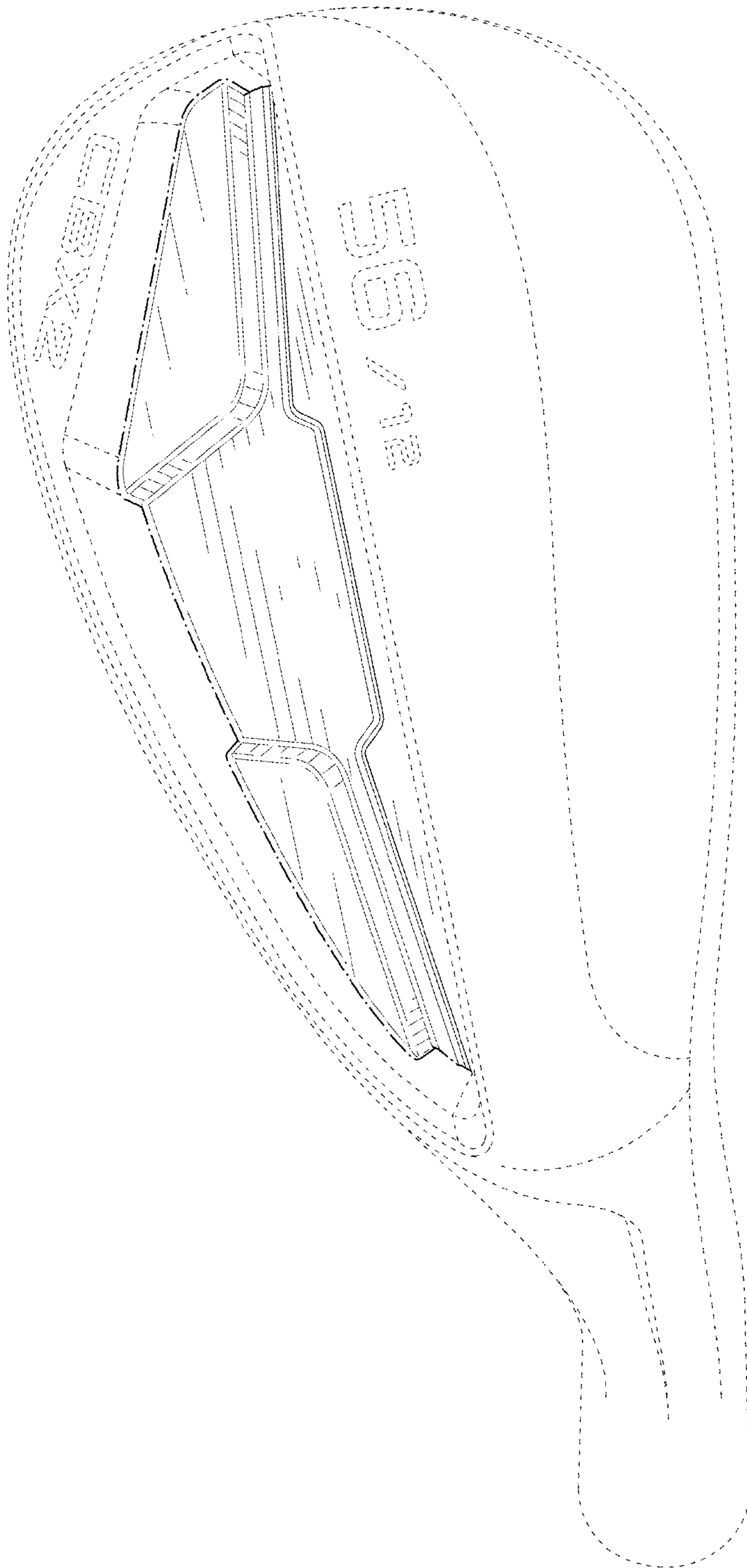


FIG. 7

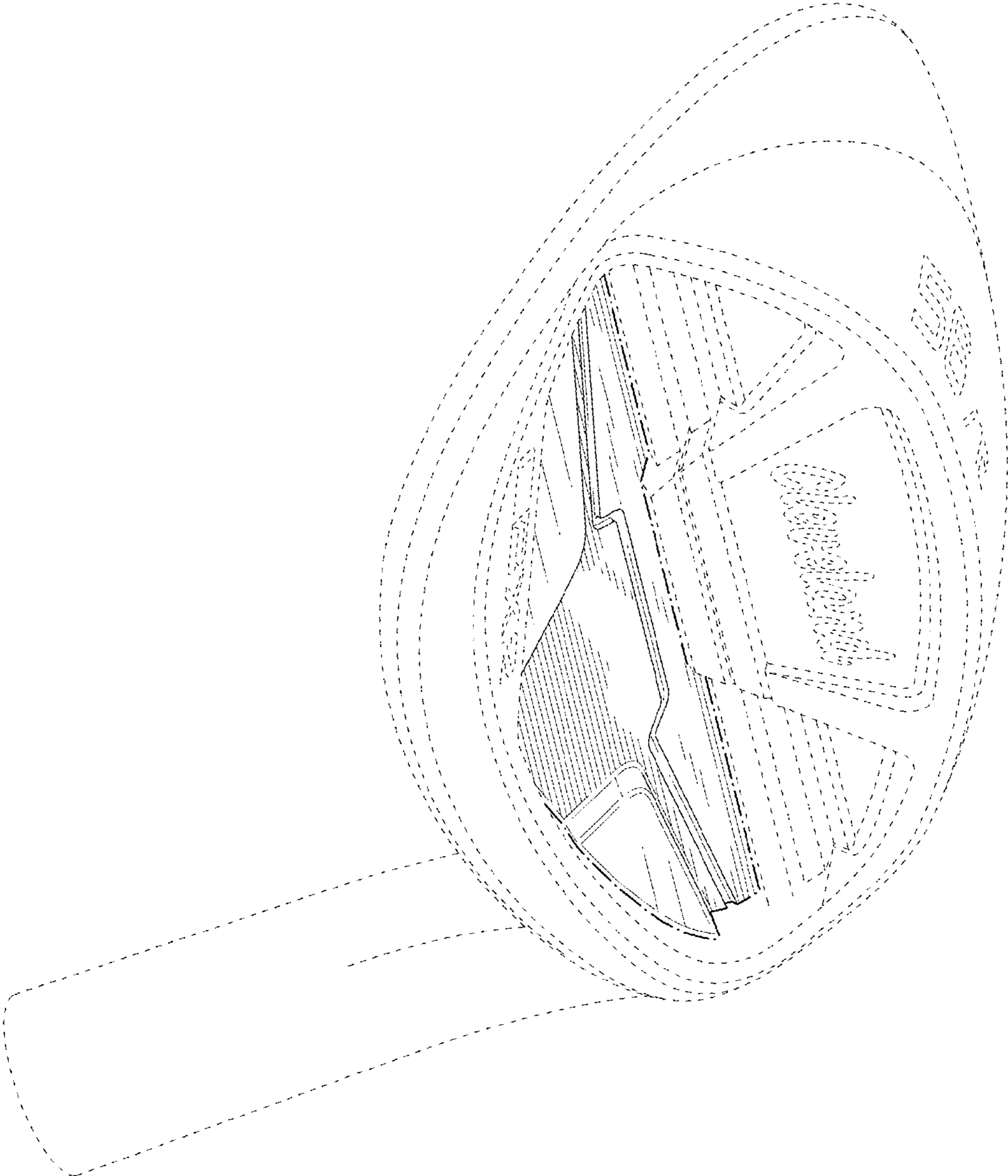


FIG. 8