

US00D895748S

(12) **United States Design Patent** (10) **Patent No.:** **US D895,748 S**  
**Rollinson et al.** (45) **Date of Patent:** **\*\* Sep. 8, 2020**

(54) **PUTTER HEAD**

(71) Applicant: **Callaway Golf Company**, Carlsbad, CA (US)  
(72) Inventors: **Augustin W. Rollinson**, Solana Beach, CA (US); **Sean Toulon**, Vista, CA (US)  
(73) Assignee: **Callaway Golf Company**, Carlsbad, CA (US)

(\*\*) Term: **15 Years**

(21) Appl. No.: **29/694,095**

(22) Filed: **Jun. 7, 2019**

(51) **LOC (12) Cl.** ..... **21-02**

(52) **U.S. Cl.**  
USPC ..... **D21/743**

(58) **Field of Classification Search**  
USPC ..... D21/736-746, 759  
CPC ..... A63B 53/00; A63B 53/04; A63B 53/007;  
A63B 53/065; A63B 53/0487; A63B  
60/00; A63B 60/46  
See application file for complete search history.

(56) **References Cited**

**U.S. PATENT DOCUMENTS**

D532,845 S	*	11/2006	Rollinson	.....	D21/736
D573,673 S	*	7/2008	Noyes	.....	D21/721
D574,908 S	*	8/2008	Hettinger	.....	D21/743
D582,497 S	*	12/2008	Rollinson	.....	D21/744
D591,807 S	*	5/2009	Rollinson	.....	D21/744
D688,341 S	*	8/2013	Rollinson	.....	D21/746
D691,226 S	*	10/2013	Hilton	.....	D21/746
D728,715 S	*	5/2015	Cameron	.....	D21/736
D773,573 S	*	12/2016	Abbott	.....	D21/744

D807,453 S	*	1/2018	Serrano	.....	D21/743
D812,164 S	*	3/2018	Parsons	.....	D21/742
D813,963 S	*	3/2018	Lapuz	.....	D21/742
D815,222 S	*	4/2018	Serrano	.....	D21/743
D815,703 S	*	4/2018	Schweigert	.....	D21/736
D832,381 S	*	10/2018	Serrano	.....	D21/743
D844,722 S	*	4/2019	Wang	.....	D21/736
D855,132 S	*	7/2019	Schweigert	.....	D21/759
D860,356 S	*	9/2019	Rollinson	.....	D21/744
D865,885 S	*	11/2019	Long	.....	D21/736
D867,495 S	*	11/2019	Cameron	.....	D21/736
D867,497 S	*	11/2019	Broom	.....	D21/743
D867,498 S	*	11/2019	Broom	.....	D21/743
D882,006 S	*	4/2020	Serrano	.....	D21/736

\* cited by examiner

*Primary Examiner* — Mitchell I. Siegel  
(74) *Attorney, Agent, or Firm* — Rebecca Hanovice;  
Michael Catania; Sonia Lari

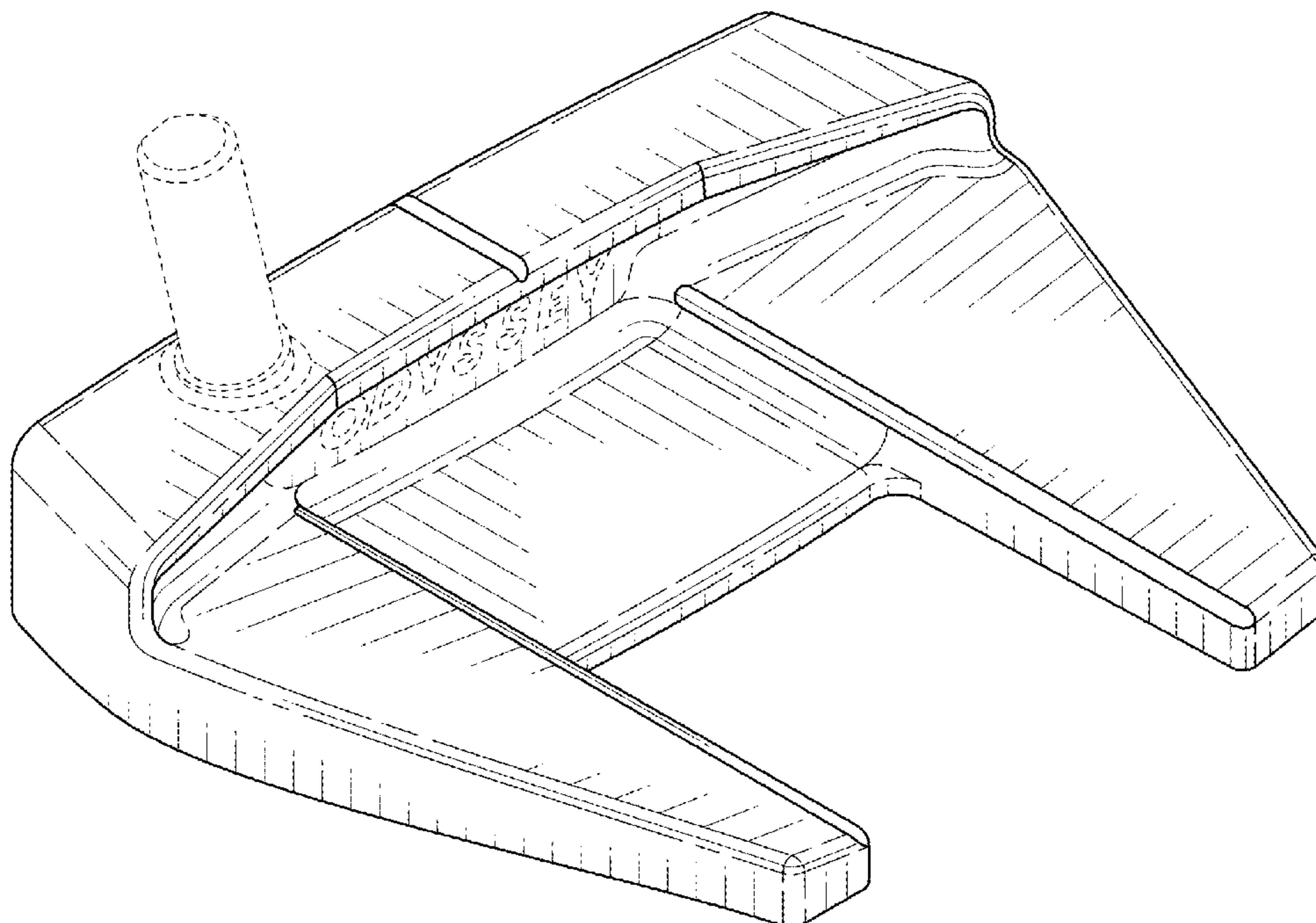
(57) **CLAIM**

The ornamental design for a putter head, as shown and described.

**DESCRIPTION**

FIG. 1 is a rear perspective view of the putter head claimed herein;  
FIG. 2 is a rear elevational view thereof;  
FIG. 3 is a front elevational view thereof;  
FIG. 4 is a right side plan view thereof;  
FIG. 5 is a left side plan view thereof;  
FIG. 6 is a top plan view thereof; and,  
FIG. 7 is a bottom plan view thereof.  
The broken lines in the figures show portions of putter head that form no part of the claimed design.

**1 Claim, 5 Drawing Sheets**



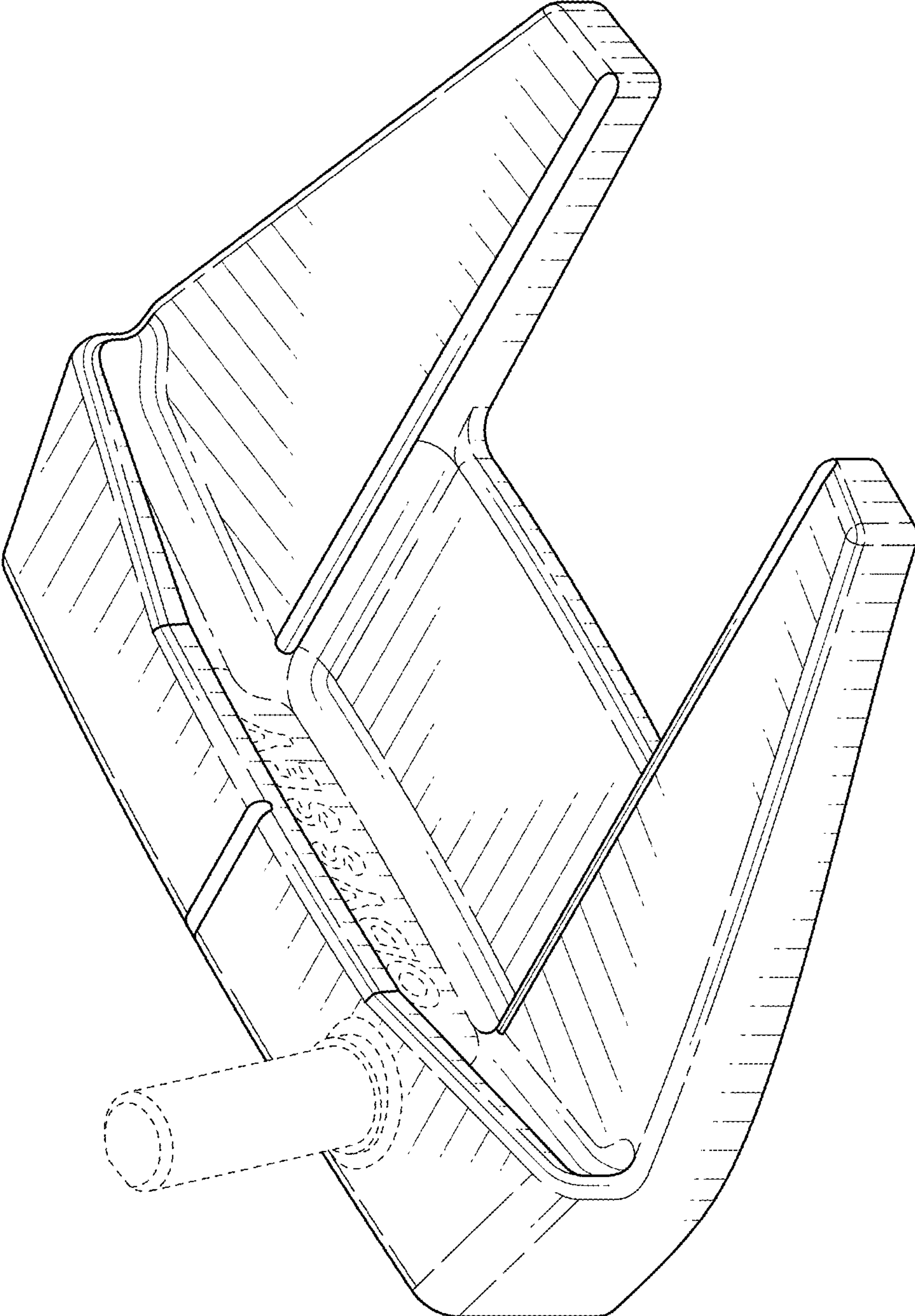


FIG. 1

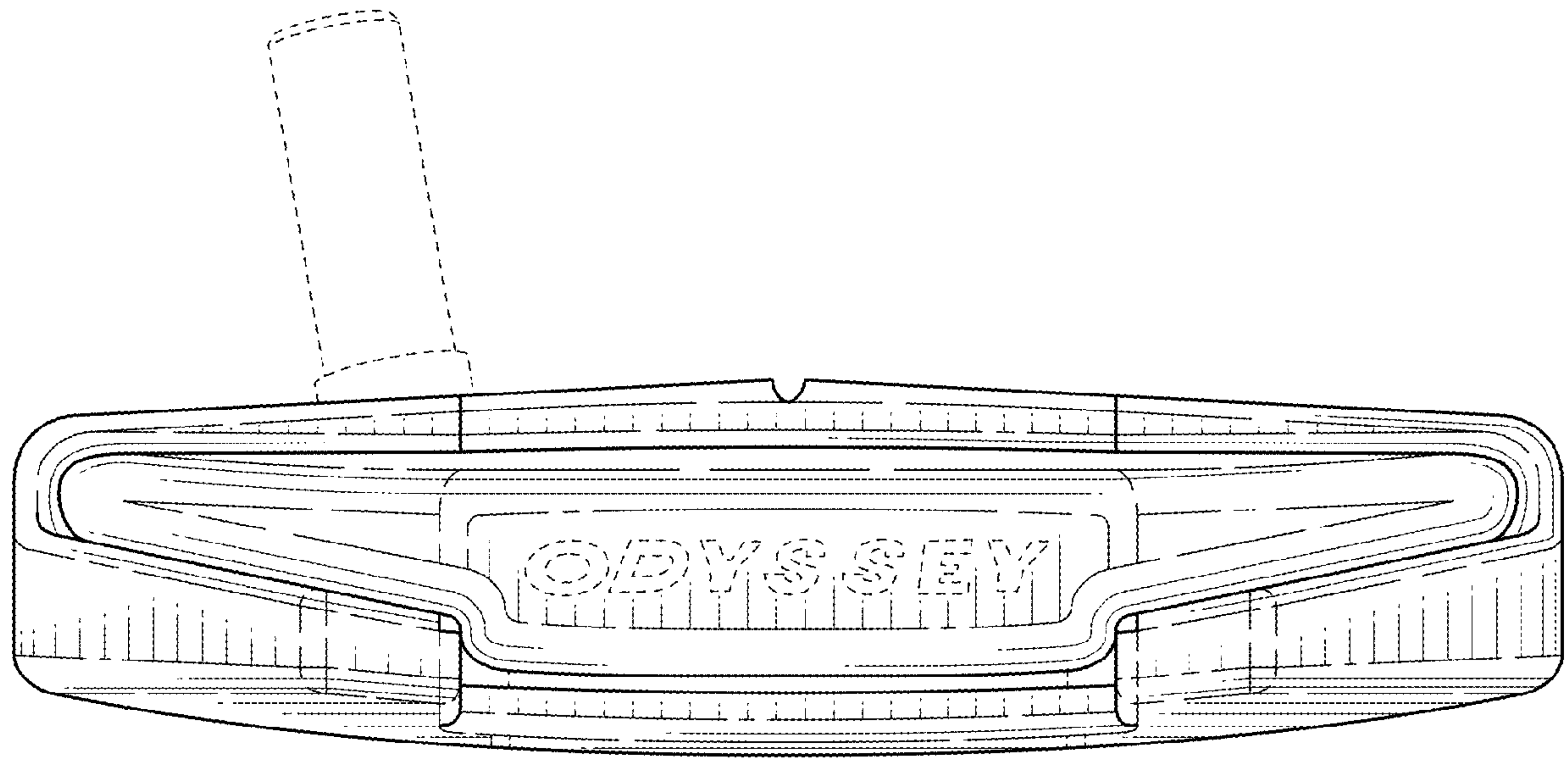


FIG. 2

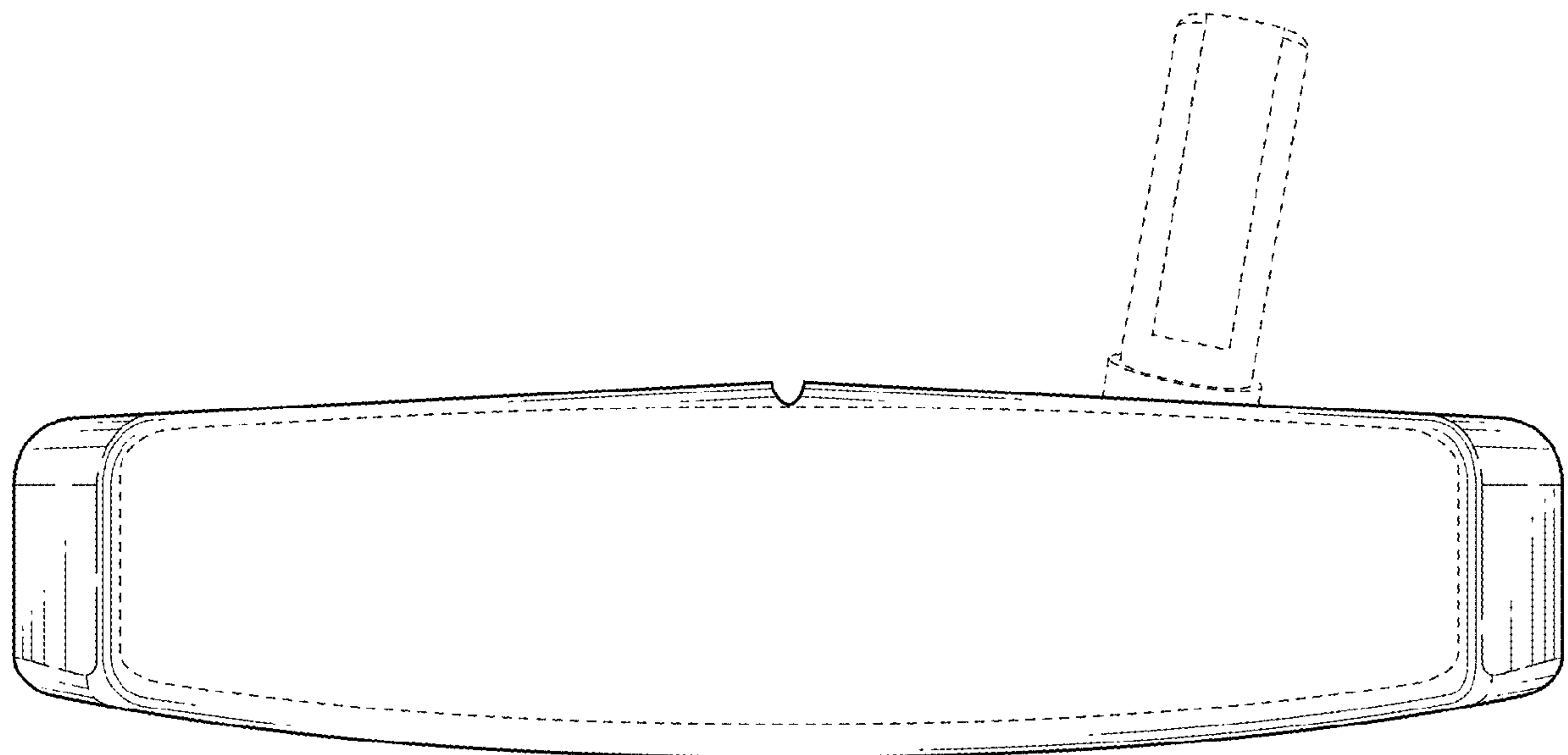


FIG. 3



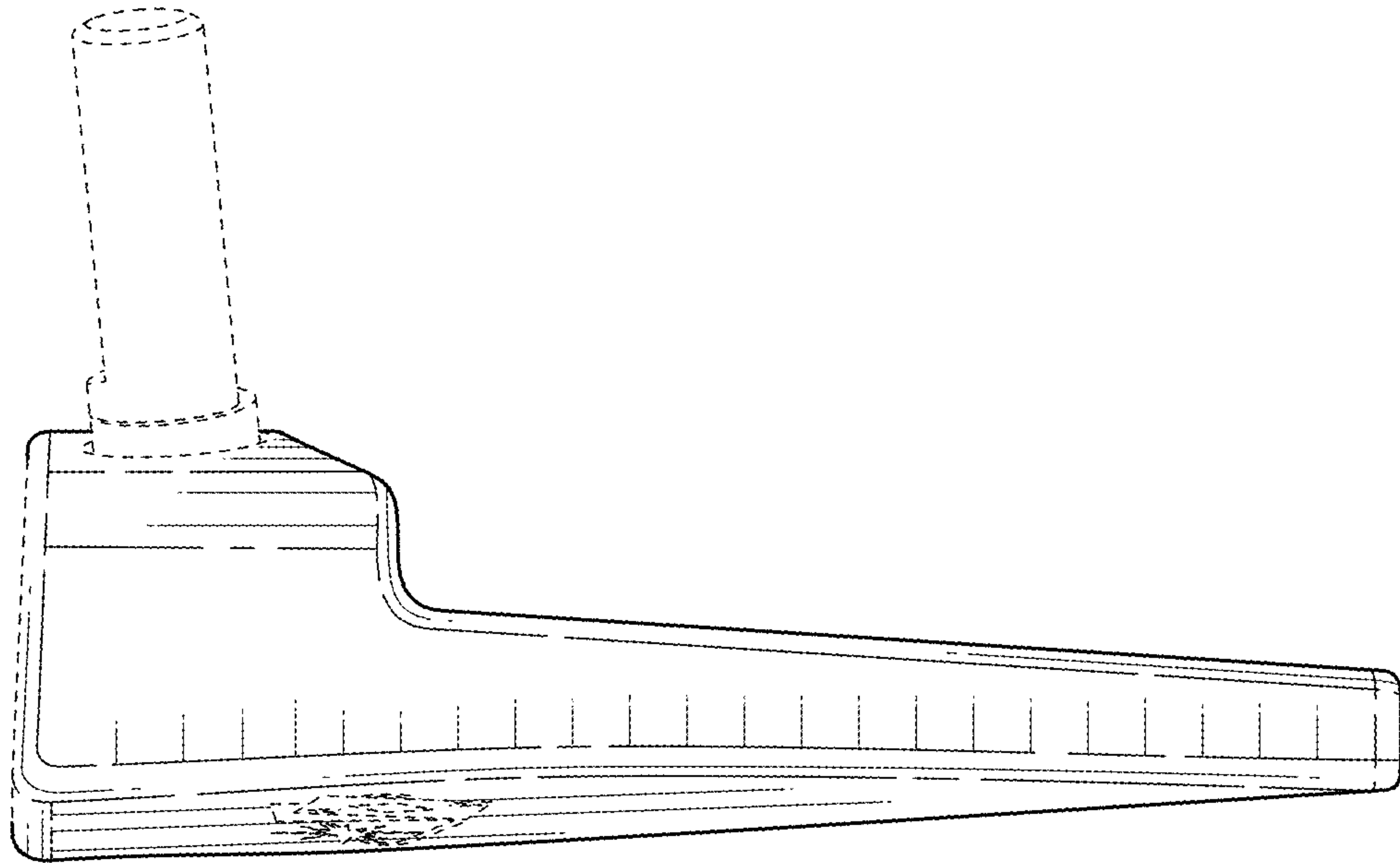


FIG. 4

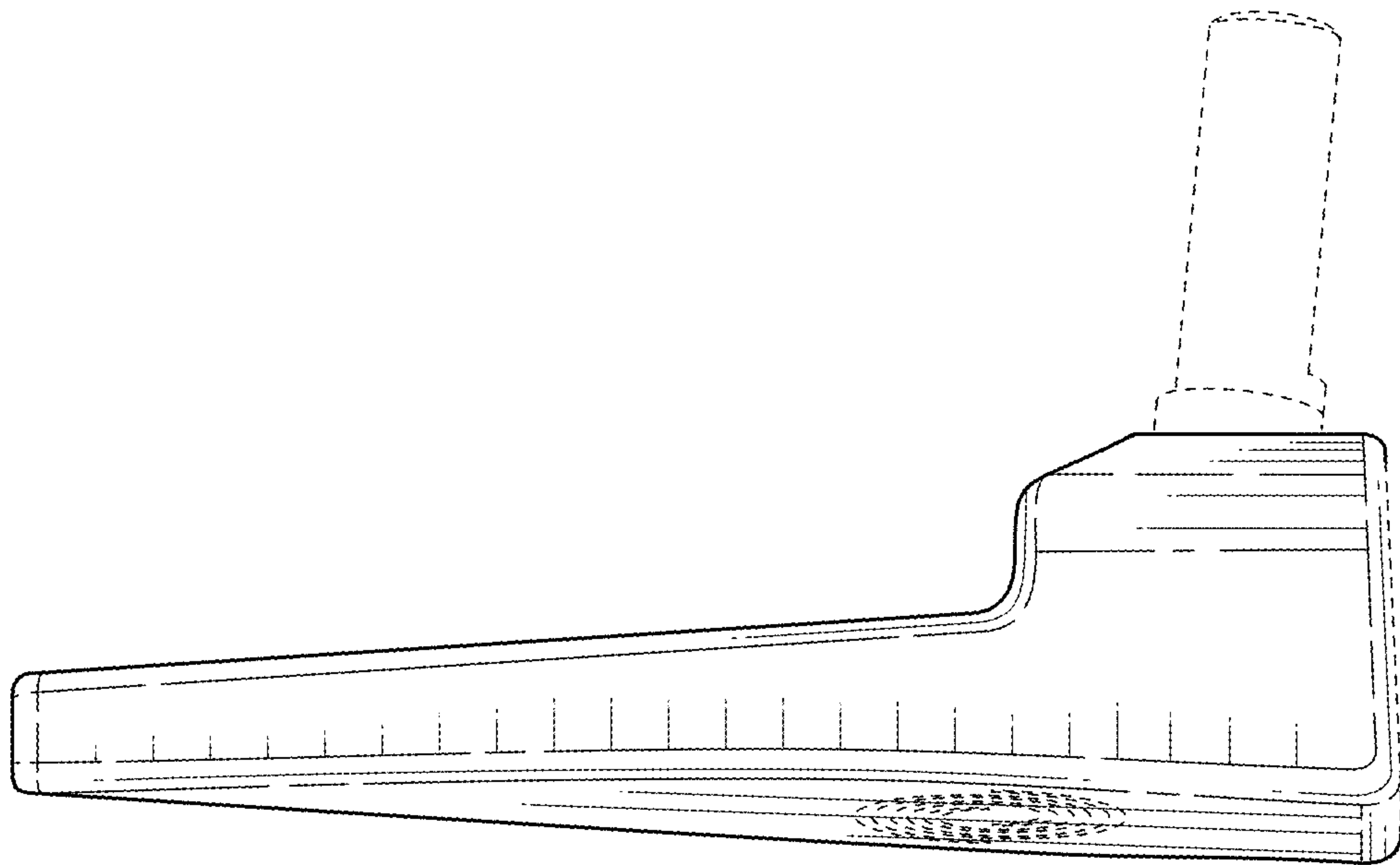


FIG. 5

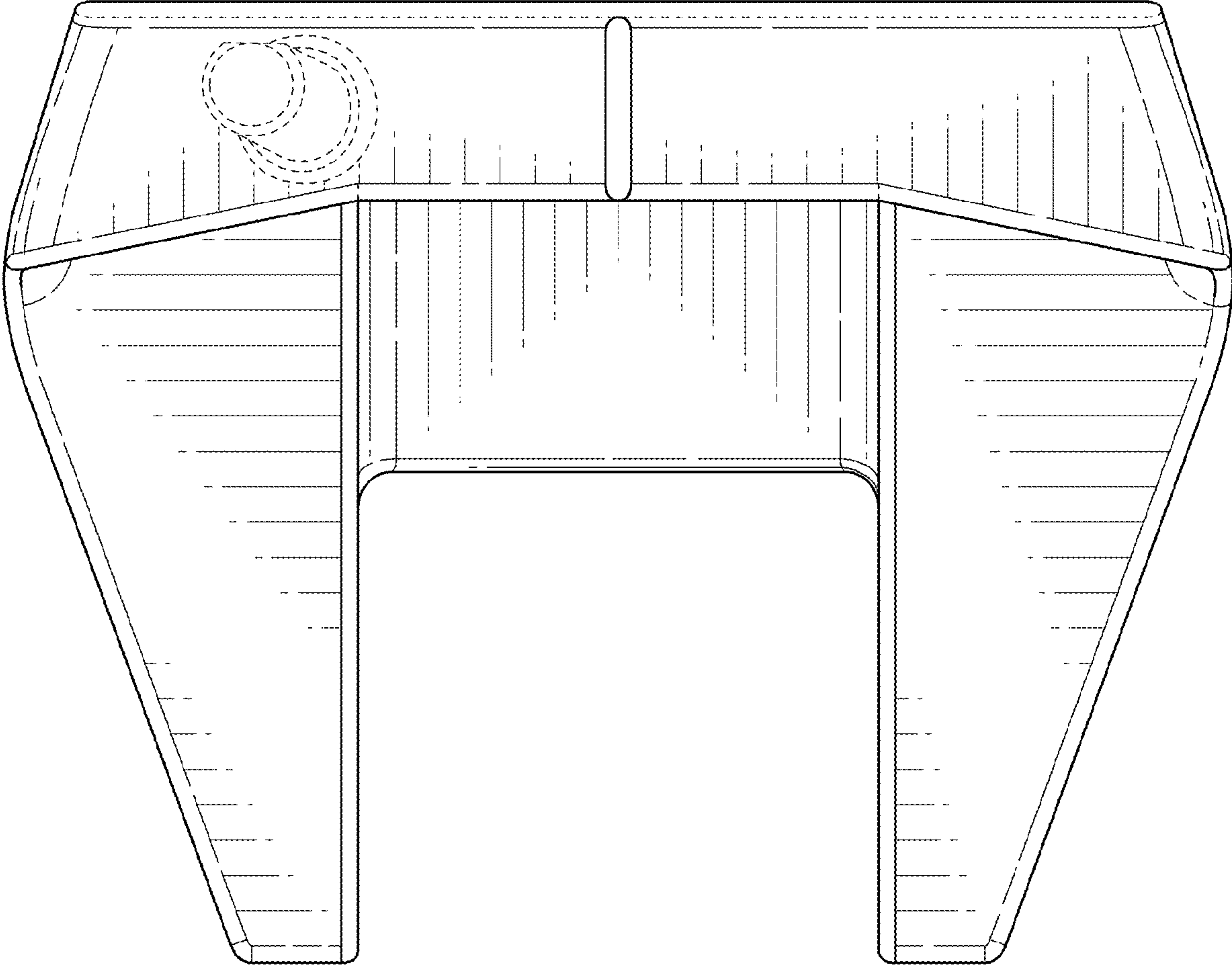


FIG. 6

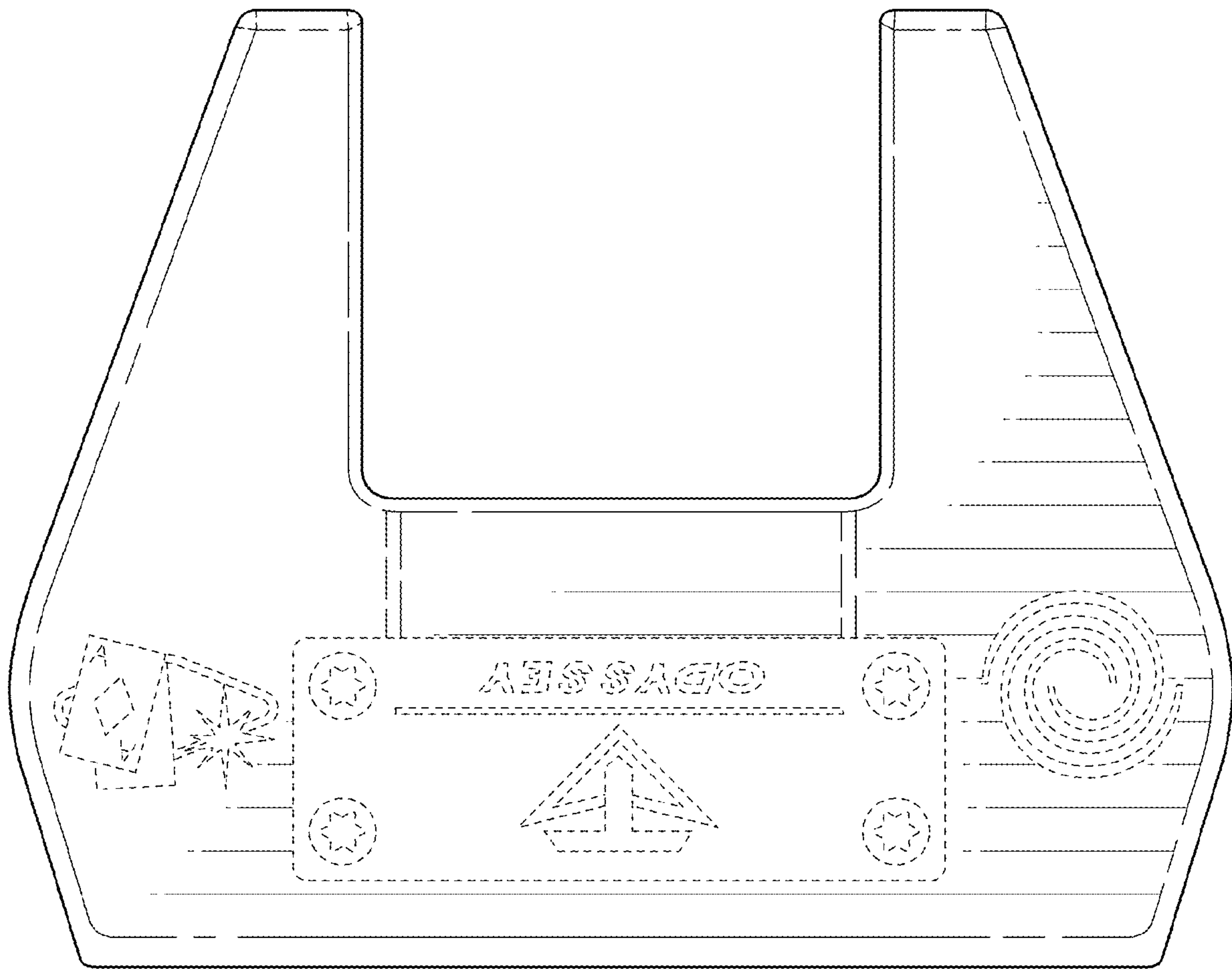


FIG. 7