



US00D895746S

(12) **United States Design Patent**  
**Williams et al.**

(10) **Patent No.:** **US D895,746 S**  
(45) **Date of Patent:** **\*\* Sep. 8, 2020**

- (54) **LACROSSE HEAD**
- (71) Applicant: **Cascade Maverik Lacrosse, LLC**,  
Exeter, NH (US)
- (72) Inventors: **David Williams**, Fulton, NY (US);  
**Nicholas Colville**, Syracuse, NY (US);  
**Michael Chmelik**, Manilus, NY (US);  
**David Winthrop Fream**, Newfields,  
NH (US)
- (73) Assignee: **Cascade Maverik Lacrosse, LLC**,  
Exeter, NH (US)
- (\*\*) Term: **15 Years**
- (21) Appl. No.: **29/678,427**
- (22) Filed: **Jan. 29, 2019**

**Related U.S. Application Data**

- (62) Division of application No. 29/605,097, filed on May 23, 2017, now Pat. No. Des. 843,528.
- (51) **LOC (12) Cl.** ..... **21-02**
- (52) **U.S. Cl.**  
USPC ..... **D21/724; D21/753**
- (58) **Field of Classification Search**  
USPC ..... D21/724, 753  
CPC ..... A63B 59/20; A63B 65/122; A63B 65/125;  
A63B 65/127; A63B 60/50; A63B 60/51;  
A63B 60/52; A63B 60/00; A63B 60/46  
See application file for complete search history.

(56) **References Cited**

**U.S. PATENT DOCUMENTS**

D273,601 S *	4/1984	Lewis, Jr.	.....	D21/724
D286,803 S *	11/1986	Brine, Jr.	.....	D21/724
D496,083 S *	9/2004	Kohler	.....	D21/724
D499,780 S *	12/2004	Kohler	.....	D21/724
6,902,501 B2 *	6/2005	Morrow	.....	A63B 59/30 473/513

7,390,275 B1 *	6/2008	Gait	.....	A63B 51/12 473/513
7,563,184 B2 *	7/2009	Morrow	.....	A63B 59/20 473/513
7,585,234 B2 *	9/2009	Reeb	.....	A63B 59/20 473/513
7,749,113 B2 *	7/2010	Morrow	.....	A63B 59/20 473/513
8,267,813 B2 *	9/2012	Vestuti	.....	A63B 59/20 473/513
8,267,814 B1 *	9/2012	Kohler	.....	A63B 59/20 473/513

(Continued)

*Primary Examiner* — Mitchell I. Siegel

(74) *Attorney, Agent, or Firm* — Wolf, Greenfield & Sacks, P.C.

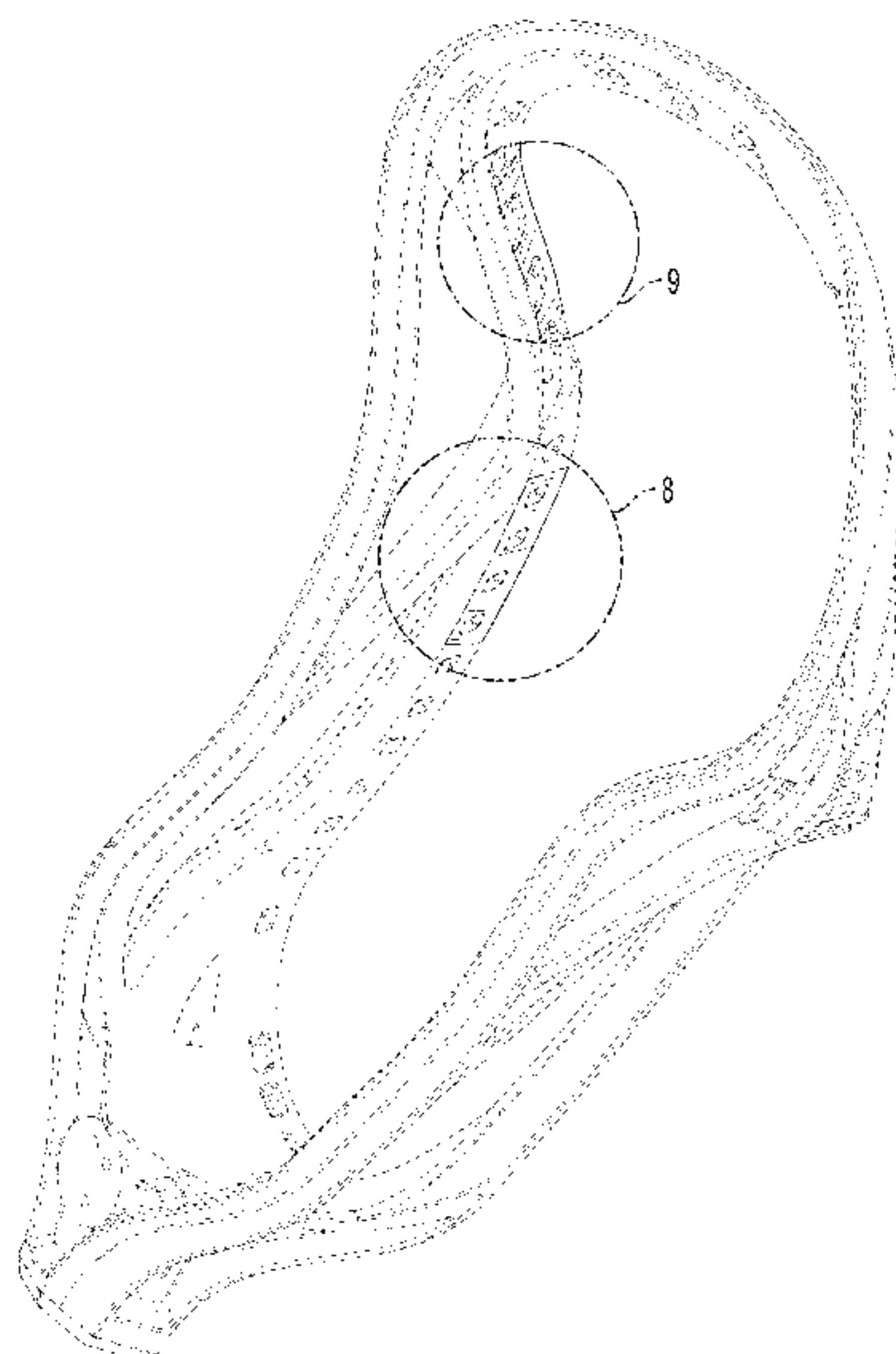
(57) **CLAIM**

The ornamental design for a lacrosse head, as shown and described.

**DESCRIPTION**

FIG. 1 is a top, front, right side perspective view of a LACROSSE HEAD showing a first embodiment our new design;  
 FIG. 2 is a front elevation view thereof;  
 FIG. 3 is a rear elevation view thereof;  
 FIG. 4 is a left side elevation view thereof;  
 FIG. 5 is a right side elevation view thereof;  
 FIG. 6 is a top plan view thereof;  
 FIG. 7 is a bottom plan view thereof;  
 FIG. 8 is an enlarged perspective view of the encircled portion identified as 8 in FIG. 1; and,  
 FIG. 9 is an enlarged perspective view of the encircled portion identified as 9 in FIG. 1.  
 The dash-dash broken lines represent portions of the lacrosse head that form no part of the claimed design. The dot-dash broken lines represent boundaries of the claimed design and form no part of the claimed design.

**1 Claim, 9 Drawing Sheets**



(56)

**References Cited**

U.S. PATENT DOCUMENTS

D692,075	S *	10/2013	Vestuti .....	D21/724
D703,777	S *	4/2014	Fraser .....	D21/724
8,721,477	B2 *	5/2014	Chung .....	A63B 59/20 473/513
8,727,915	B2 *	5/2014	Lignelli .....	A63B 60/10 473/513
D723,640	S *	3/2015	Paquette .....	D21/724
D724,682	S *	3/2015	McPhail .....	D21/724
D733,232	S *	6/2015	Li .....	D21/724
D740,899	S *	10/2015	McPhail .....	D21/724
D750,185	S *	2/2016	Burns .....	D21/724
D753,248	S *	4/2016	Burns .....	D21/724
D786,376	S *	5/2017	Paquette .....	D21/724
D798,401	S *	9/2017	Kenneally .....	D21/724
D798,402	S *	9/2017	Kenneally .....	D21/724
D843,528	S *	3/2019	Williams .....	D21/724
D843,529	S	3/2019	Williams et al.	
2006/0194655	A1 *	8/2006	Tucker, Sr. ....	A63B 59/20 473/513
2018/0001167	A1 *	1/2018	Miceli .....	A63B 59/20

\* cited by examiner

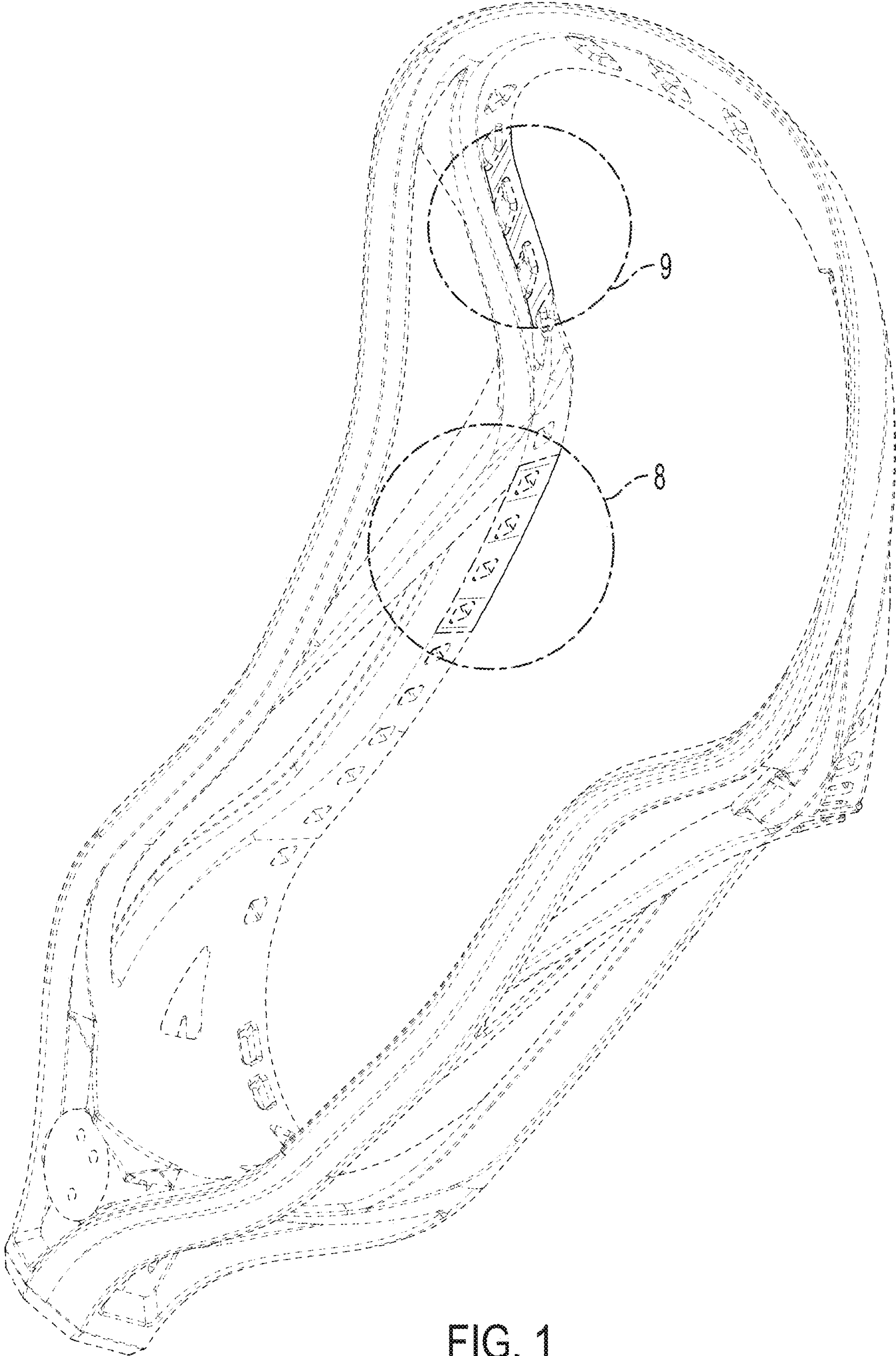


FIG. 1



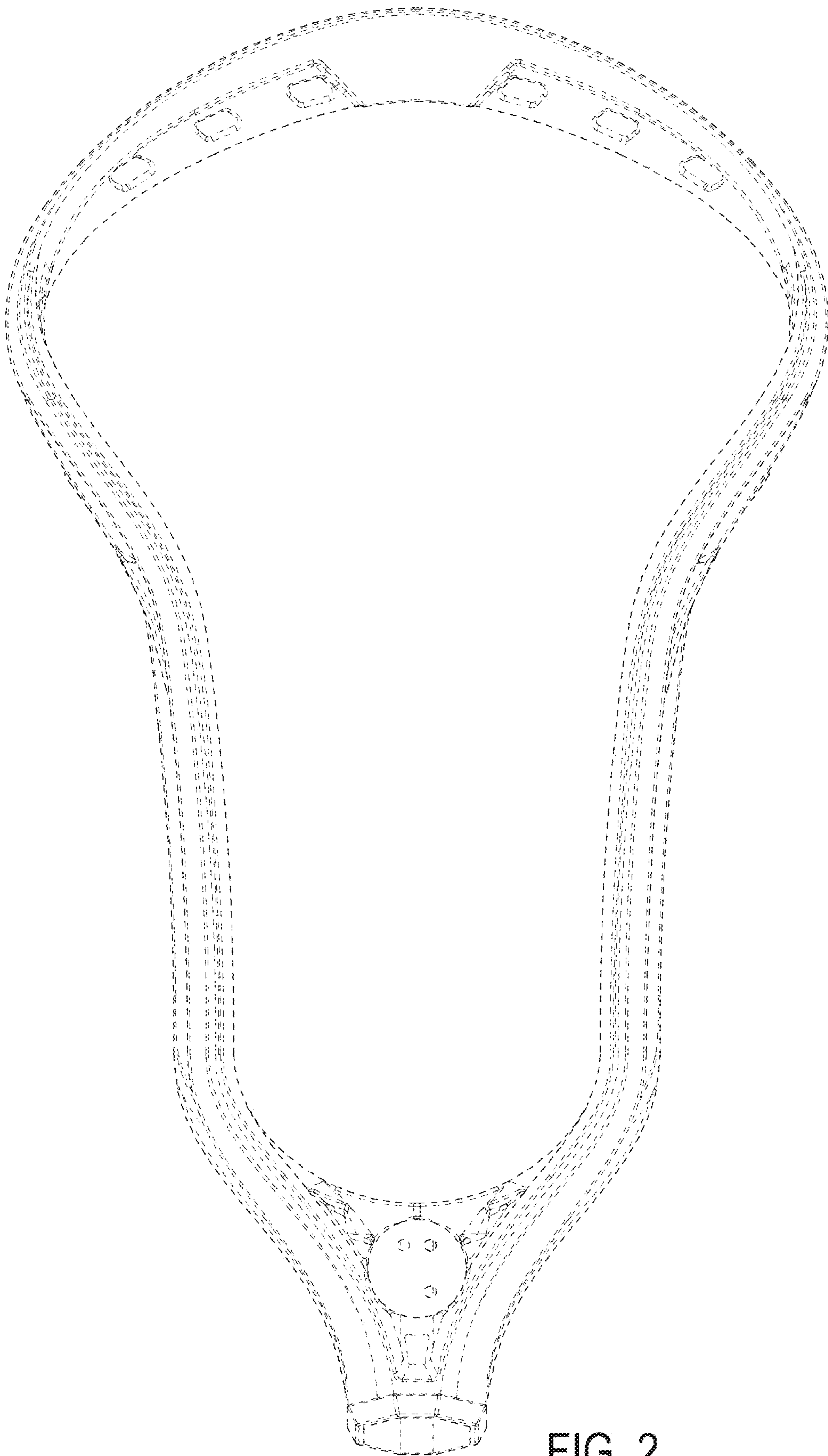


FIG. 2



FIG. 3

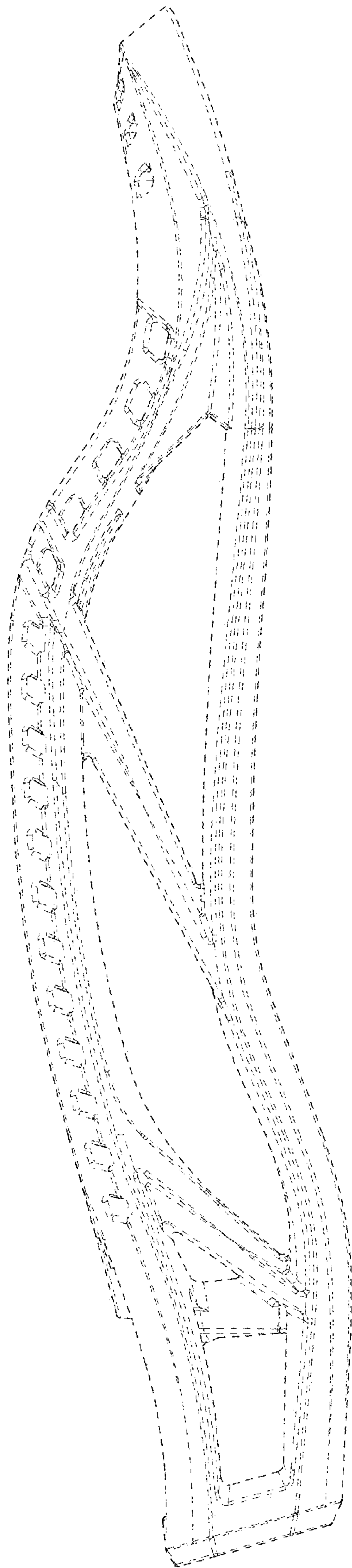


FIG. 4

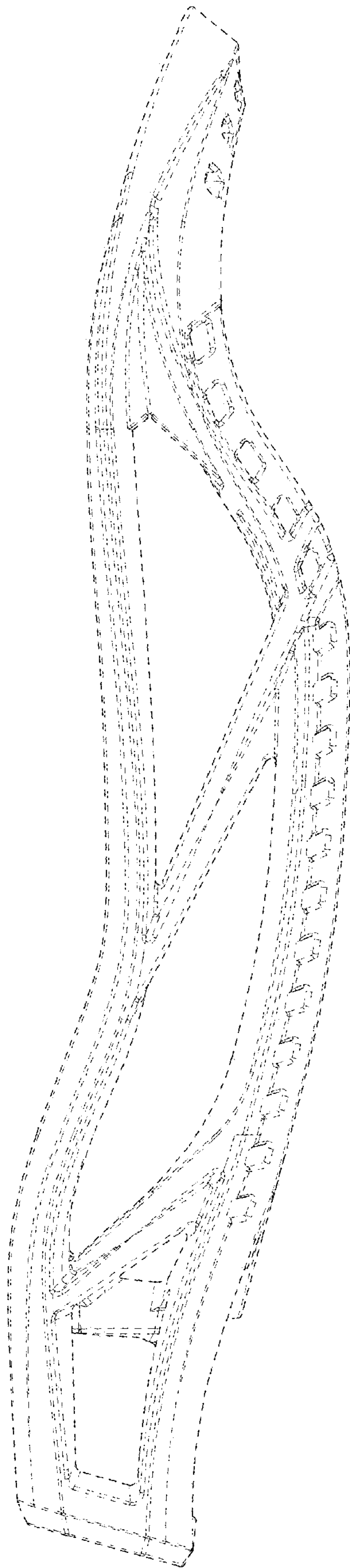


FIG. 5

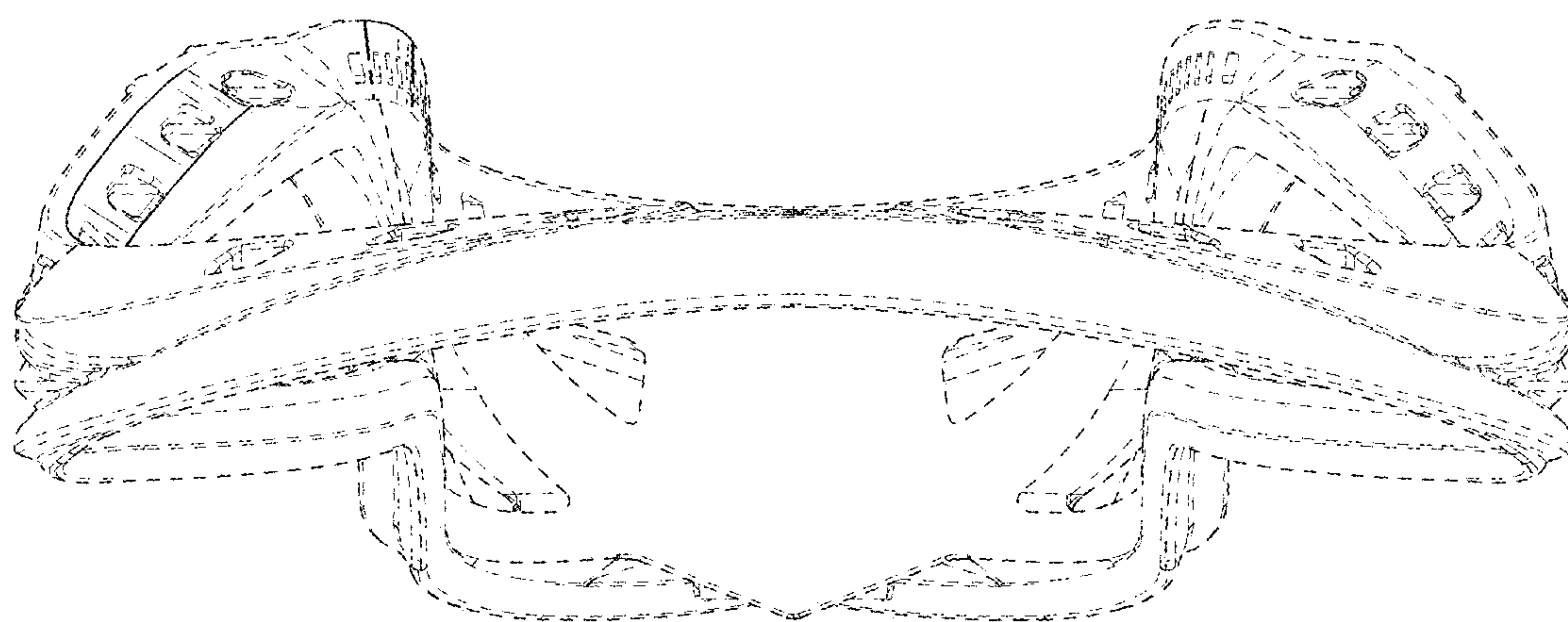


FIG. 6



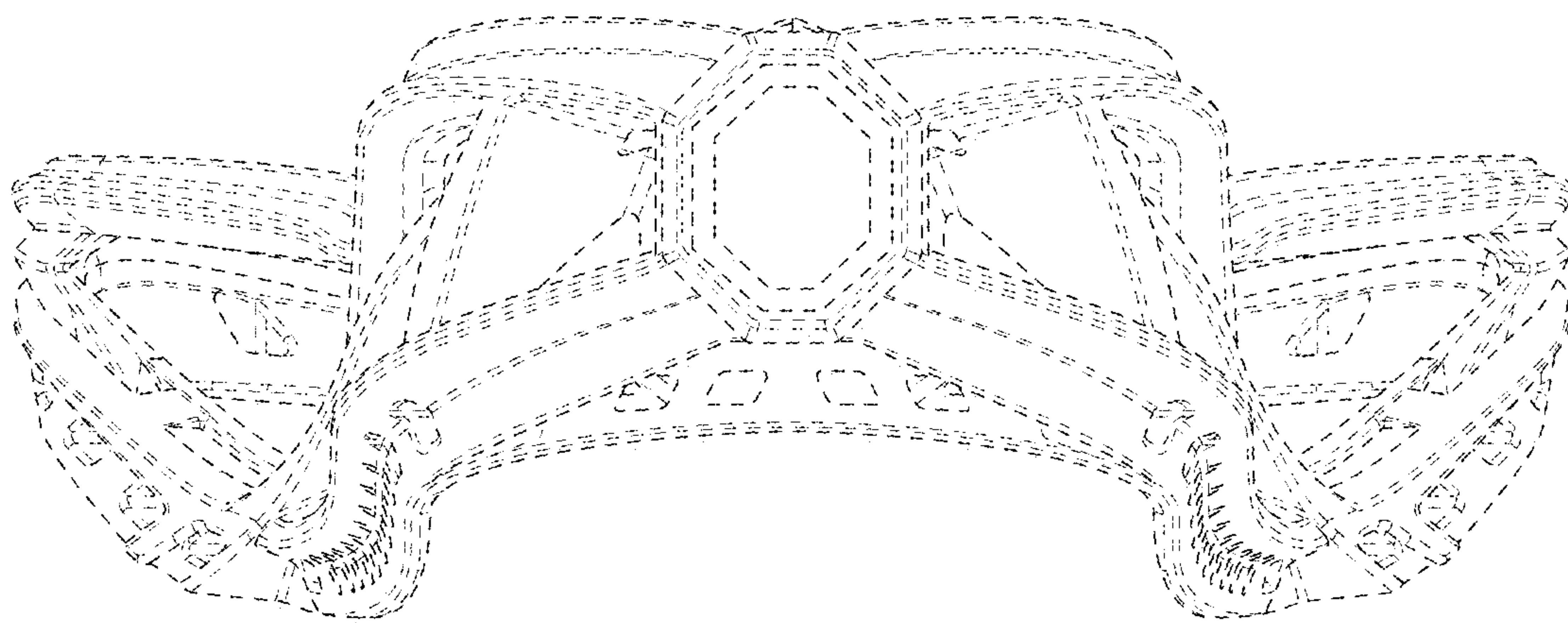


FIG. 7

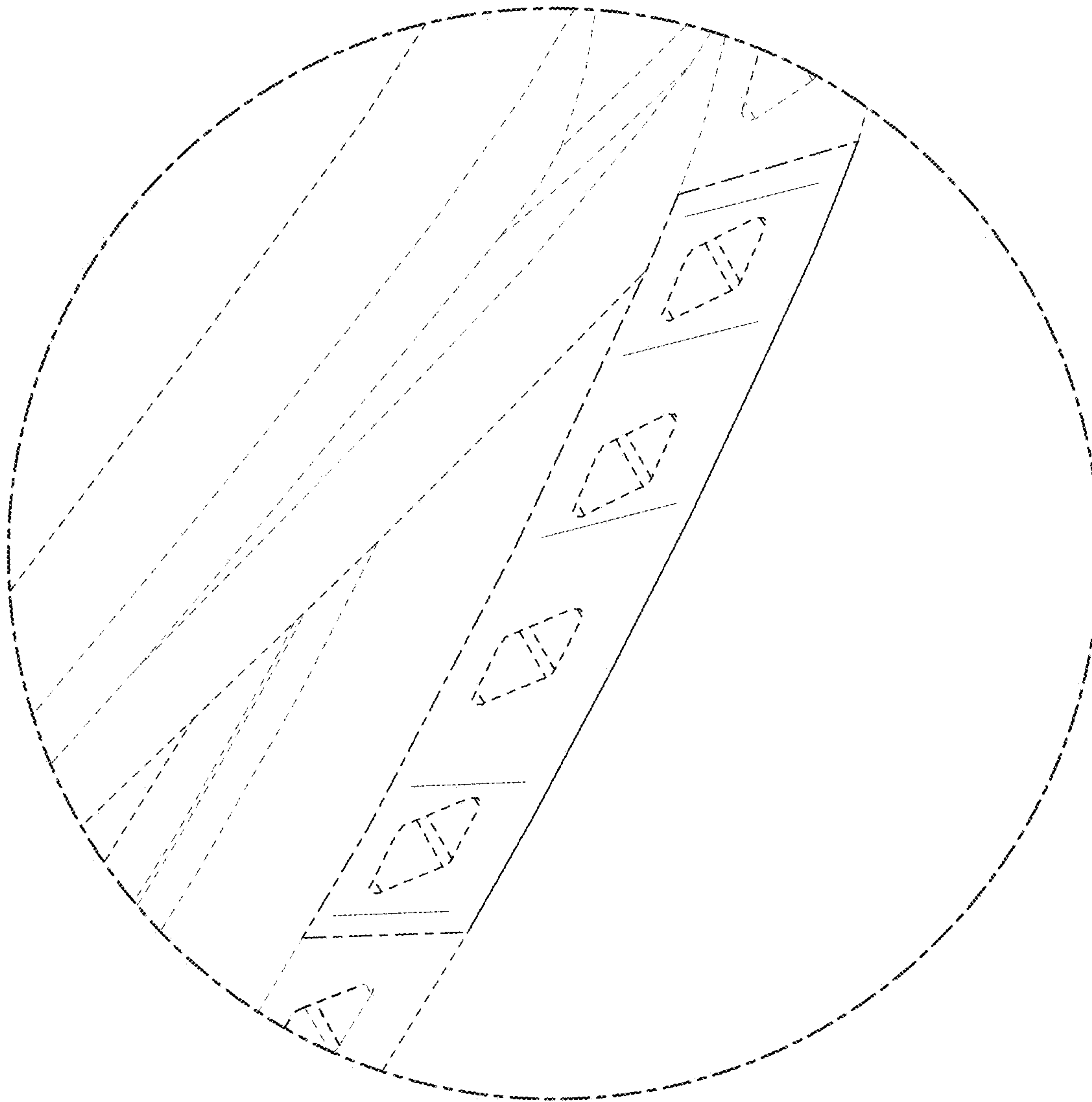


FIG. 8

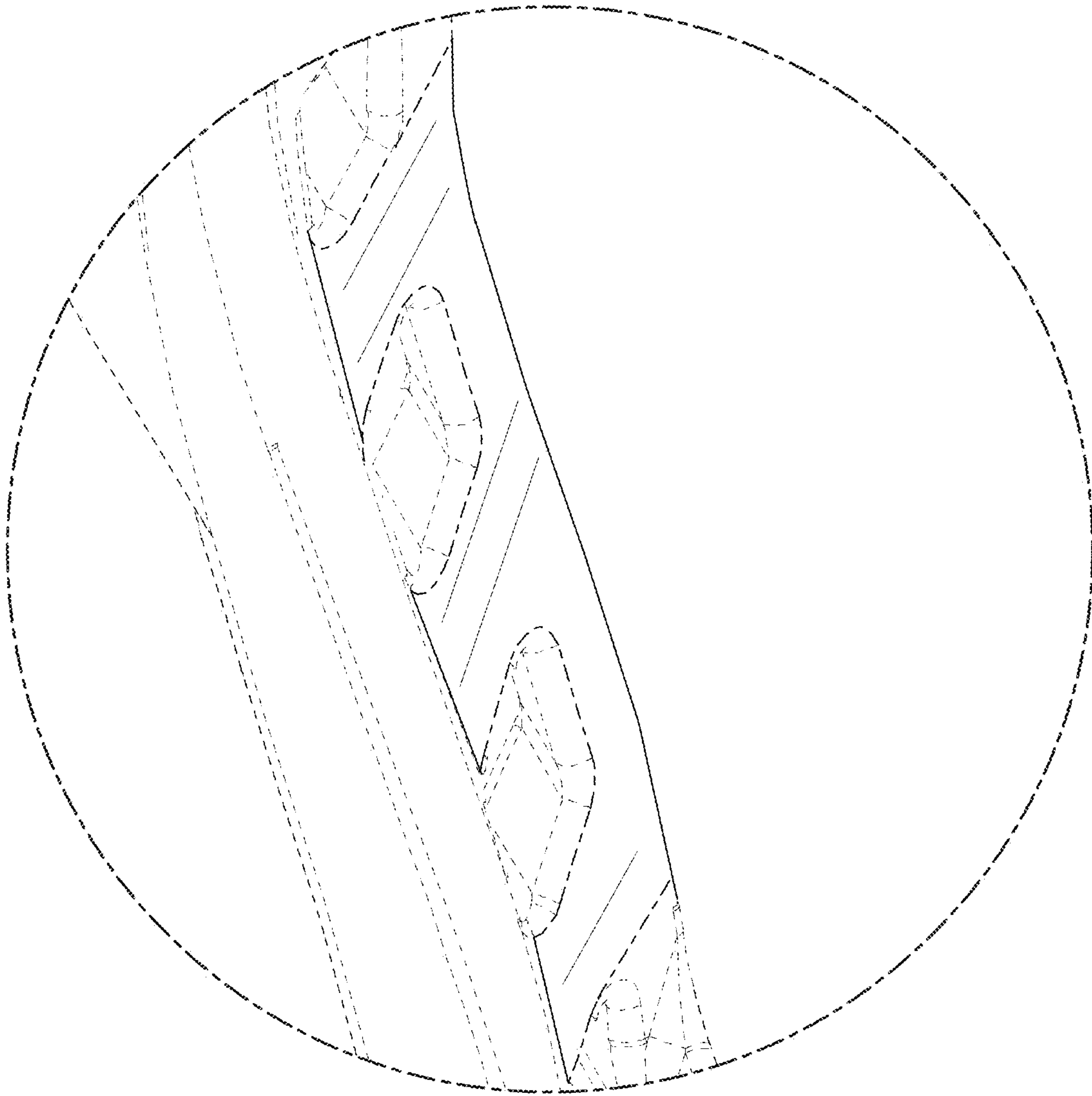


FIG. 9