



US00D895743S

(12) **United States Design Patent** (10) **Patent No.:** **US D895,743 S**
Lau (45) **Date of Patent:** **** Sep. 8, 2020**

(54) **EXERCISING DEVICE**
(71) Applicant: **Tak Piu Lau**, Hong Kong (CN)
(72) Inventor: **Tak Piu Lau**, Hong Kong (CN)
(**) Term: **15 Years**
(21) Appl. No.: **29/667,188**
(22) Filed: **Oct. 19, 2018**
(51) **LOC (12) Cl.** **21-02**
(52) **U.S. Cl.**
USPC **D21/691**
(58) **Field of Classification Search**
USPC 482/23, 38, 40, 94, 95, 96, 97, 98, 99,
482/101, 102, 133, 142; D21/662, 665,
D21/671, 673, 675, 676, 686, 687, 690,
D21/694
CPC A63B 21/4029; A63B 2023/006; A63B
21/16; A63B 23/02
See application file for complete search history.

(56) **References Cited**

U.S. PATENT DOCUMENTS

D567,312 S *	4/2008	Tsai	D21/662
D623,707 S *	9/2010	Ritchie	D21/679
D649,205 S *	11/2011	Zachary	D21/676
8,172,726 B1 *	5/2012	Leier	A63B 1/00 482/23
D849,160 S *	5/2019	Lau	D21/686
D850,543 S *	6/2019	Lau	D21/686
2005/0250619 A1 *	11/2005	Daikeler	A63B 1/00 482/40
2008/0227609 A1 *	9/2008	Barniak	A63B 3/00 482/142
2012/0046150 A1 *	2/2012	Stacey	A63B 1/00 482/131
2012/0115683 A1 *	5/2012	Ross	A63B 21/1636 482/38
2012/0115684 A1 *	5/2012	Nguyen	A63B 21/1627 482/40

2013/0178338 A1 *	7/2013	Ross	A63B 1/00 482/40
2014/0094347 A1 *	4/2014	Orakwusi	A63B 1/1636 482/38
2014/0221163 A1 *	8/2014	McBride et al.	..	A63B 69/0048 482/40
2014/0302968 A1 *	10/2014	Velikin	A63B 1/00 482/40
2015/0005142 A1 *	1/2015	Crisp	A63B 21/055 482/129
2015/0352395 A1 *	12/2015	Gregory	A63B 23/03558 482/123

(Continued)

OTHER PUBLICATIONS

Amazon, "ONETWOFIT_Wall Mounted PullUp Bar", Oct. 2, 2018.
https://www.amazon.com/ONETWOFIT-Multifunctional-Strength-Training-Equipment/dp/B07FYZ8X1F/ref=cm_cr_arp_d_product_top?ie=UTF8&th=1. Shown on p. 1. (Year: 2018).*

Primary Examiner — Cynthia Ramirez
Assistant Examiner — Michael A Maharajh

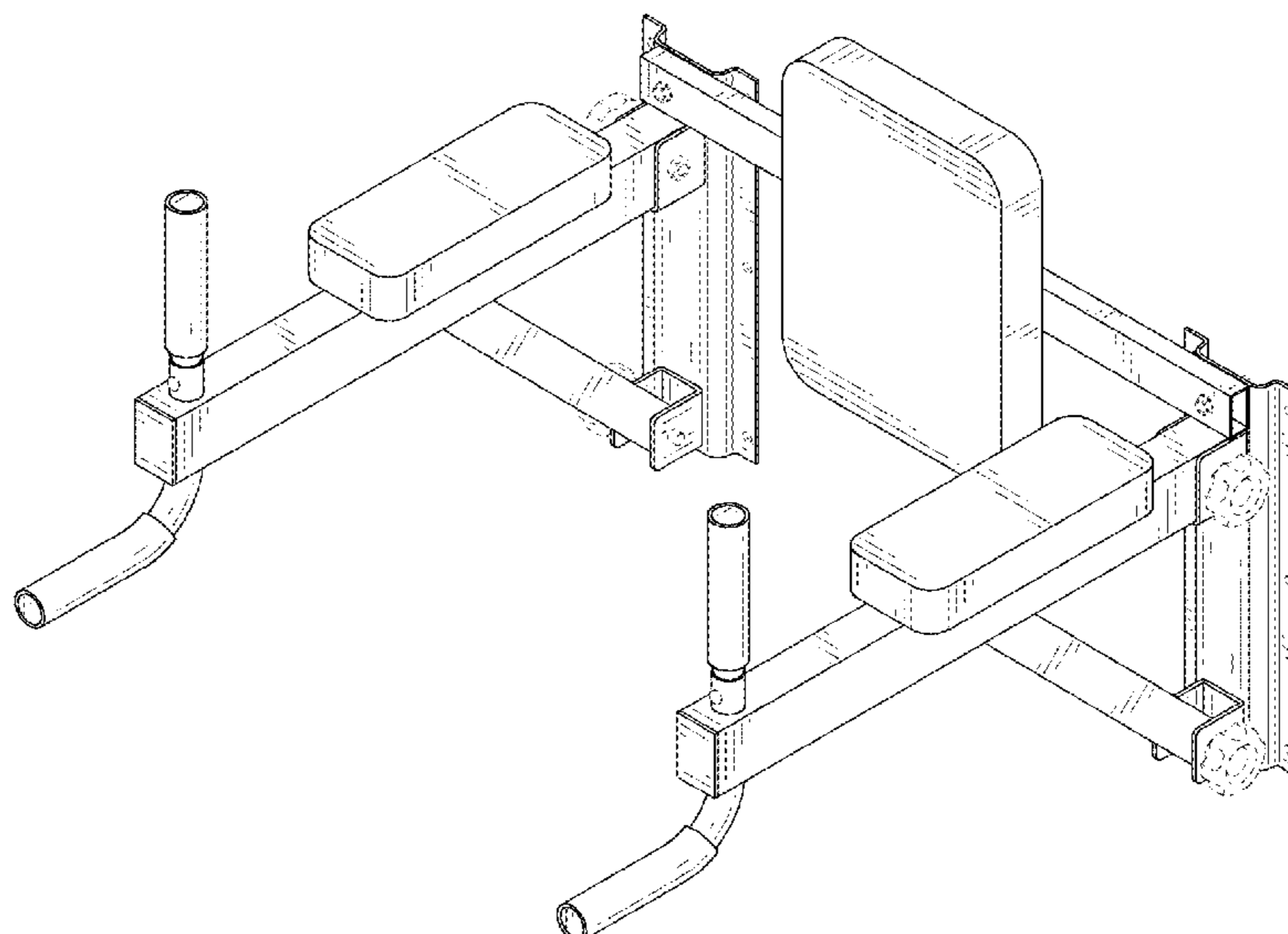
(57) **CLAIM**

The ornamental design for an exercising device, as shown and described.

DESCRIPTION

FIG. 1 is a top front perspective view of an exercising device showing my new design;
FIG. 2 is a rear front perspective view thereof;
FIG. 3 is a front elevation view thereof;
FIG. 4 is a rear elevation view thereof;
FIG. 5 is a left side elevation view thereof;
FIG. 6 is a right side elevation view thereof;
FIG. 7 is a top plan view thereof; and,
FIG. 8 is a bottom plan view thereof.
The broken lines shown in the drawings are included for the purpose of illustrating portions of the article that form no part of the claimed design.

1 Claim, 8 Drawing Sheets



(56)

References Cited

U.S. PATENT DOCUMENTS

2019/0105527 A1* 4/2019 Hallmark A63B 21/0442
2019/0329095 A1* 10/2019 Noren A63B 23/0216

* cited by examiner

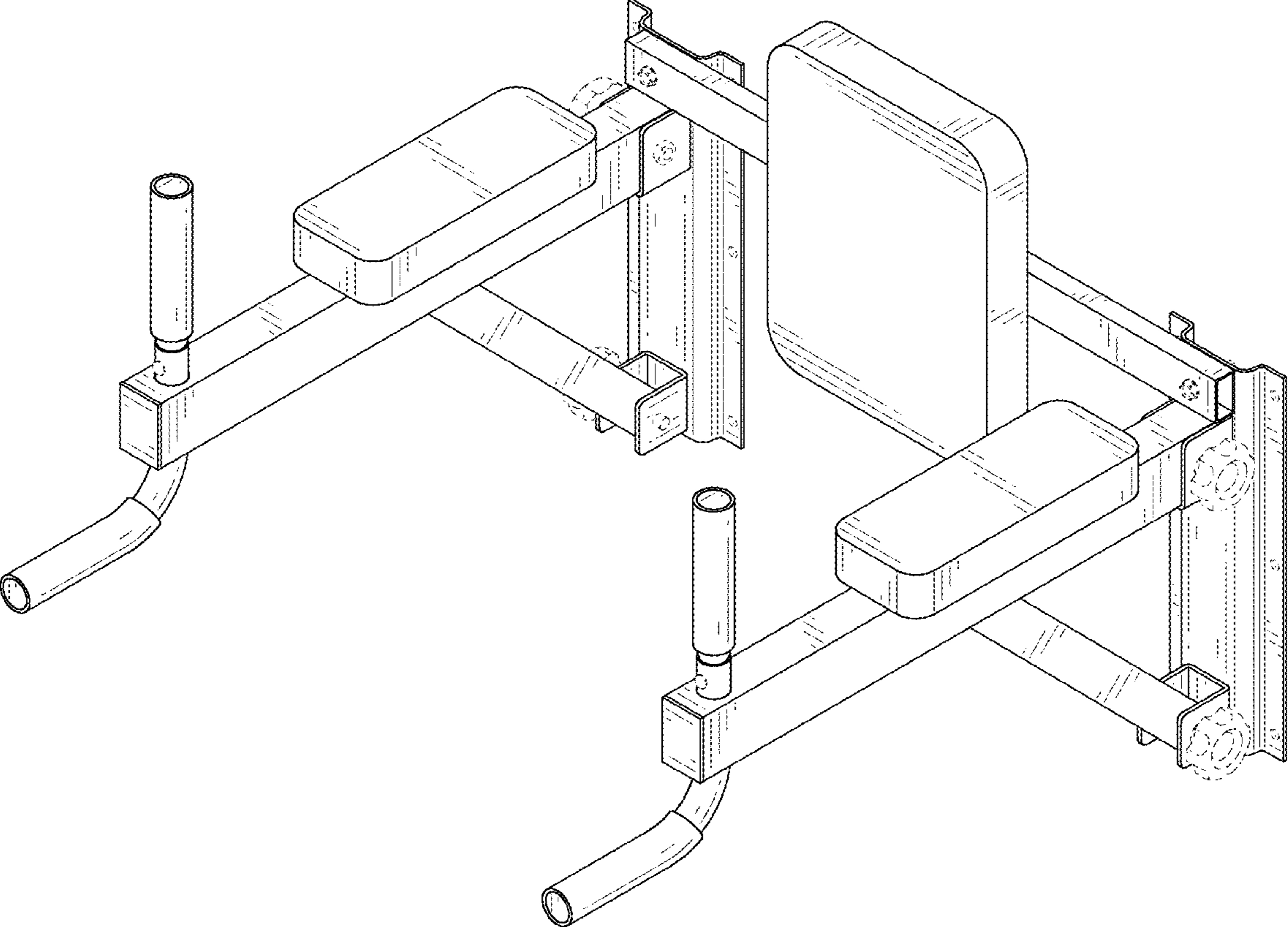


FIG. 1

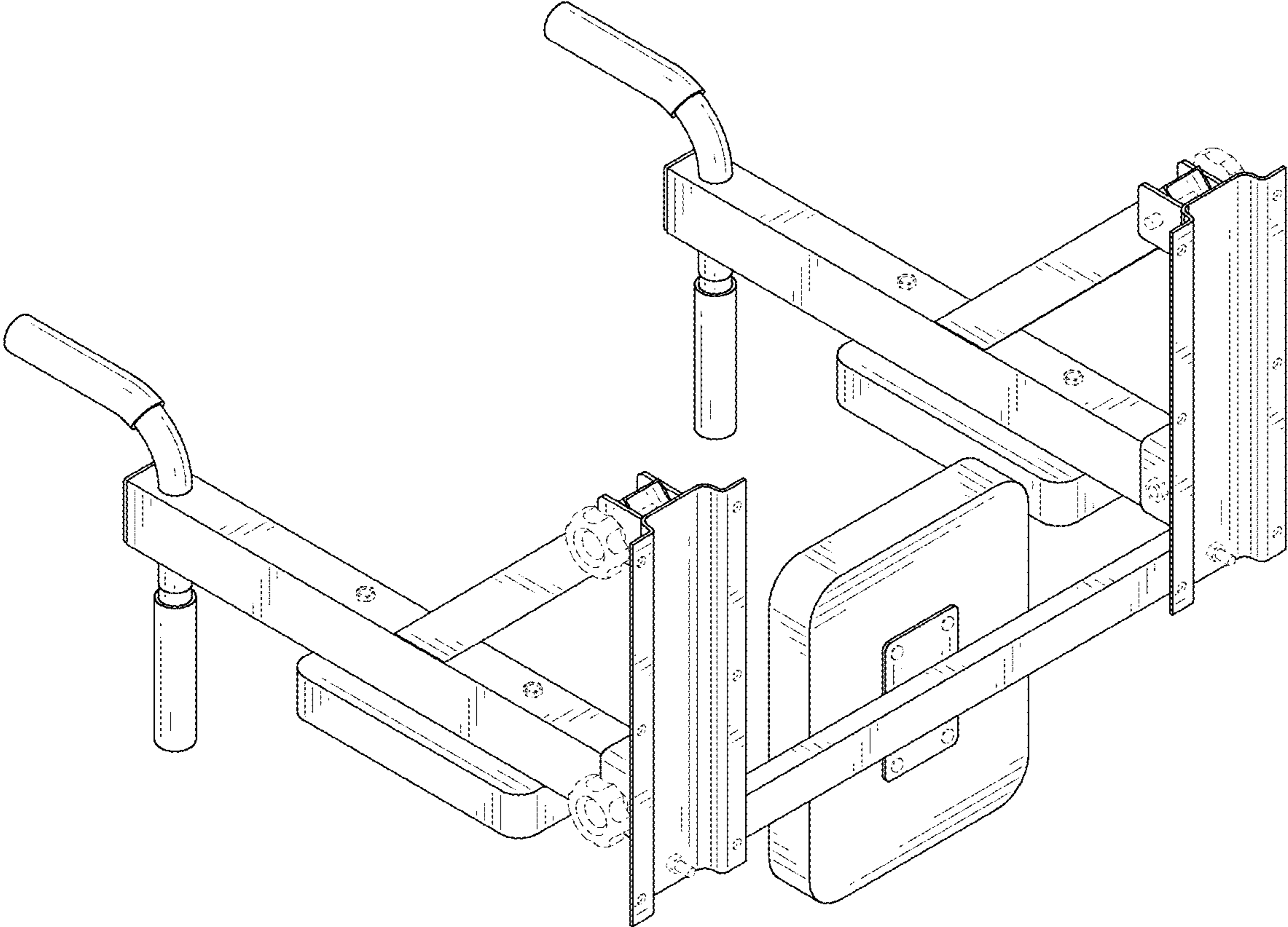


FIG. 2

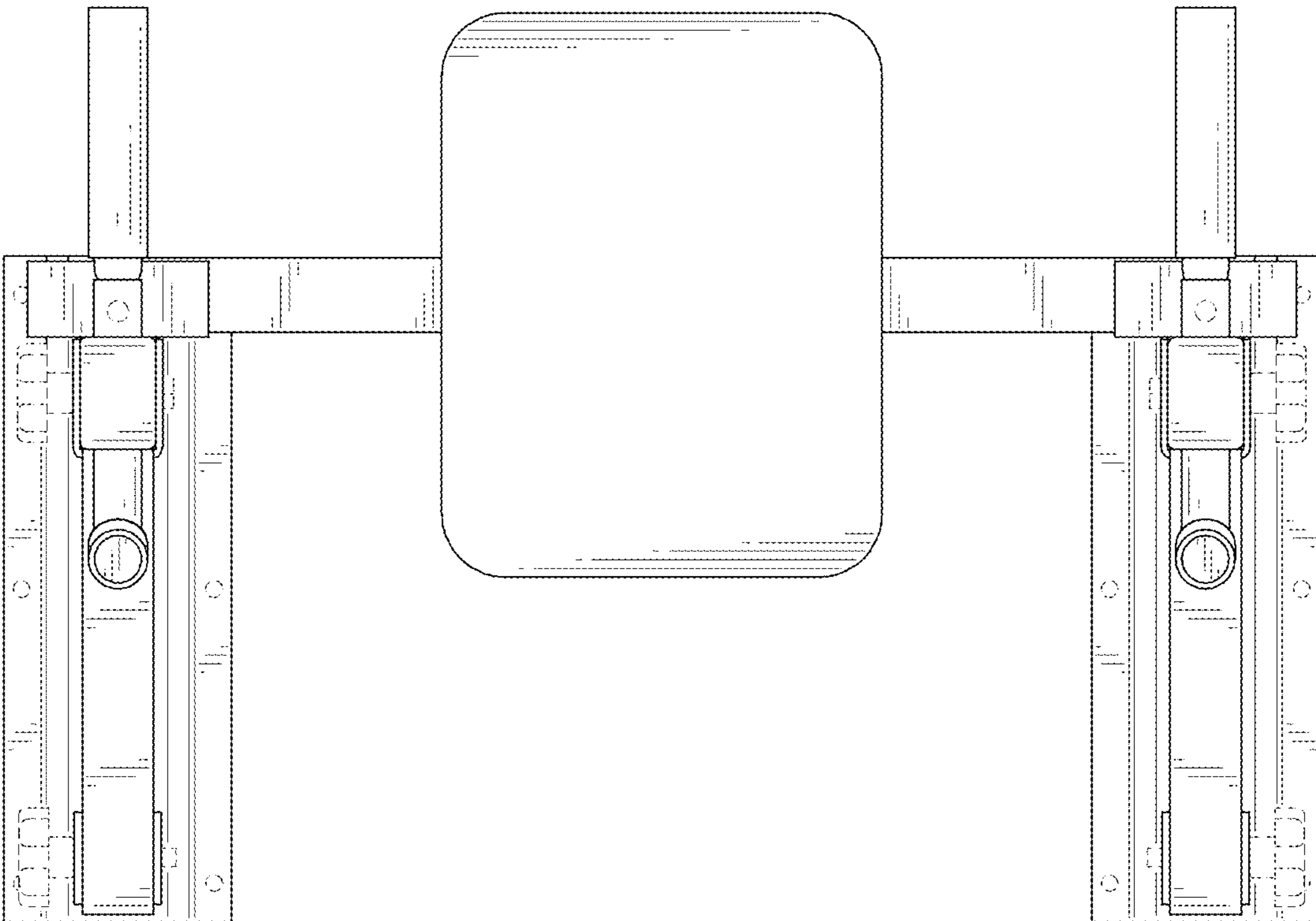


FIG. 3

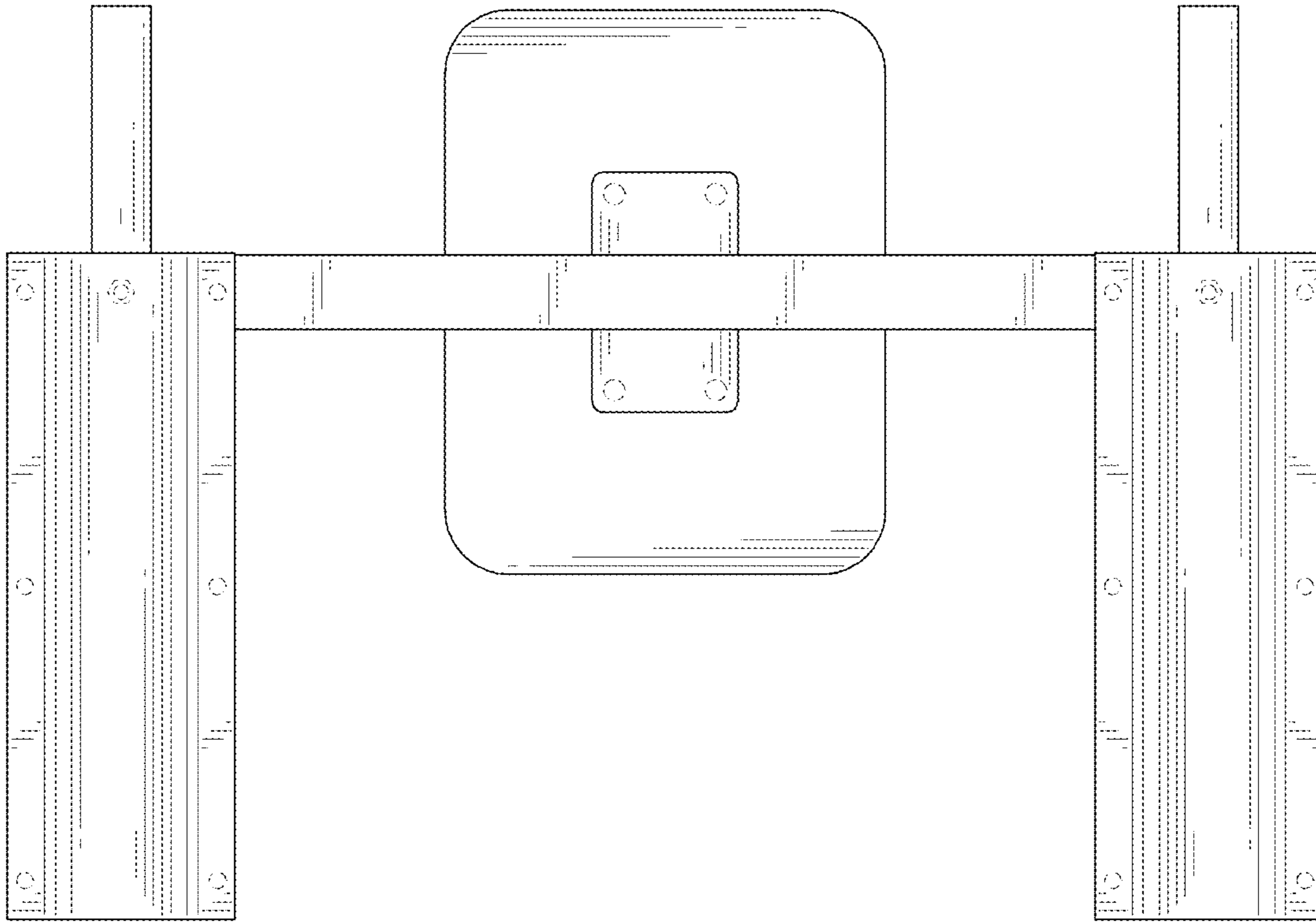


FIG. 4

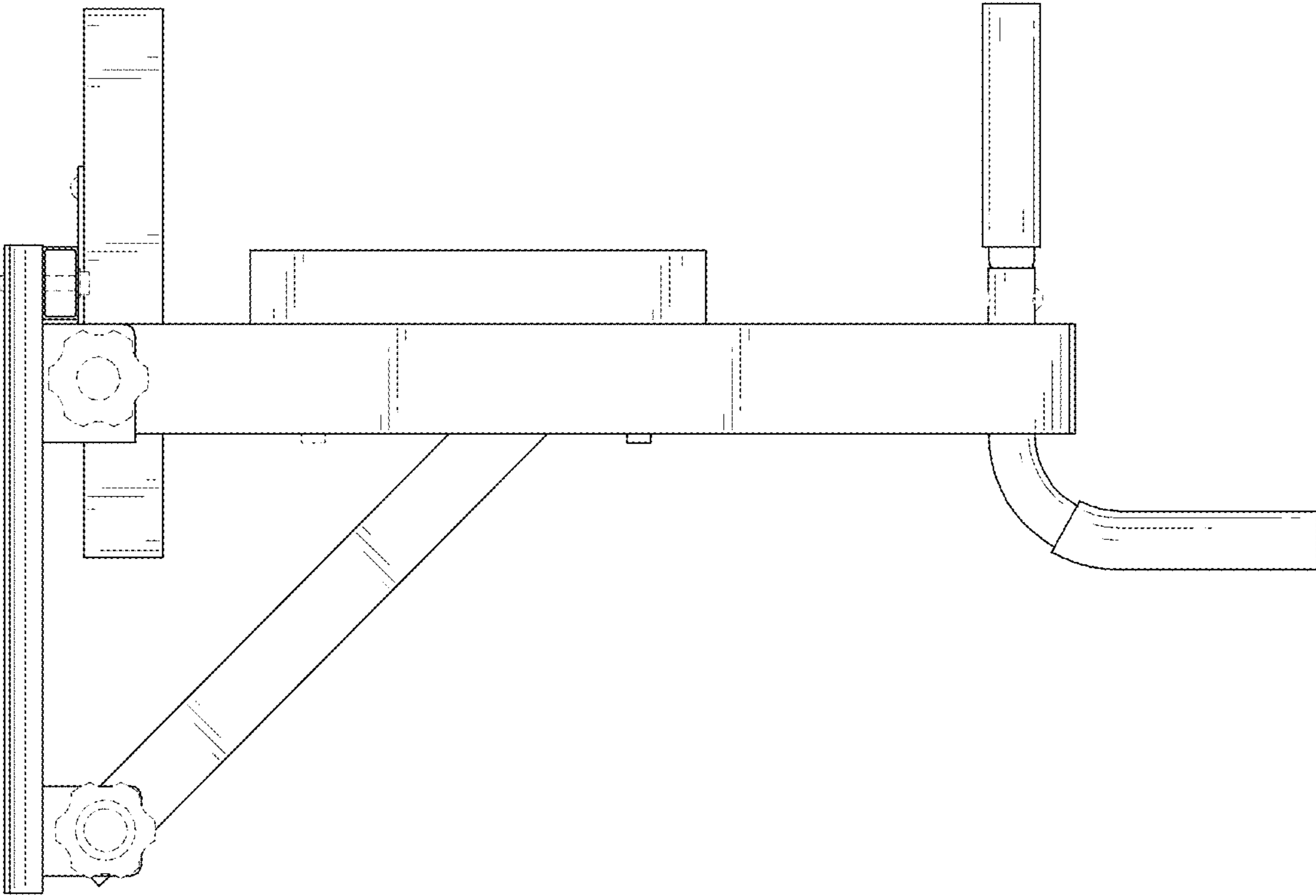


FIG. 5

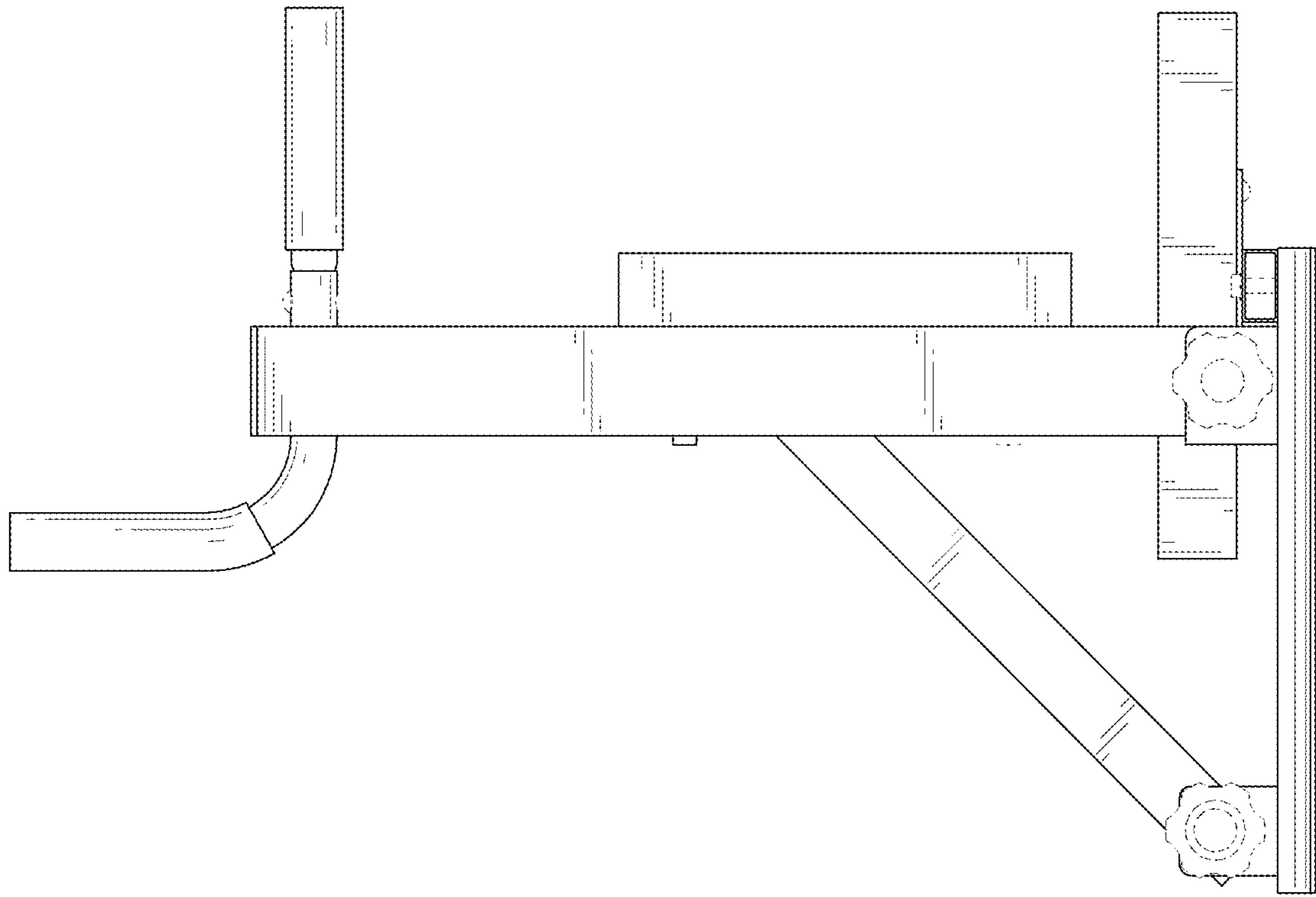


FIG. 6

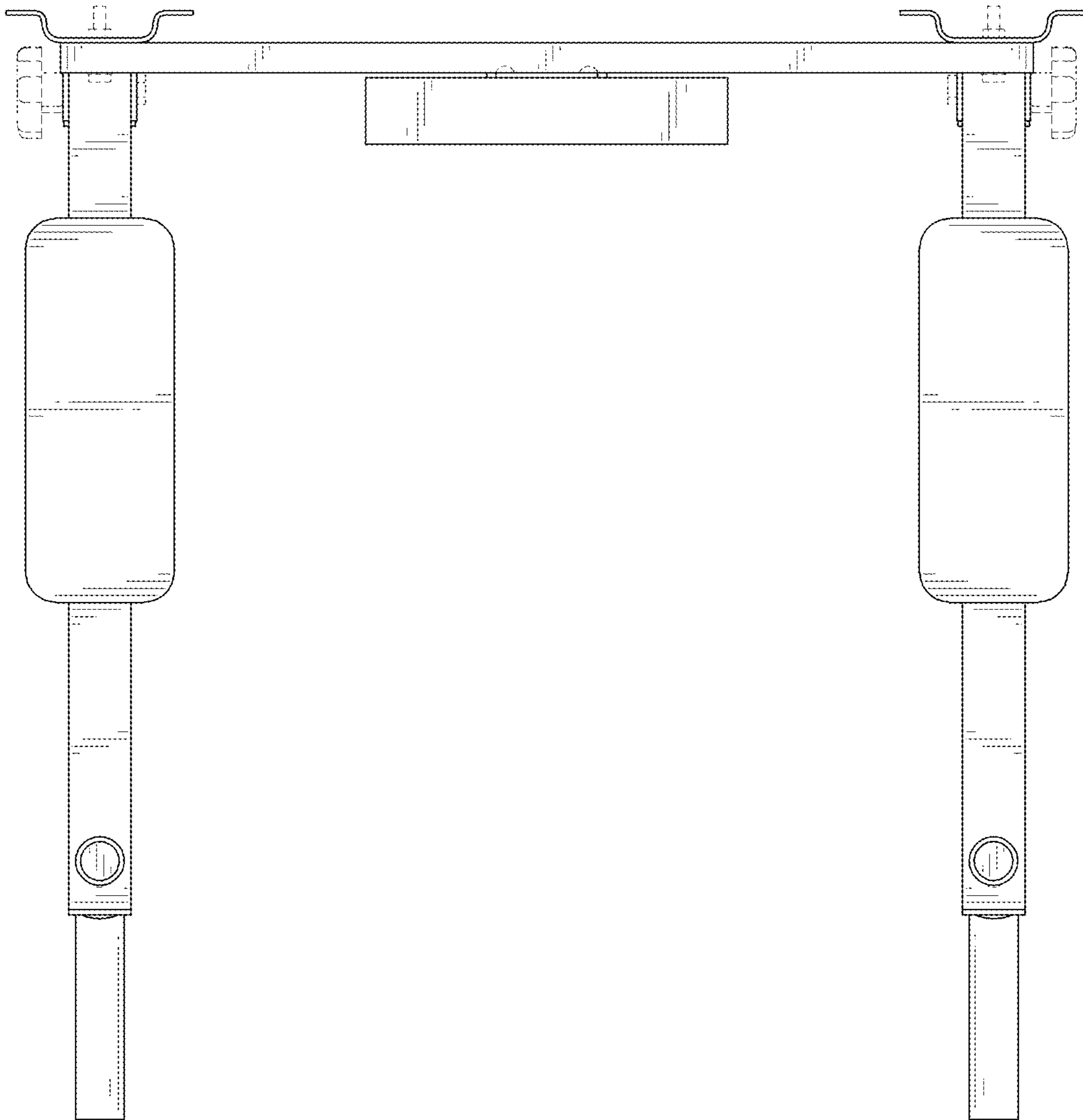


FIG. 7

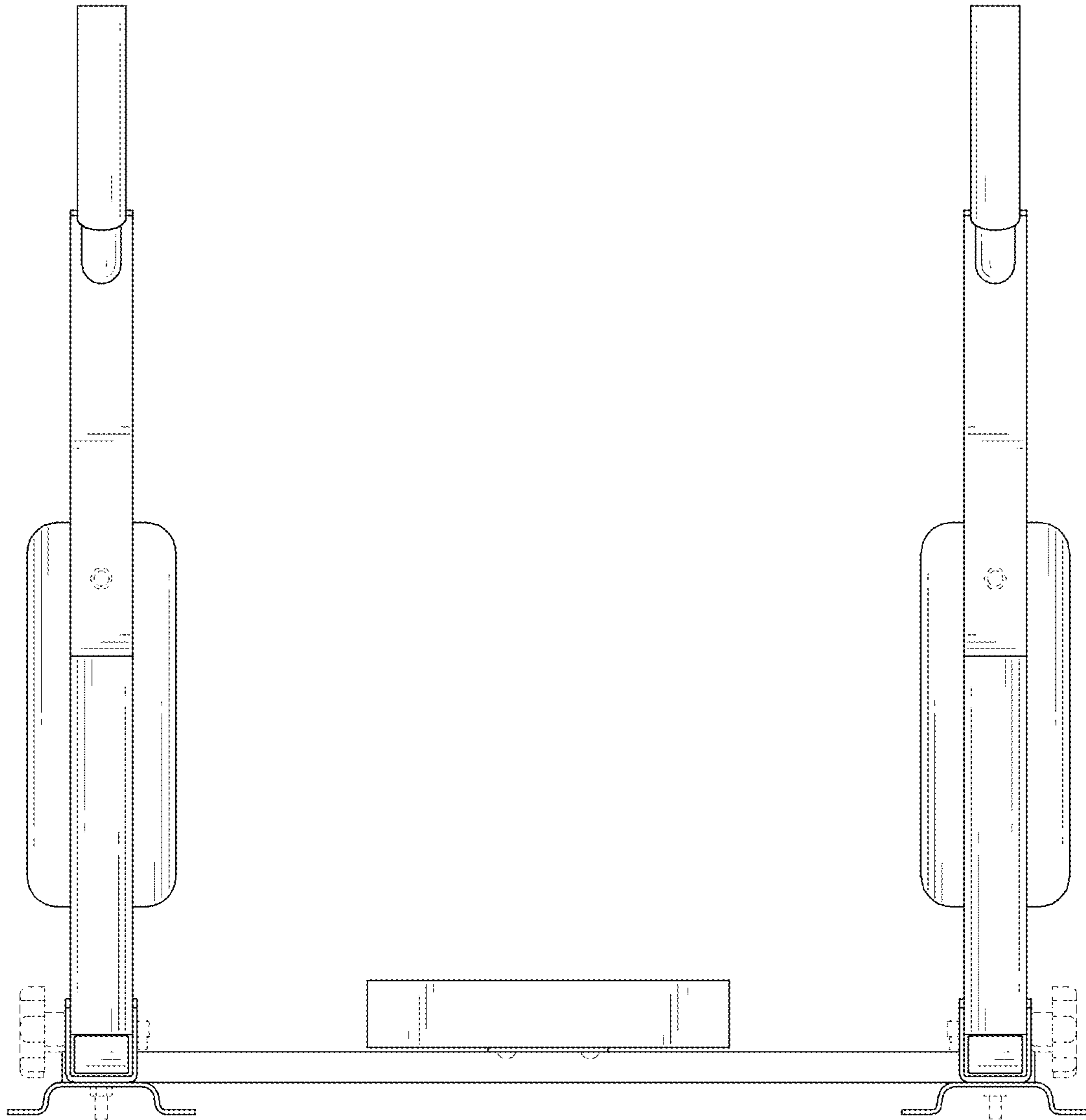


FIG. 8