



US00D895742S

(12) **United States Design Patent**
Vorozilchak

(10) **Patent No.:** **US D895,742 S**

(45) **Date of Patent:** **** Sep. 8, 2020**

- (54) **EXERCISE SLED**
- (71) Applicant: **Warrior Strength, LLC**, Wilkes Barre, PA (US)
- (72) Inventor: **David Vorozilchak**, Shavertown, PA (US)
- (73) Assignee: **Warrior Strength, LLC**
- (**) Term: **15 Years**

- D383,811 S * 9/1997 Ho D21/686
 - D389,543 S * 1/1998 Morning D21/760
 - D389,545 S * 1/1998 Gertler D21/760
 - 6,471,237 B1 * 10/2002 Bedsole B62B 1/12
280/79.2
 - 7,040,635 B1 * 5/2006 Remole A47C 7/002
280/79.2
 - 7,104,934 B1 * 9/2006 Smith A63B 21/0615
482/97
 - D562,417 S * 2/2008 Noojin D21/698
- (Continued)

- (21) Appl. No.: **29/663,158**
- (22) Filed: **Sep. 12, 2018**
- (51) **LOC (12) Cl.** **21-02**
- (52) **U.S. Cl.**
USPC **D21/686**
- (58) **Field of Classification Search**
USPC 482/93, 94, 97; D21/662, 680, 686, 694,
D21/698, 760, 788; D34/12, 14, 16, 17,
D34/19, 20, 21, 23, 24, 25, 26, 27
CPC A63B 21/4043; A63B 23/047; A63B
21/0004; A63B 21/012
See application file for complete search history.

OTHER PUBLICATIONS

All-Surface Weight & Prowler Sleds on Wheels | Football Blocking Sleds, <https://www.torquefitness.com/tank-all-surface-sled/>, Printed Sep. 11, 2018. US.

(Continued)

Primary Examiner — Cynthia Ramirez
Assistant Examiner — Michael A Maharajh
(74) *Attorney, Agent, or Firm* — The Belles Group, P.C.

(57) **CLAIM**

The ornamental design for an exercise sled, as shown and described.

(56) **References Cited**

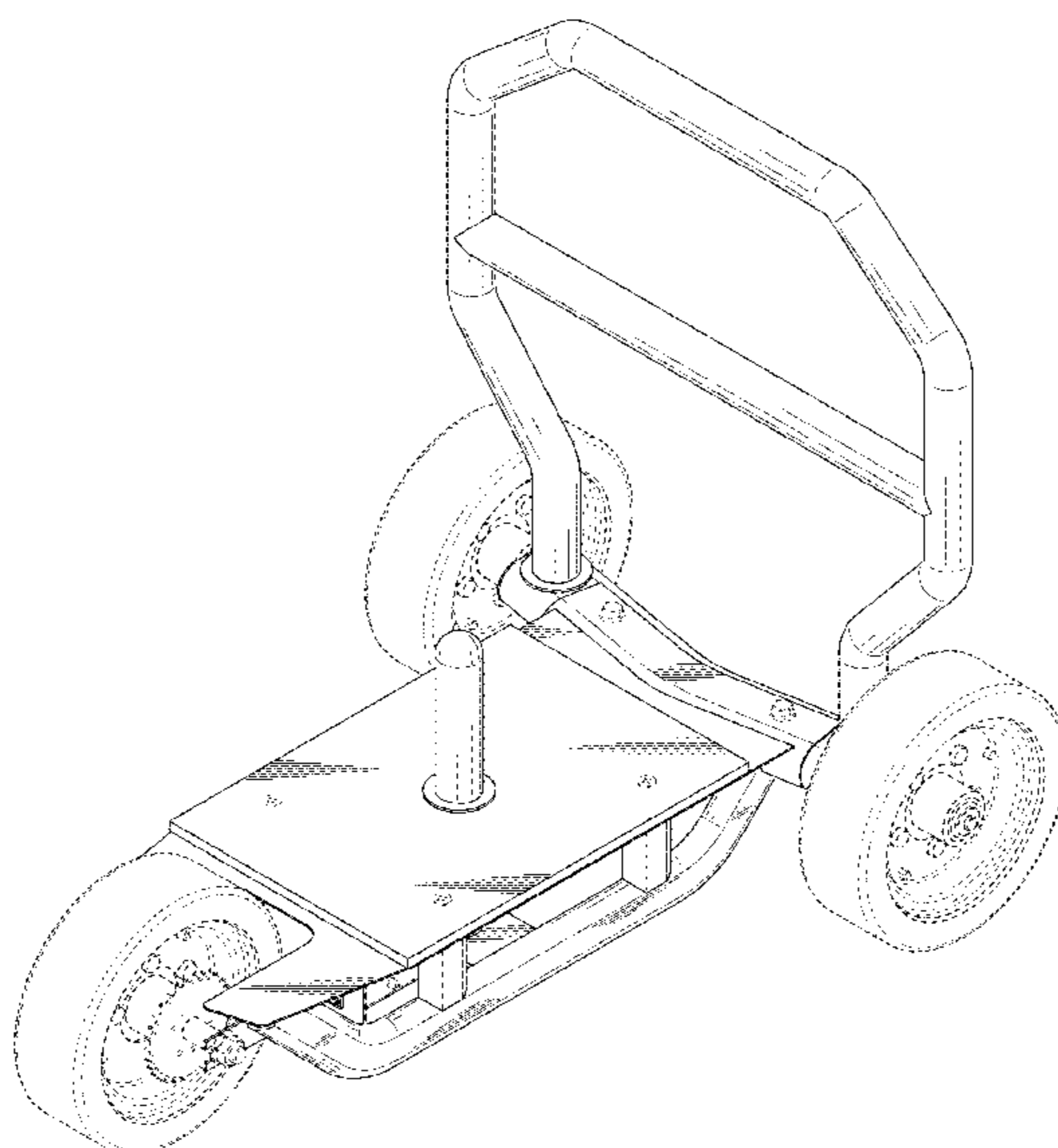
U.S. PATENT DOCUMENTS

- 2,662,779 A * 12/1953 Squyer G01M 11/061
280/79.3
- 3,294,399 A * 12/1966 Cugliari A63B 21/154
482/94
- 3,364,747 A * 1/1968 Ebstein A63B 23/12
482/97
- 4,765,612 A * 8/1988 Henry, Jr. A63B 21/0615
482/139
- D342,361 S * 12/1993 Williams D34/24
- 5,318,314 A * 6/1994 Cyphers B62B 1/02
280/79.2
- 5,487,711 A * 1/1996 Little A63B 21/0615
482/79
- D377,254 S * 1/1997 Cavalliere D34/26

DESCRIPTION

FIG. 1 is a top perspective view of an exercise sled showing my new design;
FIG. 2 is a bottom perspective view thereof;
FIG. 3 is a front end view thereof;
FIG. 4 is a rear end view thereof;
FIG. 5 is a left side view thereof;
FIG. 6 is a right side view thereof;
FIG. 7 is a top plan view thereof; and,
FIG. 8 is a bottom plan view thereof.
The broken lines shown in the figures are for the purpose of illustrating portions of the exercise sled, which form no part of the claimed design.

1 Claim, 8 Drawing Sheets



(56)

References Cited

U.S. PATENT DOCUMENTS

7,476,183 B1 * 1/2009 Chrest A63B 21/072
482/908
D606,611 S * 12/2009 Rogers D21/698
7,727,089 B2 * 6/2010 Gilman A63B 21/06
D21/788
D667,063 S * 9/2012 Thompson D21/686
8,617,007 B2 * 12/2013 Gilman A63B 69/00
D21/788
9,186,538 B1 * 11/2015 Seen A63B 21/072
D804,763 S * 12/2017 Lopez D34/16
D804,764 S * 12/2017 Emery D34/17
D805,269 S * 12/2017 Emery D34/17
9,975,024 B1 * 5/2018 Potter A63B 69/0028
D847,920 S * 5/2019 Lien D21/691
D851,186 S * 6/2019 Kuka D21/691
10,335,627 B2 * 7/2019 Potter A63B 23/047
D868,411 S * 11/2019 Kowalski D34/24
2007/0054787 A1 * 3/2007 Simmons A63B 23/0233
482/97
2007/0210547 A1 * 9/2007 Ellis B44D 3/14
280/79.2
2008/0312009 A1 * 12/2008 Gilman A63B 21/06
473/445
2010/0059950 A1 * 3/2010 Coghill, Jr. B62B 1/14
280/47.35
2011/0124474 A1 * 5/2011 Gilman A63B 21/0615
482/93
2011/0224050 A1 * 9/2011 Larish A63B 21/015
482/93

2011/0224051 A1 * 9/2011 Larish A63B 21/012
482/93
2012/0172155 A1 * 7/2012 Gilman A63B 69/00
473/447
2013/0095984 A1 * 4/2013 Agate A63B 21/0618
482/106
2014/0073491 A1 * 3/2014 Gilson A63B 21/06
482/93
2016/0199688 A1 * 7/2016 Briley A63B 21/0615
482/97
2017/0065845 A1 * 3/2017 Pinkus A63B 21/0552
2017/0136285 A1 * 5/2017 Chessen A63B 21/072
2017/0189733 A1 * 7/2017 Bentley A63B 69/002
2017/0232293 A1 * 8/2017 Deen A63B 21/062
482/93
2017/0326402 A1 * 11/2017 Sorin A63B 21/026
2018/0311522 A1 * 11/2018 Schmidt A63B 69/345
2019/0022499 A1 * 1/2019 Seidman A63B 71/0054
2019/0262689 A1 * 8/2019 Gray A63B 23/047
2019/0365591 A1 * 12/2019 Mahoney A63B 22/00

OTHER PUBLICATIONS

Workout Sled—Develop Powerful Legs and Strong Back Muscles with a Weight Sled | Power Systems, <https://www.power-systems.com/shop/product/monster-sled>, Printed Sep. 11, 2018. US.
XPO Trainer® | Push Sled on Wheels | Armored Fitness Equipment® | Armored Fitness Equipment, <https://www.armoredfitness.com/products/xpo-trainer>, Printed Sep. 11, 2018. US.

* cited by examiner

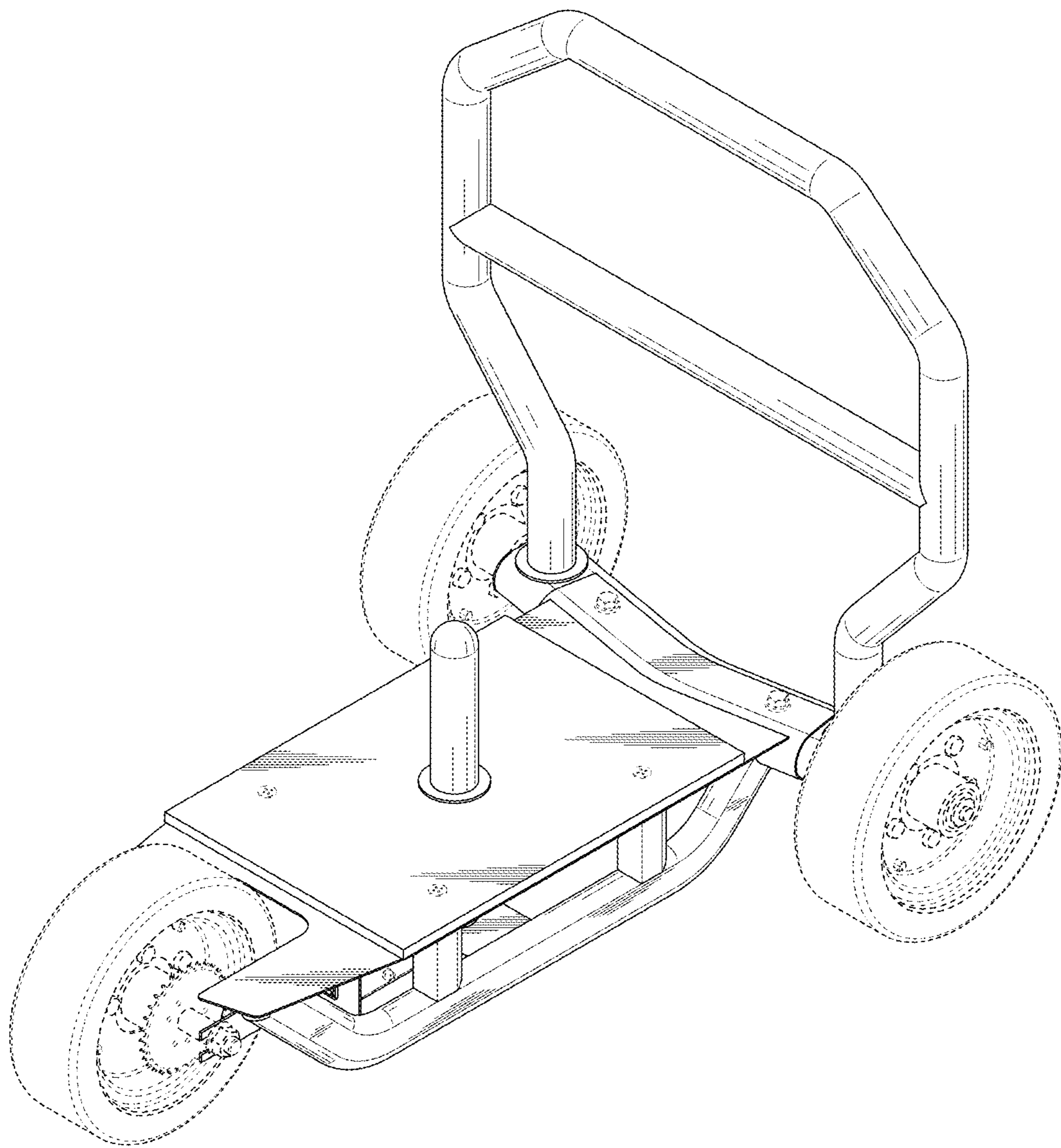


FIG. 1

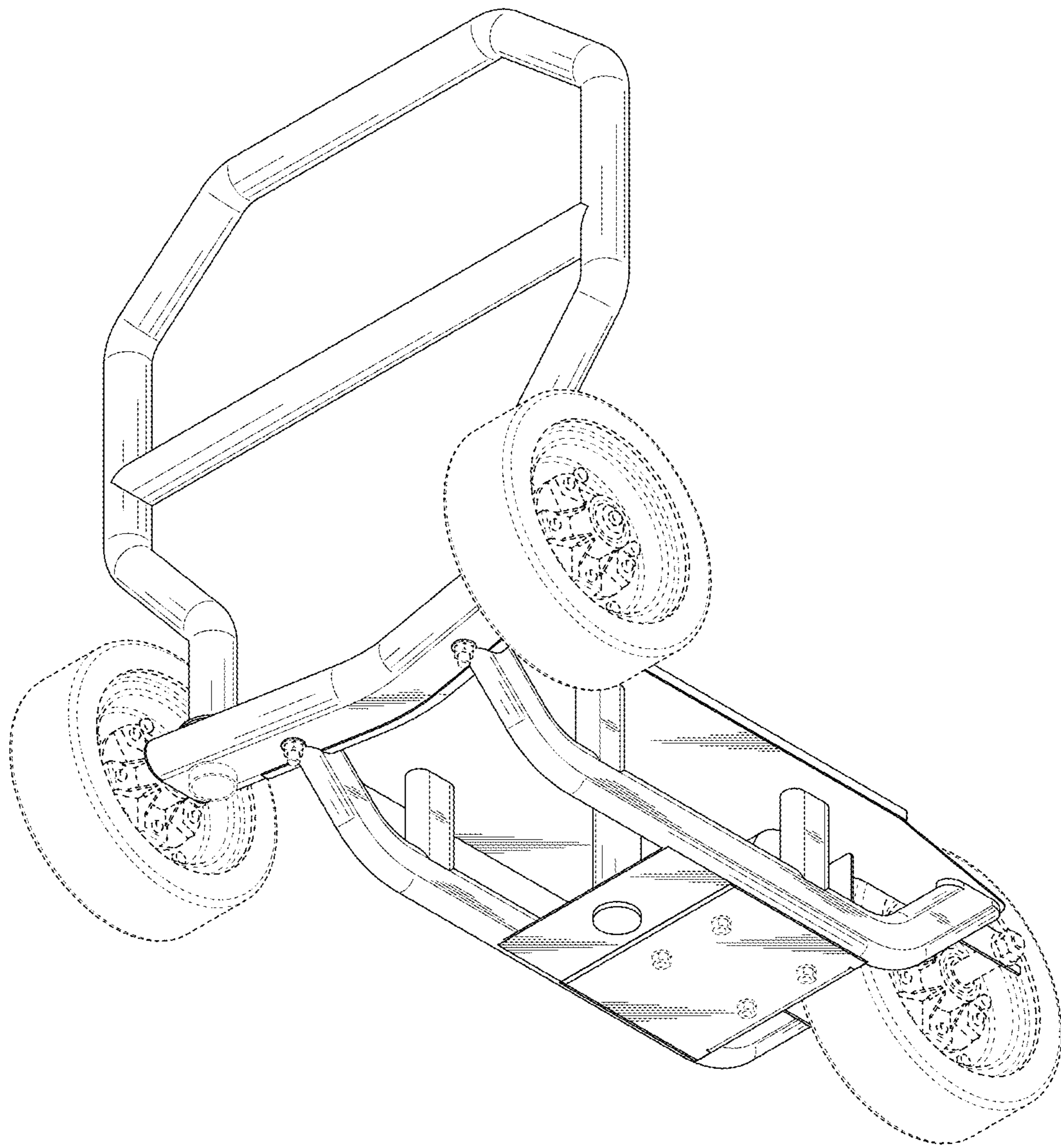


FIG. 2

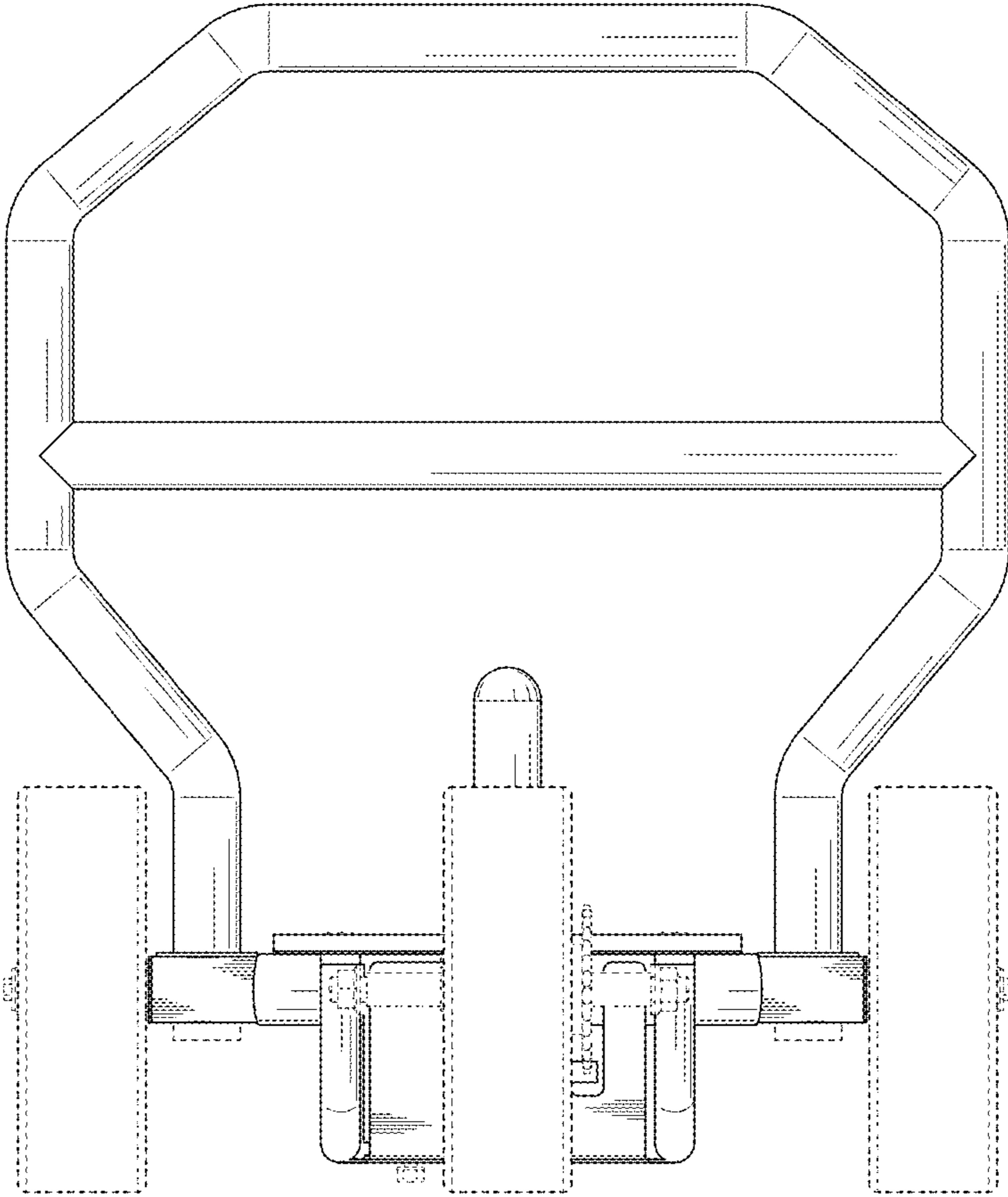


FIG. 3

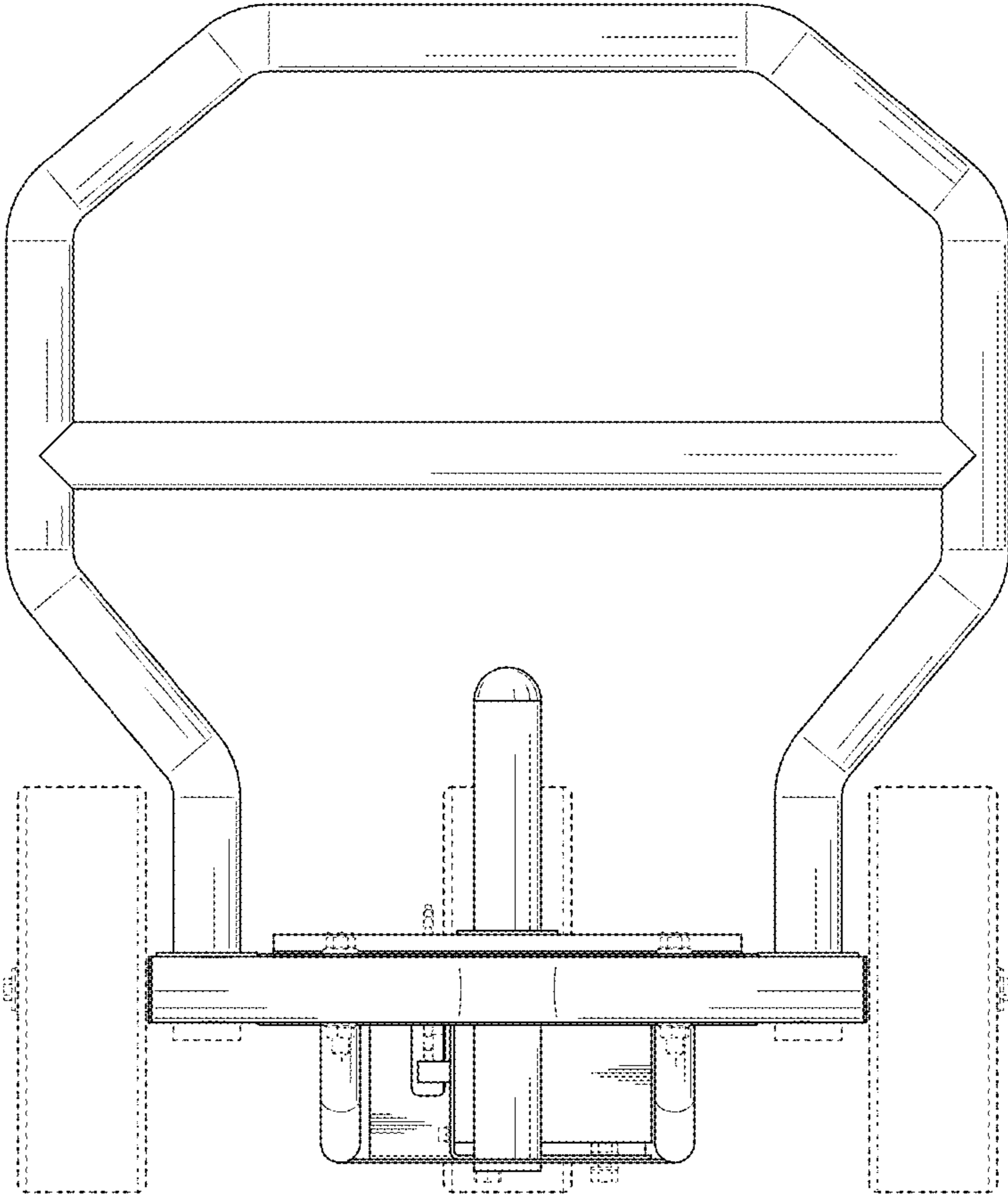


FIG. 4

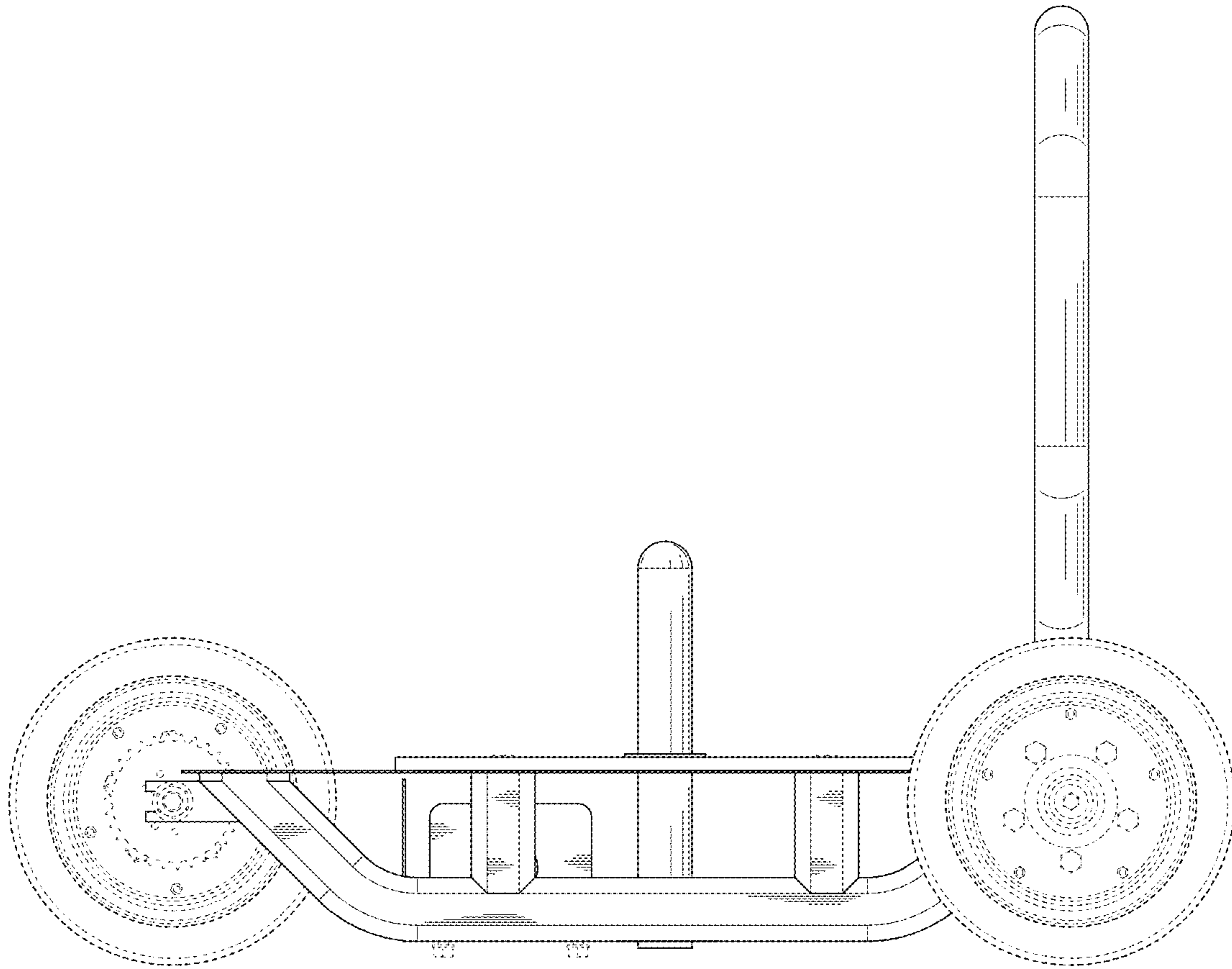


FIG. 5

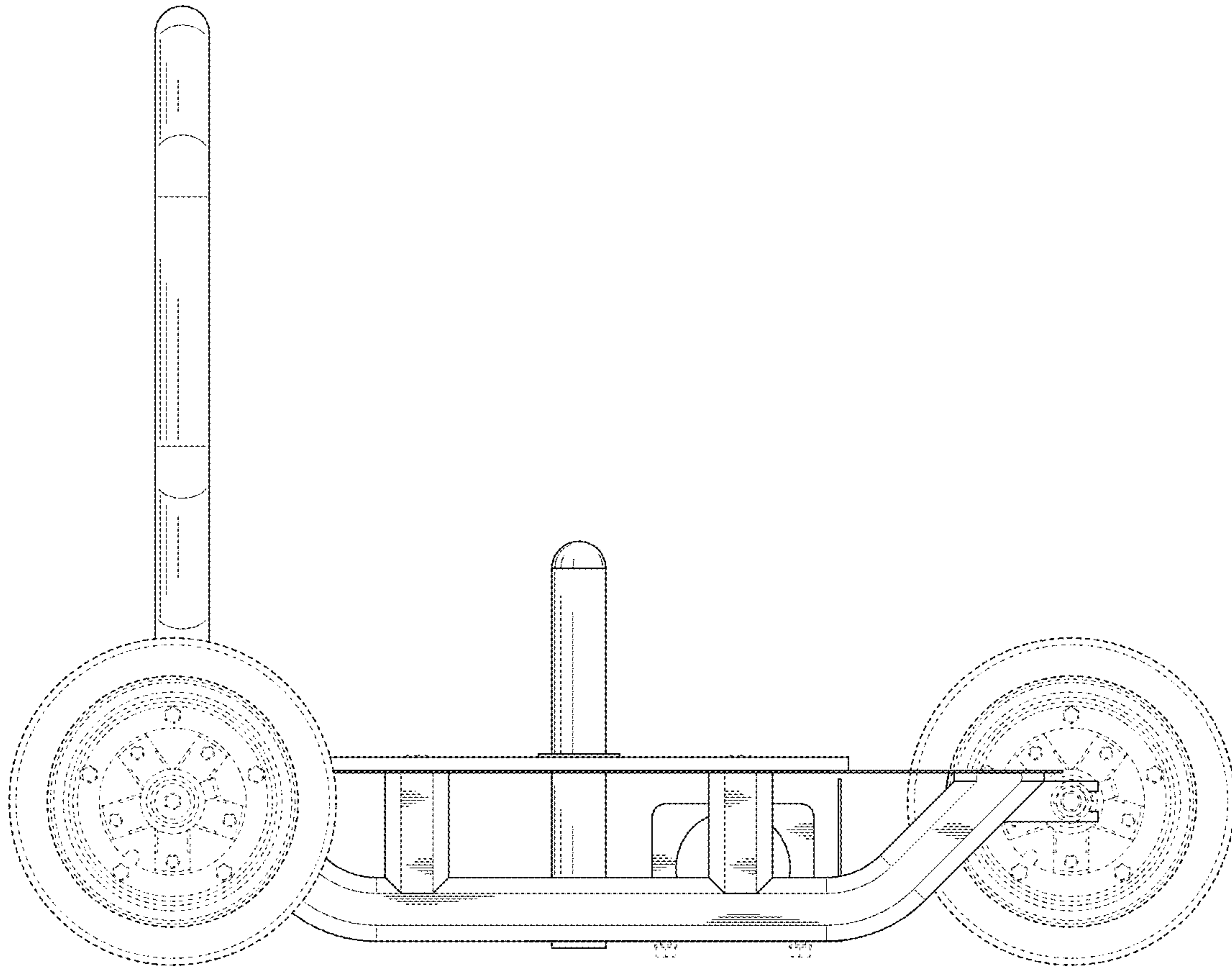


FIG. 6

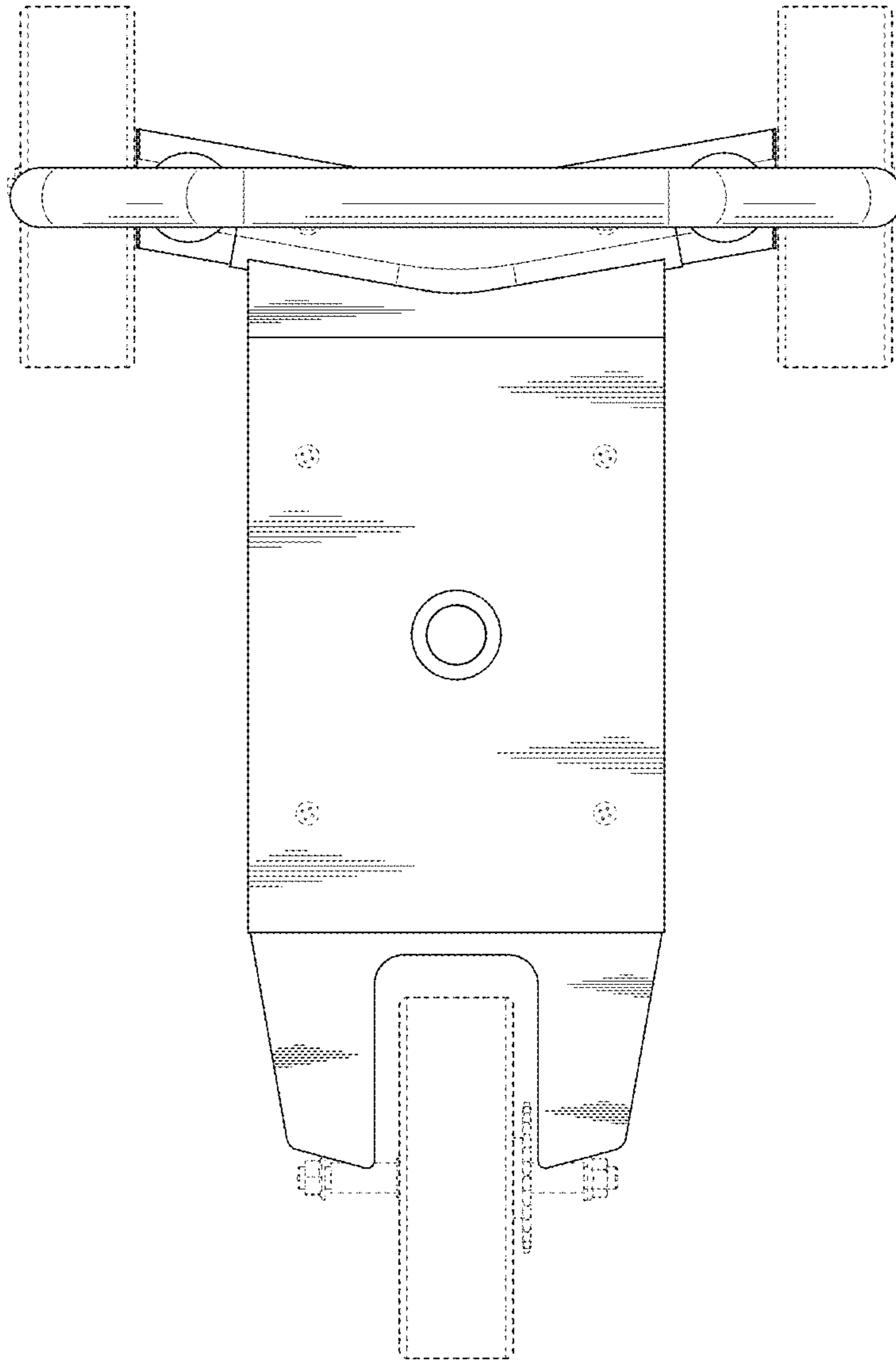


FIG. 7

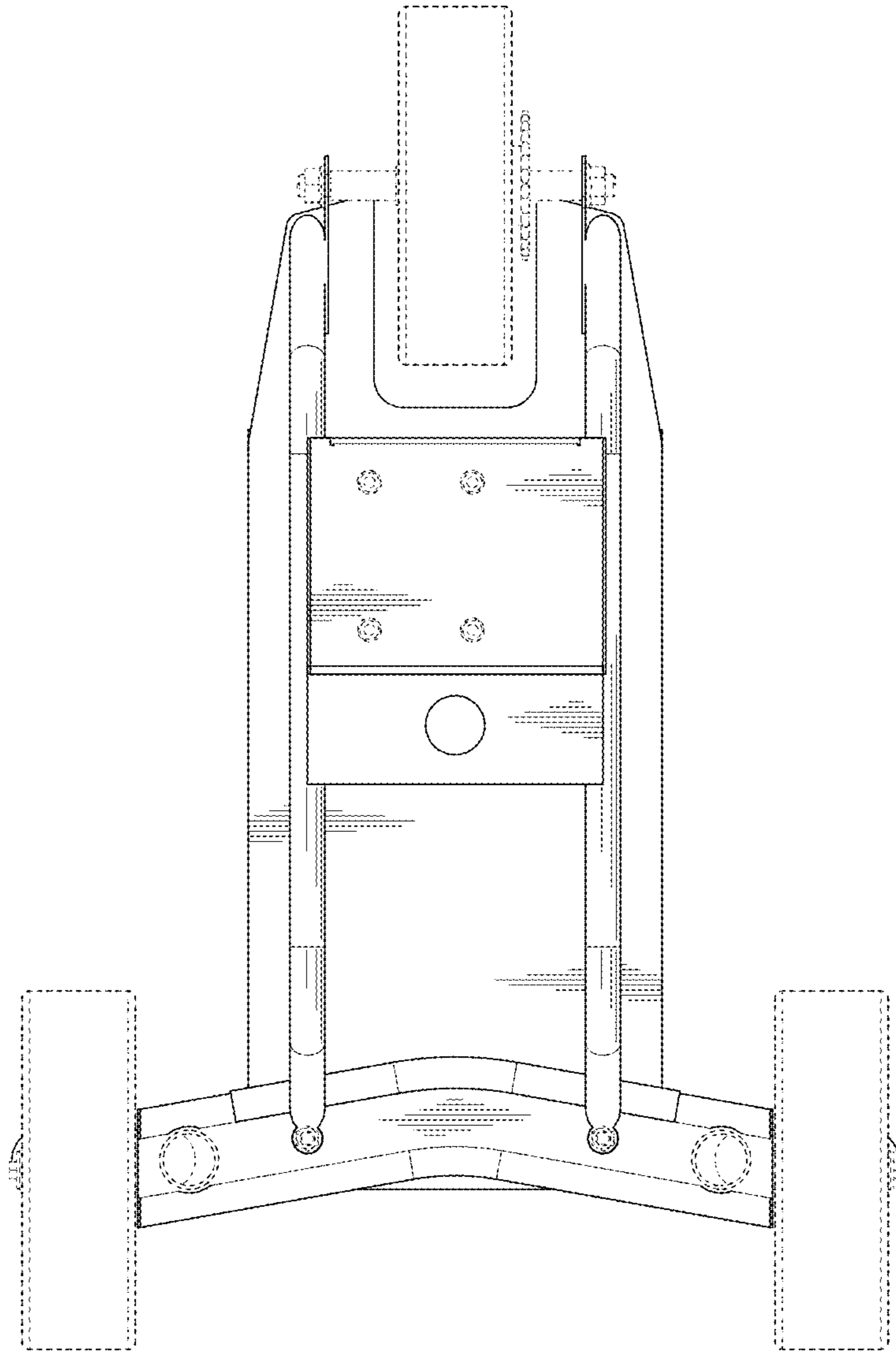


FIG. 8