



US00D895740S

(12) **United States Design Patent** (10) **Patent No.:** **US D895,740 S**
Lovegrove et al. (45) **Date of Patent:** **** Sep. 8, 2020**

(54) **SET OF WEIGHT PLATES**

(71) Applicant: **LES MILLS INTERNATIONAL LIMITED**, Auckland (NZ)

(72) Inventors: **David Neil Lovegrove**, Christchurch (NZ); **Ross Hughan Dawson**, Christchurch (NZ); **Carl Benjamin Menary**, Christchurch (NZ); **Darryl John Best**, Christchurch (NZ)

(73) Assignee: **LES MILLS INTERNATIONAL LIMITED**, Auckland (NZ)

(**) Term: **15 Years**

(21) Appl. No.: **29/644,676**

(22) Filed: **Apr. 19, 2018**

(30) **Foreign Application Priority Data**

Oct. 24, 2017 (NZ) 423625

(51) **LOC (12) Cl.** **21-02**

(52) **U.S. Cl.**
USPC **D21/680**

(58) **Field of Classification Search**
USPC D21/680, 682, 681, 686, 662, 692, 689,
D21/687, 684, 679, 678, 671; 482/108,
(Continued)

(56) **References Cited**

U.S. PATENT DOCUMENTS

1,333,005 A 3/1920 Warner
1,623,869 A 4/1927 Giraldi
(Continued)

Primary Examiner — Ryan Harvey

(74) *Attorney, Agent, or Firm* — Kilpatrick Townsend & Stockton LLP

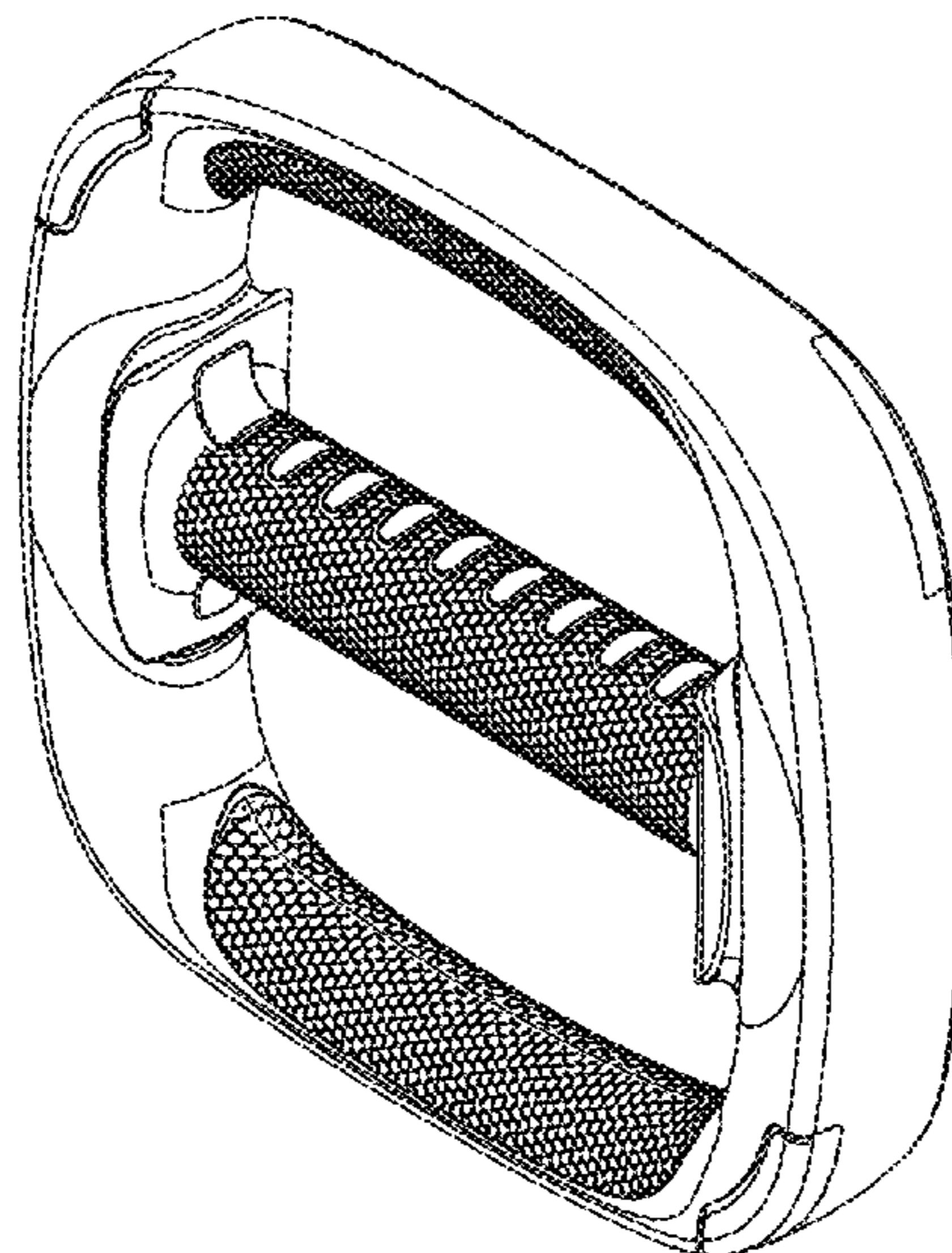
(57) **CLAIM**

The ornamental design for a set of weight plates, as shown and described.

DESCRIPTION

FIG. 1 is a top perspective view of a first embodiment of a weight plate showing the new design;
FIG. 2 is a bottom perspective view thereof;
FIG. 3 is a front view thereof;
FIG. 4 is a side view thereof;
FIG. 5 is a top view thereof;
FIG. 6 is a top perspective view of a second embodiment of a weight plate;
FIG. 7 is a bottom perspective view thereof;
FIG. 8 is a front view thereof;
FIG. 9 is a side view thereof;
FIG. 10 is a top view thereof;
FIG. 11 is a top perspective view of a third embodiment of a weight plate;
FIG. 12 is a bottom perspective view thereof;
FIG. 13 is a front view thereof;
FIG. 14 is a side view thereof;
FIG. 15 is a top view thereof;
FIG. 16 is a top perspective view of a fourth embodiment of a weight plate;
FIG. 17 is a bottom perspective view thereof;
FIG. 18 is a front view thereof;
FIG. 19 is a side view thereof;
FIG. 20 is a top view thereof;
FIG. 21 is a top perspective view of a fifth embodiment of a weight plate;
FIG. 22 is a bottom perspective view thereof;
FIG. 23 is a front view thereof;
FIG. 24 is a side view thereof;
FIG. 25 is a top view thereof;
FIG. 26 is a top perspective view of a sixth embodiment of a weight plate;
FIG. 27 is a bottom perspective view thereof;
FIG. 28 is a front view thereof;
FIG. 29 is a side view thereof; and,
FIG. 30 is a top view thereof.

1 Claim, 30 Drawing Sheets



(58) **Field of Classification Search**
 USPC 482/109, 106, 93, 107, 98, 91, 139, 104,
 482/44, 55, 51, 47, 45, 49, 141; D30/160
 CPC . A63B 21/072; A63B 21/075; A63B 21/4035;
 A63B 21/0726; A63B 21/0602; A63B
 21/0728; A63B 21/0004; A63B 21/00065;
 A63B 21/4043; A63B 23/1236; A63B
 21/06; A63B 21/0601; A63B 21/0084;
 A63B 21/0724; A63B 23/03508
 See application file for complete search history.

(56) **References Cited**

U.S. PATENT DOCUMENTS

D244,628 S	6/1977	Wright	6,652,420 B2	11/2003	Chen	
4,029,312 A	6/1977	Wright	6,702,723 B2	3/2004	Landfair	
D274,283 S	6/1984	Wright	6,736,765 B2	5/2004	Wallace	
4,618,143 A	10/1986	Twardosz	6,746,380 B2	6/2004	Lien	
4,632,391 A	12/1986	Orak	6,991,590 B2	1/2006	Vigiano	
4,822,035 A	4/1989	Jennings et al.	7,014,598 B2	3/2006	Fenelon	
D301,510 S *	6/1989	Orak D21/684	7,094,182 B1	8/2006	Holten	
D302,195 S	7/1989	Orak	D532,465 S	11/2006	Mills	
4,854,575 A	8/1989	Wilson et al.	7,207,929 B2	4/2007	Hamilton	
D307,168 S	4/1990	Vodhanel	D566,207 S	4/2008	Cao	
4,973,284 A	11/1990	Sassak	D566,208 S	4/2008	Alessandri	
D327,307 S	6/1992	Mojden	D575,361 S	8/2008	Davis	
D350,977 S	9/1994	Lewis	7,491,155 B2	2/2009	Fenelon	
5,692,944 A	12/1997	Pellicone	7,785,240 B2	8/2010	Stugart	
5,692,996 A	12/1997	Widerman	7,878,952 B2	2/2011	Fenelon	
5,853,355 A	12/1998	Standish	D647,580 S *	10/2011	Cen D21/662	
D428,947 S	8/2000	Harms	D658,729 S *	5/2012	McLoughney D21/682	
D438,265 S	2/2001	Fenelon	D662,558 S	6/2012	Lovegrove	
D442,240 S	5/2001	Rojas	9,138,610 B2	9/2015	Lovegrove et al.	
D445,854 S	7/2001	Harms	2002/0010059 A1	1/2002	Selsam	
D450,361 S	11/2001	Harms	2003/0083179 A1	5/2003	Landfair	
6,436,015 B1	8/2002	Frasco	2004/0077466 A1	4/2004	Wallace	
D462,729 S	9/2002	Lawson	2004/0092370 A1	5/2004	Lincir	
6,461,282 B1	10/2002	Fenelon	2004/0166997 A1	8/2004	Vigiano	
D469,484 S	1/2003	Dawson	2005/0096200 A1	5/2005	Amann	
D474,517 S	5/2003	Harms	2005/0202942 A1	9/2005	De Lano	
D480,438 S	10/2003	Walkow	2006/0003874 A1	1/2006	Hamilton	
			2006/0073948 A1	4/2006	Lincir	
			2006/0073951 A1 *	4/2006	Walkow A63B 21/0601 482/109	
			2006/0217244 A1	9/2006	Hudson	
			2006/0293155 A1	12/2006	Hamilton	
			2007/0135271 A1	6/2007	Lien	
			2007/0155593 A1	7/2007	Lien	
			2007/0184943 A1	8/2007	Davies	
			2008/0113851 A1	5/2008	Lien	
			2009/0156376 A1	6/2009	Fenelon	
			2014/0038795 A1 *	2/2014	Sassano A63B 23/02 482/141	
			2014/0249001 A1 *	9/2014	Malvezzi A63B 21/072 482/93	

* cited by examiner

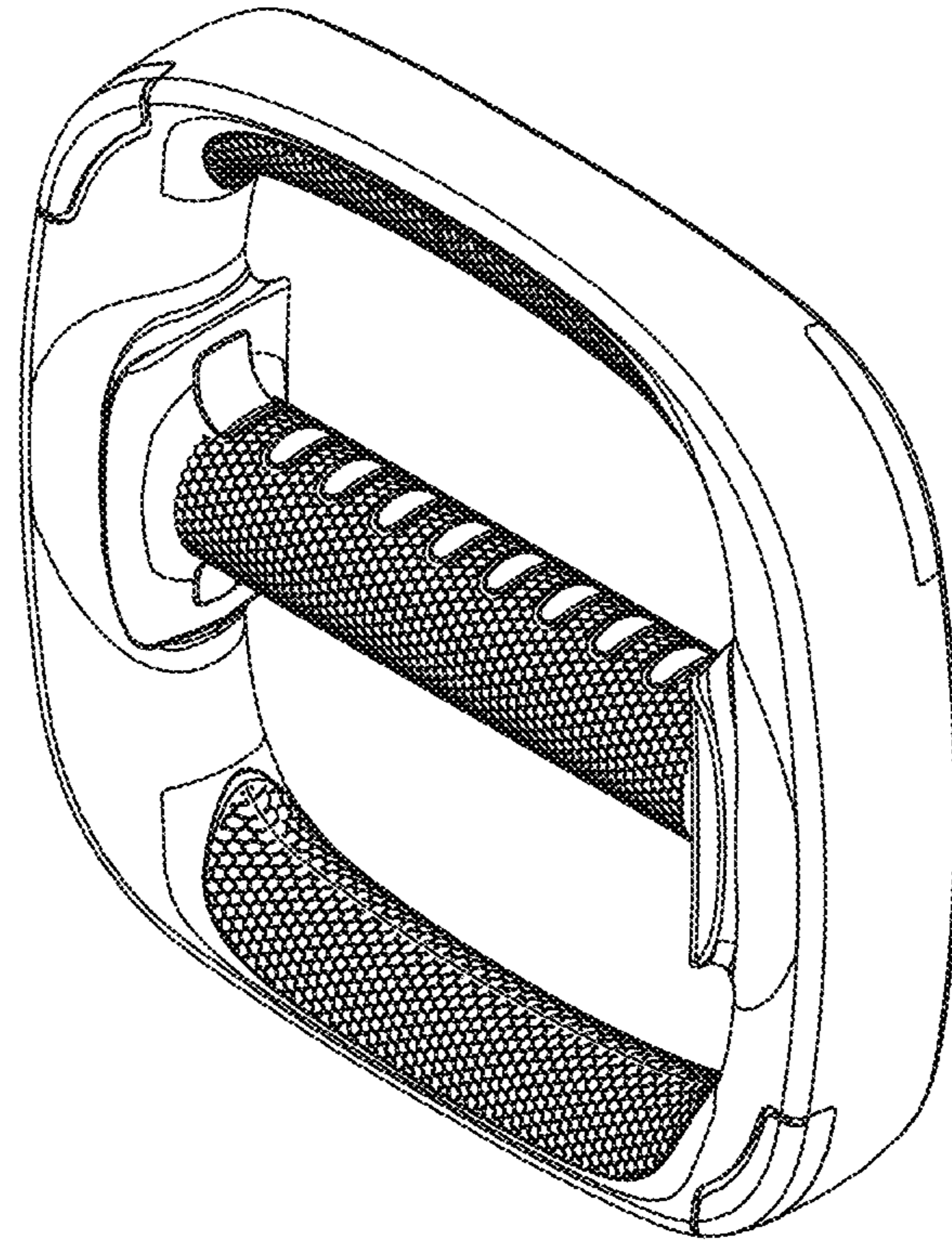


FIG. 1

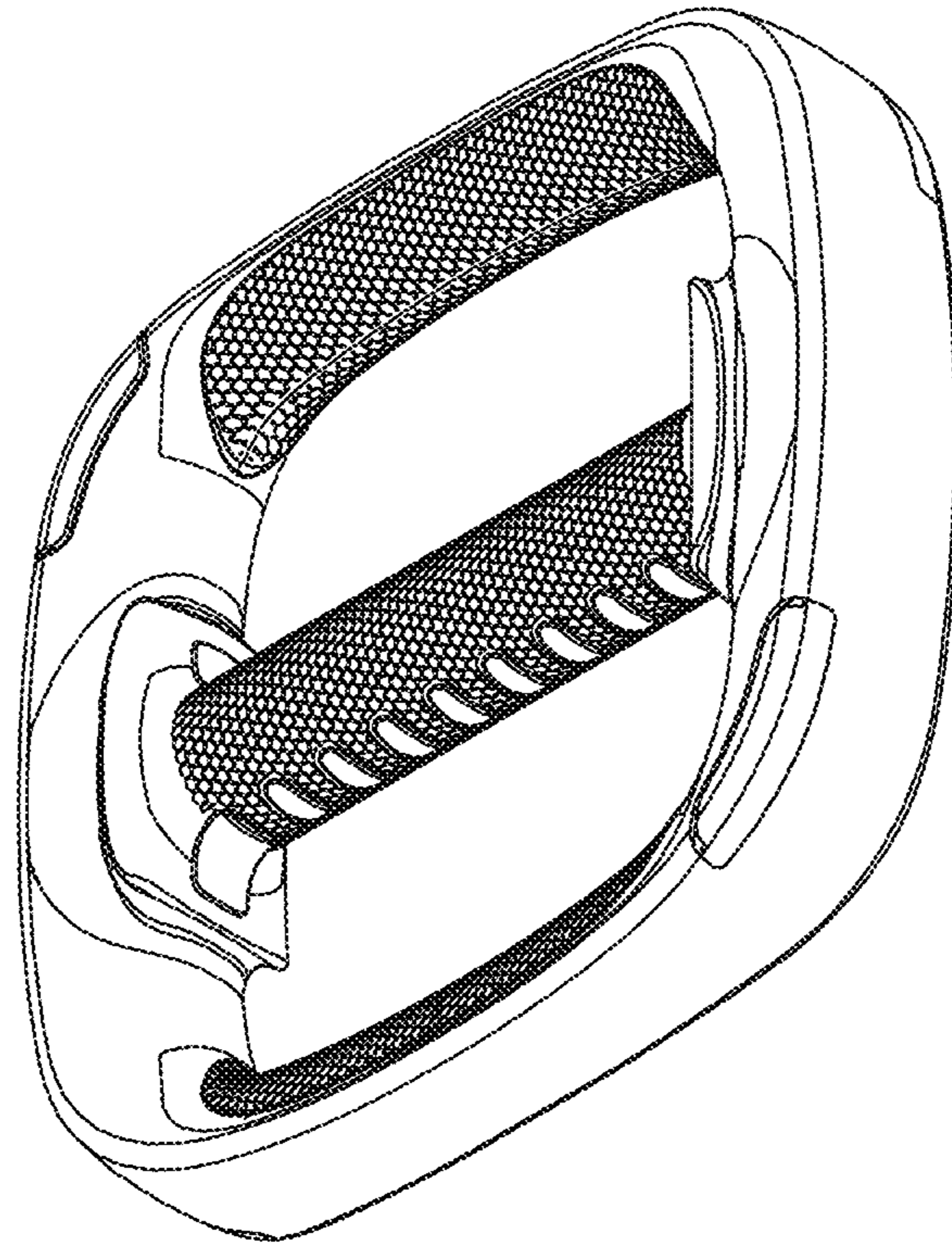


FIG. 2

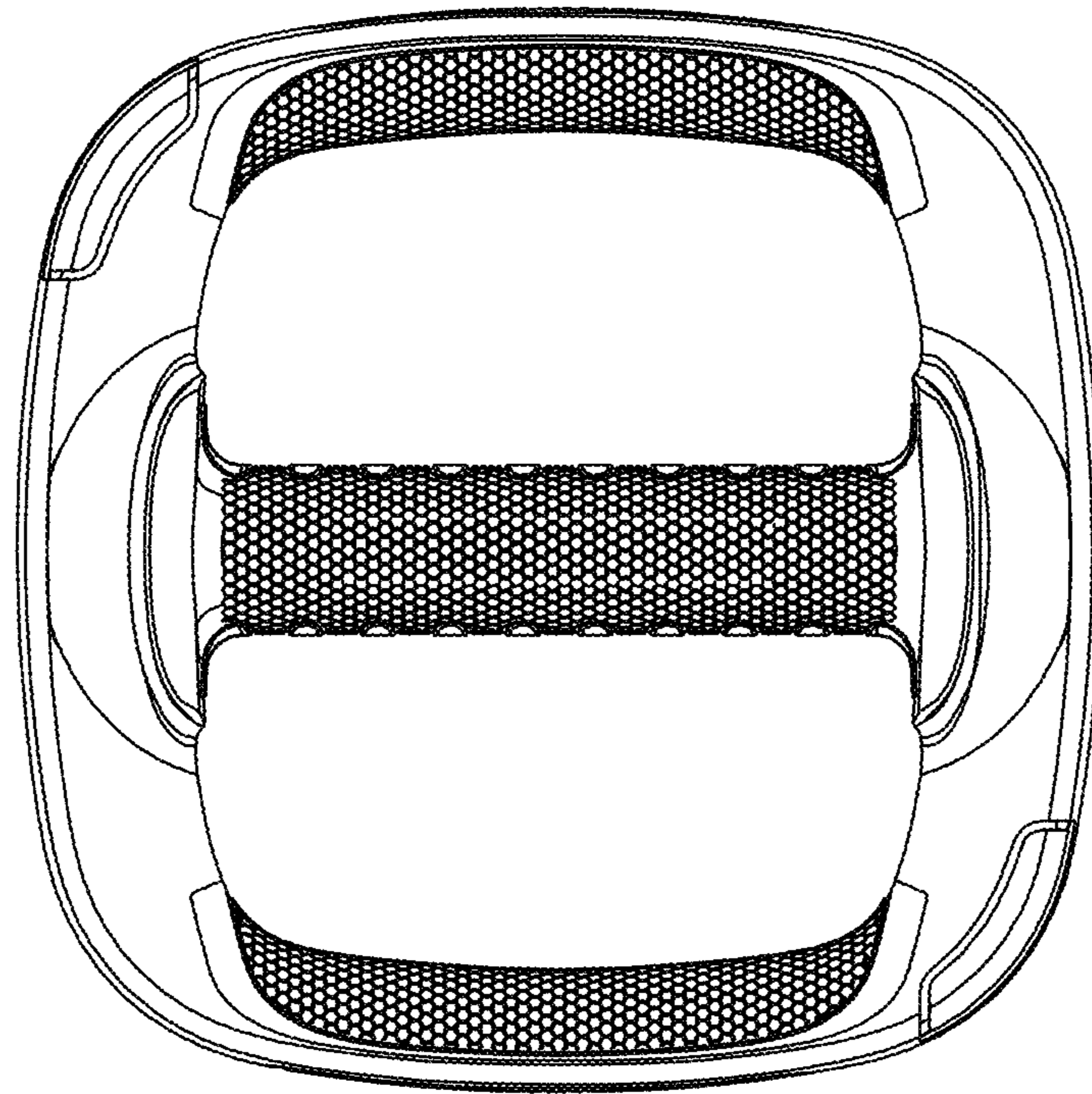


FIG. 3

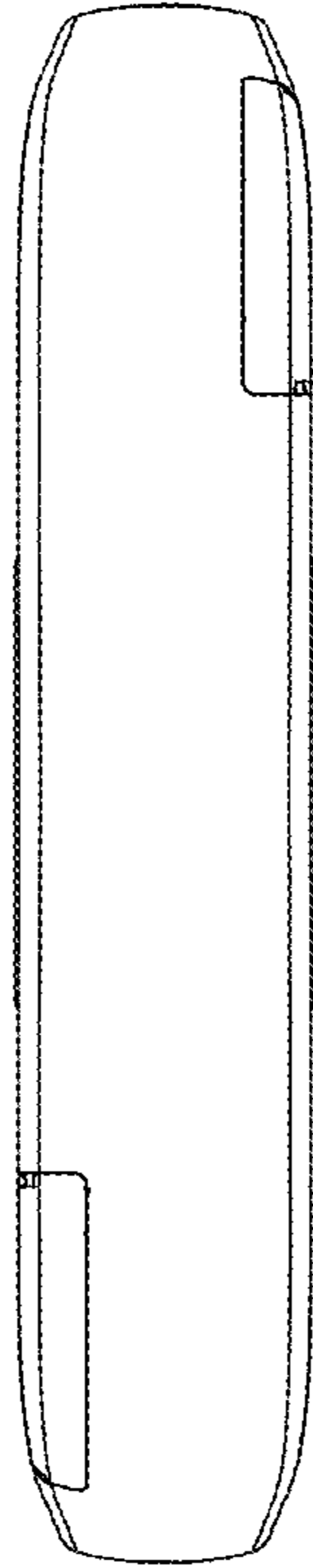


FIG. 4

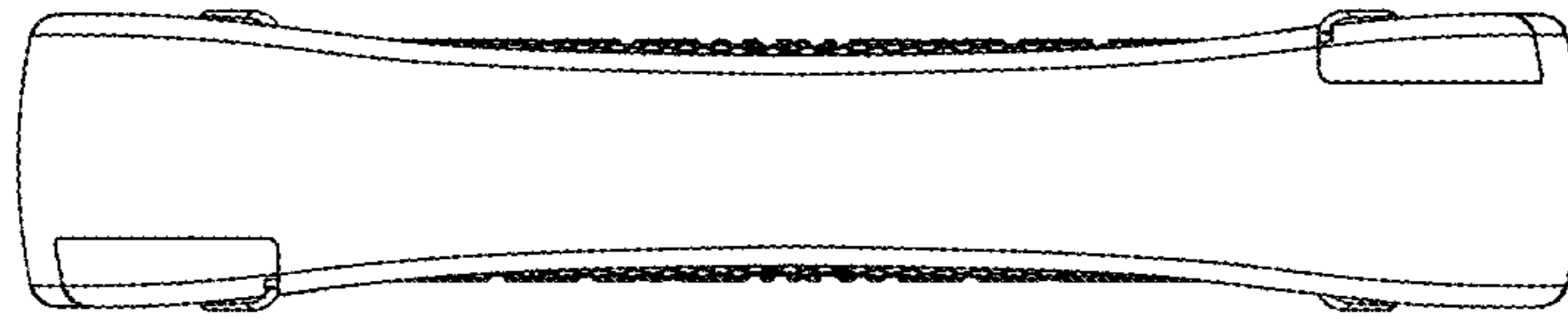


FIG. 5

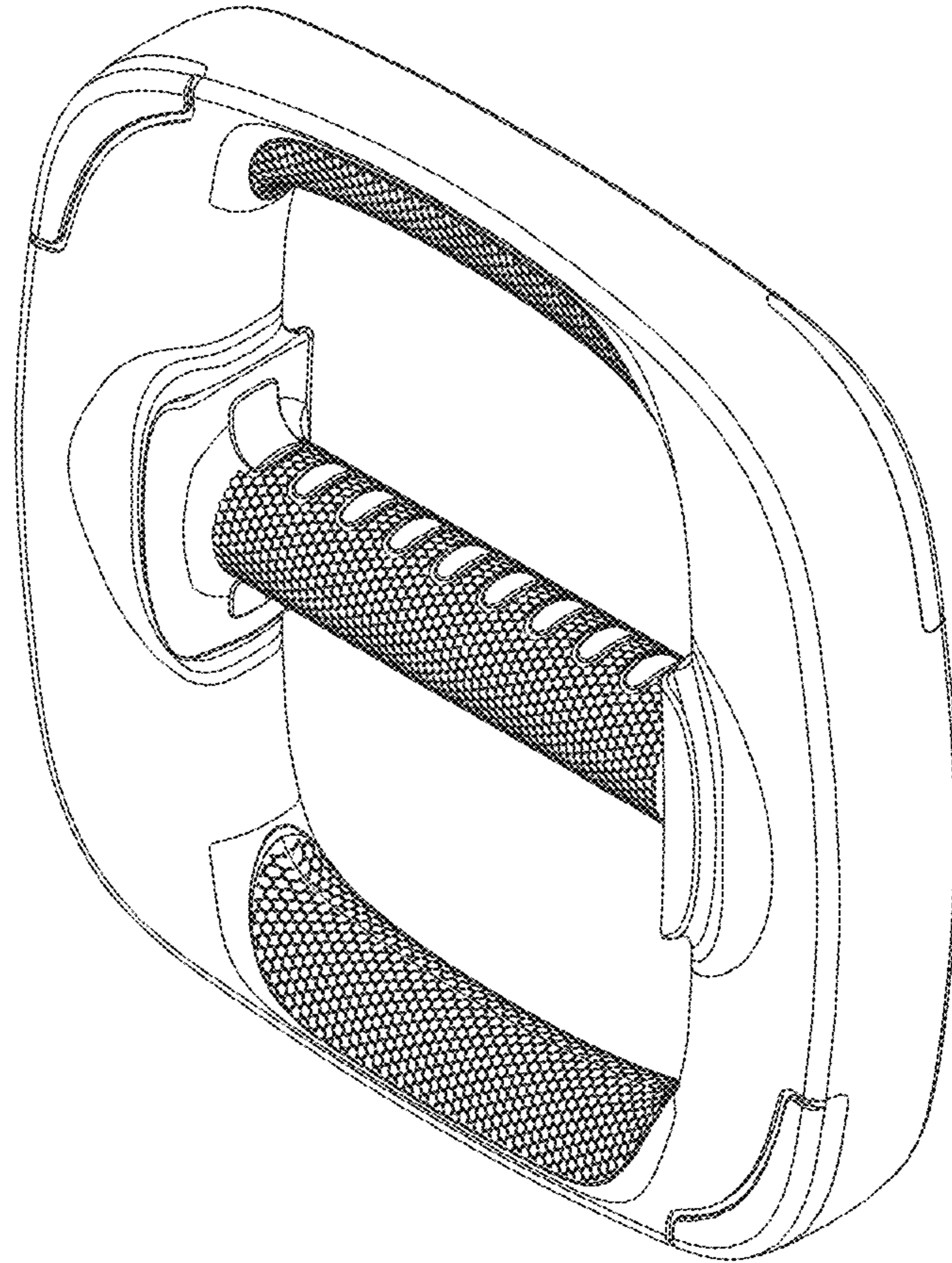


FIG. 6

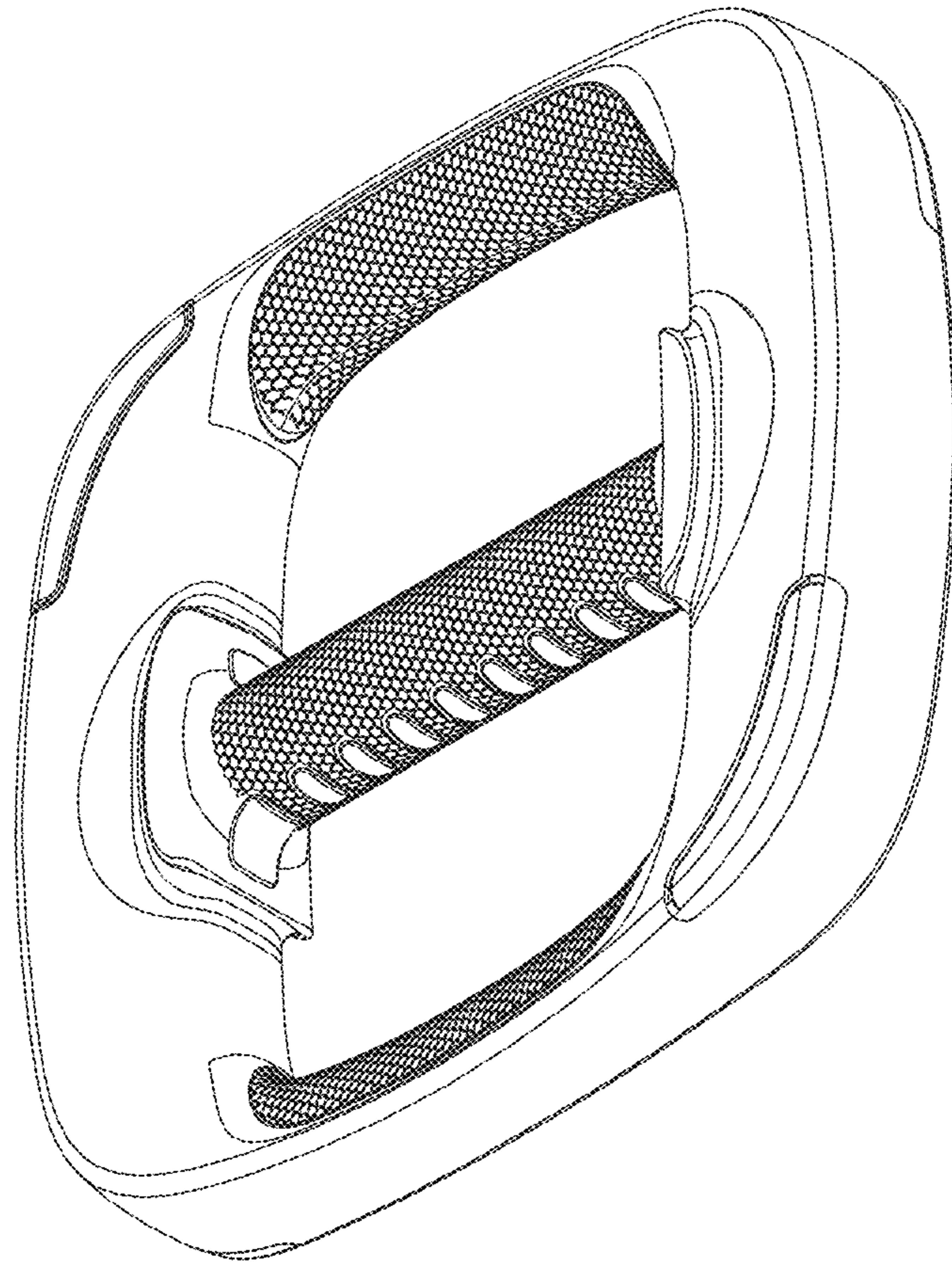


FIG. 7

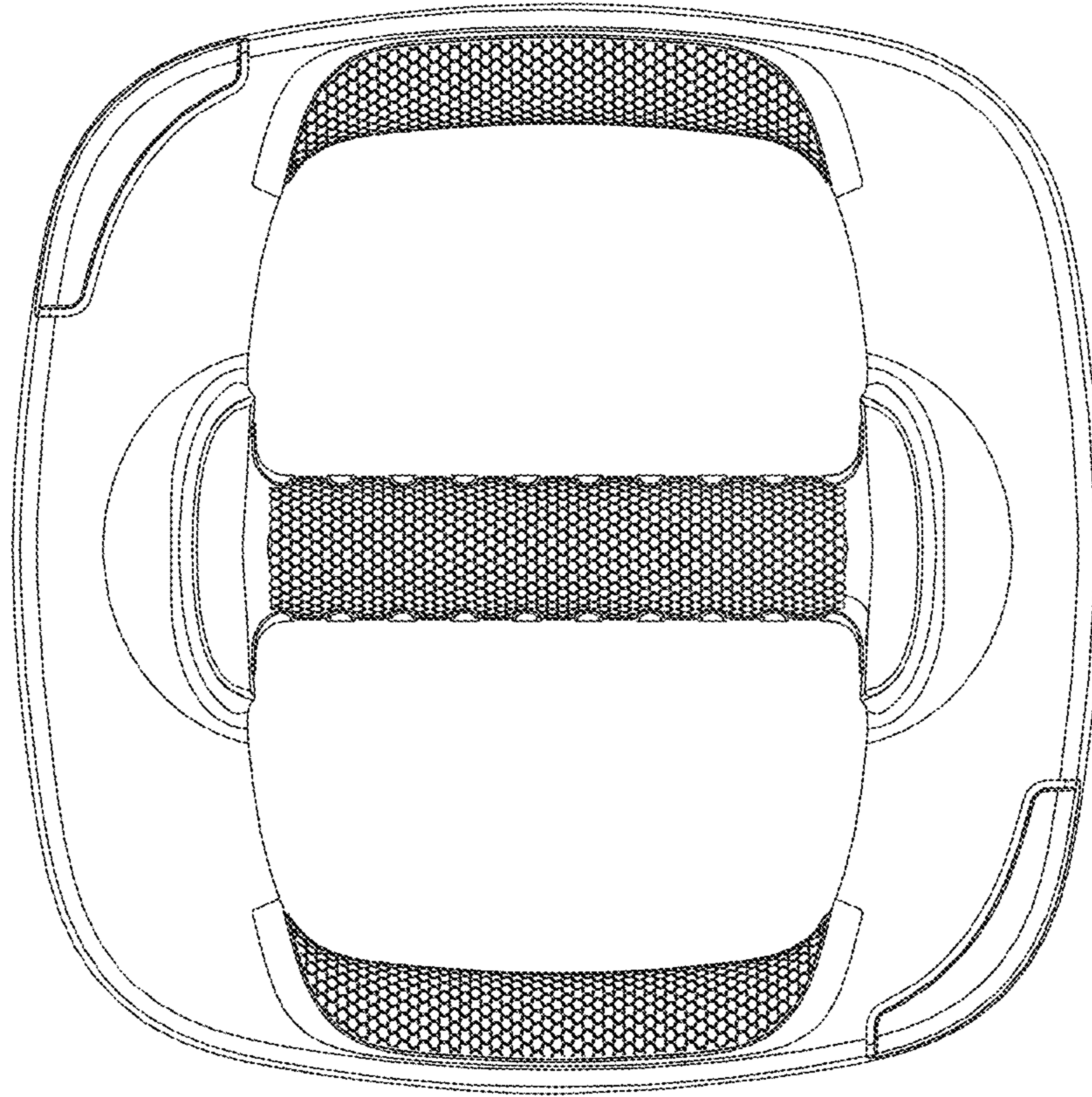


FIG. 8

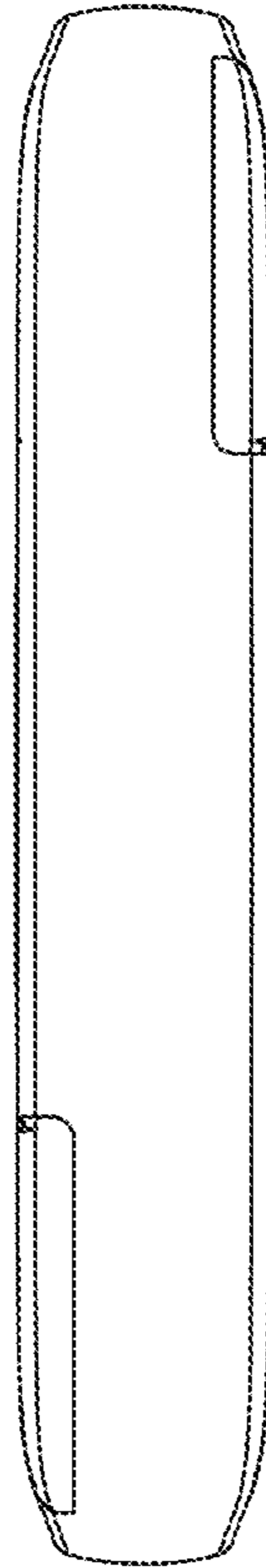


FIG. 9

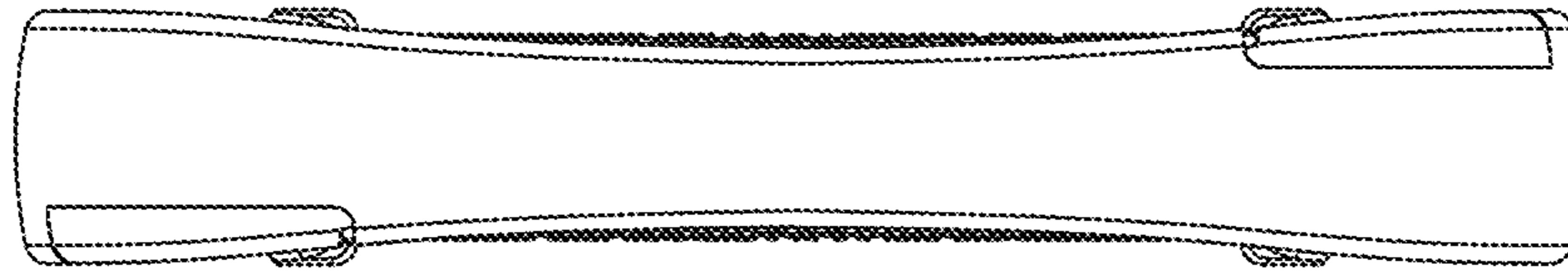


FIG. 10

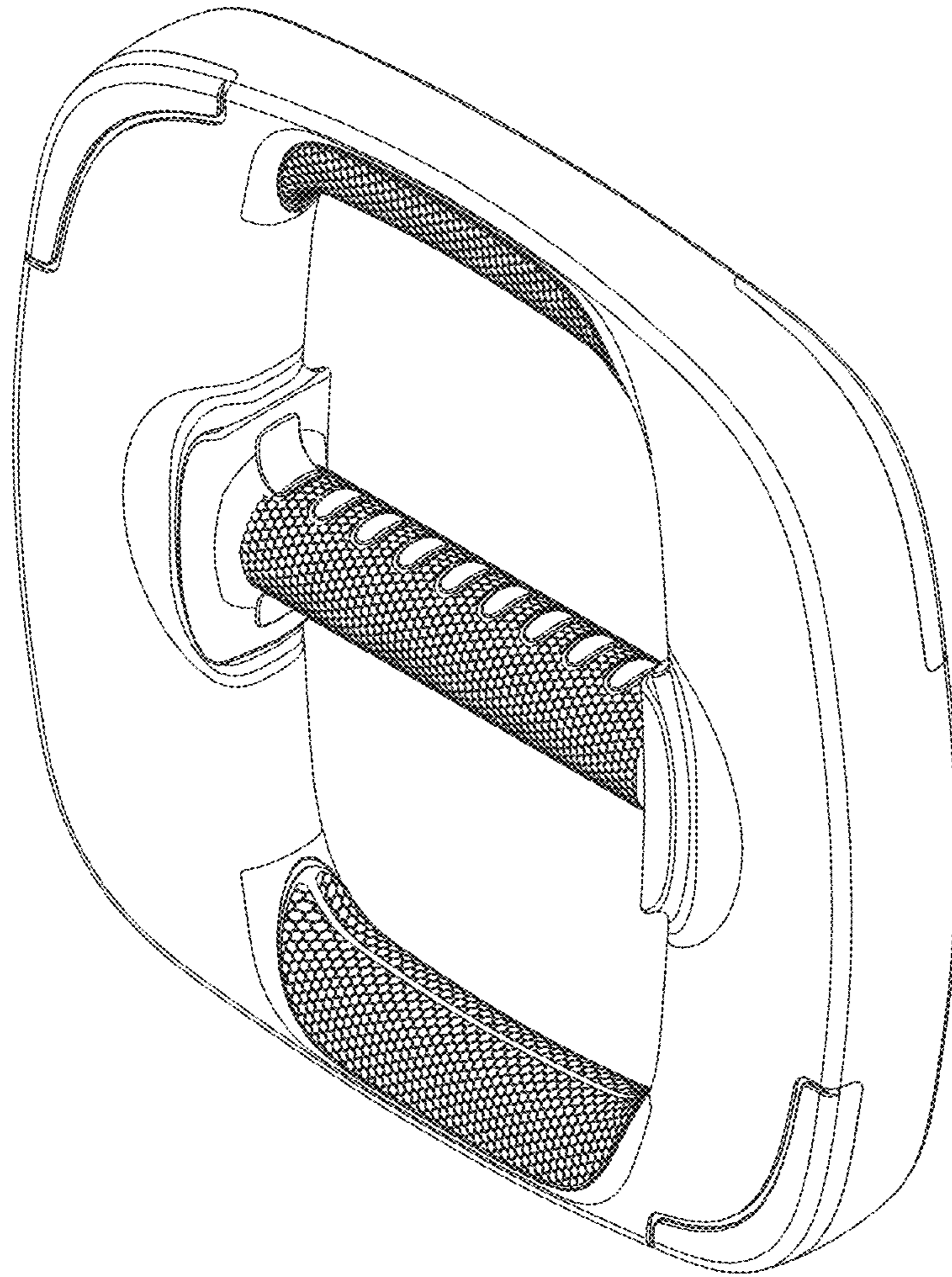


FIG. 11

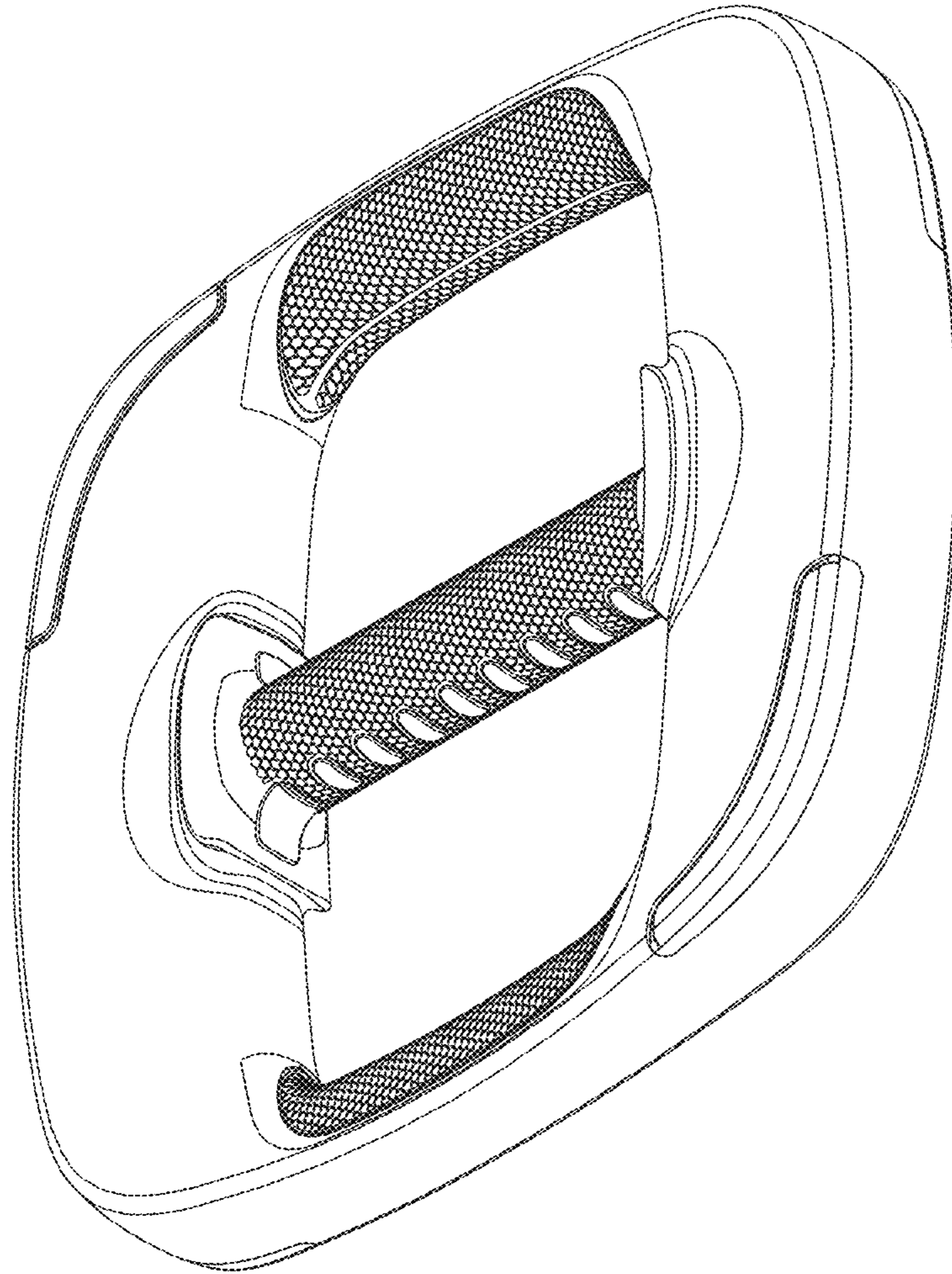


FIG. 12

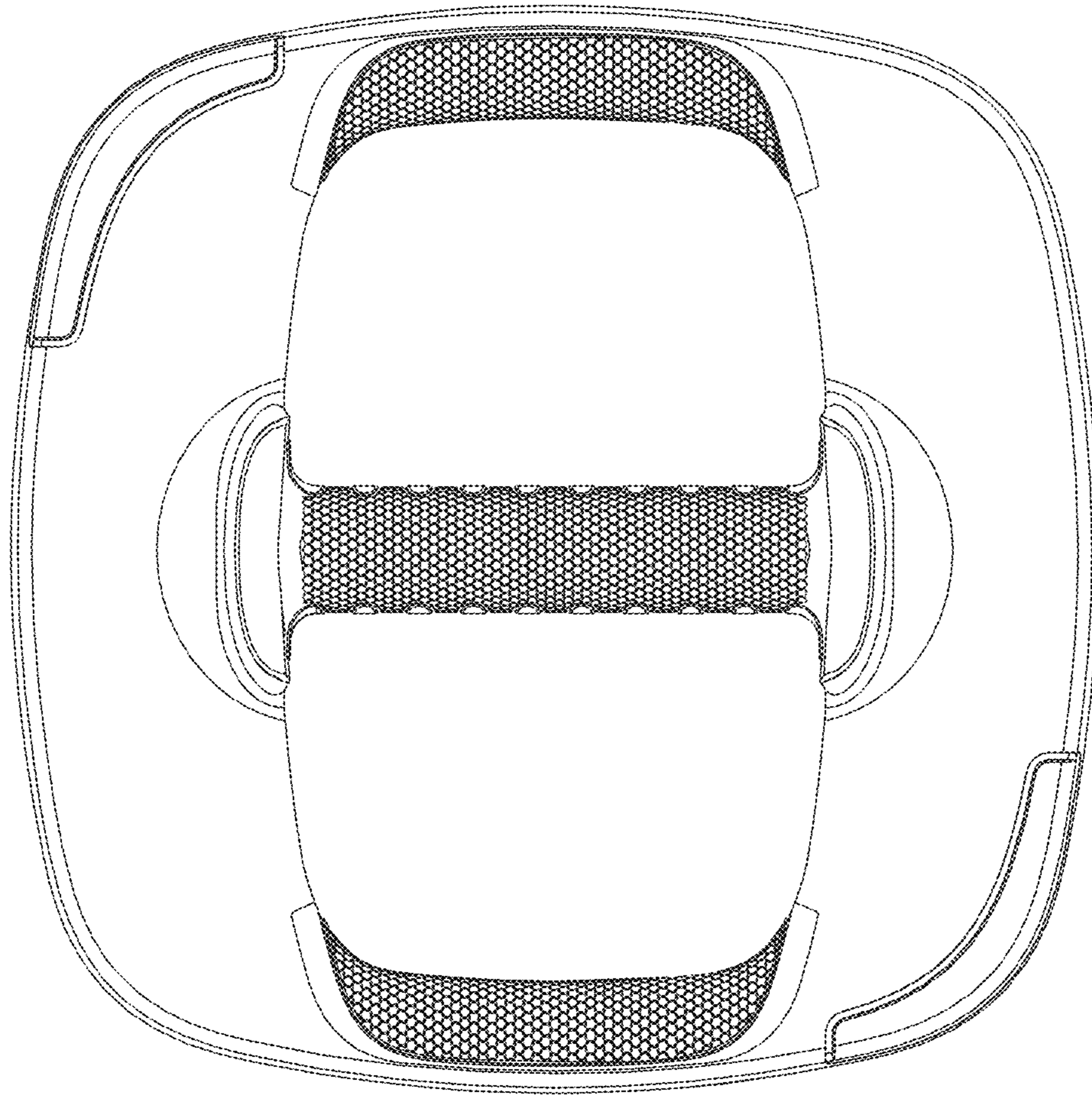


FIG. 13

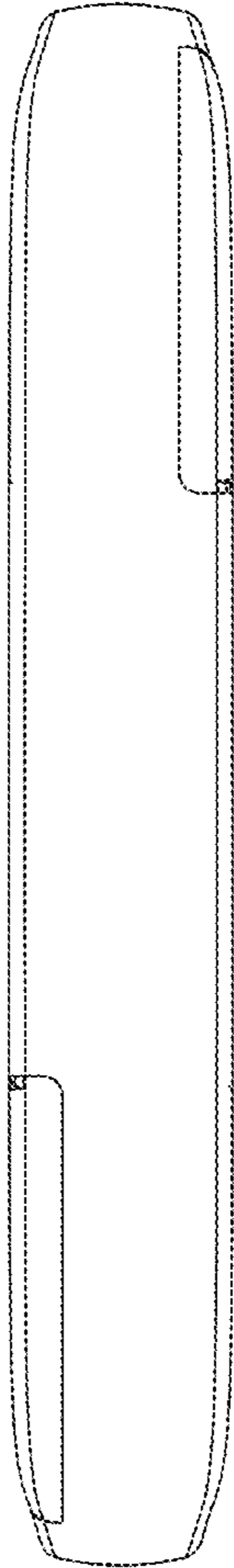


FIG. 14

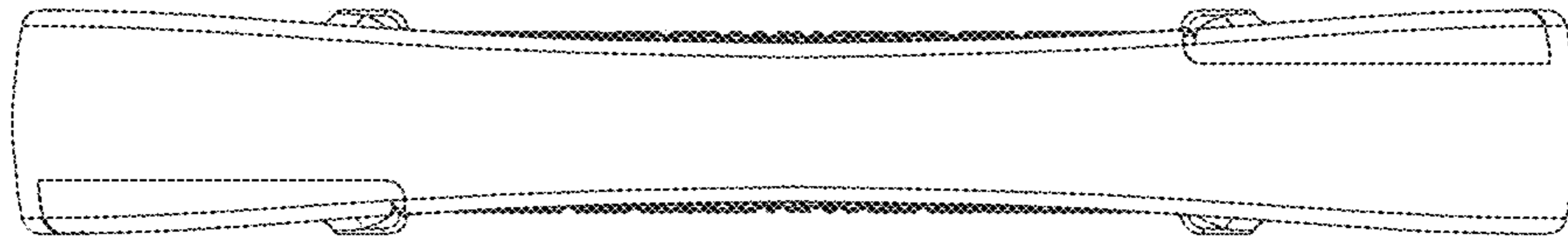


FIG. 15

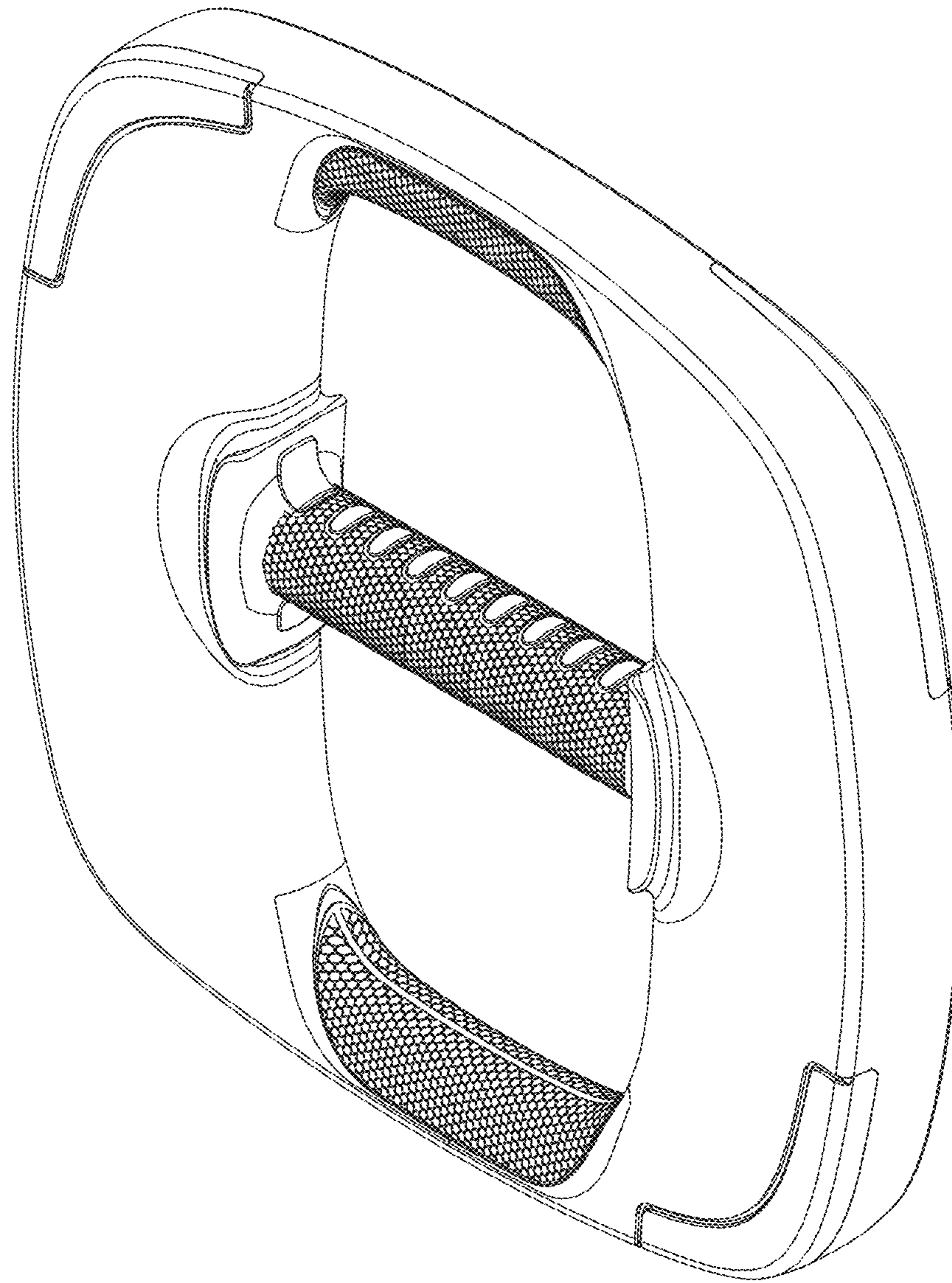


FIG. 16

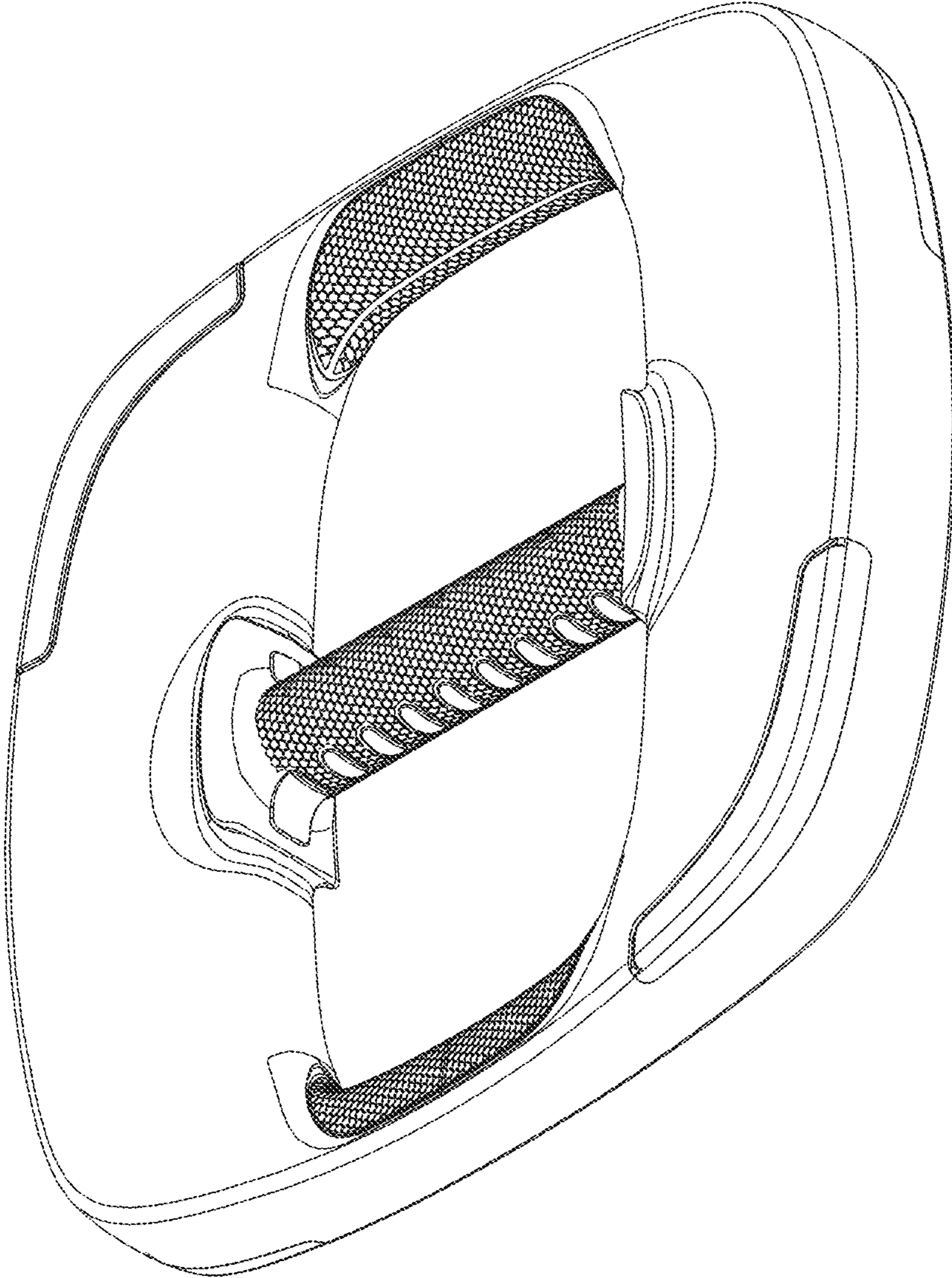


FIG. 17

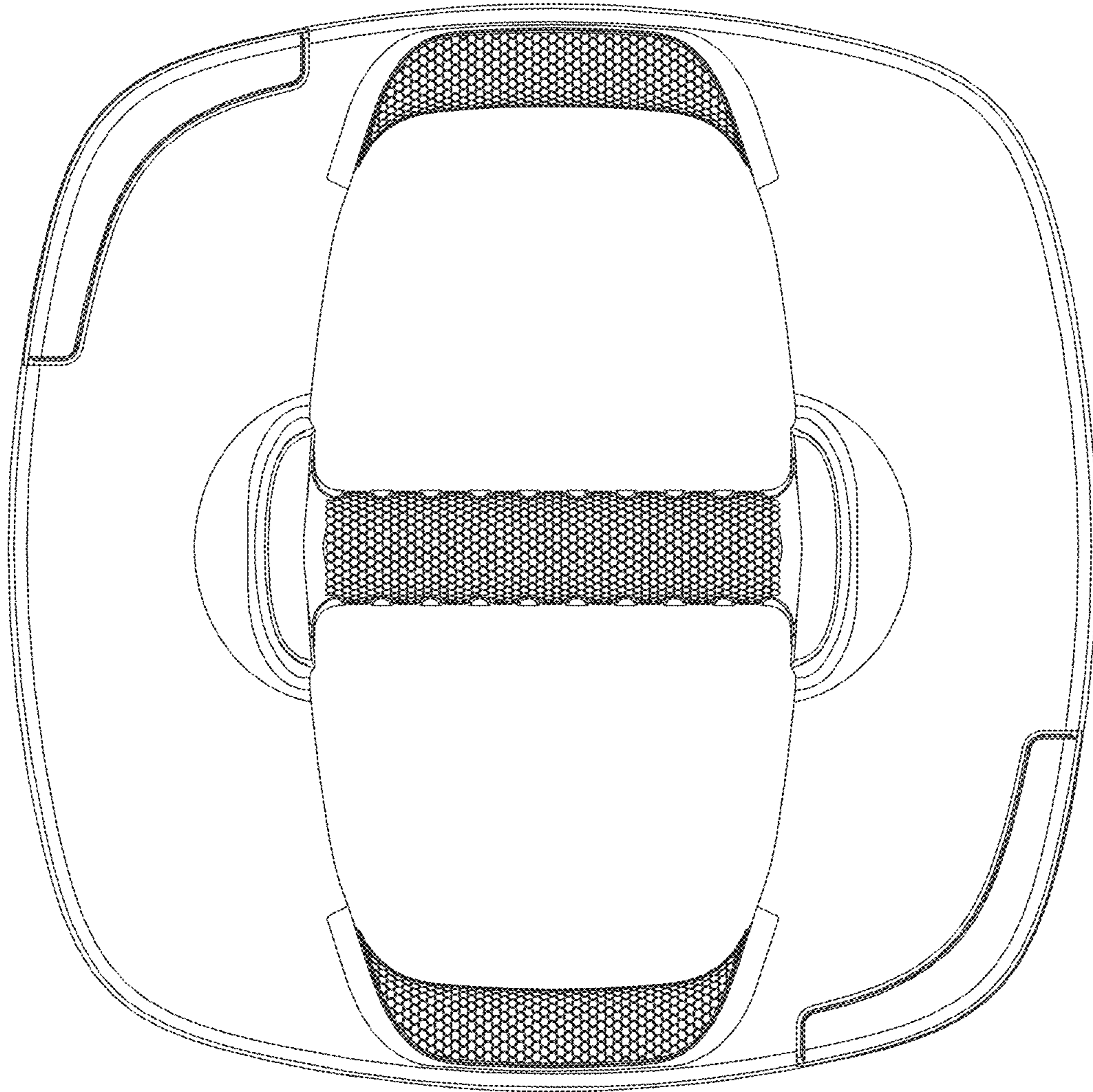


FIG. 18



FIG. 19

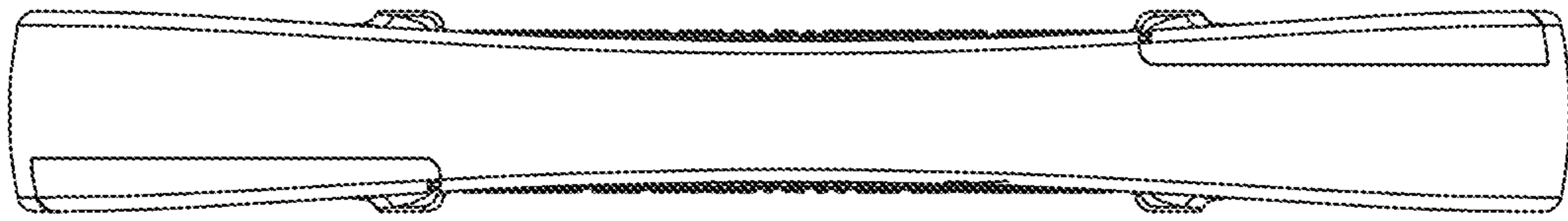


FIG. 20

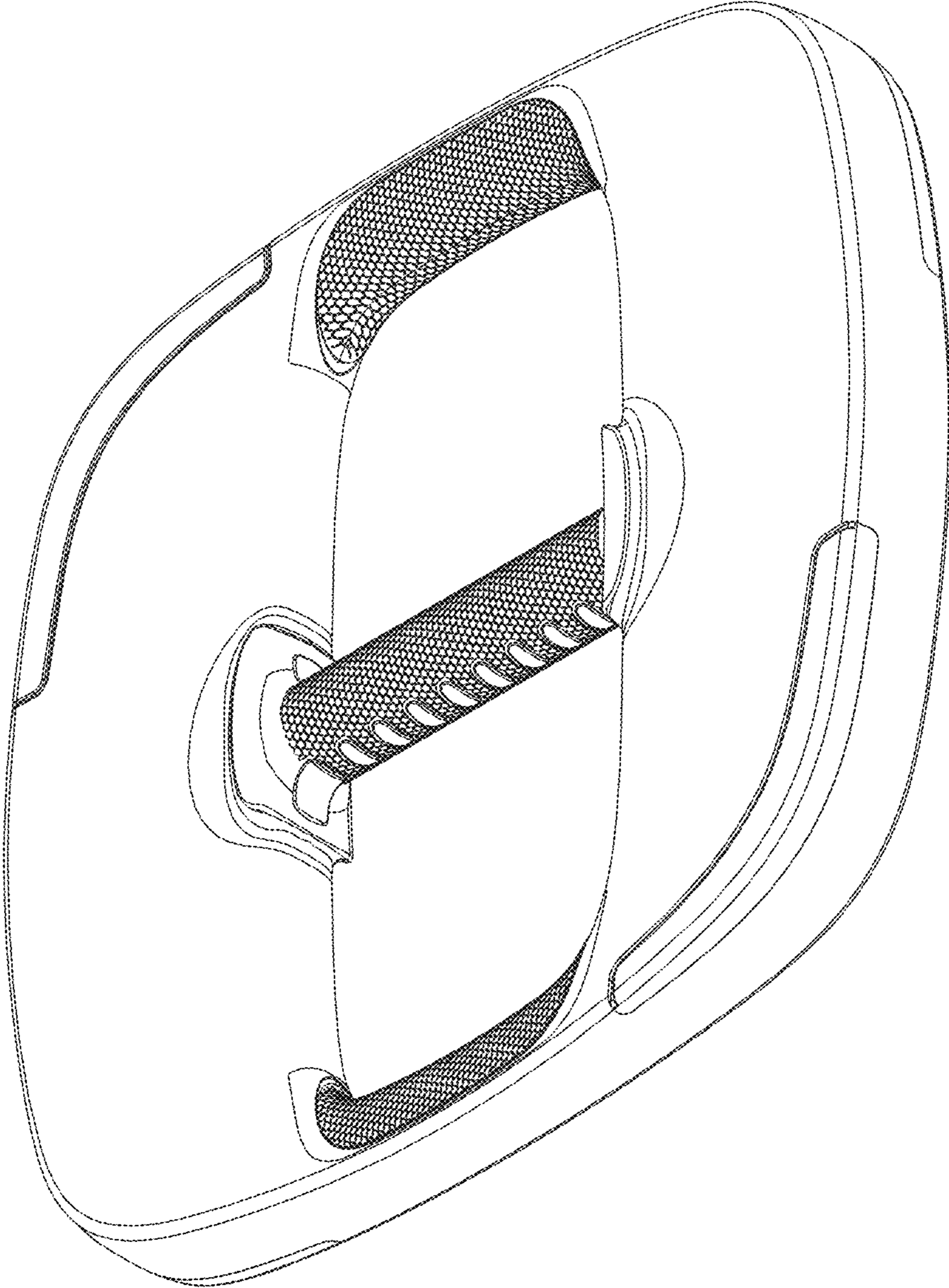


FIG. 21

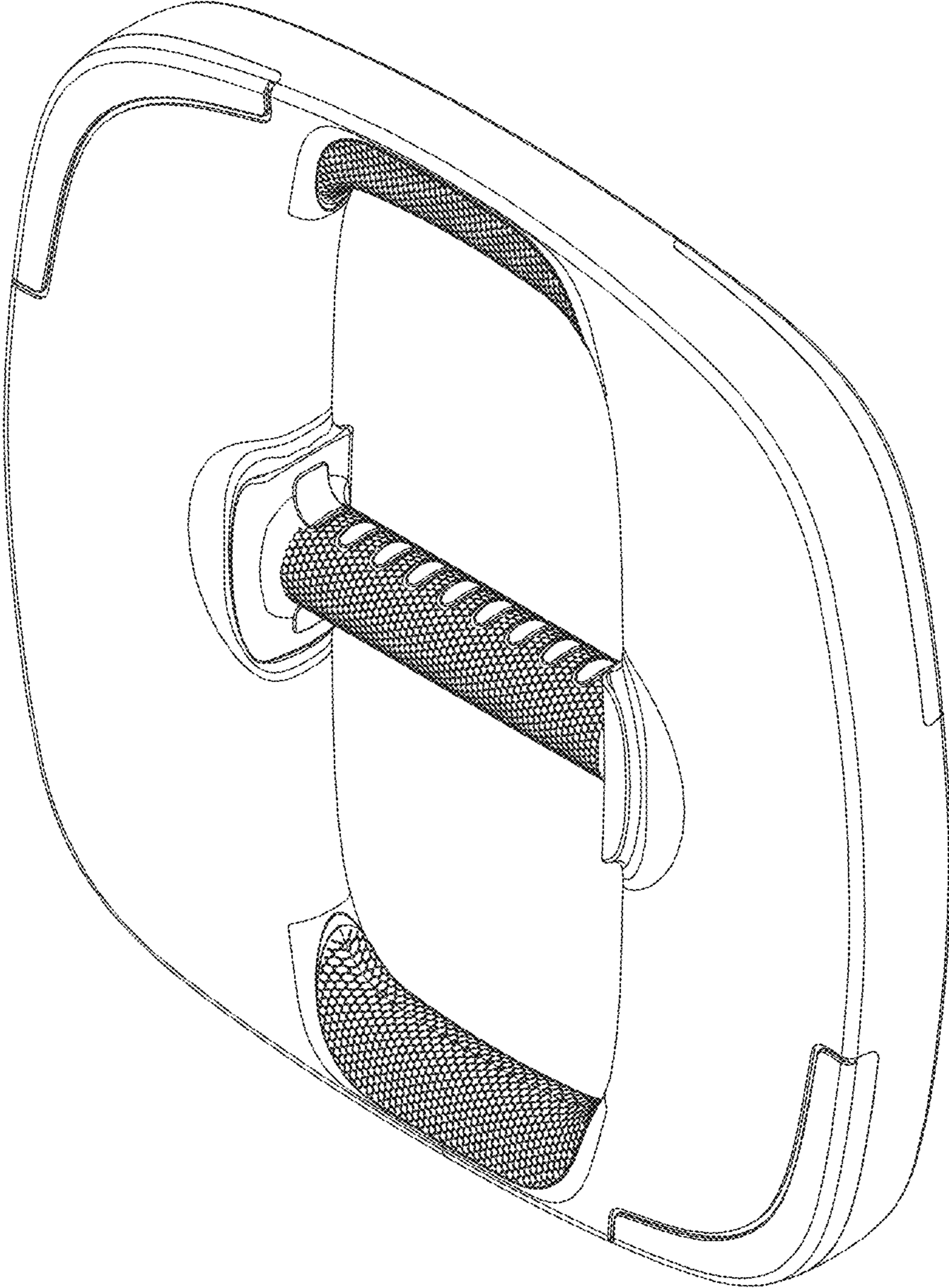


FIG. 22

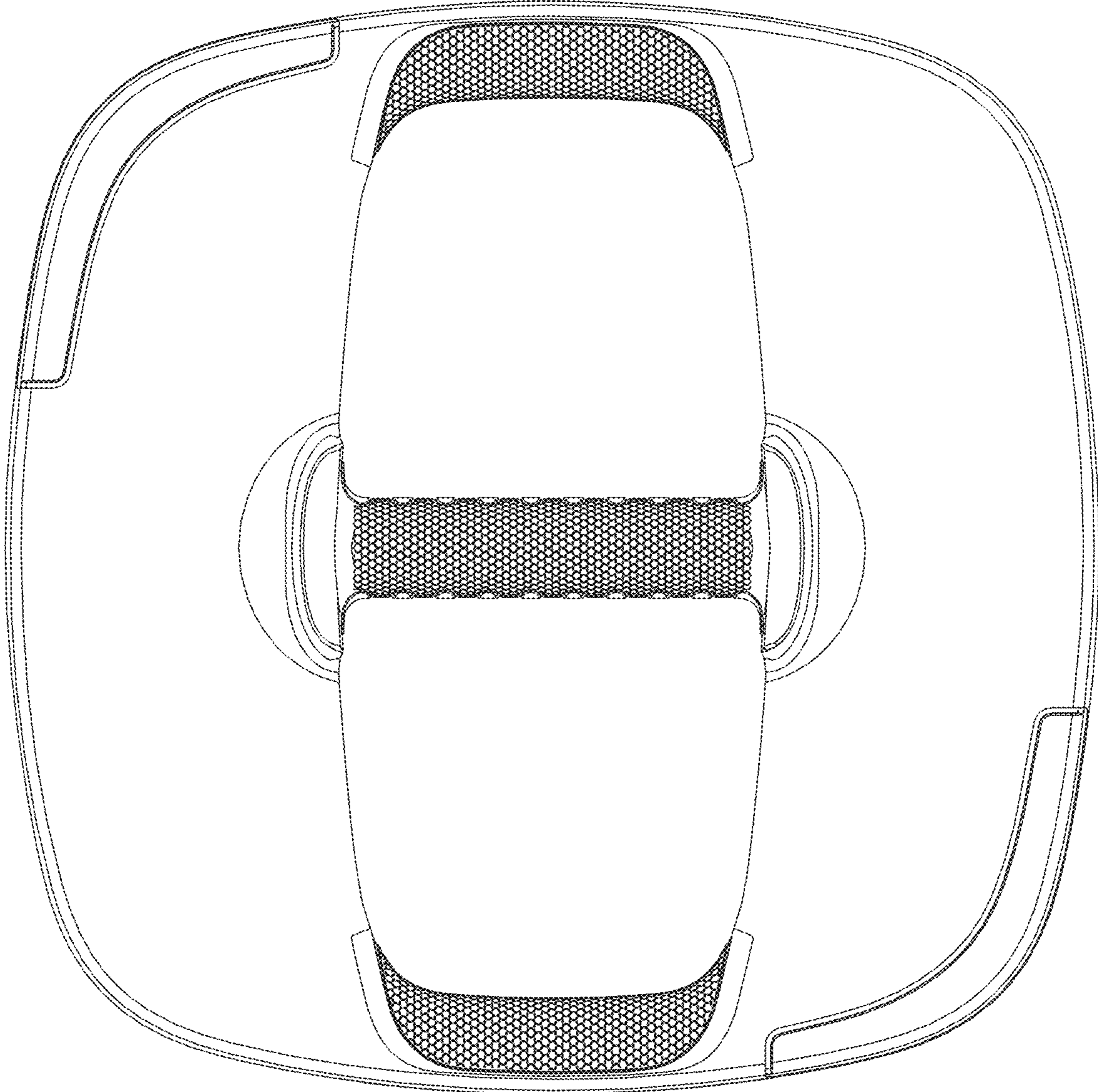


FIG. 23

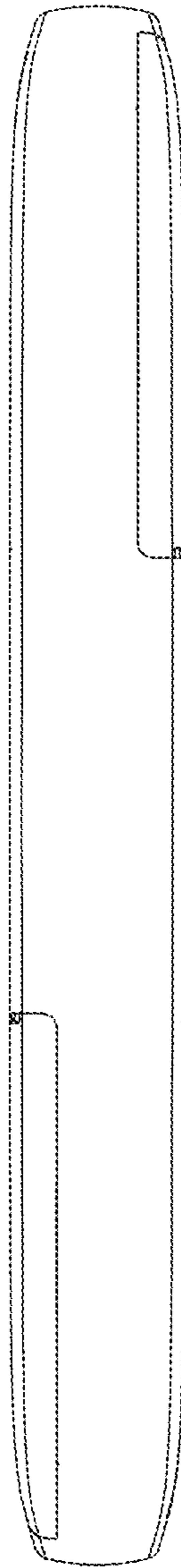


FIG. 24

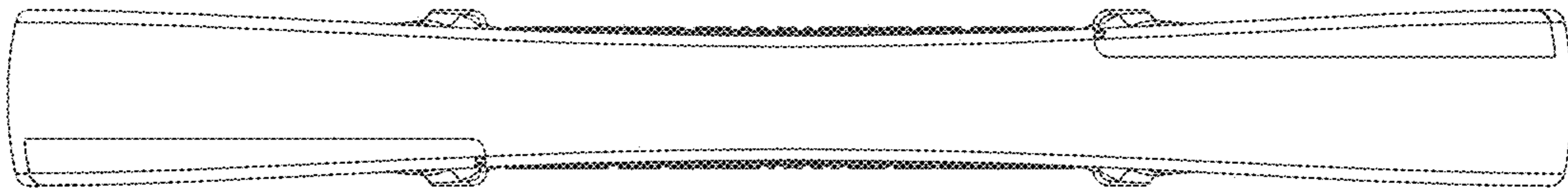


FIG. 25

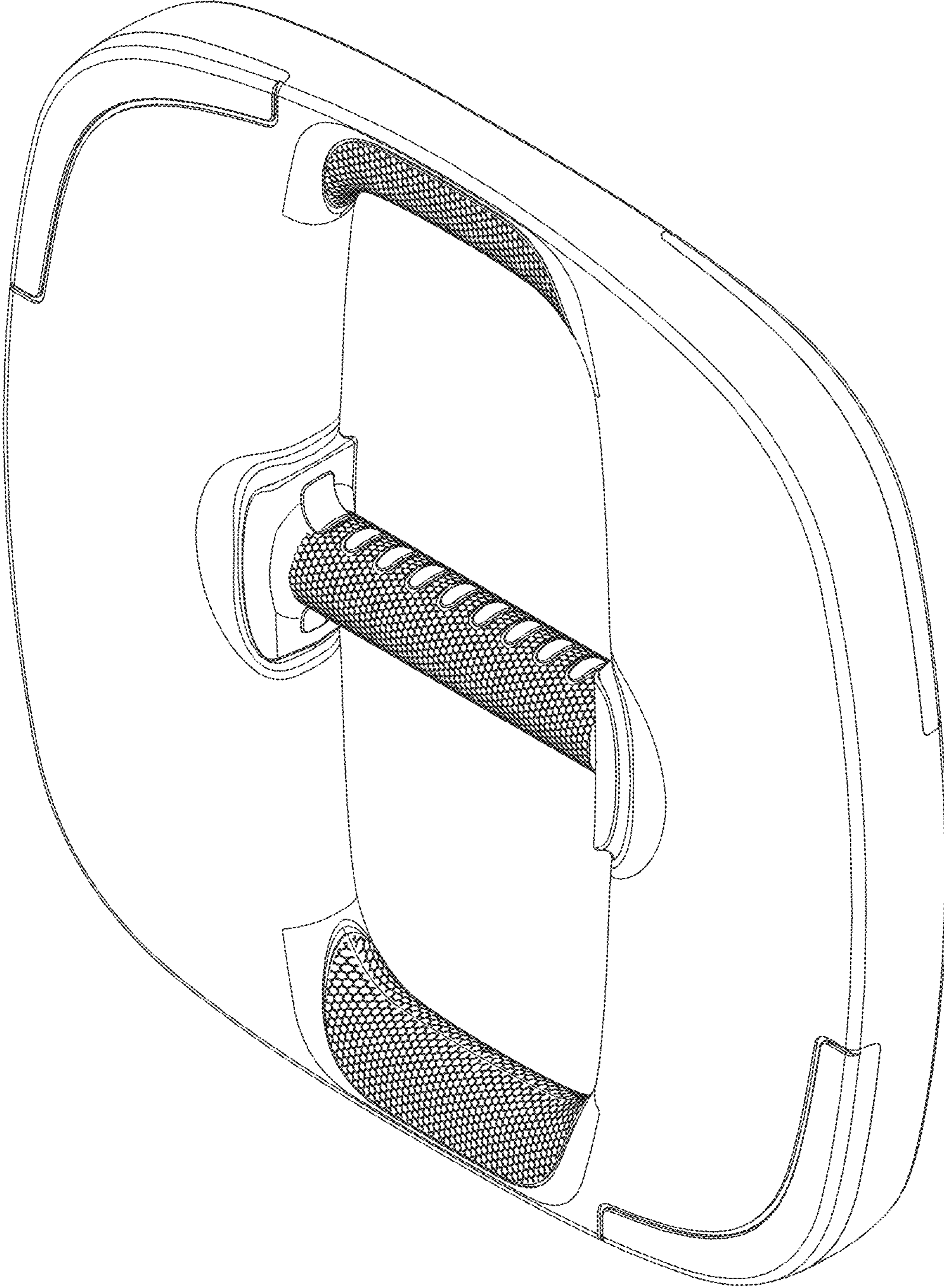


FIG. 26

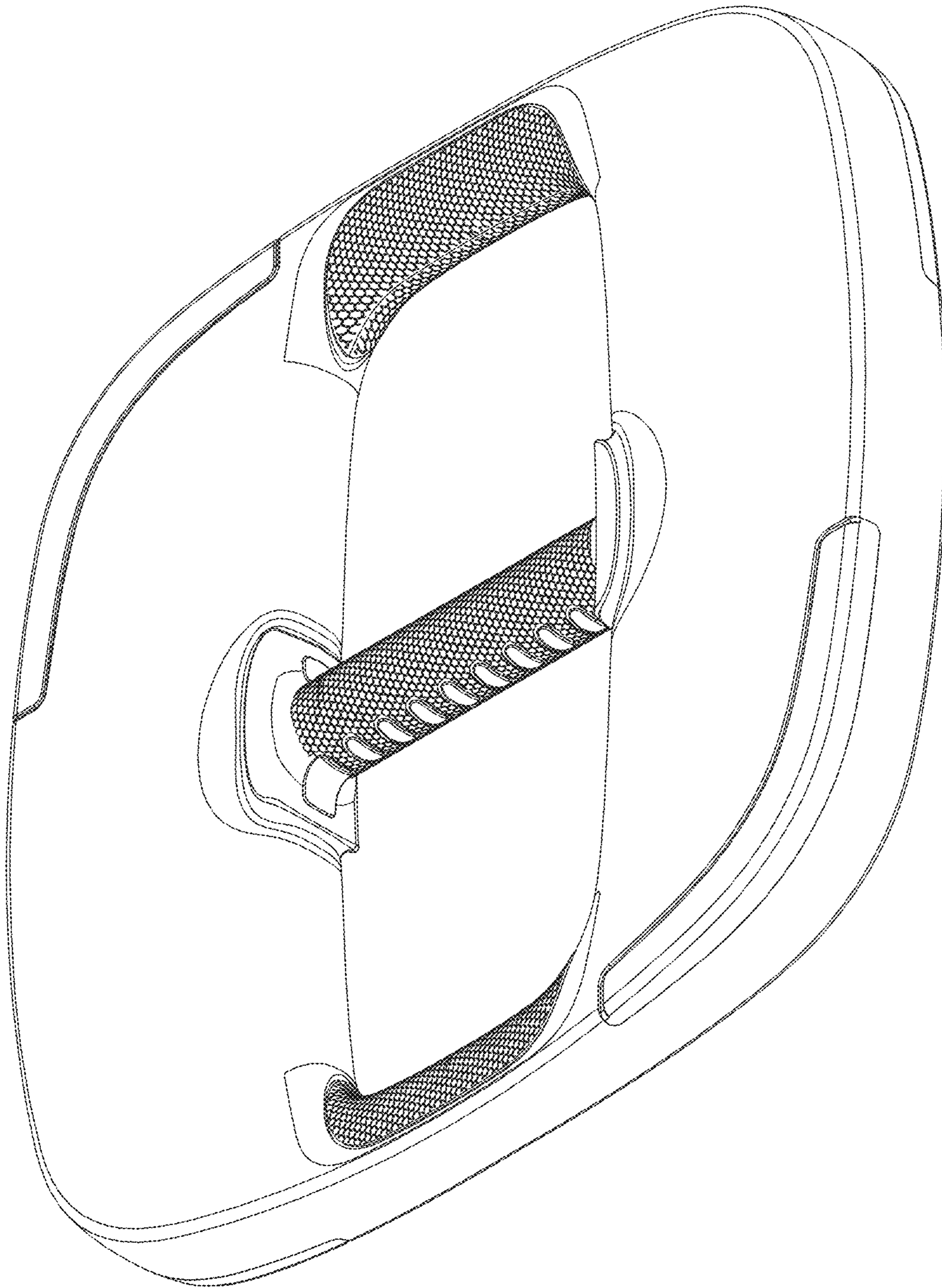


FIG. 27

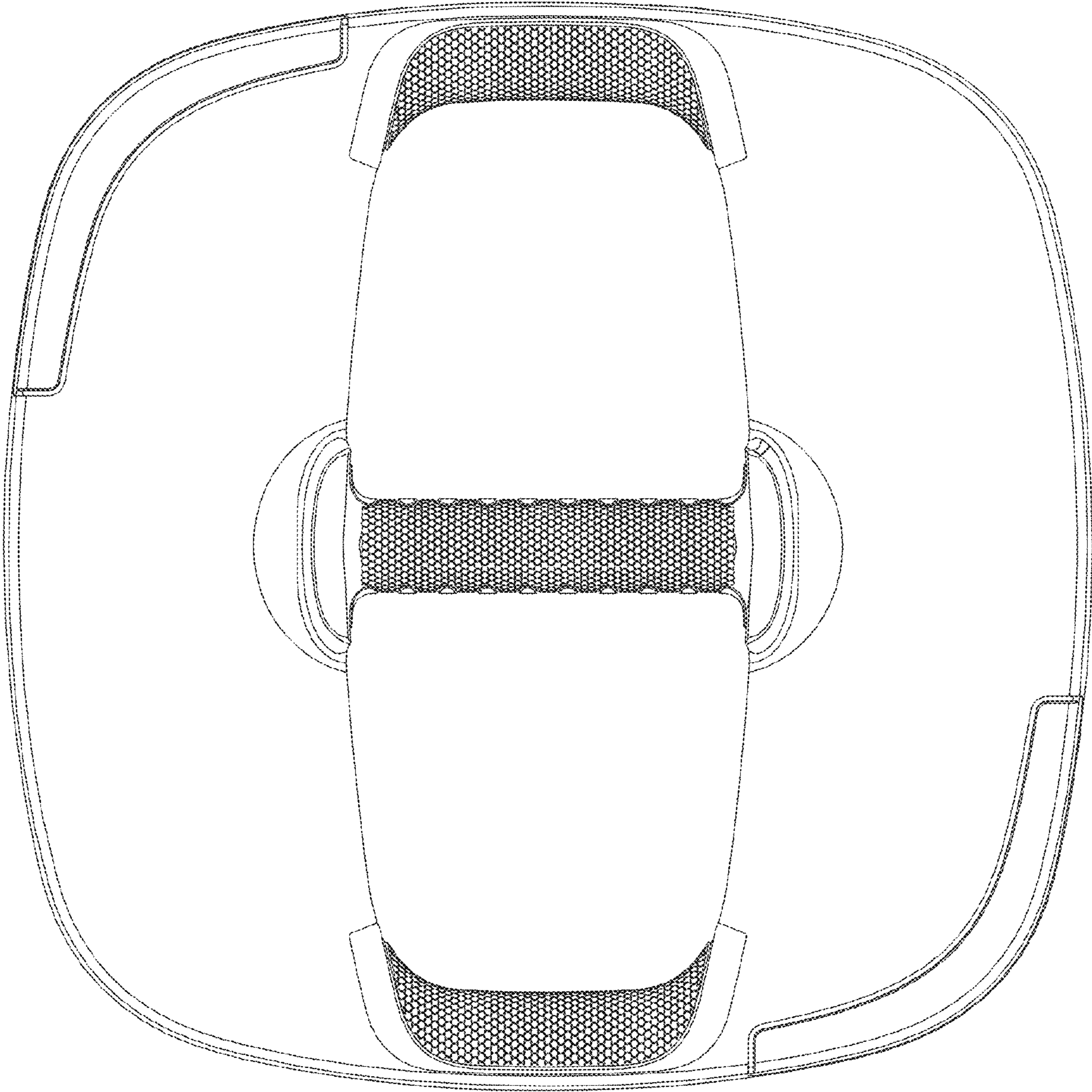


FIG. 28

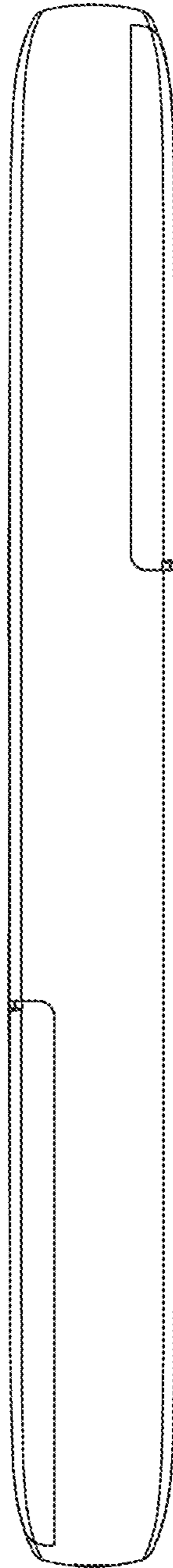


FIG. 29

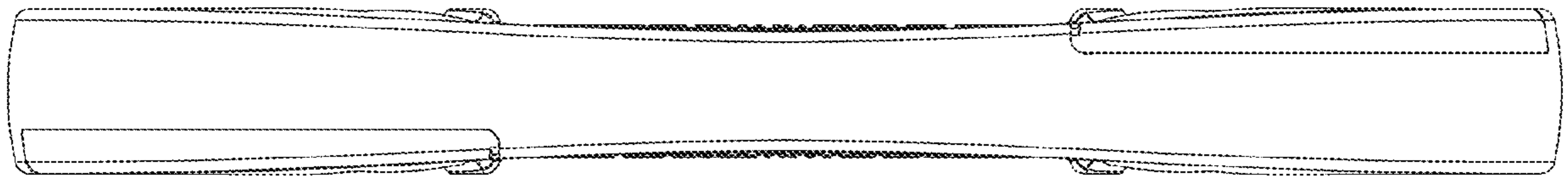


FIG. 30