



US00D895738S

(12) **United States Design Patent**
Ying

(10) **Patent No.:** **US D895,738 S**

(45) **Date of Patent:** **** Sep. 8, 2020**

(54) **VIBRATION MACHINE**

(71) Applicant: **COMFORT PRODUCTS, INC.**,
Memphis, TN (US)

(72) Inventor: **Jingning Ying**, Jinhua (CN)

(73) Assignee: **COMFORT PRODUCTS, INC.**,
Memphis, TN (US)

(**) Term: **15 Years**

(21) Appl. No.: **29/684,851**

(22) Filed: **Mar. 25, 2019**

(51) **LOC (12) Cl.** **21-02**

(52) **U.S. Cl.**
USPC **D21/662**

(58) **Field of Classification Search**
USPC D21/301, 443, 662, 671, 686, 688, 689,
D21/803, 804; D30/160; D24/200, 215
CPC A63B 19/00; A63B 21/065; A63B
2208/0204; A63H 33/02
See application file for complete search history.

(56) **References Cited**

U.S. PATENT DOCUMENTS

3,862,768	A	*	1/1975	England	B62K 1/00	280/205
D299,169	S	*	12/1988	Hall	D24/215	
D428,454	S	*	7/2000	Fischer	D21/662	
D435,299	S	*	12/2000	Chou	D24/213	
D446,264	S	*	8/2001	Fischer	D21/662	
D449,357	S	*	10/2001	Monter Villar	D21/671	
D449,696	S	*	10/2001	Sulik	D24/200	
D469,486	S	*	1/2003	Olson	D21/662	
D507,026	S	*	7/2005	Chen	D21/671	
D517,136	S	*	3/2006	Chen	D21/671	
D519,172	S	*	4/2006	Penat	D21/671	
D526,369	S	*	8/2006	Van Straaten	D21/662	
D601,643	S	*	10/2009	Byle	D21/662	
D613,871	S	*	4/2010	Choi	D24/215	
D619,268	S	*	7/2010	Sugiyama	D24/212	
D627,012	S	*	11/2010	Wu	D21/662	
D630,687	S	*	1/2011	Meinel	D21/686	

D634,377	S	*	3/2011	Byle	D21/686
D680,599	S	*	4/2013	Orenstein	D21/671
D681,138	S	*	4/2013	Hodgkins	D21/686
D681,750	S	*	5/2013	Meyer-Hayoz	D21/686
D685,106	S	*	6/2013	Mills	D24/215

(Continued)

FOREIGN PATENT DOCUMENTS

CN 304772950 S 8/2018

OTHER PUBLICATIONS

Amazon, "Vibration Plate", Feb. 9, 2020. https://www.amazon.com/RELIFE-REBUILD-YOUR-LIFE-Machine-Full/dp/B07ZPT1W2P/ref=sr_1_140_sspa?dchild=1&keywords=vibration+machine&qid=1594387546&sr=8-140-spons&psc=1&spLa=ZW5jcnlwdGVkUXVhbGImaWVyPUEwM0hWVDFOR1AyRDZVJmVuY3J5cHRIZEikPUEwNjE5OTM4M0Y4U1o2WVVMSDk. (Year: 2020).*

Primary Examiner — Cynthia Ramirez
Assistant Examiner — Michael A Maharajh
(74) *Attorney, Agent, or Firm* — Wyatt, Tarrant & Combs, LLP; Max E. Bridges; Matthew A. Williams

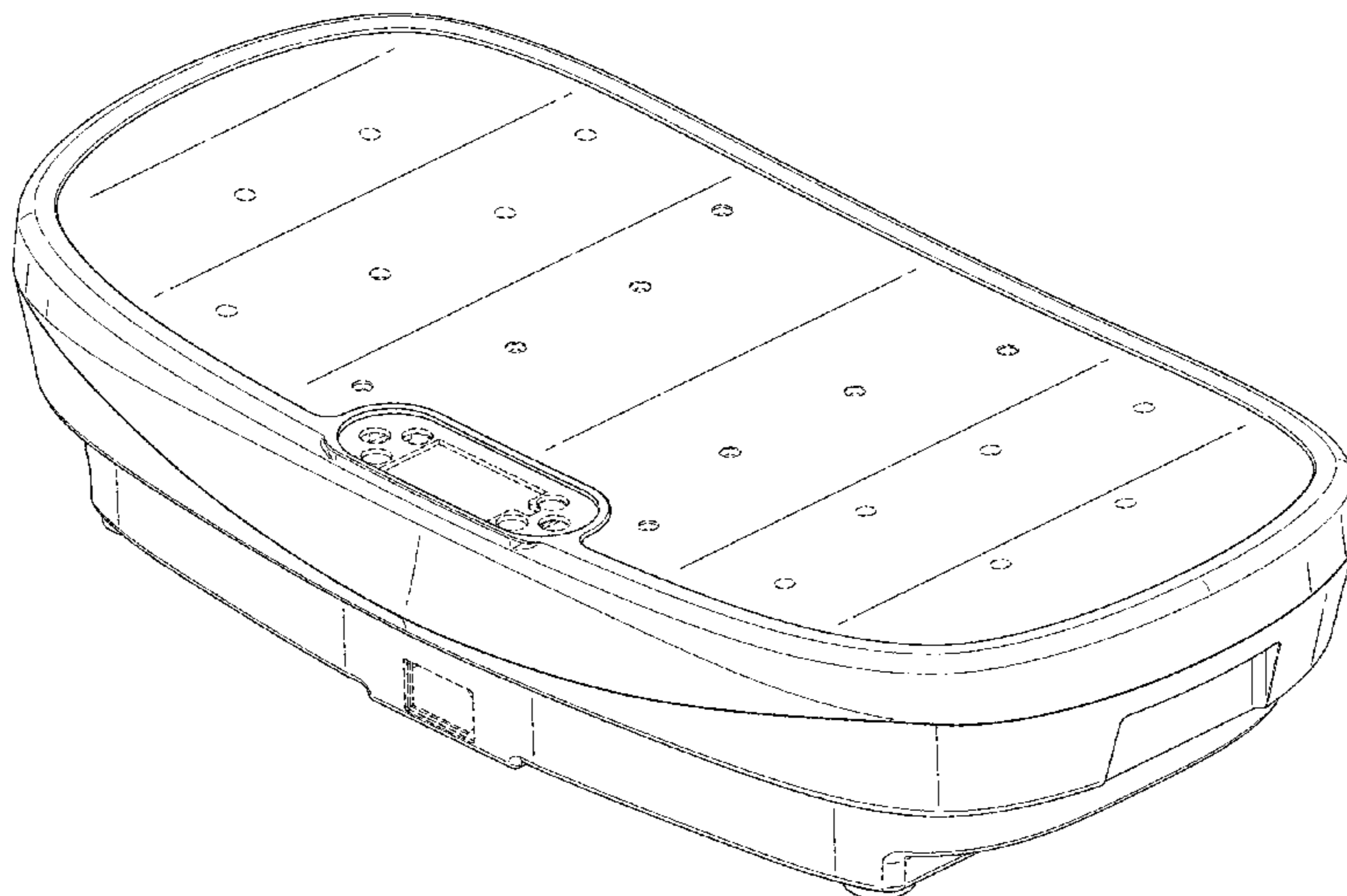
(57) **CLAIM**

The ornamental design for a vibration machine, as shown and described.

DESCRIPTION

FIG. 1 is a top perspective view of the vibration machine, showing my new design;
FIG. 2 is a bottom perspective view thereof;
FIG. 3 is a top plan view thereof;
FIG. 4 is a bottom plan view thereof;
FIG. 5 is a rear view thereof;
FIG. 6 is a front view thereof;
FIG. 7 is a left-side view thereof; and,
FIG. 8 is a right-side view thereof.
The broken lines shown in the drawings are for the purposes of illustrating portions of the vibration machine, which form no part of the claimed design.

1 Claim, 8 Drawing Sheets



(56)

References Cited

U.S. PATENT DOCUMENTS

D695,367	S *	12/2013	Lovegrove	D21/671
D712,055	S *	8/2014	Morris	D24/215
D717,381	S *	11/2014	Orenstein	D21/671
D737,385	S *	8/2015	Woniger	D21/671
D740,381	S *	10/2015	Heath	D21/688
D750,183	S *	2/2016	Heath	D21/686
D753,777	S *	4/2016	Radtke	D21/686
D763,975	S *	8/2016	Orenstein	D21/662
D776,769	S *	1/2017	Heath	D21/688
D787,613	S *	5/2017	Wight	D21/662
D804,590	S *	12/2017	Hillson	D21/671
D805,590	S *	12/2017	Heath	D21/688
D806,189	S *	12/2017	Failing	D21/688
D806,190	S *	12/2017	Failing	D21/688
D822,774	S *	7/2018	Strong Crawley	D21/671
D825,696	S *	8/2018	Mercenari Uribe	D21/671
D852,373	S *	6/2019	Stander	D24/215
D855,718	S *	8/2019	Hsu	D21/671
2004/0250450	A1 *	12/2004	Snell	A63B 21/065 36/45
2012/0208678	A1 *	8/2012	Knilans	A63B 23/0458 482/52
2016/0199689	A1 *	7/2016	Irwin	B32B 21/14 482/142

* cited by examiner

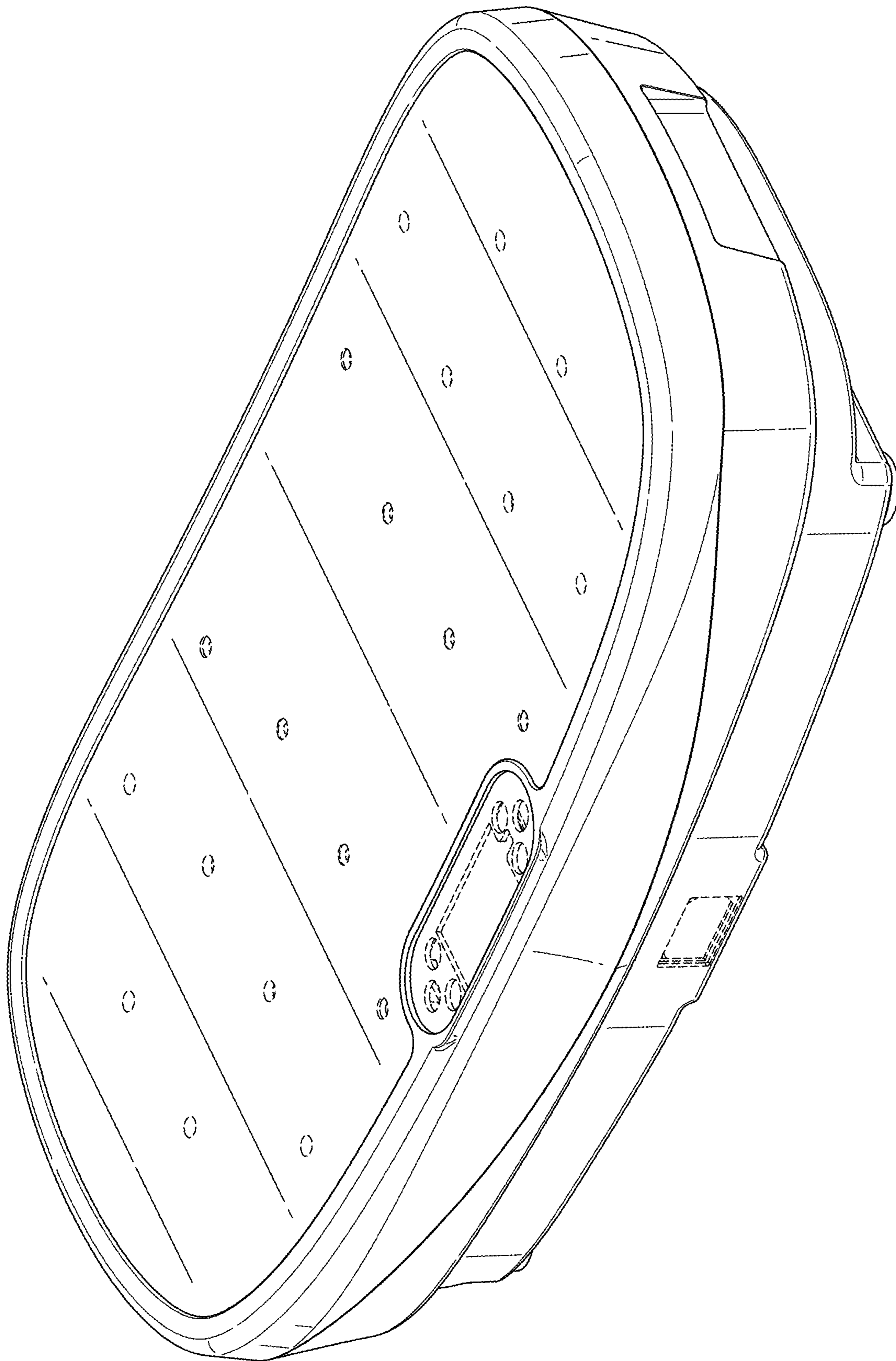


FIG. 1

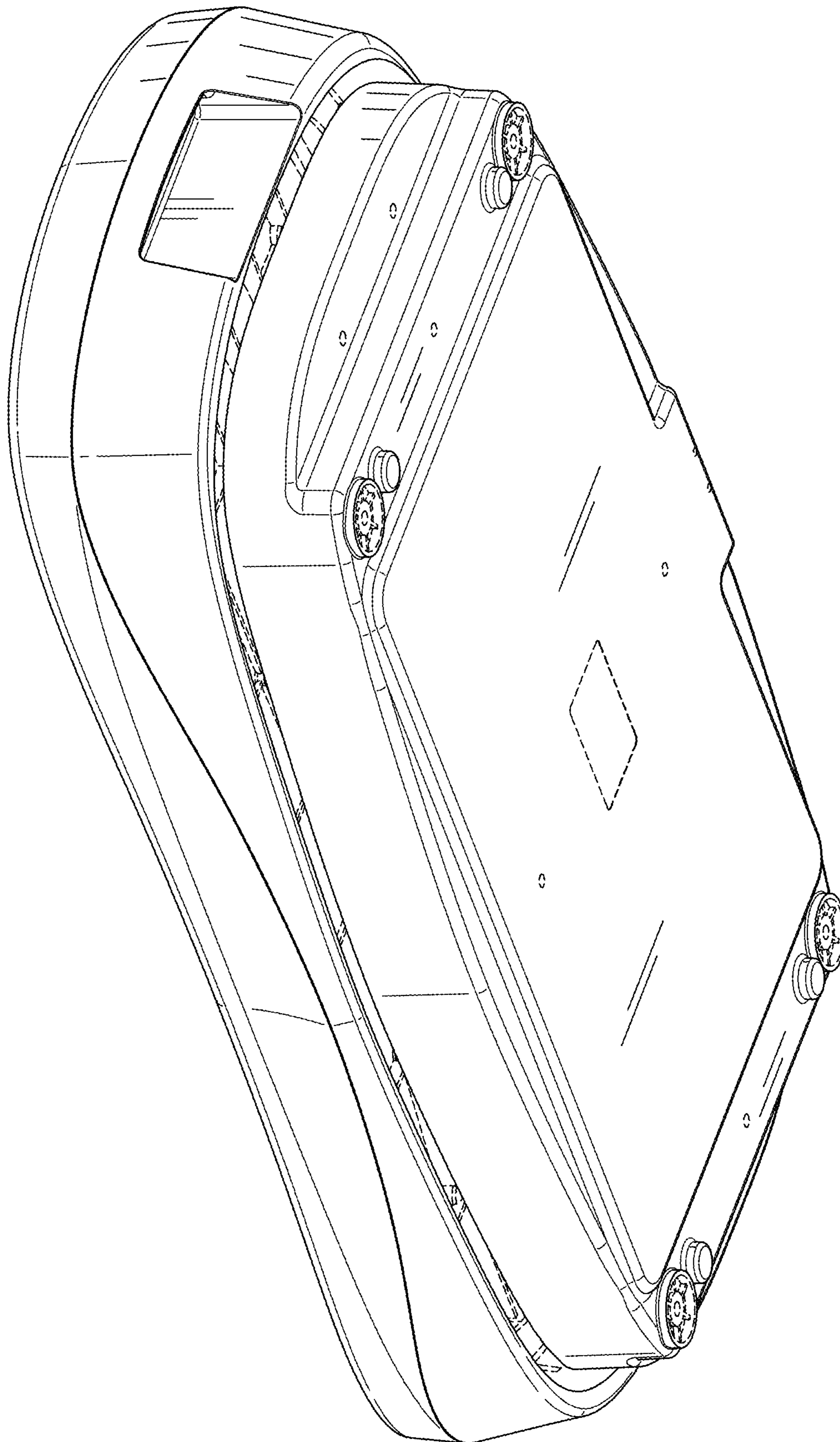


FIG. 2

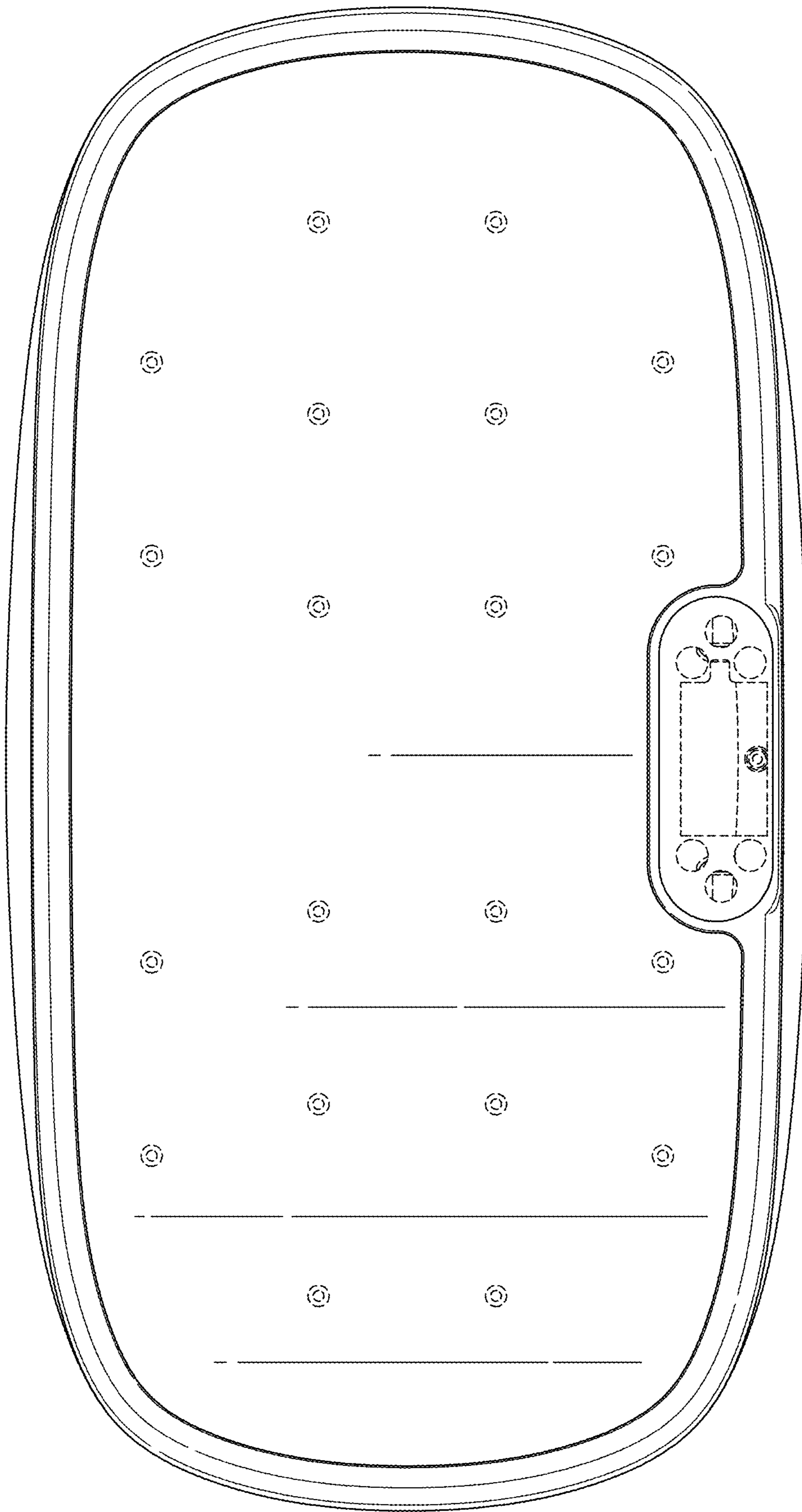


FIG. 3

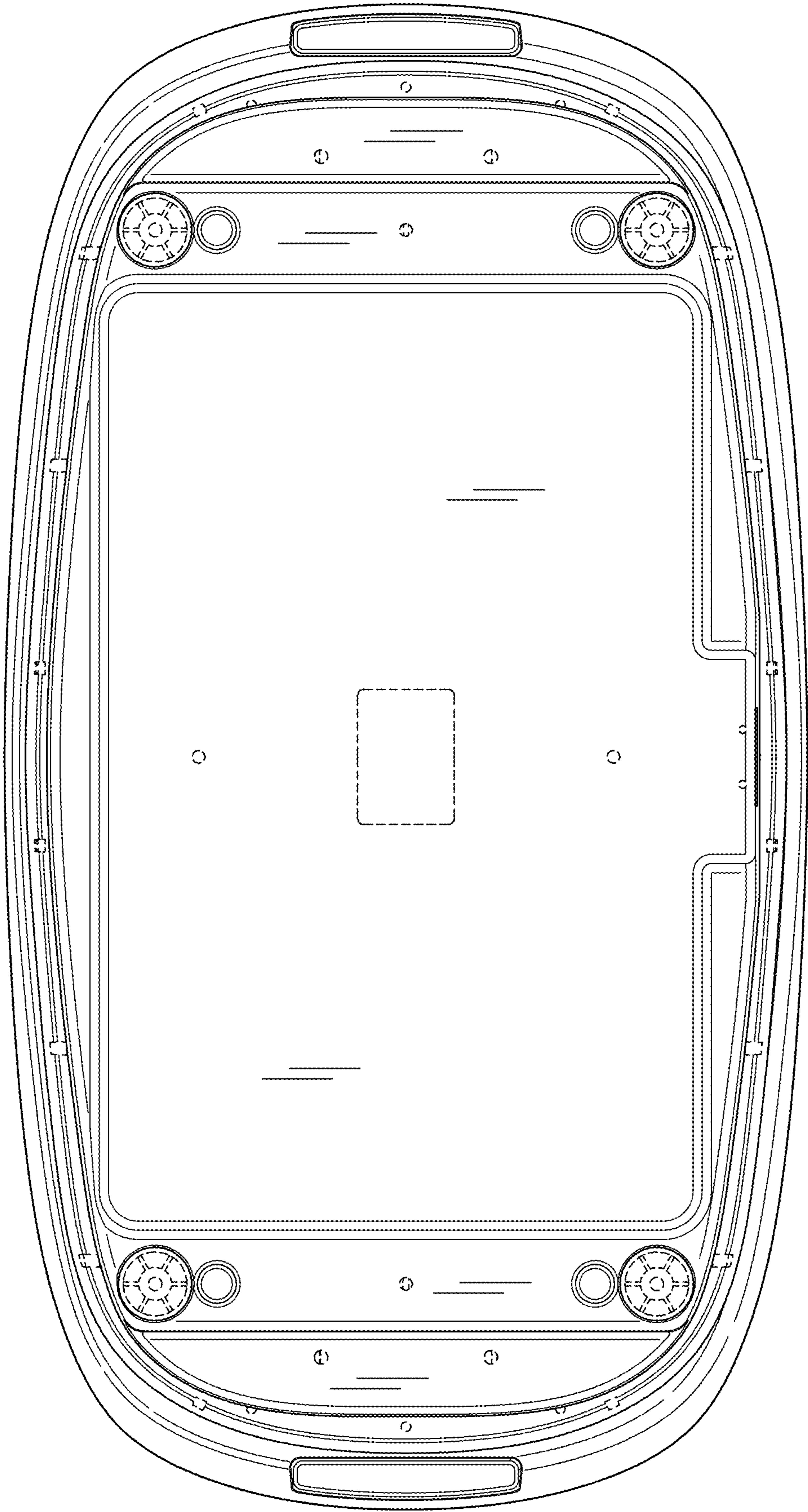


FIG. 4

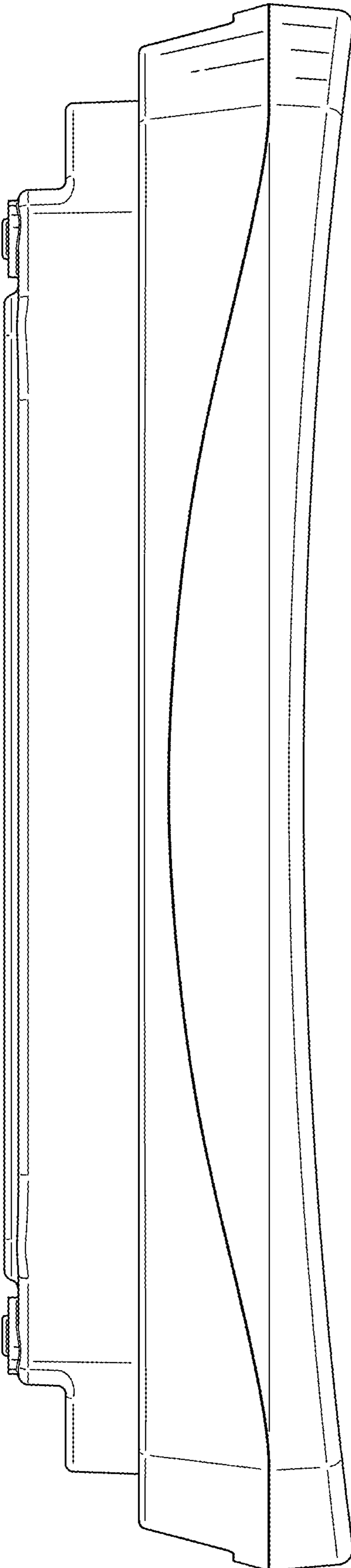


FIG. 5

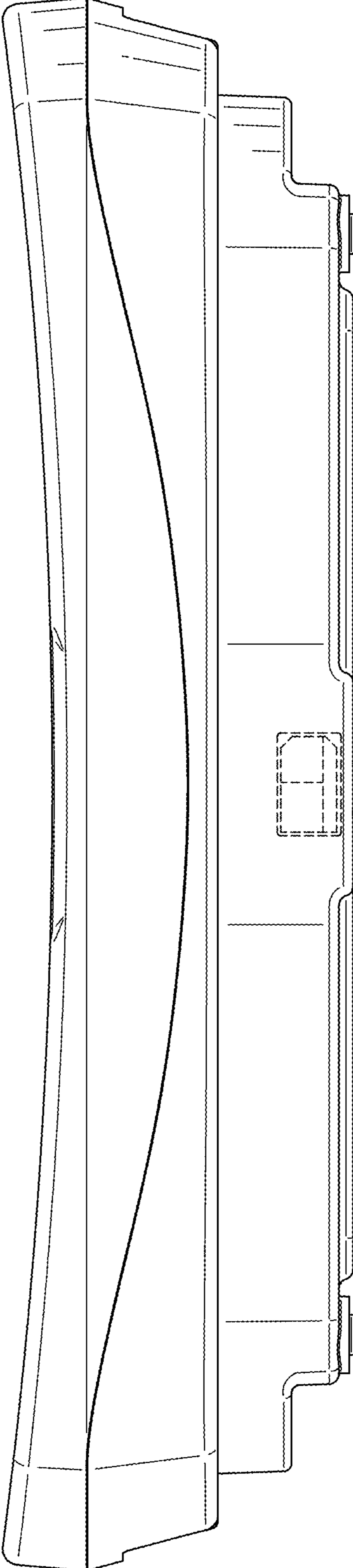


FIG. 6

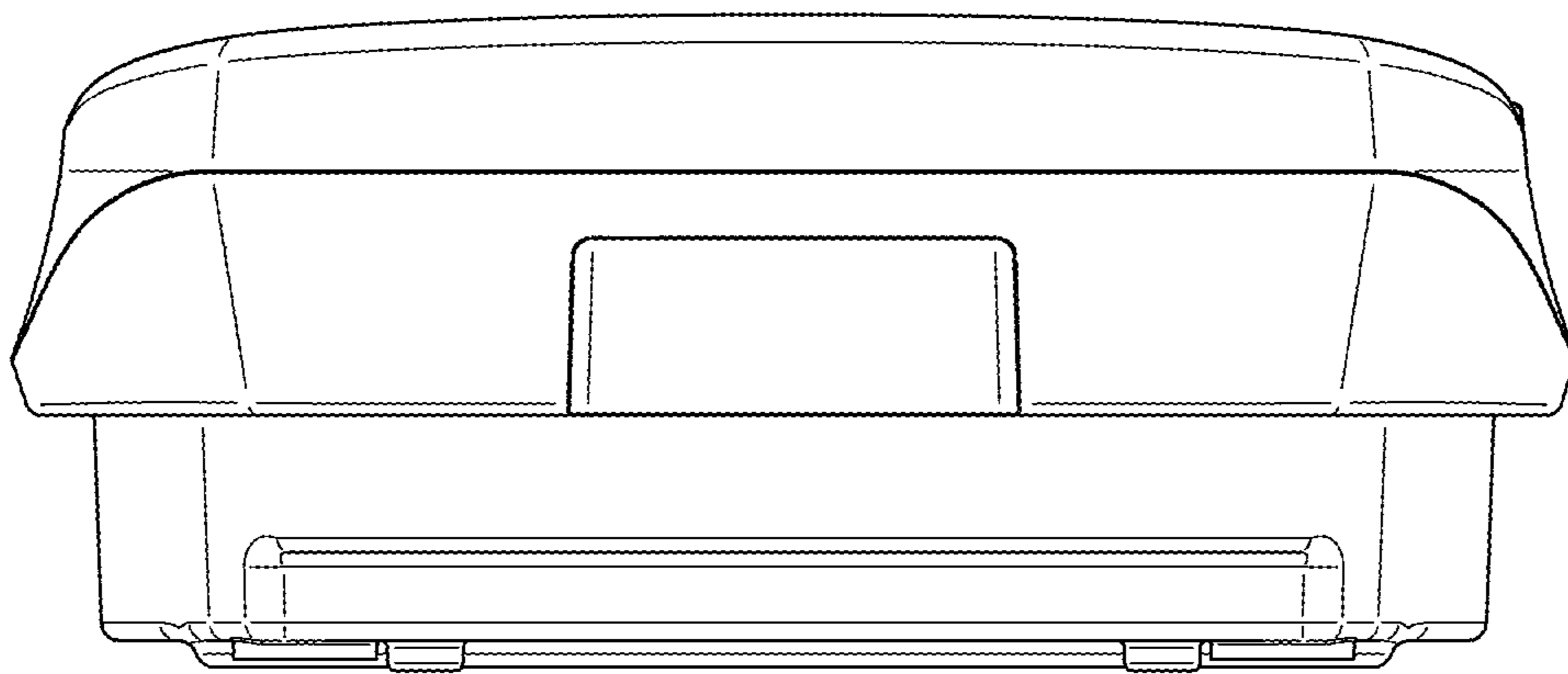


FIG. 7

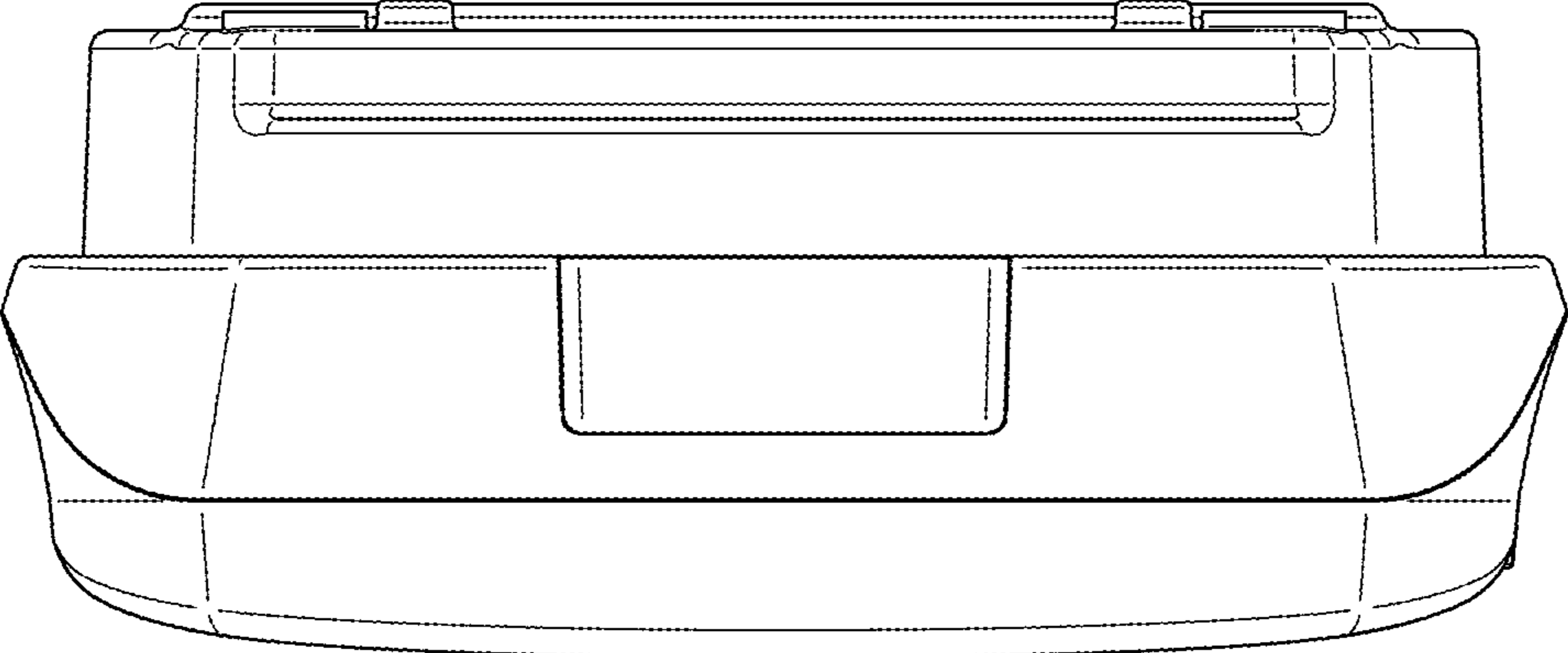


FIG. 8