



US00D895737S

(12) **United States Design Patent**
Russell

(10) **Patent No.:** **US D895,737 S**

(45) **Date of Patent:** **** Sep. 8, 2020**

(54) **AIRSOFT MAGAZINE ATTACHMENT**

(71) Applicant: **Robert David Russell**, Blodgett, MO
(US)

(72) Inventor: **Robert David Russell**, Blodgett, MO
(US)

(**) Term: **15 Years**

(21) Appl. No.: **29/622,212**

(22) Filed: **Oct. 16, 2017**

(51) **LOC (12) Cl.** **21-01**

(52) **U.S. Cl.**
USPC **D21/573; D9/447**

(58) **Field of Classification Search**
USPC D22/100–111, 115–116, 119–120, 199;
D21/300, 301, 573–575; D9/447
CPC . F41G 1/02; F41G 1/027; F41G 1/033; F41G
1/06; F41G 3/26; F41C 23/10; F41C
23/16; F41J 1/00
See application file for complete search history.

(56) **References Cited**

U.S. PATENT DOCUMENTS

D278,034 S	*	3/1985	Cafiero	D9/437
D281,582 S	*	12/1985	Borkan	D9/437
D306,649 S	*	3/1990	Lapicola	D24/121
D322,027 S	*	12/1991	Knudsen	D9/516
D331,653 S	*	12/1992	Stone	D34/11
D340,412 S	*	10/1993	Smith	D9/435
D390,462 S	*	2/1998	Mao	D9/435
D453,472 S	*	2/2002	Kwong	D9/447
D581,271 S	*	11/2008	Laupie	D9/500
D596,487 S	*	7/2009	Batton	D9/447
D598,286 S	*	8/2009	DeMarco	D9/500
D708,946 S	*	7/2014	Hutchison	D9/447
D742,469 S	*	11/2015	Gall	D22/107

D751,395 S	*	3/2016	Willows	D9/447
D752,434 S	*	3/2016	Willows	D9/447
D752,435 S	*	3/2016	Willows	D9/447
D755,629 S	*	5/2016	Marraccini	D9/447
D762,473 S	*	8/2016	Willows	D9/447
D766,396 S	*	9/2016	Scull	D22/108
D784,084 S	*	4/2017	Bartlett	D7/511
D840,801 S	*	2/2019	Yajko, Jr.	D9/417
D848,844 S	*	5/2019	Byron	D9/454
D852,042 S	*	6/2019	Dahbura	D9/503
D853,519 S	*	7/2019	Langner	D22/108

* cited by examiner

Primary Examiner — Khawaja Anwar

Assistant Examiner — Mojtaba Tehrani

(74) *Attorney, Agent, or Firm* — Haugen Law Firm PLLP

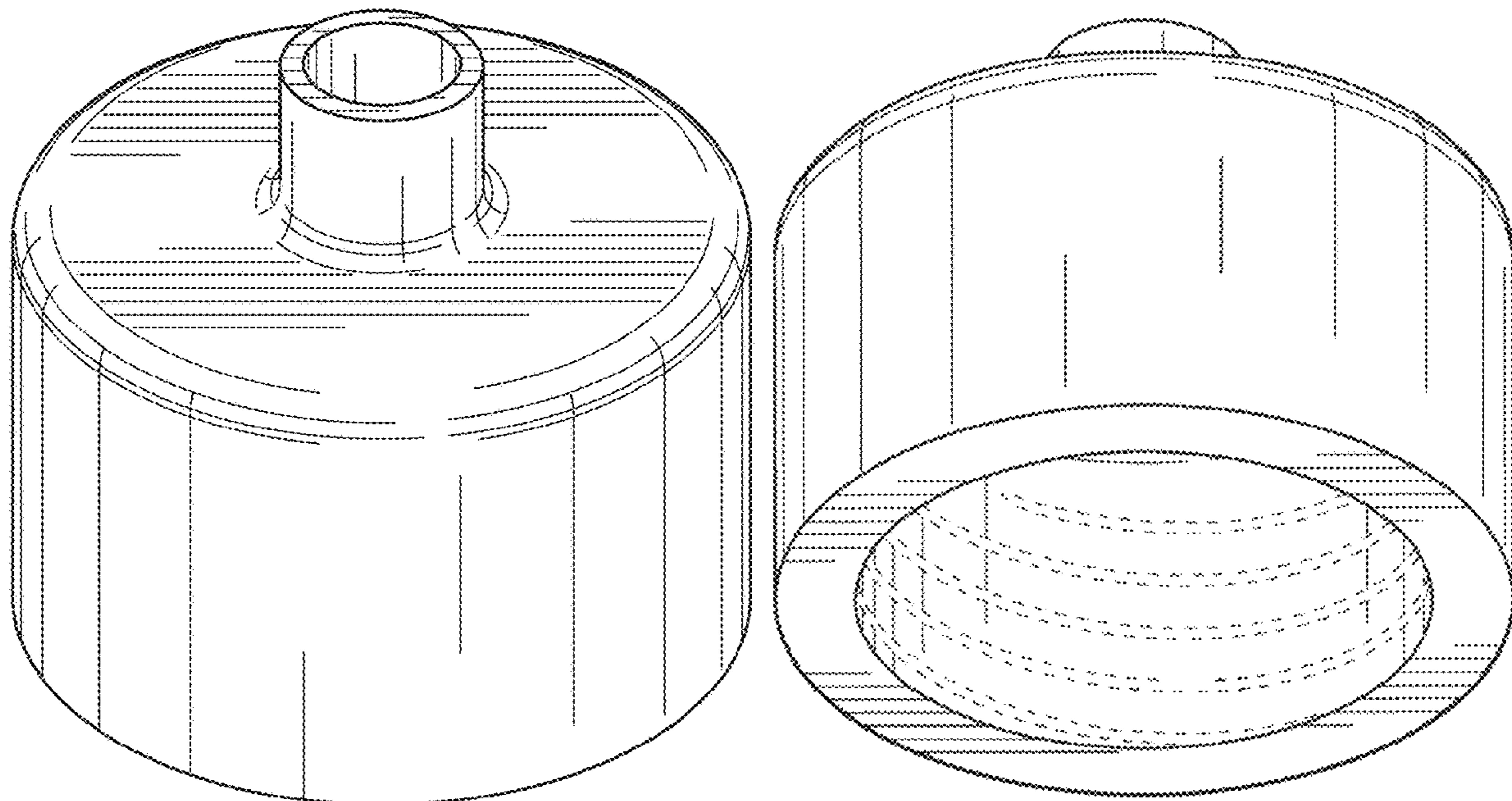
(57) **CLAIM**

The ornamental design for an airsoft magazine attachment, as shown and described.

DESCRIPTION

FIG. 1 is a front top perspective view of the airsoft magazine attachment of the present invention; FIG. 2 is a front view thereof; FIG. 3 is a back view thereof; FIG. 4 is a left side view thereof; FIG. 5 is a right side view thereof; FIG. 6 is a top view thereof; FIG. 7 is a bottom view thereof; FIG. 8 is a bottom back perspective view thereof; and, FIG. 9 is a top perspective view of airsoft magazine attachment coupled to a container and aligned with an airsoft magazine. The broken lines shown in the drawings form no part of the claimed design. Further, the boundary line and surface inward of the boundary line illustrated in FIG. 7 form no part of the claimed design.

1 Claim, 8 Drawing Sheets



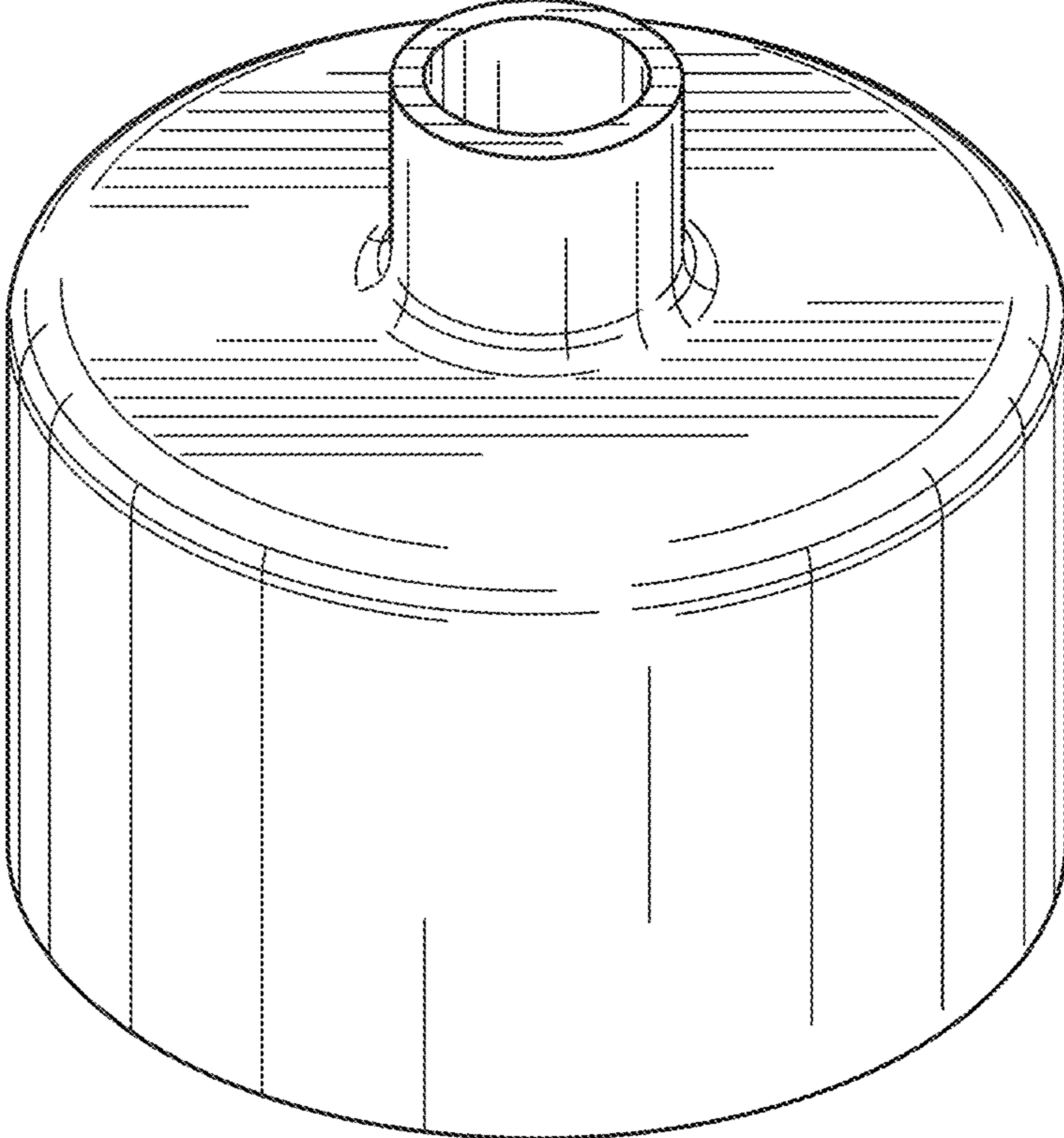


FIG. 1

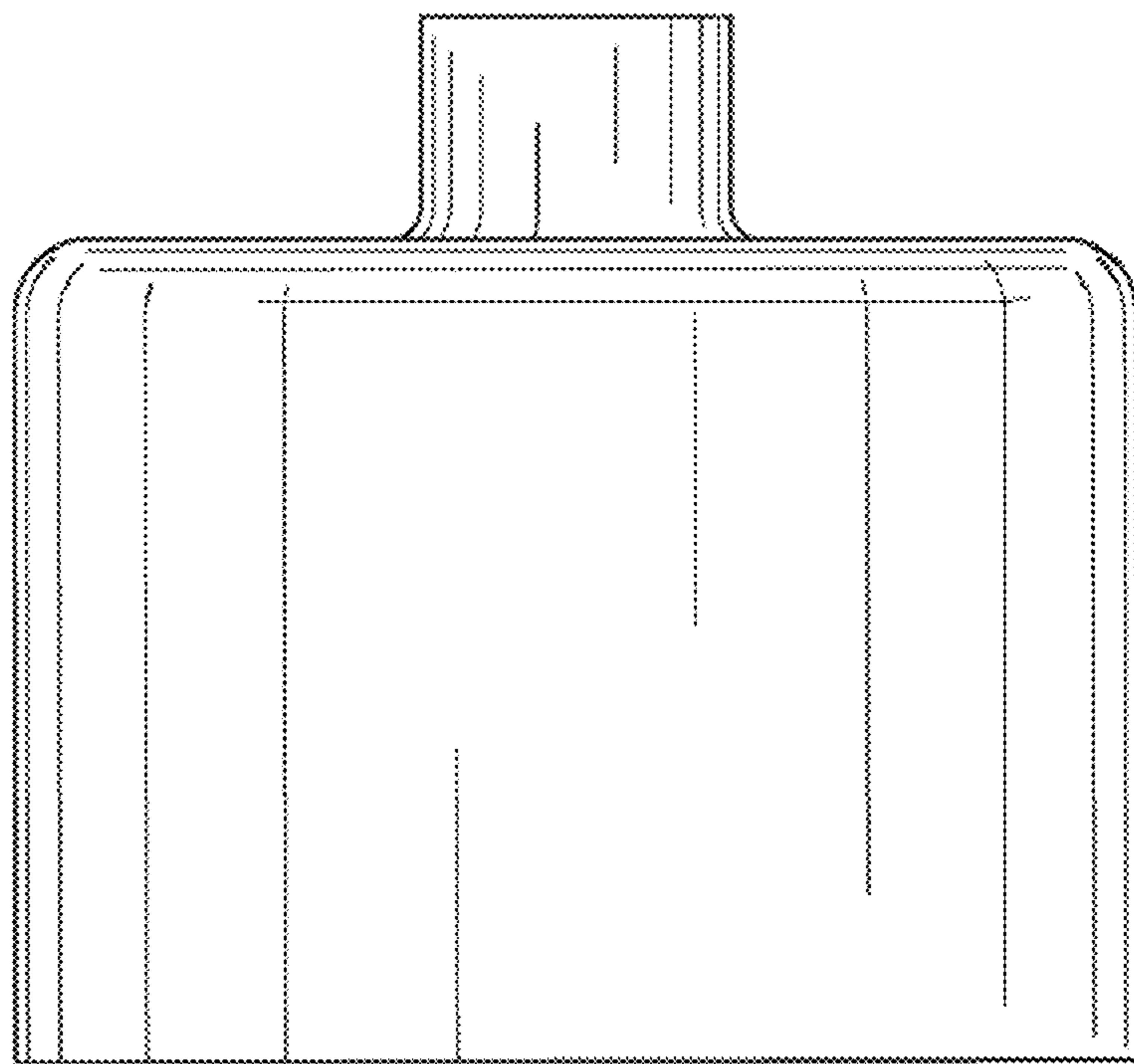


FIG. 2

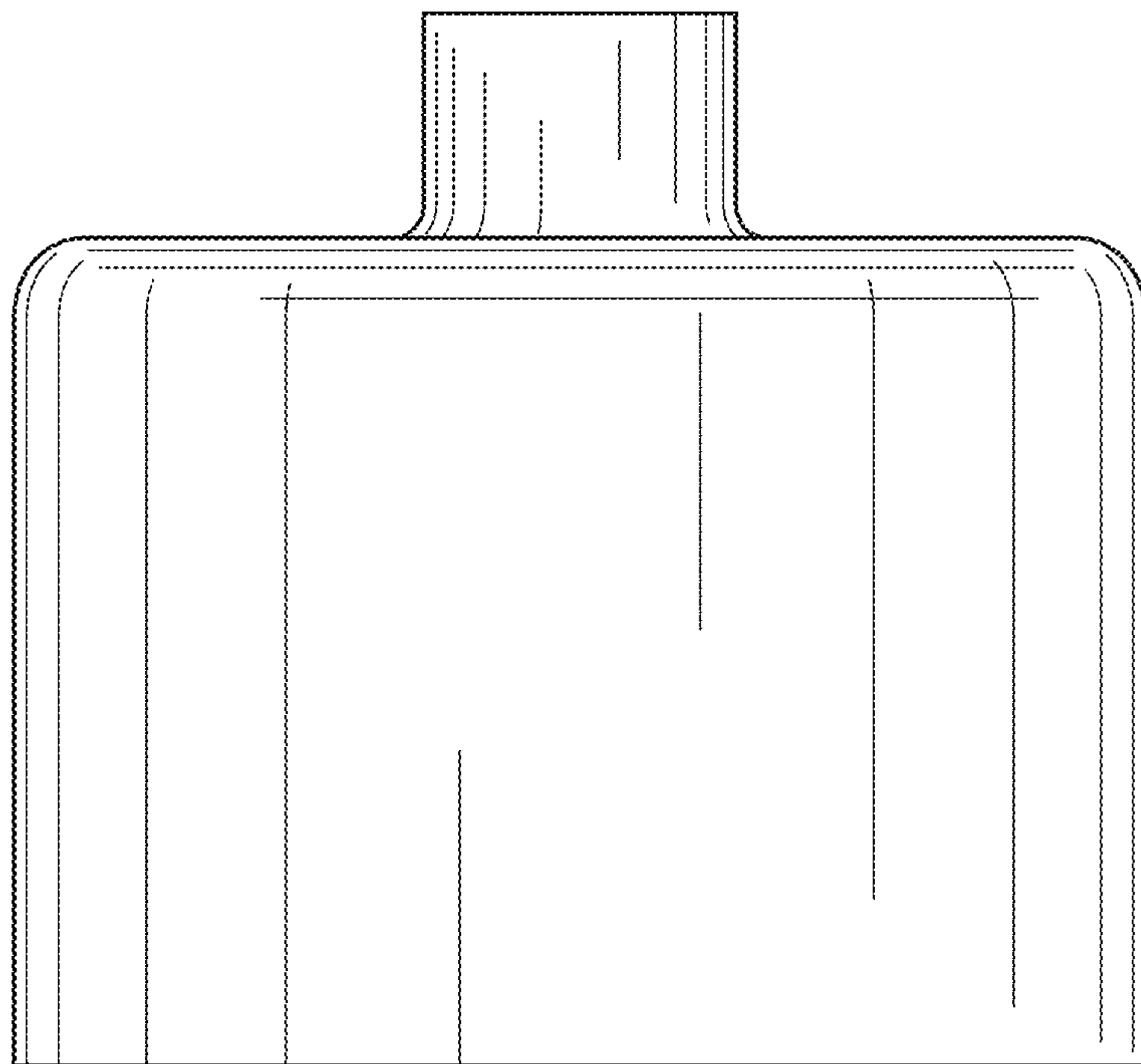


FIG. 3

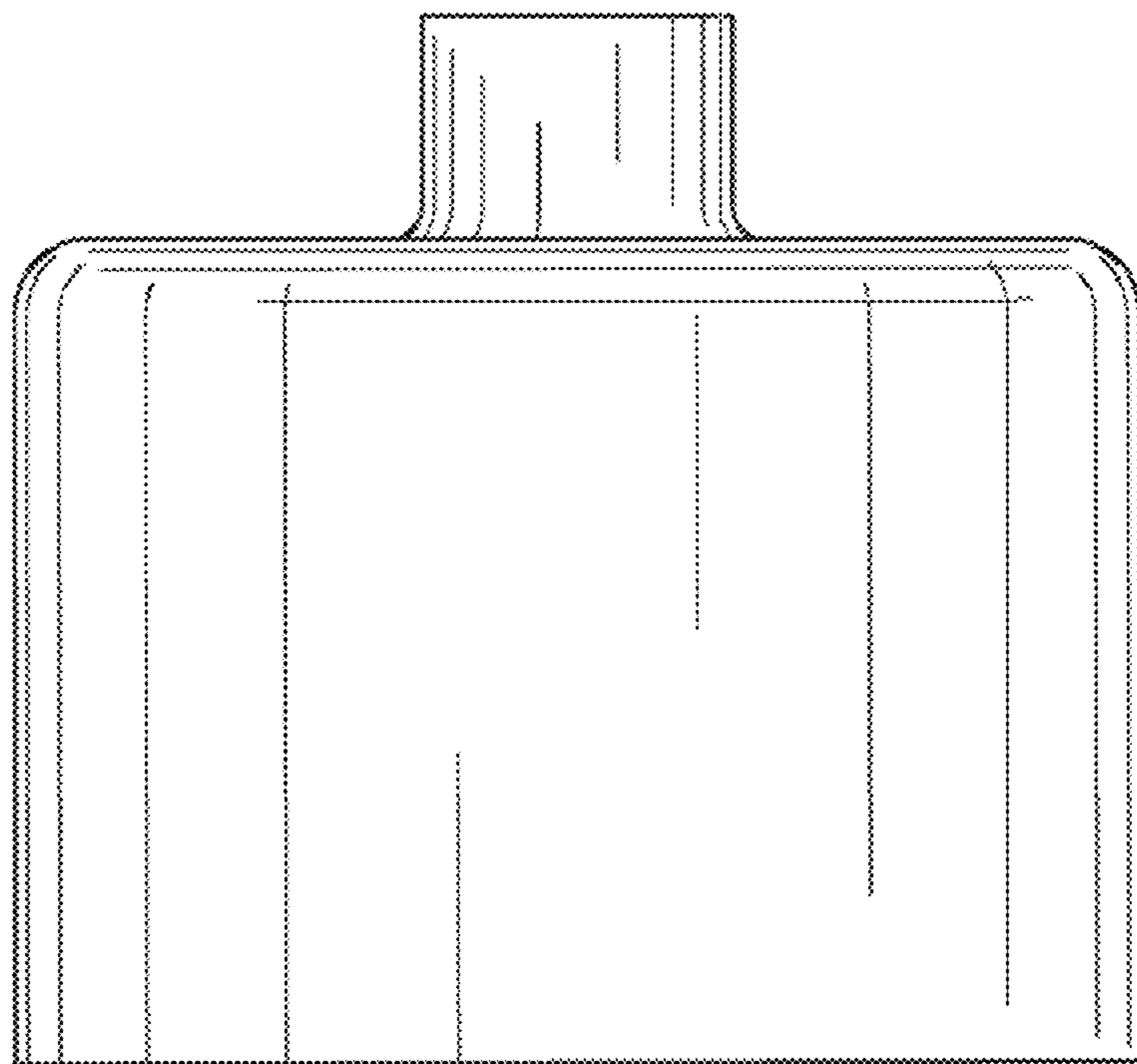


FIG. 4

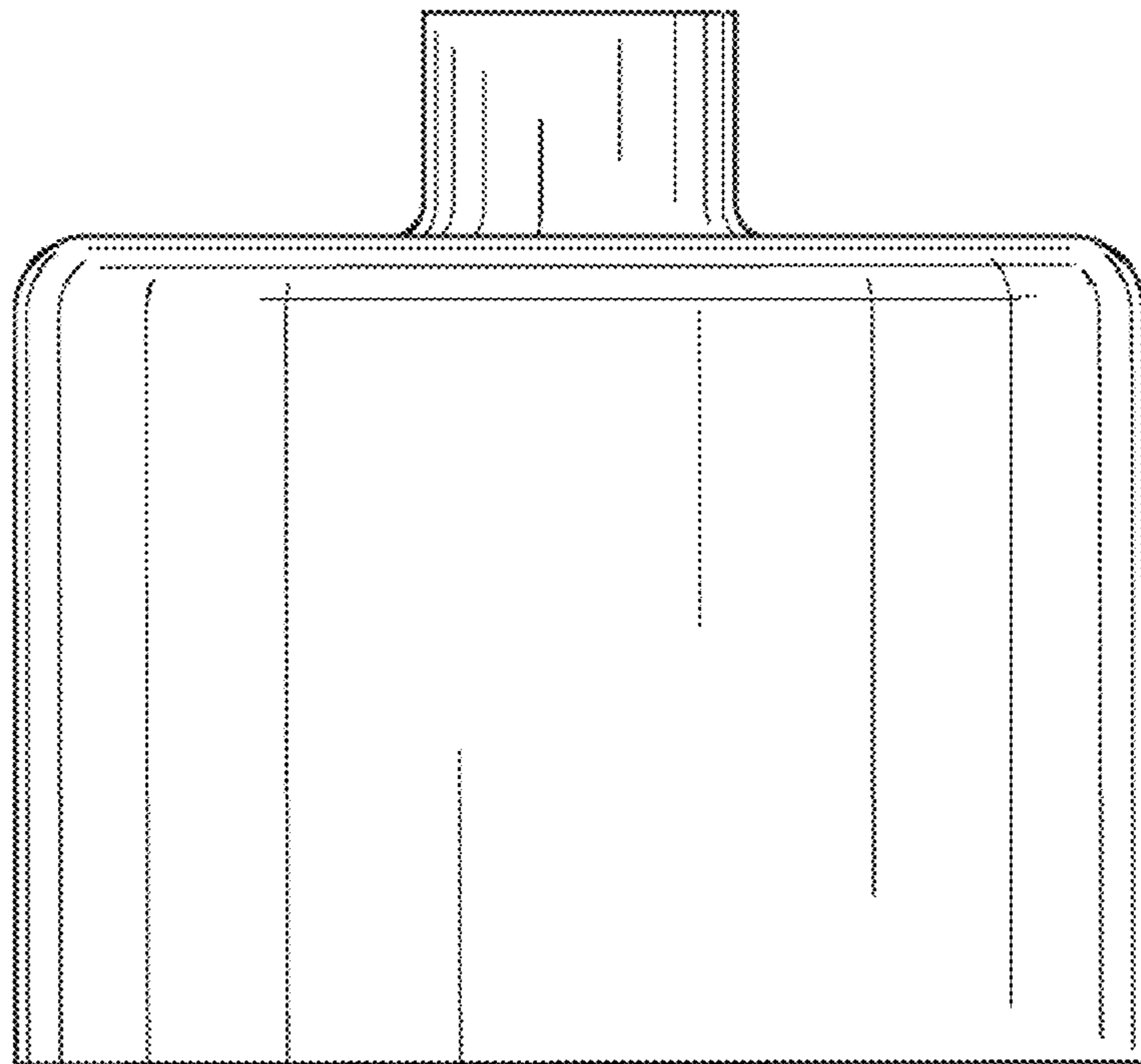


FIG. 5

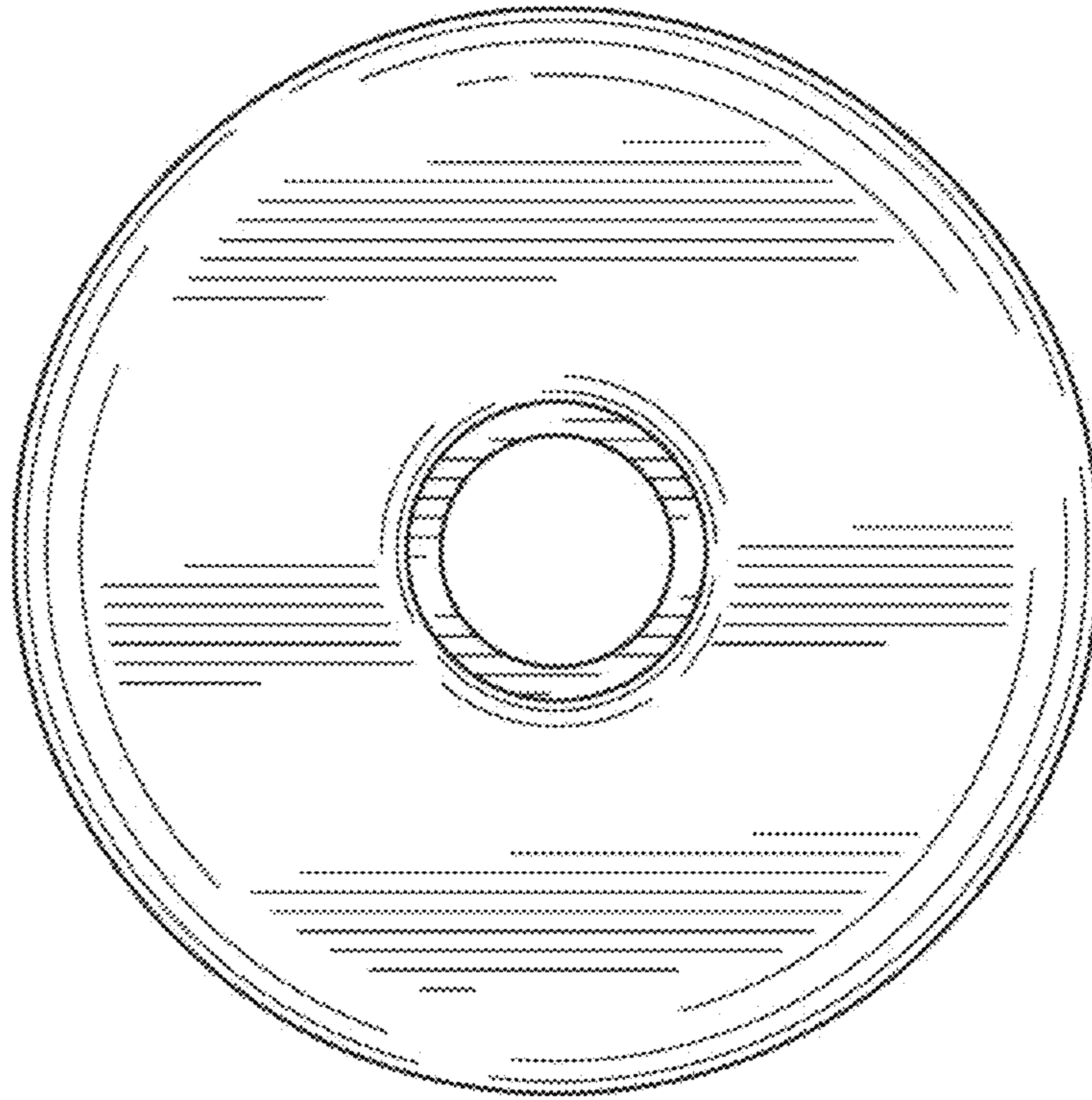


FIG. 6

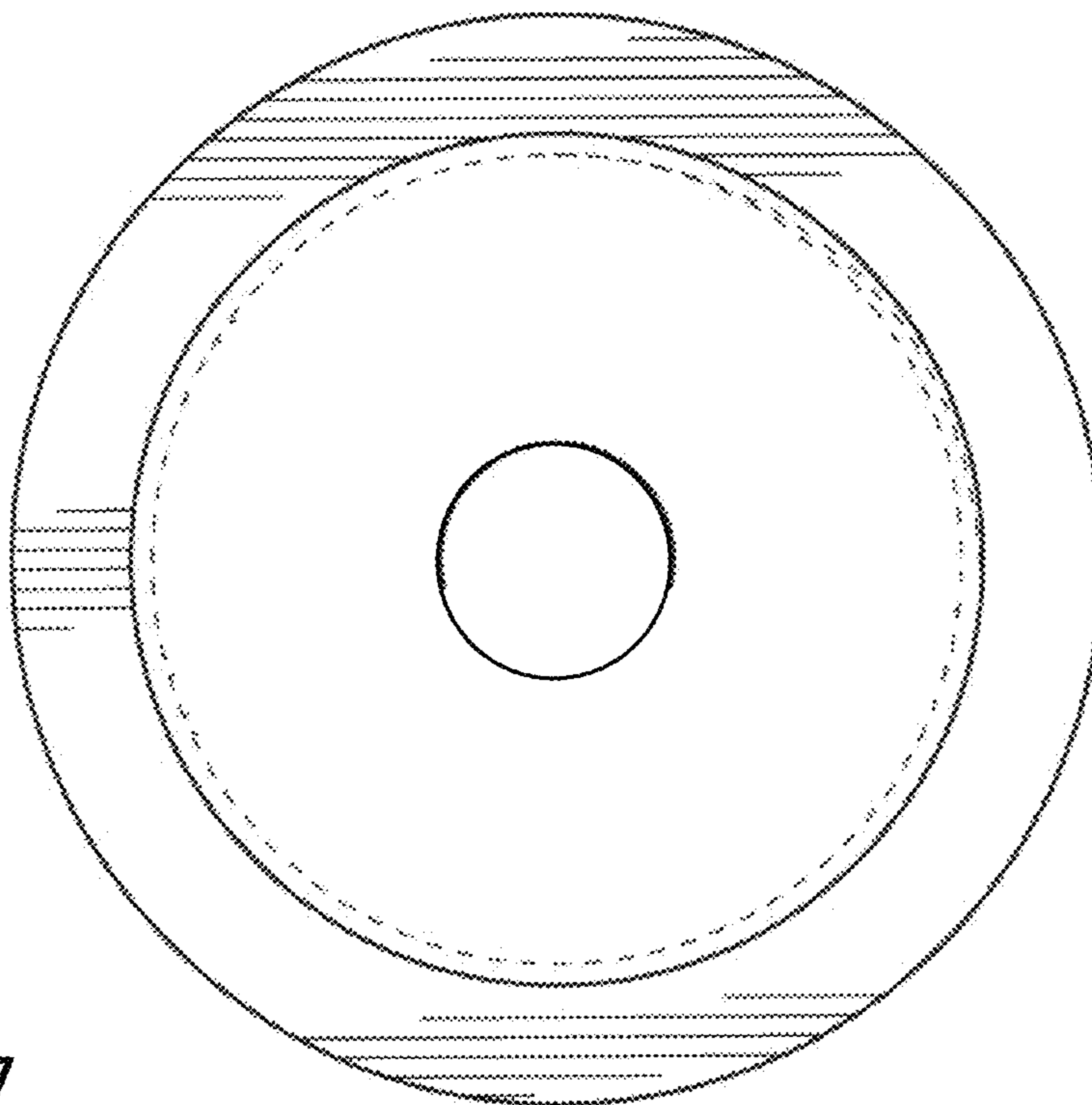


FIG. 7

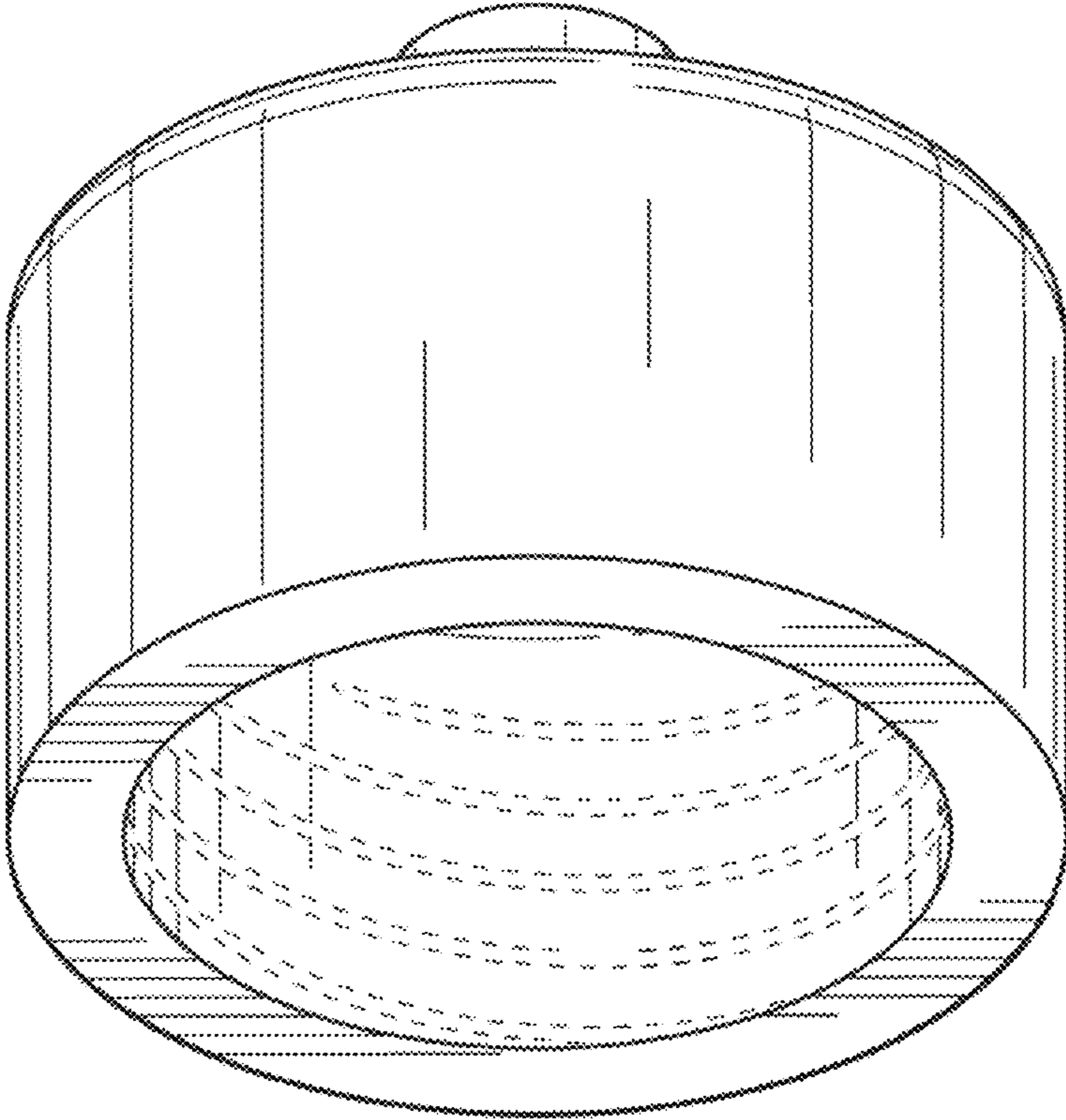


FIG. 8

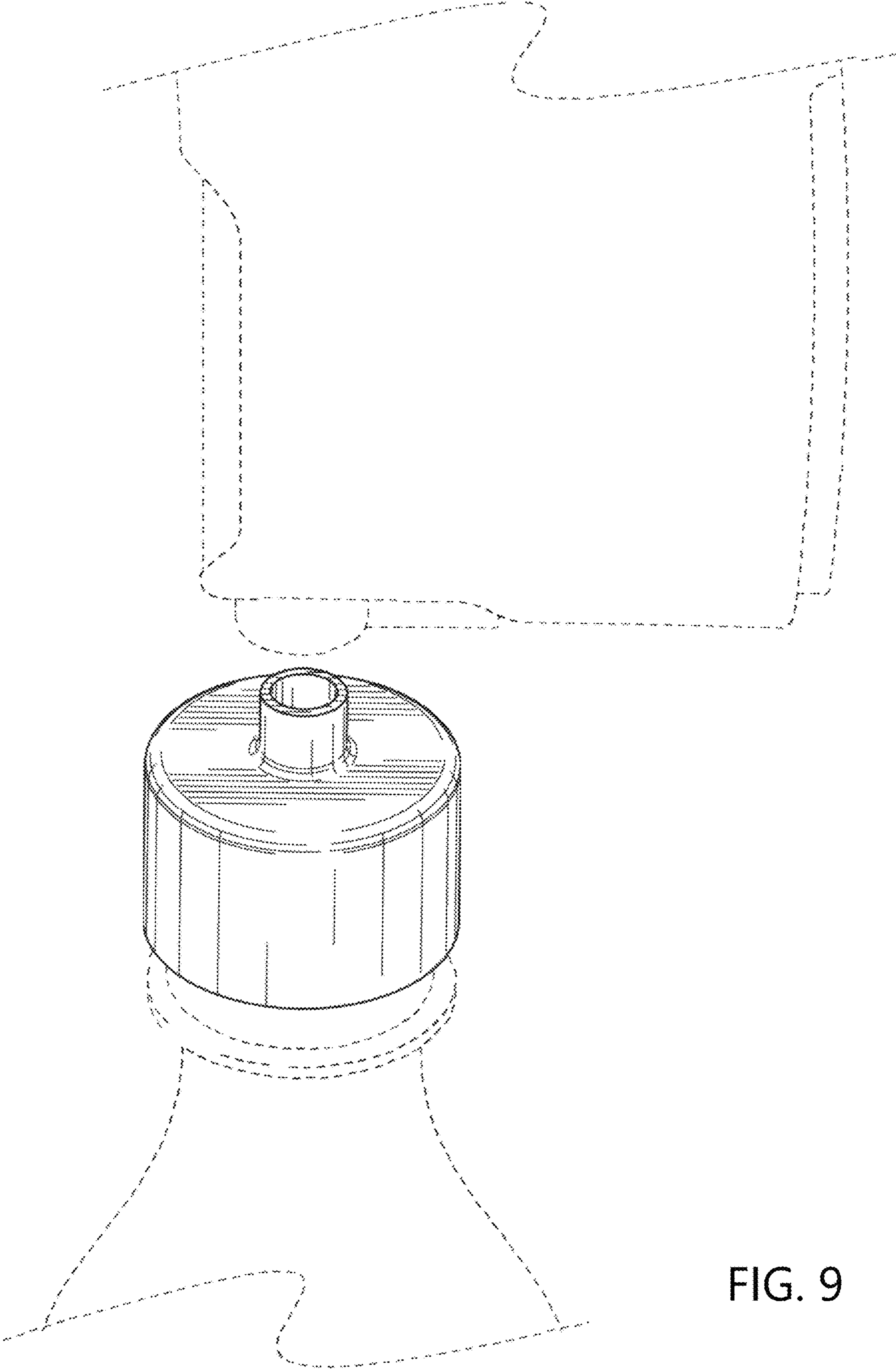


FIG. 9