



US00D895736S

(12) **United States Design Patent** (10) **Patent No.:** **US D895,736 S**
Chen (45) **Date of Patent:** **** Sep. 8, 2020**

(54) **BUBBLE FISH TOY**
(71) Applicant: **Shantou Hualong Toys Co., Ltd.,**
Shantou (CN)
(72) Inventor: **Le-Yan Chen,** Shantou (CN)
(73) Assignee: **Shantou Hualong Toys Co., Ltd.,**
Shantou (CN)

D241,459 S * 9/1976 Versten D21/401
D281,800 S * 12/1985 Routzong D21/599
D371,169 S * 6/1996 Patterson D21/401
D670,772 S * 11/2012 Lo D21/599
D716,381 S * 10/2014 Lo D21/401
D803,947 S * 11/2017 Lo D21/401
D811,493 S * 2/2018 Walterscheid D21/599
2011/0081820 A1* 4/2011 Faecher A63H 33/28
446/15
2014/0194027 A1* 7/2014 Lin A63H 33/28
446/19

(**) Term: **15 Years**

FOREIGN PATENT DOCUMENTS

(21) Appl. No.: **29/697,615**
(22) Filed: **Jul. 10, 2019**

CN 3652431 * 5/2007
CN 302910653 * 8/2014
CN 305120655 * 4/2019
GB 6064374 * 6/2019

(30) **Foreign Application Priority Data**

* cited by examiner

Jun. 19, 2019 (CN) 2019 3 0317024

Primary Examiner — Catherine A Tuttle
(74) *Attorney, Agent, or Firm* — ScienBiziP, P.C.

(51) **LOC (12) Cl.** **21-01**
(52) **U.S. Cl.**
USPC **D21/401; D21/599**
(58) **Field of Classification Search**
USPC D21/401, 402, 411, 473, 585, 597, 599;
D19/126; 446/15–21
CPC A63H 33/28
See application file for complete search history.

(57) **CLAIM**

The ornamental design for a bubble fish toy, as shown and described.

(56) **References Cited**

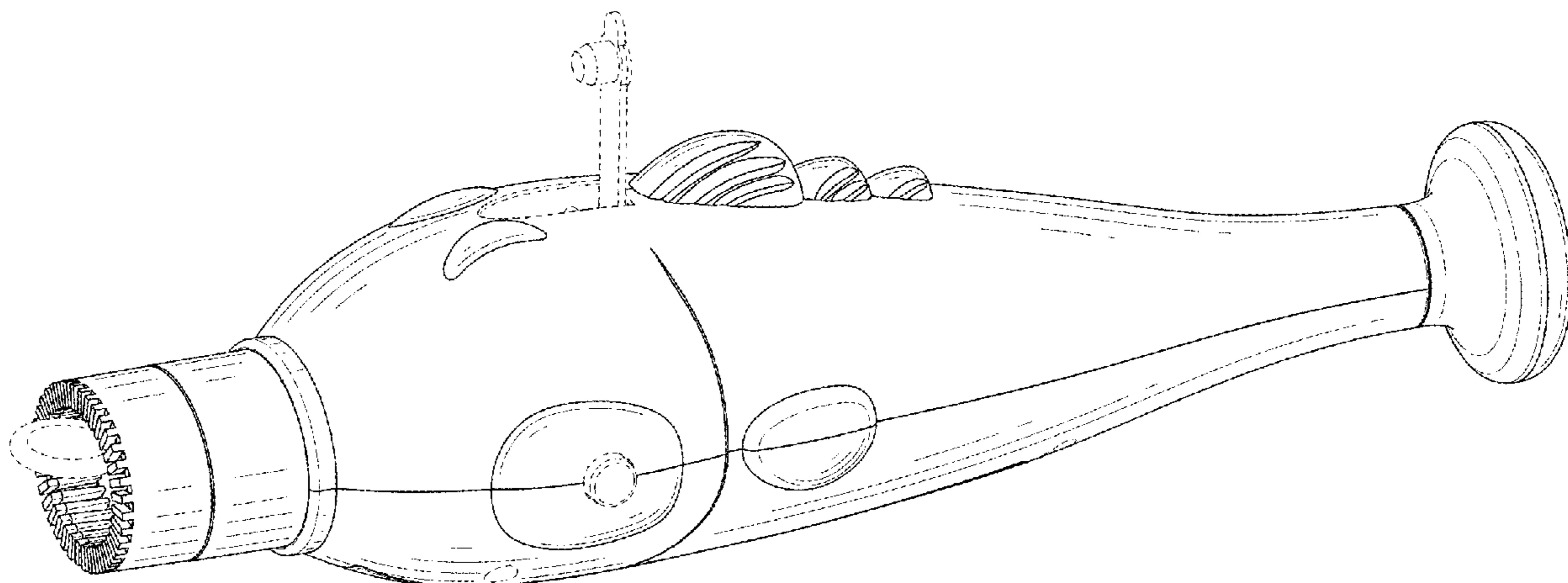
DESCRIPTION

U.S. PATENT DOCUMENTS

430,095 A * 6/1890 Thain A63H 33/28
446/19
D37,227 S * 11/1904 Eggers D24/208
D153,273 S * 4/1949 Frazeur D21/411
D153,274 S * 4/1949 Frazeur D21/411
D162,414 S * 3/1951 Joyce D21/401
D186,610 S * 11/1959 Allen et al. D21/401
D188,958 S * 10/1960 Damiani D9/606
3,021,639 A * 2/1962 Allen A63H 33/28
446/17

FIG. 1 is a right, bottom and rear perspective view of a bubble fish toy, showing my design.
FIG. 2 is a lefttop and front perspective view thereof.
FIG. 3 is a front elevation view thereof.
FIG. 4 is a rear elevation view thereof.
FIG. 5 is a left side elevation view thereof.
FIG. 6 is a right side elevation view thereof.
FIG. 7 is a top plan view thereof; and,
FIG. 8 is a bottom plan view thereof.
The details shown in broken lines form no part of the claimed design.

1 Claim, 8 Drawing Sheets



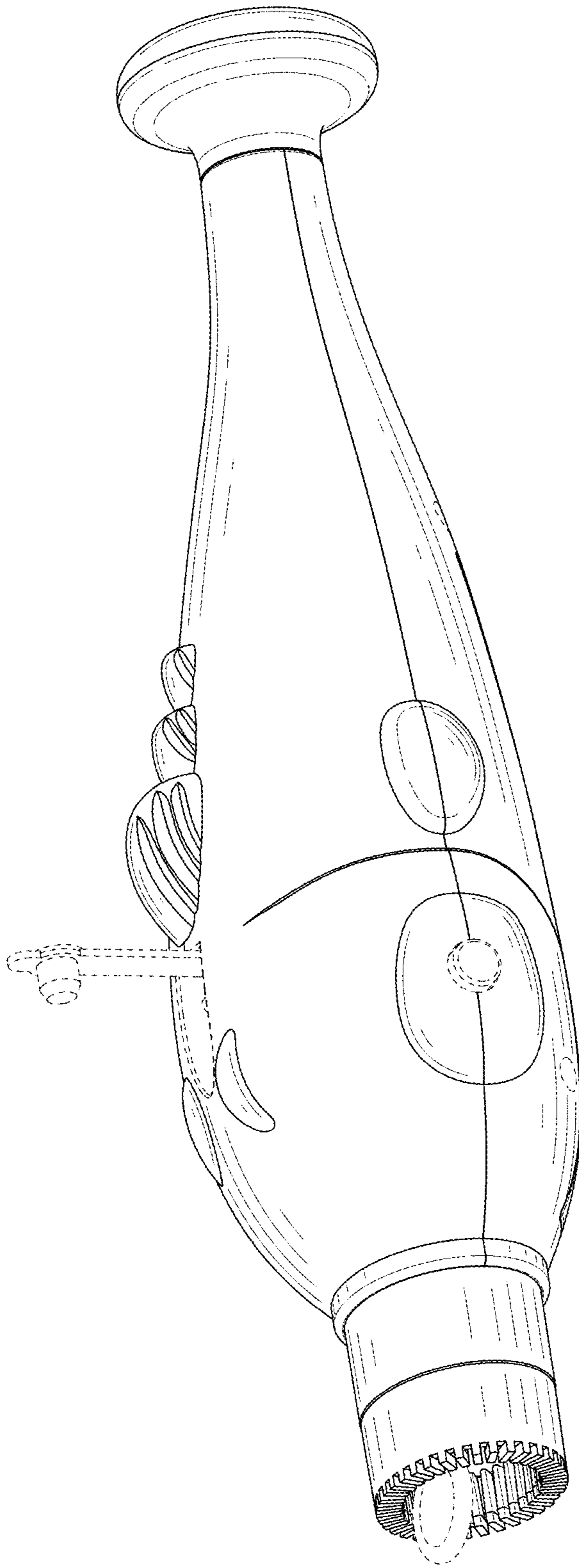


FIG. 1

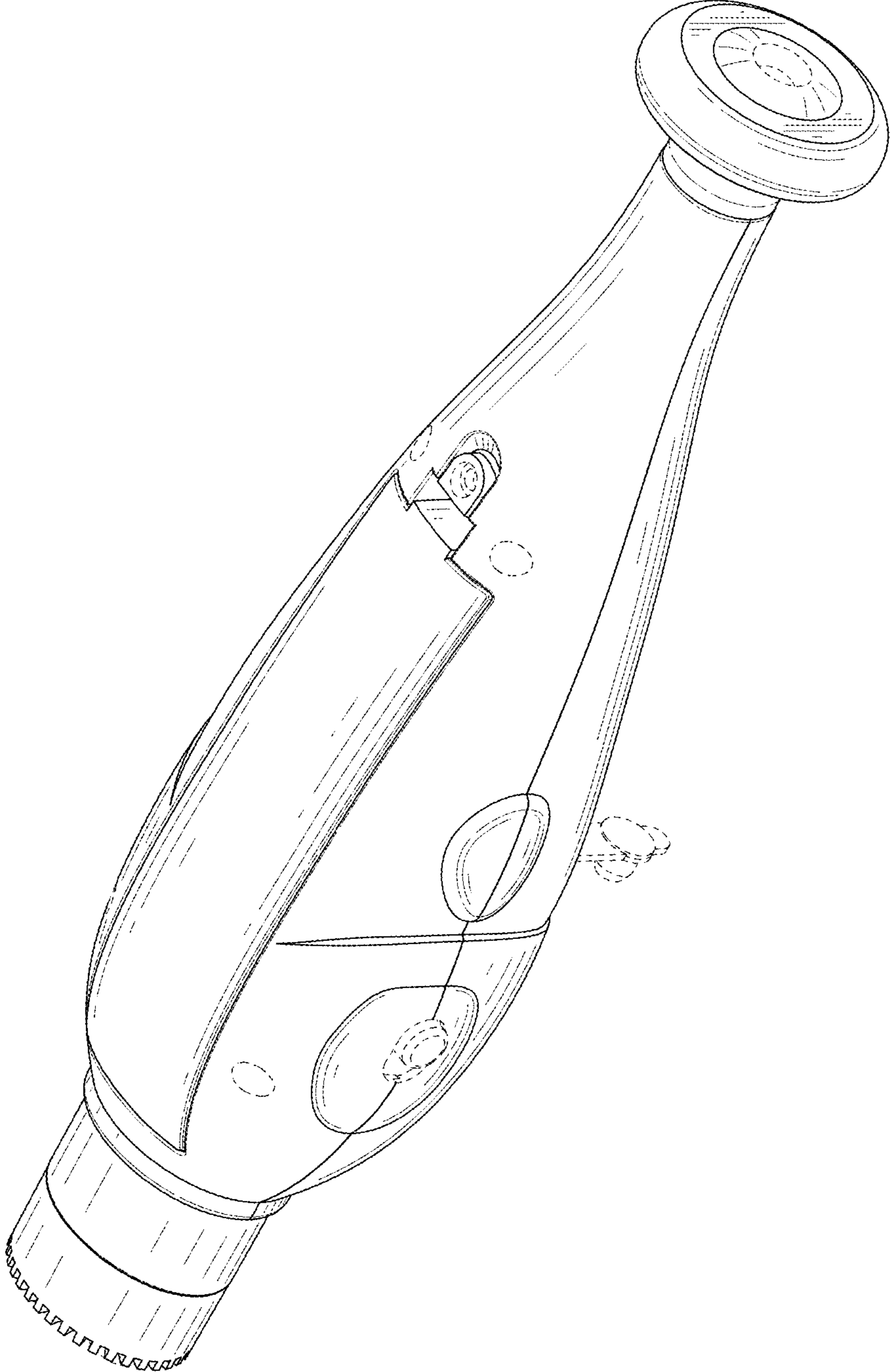


FIG. 2

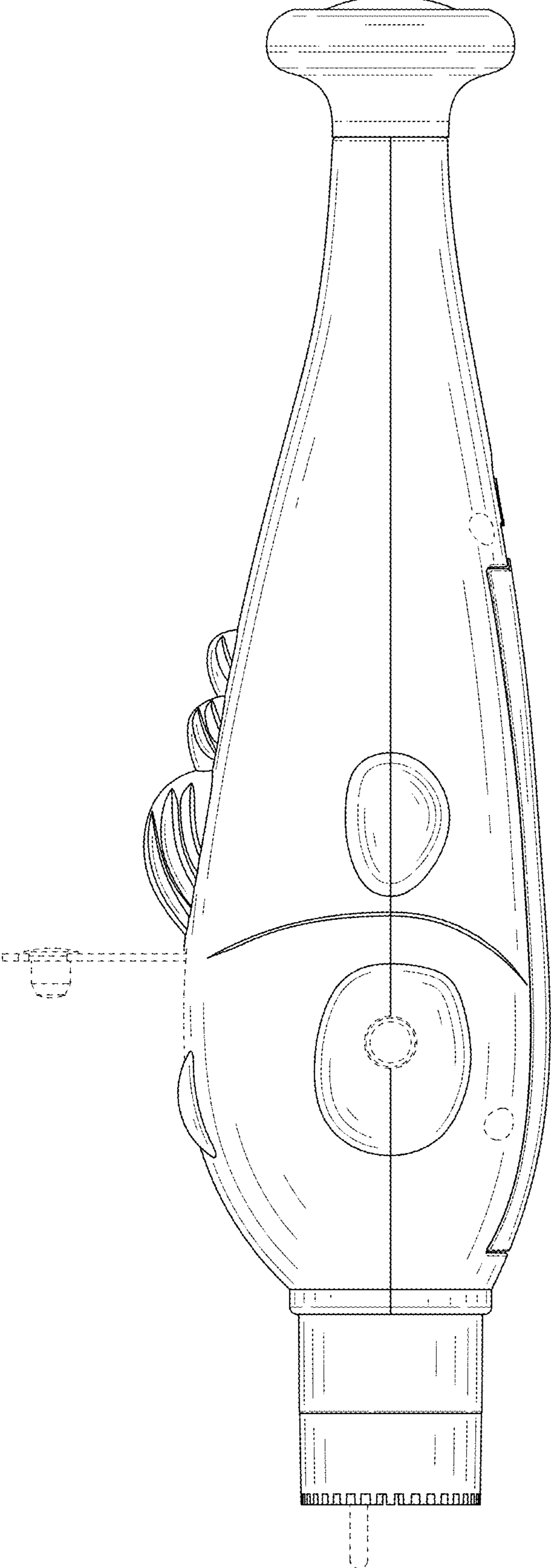


FIG. 3

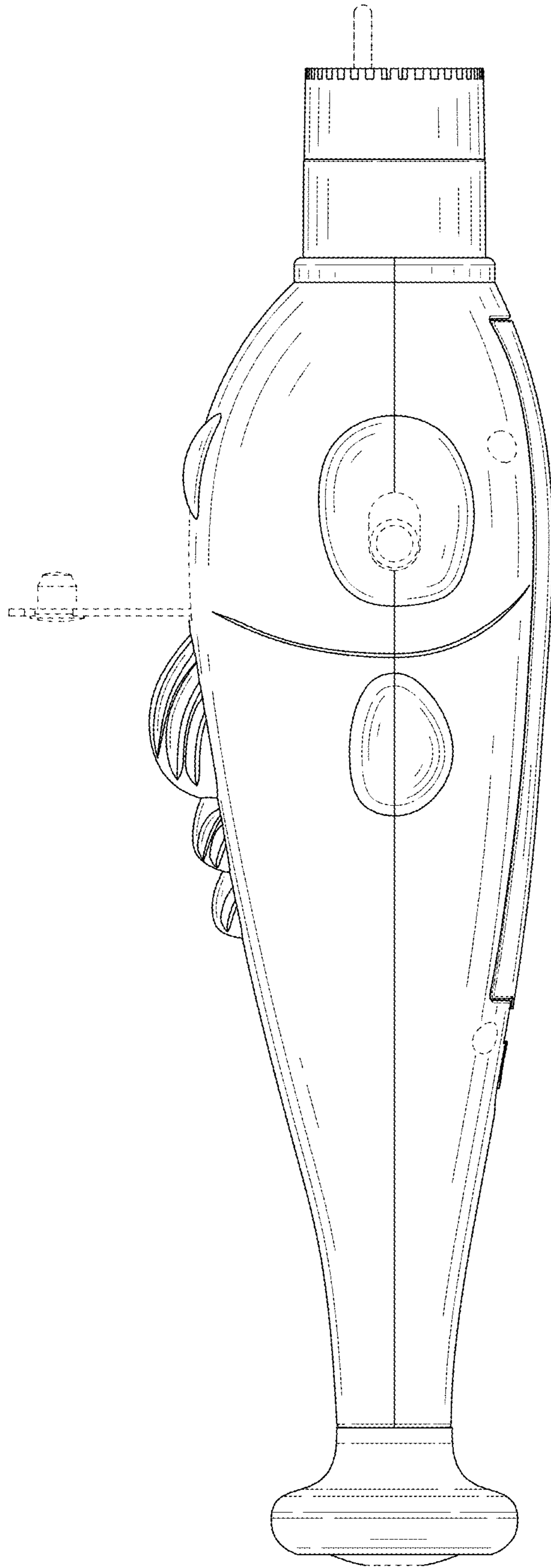


FIG. 4

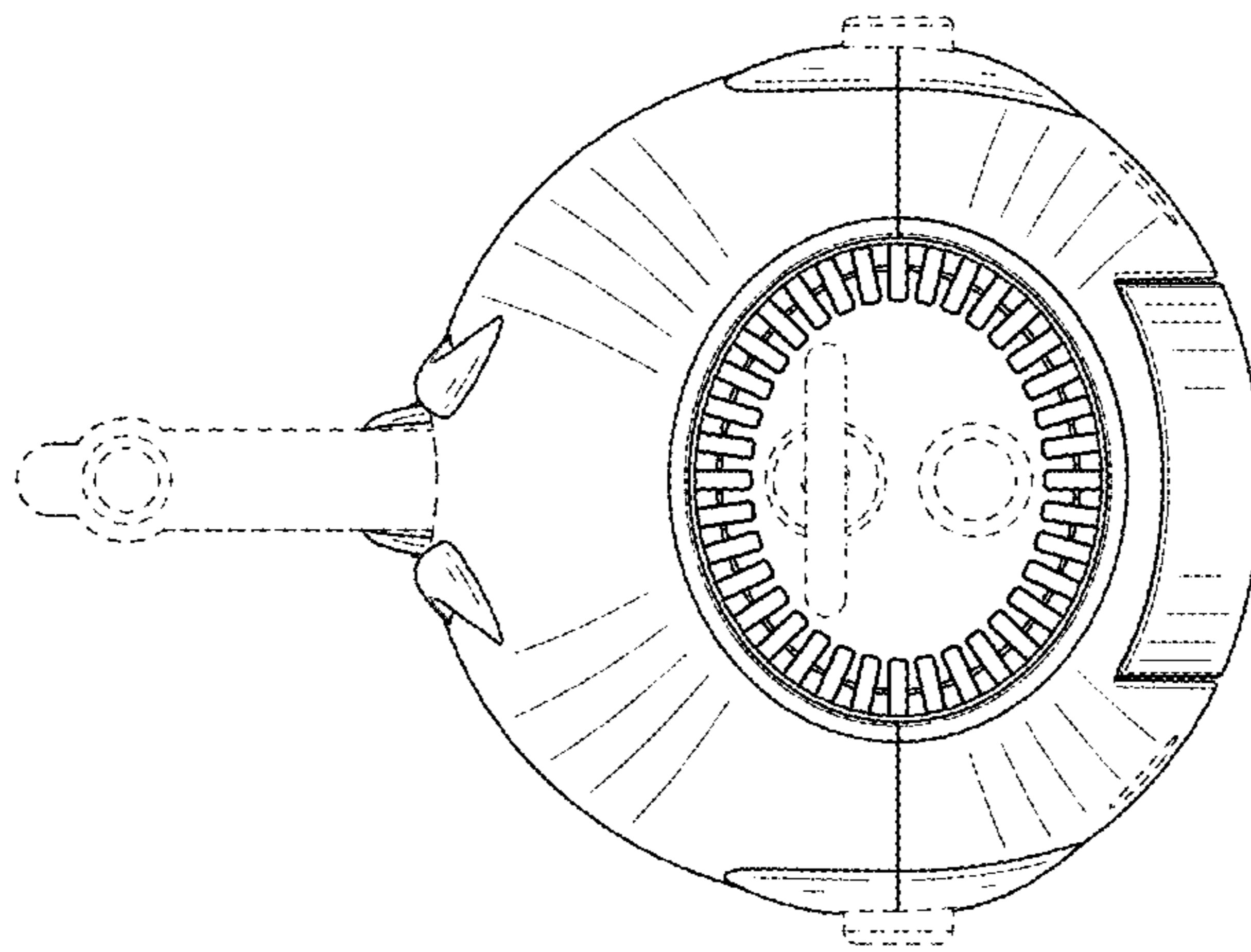


FIG. 5

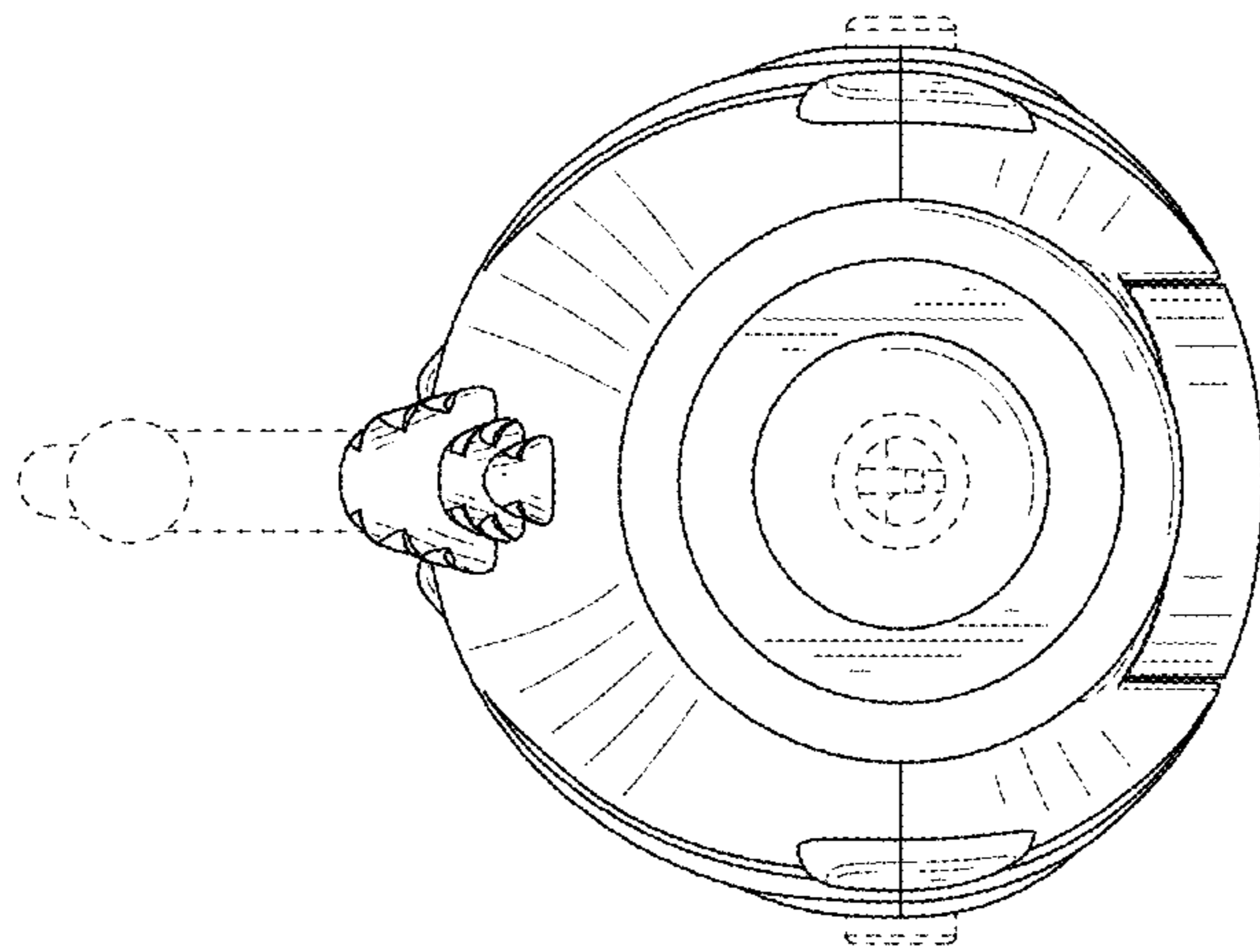


FIG. 6

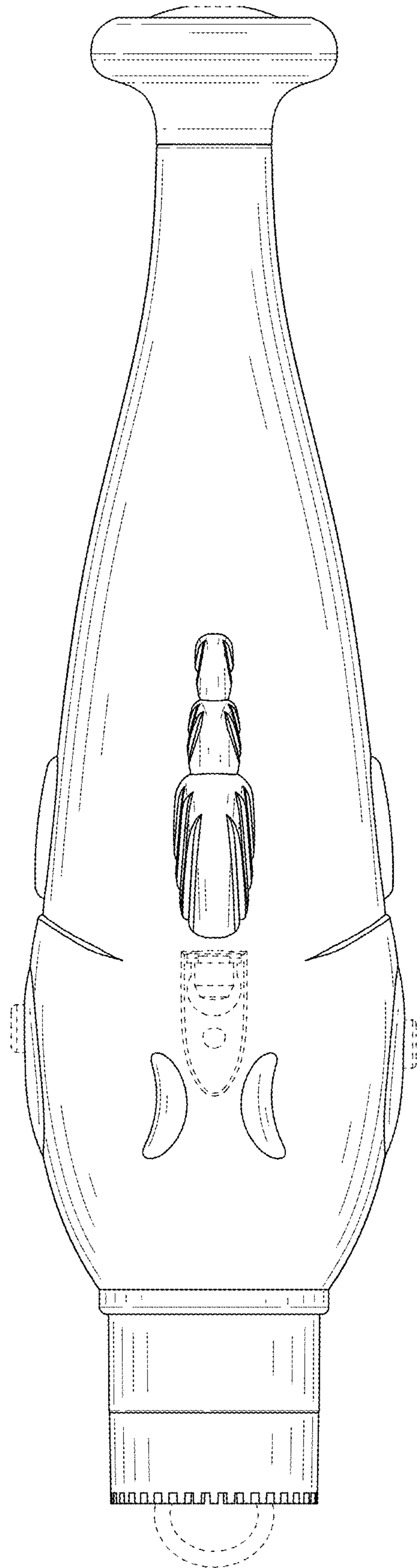


FIG. 7

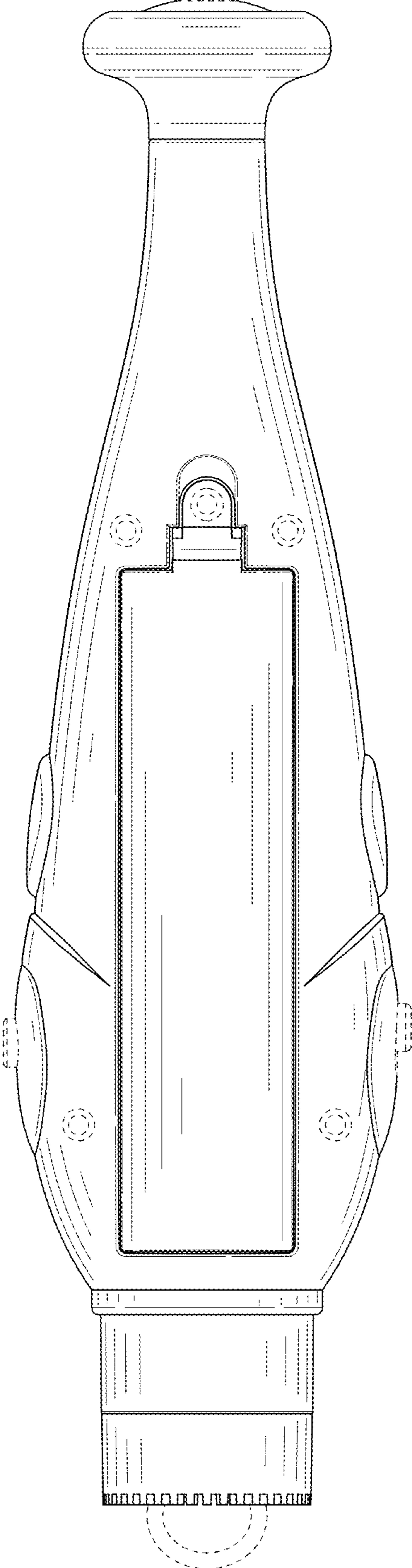


FIG. 8