



US00D895733S

(12) **United States Design Patent** (10) **Patent No.:** **US D895,733 S**  
**Kanter** (45) **Date of Patent:** **\*\* Sep. 8, 2020**

(54) **VIDEO GAME CONSOLE WALL MOUNT**  
(71) Applicant: **HumanCentric Ventures LLC**, Skokie, IL (US)  
(72) Inventor: **Simcha Kanter**, Chicago, IL (US)  
(\*\*) Term: **15 Years**  
(21) Appl. No.: **29/647,199**  
(22) Filed: **May 10, 2018**  
(51) **LOC (12) Cl.** ..... **21-01**  
(52) **U.S. Cl.**  
USPC ..... **D21/333**  
(58) **Field of Classification Search**  
USPC ..... D21/333; D14/217, 229, 230–238, 251, D14/260.1, 313–316, 432, 433, 447, 471, D14/451, 452, 482; D8/354, 387, 358, D8/356, 363–366, 371, 373, 380–384, D8/398, 337, 54; D20/22, 27, 42, 43; D6/315, 320.328, 545  
CPC ..... H05K 7/14; F21V 21/041; F21V 21/042; F21V 21/0832; A47B 87/00; A47B 96/02; A47B 96/06  
See application file for complete search history.

D816,375 S \* 5/2018 Roberts ..... D6/606  
D822,650 S \* 7/2018 Kanter ..... D14/238  
D823,093 S \* 7/2018 Kanter ..... D8/354  
D834,029 S \* 11/2018 Wengreen ..... D14/447  
D837,891 S \* 1/2019 Buller ..... D21/333  
D841,432 S \* 2/2019 Nikayin ..... D8/354  
D841,434 S \* 2/2019 Vrame ..... D8/354  
D848,243 S \* 5/2019 Gupta ..... D8/354  
D850,890 S \* 6/2019 Cole ..... D8/354  
D853,377 S \* 7/2019 Crandon ..... D14/253  
D863,040 S \* 10/2019 DeDios-Shirley ..... D8/354  
2007/0187402 A1\* 8/2007 Dinh ..... H02G 3/126  
220/3.9  
2009/0052128 A1\* 2/2009 Yeh ..... F16M 11/041  
361/679.27  
2012/0168516 A1\* 7/2012 Bolger ..... G06K 19/07758  
235/492

\* cited by examiner

*Primary Examiner* — Sandra S Snapp  
*Assistant Examiner* — Mehri Bajoul

(57) **CLAIM**

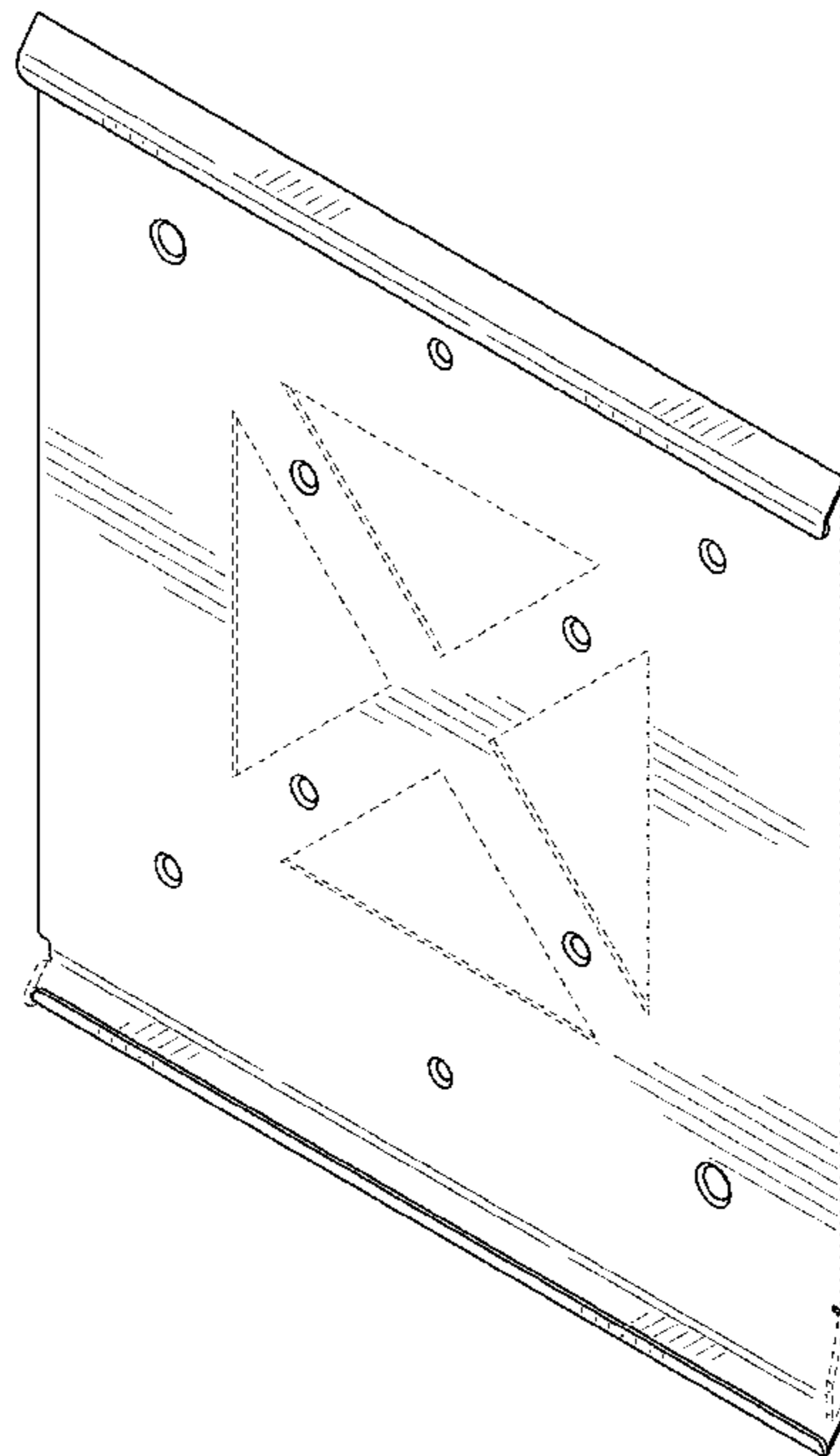
The ornamental design for a video game console wall mount, as shown and described.

**DESCRIPTION**

FIG. 1 is a perspective view of the video game console wall mount showing my new design;  
FIG. 2 is a front view thereof;  
FIG. 3 is a back view thereof;  
FIG. 4 is a left side view thereof;  
FIG. 5 is a right side view thereof;  
FIG. 6 is a top view thereof; and,  
FIG. 7 is a bottom view thereof.  
The dashed lines in the drawings illustrate portions that form no part of the claimed design.

**1 Claim, 3 Drawing Sheets**

(56) **References Cited**  
U.S. PATENT DOCUMENTS  
D705,362 S \* 5/2014 Satake ..... D21/333  
D712,484 S \* 9/2014 Sumii ..... D14/401  
D713,467 S \* 9/2014 Sawhney ..... D21/324  
D724,598 S \* 3/2015 Gelsomini ..... D14/447  
D753,417 S \* 4/2016 Roberts ..... D6/606  
D803,030 S \* 11/2017 Wengreen ..... H05K 5/0204  
D8/354  
D811,200 S \* 2/2018 Gupta ..... D8/354



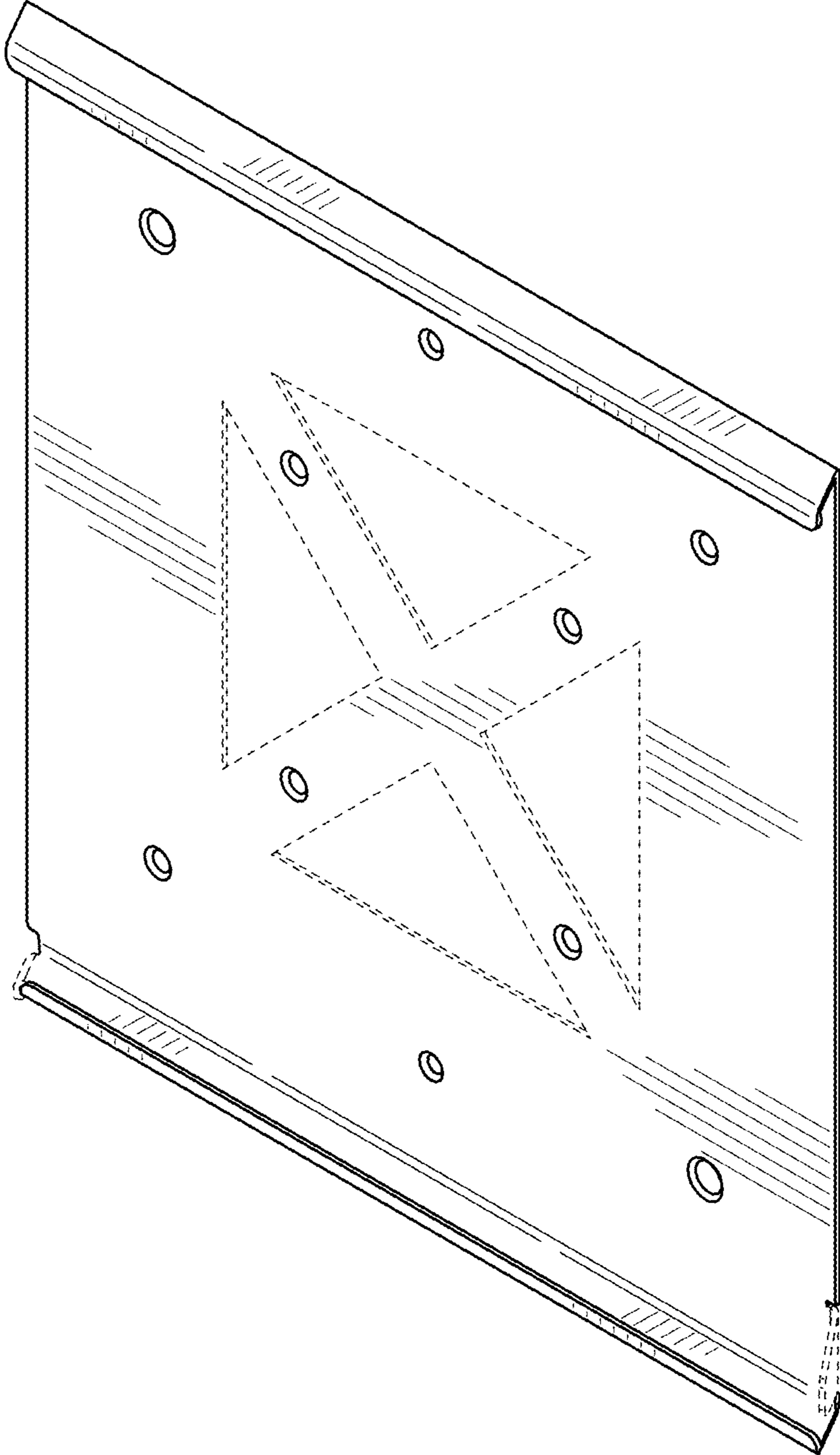


FIG. 1

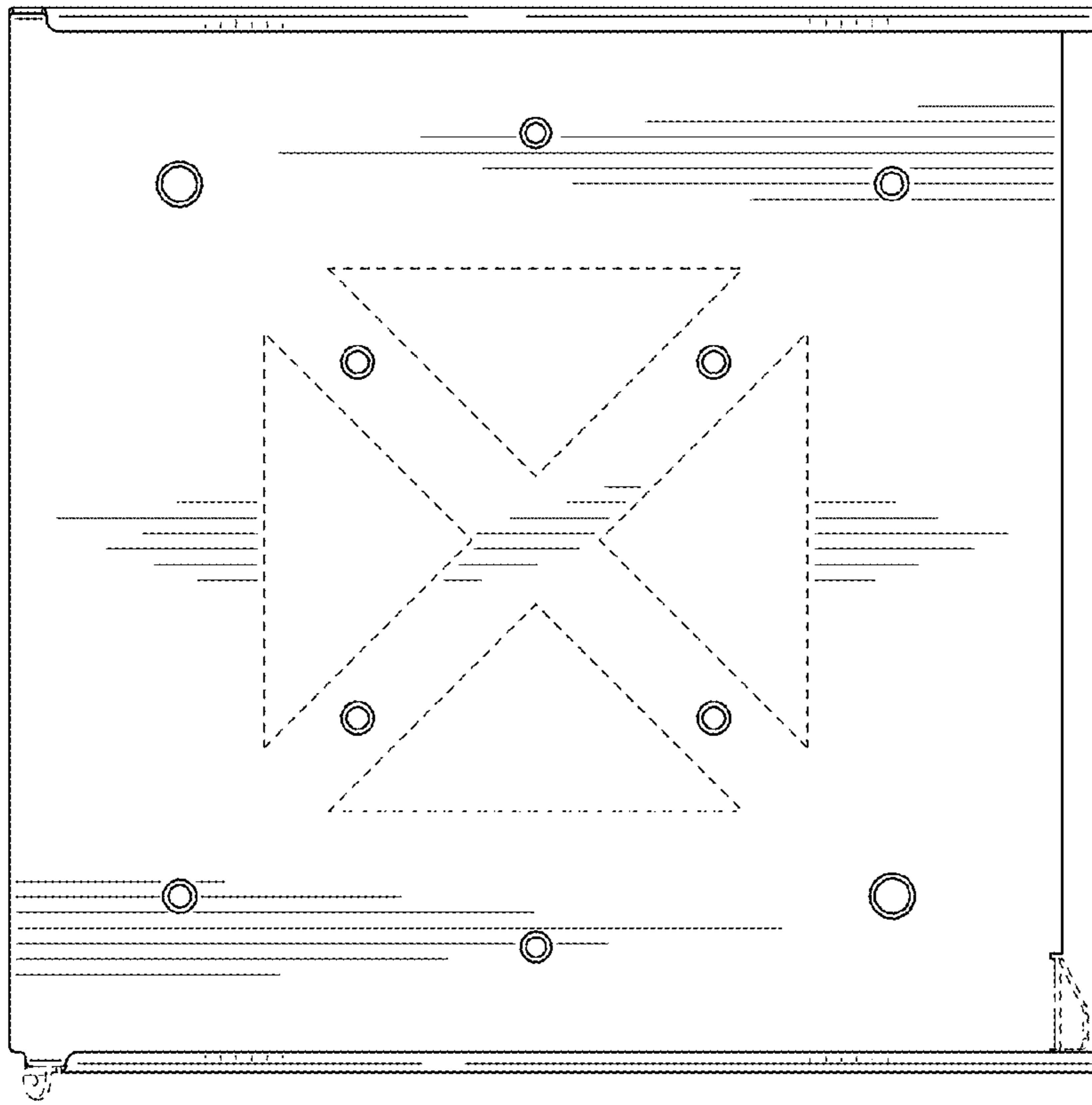


FIG. 2

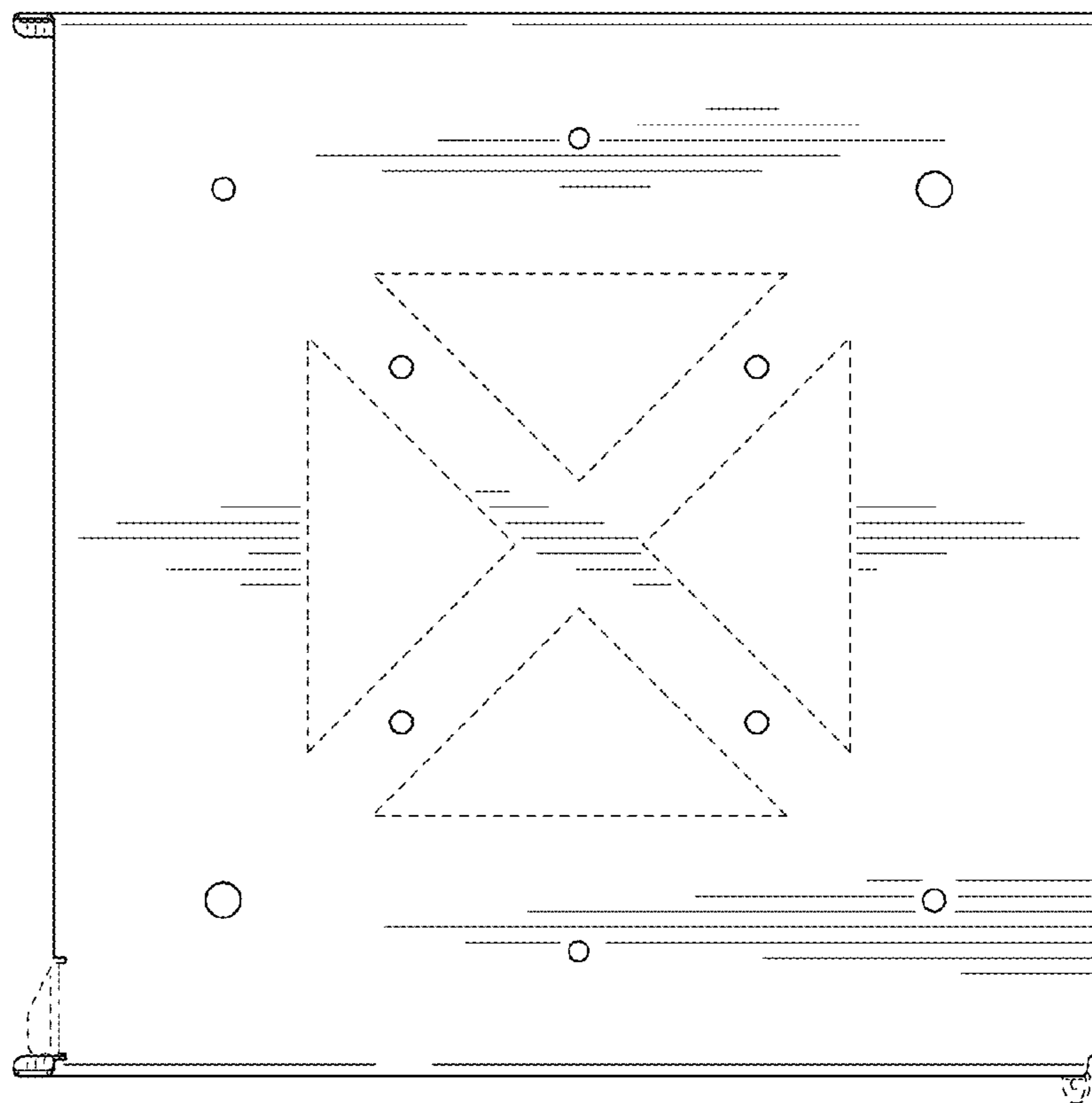


FIG. 3



FIG. 4

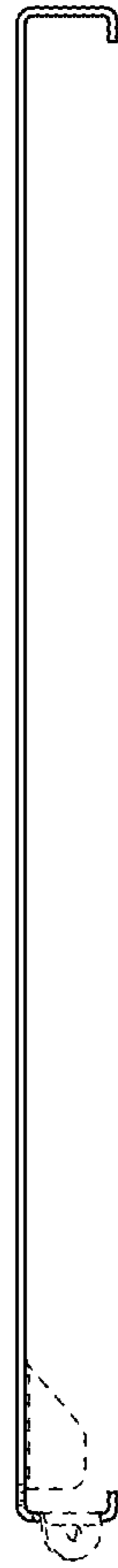


FIG. 5



FIG. 6

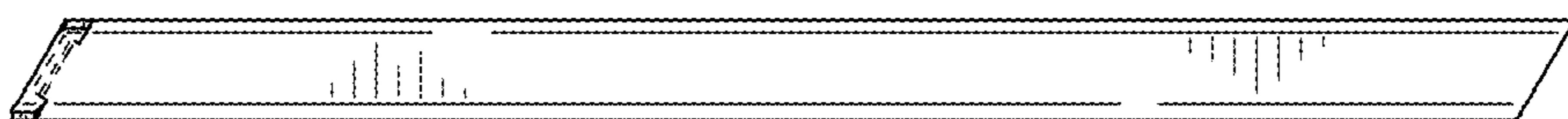


FIG. 7