



US00D895732S

(12) **United States Design Patent** (10) **Patent No.:** **US D895,732 S**  
**Saleeby** (45) **Date of Patent:** **\*\* Sep. 8, 2020**

(54) **GAMING BOARD**

FOREIGN PATENT DOCUMENTS

(71) Applicant: **Mark Saleeby**, Hartsville, SC (US)

GB 000207914 A 12/1923  
GB 001258914 A 12/1971

(72) Inventor: **Mark Saleeby**, Hartsville, SC (US)

OTHER PUBLICATIONS

(73) Assignee: **Semper Fi Industries, Inc.**, Hartsville, SC (US)

“Beer Pong Golf” bei Startex, posted Oct. 9, 2017 [online], [retrieved Sep. 30, 2019. Retrieved from internet, [https://www.youtube.com/watch?v=I\\_2WF9mWR40](https://www.youtube.com/watch?v=I_2WF9mWR40).\*

(\*\*) Term: **15 Years**

(Continued)

(21) Appl. No.: **29/637,552**

*Primary Examiner* — Sandra S Snapp  
*Assistant Examiner* — Mehri F Bajoul

(22) Filed: **Feb. 20, 2018**

(74) *Attorney, Agent, or Firm* — Buchanan Ingersoll & Rooney PC

(51) **LOC (12) Cl.** ..... **21-01**

(52) **U.S. Cl.**  
USPC ..... **D21/303**

(58) **Field of Classification Search**  
USPC ..... D6/302, 309, 310, 312, 332; 273/402;  
D21/300, 301, 302, 303, 304, 319, 322,  
D21/334, 335, 336, 341, 342, 343, 365,  
D21/396, 789, 790, 791, 397  
CPC ..... A63B 63/00; A63B 63/08; A63F 9/0204  
See application file for complete search history.

(57) **CLAIM**

The ornamental design for a gaming board, as shown and described.

(56) **References Cited**

**DESCRIPTION**

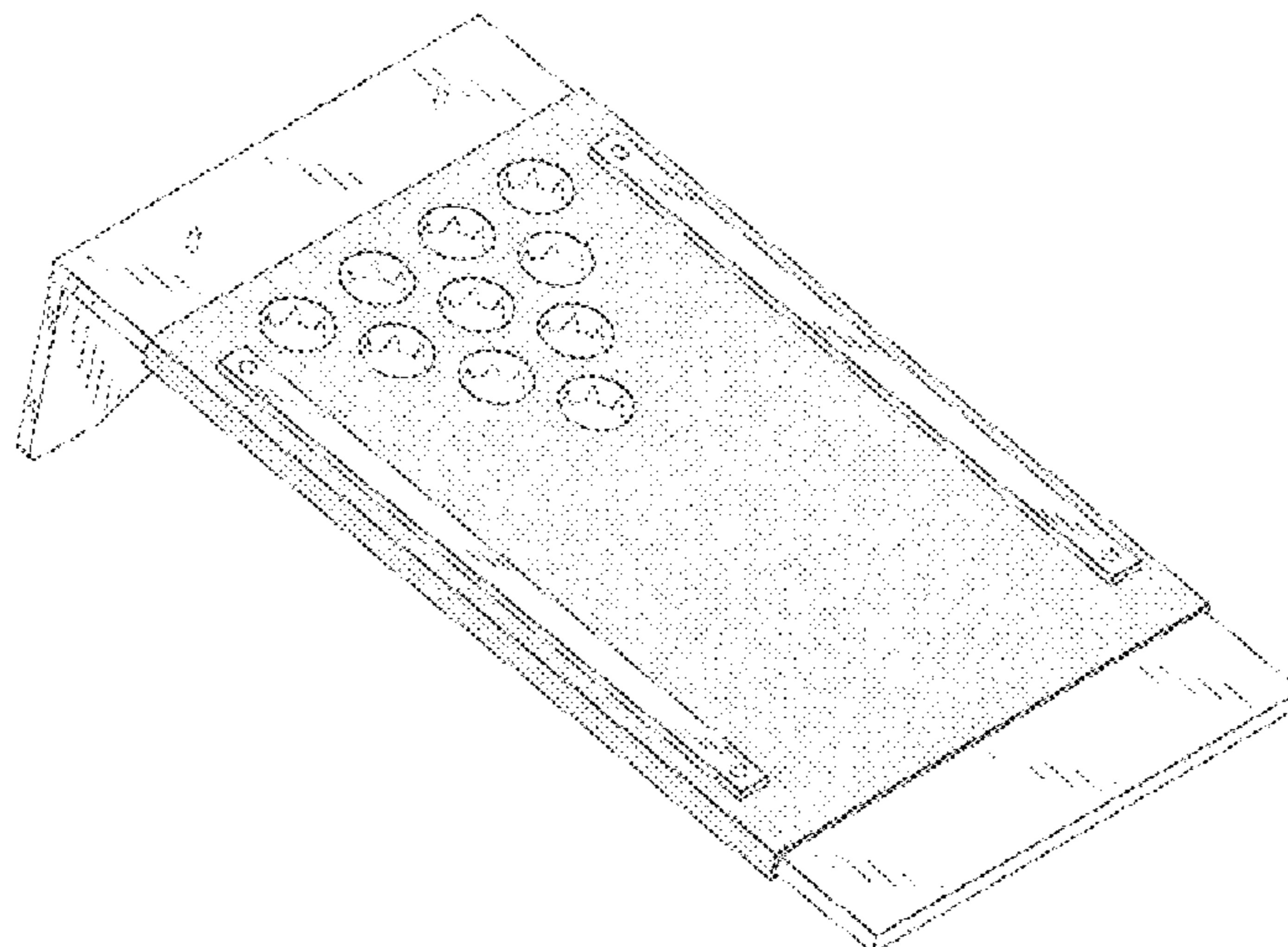
U.S. PATENT DOCUMENTS

2,050,914 A	4/1935	Anderson	
2,646,577 A	11/1949	Thayer	
3,458,196 A	9/1969	Monzulla et al.	
3,628,793 A	12/1971	Modloff	
4,012,042 A	3/1977	Blasingame	
4,203,592 A	5/1980	Quatkemeyer	
4,243,229 A *	1/1981	Huser	A63F 9/0204 273/402
4,336,939 A	6/1982	Krumlauf	
4,736,955 A	4/1988	Pollock	
4,968,041 A	11/1990	Calvo	
5,056,797 A	10/1991	Hockert et al.	
5,320,360 A *	6/1994	St. Pierre	A63F 9/0204 273/402
D363,953 S *	11/1995	Buse	D21/303
5,533,734 A *	7/1996	Husk	A63B 67/06 273/402

FIG. 1 is a top front perspective view of a gaming board showing my new design.  
FIG. 2 is a top back perspective view thereof.  
FIG. 3 is top plan view thereof.  
FIG. 4 is a bottom plan view thereof.  
FIG. 5 is an edge view from a right side thereof.  
FIG. 6 is an edge view from a left side thereof.  
FIG. 7 is a front side view thereof;  
FIG. 8 is a back side view thereof; and,  
FIG. 9 is a top back perspective view thereof.  
The broken lines in FIGS. 1-9 depict portions of the gaming board that form no part of the claimed design. The broken lines showing the club, the balls, and the chipping mat in FIG. 9 illustrate environmental structure and form no part of the claimed design.

(Continued)

**1 Claim, 7 Drawing Sheets**



(56)

References Cited

U.S. PATENT DOCUMENTS

5,570,888 A 11/1996 Robinson et al.  
D438,910 S \* 3/2001 Culberson ..... D21/303  
7,313,835 B1 1/2008 Hodges  
7,325,807 B1 2/2008 Eason  
7,607,666 B1 \* 10/2009 Studier ..... A63B 63/00  
116/222  
D626,328 S 11/2010 Glaser  
D645,520 S \* 9/2011 Dahl ..... D21/303  
8,127,689 B2 3/2012 Christian et al.  
8,162,318 B1 4/2012 Peterson et al.  
8,662,501 B1 \* 3/2014 Perales ..... A63B 63/08  
108/44  
D706,353 S \* 6/2014 Montenare ..... D21/303  
D706,354 S \* 6/2014 Montenare ..... D21/303  
D706,355 S \* 6/2014 Montenare ..... D21/303  
8,905,406 B2 12/2014 Brown  
D729,319 S \* 5/2015 Meissner ..... D21/303  
D729,320 S \* 5/2015 Parker ..... D21/303  
9,192,841 B1 11/2015 Montgomery  
D763,358 S \* 8/2016 Quick ..... D21/303  
D827,078 S \* 8/2018 McAuley ..... D21/790  
10,286,276 B2 \* 5/2019 O'Neill ..... F21V 3/0625  
D852,277 S \* 6/2019 Wyllie ..... D21/303  
D860,324 S \* 9/2019 Kennedy ..... D21/303  
D860,325 S 9/2019 Ding

2003/0060309 A1 3/2003 Smith, IV  
2004/0025795 A1 2/2004 Miale et al.  
2006/0226606 A1 \* 10/2006 Finley ..... A63B 67/002  
273/342  
2011/0037226 A1 2/2011 Nickles  
2012/0038108 A1 \* 2/2012 McLaughlin, Jr. .... A63B 63/08  
273/402  
2013/0082442 A1 \* 4/2013 Hanel ..... A63B 63/00  
273/398  
2013/0134677 A1 \* 5/2013 McDonnell ..... A63F 9/00  
273/398  
2014/0151963 A1 \* 6/2014 Bennett ..... A63B 67/06  
273/348  
2015/0137452 A1 5/2015 Dahl et al.  
2016/0023095 A1 1/2016 Nally  
2016/0192783 A1 7/2016 Kelly  
2018/0056155 A1 \* 3/2018 McAuley ..... A63B 63/08  
2018/0333624 A1 \* 11/2018 Wilson ..... A63B 63/08  
2019/0054359 A1 \* 2/2019 Saleeby ..... A63B 63/08

OTHER PUBLICATIONS

“Beer Pong Golf” bei Startex, posted Feb. 4, 2018[online], [retrieved Sep. 30, 2019. Retrieved from internet, [https://www.youtube.com/watch?v=EWpun\\_U1fJU](https://www.youtube.com/watch?v=EWpun_U1fJU).\*

\* cited by examiner



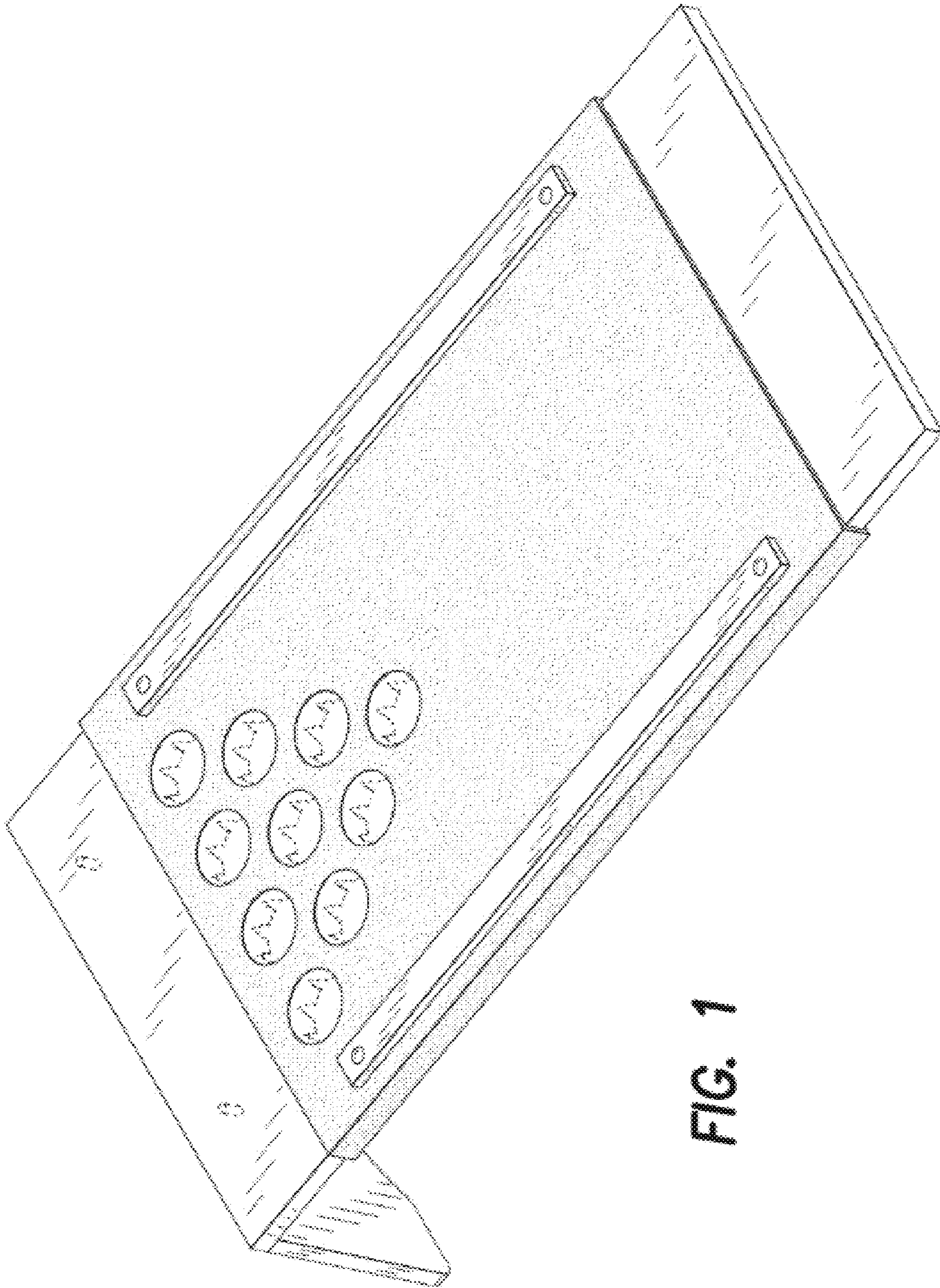


FIG. 1

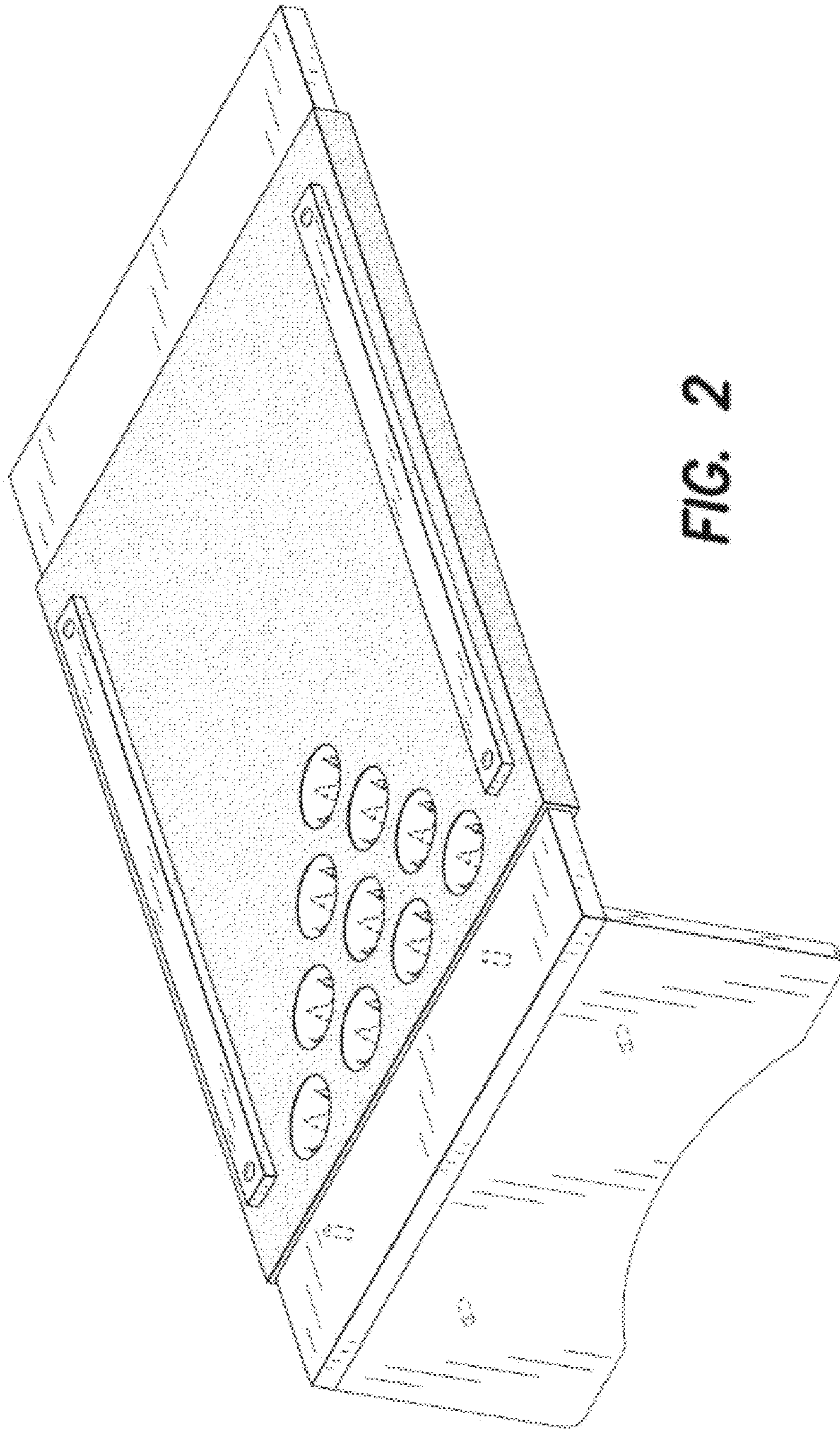


FIG. 2



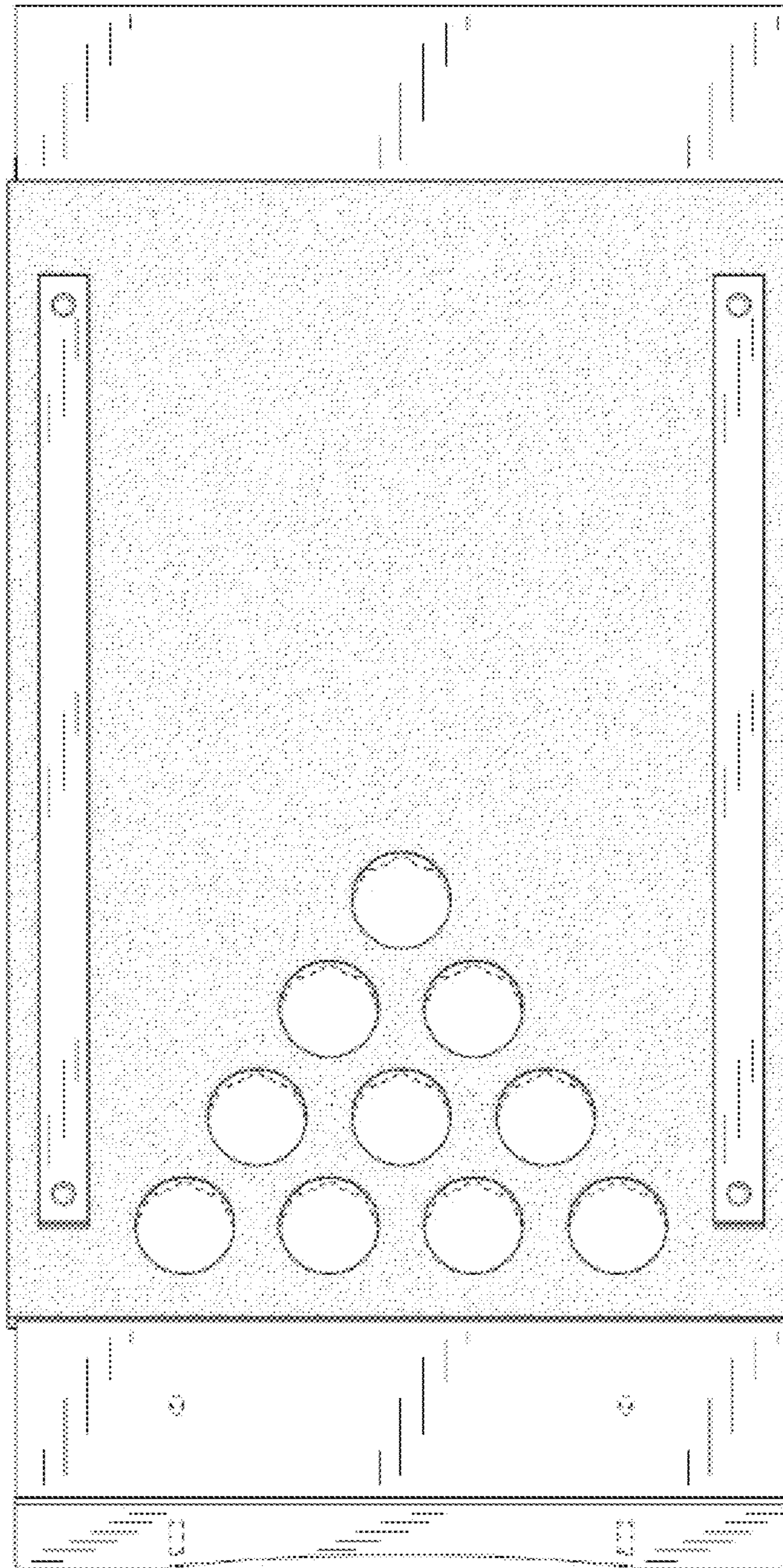


FIG. 3

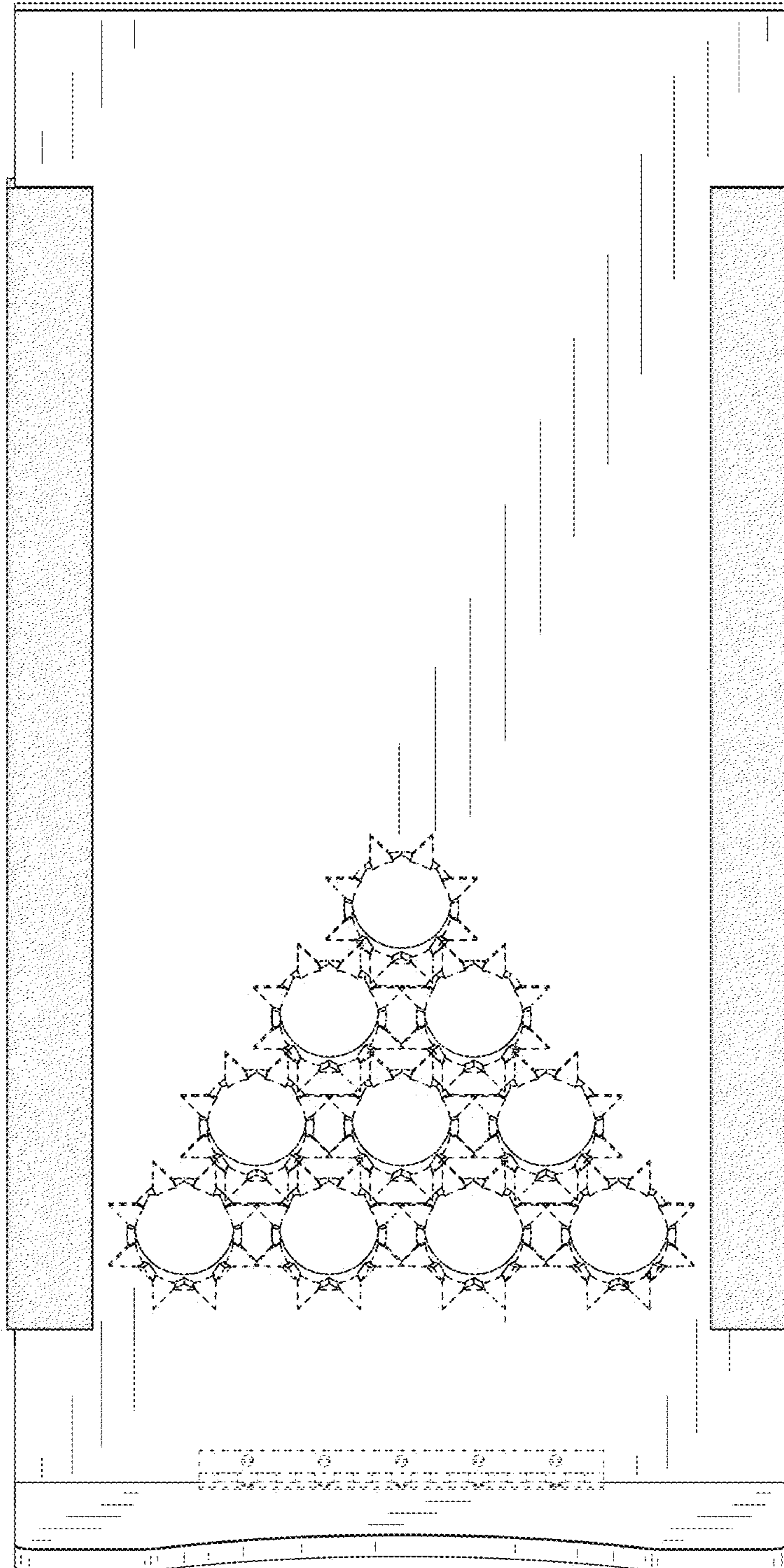


FIG. 4

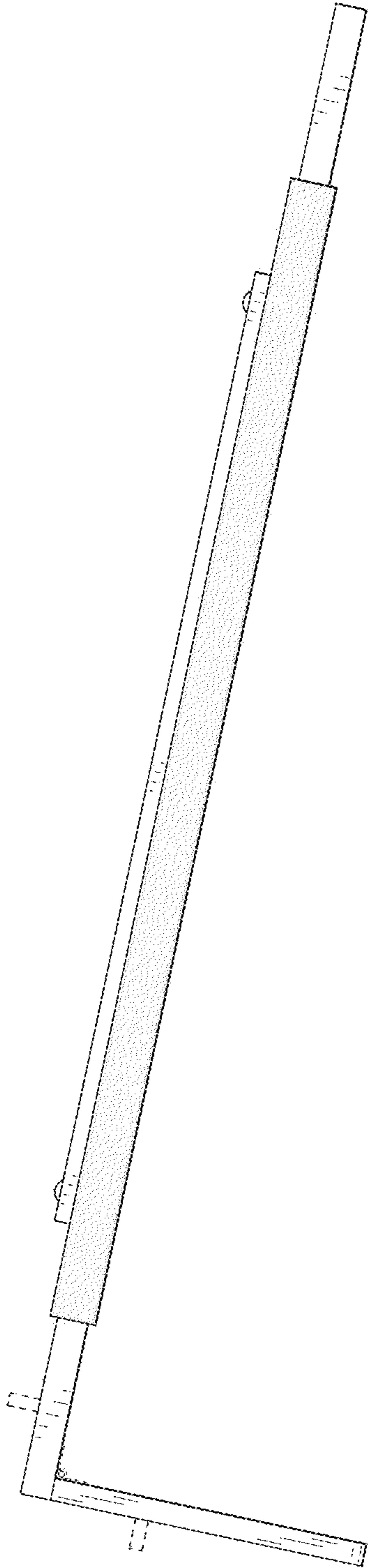


FIG. 5

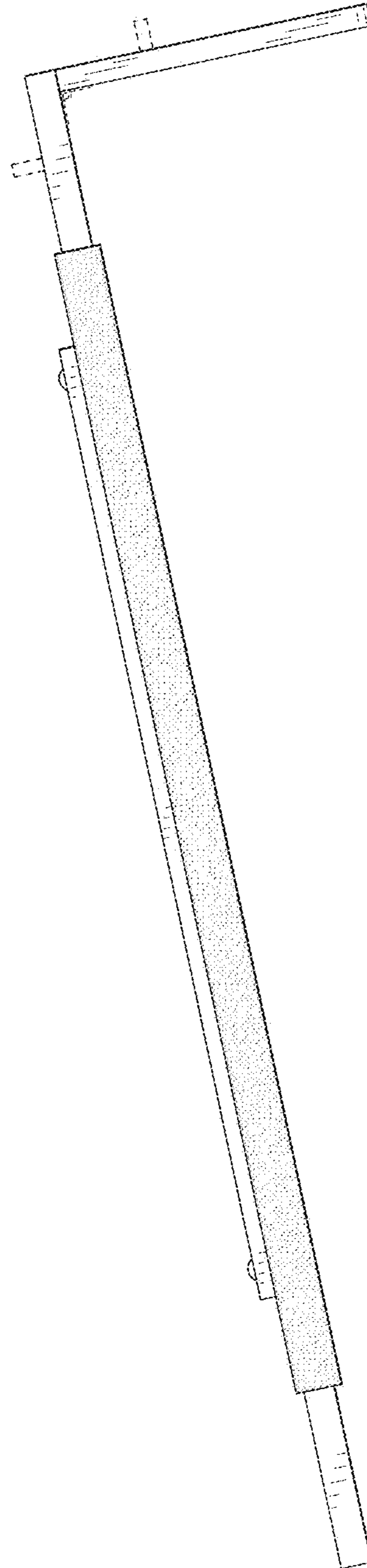


FIG. 6



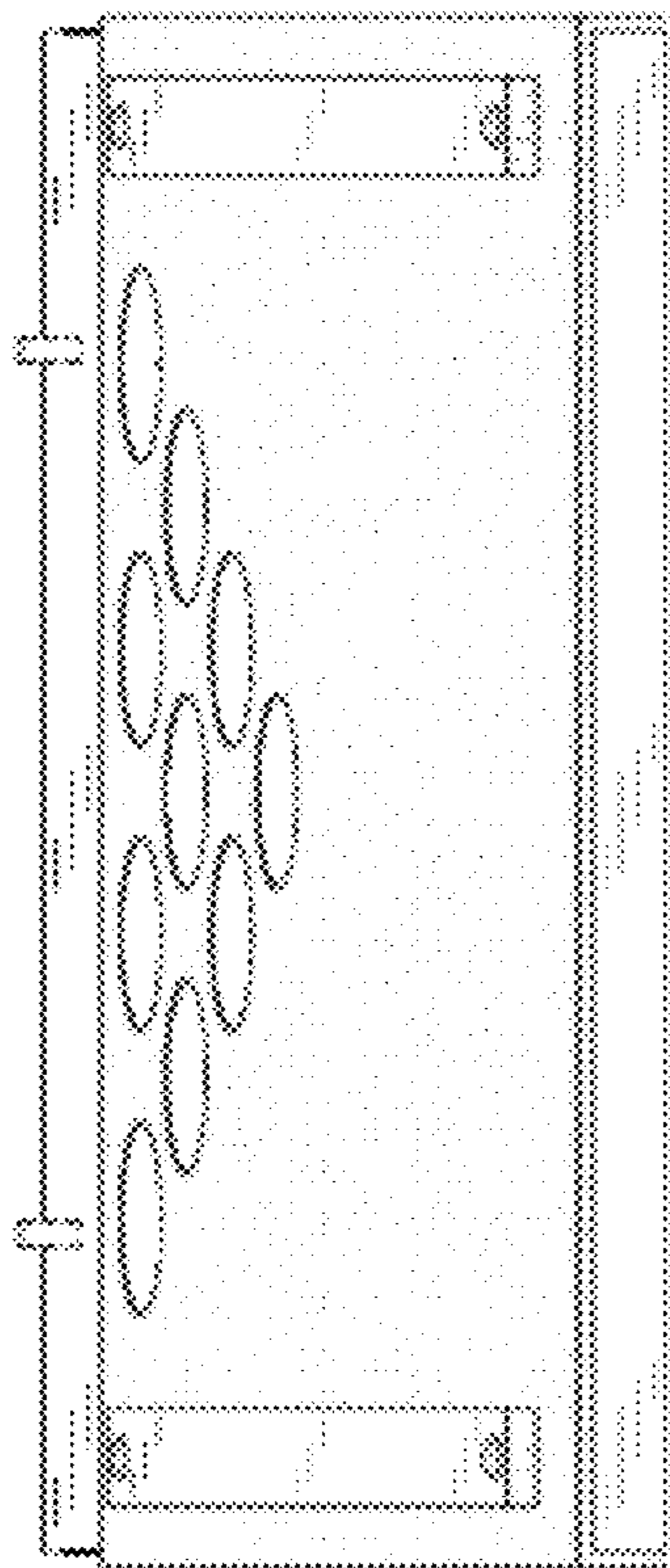


FIG. 7

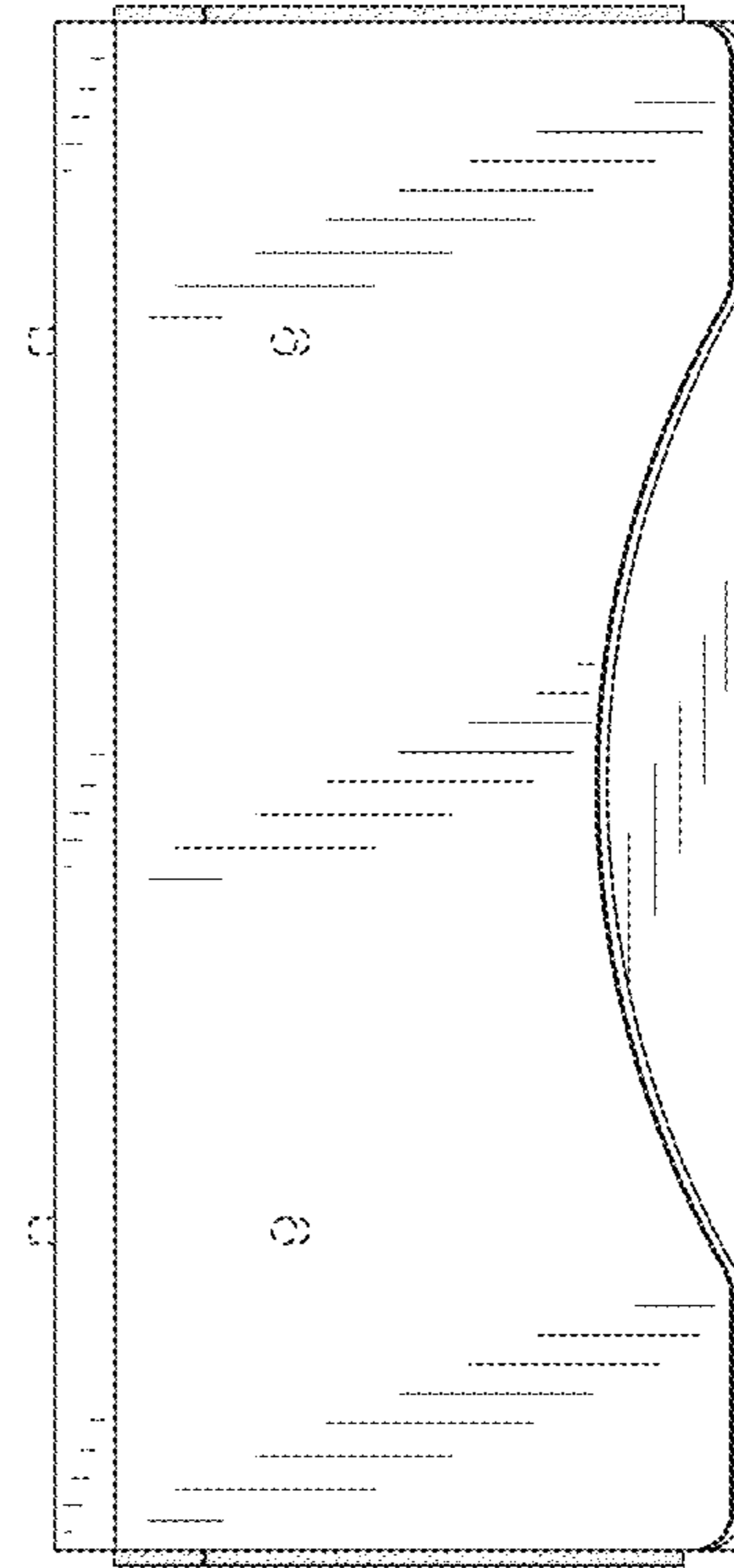


FIG. 8



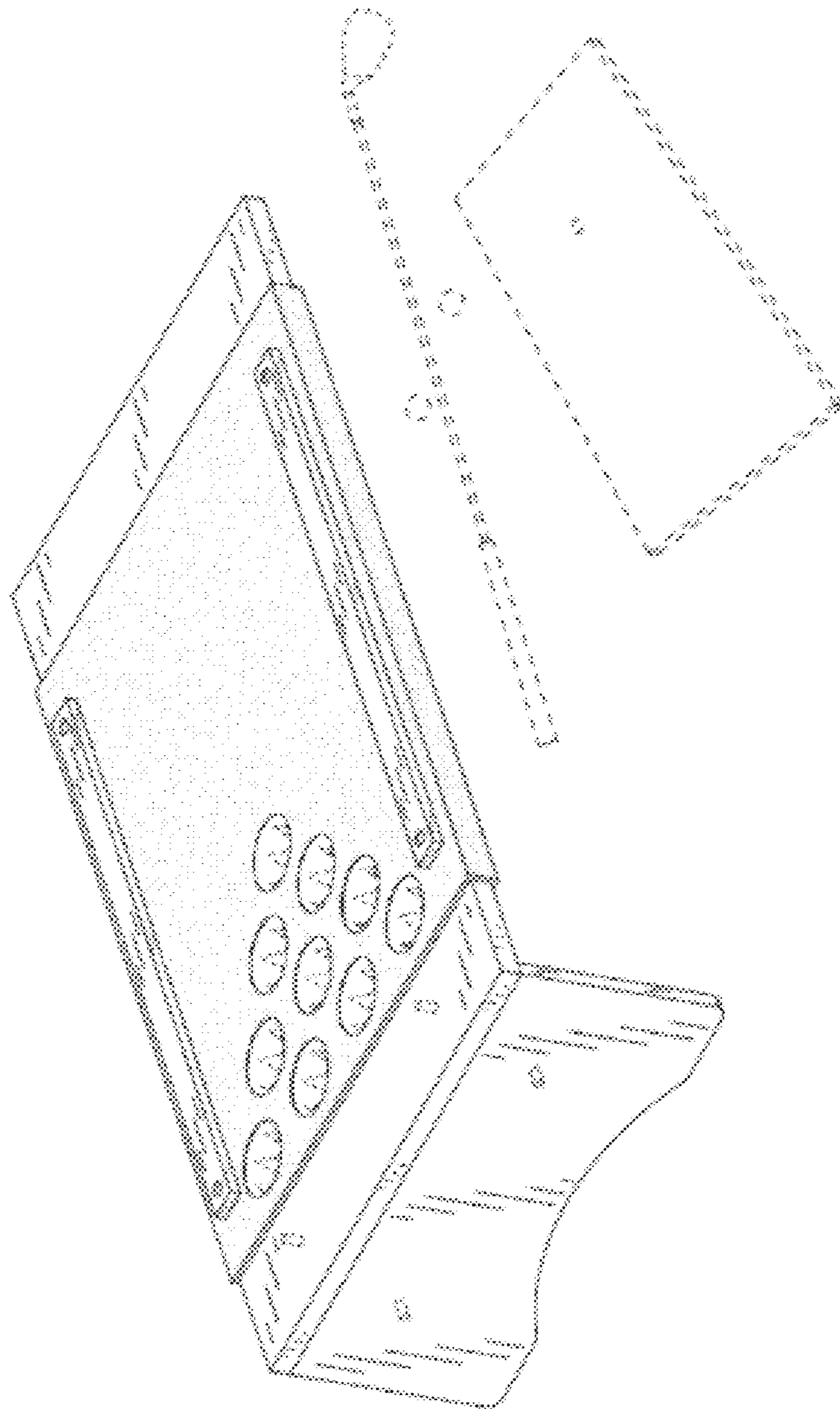


FIG. 9