



US00D895731S

(12) **United States Design Patent**
Schwab et al.

(10) **Patent No.:** **US D895,731 S**
(45) **Date of Patent:** **** Sep. 8, 2020**

- (54) **LABEL**
- (71) Applicant: **American Greetings Corporation**,
Cleveland, OH (US)
- (72) Inventors: **Kelle Schwab**, Lakewood, OH (US);
Christine Schwager, Medina, OH
(US); **Kristy Hoy**, Rocky River, OH
(US); **Alex McClelland**, Lakewood, OH
(US); **Corey Baker**, Fairview Park, OH
(US)
- (73) Assignee: **American Greetings Corporation**,
Cleveland, OH (US)
- (**) Term: **15 Years**
- (21) Appl. No.: **29/678,589**
- (22) Filed: **Jan. 30, 2019**
- (51) **LOC (12) Cl.** **19-08**
- (52) **U.S. Cl.**
USPC **D20/27**; D19/1
- (58) **Field of Classification Search**
USPC D9/550, 563; D10/46, 47, 52, 104.1,
D10/104.2; D14/490, 491; D19/1, 2, 3,
D19/4, 5, 6, 7, 8, 9, 10, 11, 12; D20/10,
D20/11, 18, 22, 23, 24, 25, 26, 27, 28,
D20/29, 40, 43, 44, 49
CPC G09F 1/00; G09F 1/04; G09F 3/00; G09F
3/005; G09F 3/0288; G09F 3/0289; G09F
3/02; G09F 3/04; G09F 3/06; G09F 3/08;
G09F 3/10; G06K 19/0776
See application file for complete search history.

- (56) **References Cited**
U.S. PATENT DOCUMENTS
1,922,767 A * 8/1933 Humphner G09F 3/02
40/638
2,303,346 A * 12/1942 Flood B31D 1/021
156/152

- 2,434,545 A * 1/1948 Brady, Jr. G09F 3/10
206/447
- 3,585,743 A * 6/1971 Jeffers A01K 27/006
40/665
- 4,188,251 A * 2/1980 Grass B31D 1/021
156/248
- 5,785,354 A * 7/1998 Haas G04F 1/00
283/114
- 6,173,876 B1 * 1/2001 Sano B26D 1/0006
225/39
- D456,837 S 5/2002 Leon
- D457,913 S 5/2002 Leon
- D466,152 S 11/2002 Leon
- 6,521,312 B1 * 2/2003 Keiser B32B 27/08
428/41.8
- 2002/0176973 A1 * 11/2002 Keiser B32B 27/327
428/212
- 2005/0279001 A1 * 12/2005 Riley G09F 3/005
40/633

(Continued)

Primary Examiner — Mary Ann Calabrese
Assistant Examiner — Catherine Ho
(74) *Attorney, Agent, or Firm* — Christine Flanagan

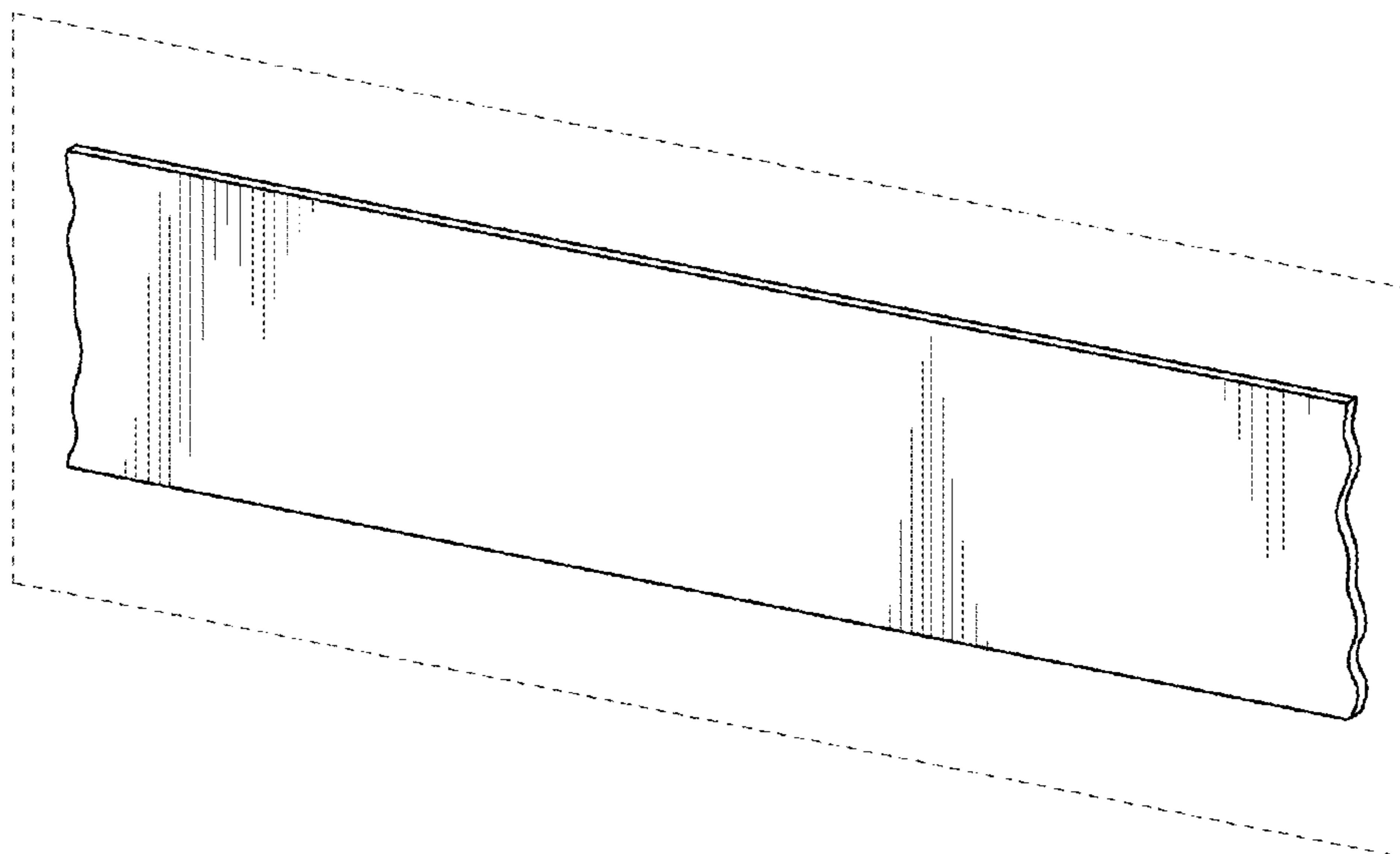
(57) **CLAIM**

We claim the ornamental design for a label, as shown and described.

DESCRIPTION

FIG. 1 is a perspective view of a label, showing my new design;
FIG. 2 is a front view thereof;
FIG. 3 is a rear view thereof;
FIG. 4 is a left side view thereof;
FIG. 5 is a right side view thereof;
FIG. 6 is a top down view thereof; and,
FIG. 7 is a bottom up view thereof.
The broken lines are for the purpose of illustrating the environment of the design only and form no part of the claimed design.

1 Claim, 1 Drawing Sheet



(56)

References Cited

U.S. PATENT DOCUMENTS

2008/0109937 A1* 5/2008 Greer A44C 5/0053
2/162
2013/0056974 A1* 3/2013 Jain G09F 3/005
283/99

* cited by examiner

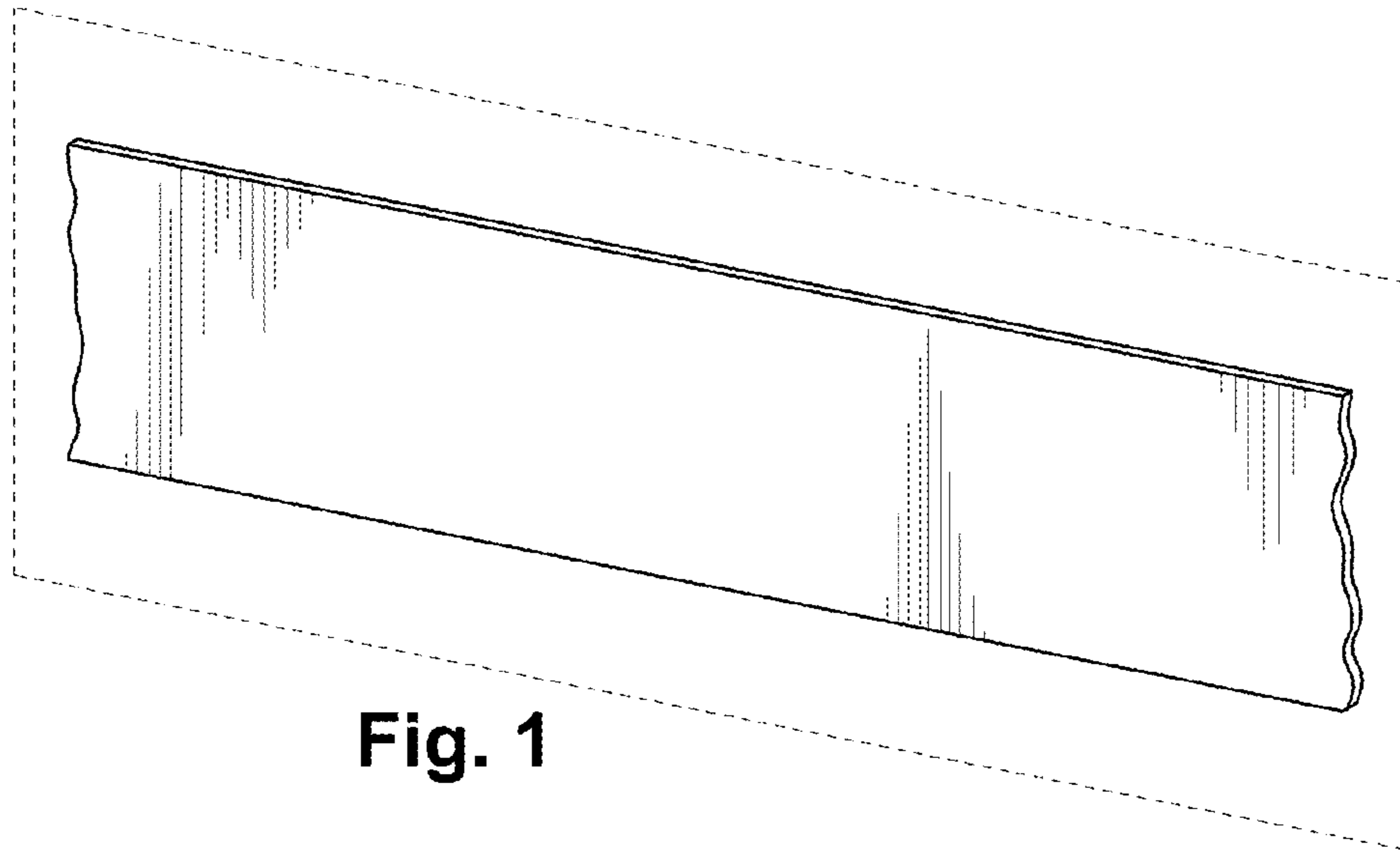


Fig. 1

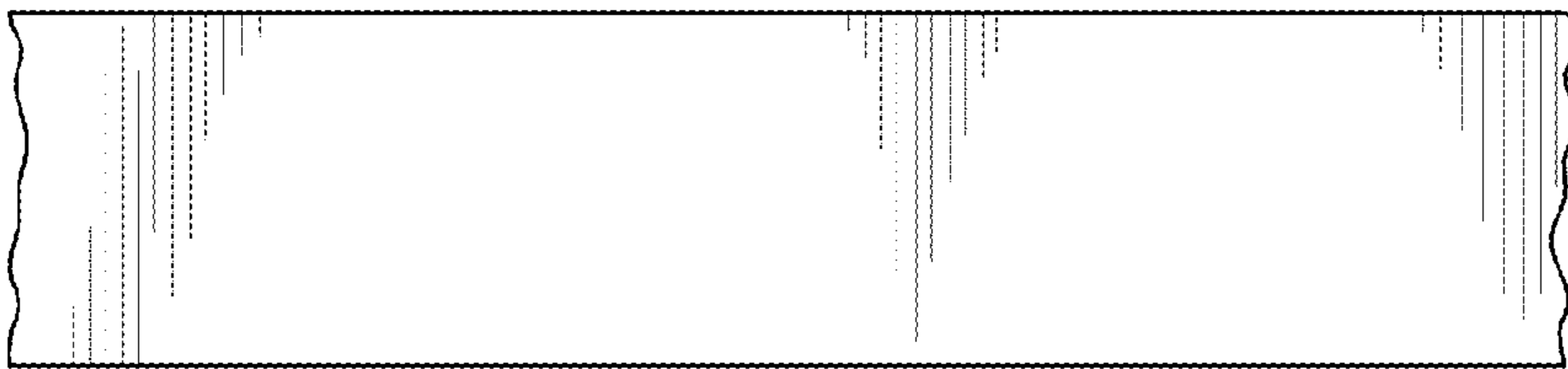


Fig. 2

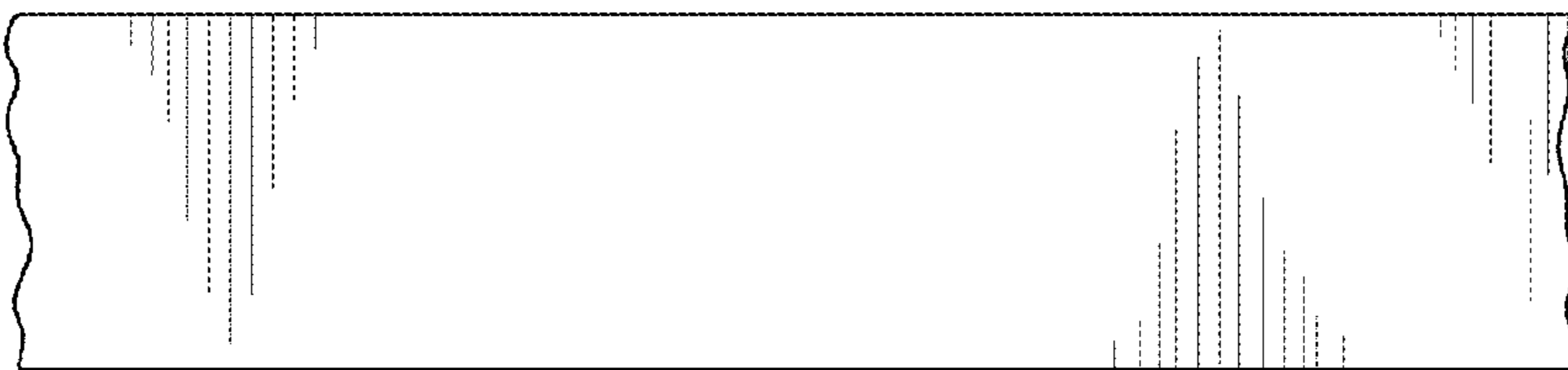


Fig. 3

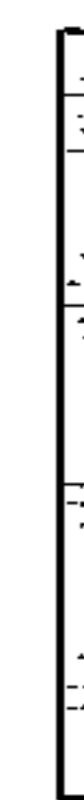


Fig. 4



Fig. 5

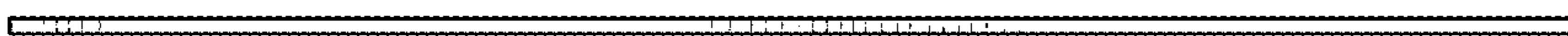


Fig. 6



Fig. 7