

US00D895729S

(12) **United States Design Patent** (10) **Patent No.:** **US D895,729 S**
Kageyama et al. (45) **Date of Patent:** **** Sep. 8, 2020**

- (54) **MECHANICAL PENCIL**
- (71) Applicant: **Kotobuki & Co., Ltd.**, Kawagoe-shi (JP)
- (72) Inventors: **Hidehei Kageyama**, Kawagoe (JP); **Takeshi Wakayama**, Kawagoe (JP)
- (73) Assignee: **KOTOBUKI & CO., LTD.**, Kawagoe-Shi, Saitama-Ken (JP)
- (**) Term: **15 Years**
- (21) Appl. No.: **29/678,476**
- (22) Filed: **Jan. 29, 2019**
- (30) **Foreign Application Priority Data**
Oct. 5, 2018 (JP) 2018-021952
- (51) **LOC (12) Cl.** **19-06**
- (52) **U.S. Cl.**
USPC **D19/173**; D19/906; D19/908; D19/916
- (58) **Field of Classification Search**
USPC D19/115-204; D14/411
CPC . B43K 5/005; B43K 7/12; B43K 8/04; B43K 8/06; B43K 21/006; B43K 21/06
See application file for complete search history.

D378,601 S *	3/1997	Sakuno	401/6
D394,455 S *	5/1998	Izushima	D19/174
D404,764 S *	1/1999	Perry	D19/168
D410,030 S *	5/1999	Sunaga	401/6
D412,014 S *	7/1999	Izushima	D19/174
D414,807 S *	10/1999	Baudino	D19/199
D417,699 S *	12/1999	Izushima	D19/174
D423,577 S *	4/2000	Baudino	D19/174
D430,207 S *	8/2000	Izushima	D19/174
6,203,225 B1 *	3/2001	Baudino	B43K 23/008 401/6
D440,605 S *	4/2001	Izushima	D19/203
D445,132 S *	7/2001	Saito	D19/199
D445,455 S *	7/2001	Saito	D19/179
D451,142 S *	11/2001	Saito	D19/179
D541,342 S *	4/2007	Qiu	D19/166

* cited by examiner

Primary Examiner — Elizabeth A. Albert
(74) *Attorney, Agent, or Firm* — McGinn I.P. Law Group, PLLC.

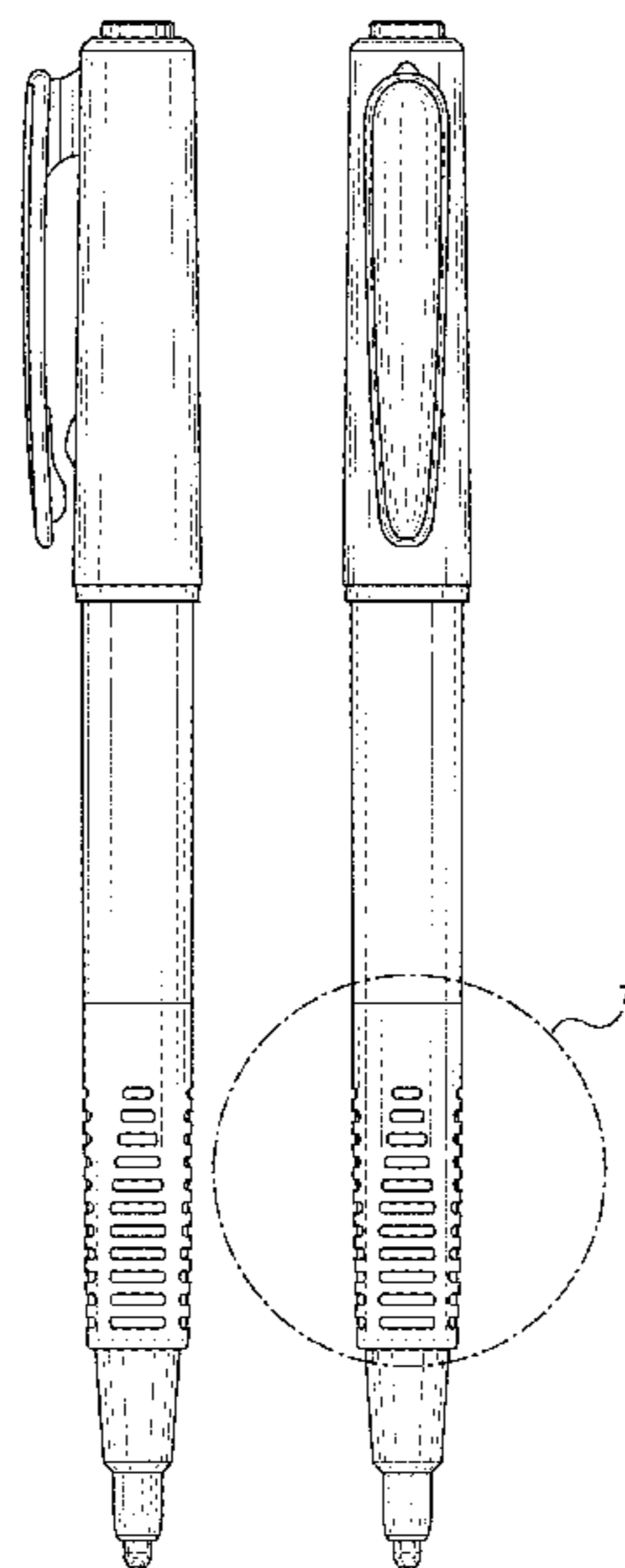
(57) **CLAIM**

The ornamental design for mechanical pencil, as shown and described.

DESCRIPTION

FIG. 1 is a perspective view of a mechanical pencil, showing my new design;
FIG. 2 is a front view of the mechanical pencil of FIG. 1 (the back view being a mirror image of the front view shown in FIG. 2);
FIG. 3 is a top view of the mechanical pencil of FIG. 1;
FIG. 4 is a bottom view of the mechanical pencil of FIG. 1;
FIG. 5 is a left side view of the mechanical pencil of FIG. 1;
FIG. 6 is a right side view of the mechanical pencil of FIG. 1; and,
FIG. 7 is an enlarged view of a portion 7 shown in FIG. 5.

1 Claim, 6 Drawing Sheets



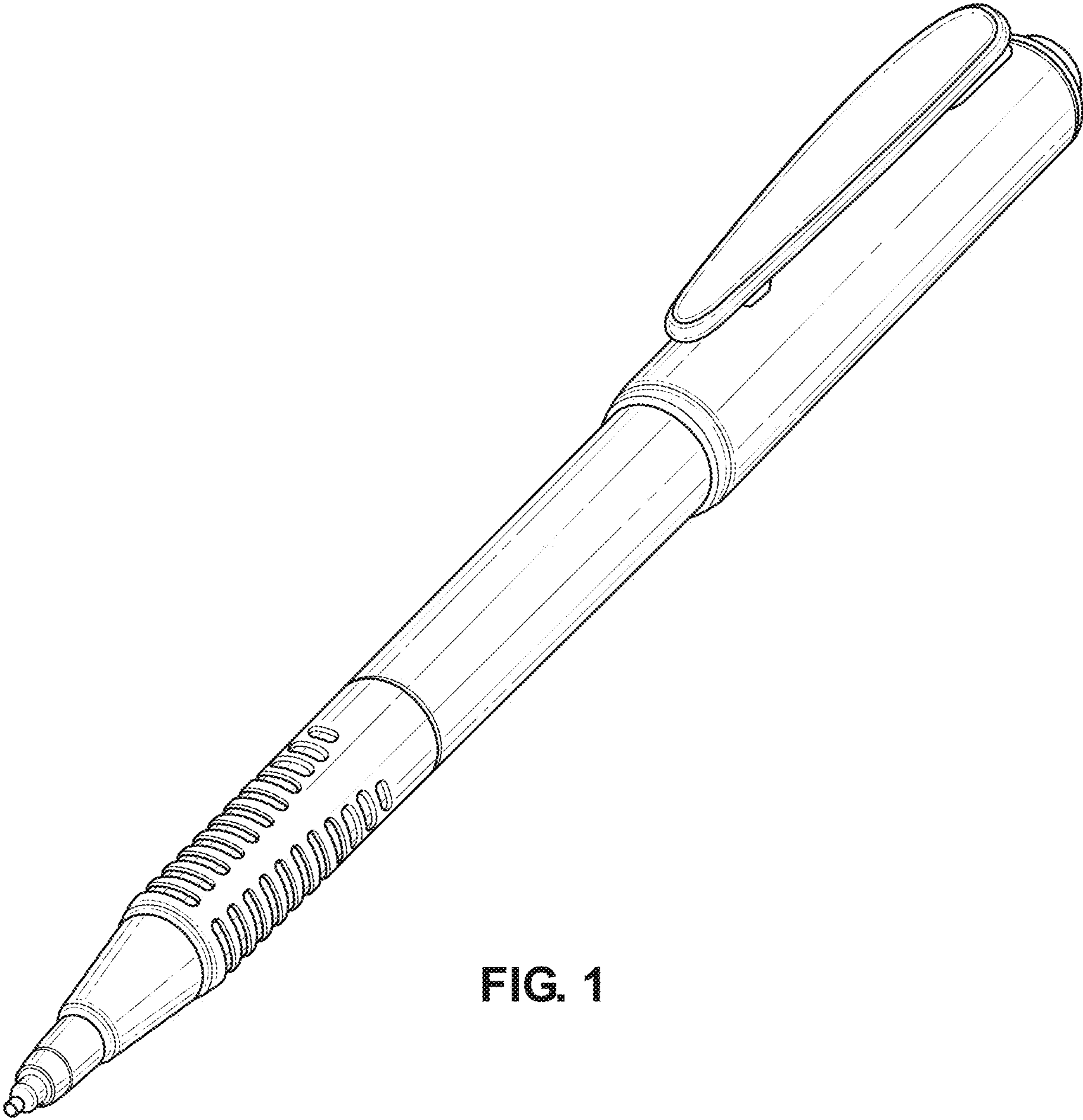


FIG. 1

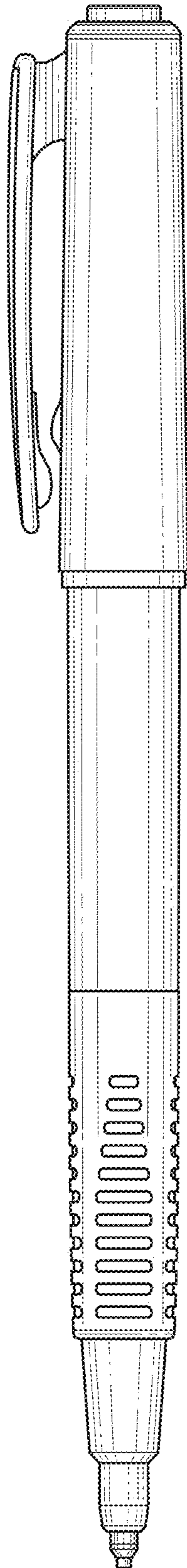


FIG. 2

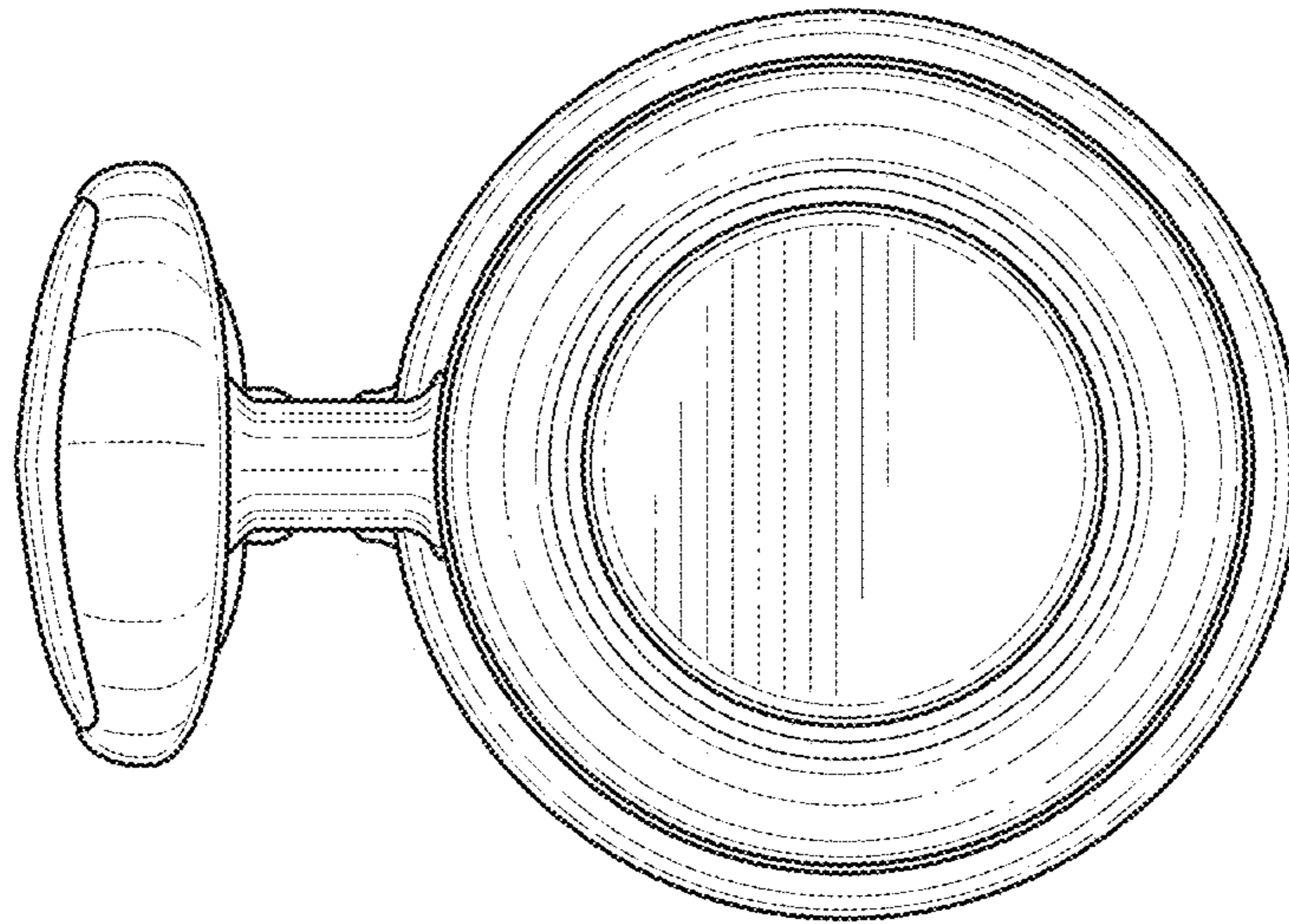


FIG. 3

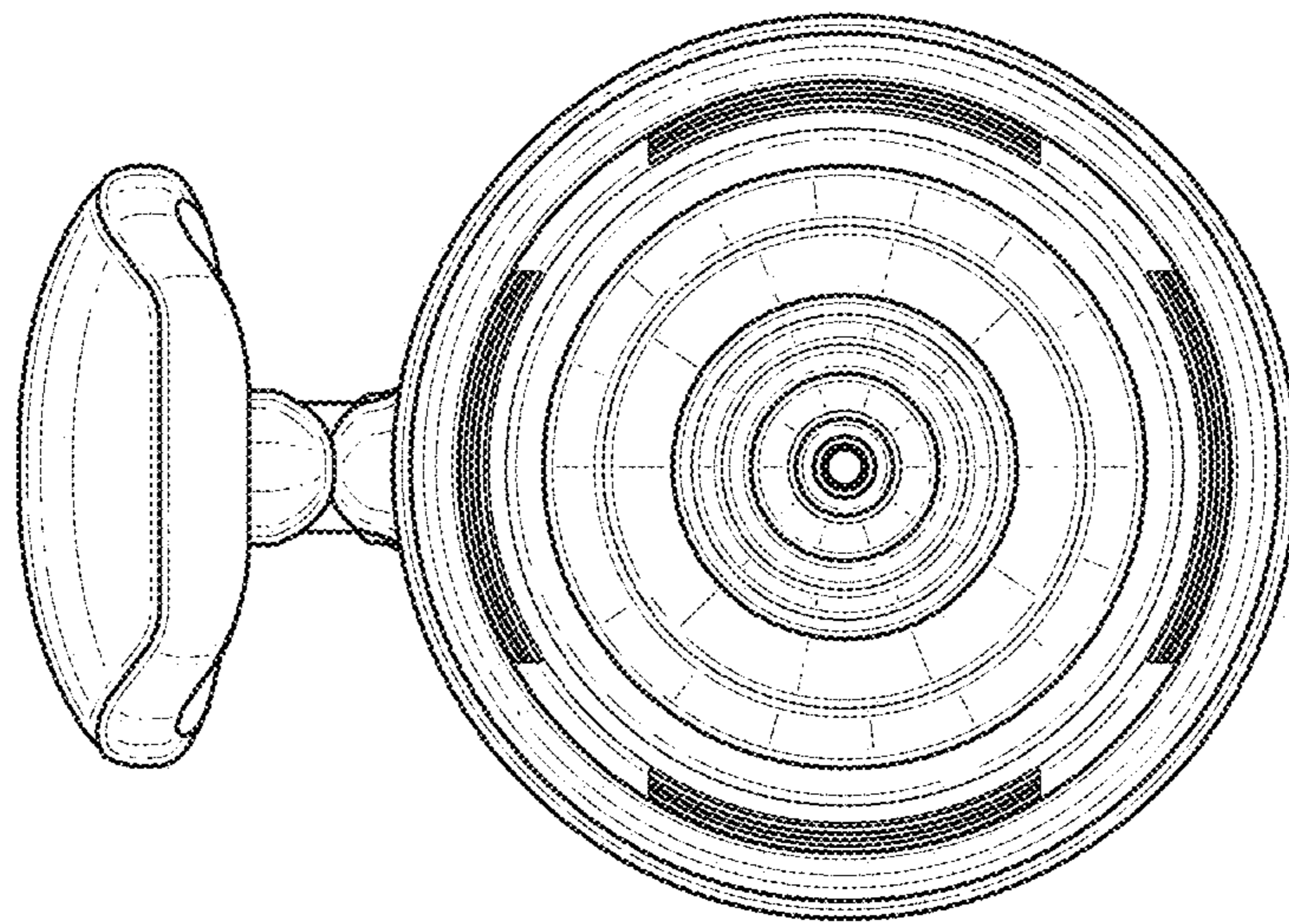


FIG. 4

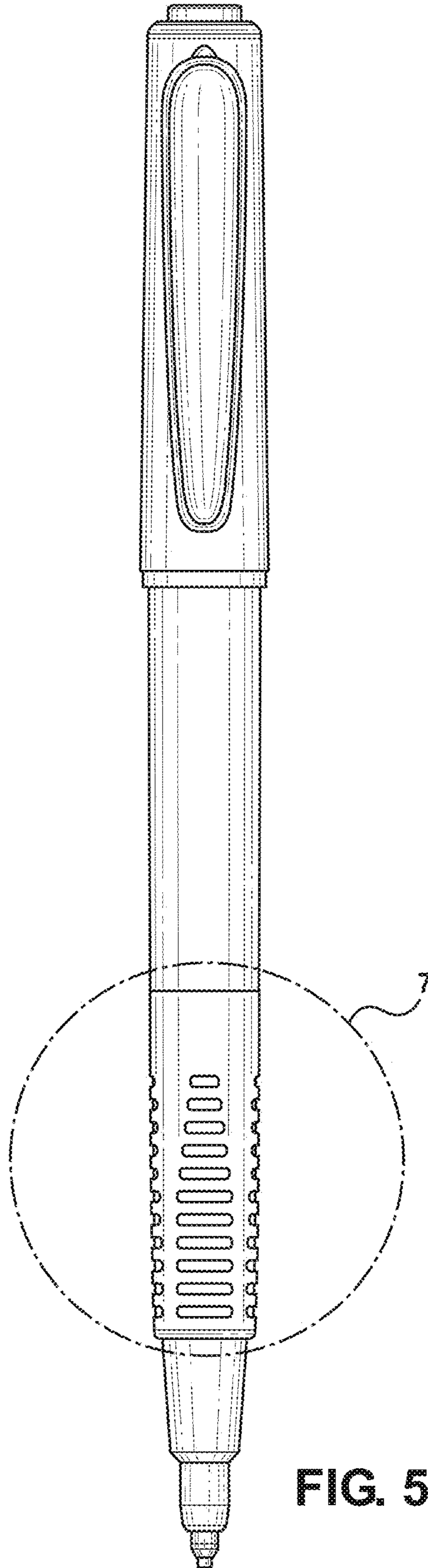


FIG. 5

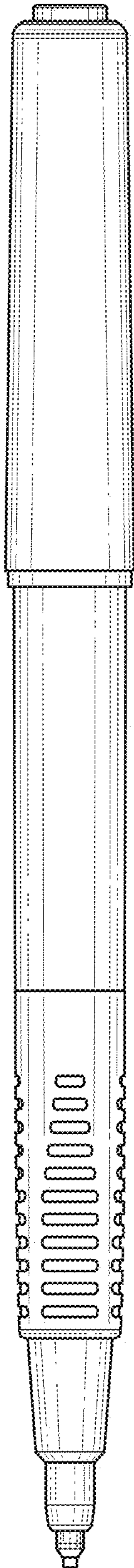


FIG. 6

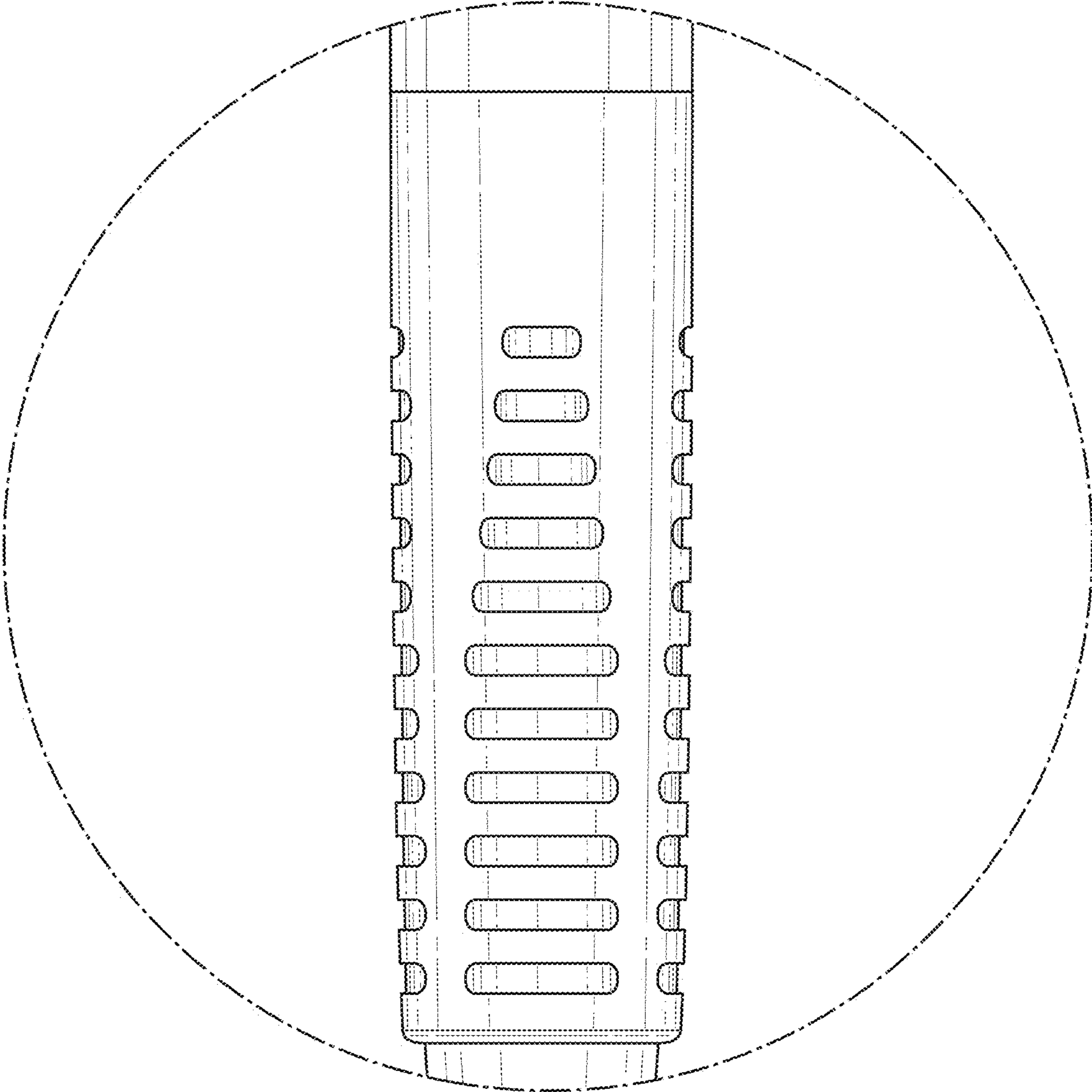


FIG. 7