



US00D895728S

(12) **United States Design Patent** (10) **Patent No.:** **US D895,728 S**
Nakata (45) **Date of Patent:** **** Sep. 8, 2020**

(54) **BALLPOINT PEN**
(71) Applicant: **Kotobuki & Co., Ltd.**, Saitama-ken (JP)
(72) Inventor: **Takaaki Nakata**, Saitama-ken (JP)
(73) Assignee: **KOTOBUKI & CO., LTD.**, Kawagoe-Shi, Saitama (JP)

D218,862 S * 9/1970 Sherman D19/171
D220,070 S * 3/1971 Iwasaki D19/171
D240,524 S * 7/1976 Carre D19/171
D397,723 S * 9/1998 Izushima D19/171
D498,494 S * 11/2004 Conklin D19/171
D508,082 S * 8/2005 Bain D19/171
D730,987 S * 6/2015 Schnug D19/171
D847,262 S * 4/2019 Schnug D19/171
D855,107 S * 7/2019 Briggl D19/171
D873,916 S * 1/2020 King D19/171

* cited by examiner

(**) Term: **15 Years**
(21) Appl. No.: **35/507,028**
(22) Filed: **Dec. 6, 2018**

Primary Examiner — Khawaja Anwar
(74) *Attorney, Agent, or Firm* — McGinn IP Law Group, PLLC

(80) **Hague Agreement Data**
Int. Filing Date: **Dec. 6, 2018**
Int. Reg. No.: **DM/201719**
Int. Reg. Date: **Dec. 6, 2018**
Int. Reg. Pub. Date: **Jul. 5, 2019**

(57) **CLAIM**

The ornamental design for a ballpoint pen, as shown and described.

(51) **LOC (12) Cl.** **19-06**
(52) **U.S. Cl.**
USPC **D19/171**
(58) **Field of Classification Search**
USPC D19/115–204; D14/411
CPC B43K 24/03; B43K 23/12; B43K 23/001;
G09B 5/04; G06F 3/03545
See application file for complete search history.

DESCRIPTION

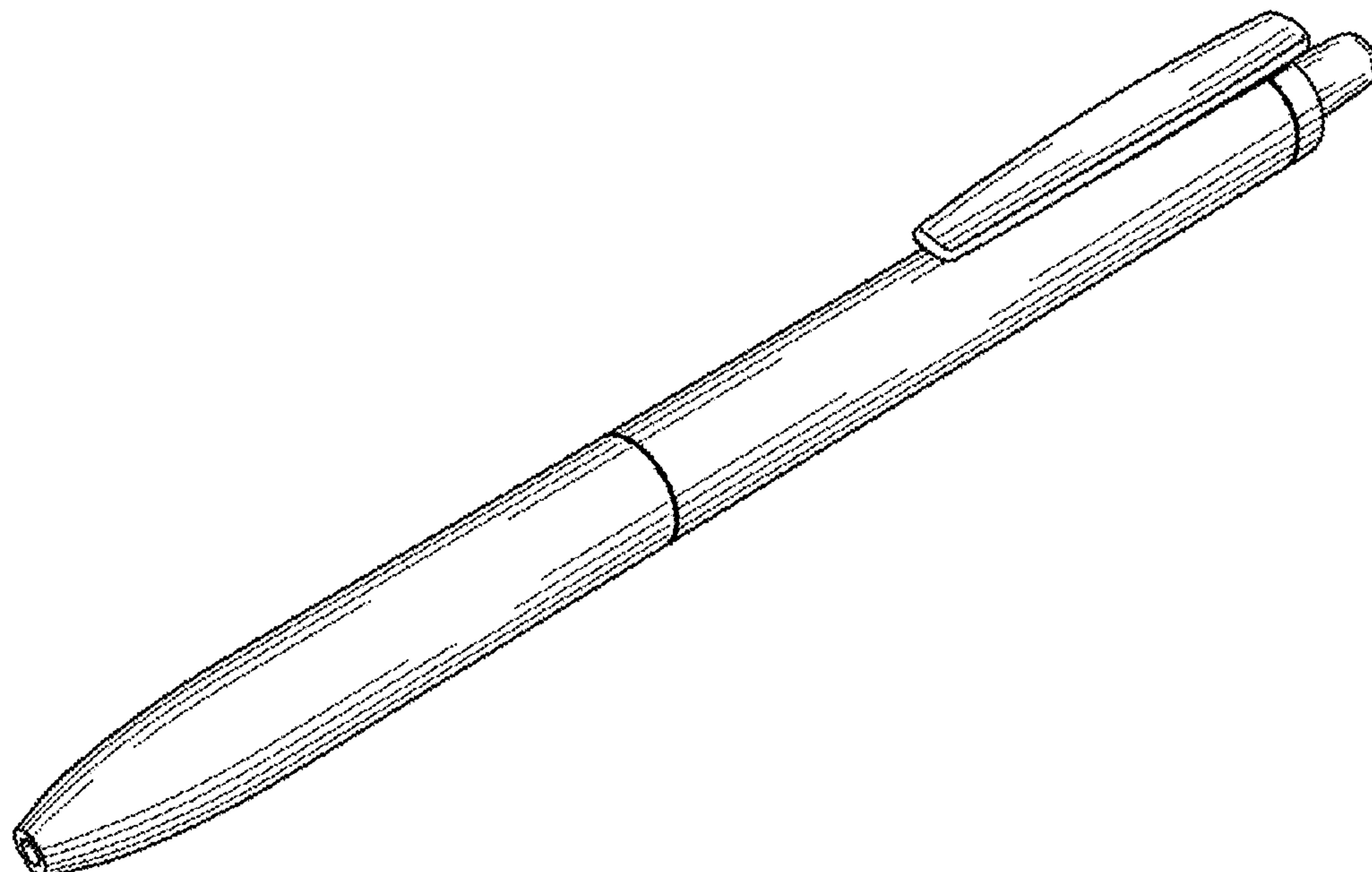
- 1. Ballpoint pen
- 1.1 : Perspective
- 1.2 : Front
- 1.3 : Top
- 1.4 : Bottom
- 1.5 : Left
- 1.6 : Right
- 1.7 : Enlarged top view
- 1.8 : Enlarged bottom view

Back views are omitted because they are mirror images of the front views; parts shown by broken lines do not constitute claimed designs; thin lines represent surface shading to show the contours of the article only, and do not represent ornamentation or decoration.

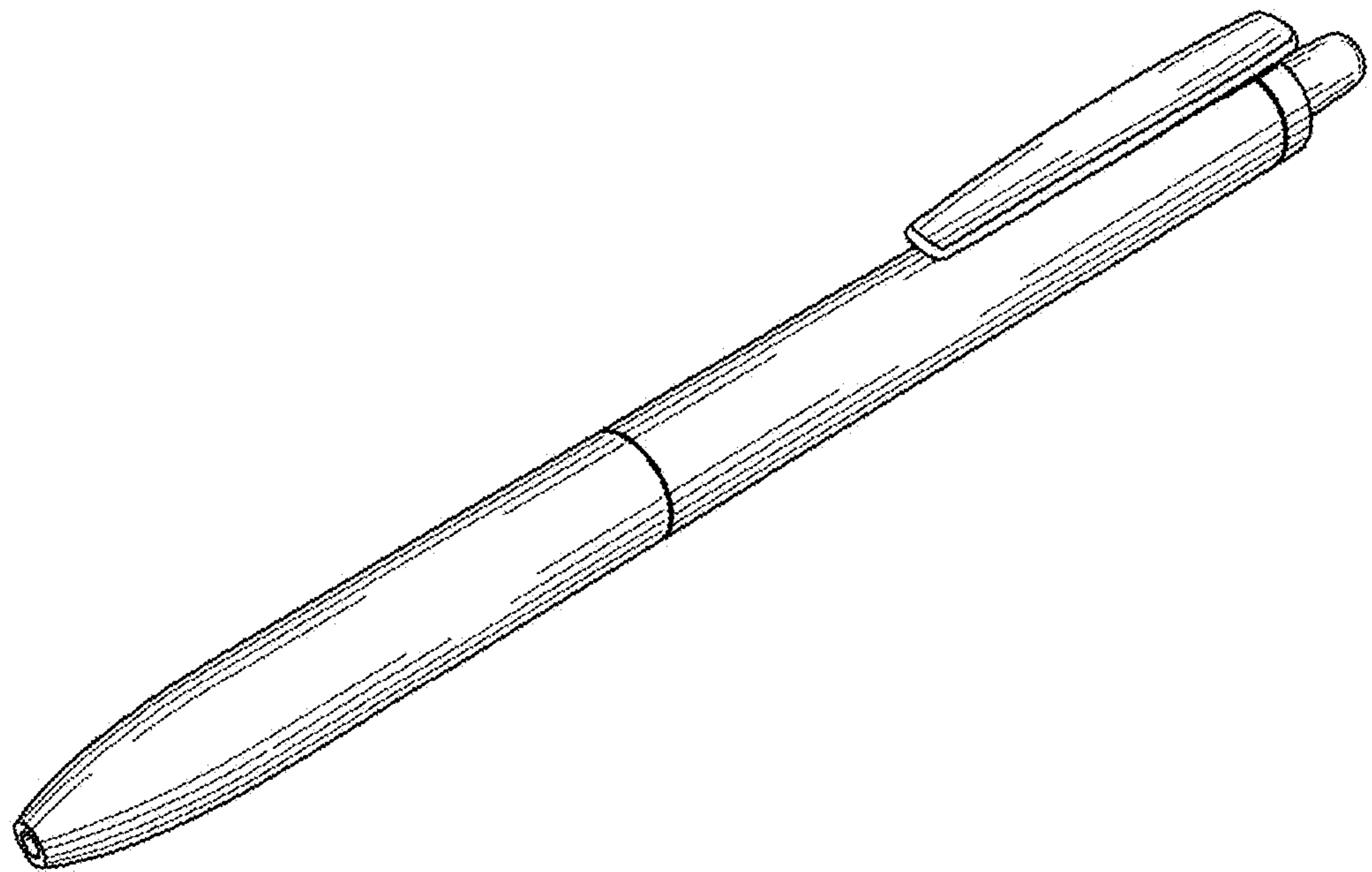
(56) **References Cited**
U.S. PATENT DOCUMENTS

D177,369 S * 4/1956 Enslgn D19/171
D179,982 S * 4/1957 Rhoades D19/171
D183,917 S * 11/1958 Dreyfuss D19/171
2,946,312 A * 7/1960 Burnie B43K 7/02
401/44

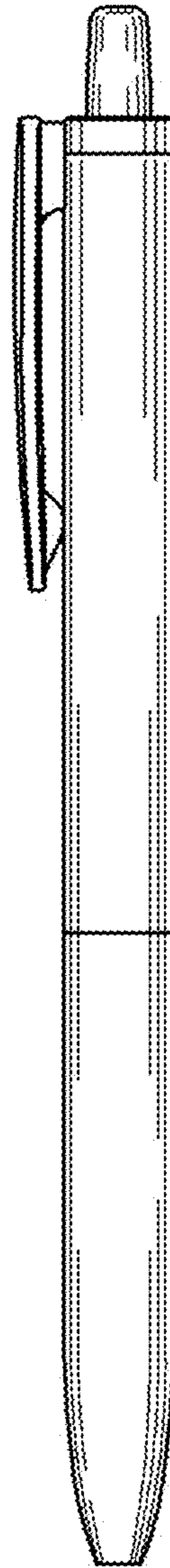
1 Claim, 8 Drawing Sheets



1.1



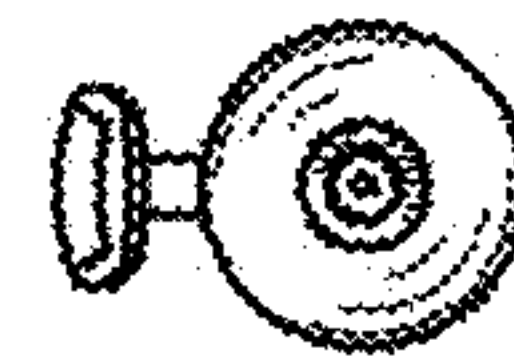
1.2



1.3



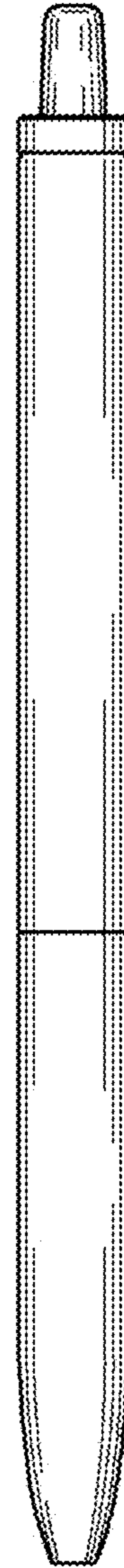
1.4



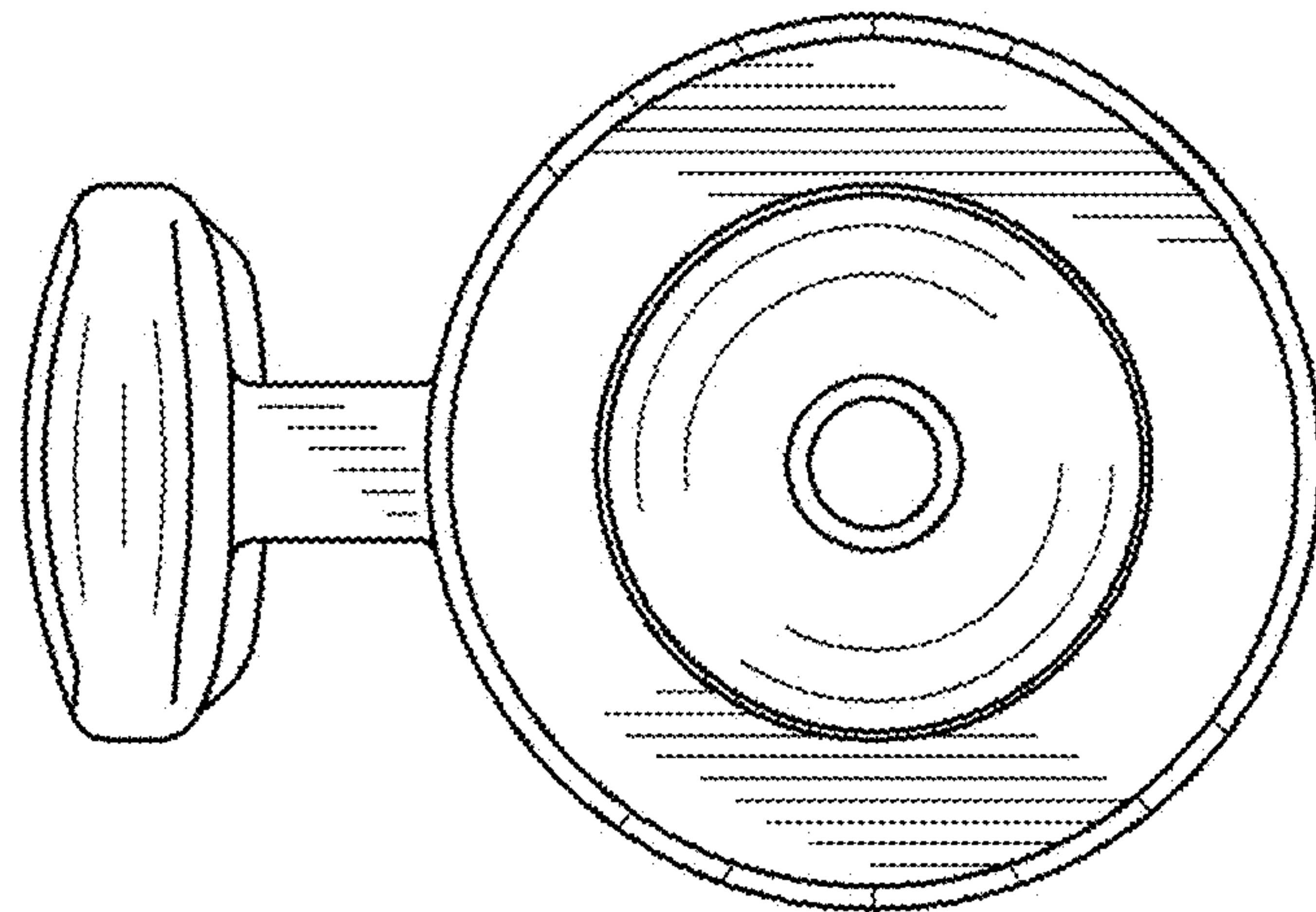
1.5



1.6



1.7



1.8

