

US00D895727S

(12) **United States Design Patent** (10) **Patent No.:** **US D895,727 S**  
**Lau** (45) **Date of Patent:** **\*\* Sep. 8, 2020**

(54) **WRITING INSTRUMENT**  
(71) Applicant: **Faro International Incorporated,**  
Costa Mesa, CA (US)  
(72) Inventor: **Kong Lau,** Ningbo (CN)  
(73) Assignee: **FARO INTERNATIONAL**  
**INCORPORATED,** Costa Mesa, CA  
(US)  
(\*\*) Term: **15 Years**  
(21) Appl. No.: **29/684,544**  
(22) Filed: **Mar. 21, 2019**  
(51) **LOC (12) Cl.** ..... **19-06**  
(52) **U.S. Cl.**  
USPC ..... **D19/170; D19/928**  
(58) **Field of Classification Search**  
USPC ..... D19/115-204; D14/411  
CPC . B43K 5/005; B43K 7/12; B43K 8/04; B43K  
8/06; B43K 21/006; B43K 21/06  
See application file for complete search history.

D450,873 S \* 11/2001 Opolka ..... D19/173  
D474,240 S \* 5/2003 Alderson ..... D19/186  
D548,863 S \* 8/2007 Shiu ..... D26/37  
D552,681 S \* 10/2007 Koch ..... D19/173  
D562,896 S \* 2/2008 Delaney ..... D19/176  
D575,818 S \* 8/2008 Zhang ..... D19/169  
D587,310 S \* 2/2009 Paslawski ..... D19/185  
D646,717 S \* 10/2011 Koch ..... D19/174  
D647,965 S \* 11/2011 Leibeck ..... D19/174  
D659,141 S \* 5/2012 Watson ..... D14/411  
D667,878 S \* 9/2012 Xie ..... D19/163  
D676,170 S \* 2/2013 Feng ..... D26/38  
D681,113 S \* 4/2013 Huang ..... D19/185  
D729,963 S \* 5/2015 Windom ..... D26/38  
D810,978 S \* 2/2018 Windom ..... D26/38  
D811,636 S \* 2/2018 Galli ..... D26/49  
D822,864 S \* 7/2018 Windom ..... D26/51  
D861,071 S \* 9/2019 Rieger ..... D19/173

(Continued)

*Primary Examiner* — Elizabeth A. Albert  
(74) *Attorney, Agent, or Firm* — Stetina Brunda Garred  
and Brucker

(57) **CLAIM**

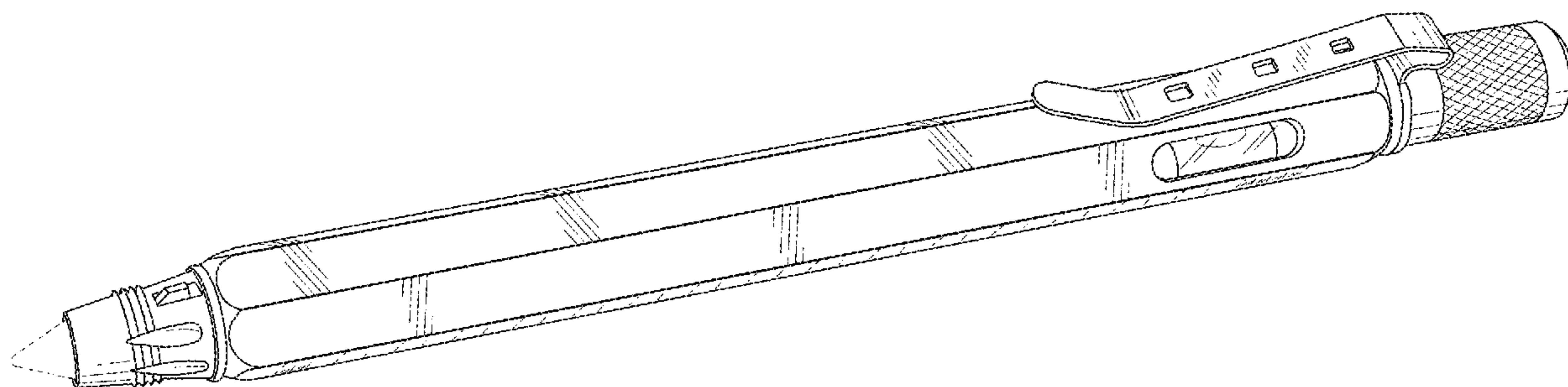
The ornamental design for a writing instrument, as shown  
and described.

**DESCRIPTION**

FIG. 1 is an elevated perspective view of the writing  
instrument of the present invention;  
FIG. 2 is a top view thereof;  
FIG. 3 is a right-side view thereof;  
FIG. 4 is a left-side view thereof;  
FIG. 5 is a bottom view thereof;  
FIG. 6 is a view of the proximal end thereof; and,  
FIG. 7 is a view of the distal end thereof.  
The broken lines in the drawings are included to show  
portions of the writing instrument that form no part of the  
claimed design.

**1 Claim, 3 Drawing Sheets**

(56) **References Cited**  
U.S. PATENT DOCUMENTS  
D114,530 S \* 5/1939 Deli et al. .... D19/165  
2,183,350 A \* 12/1939 Goessling ..... B43K 21/003  
24/11 R  
D128,390 S \* 7/1941 Christenson, Jr. .... D19/170  
D133,540 S \* 8/1942 Kahn ..... D19/184  
D134,010 S \* 10/1942 Weiss ..... D8/98  
D155,285 S \* 9/1949 Green et al. .... D19/173  
D166,161 S \* 3/1952 Hanle ..... D19/163  
D169,307 S \* 4/1953 Ferber ..... D19/185  
2,715,388 A \* 8/1955 Cofield, Jr. .... B43K 7/01  
401/217  
D214,828 S \* 8/1969 Kroener ..... D8/107  
D220,070 S \* 3/1971 Iwasaki ..... D19/171  
D321,207 S \* 10/1991 Granoff ..... D19/173



(56)

**References Cited**

U.S. PATENT DOCUMENTS

D864,297 S \* 10/2019 Sirpal ..... D19/135  
D864,298 S \* 10/2019 Li ..... D19/177

\* cited by examiner

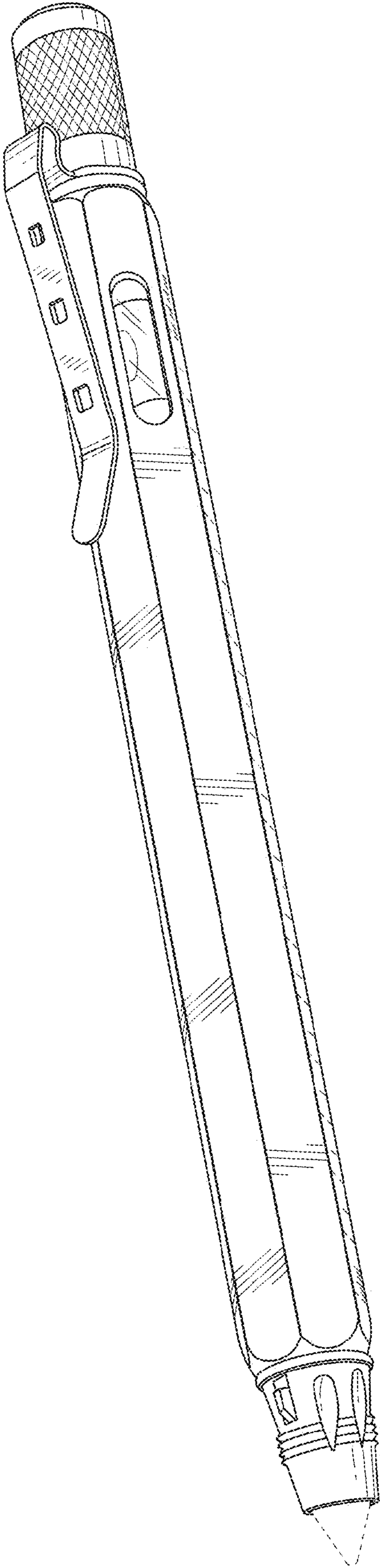


FIG. 1

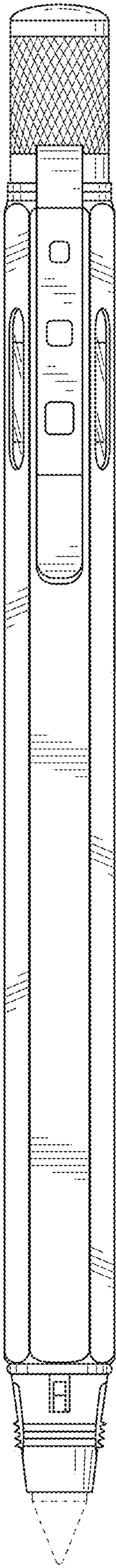


FIG. 2

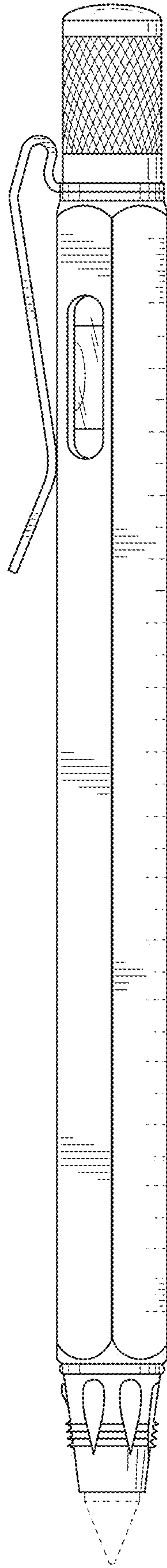


FIG. 3

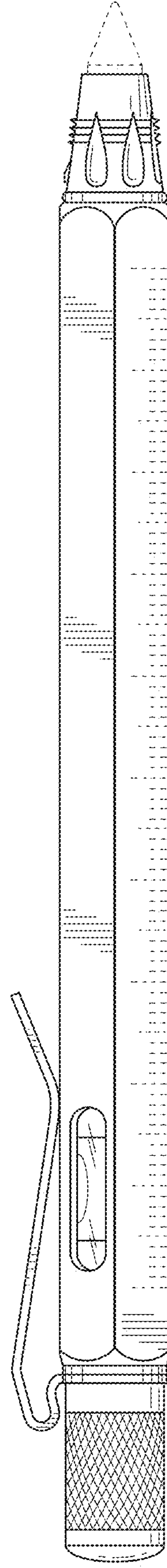


FIG. 4



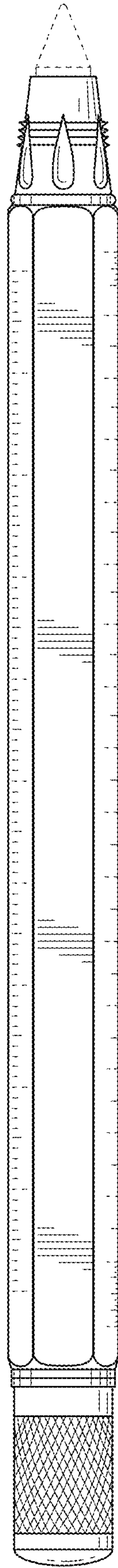


FIG. 5

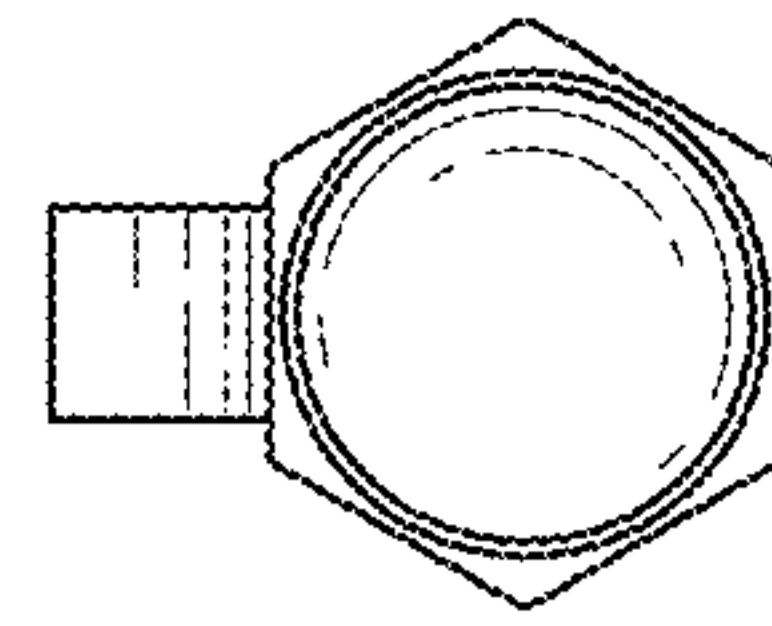


FIG. 6

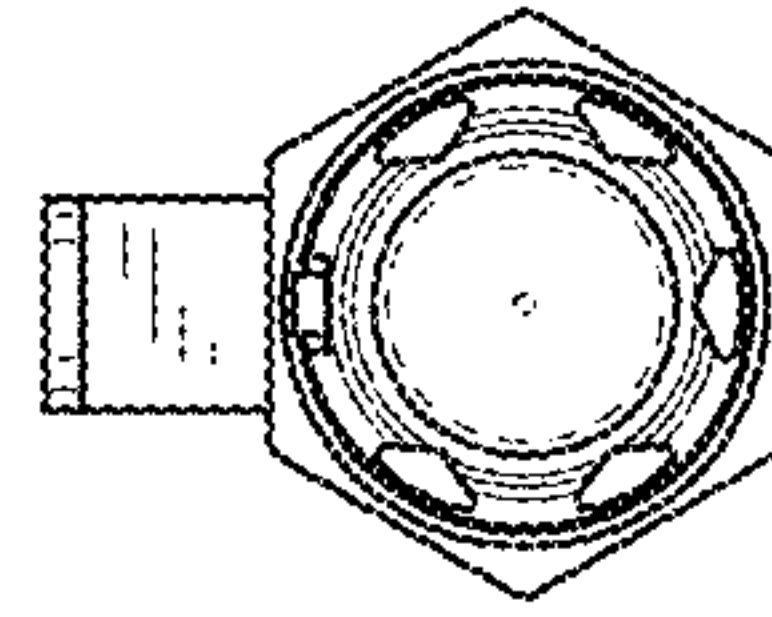


FIG. 7