

US00D895726S

(12) **United States Design Patent**
Chen et al.

(10) **Patent No.:** **US D895,726 S**

(45) **Date of Patent:** **** Sep. 8, 2020**

(54) **WRITING INSTRUMENT**

(71) Applicant: **Pengea Inc.**, Brooklyn, NY (US)

(72) Inventors: **Jason Chen**, Brooklyn, NY (US);
Richard Mark, New York, NY (US)

(73) Assignee: **Pengea Inc.**, Brooklyn, NY (US)

(**) Term: **15 Years**

(21) Appl. No.: **29/669,222**

(22) Filed: **Nov. 6, 2018**

(51) **LOC (12) Cl.** **19-06**

(52) **U.S. Cl.**
USPC **D19/119; D19/132; D19/934**

(58) **Field of Classification Search**
USPC **D19/115-204; D14/411; D8/107**
CPC . **B43K 5/005; B43K 7/12; B43K 8/04; B43K**
8/06; B43K 19/00; B43K 19/02; B43K
19/14; B43K 21/006; B43K 21/06
See application file for complete search history.

(56) **References Cited**

U.S. PATENT DOCUMENTS

1,262,972	A *	4/1918	Olson	B43K 29/007
					40/334
1,342,512	A *	6/1920	Skinderviken	A24F 13/18
					206/270
2,044,792	A *	6/1936	Hoyle	B43K 5/005
					401/35
2,100,647	A *	11/1937	Edward	B43K 27/08
					401/32
2,177,651	A *	10/1939	Harris	A45D 40/24
					401/19
2,224,470	A *	12/1940	Boust	B43K 29/12
					242/588.1
4,308,879	A *	1/1982	Thornbloom	A45D 40/18
					132/317
D297,649	S *	9/1988	Schiffner	D19/132
D320,669	S *	10/1991	Panaggio	D27/144

D391,669	S *	3/1998	DuBow	D27/187
D555,726	S *	11/2007	Huff	D19/166
7,290,496	B2 *	11/2007	Asfar	B63C 11/42
					114/312
D556,824	S *	12/2007	Sawicki	D19/119
D558,826	S *	1/2008	Tam	D19/132
D593,602	S *	6/2009	Katami	D19/119
D598,952	S *	8/2009	Kushner	D19/123
D634,364	S *	3/2011	Villapando	D19/119
D648,862	S *	11/2011	Yen	D24/215

(Continued)

Primary Examiner — Elizabeth A. Albert

(74) *Attorney, Agent, or Firm* — Liang & Hennessey
LLP; Stanley D. Liang

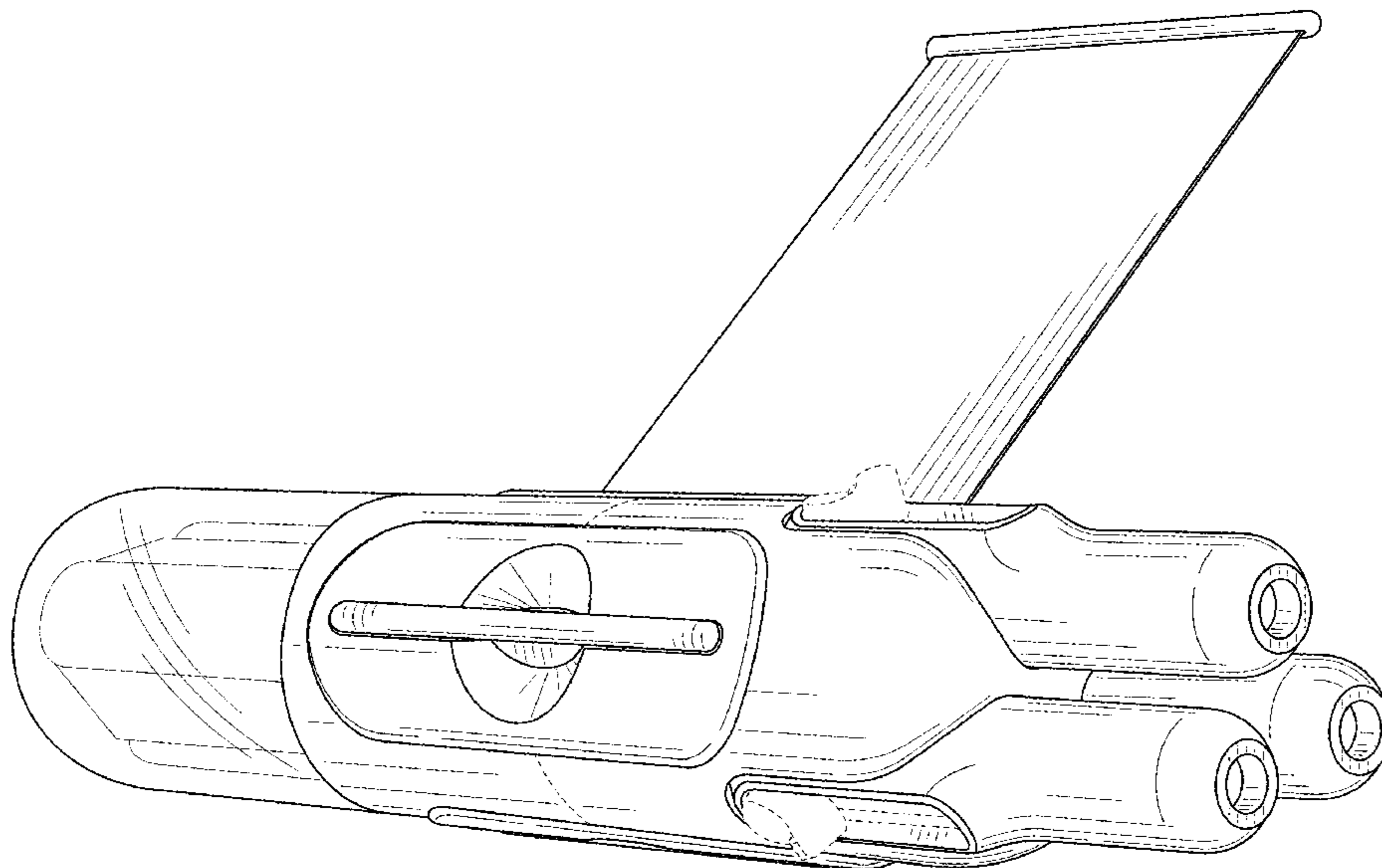
(57) **CLAIM**

The ornamental design for a writing instrument, as shown and described.

DESCRIPTION

FIG. 1 is a front left perspective view of our new design for a writing instrument;
 FIG. 2 is a left side view thereof;
 FIG. 3 is a right side view thereof;
 FIG. 4 is a front view thereof;
 FIG. 5 is a rear view thereof;
 FIG. 6 is a top view thereof;
 FIG. 7 is a bottom view thereof.
 FIG. 8 is a front left perspective view of a second embodiment of FIG. 1 with the banner pulled out;
 FIG. 9 is a left side view thereof;
 FIG. 10 is a right side view thereof;
 FIG. 11 is a front view thereof;
 FIG. 12 is a rear view thereof;
 FIG. 13 is a top view thereof; and,
 FIG. 14 is a bottom view thereof.
 The features shown in broken lines in the drawings depict environmental subject matter only and form no part of the claimed design.

1 Claim, 9 Drawing Sheets



(56)

References Cited

U.S. PATENT DOCUMENTS

D729,395 S * 5/2015 Shinnick D24/200
9,063,269 B1 * 6/2015 Montelongo G02B 27/02
D763,501 S * 8/2016 McGarry D27/101
D801,580 S * 10/2017 Barrantes D27/189
D823,534 S * 7/2018 Chen D27/162
D868,160 S * 11/2019 Lam D19/119
2019/0023057 A1 * 1/2019 Davies-Smith B43K 23/002

* cited by examiner

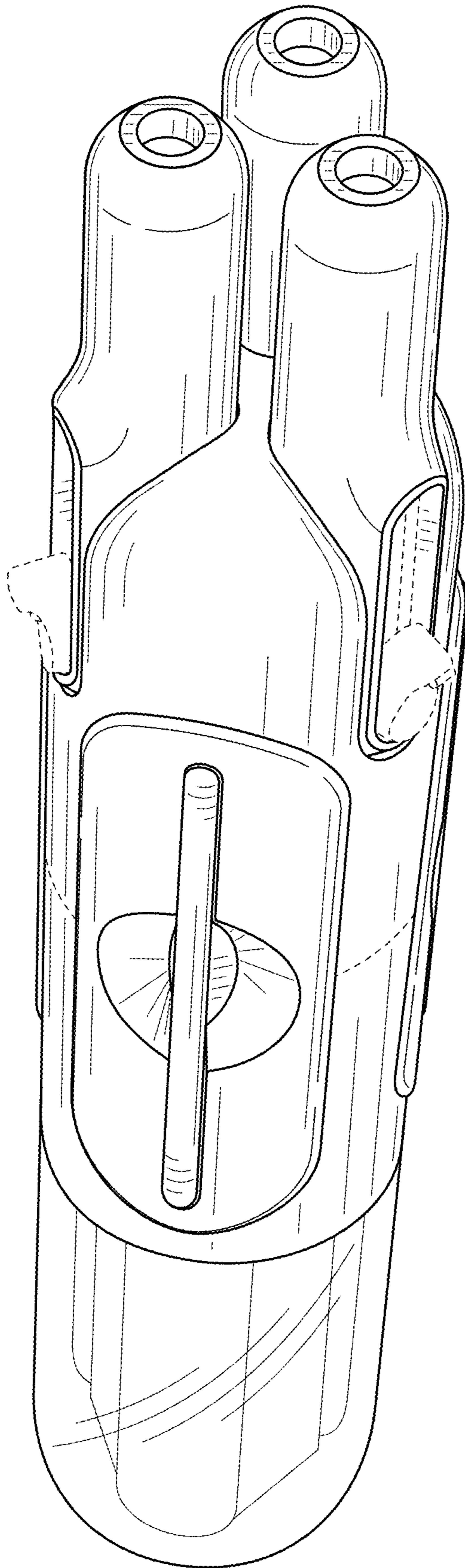


FIG. 1

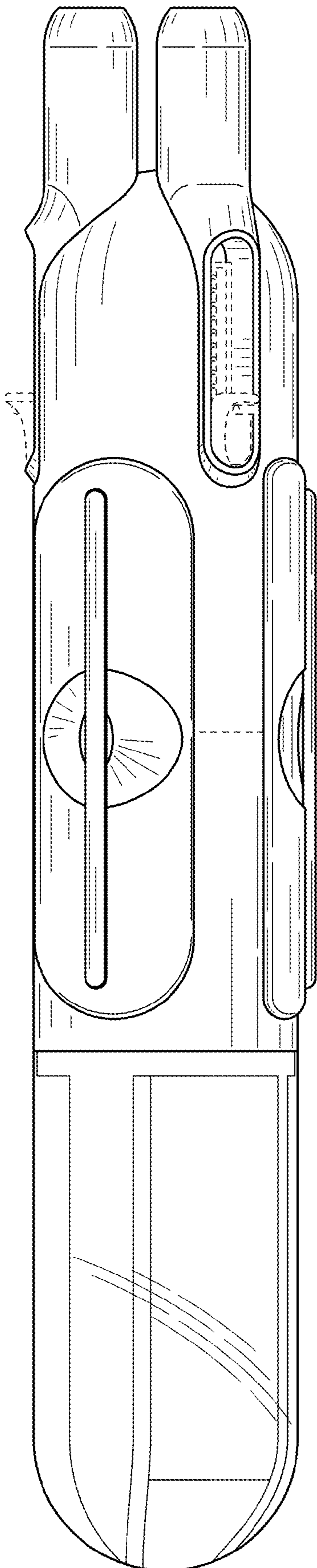


FIG. 2

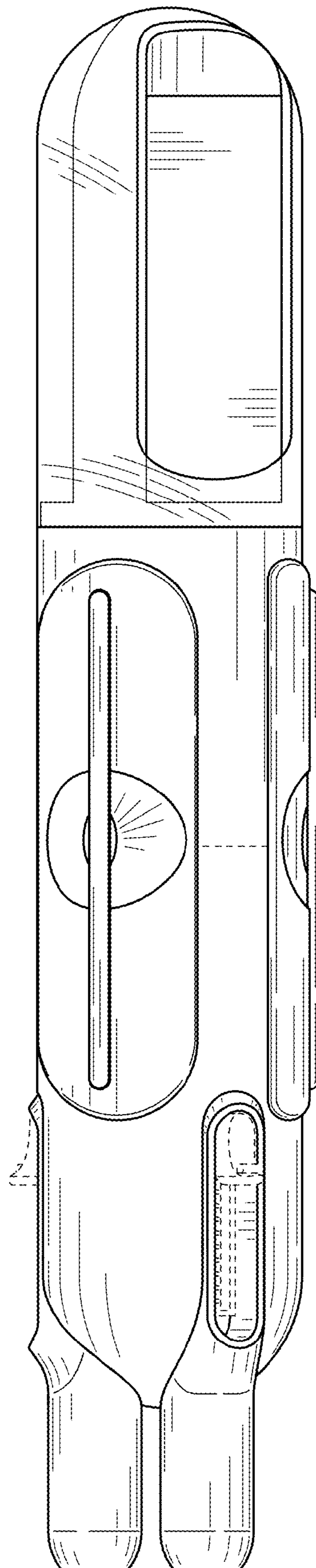


FIG. 3

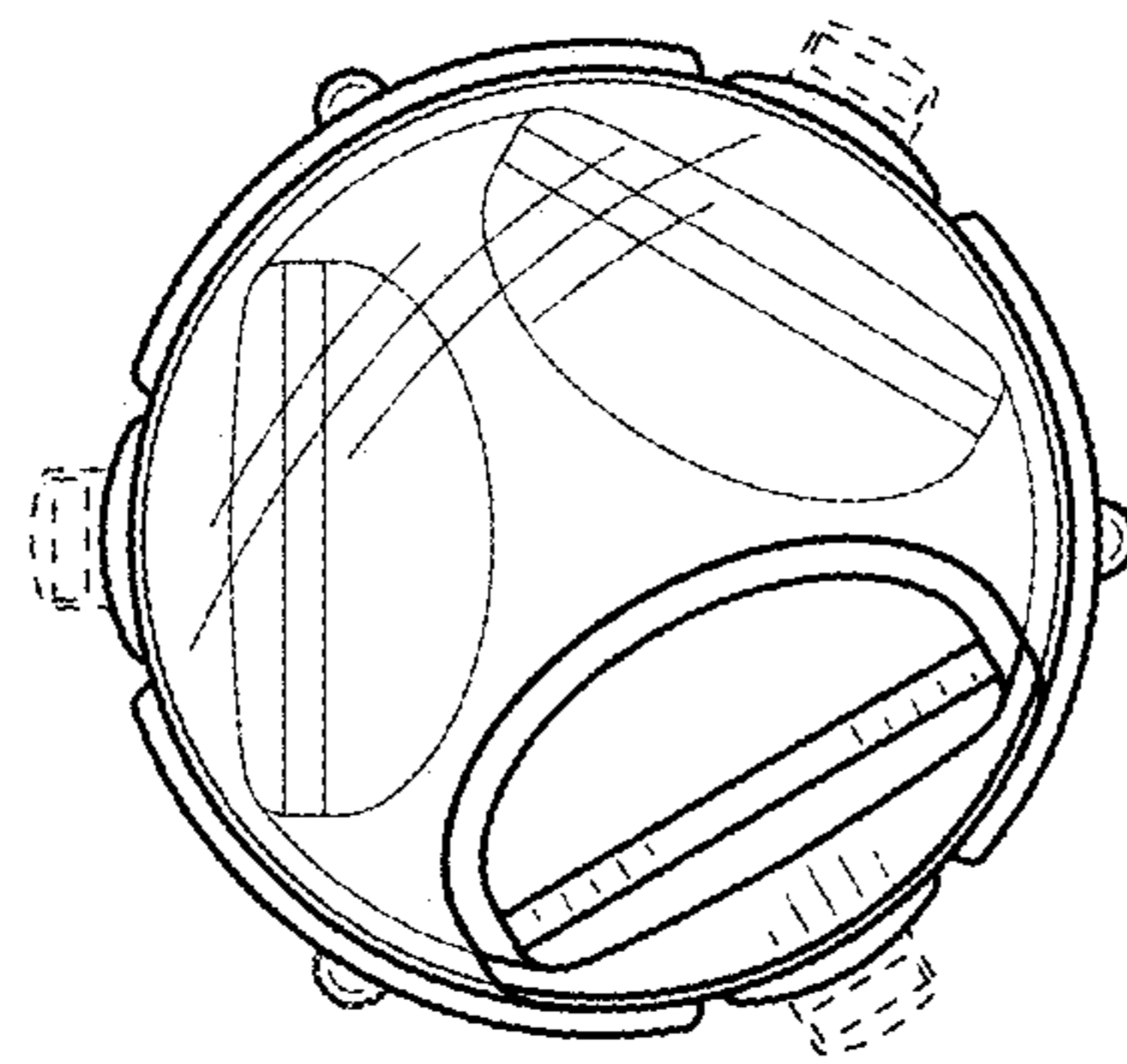


FIG. 5

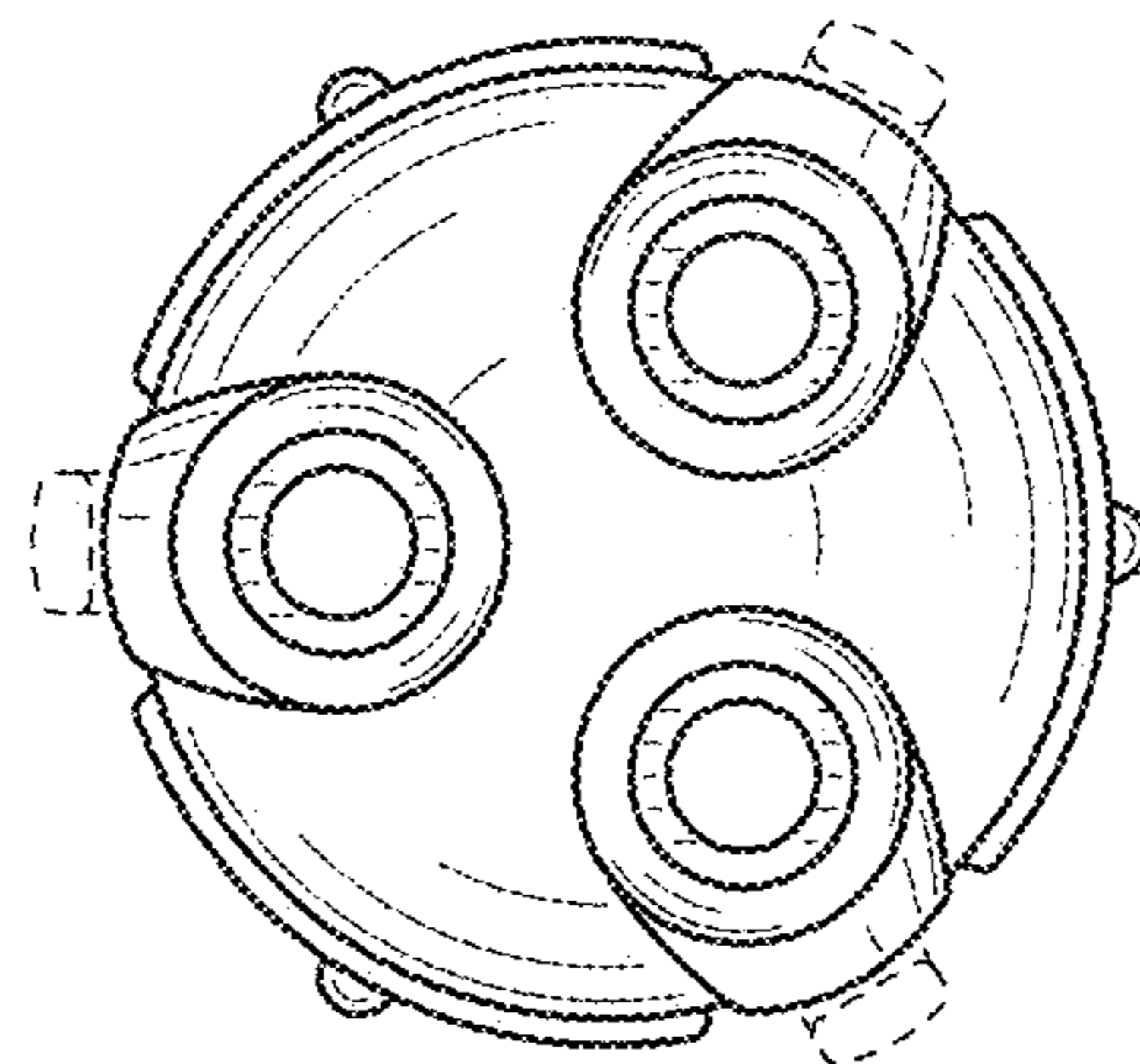


FIG. 4

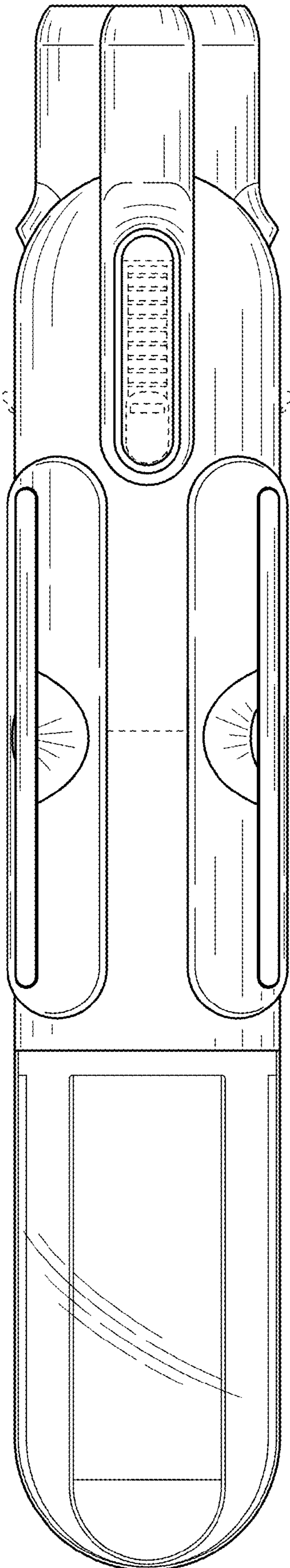


FIG. 6

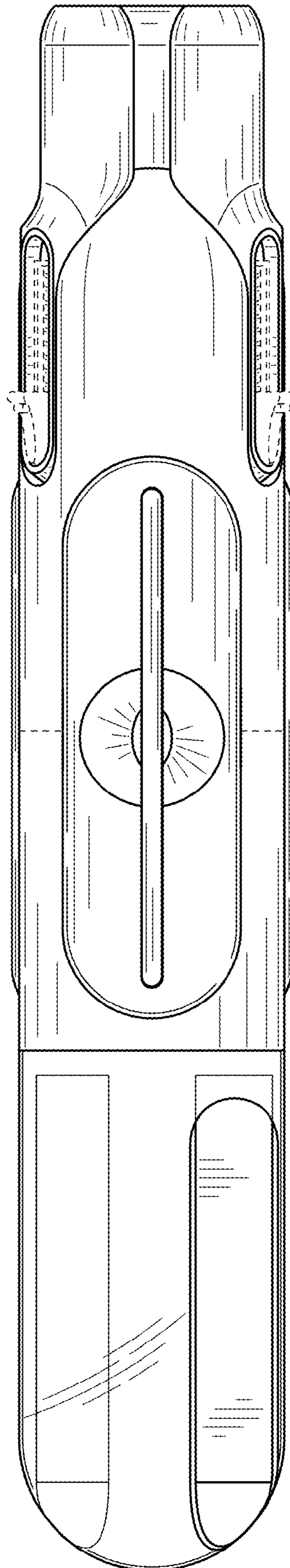


FIG. 7

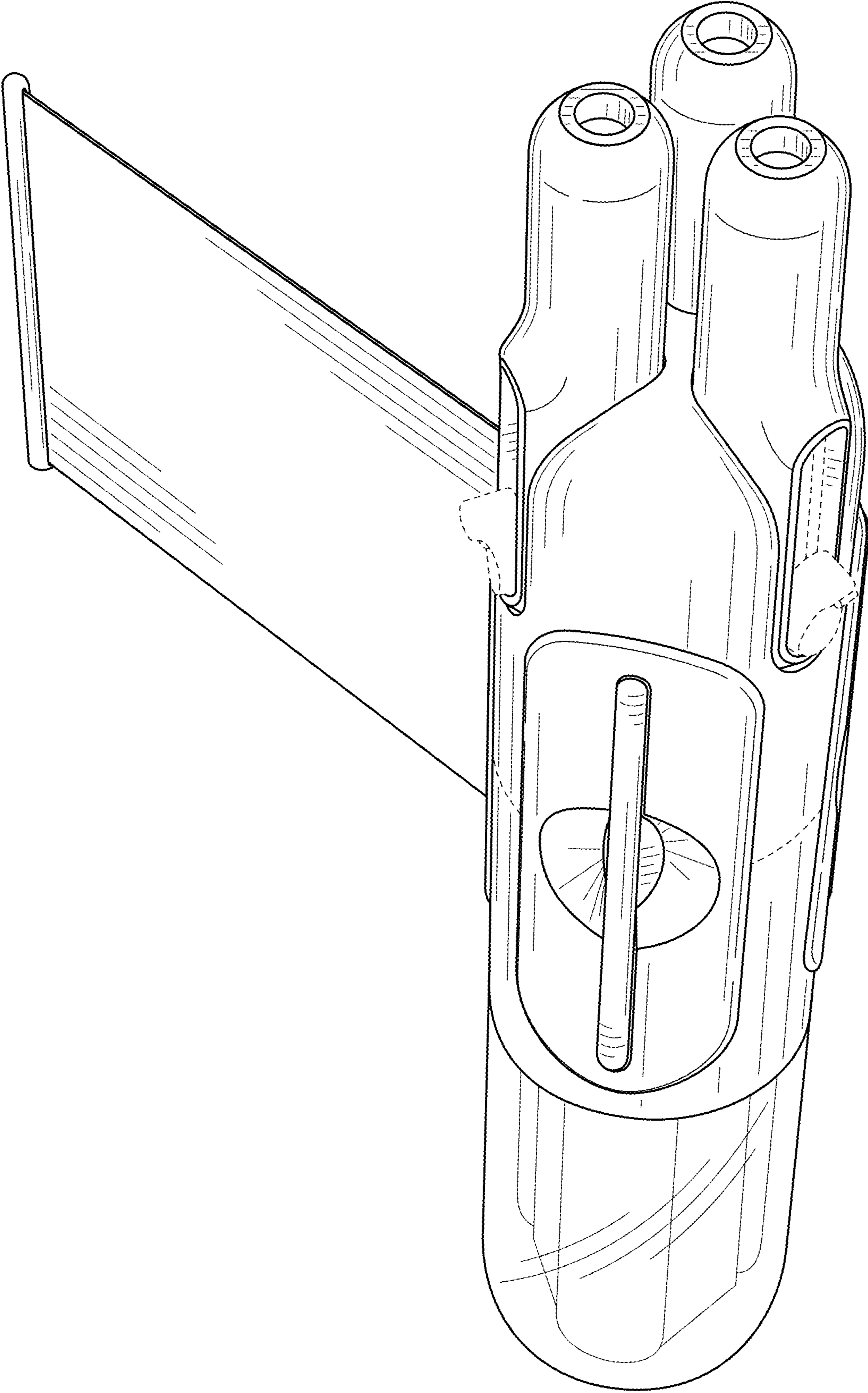


FIG. 8

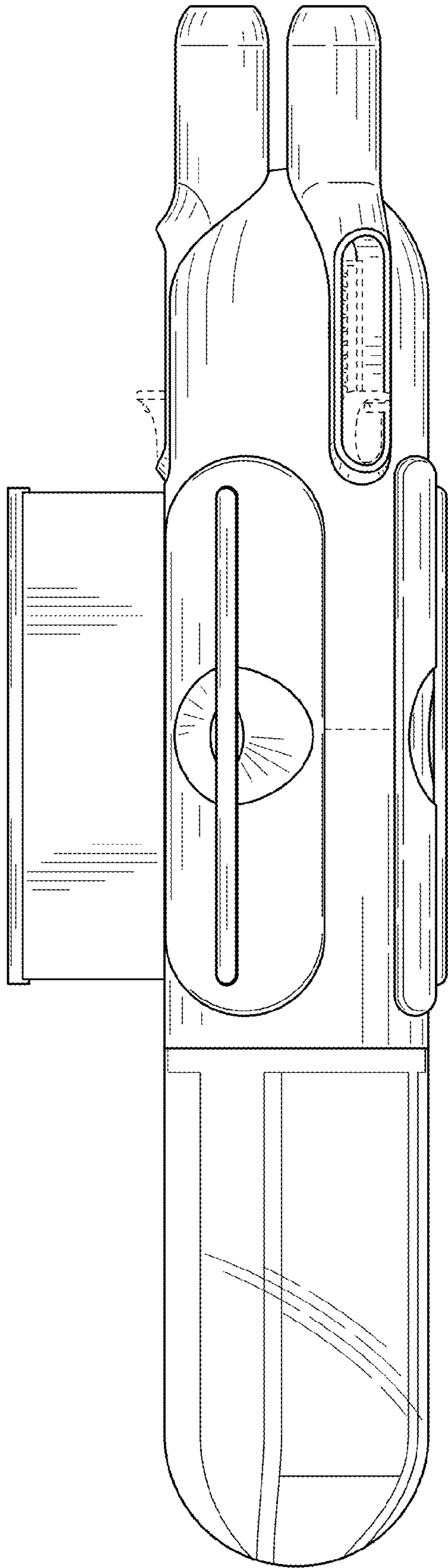


FIG. 9

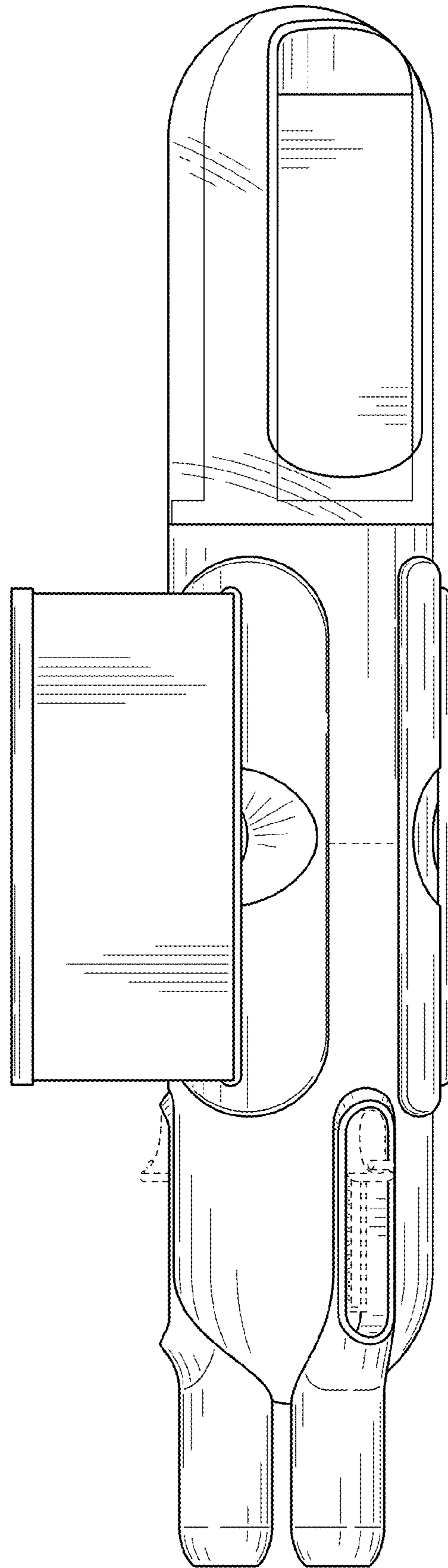


FIG. 10

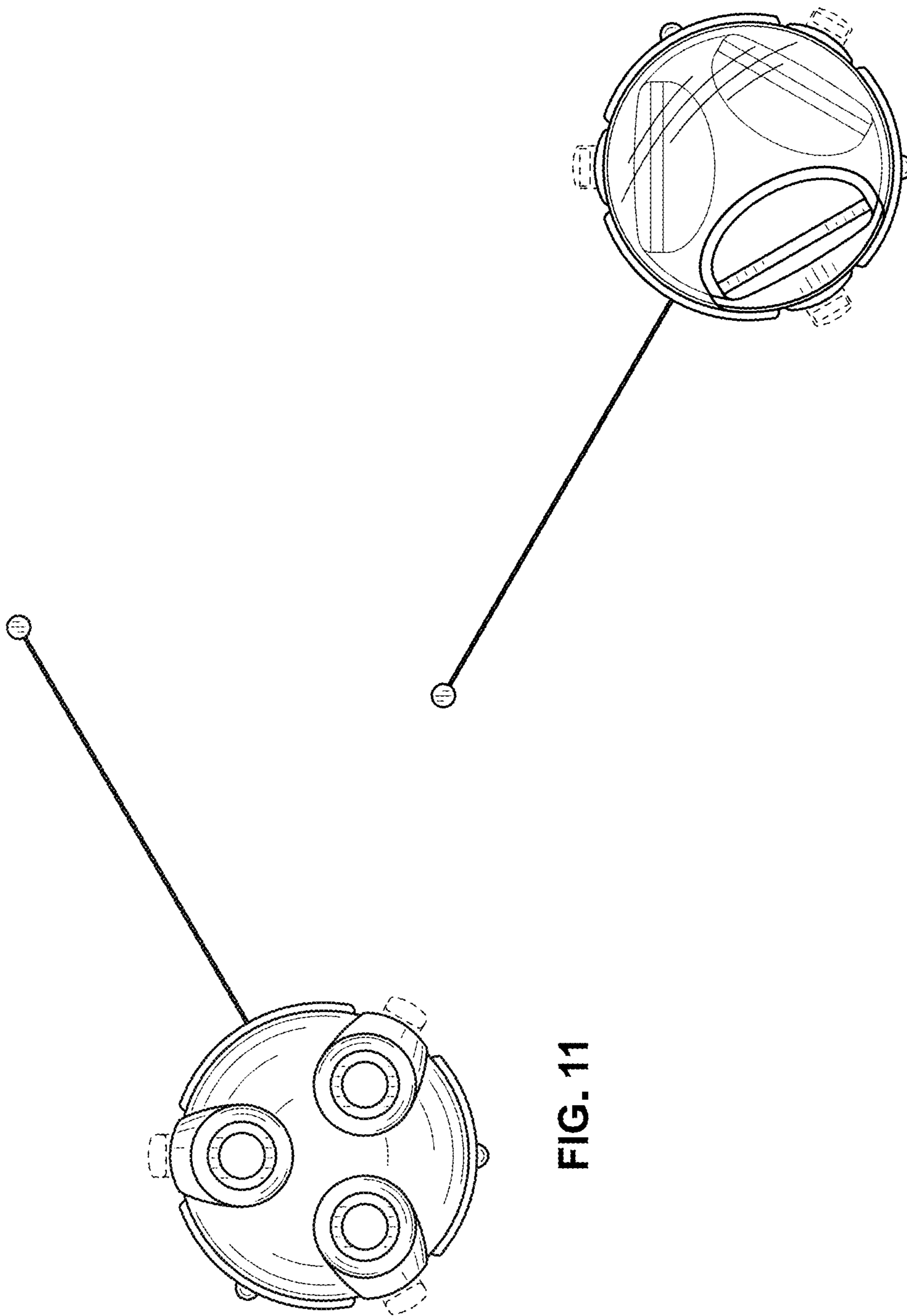


FIG. 11

FIG. 12

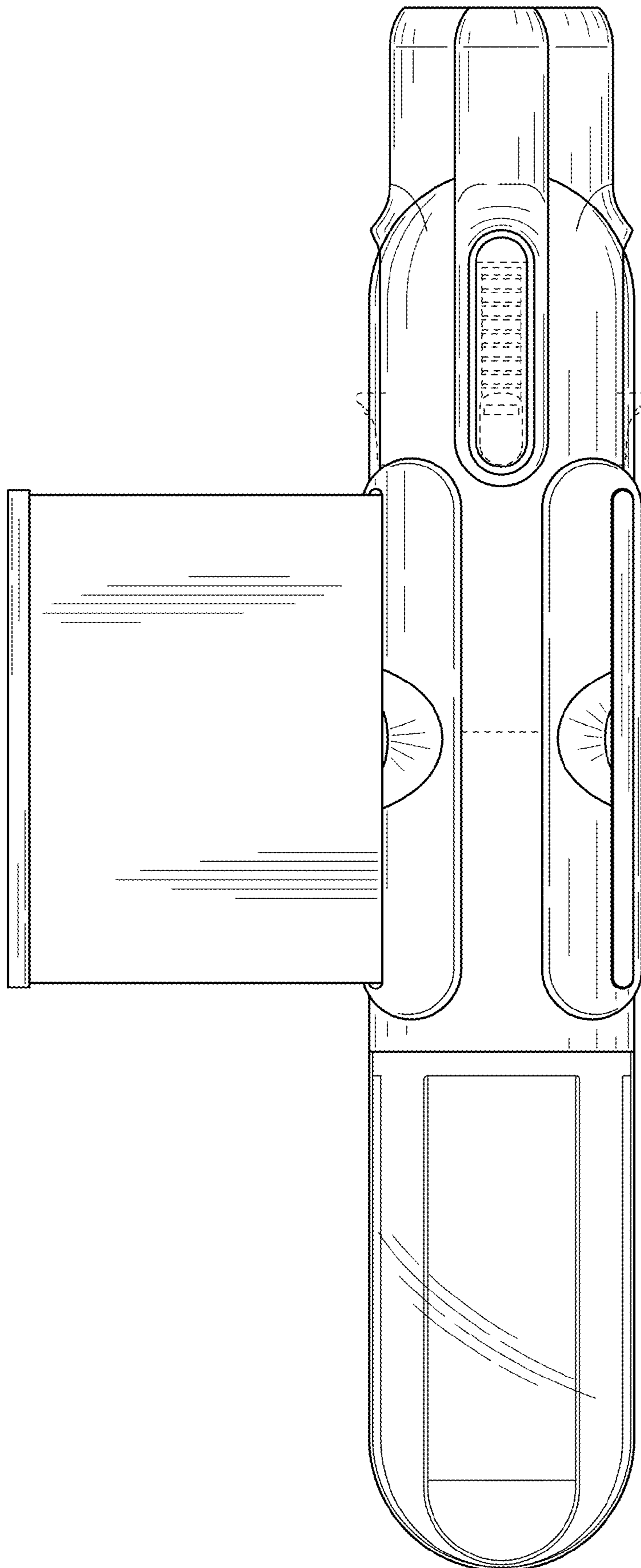


FIG. 13

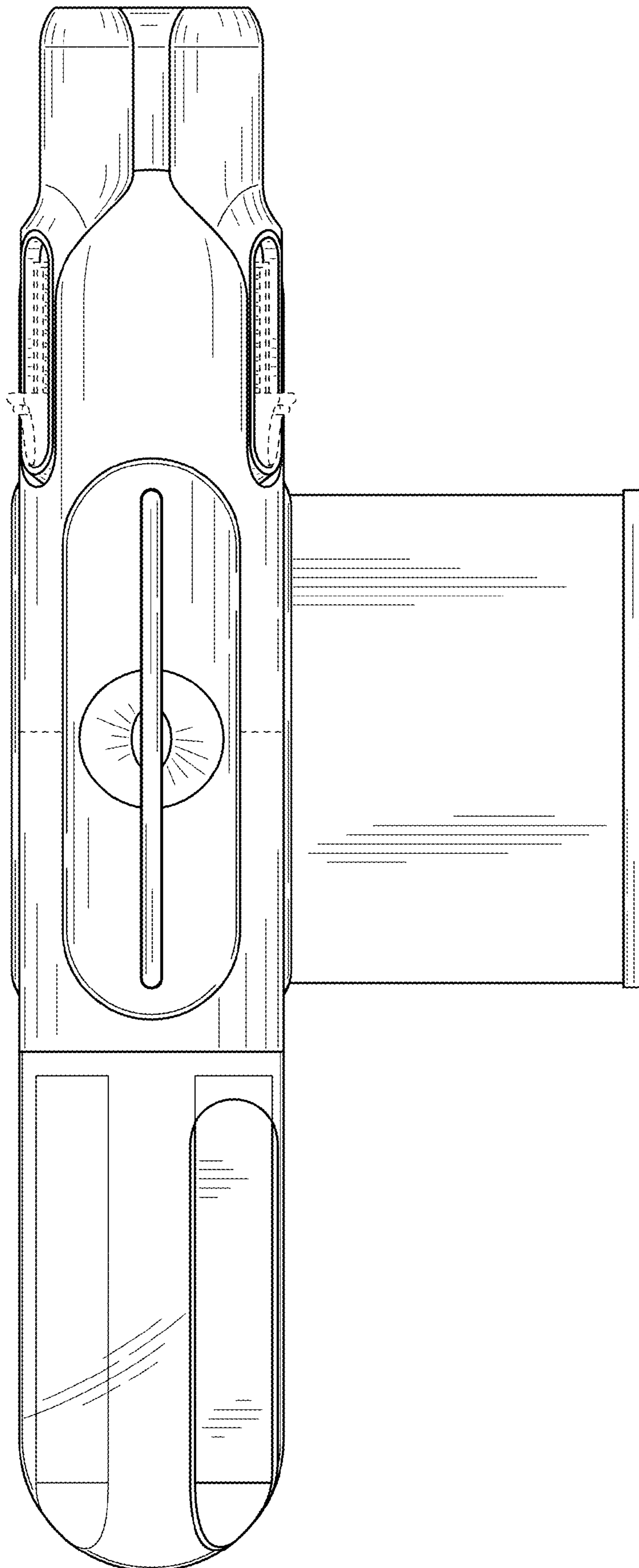


FIG. 14