

US00D895722S

(12) **United States Design Patent**
Inada et al.

(10) **Patent No.:** **US D895,722 S**
(45) **Date of Patent:** **** Sep. 8, 2020**

(54) **PRINTER**

(71) Applicant: **BROTHER INDUSTRIES, LTD.**,
Nagoya-shi, Aichi-ken (JP)

(72) Inventors: **Toshiya Inada**, Nagoya (JP);
Masayoshi Mita, Nagoya (JP)

(73) Assignee: **BROTHER INDUSTRIES, LTD.**,
Nagoya (JP)

(**) Term: **15 Years**

(21) Appl. No.: **29/705,473**

(22) Filed: **Sep. 12, 2019**

Related U.S. Application Data

(62) Division of application No. 29/665,428, filed on Oct. 3, 2018, now Pat. No. Des. 868,883.

(30) **Foreign Application Priority Data**

Apr. 12, 2018 (JP) 2018-008064
Apr. 12, 2018 (JP) 2018-008065

(51) **LOC (12) Cl.** **16-03**

(52) **U.S. Cl.**
USPC **D18/41; D18/50**

(58) **Field of Classification Search**
USPC D18/36, 37, 38, 39, 40, 41, 45, 55, 50,
D18/53, 54, 56, 59; D14/301, 307, 121
CPC H04N 1/00204; H04N 1/00249; H04N
1/00278; G06K 15/12; G06K 15/14; B41J
3/00; B41J 3/28; B41J 3/445; B41J 3/46
See application file for complete search history.

(56) **References Cited**

U.S. PATENT DOCUMENTS

D695,339 S 12/2013 Fukasawa et al.
D726,253 S 4/2015 Kim et al.

D769,968 S * 10/2016 So D18/56
D792,924 S * 7/2017 Dwyer D18/56
D792,925 S * 7/2017 Peng D18/56
D815,197 S 4/2018 Kim et al.
D815,199 S 4/2018 Kim et al.
D821,488 S 6/2018 Brown et al.

(Continued)

OTHER PUBLICATIONS

Amazon. Link: https://www.amazon.com/dp/B07T3HB1VZ/ref=cm_sw_r_tw_dp_U_x_ylx5Db6EBR4K2. Jul. 9, 2019. Lexmark MB2236adwe Multifunction Wireless Monochrome Laser Printer with a 2.8 Inch Color Touch Screen, Standard Two-Sided Printing, Fax Capability (18M0700). (Year: 2019).*

(Continued)

Primary Examiner — Lauren D McVey

(74) *Attorney, Agent, or Firm* — Oliff PLC

(57) **CLAIM**

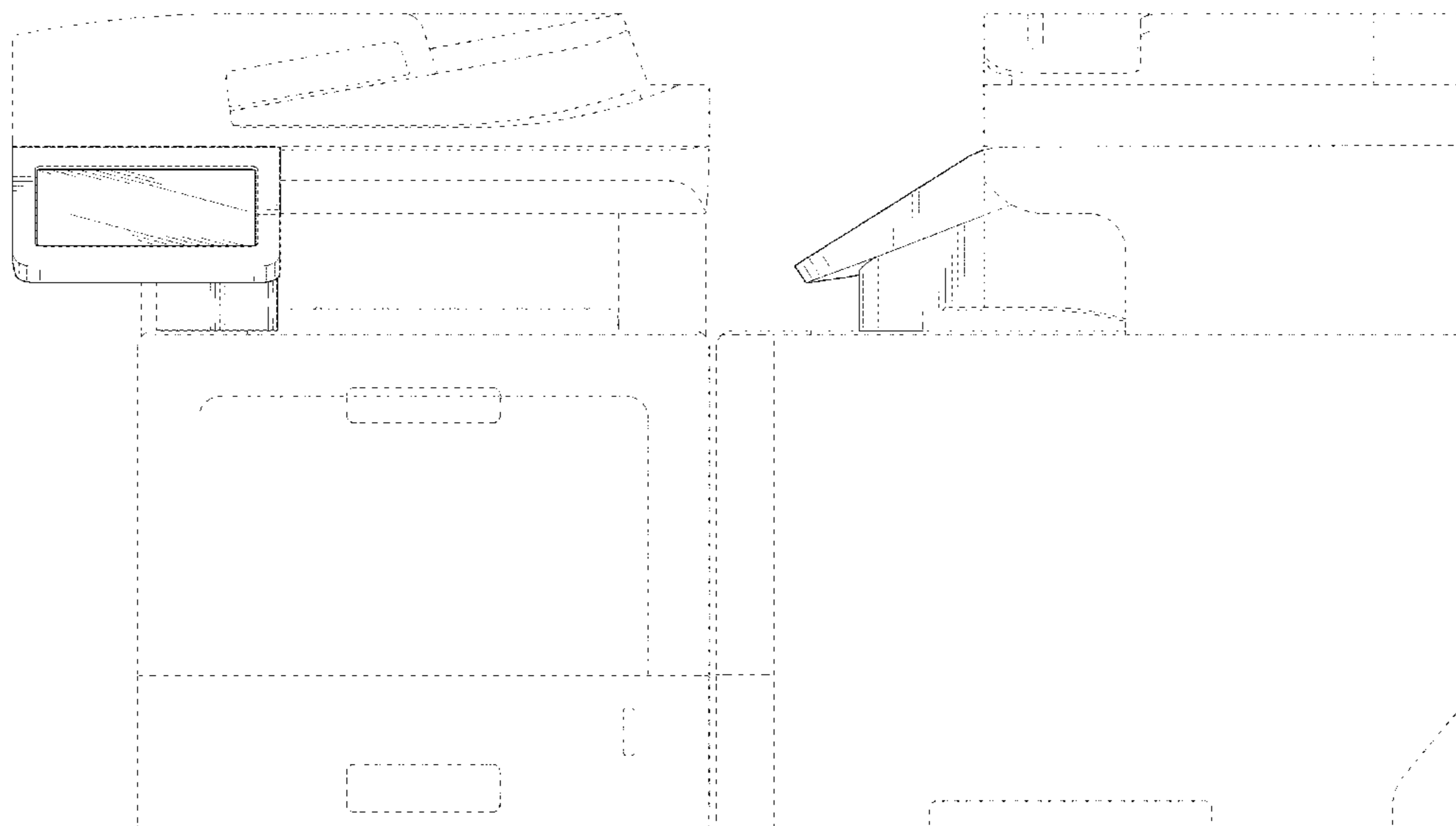
The ornamental design for a printer, as shown and described.

DESCRIPTION

FIG. 1 is a right-side perspective view of a printer;
FIG. 2 is a front view thereof;
FIG. 3 is a top view thereof;
FIG. 4 is a left-side view thereof;
FIG. 5 is a right-side view thereof;
FIG. 6 is a rear view thereof;
FIG. 7 is a bottom view thereof; and,
FIG. 8 is a left-side perspective view thereof.

The dot-dash broken lines and evenly spaced broken lines immediately adjacent to the shaded areas depict the bounds of the claimed design, while all other evenly spaced broken lines are directed to environment. In addition, the unshaded surface that directly adjoins the solid line edges form no part of the claimed design. The broken lines form no part of the claimed design.

1 Claim, 8 Drawing Sheets



(56)

References Cited

U.S. PATENT DOCUMENTS

D821,489 S 6/2018 Brown et al.
D821,490 S * 6/2018 Mita D18/55
D822,103 S * 7/2018 Mita D18/55
D823,939 S * 7/2018 Inada D18/50
D826,321 S 8/2018 Kim et al.
D827,019 S * 8/2018 Egami D18/40
D830,451 S 10/2018 Makino et al.
D832,341 S 10/2018 Brown et al.
D832,343 S 10/2018 Kim et al.
D836,712 S 12/2018 Brown et al.
D849,134 S * 5/2019 Kimura D18/55
D849,836 S 5/2019 Han et al.
2018/0101114 A1 4/2018 Takeuchi et al.

OTHER PUBLICATIONS

Amazon. Link: https://www.amazon.com/HP-LaserJet-M426fdw-Double-Sided-Replenishment/dp/B013SKICA8/ref=sr_1_14?keywords=copier&qid=1565710098&s=gateway&sr=8-14. Aug. 21, 2015. HP LaserJet Pro M426fdw All-in-One Wireless Laser Printer with Double-Sided Printing. (Year: 2015).

* cited by examiner

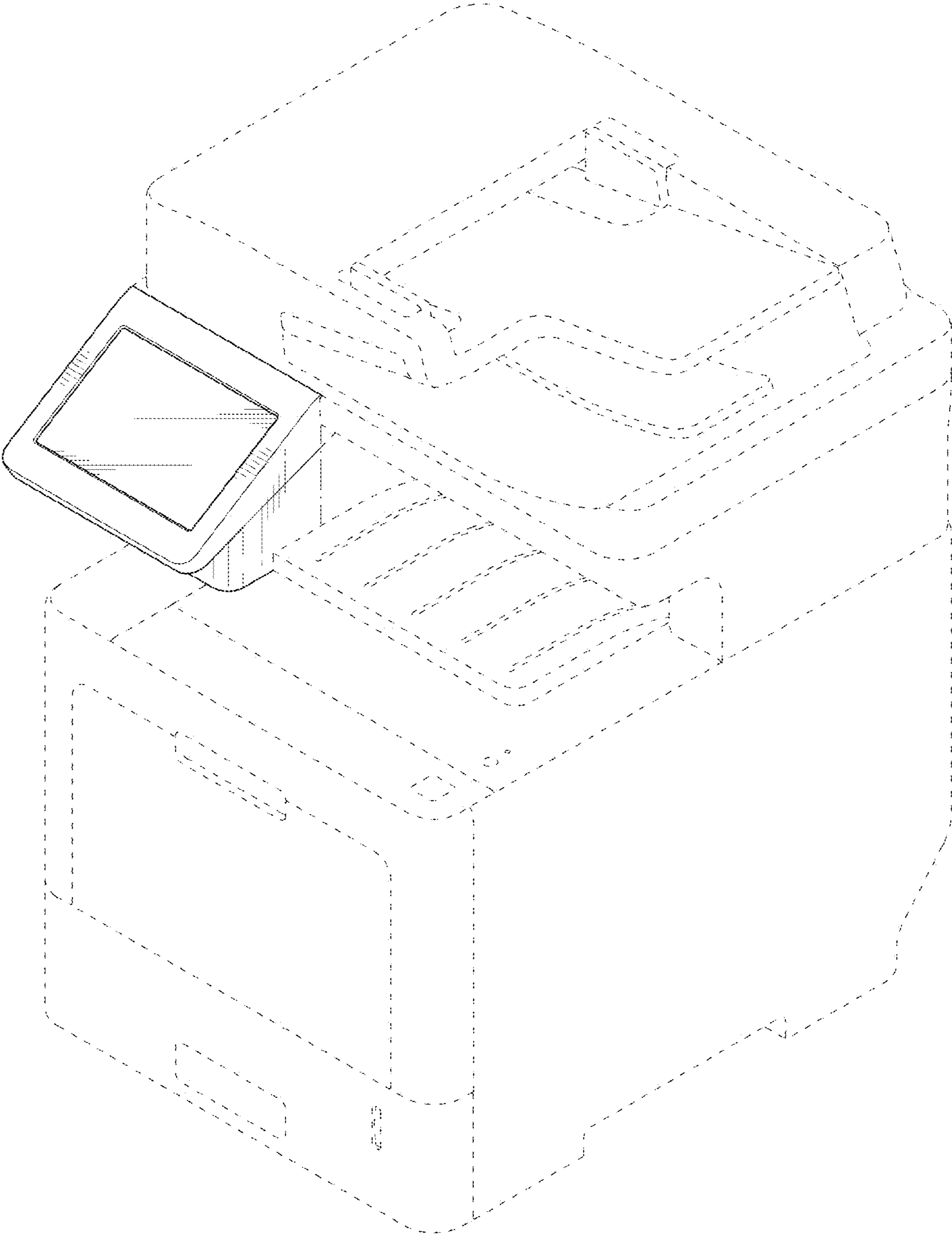


FIG. 1

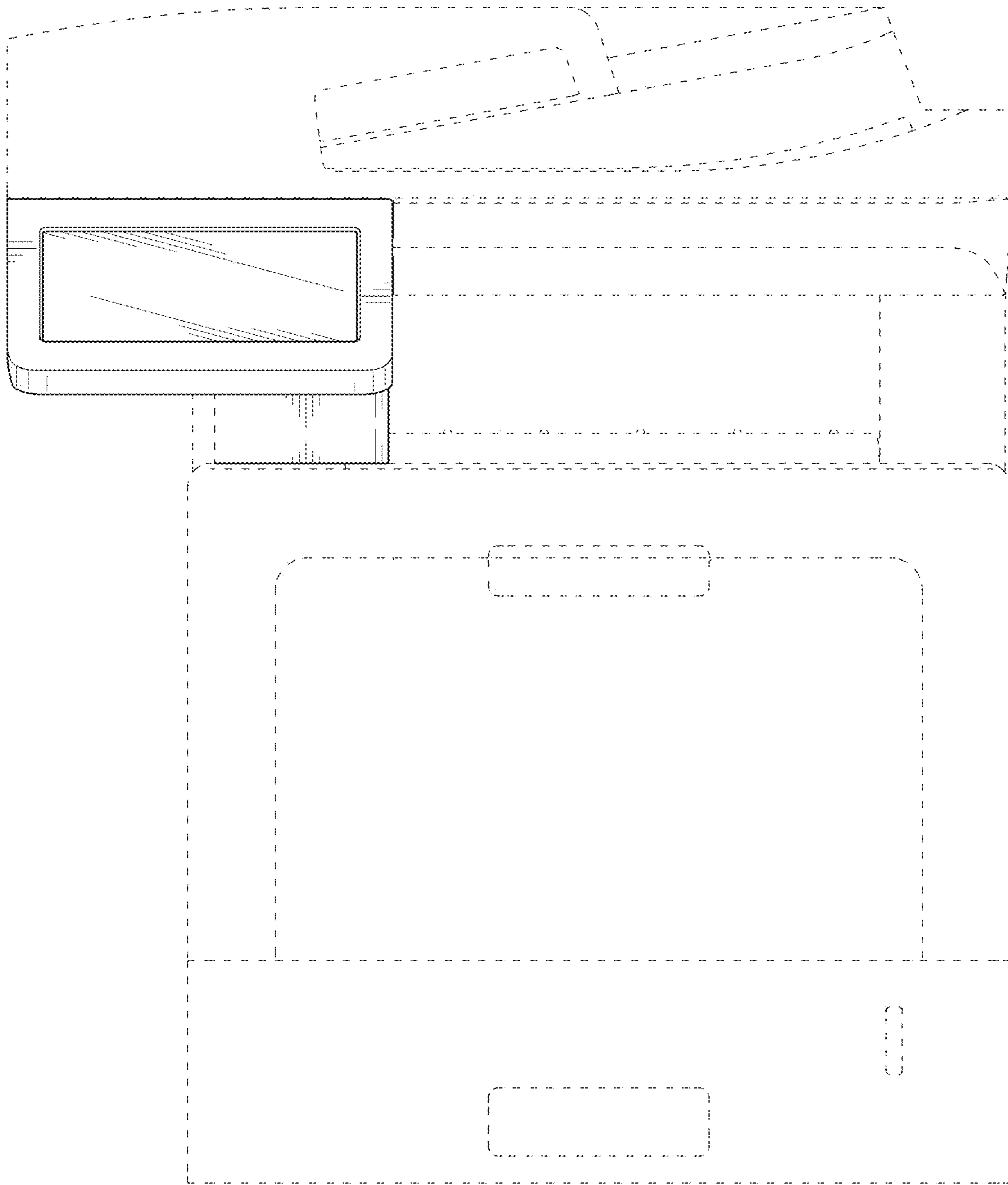


FIG. 2

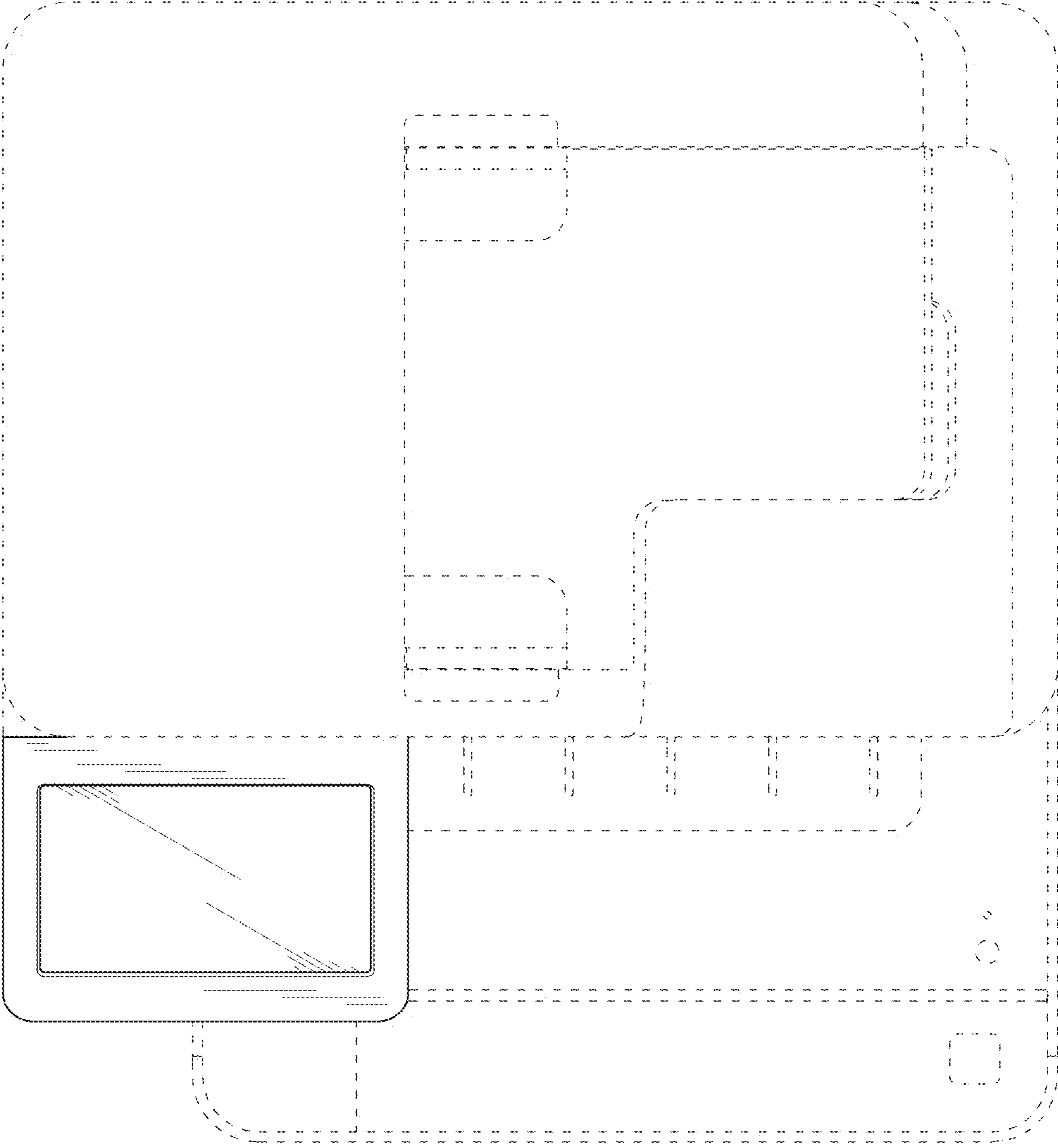


FIG. 3

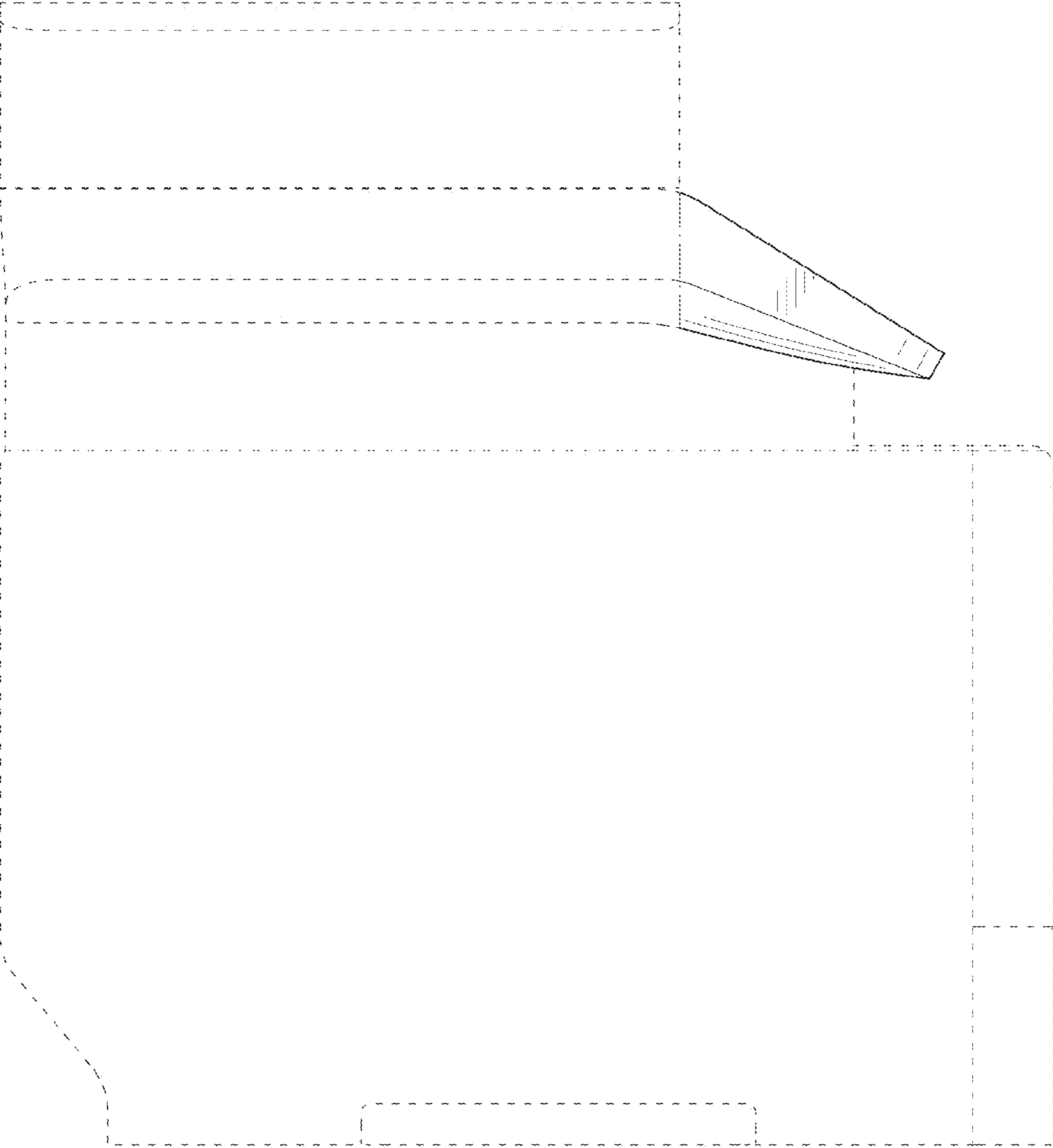


FIG. 4

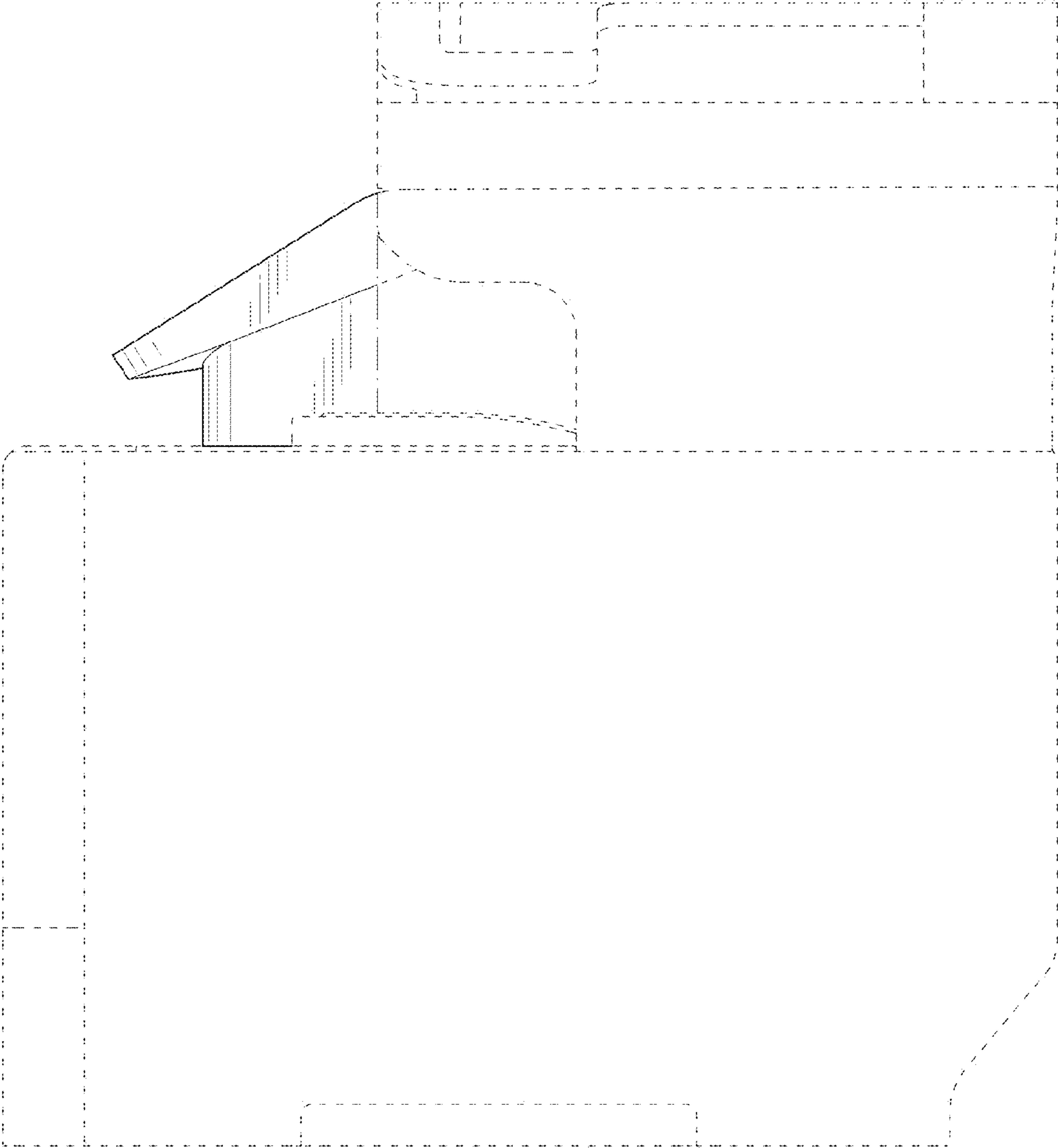


FIG. 5

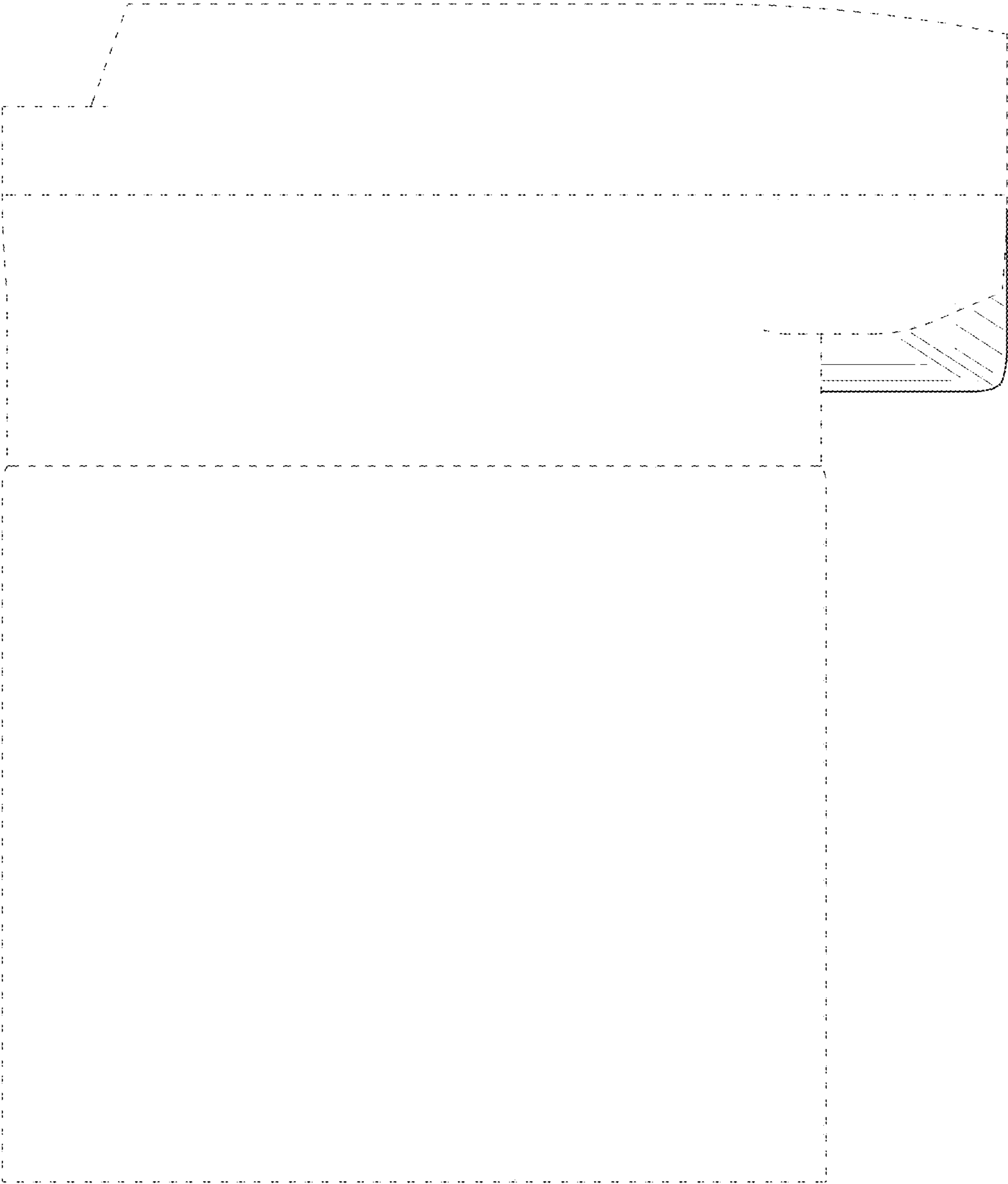


FIG. 6

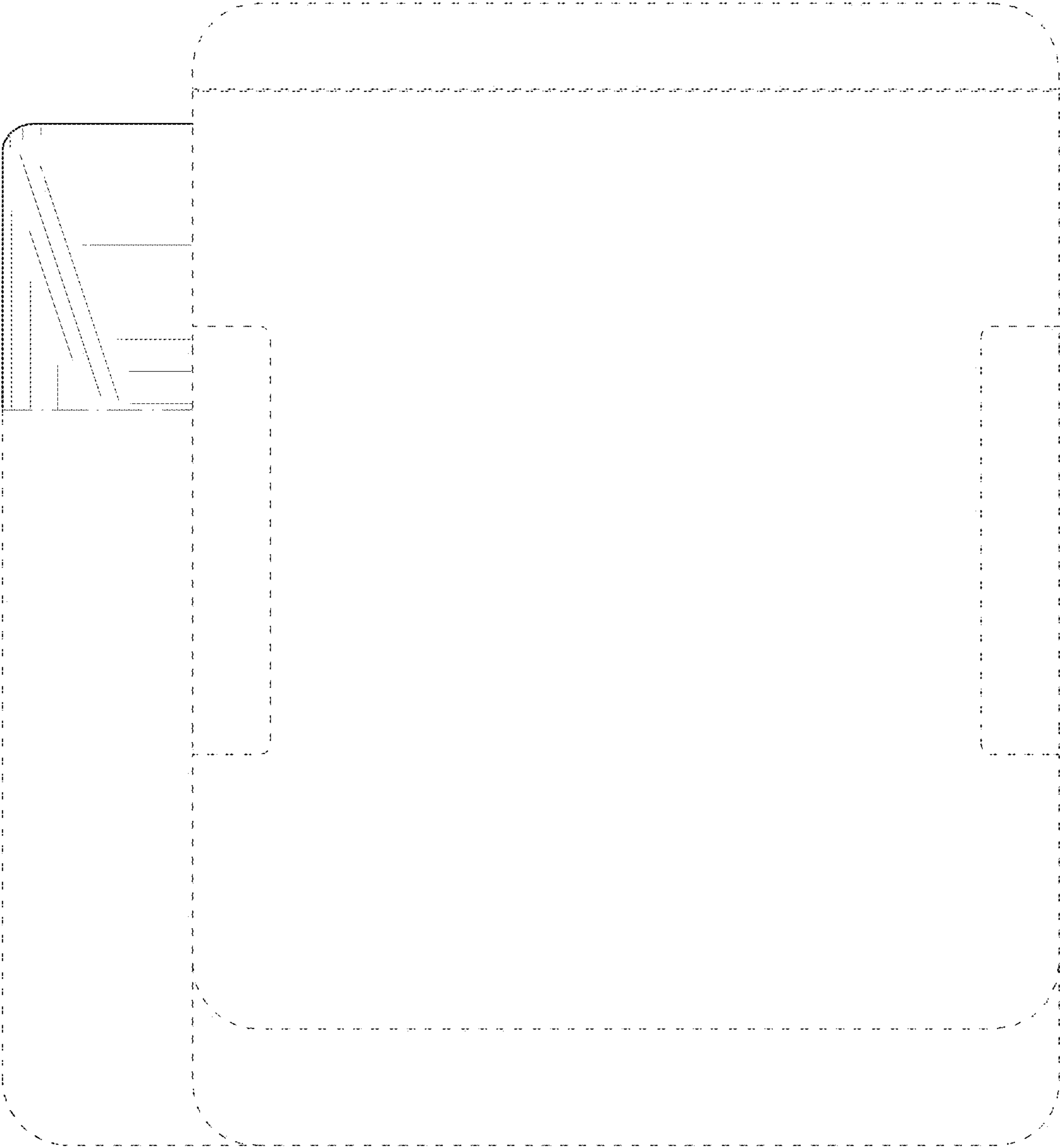


FIG. 7

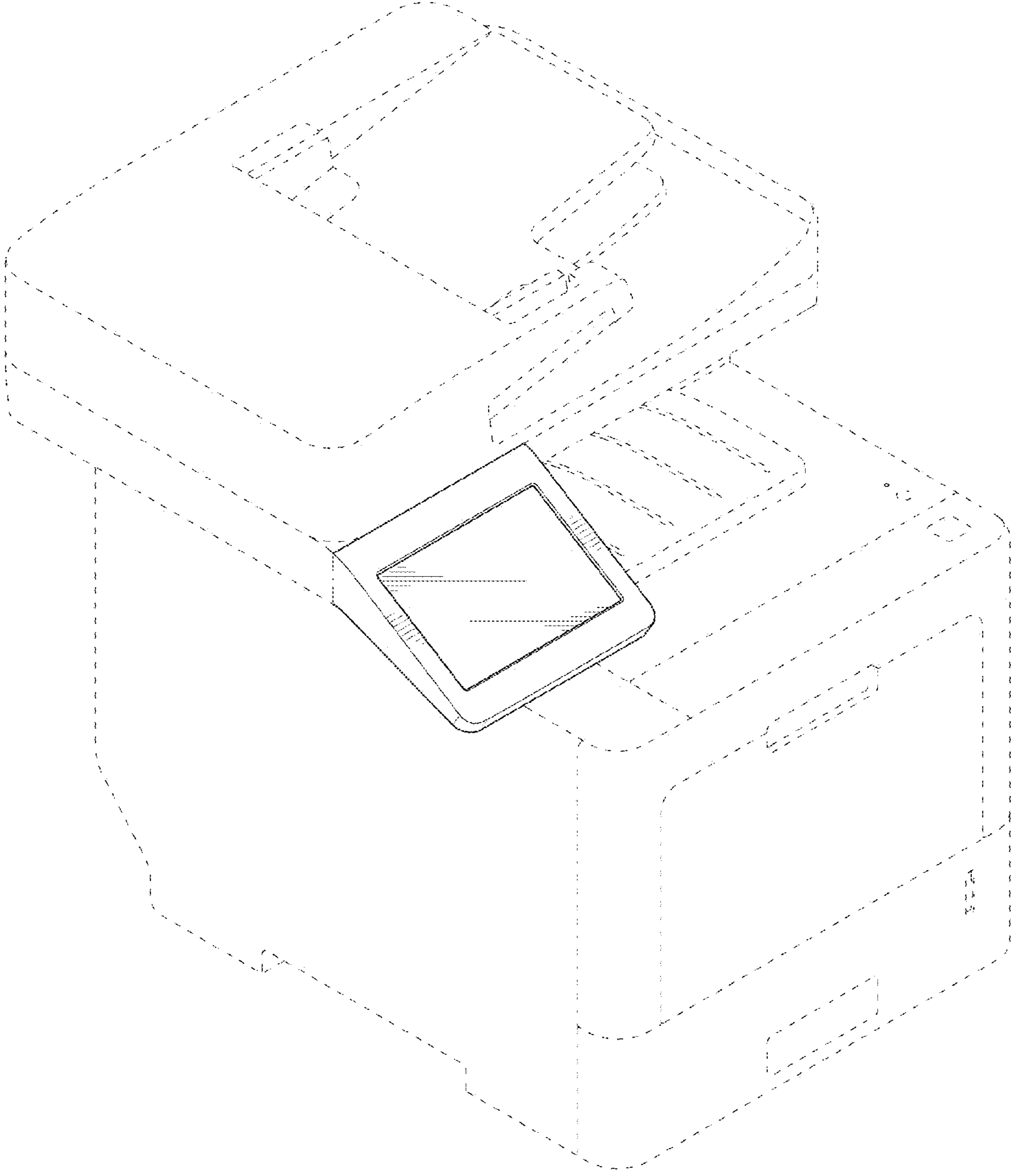


FIG. 8