



US00D895720S

(12) **United States Design Patent** (10) **Patent No.:** **US D895,720 S**
Tashima (45) **Date of Patent:** **** Sep. 8, 2020**

- (54) **LABEL PRINTER**
- (71) Applicant: **BROTHER INDUSTRIES, LTD.**,
Nagoya-shi, Aichi-ken (JP)
- (72) Inventor: **Kazuhisa Tashima**, Nagoya (JP)
- (73) Assignee: **BROTHER INDUSTRIES, LTD.**,
Nagoya (JP)
- (**) Term: **15 Years**
- (21) Appl. No.: **29/692,436**
- (22) Filed: **May 24, 2019**
- (30) **Foreign Application Priority Data**
Dec. 27, 2018 (JP) 2018-028580
- (51) **LOC (12) Cl.** **18-99**
- (52) **U.S. Cl.**
USPC **D18/19**
- (58) **Field of Classification Search**
USPC D18/50, 53, 54, 55, 56, 59, 45, 14-19,
D18/36-41; D19/65, 66, 67, 68, 69, 70,
D19/71; D14/301, 307, 121
CPC H04N 1/00204; H04N 1/00249; H04N
1/00278; G06K 15/12; G06K 15/14; B41J
3/00; B41J 3/28; B41J 3/445; B41J 3/46
See application file for complete search history.

- (56) **References Cited**
U.S. PATENT DOCUMENTS
2,907,275 A * 10/1959 Maki B41K 3/04
101/413
D210,108 S * 2/1968 Kooch D18/50
D393,278 S * 4/1998 Lee D18/14
D478,116 S * 8/2003 Nakaeda D18/19
D622,760 S * 8/2010 Kimura D18/50
D765,166 S * 8/2016 Takahashi D18/50
D771,182 S * 11/2016 Takahashi D18/50
D775,275 S * 12/2016 Takahashi D18/50
D812,132 S * 3/2018 Ozawa D18/19

- D812,678 S * 3/2018 Ozawa D18/19
- D857,092 S * 8/2019 Michie D18/19
- D858,627 S * 9/2019 Campanini D18/50
- D861,065 S * 9/2019 Chih D18/19

FOREIGN PATENT DOCUMENTS

- EP 0750277 A2 * 12/1996 B41J 2/16538

OTHER PUBLICATIONS

TSC printers. Link: https://jad5p481iok18f24519n5ve1-wpengine.netdna-ssl.com/wp-content/uploads/2018/01/TTP-245C_Series_Navy.pdf. Jan. 2018. TTP-245C SERIES—Desktop Thermal Transfer Bar Code Printer. (Year: 2018).*

TSC printers. Link: https://jad5p481iok18f24519n5ve1-wpengine.netdna-ssl.com/wp-content/uploads/2018/06/TTP-247_Series_ENG_datasheet_A4-1.pdf. Jun. 2018. TTP-247 SERIES—Desktop Thermal Transfer Bar Code Printer. (Year: 2018).*

* cited by examiner

Primary Examiner — Lauren D McVey
(74) *Attorney, Agent, or Firm* — Oliff PLC

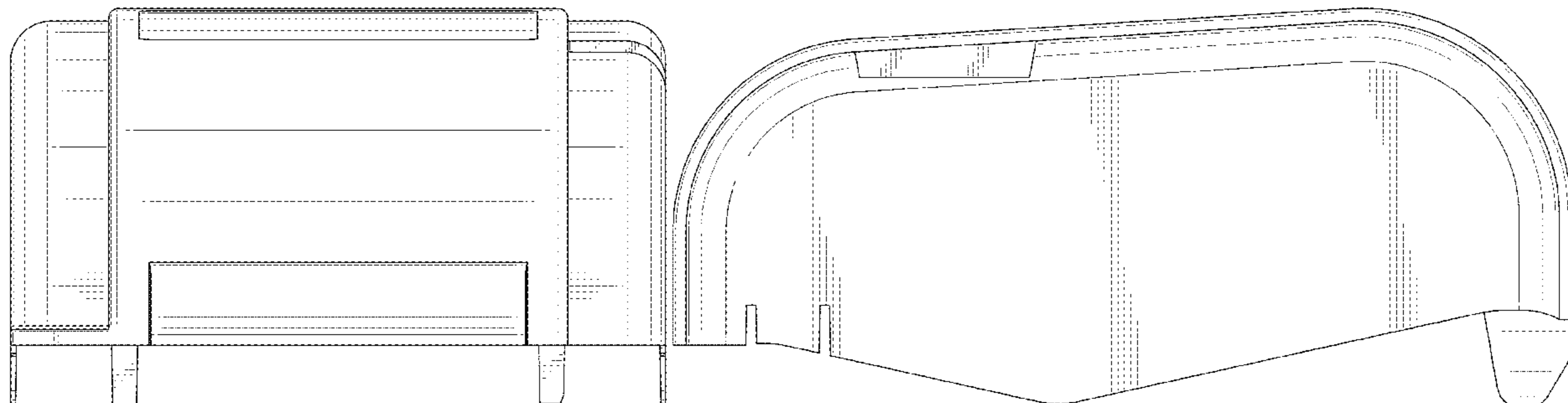
(57) **CLAIM**

The ornamental design for a label printer, as shown and described.

DESCRIPTION

FIG. 1 is a perspective view of the label printer;
FIG. 2 is a front elevational view thereof;
FIG. 3 is a rear elevational view thereof;
FIG. 4 is a left-side elevational view thereof;
FIG. 5 is a right-side elevational view thereof;
FIG. 6 is a top plan view thereof;
FIG. 7 is a bottom plan view thereof; and,
FIG. 8 is a reference perspective view thereof in a state of use.
The evenly spaced broken lines depict environmental subject matter only and form no part of the claimed design.

1 Claim, 8 Drawing Sheets



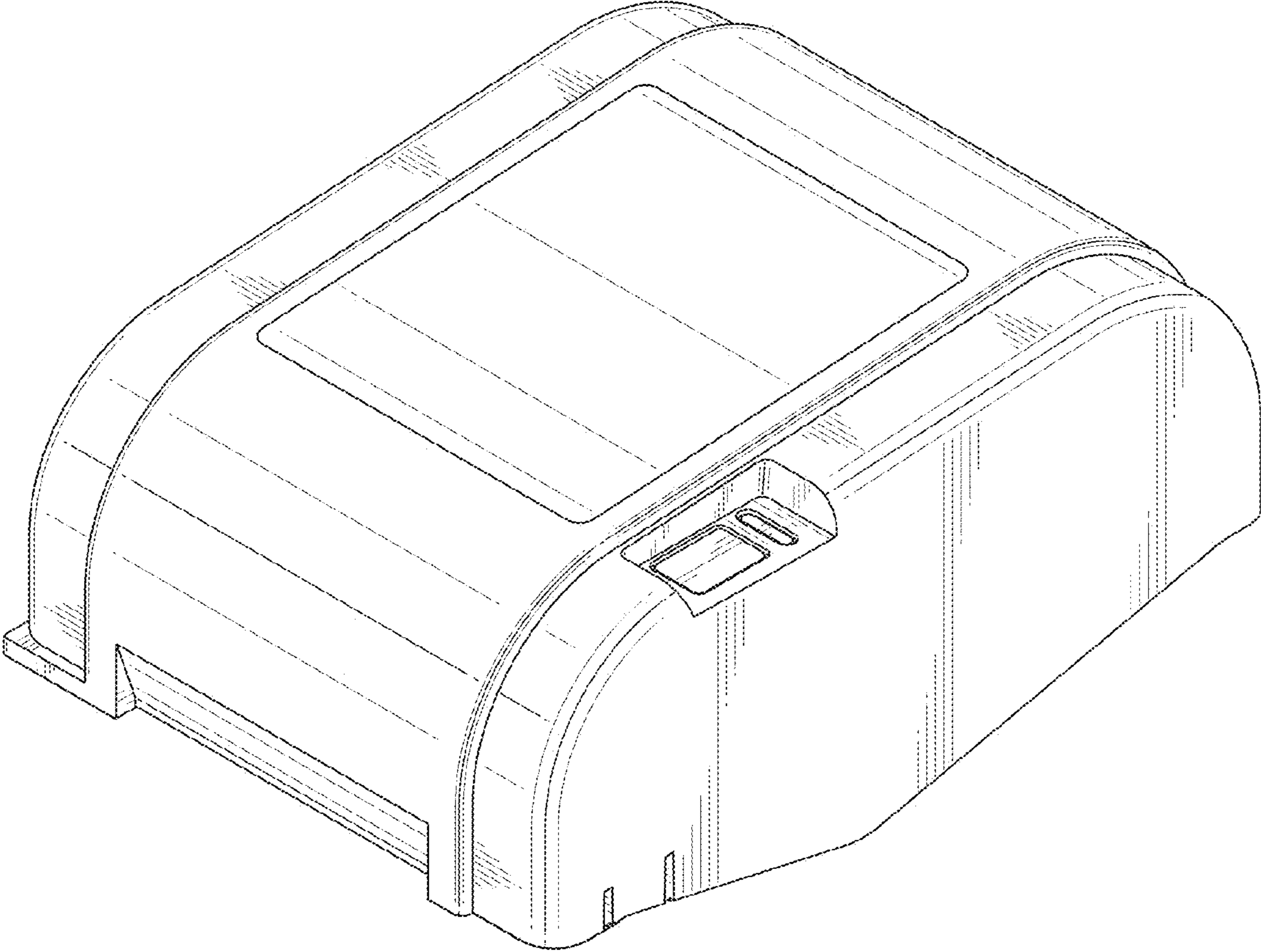


FIG. 1

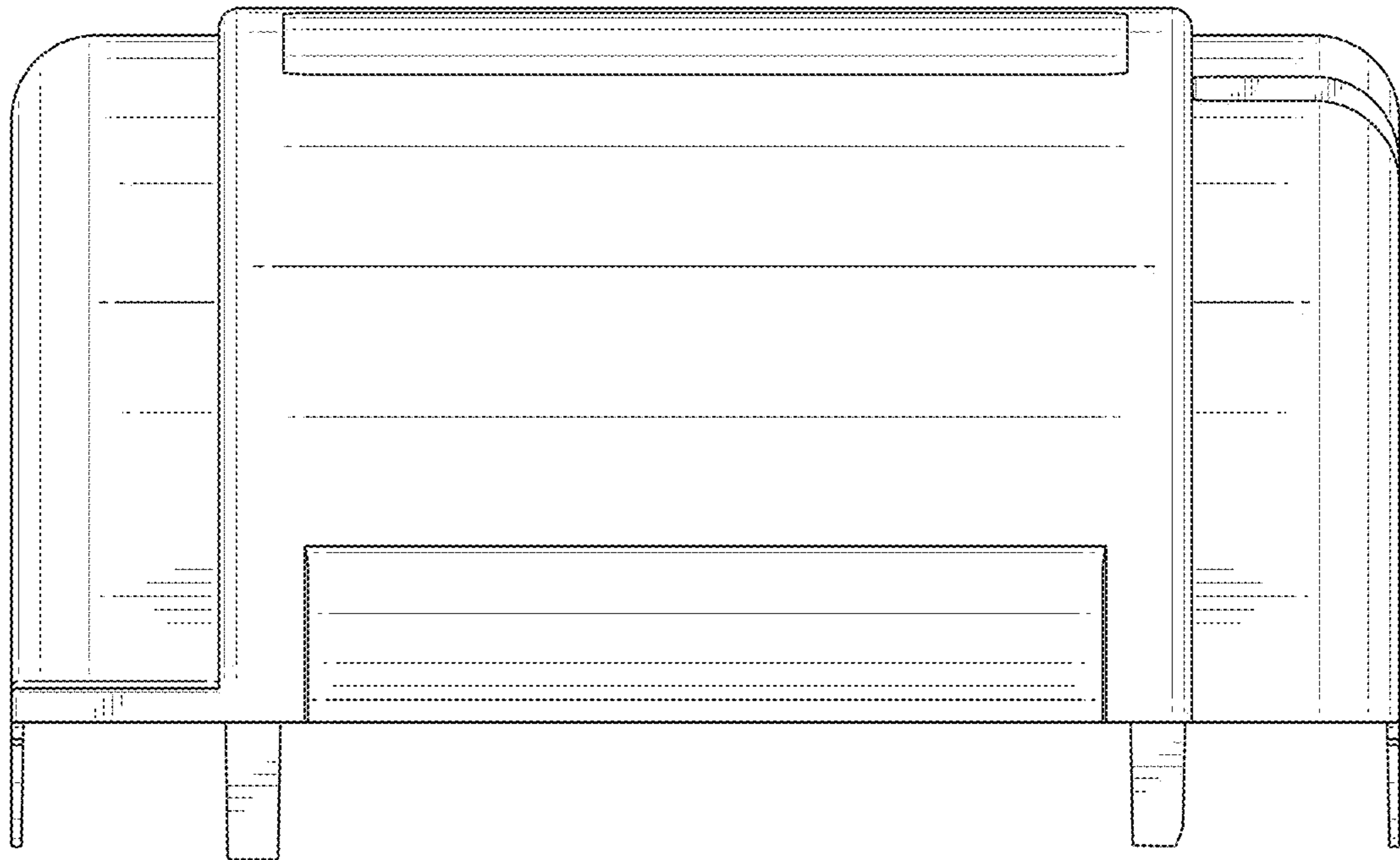


FIG. 2

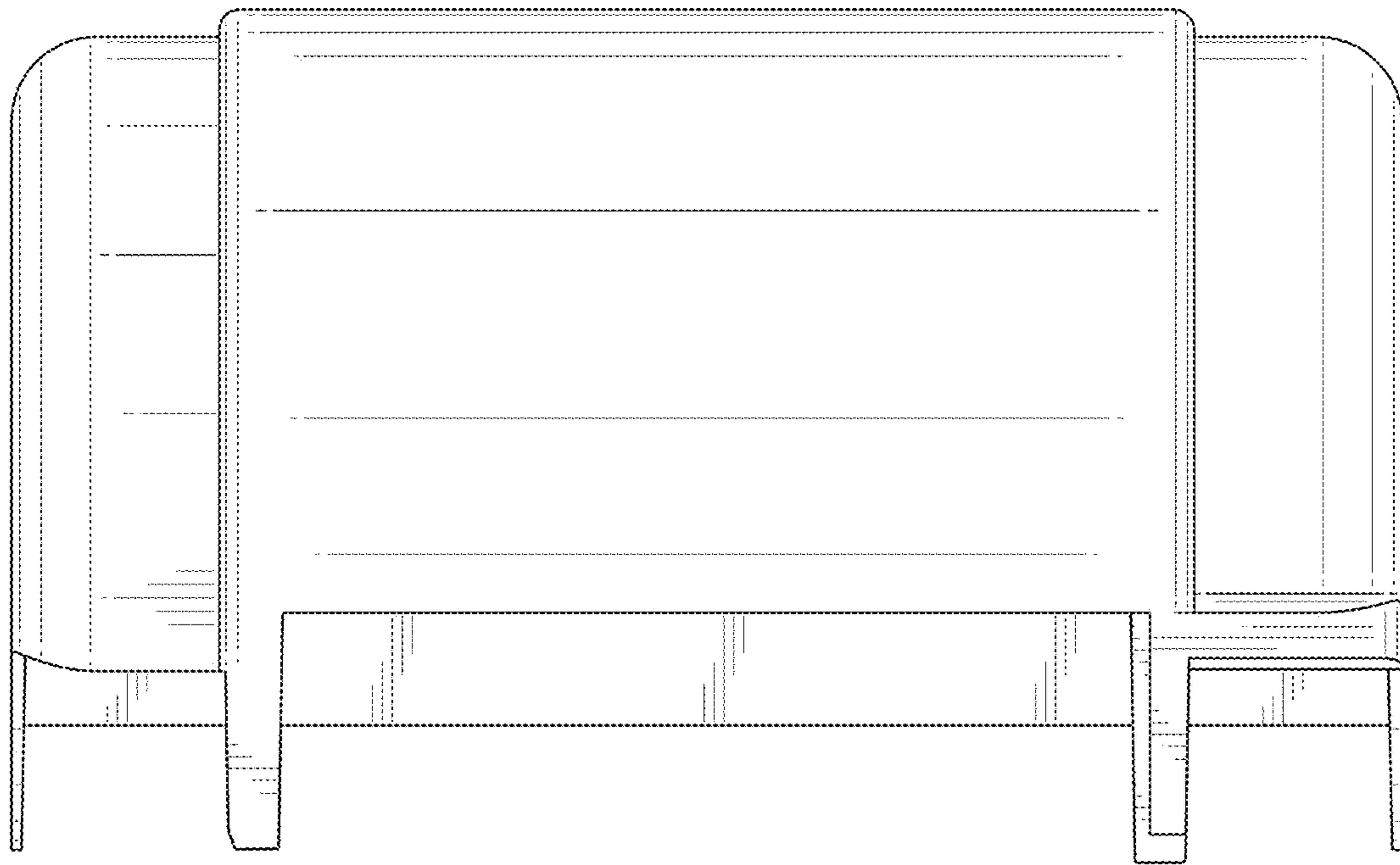


FIG. 3

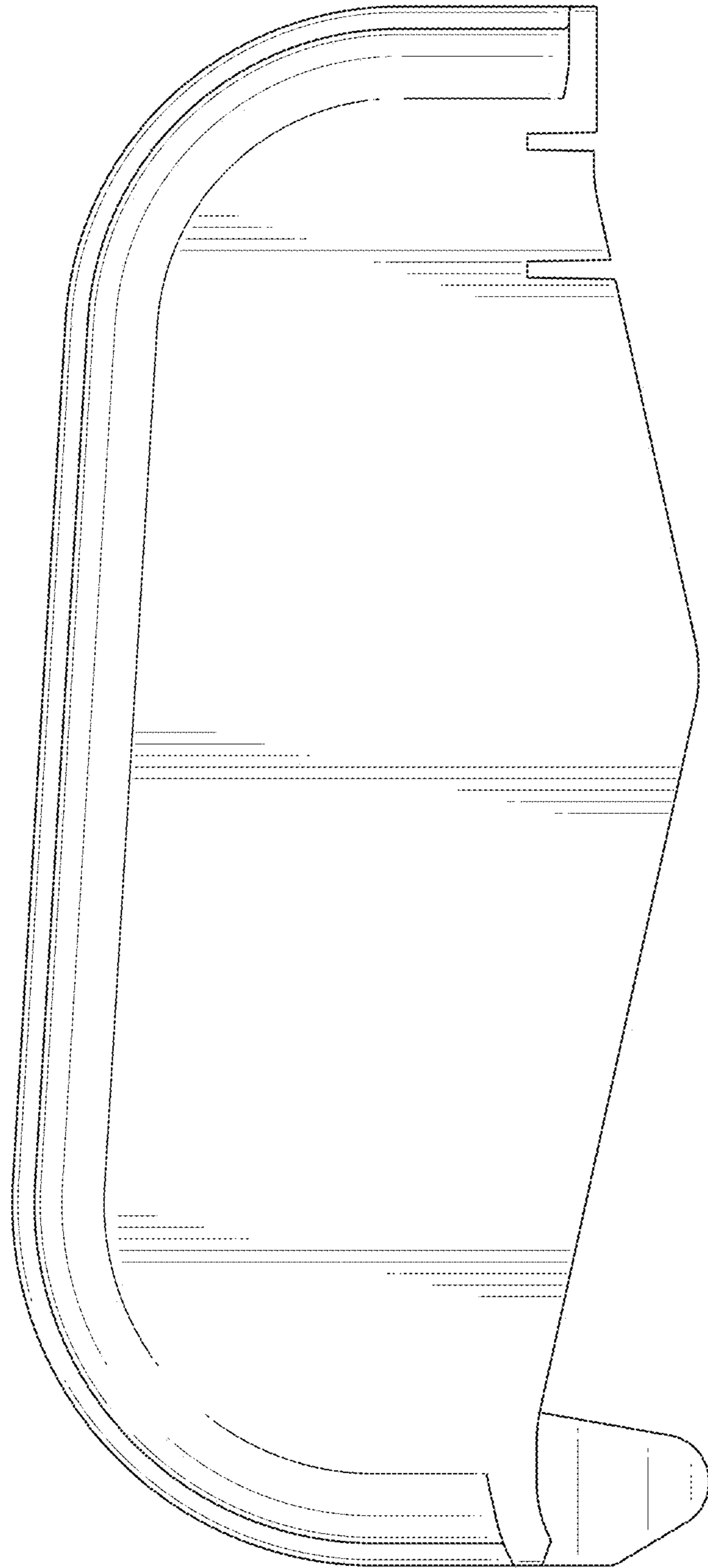


FIG. 4

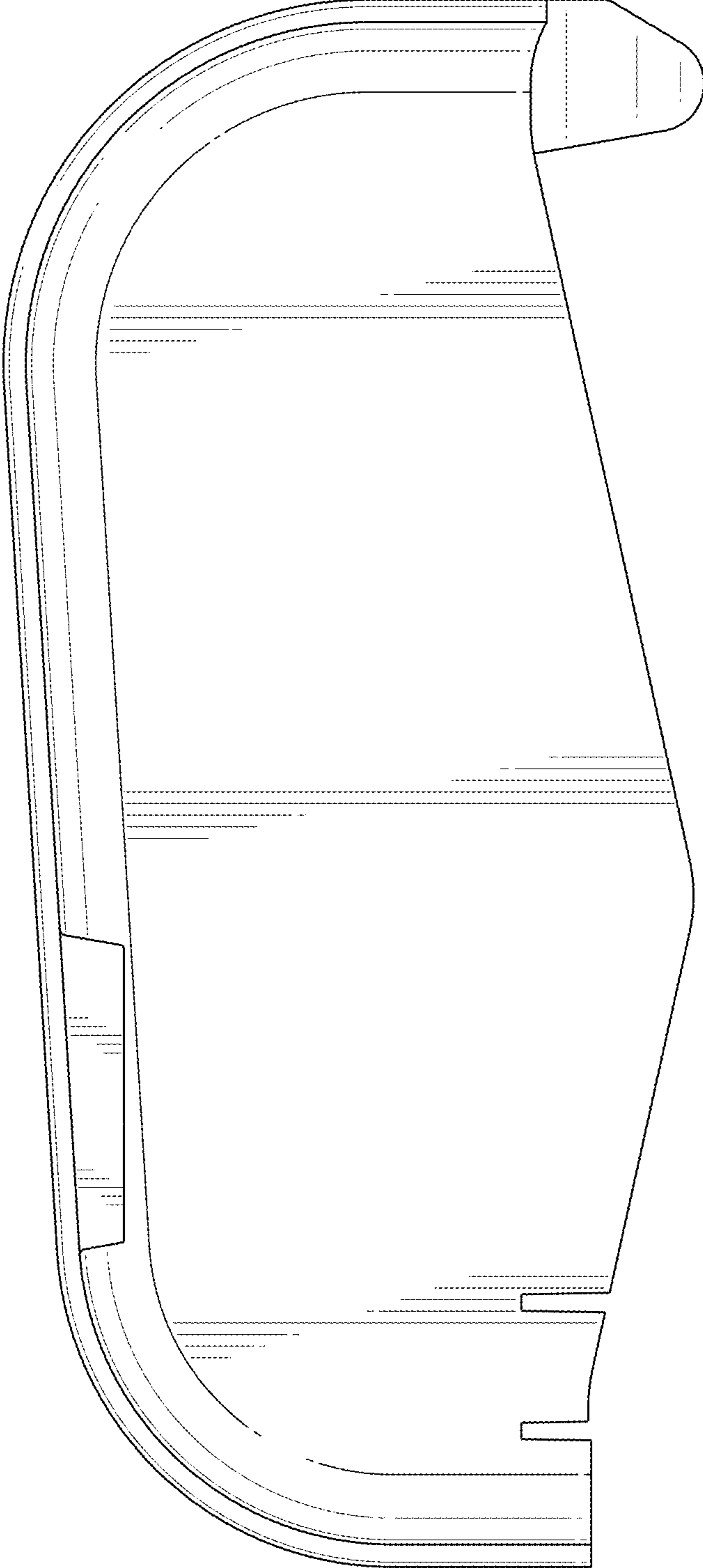


FIG. 5

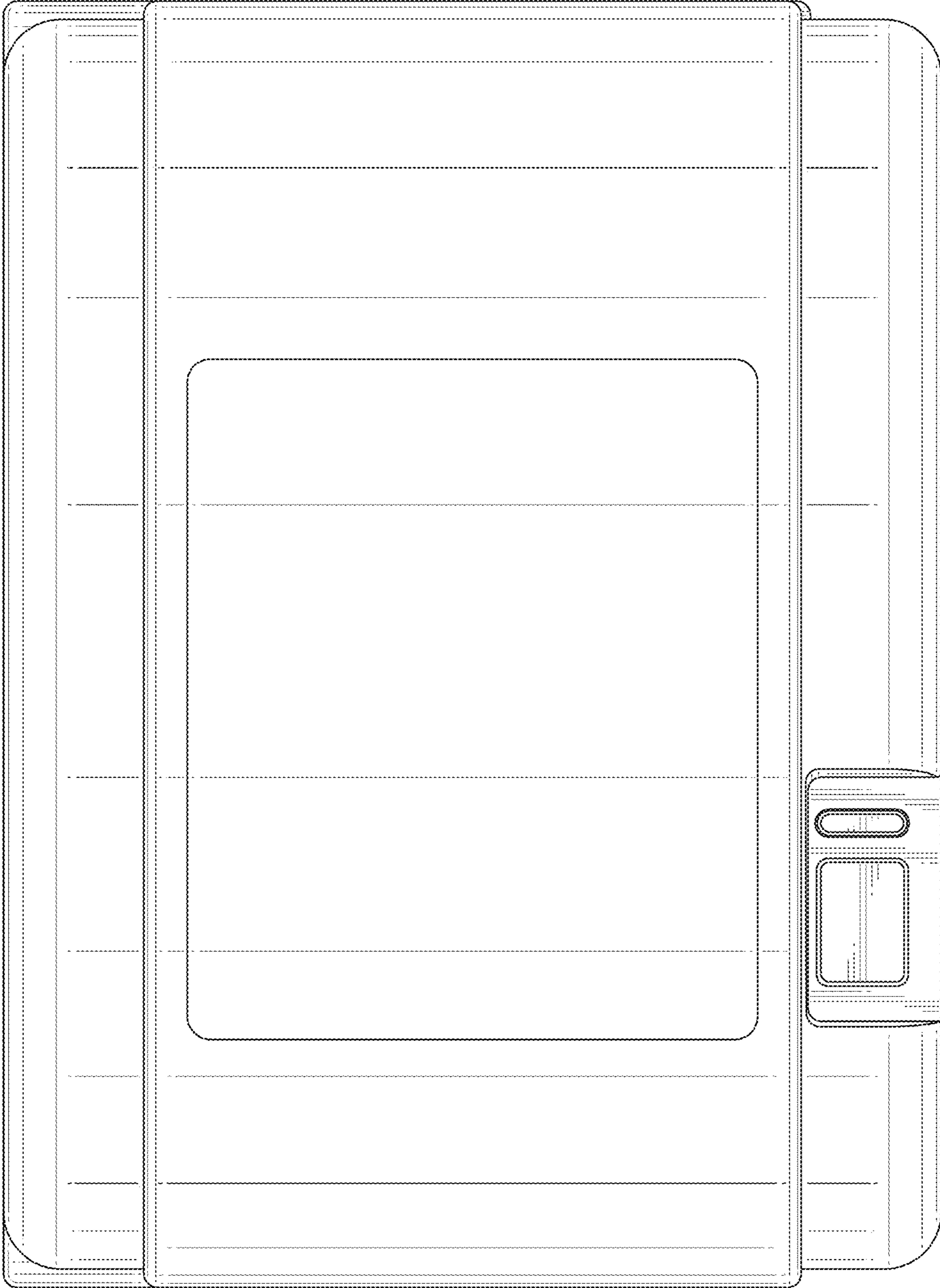


FIG. 6

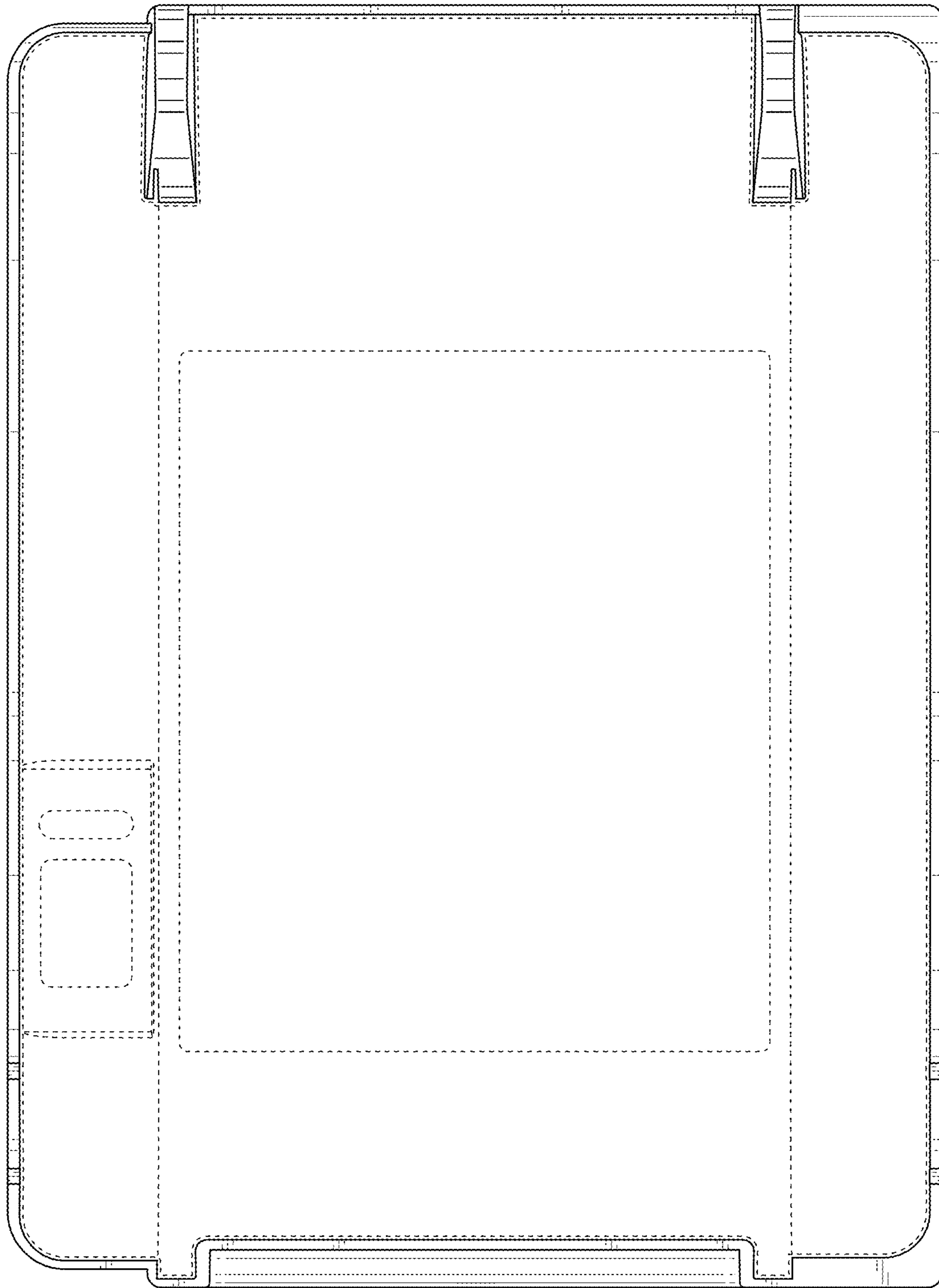


FIG. 7

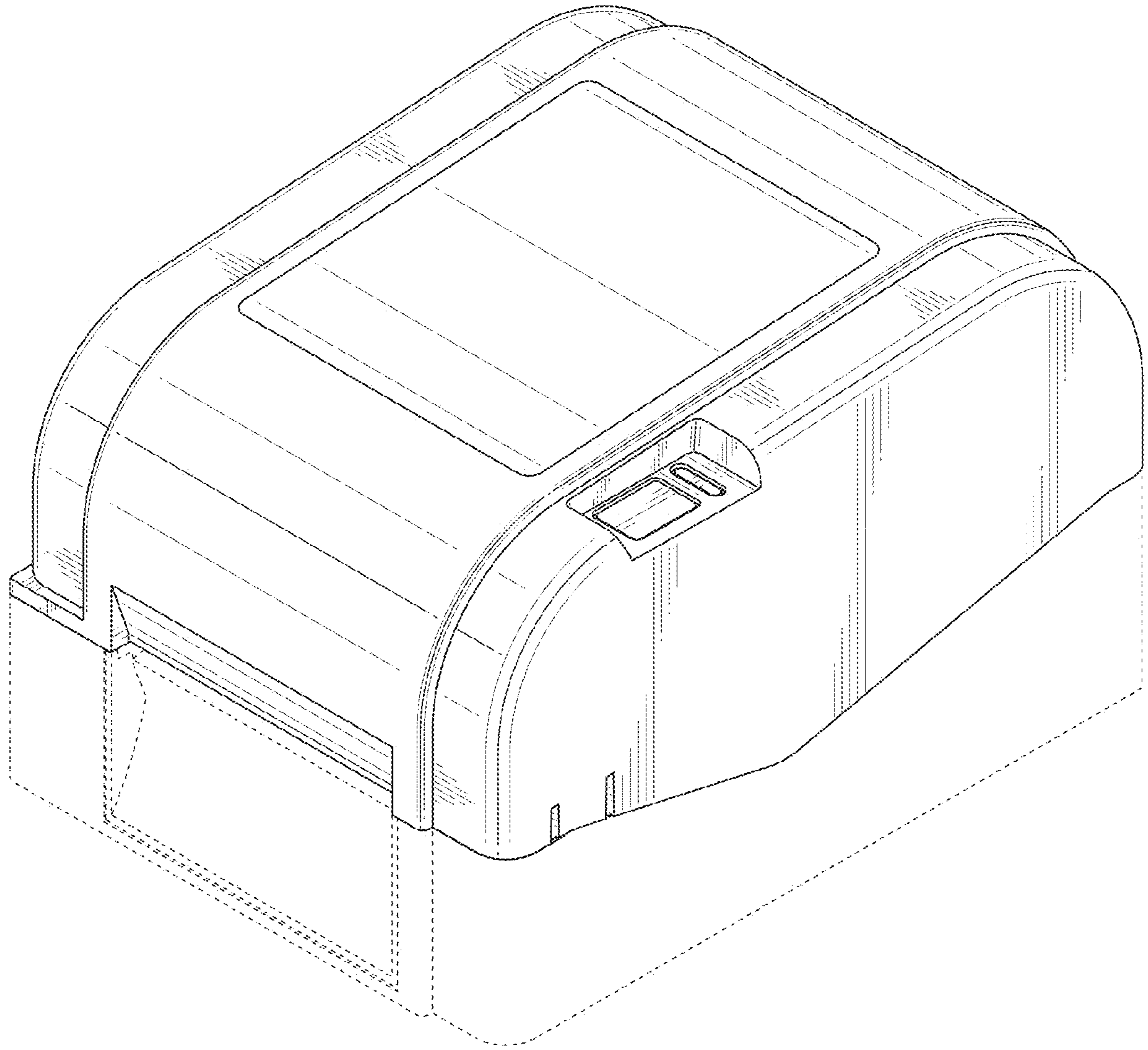


FIG. 8