



US00D895716S

(12) **United States Design Patent**
Chen

(10) **Patent No.:** **US D895,716 S**

(45) **Date of Patent:** **** Sep. 8, 2020**

(54) **TRIPOD FOR PHONE**

(71) Applicant: **WENZHOU MICRO RESEARCH & DEVELOPMENT INVESTING CO., LTD.**, Yueqing (CN)

(72) Inventor: **Zhuangxiaoyi Chen**, Shenzhen (CN)

(73) Assignee: **WENZHOU MICRO RESEARCH & DEVELOPMENT INVESTING CO., LTD.**, Yueqing (CN)

(**) Term: **15 Years**

(21) Appl. No.: **29/731,660**

(22) Filed: **Apr. 16, 2020**

(51) **LOC (12) Cl.** **16-05**

(52) **U.S. Cl.**
USPC **D16/244; D14/253**

(58) **Field of Classification Search**
USPC D16/219, 237-250; D14/224, 229, 238, D14/251, 253, 447, 451, 457
CPC G03B 17/56; G03B 17/561-566
See application file for complete search history.

(56) **References Cited**

U.S. PATENT DOCUMENTS

D268,458	S	*	4/1983	Schoenig	D16/244
D269,880	S	*	7/1983	Iwasaki	D16/244
4,697,772	A	*	10/1987	Kosugi	F16M 11/105 248/183.3
D299,244	S	*	1/1989	Jones	D16/244
4,988,064	A	*	1/1991	Hoshino	F16M 11/2057 248/170
D333,479	S	*	2/1993	Chun-Mao	D16/244
D421,447	S	*	3/2000	Eason	D16/244
D450,339	S	*	11/2001	Eason	D16/244
D552,660	S	*	10/2007	Lee	D16/242
D570,618	S	*	6/2008	Tai	D14/229
D632,720	S	*	2/2011	Barker	D16/244
D657,977	S	*	4/2012	Belitz	D6/681.1

(Continued)

OTHER PUBLICATIONS

Husky Telescoping Tripod for LED Portable Worklight with Adjustable Legs and Easy Release System for Installing and Detaching Worklight, 47.24 in. Height. [online] Retrieved Jul. 16, 2020 from URL: <https://www.amazon.com/Telescoping-Worklight-Adjustable-Installing-Detaching/dp/B0757G7ZX8>.*

(Continued)

Primary Examiner — Vy N Koenig

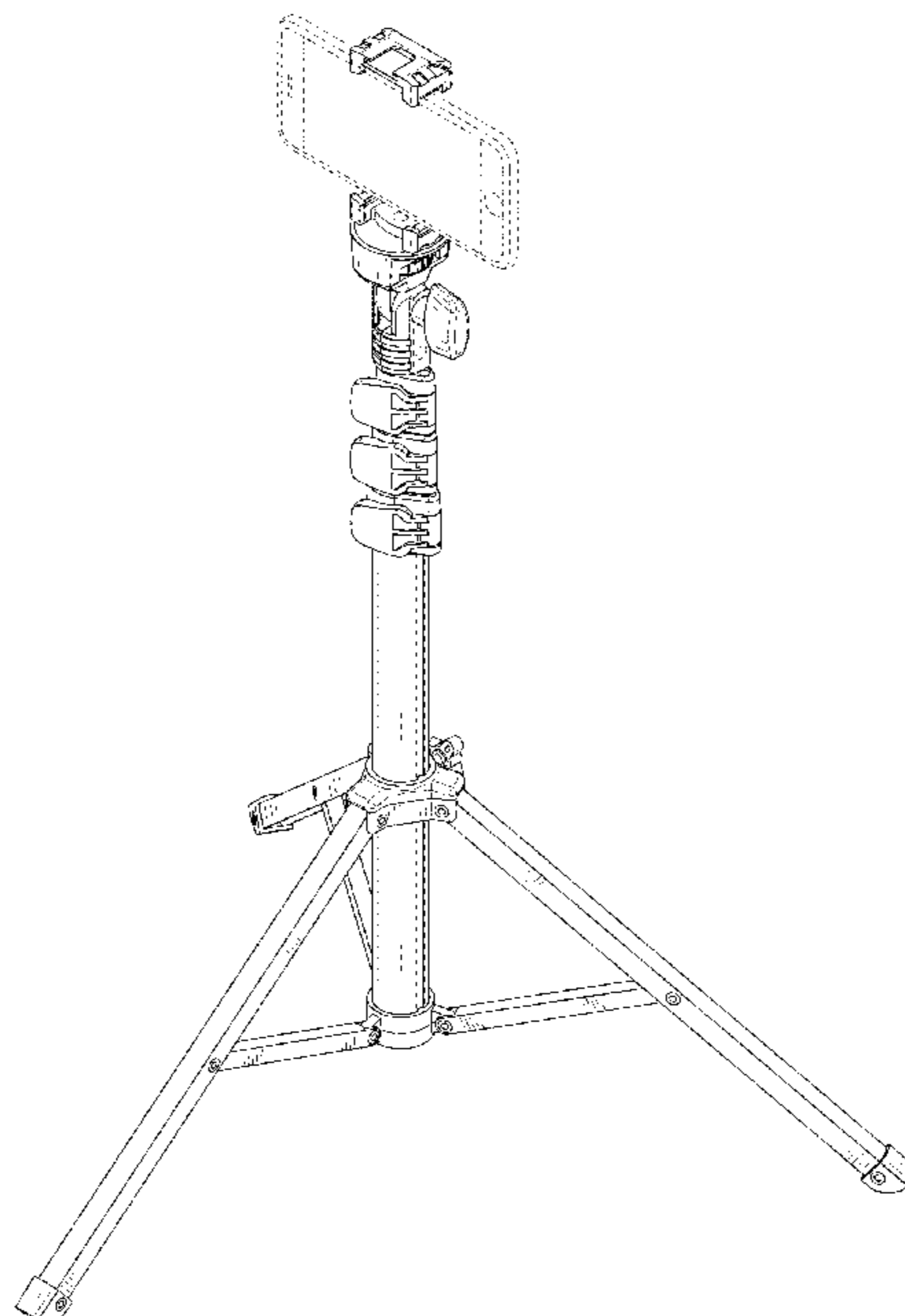
(57) **CLAIM**

The ornamental design for a tripod for phone, as shown and described.

DESCRIPTION

FIG. 1 is a perspective view of a tripod for phone showing my new design;
FIG. 2 is another perspective view thereof;
FIG. 3 is a front elevational view thereof;
FIG. 4 is a rear elevational view thereof;
FIG. 5 is a left side elevational view thereof;
FIG. 6 is a right side elevational view thereof;
FIG. 7 is a top plan view thereof;
FIG. 8 is a bottom plan view thereof;
FIG. 9 is a perspective view of the tripod for phone where the tripod for phone is in a configuration of use;
FIG. 10 is an enlarged view of portion 10 shown in FIG. 1;
FIG. 11 is an enlarged view of portion 11 shown in FIG. 1;
FIG. 12 is an enlarged view of portion 12 shown in FIG. 2; and,
FIG. 13 is an enlarged view of portion 13 shown in FIG. 2.
The broken lines in the drawings depict environmental structure and portions of the tripod for phone that form no part of the claimed design.

1 Claim, 13 Drawing Sheets



(56)

References Cited

U.S. PATENT DOCUMENTS

D720,384 S * 12/2014 Holmen D16/244
D821,483 S * 6/2018 Vitale D16/244
10,139,039 B1 11/2018 Reed
D864,282 S * 10/2019 Liu D16/244
D881,980 S * 4/2020 Zhu D16/237
D888,814 S * 6/2020 Chen D16/244
2005/0194503 A1 * 9/2005 Lee F16M 11/28
248/188.5
2015/0076296 A1 * 3/2015 Yang F16M 11/26
248/163.2
2015/0338017 A1 * 11/2015 De Faveri F16M 11/16
396/428
2018/0106418 A1 4/2018 Anglin

OTHER PUBLICATIONS

Portable Lightweight Smartphone Holder Tripod. [online] Retrieved
Jul. 16, 2020 from URL: [https://home-essentials-co.com/collections/
best-sellers/products/projector-stand](https://home-essentials-co.com/collections/best-sellers/products/projector-stand).*

* cited by examiner

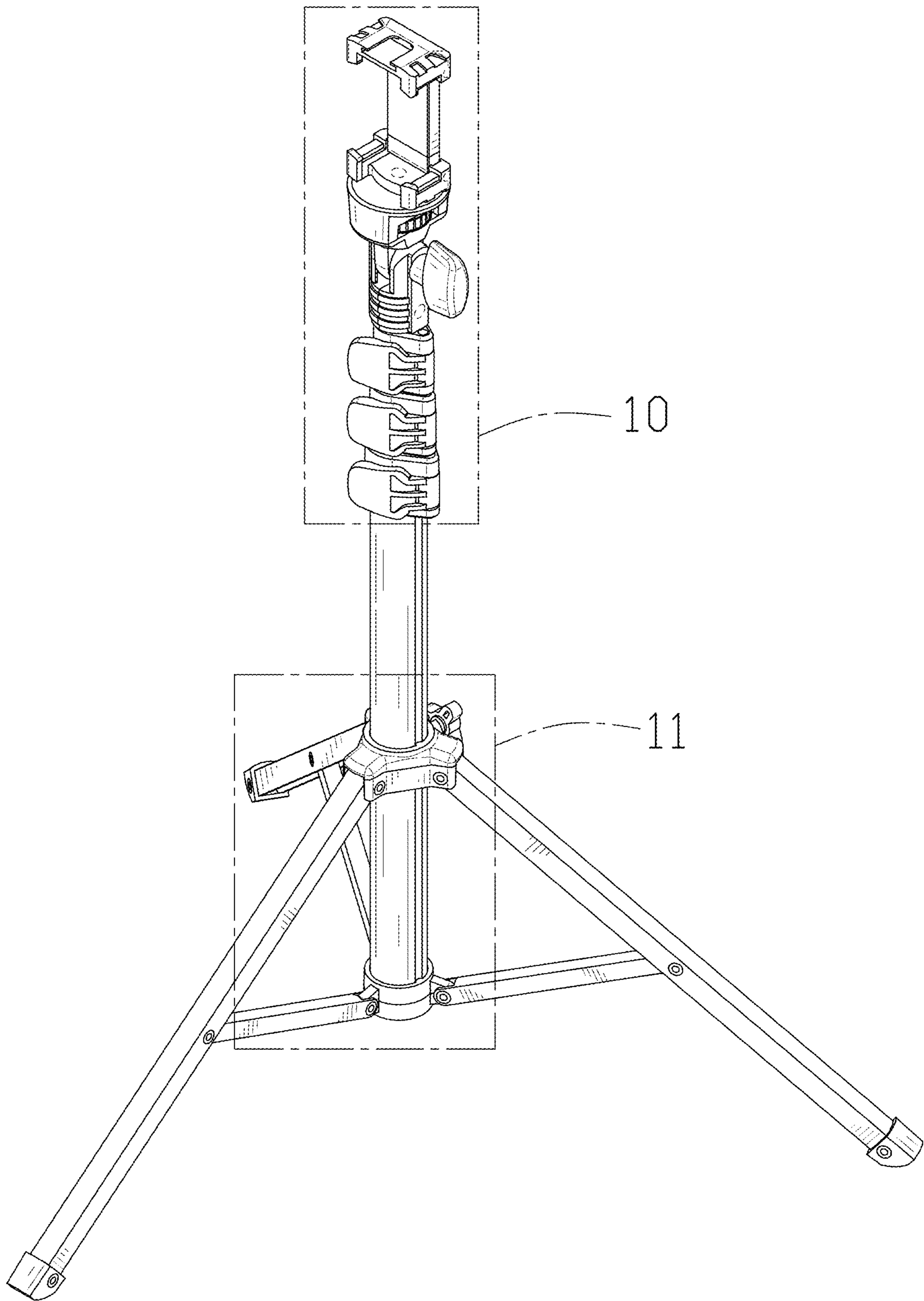


FIG. 1

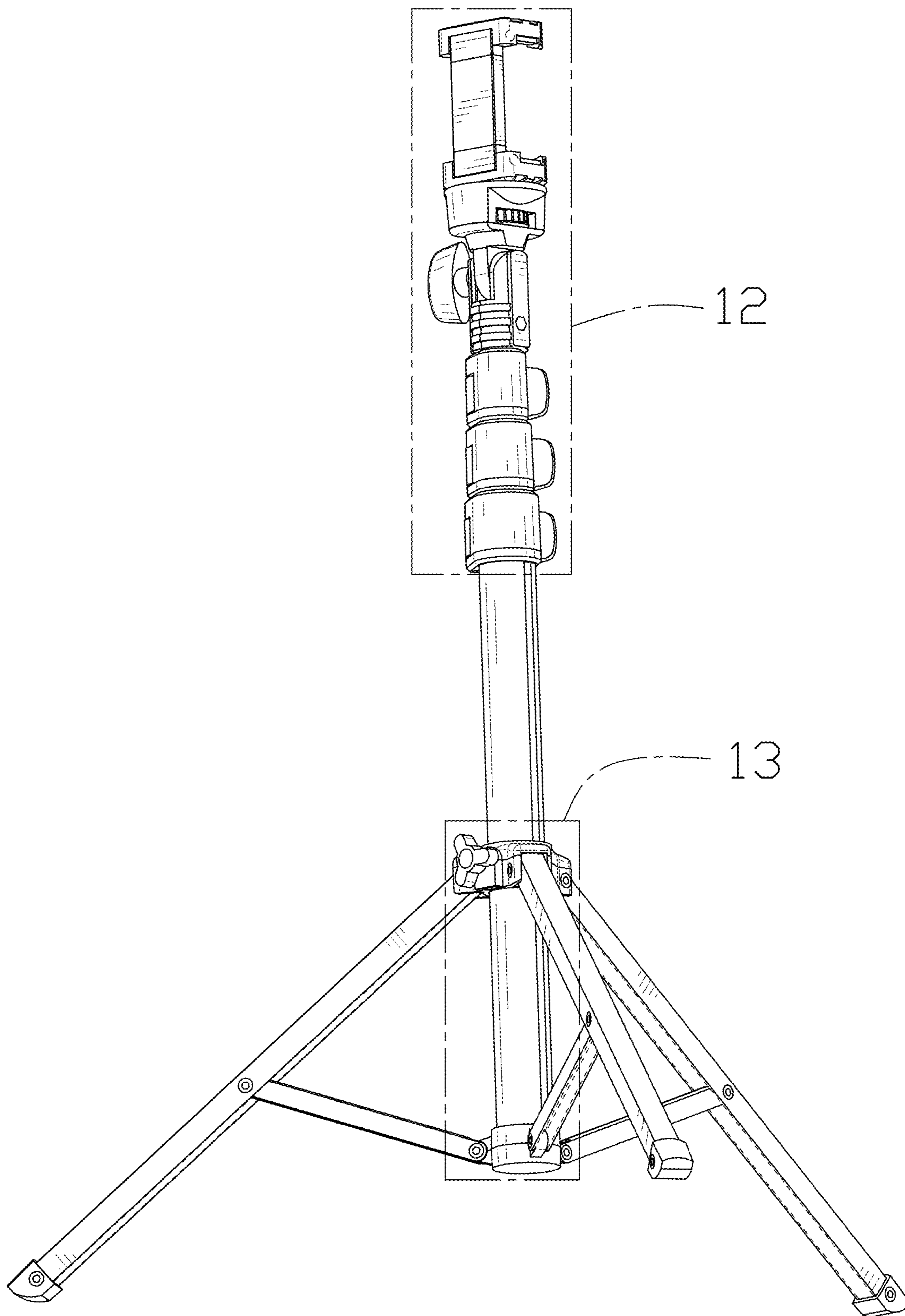


FIG. 2

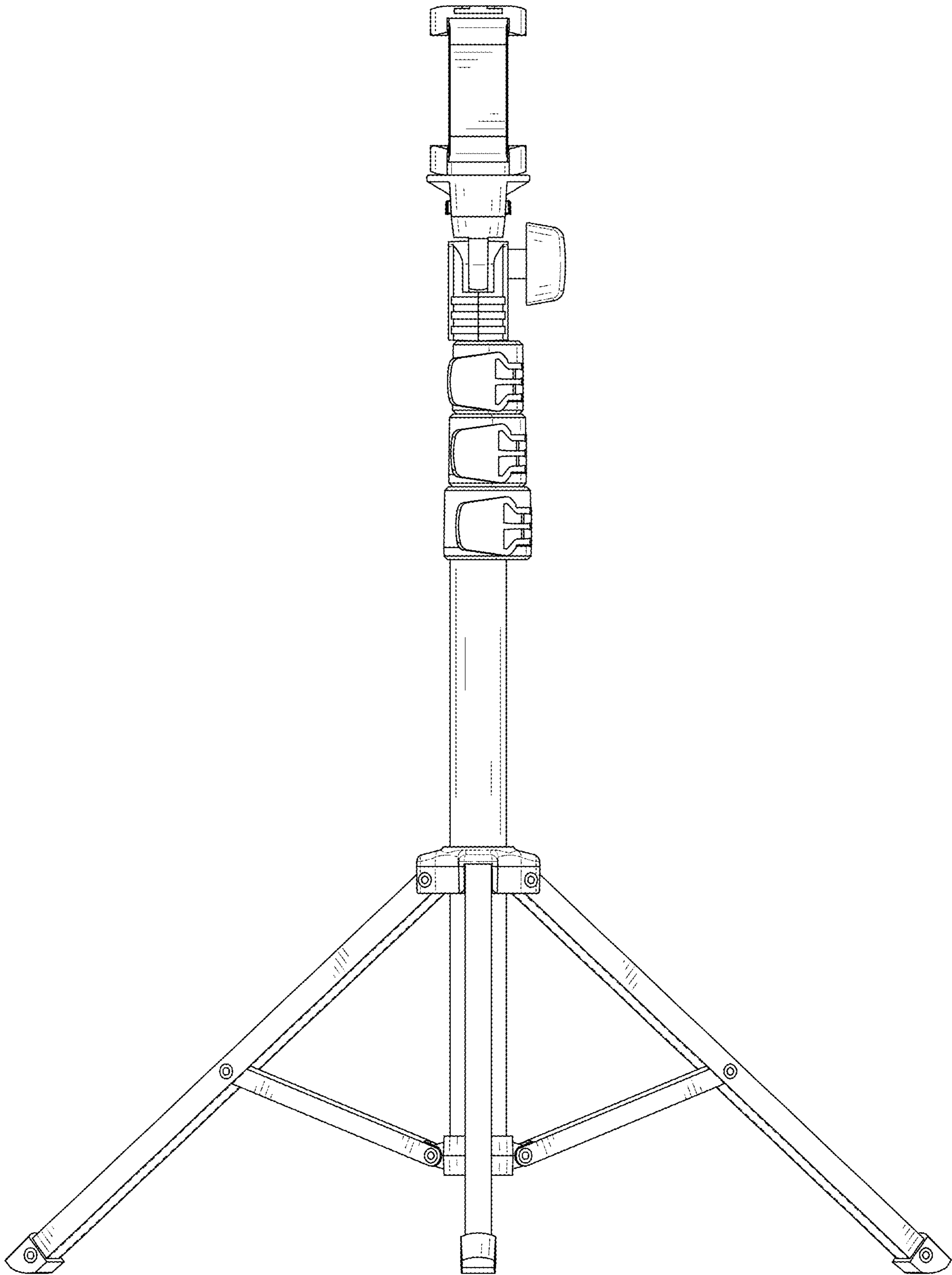


FIG. 3

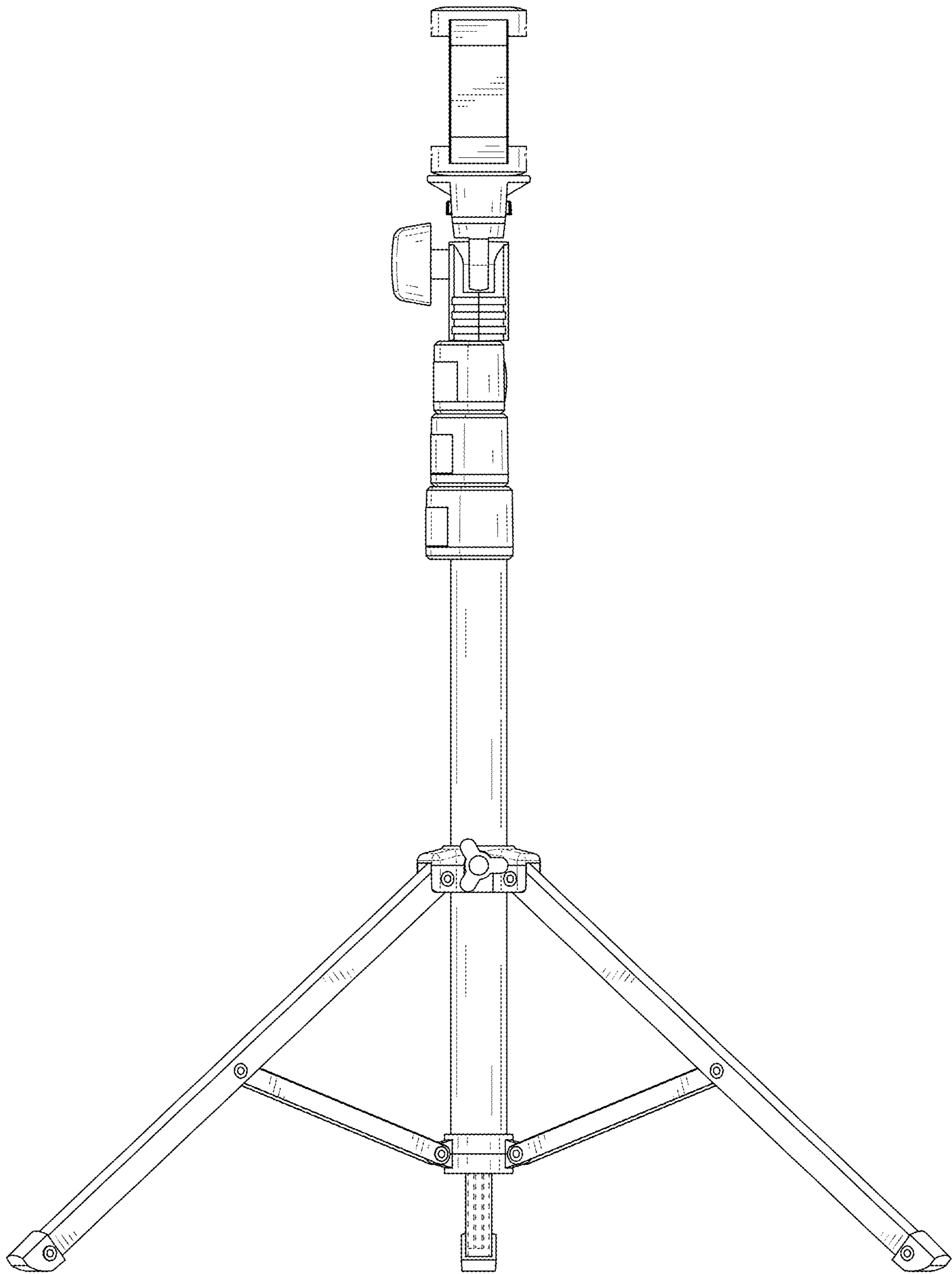


FIG. 4

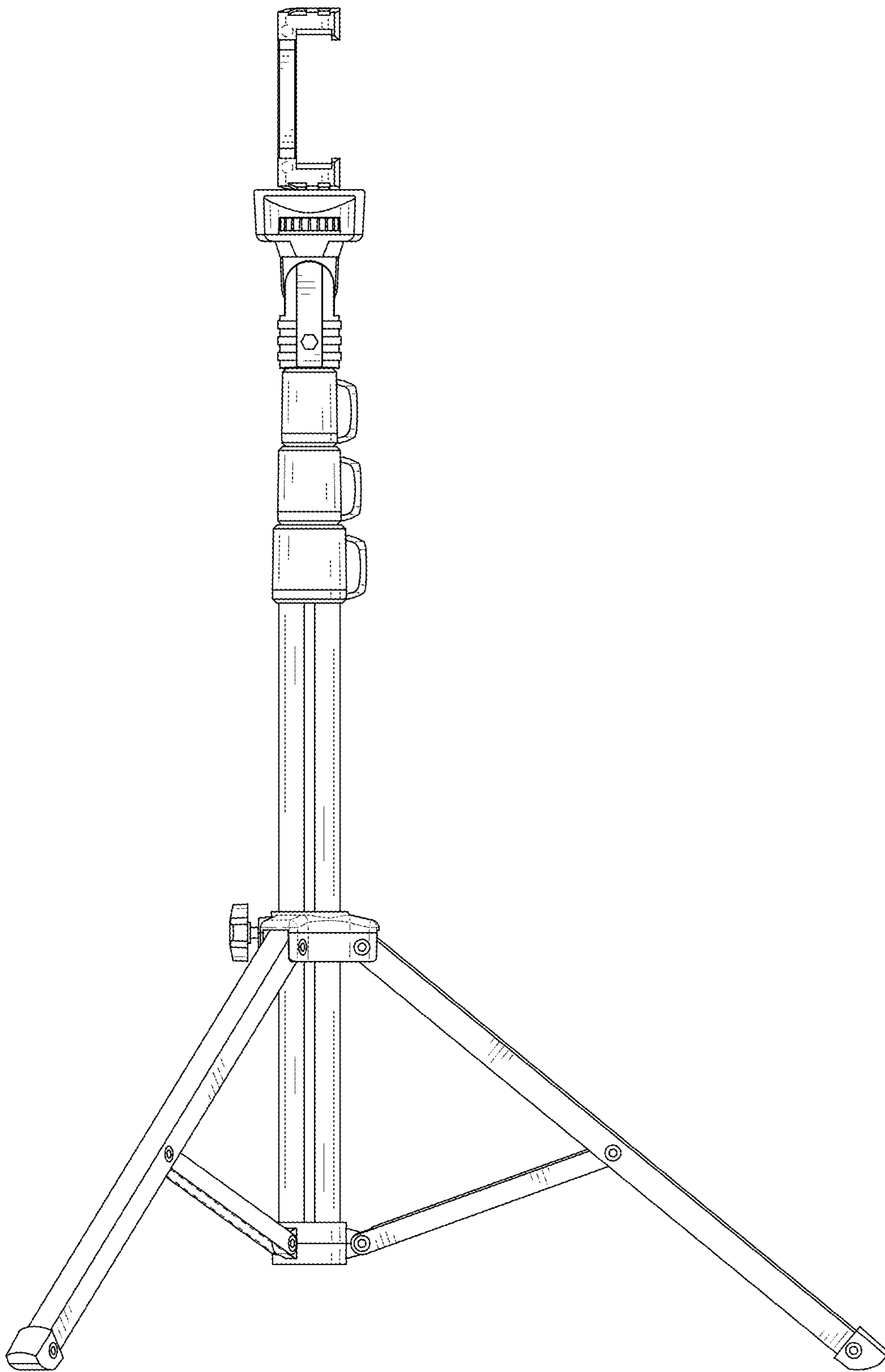


FIG. 5

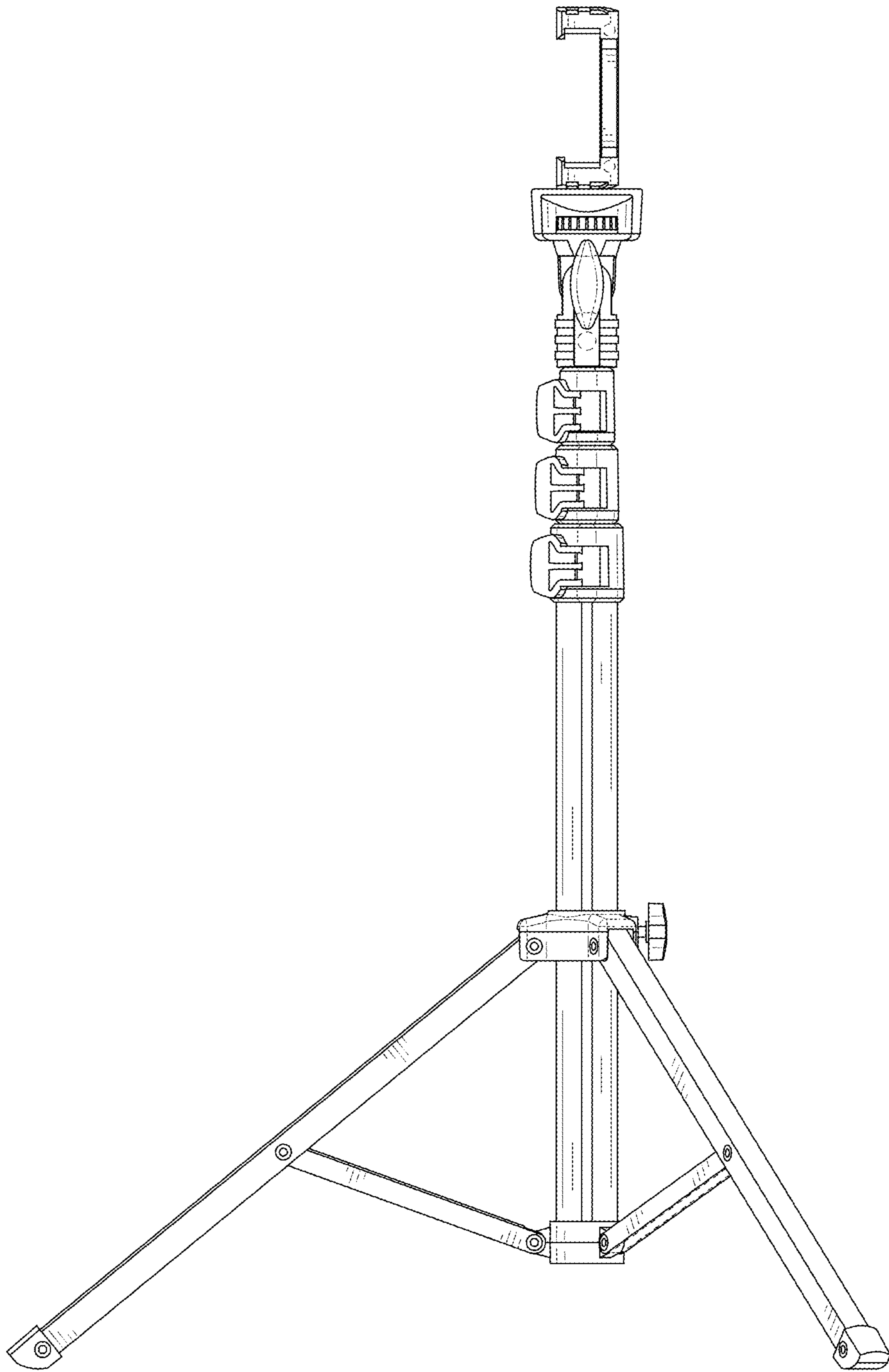


FIG. 6

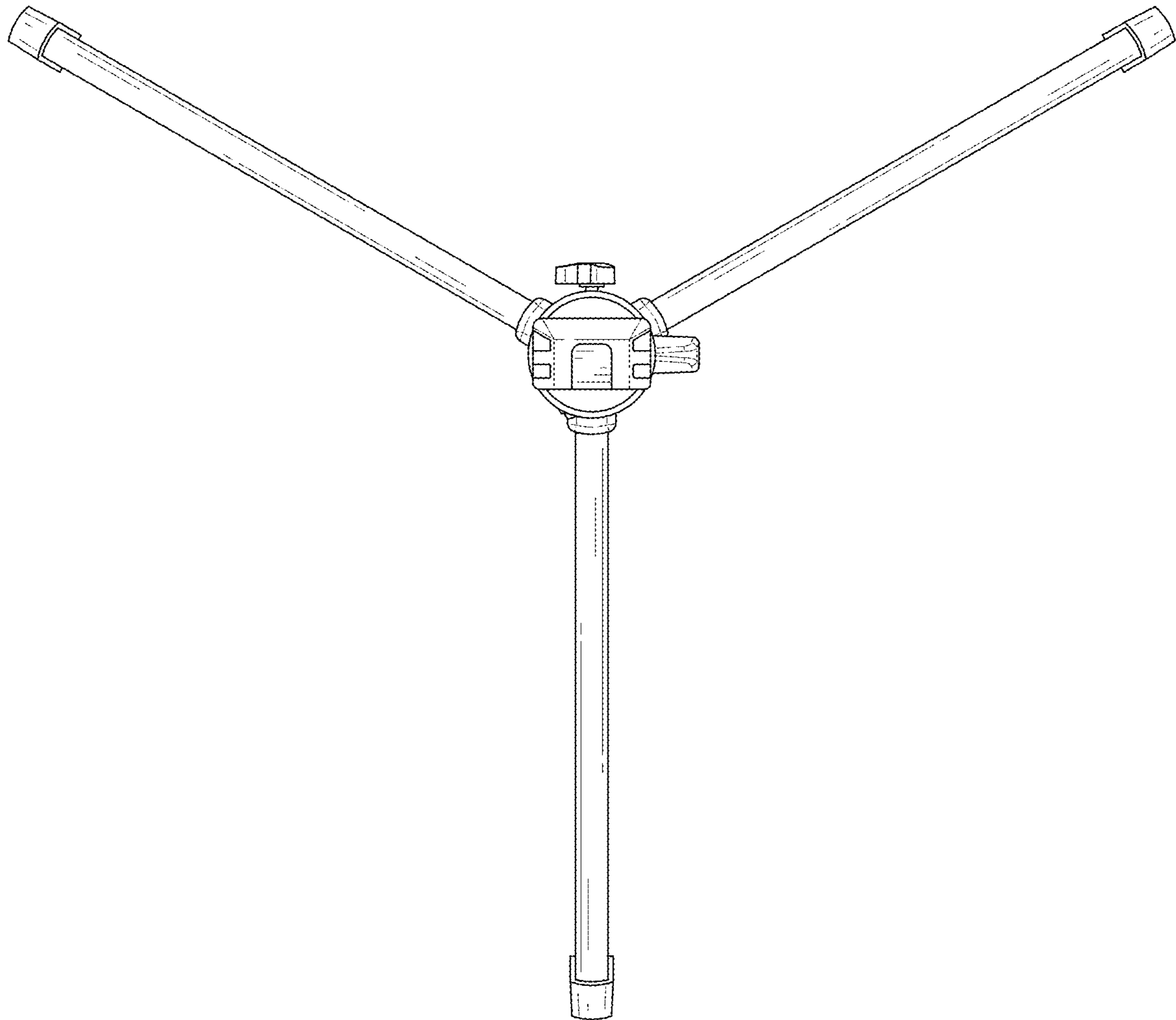


FIG. 7

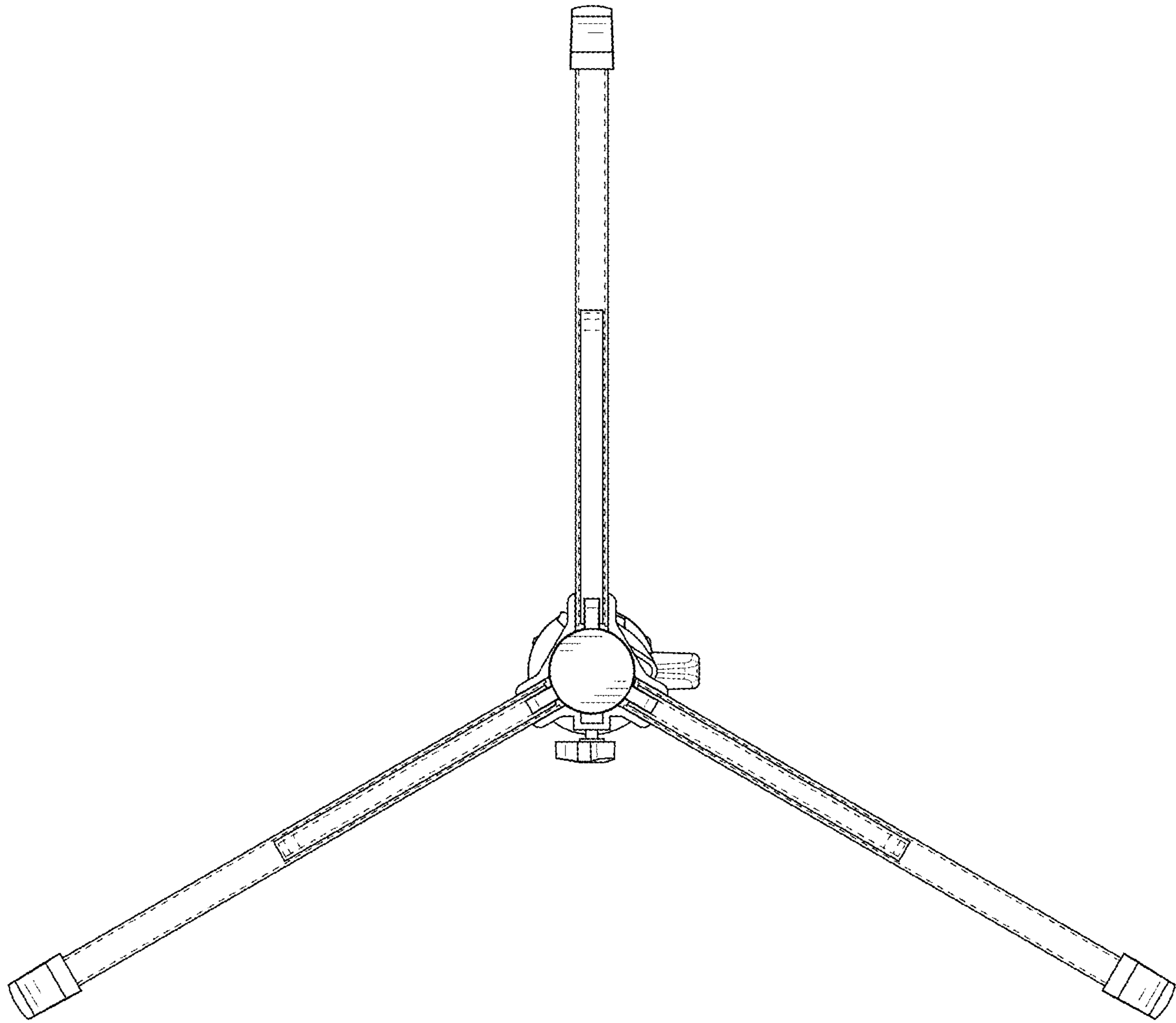


FIG. 8

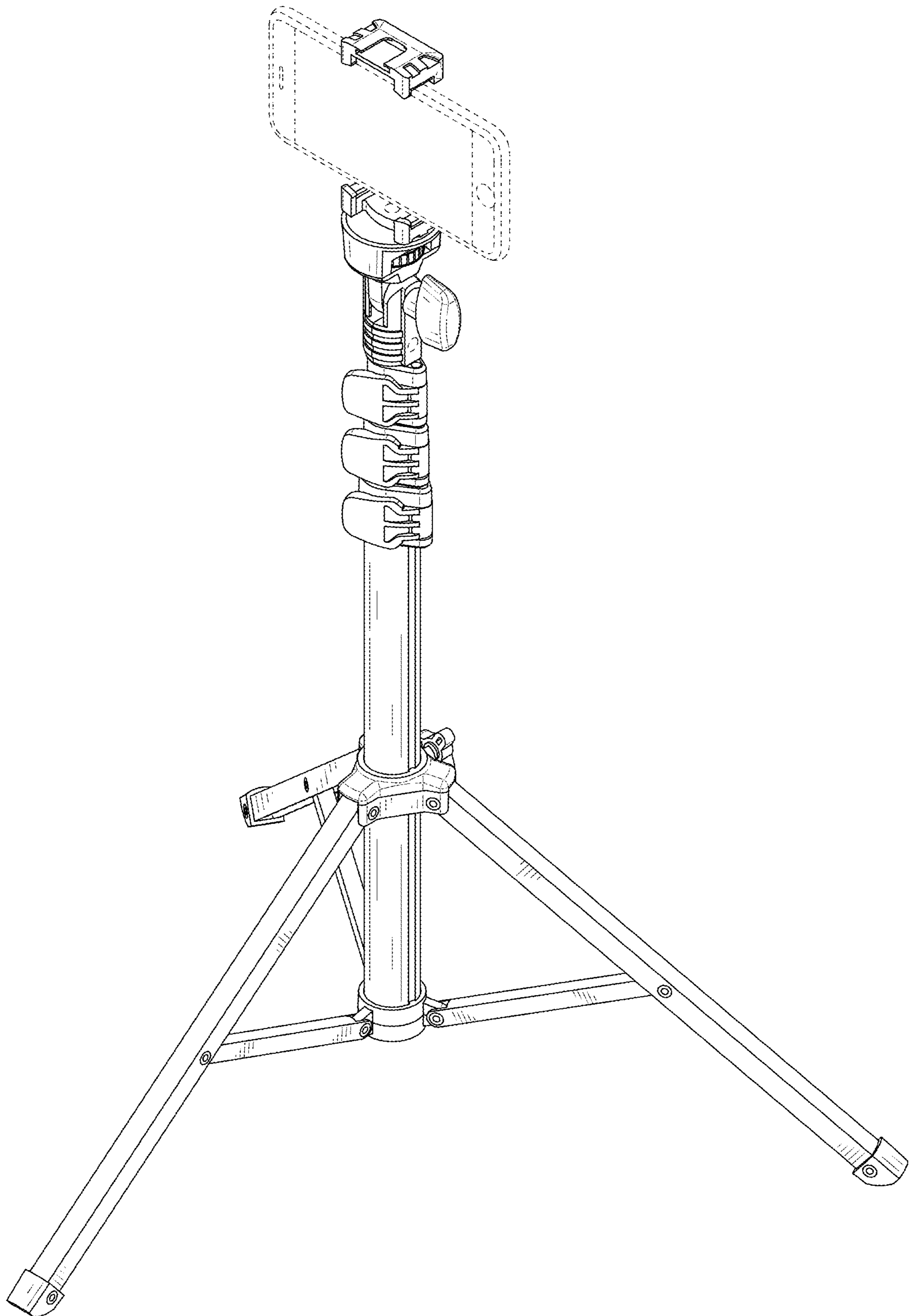


FIG. 9

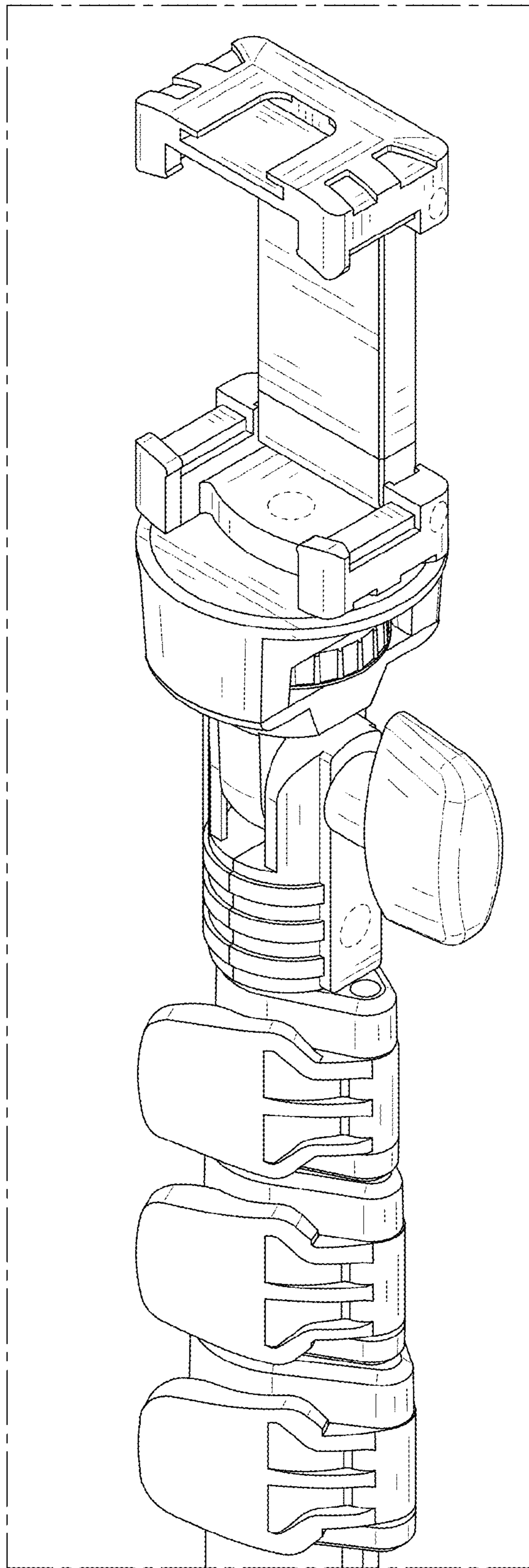


FIG. 10

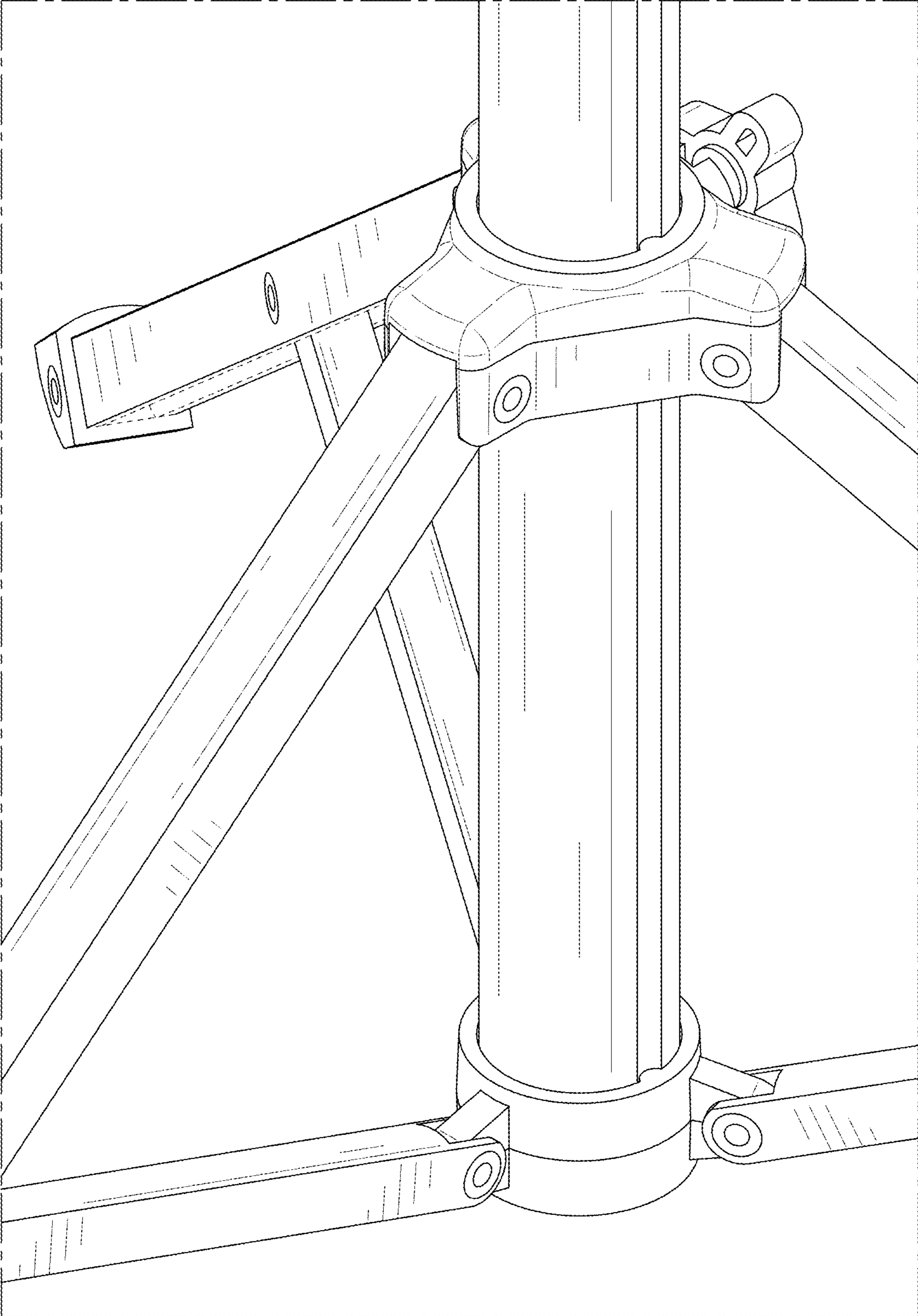


FIG. 11

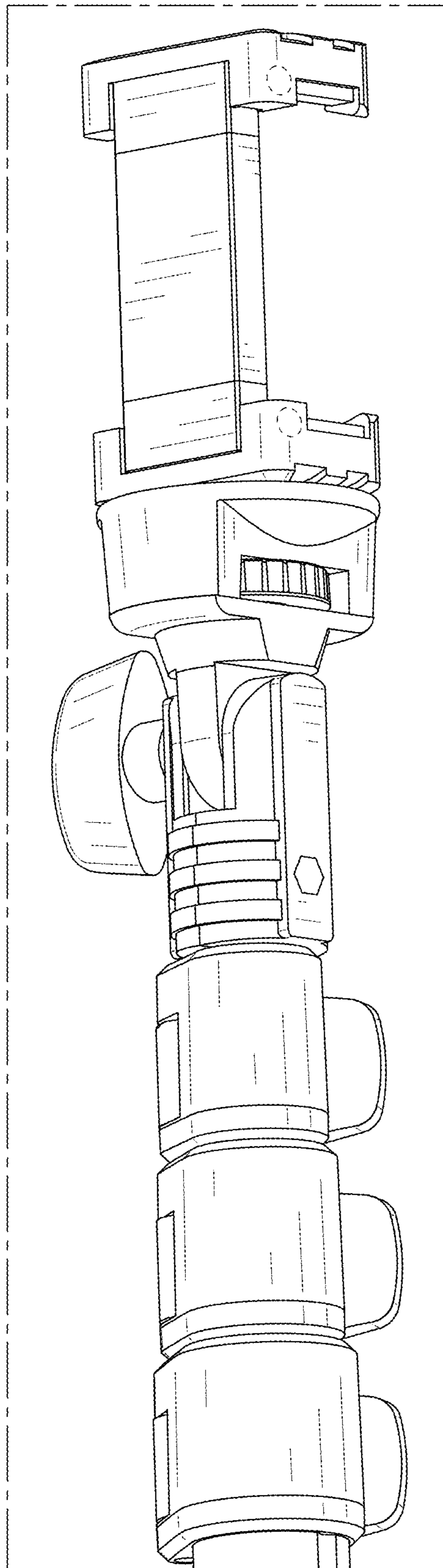


FIG. 12

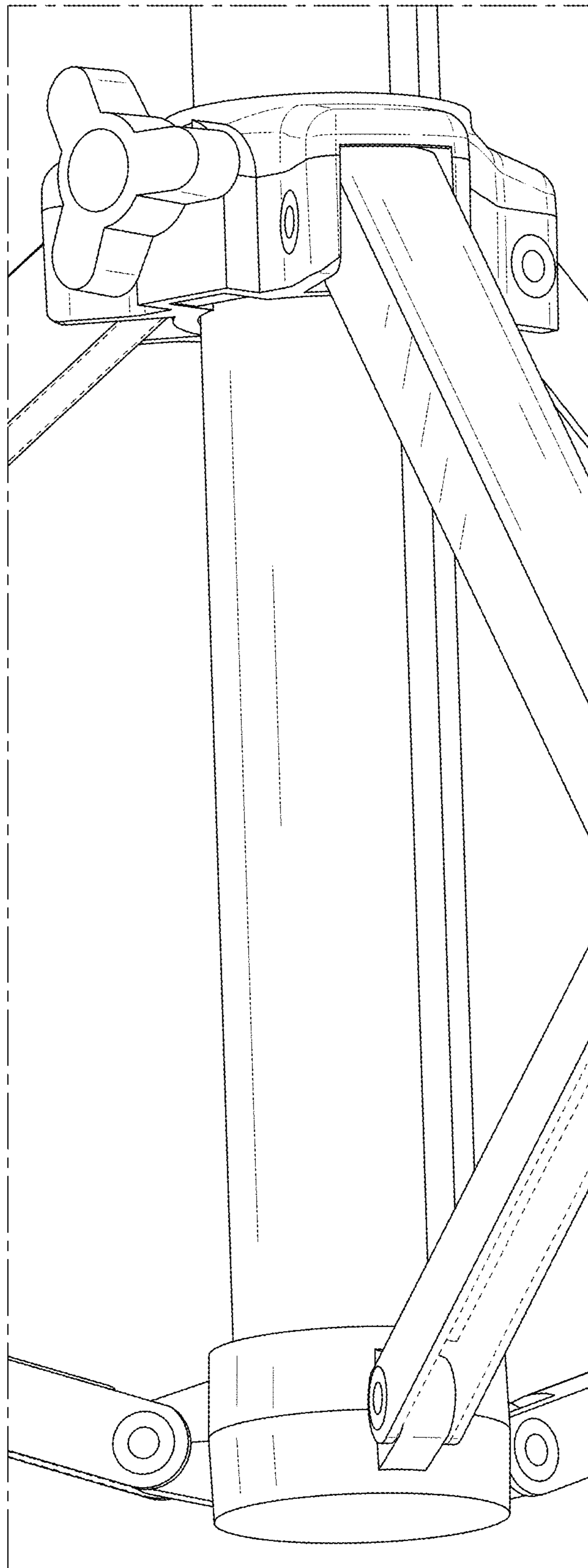


FIG. 13