



US00D895715S

(12) **United States Design Patent** (10) **Patent No.:** **US D895,715 S**
Imamizu (45) **Date of Patent:** **** Sep. 8, 2020**

(54) **BATTERY PACK FOR A CAMERA**

D842,359 S * 3/2019 Imai D16/237
D845,377 S * 4/2019 Masano D16/242
2005/0281554 A1* 12/2005 Iwasa G03B 17/56
396/539

(71) Applicant: **Nikon Corporation**, Tokyo (JP)

(72) Inventor: **Makoto Imamizu**, Yokohama (JP)

(73) Assignee: **Nikon Corporation**, Tokyo (JP)

(**) Term: **15 Years**

(21) Appl. No.: **29/680,158**

(22) Filed: **Feb. 14, 2019**

(30) **Foreign Application Priority Data**

Aug. 17, 2018 (JP) 2018-017975

(51) **LOC (12) Cl.** **16-05**

(52) **U.S. Cl.**
USPC **D16/237; D13/103**

(58) **Field of Classification Search**
USPC D16/237–250; D8/354, 355, 363, 373,
D8/382, 383, 394, 396; D14/224, 229,
D14/238, 251, 253; D13/103
CPC G03B 17/56; G03B 17/561–566; F16M
11/14
See application file for complete search history.

(56) **References Cited**

U.S. PATENT DOCUMENTS

D246,372 S * 11/1977 Yoshino D16/243
5,325,143 A * 6/1994 Kawano G03B 17/02
396/420
D427,223 S * 6/2000 Shimamura D16/242
D456,348 S * 4/2002 Funakoshi D13/103
D481,007 S 10/2003 Takahashi
D496,332 S * 9/2004 Naito D13/103
D503,185 S * 3/2005 Haga D16/242
D677,309 S * 3/2013 Asano D16/243
D710,426 S * 8/2014 Sato D16/243
D745,080 S * 12/2015 Masano D16/237

FOREIGN PATENT DOCUMENTS

JP D1096694 S 1/2001
JP D1533328 S 9/2015

OTHER PUBLICATIONS

Nikon Battery Pack. [online] Published on Oct. 9, 2019. Retrieved Apr. 8, 2020 from URL: <https://www.youtube.com/watch?v=udPfiqWs784>.*

* cited by examiner

Primary Examiner — Vy N Koenig
(74) *Attorney, Agent, or Firm* — Wolf, Greenfield & Sacks, P.C.

(57) **CLAIM**

The ornamental design for a battery pack for a camera, as shown and described.

DESCRIPTION

FIG. 1 is a front, top and right side perspective view of a battery pack for a camera showing my new design;
FIG. 2 is a rear, bottom and left side perspective view thereof;
FIG. 3 is a front view thereof;
FIG. 4 is a rear view thereof;
FIG. 5 is a top plan view thereof;
FIG. 6 is a bottom plan view thereof;
FIG. 7 is a right side view thereof; and,
FIG. 8 is a left side view thereof.

The broken lines illustrate portions of the battery pack for a camera that form no part of the claimed design. The dash-dotted lines denote the boundary of the claim and form no part of the claimed design.

1 Claim, 8 Drawing Sheets

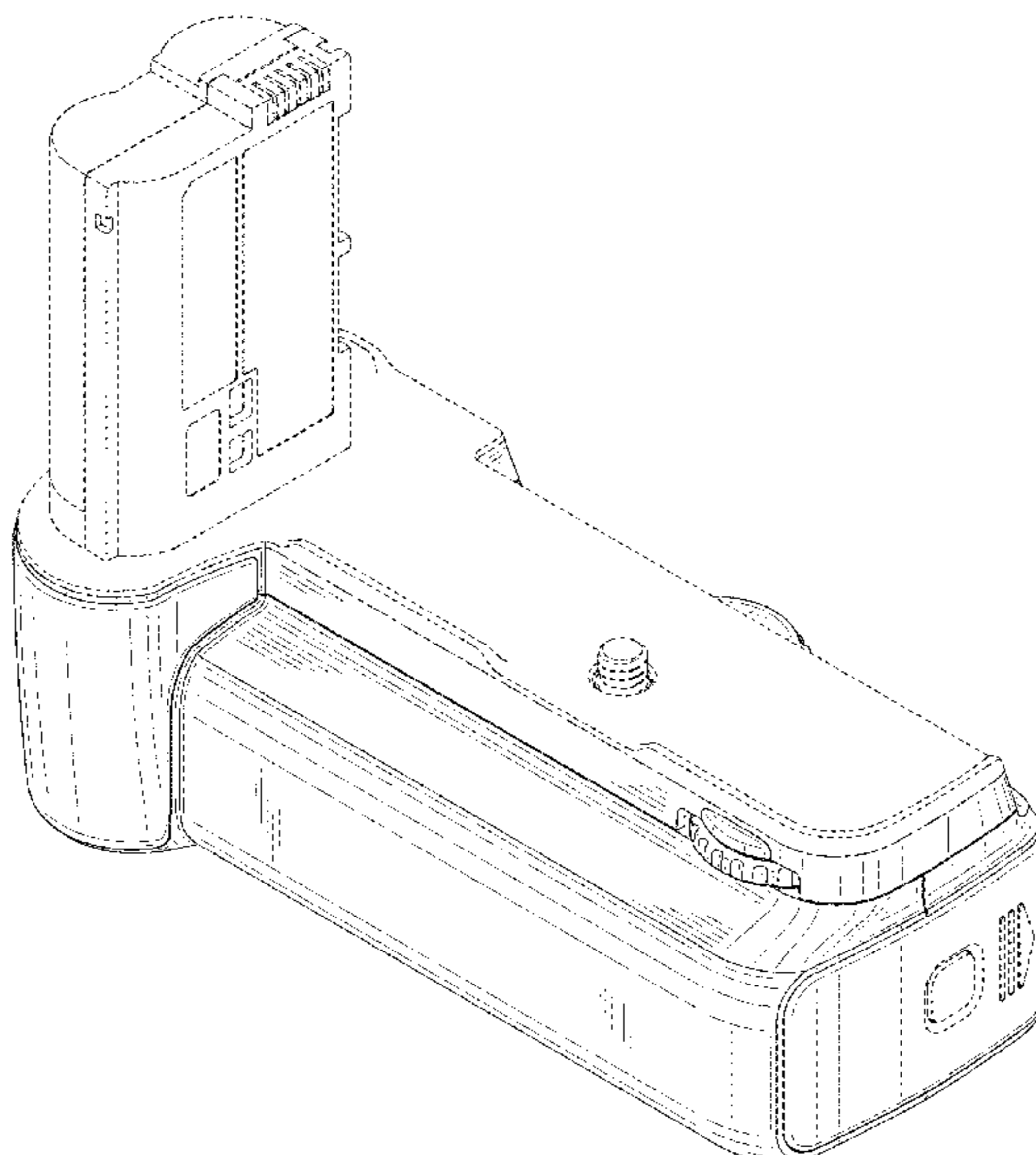


FIG.1

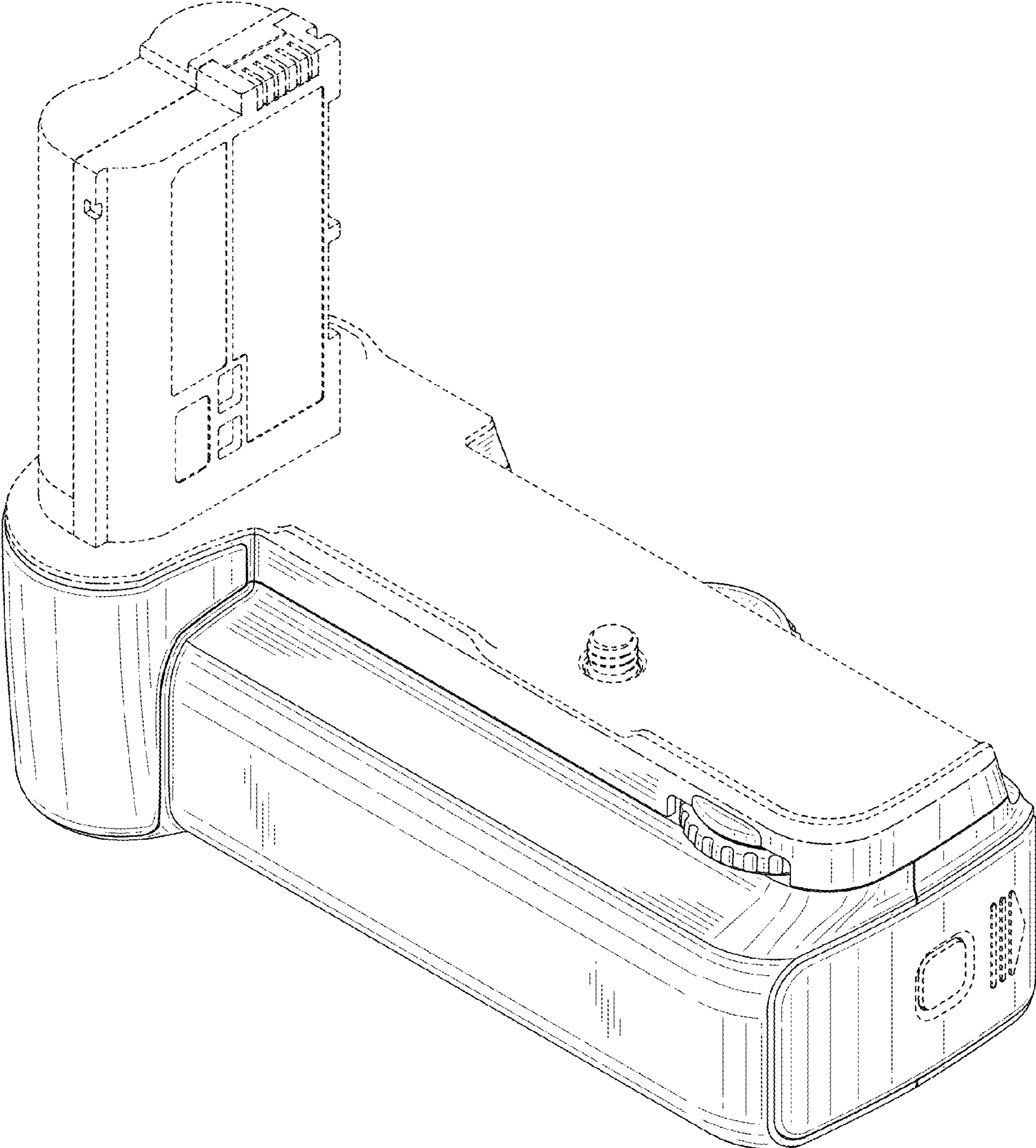
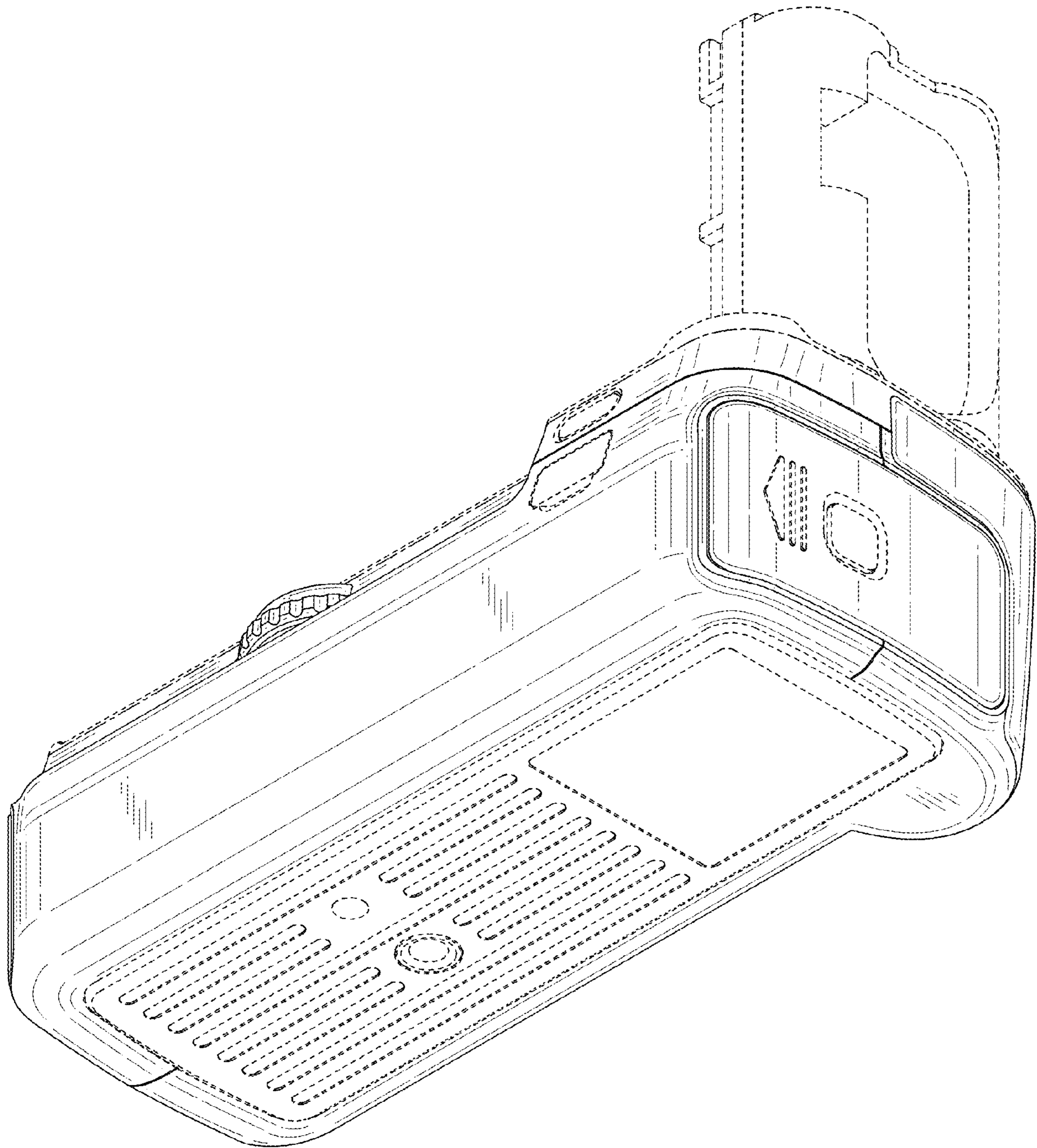


FIG.2



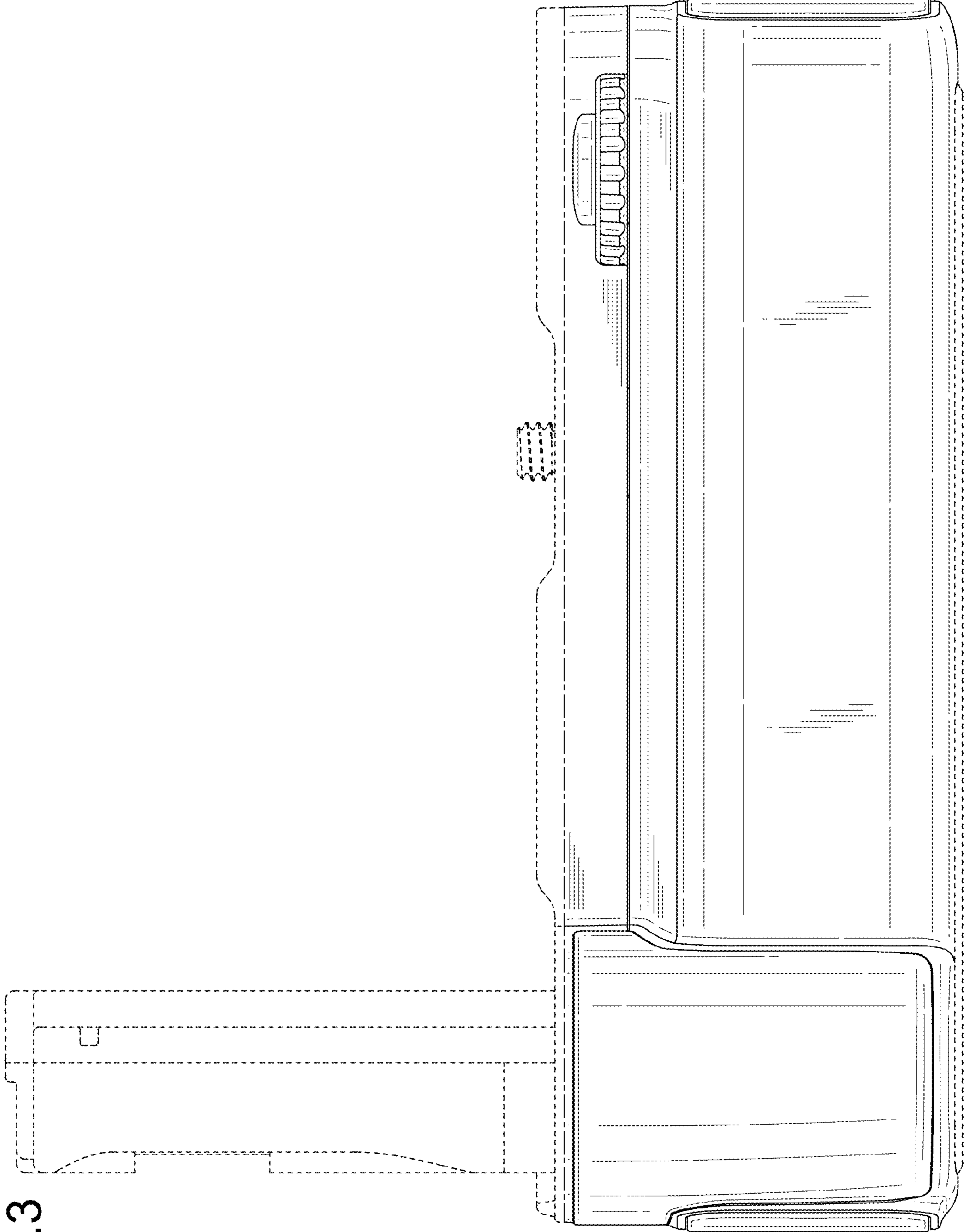


FIG.3

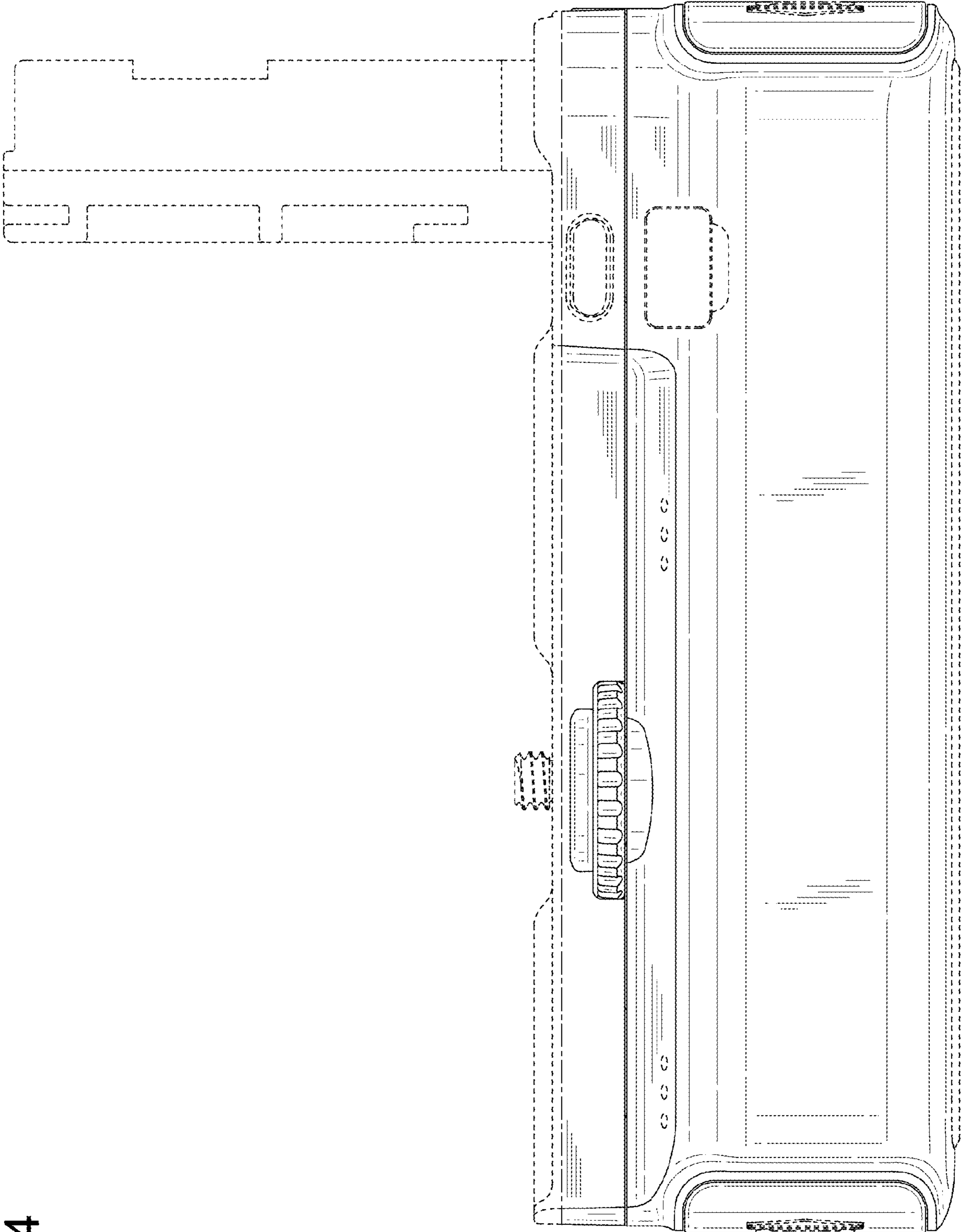
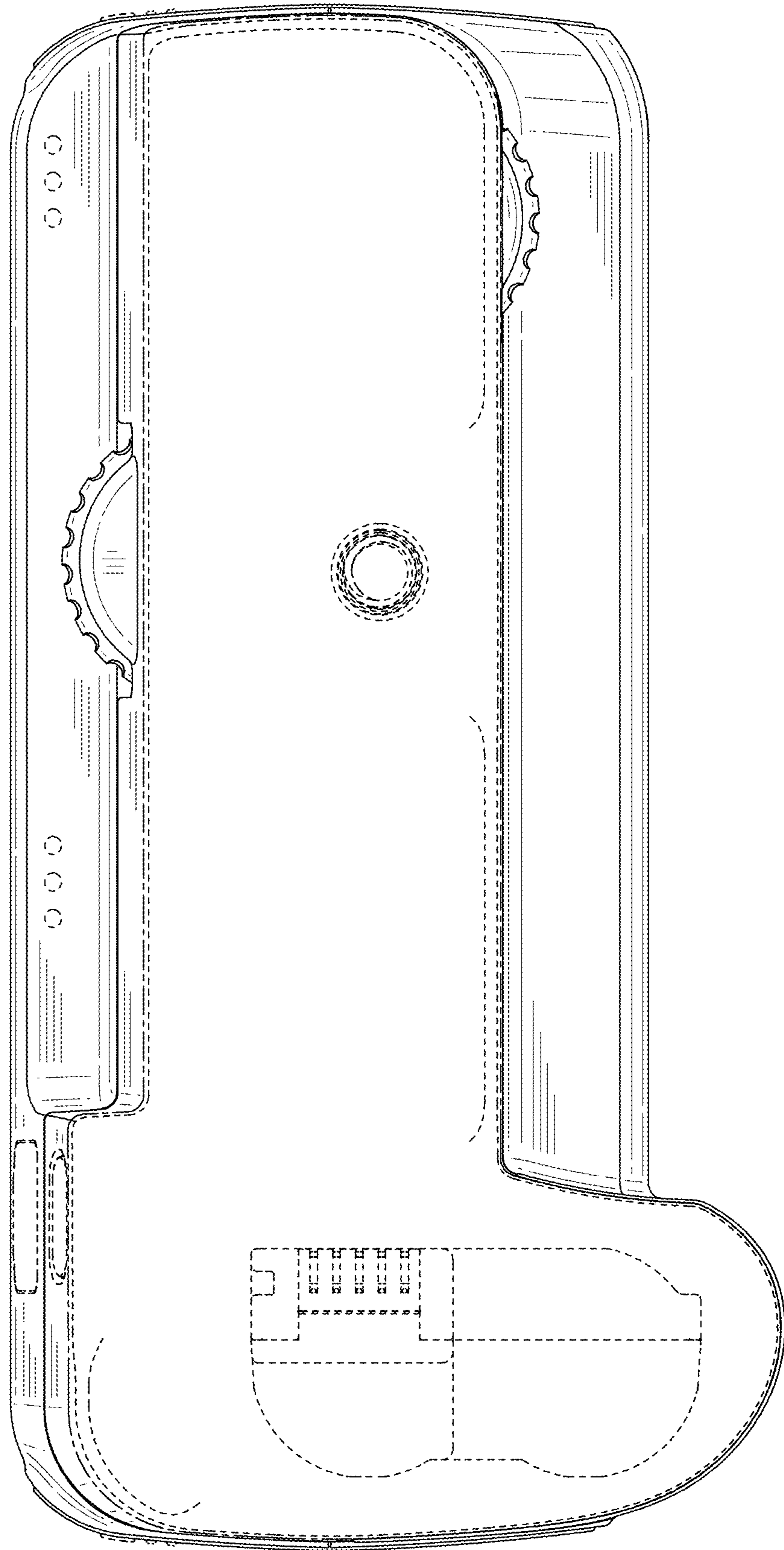


FIG.4

FIG.5



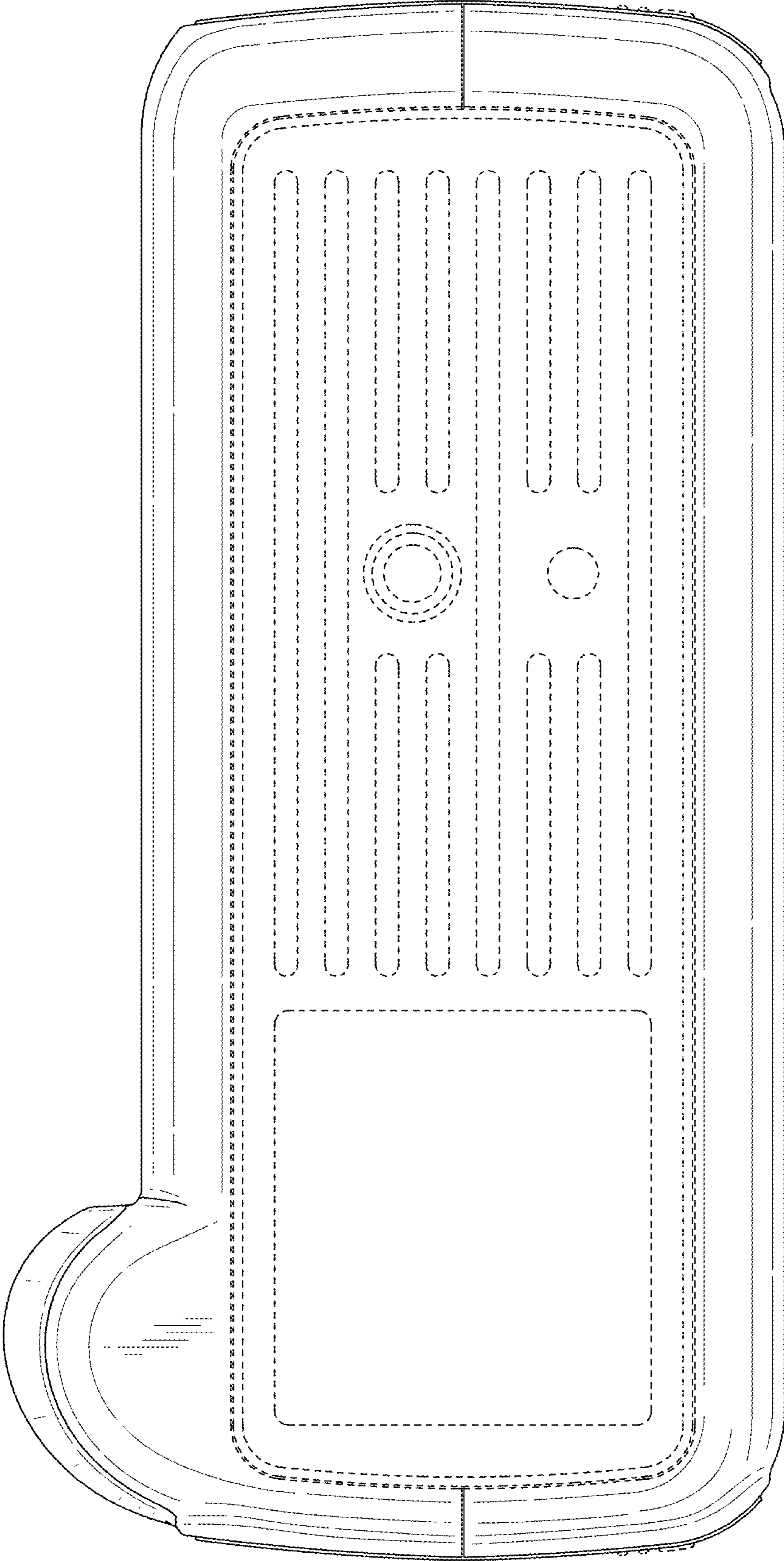


FIG.6

FIG.7

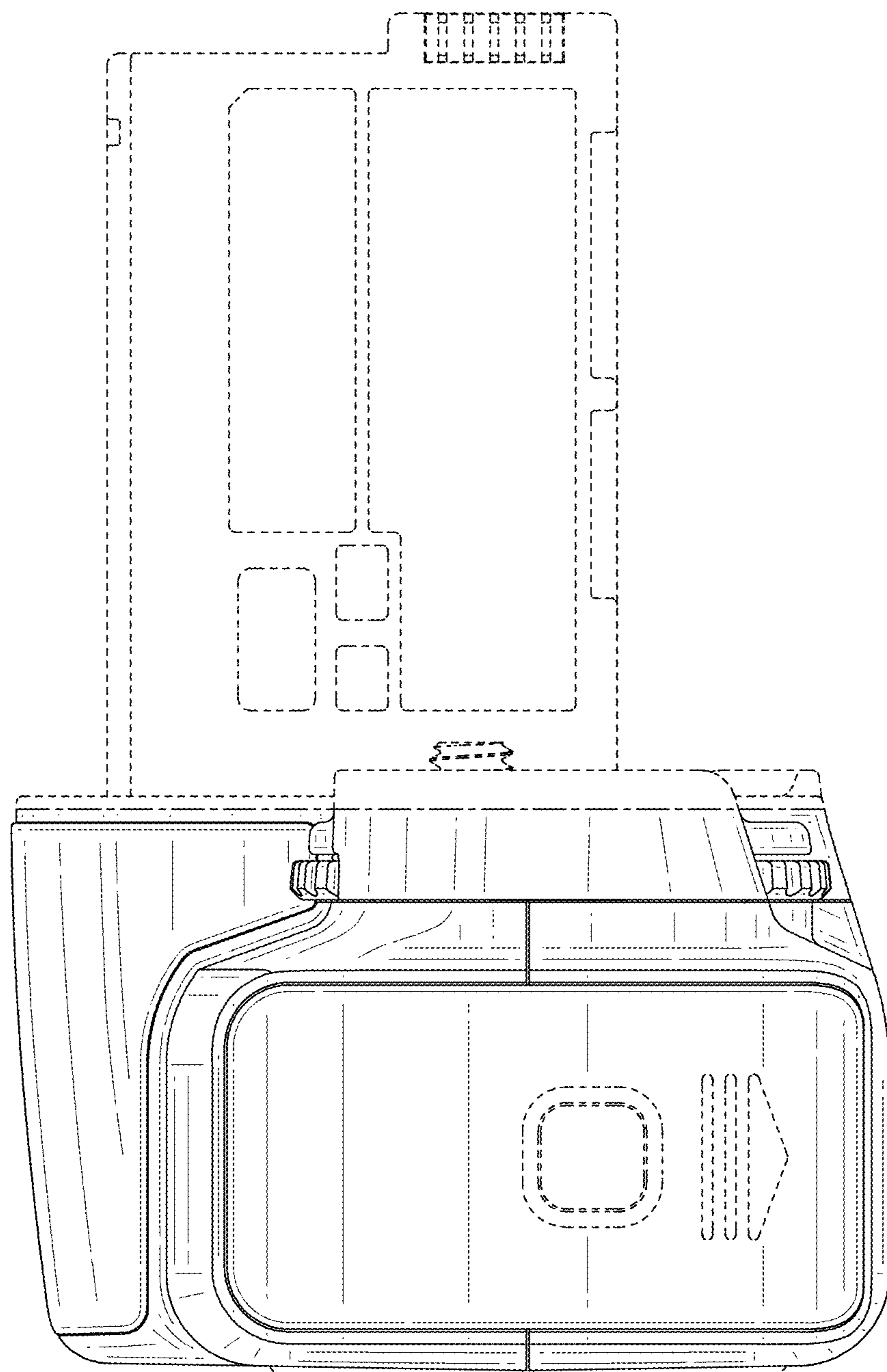


FIG.8

