



US00D895714S

(12) **United States Design Patent**  
**Long**

(10) **Patent No.:** **US D895,714 S**

(45) **Date of Patent:** **\*\* Sep. 8, 2020**

(54) **PROJECTOR**

(71) Applicant: **Dongguan Miweishi Digital Technology Co., Ltd.**, Dongguan (CN)

(72) Inventor: **Changmei Long**, Shenzhen (CN)

(73) Assignee: **DONGGUAN MIWEISHI DIGITAL TECHNOLOGY CO., LTD.**, Dongguan (CN)

(\*\*) Term: **15 Years**

(21) Appl. No.: **29/685,011**

(22) Filed: **Mar. 26, 2019**

(30) **Foreign Application Priority Data**

Dec. 14, 2018 (CN) ..... 2018 3 0725641

(51) **LOC (12) Cl.** ..... **16-02**

(52) **U.S. Cl.**  
USPC ..... **D16/235**; D16/230

(58) **Field of Classification Search**  
USPC ..... D16/221, 225, 230-231, 234; D21/514;  
353/115, 119, 122

CPC .... G03B 21/145; G03B 21/14; G03B 21/001;  
G03B 21/003; G03B 21/12; G03B 21/00;  
G03B 21/16

See application file for complete search history.

(56) **References Cited**

**U.S. PATENT DOCUMENTS**

D502,486 S \* 3/2005 Kawasaki ..... D16/230  
D517,588 S \* 3/2006 Yamada ..... D16/225

D545,862 S \* 7/2007 Kawasaki ..... D16/221  
D555,184 S \* 11/2007 Rodriguez, Jr. .... D16/225  
D755,276 S \* 5/2016 Lee ..... D16/230  
D879,183 S \* 3/2020 Li ..... D16/230

**FOREIGN PATENT DOCUMENTS**

CN 300970386 \* 6/2008

\* cited by examiner

*Primary Examiner* — Wan Laymon

(57) **CLAIM**

The ornamental design for a projector, as shown and described.

**DESCRIPTION**

FIG. 1 is a perspective view of a projector showing my new design;

FIG. 2 is another perspective view thereof;

FIG. 3 is a front elevational view thereof;

FIG. 4 is a rear elevational view thereof;

FIG. 5 is a left side elevational view thereof;

FIG. 6 is a right side elevational view thereof;

FIG. 7 is a top plan view thereof;

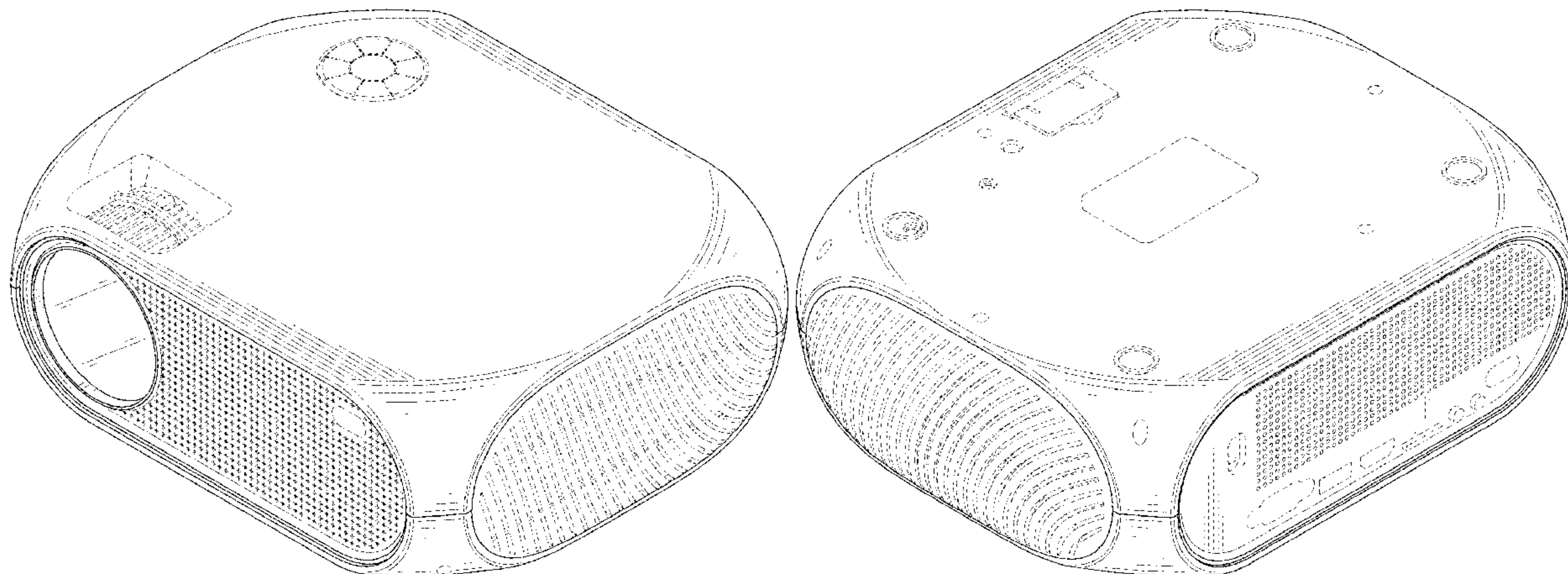
FIG. 8 is a bottom plan view thereof;

FIG. 9 is an enlarged view of the encircled portion 9 of FIG. 3; and,

FIG. 10 is an enlarged view of the encircled portion 10 of FIG. 4.

The broken lines in the drawings are for the purpose of illustrating portions of the projector that form no part of the claimed design.

**1 Claim, 10 Drawing Sheets**



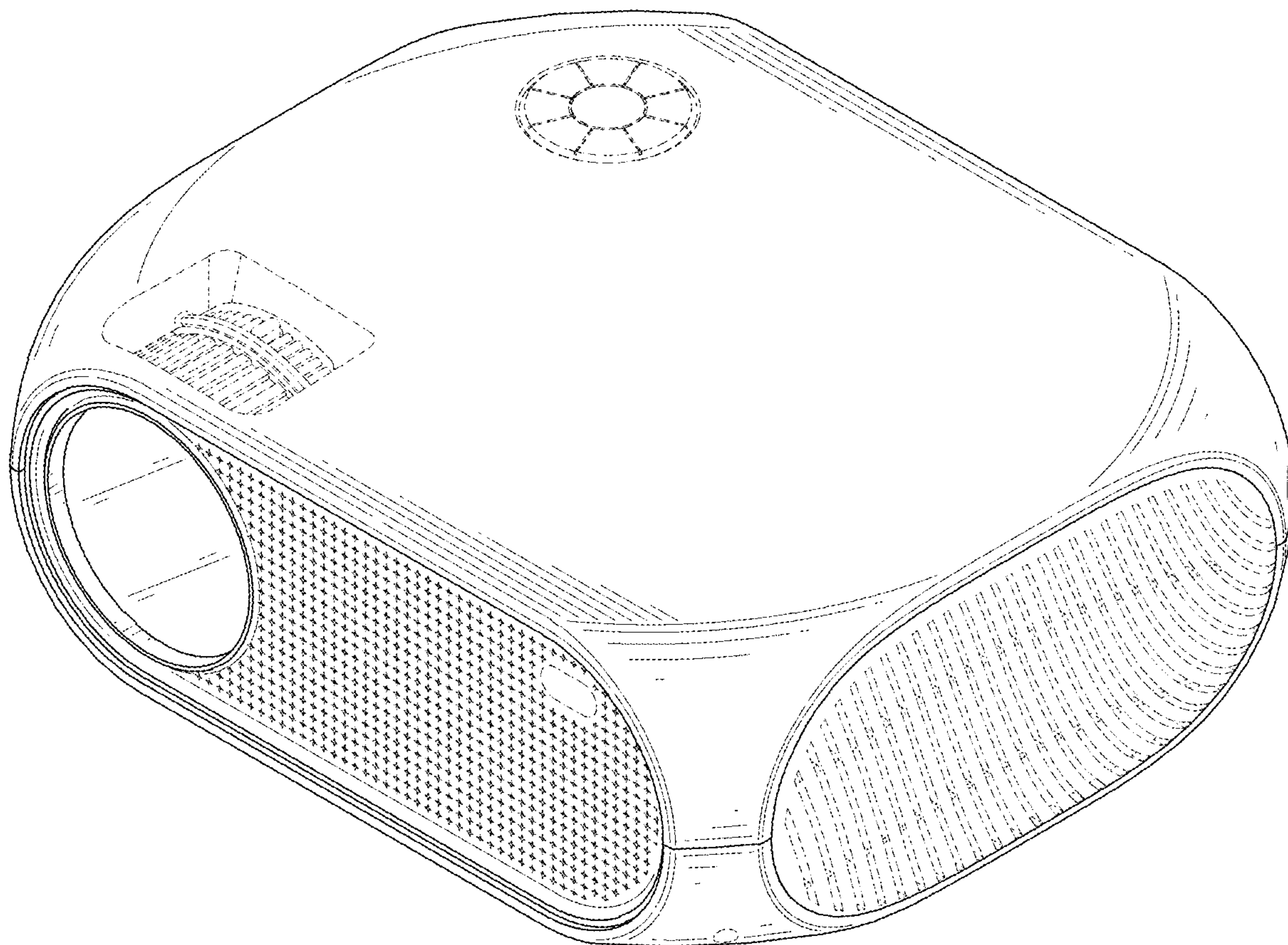


FIG. 1



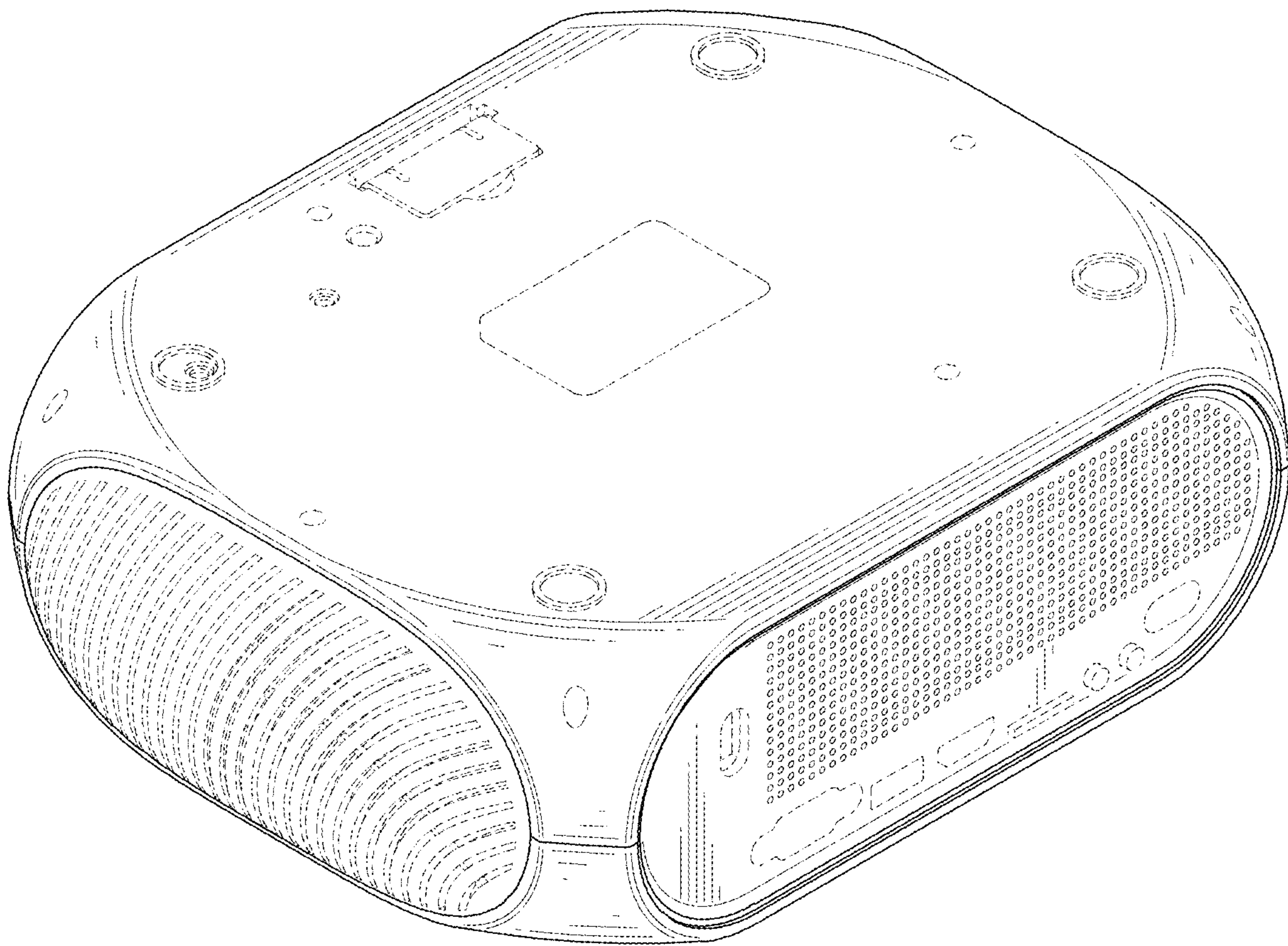


FIG. 2

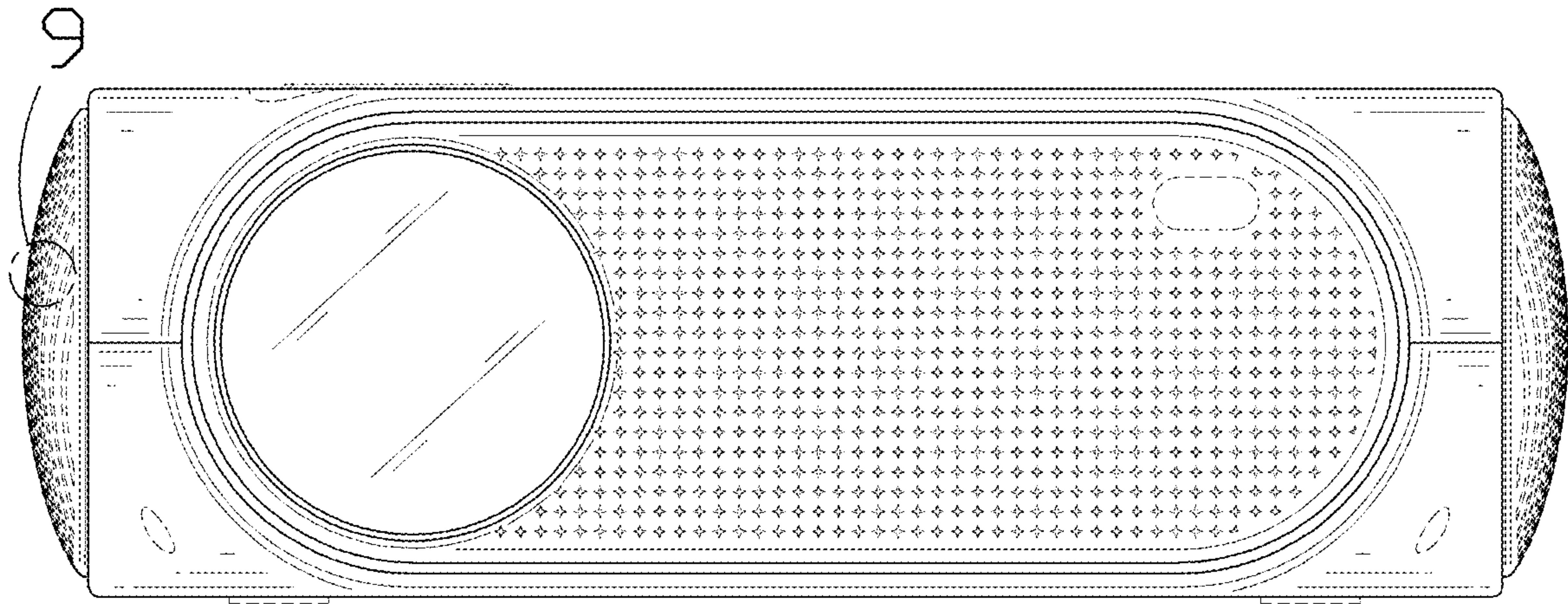


FIG. 3

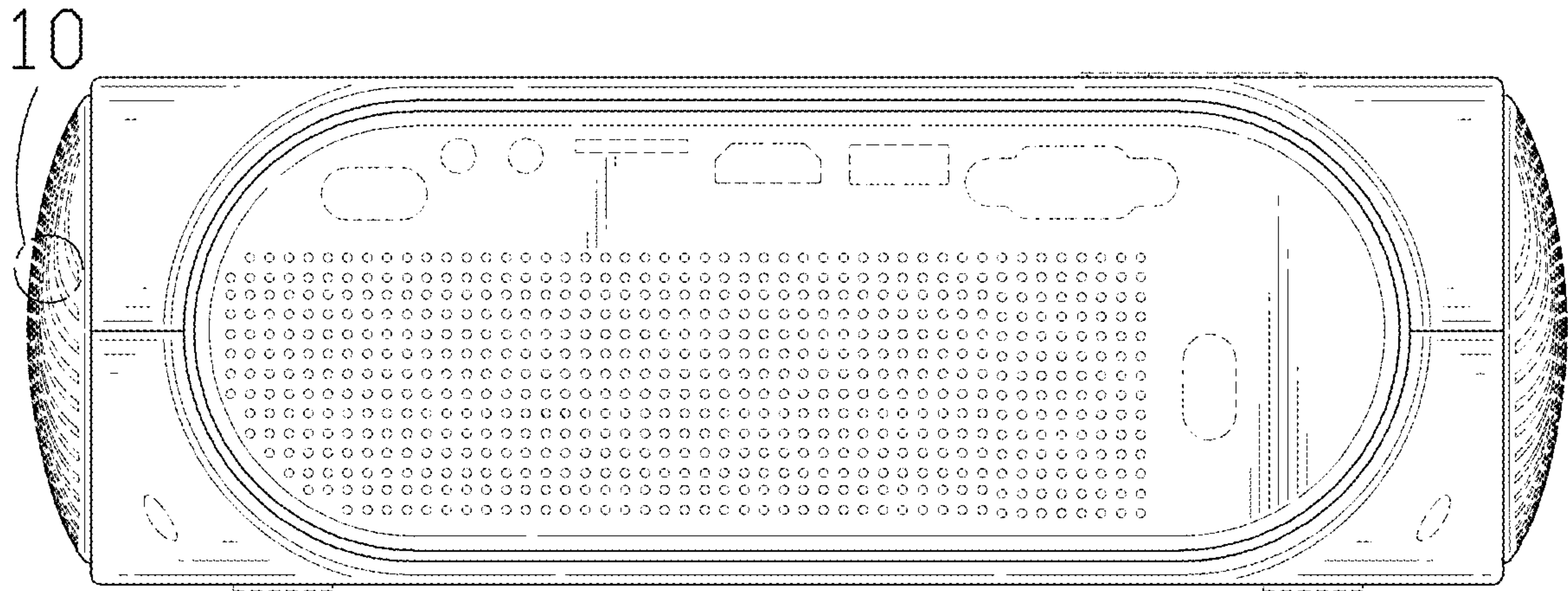


FIG. 4

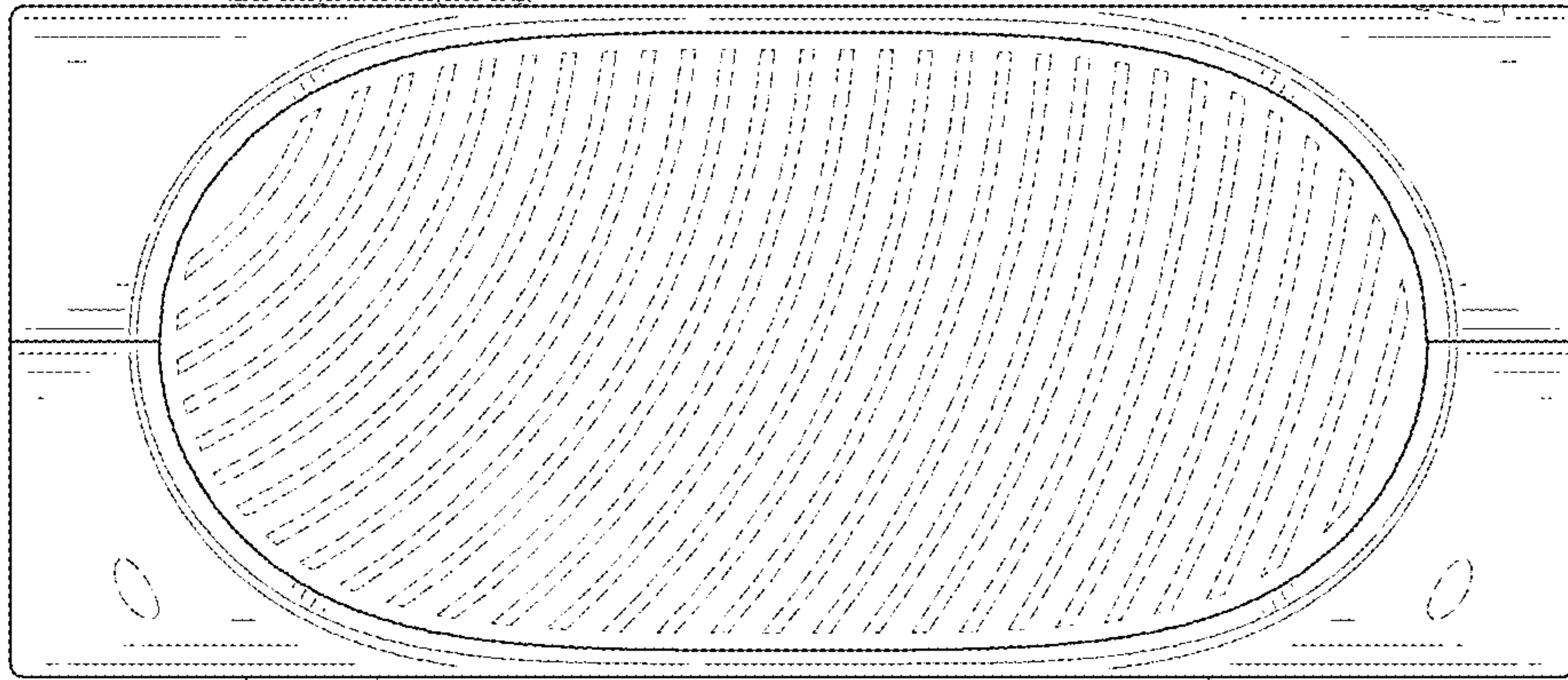


FIG. 5



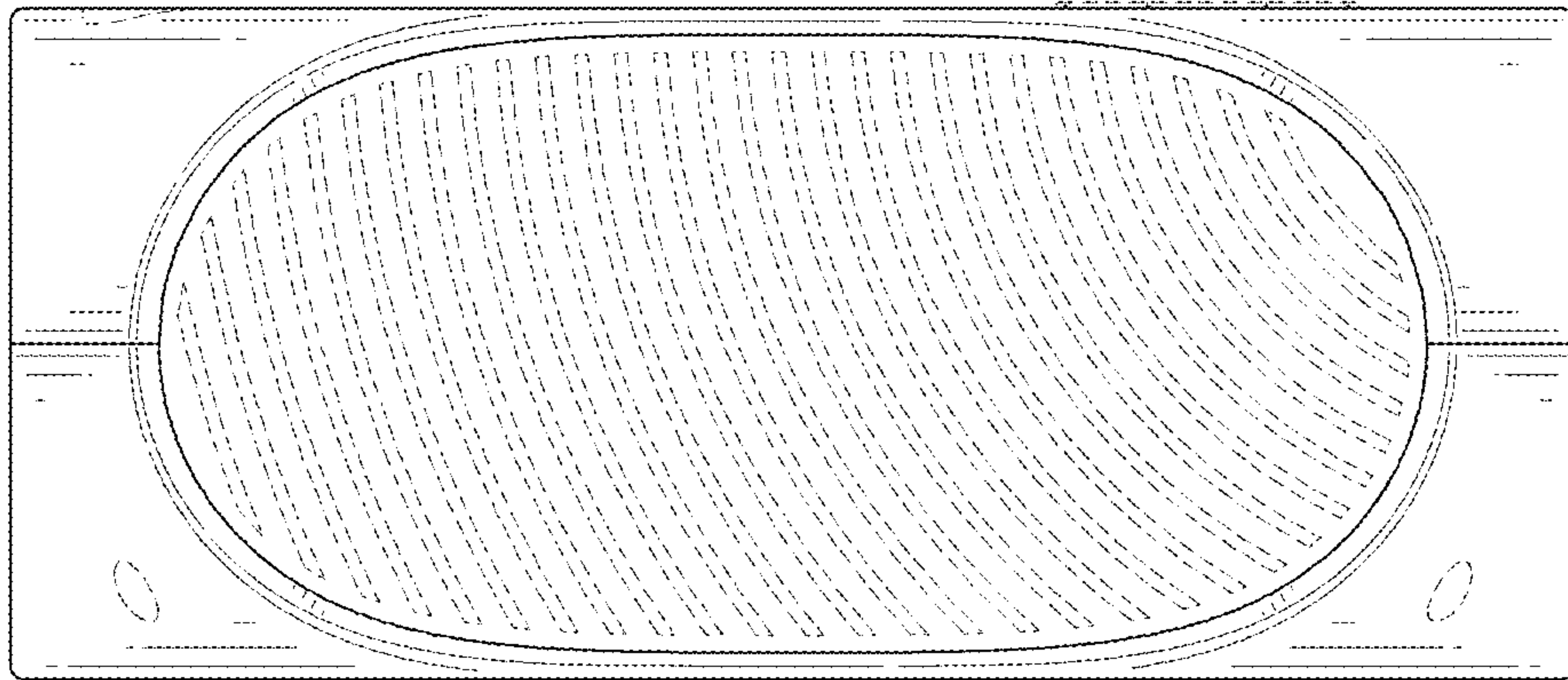


FIG. 6

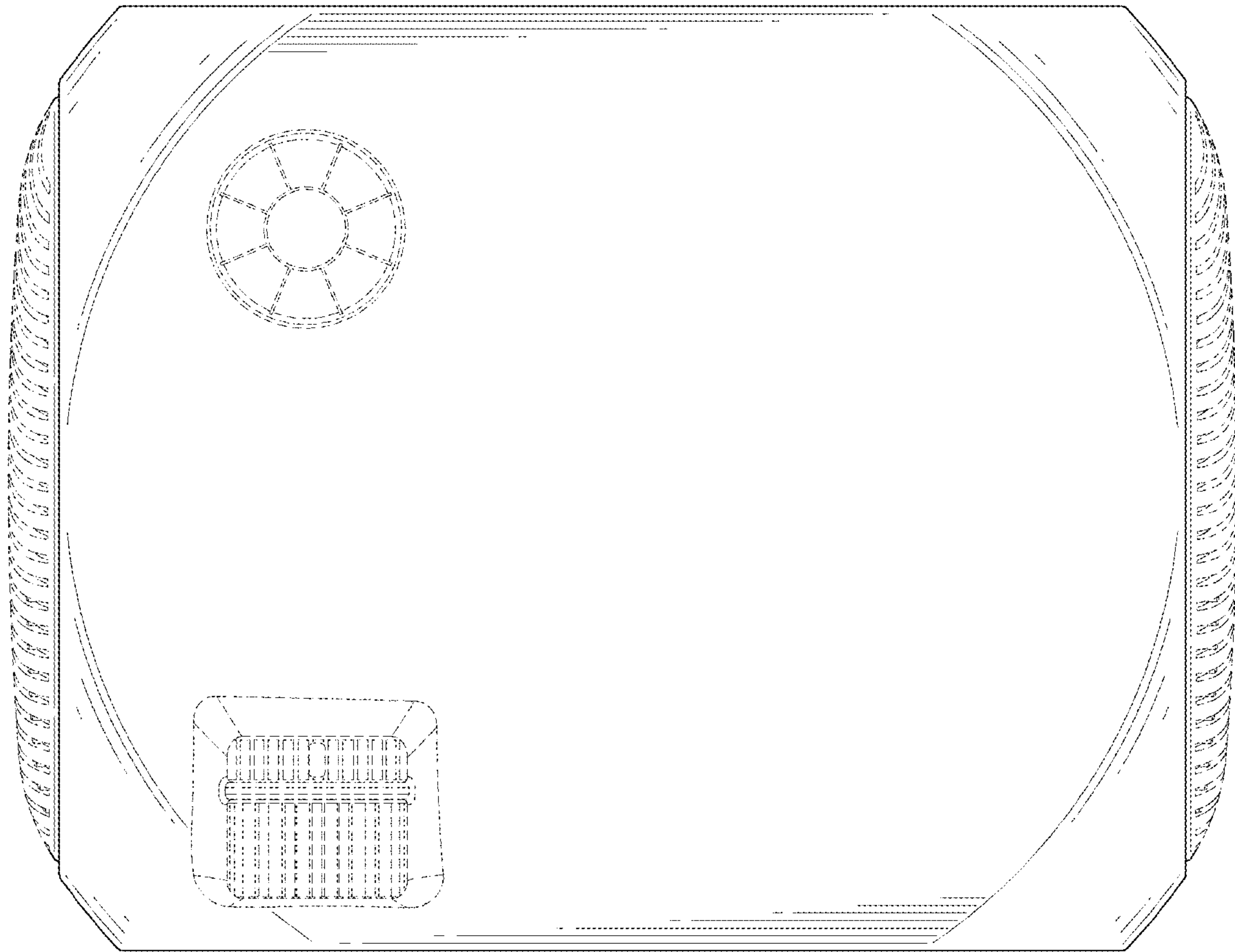


FIG. 7



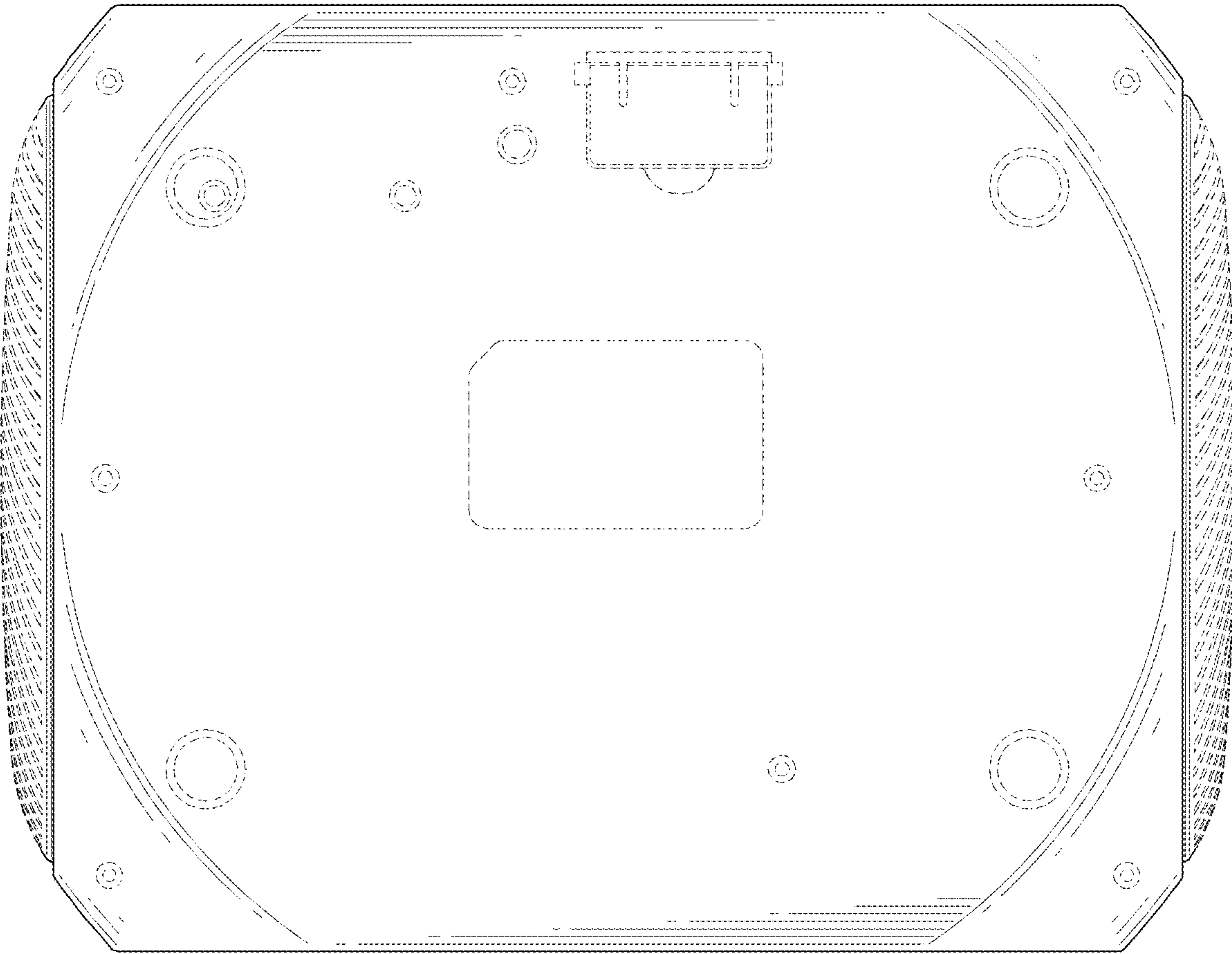


FIG. 8

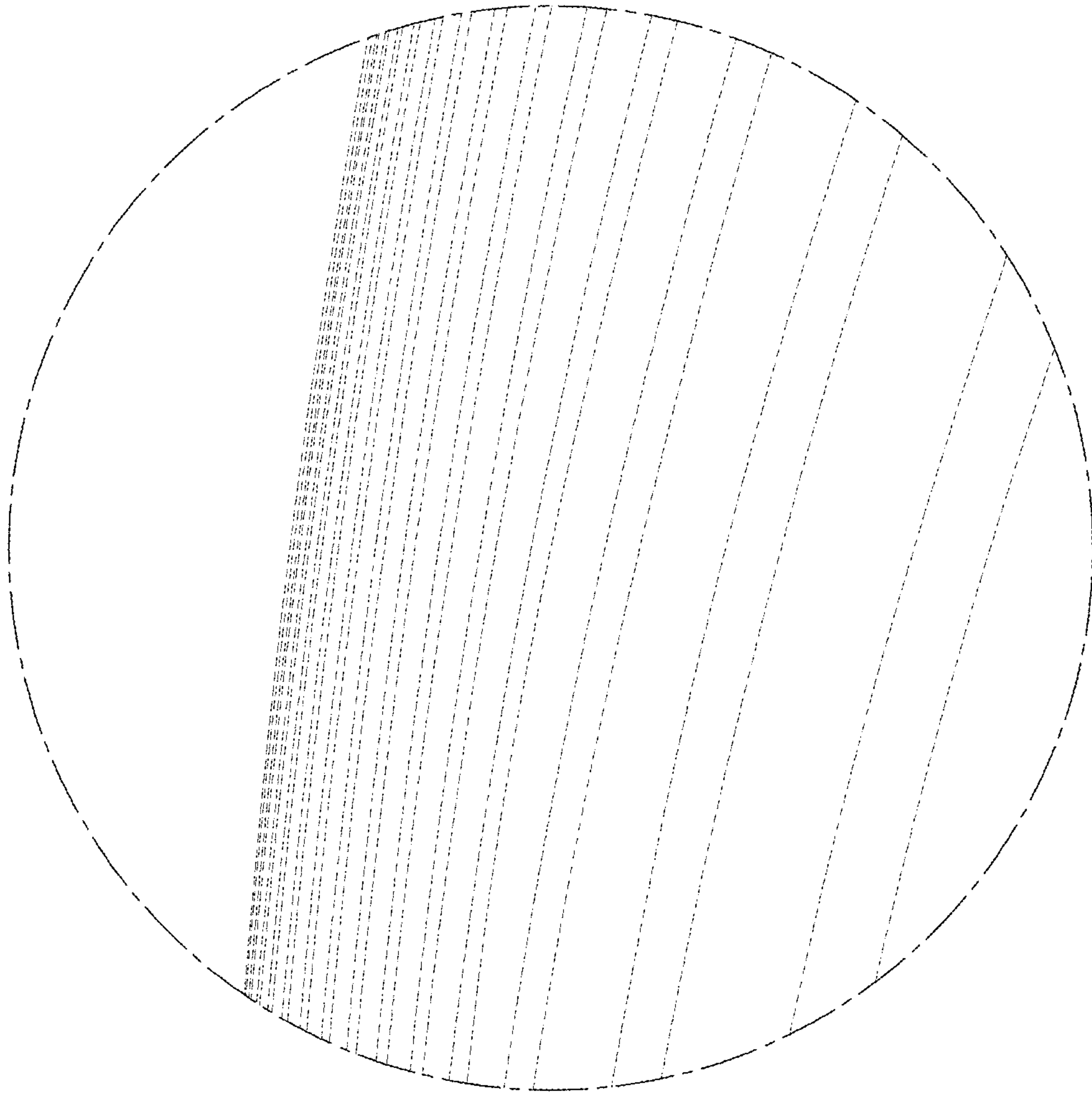


FIG. 9

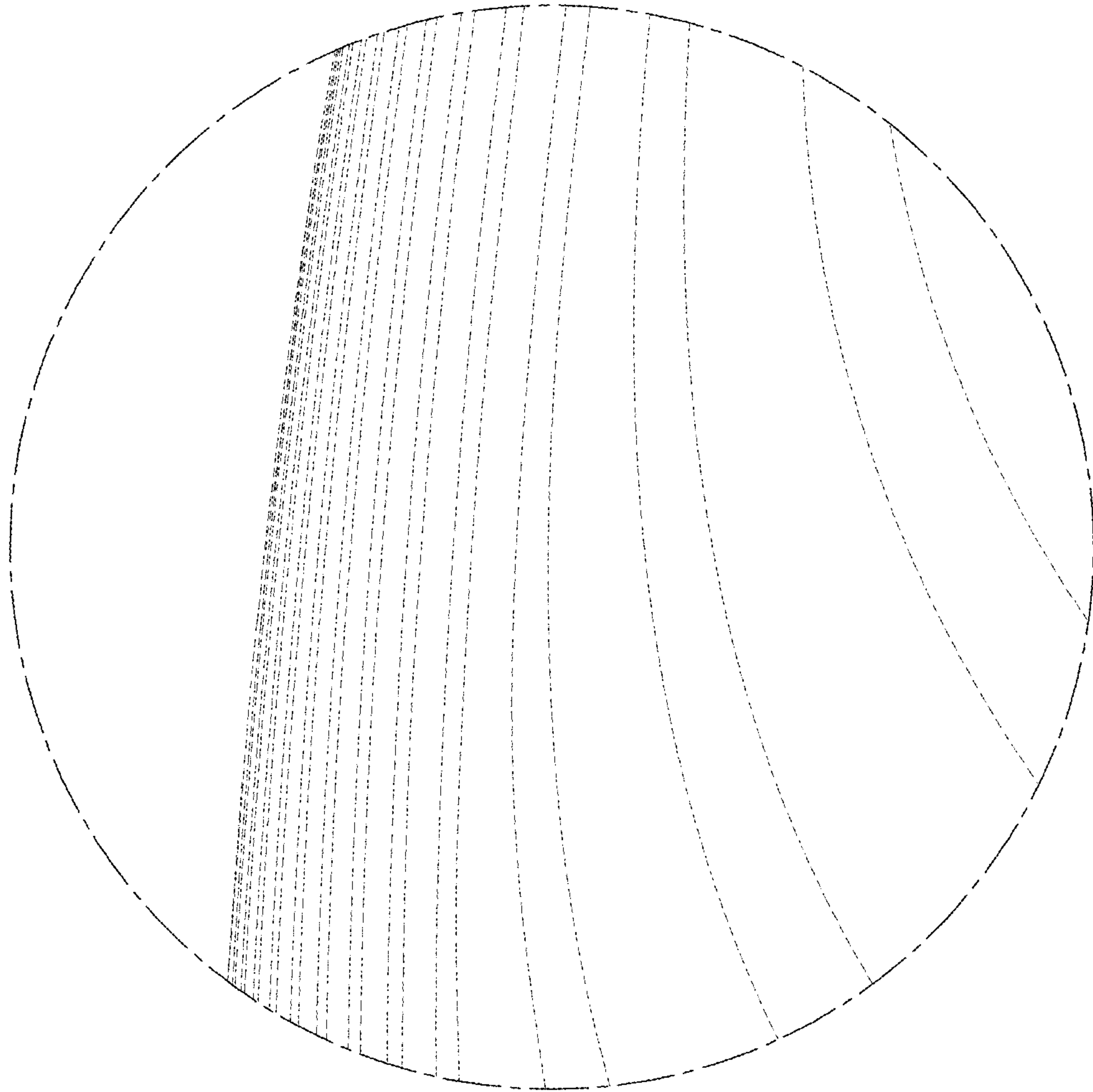


FIG. 10