



US00D895713S

(12) **United States Design Patent**
Hoffman et al.

(10) **Patent No.:** **US D895,713 S**

(45) **Date of Patent:** **** Sep. 8, 2020**

(54) **CAMERA**

(71) Applicant: **FLIR Systems AB**, Taby (SE)

(72) Inventors: **Anton Hoffman**, Taby (SE); **Christian Hogstedt**, Taby (SE); **Niklas Briheim**, Stockholm (SE); **Markus Stridsberg**, Stockholm (SE)

(73) Assignee: **FLIR Systems AB**, Täby (SE)

(**) Term: **15 Years**

(21) Appl. No.: **29/665,016**

(22) Filed: **Sep. 28, 2018**

(51) **LOC (12) Cl.** **16-05**

(52) **U.S. Cl.**
USPC **D16/219**; D16/202

(58) **Field of Classification Search**
USPC D16/200–220, 131, 132, 237, 242, 239,
D16/250, 235, 130, 134, 136, 238, 243;
D14/417, 138 C, 240, 248, 203.1, 203.3,
D14/203.7, 218, 207, 440, 402, 454, 407,
D14/408, 252, 253; D10/104.1, 50, 65,
D10/74, 70, 118.2, 66; D30/199;
D29/102, 122, 103; D3/269, 267;
D12/187

CPC G03B 17/00; G03B 17/02; G03B 17/56;
G03B 17/04; G03B 17/14; G03B 17/08;
G03B 15/03; G03B 15/06; H04N
1/00981; H04N 5/2251; H04N 5/2252;
H04N 5/2253; H04N 5/2254; H04N
5/23238; H04N 7/00; H04N 13/239;
H04N 2101/00; F16M 13/00

See application file for complete search history.

(56) **References Cited**

U.S. PATENT DOCUMENTS

D102,268 S * 12/1936 Flannery D9/502
4,490,018 A * 12/1984 Yokotsuka G02B 7/04
359/702

D423,032 S * 4/2000 Eto D16/134
D426,248 S * 6/2000 Sumita D16/202
D446,801 S * 8/2001 Adachi D16/203
D531,200 S * 10/2006 Taneno D16/203
D611,979 S 3/2010 Frank et al.
D618,717 S 6/2010 Frank et al.
D738,235 S * 9/2015 Riegl D10/66
D739,888 S * 9/2015 Liang D16/203
D754,237 S * 4/2016 Oh D16/219
D755,270 S * 5/2016 Vehlewald D16/202
D818,023 S * 5/2018 Nishiwaki D16/202
D840,459 S * 2/2019 Petty D16/202

(Continued)

OTHER PUBLICATIONS

“FLIRA315,” FLIR®, [retrieved on Dec. 5, 2018], 4 Pages [online].
Retrieved from the Internet: <<https://www.flir.com/products/a315/>>.

Primary Examiner — T Chase Nelson

Assistant Examiner — Mary Claire Ramirez

(74) *Attorney, Agent, or Firm* — Haynes and Boone, LLP

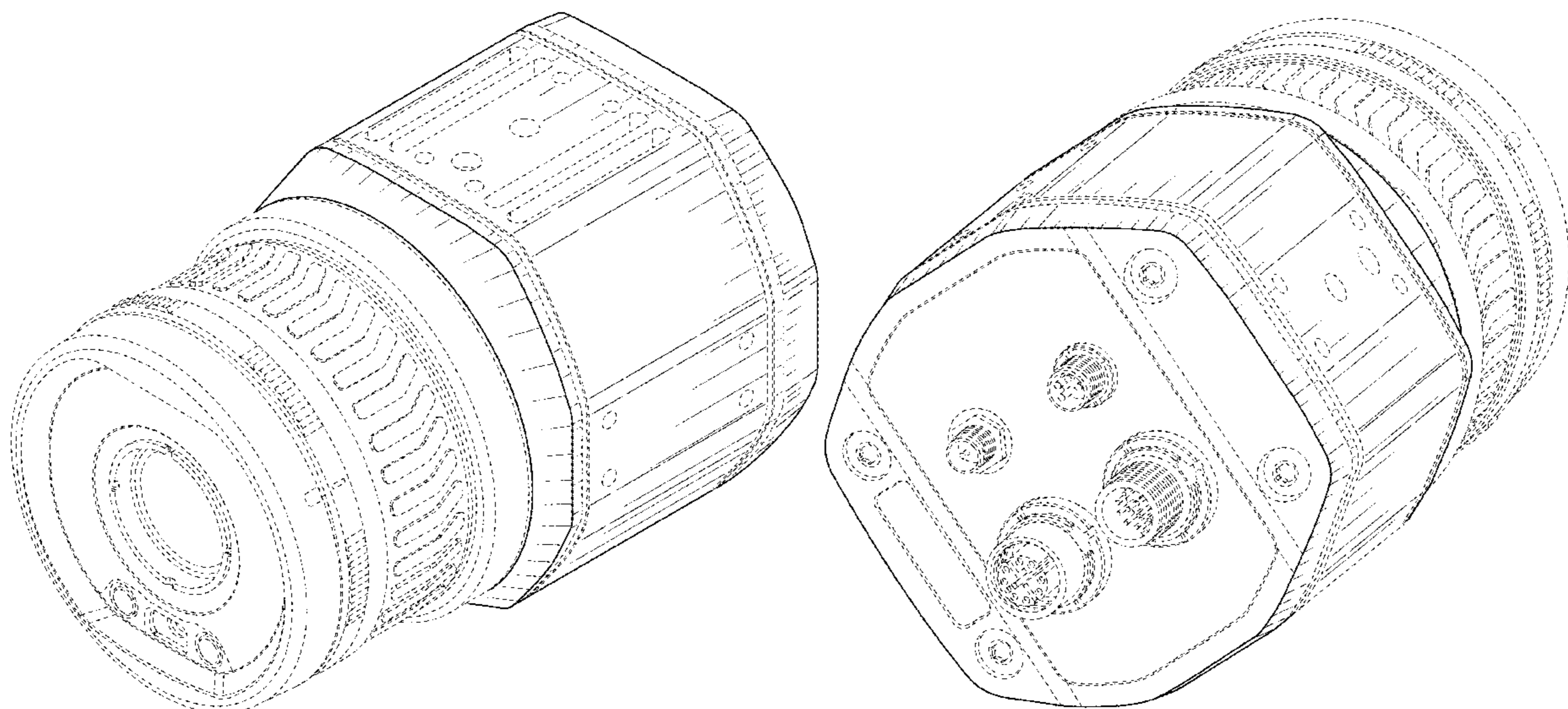
(57) **CLAIM**

The ornamental design for a camera, as shown and described.

DESCRIPTION

FIG. 1 is a front, left, and top perspective view of a camera embodying the new design;
FIG. 2 is a rear, right, and bottom perspective view thereof;
FIG. 3 is a front elevational view thereof;
FIG. 4 is a rear elevational view thereof;
FIG. 5 is a right side view thereof;
FIG. 6 is a left side view thereof;
FIG. 7 is a top plan view thereof; and,
FIG. 8 is a bottom plan view thereof.
The broken lines shown in the drawings depict portions of the camera that form no part of the claimed design.

1 Claim, 7 Drawing Sheets



(56)

References Cited

U.S. PATENT DOCUMENTS

D849,105	S	*	5/2019	Hogstedt	D16/218
D853,984	S	*	7/2019	Alves	D14/204
D855,677	S	*	8/2019	Steffensen	D16/203
D862,559	S	*	10/2019	Johansson	D16/202
D867,430	S	*	11/2019	Ikegame	D16/219
D870,794	S	*	12/2019	Hogstedt	D16/219
D870,796	S	*	12/2019	Lin	D16/219
D874,534	S	*	2/2020	Matsuo	D16/203
2014/0037282	A1	*	2/2014	Chen	G03B 17/08 396/427
2018/0097573	A1	*	4/2018	Guo	H04N 17/00

* cited by examiner

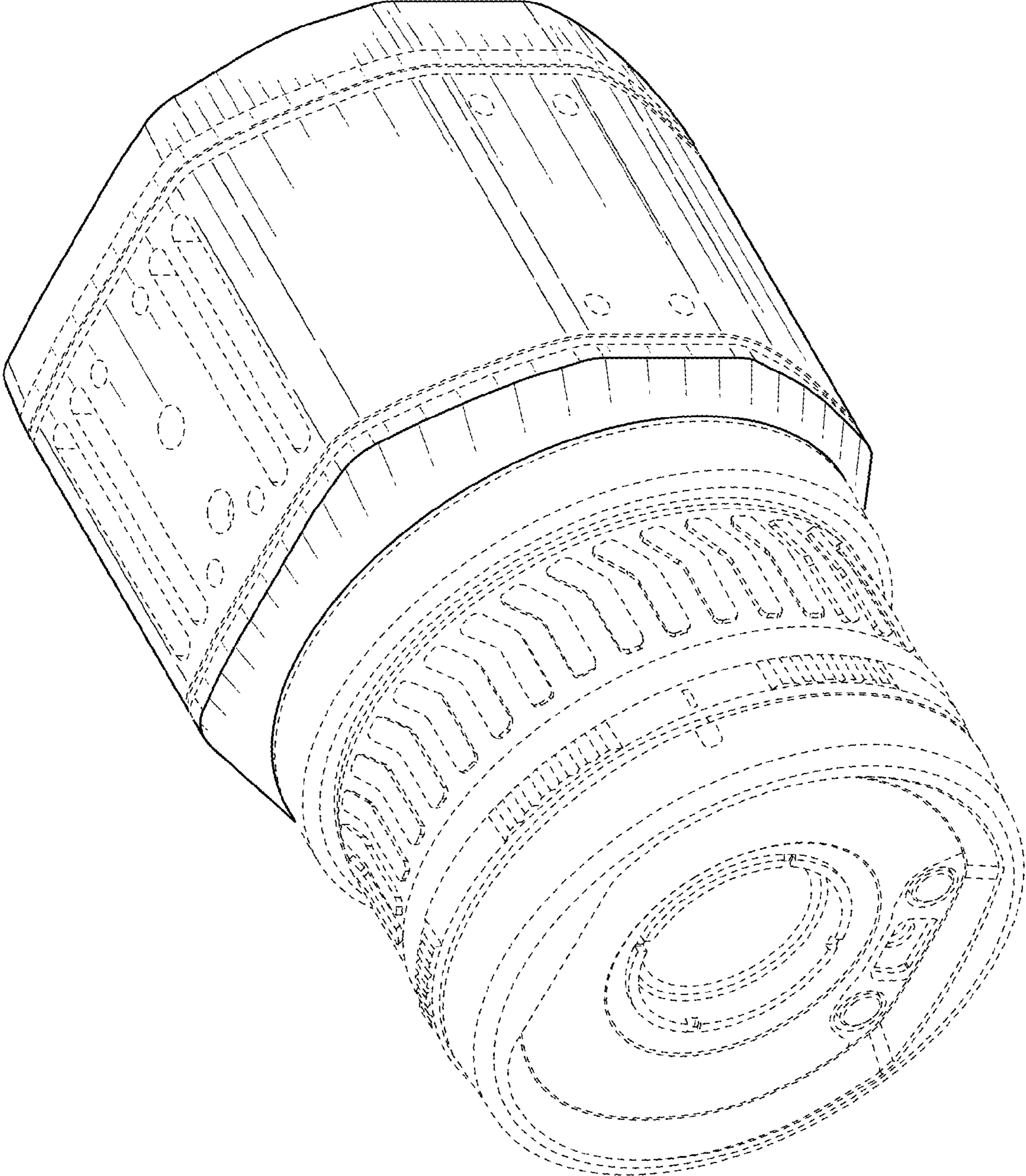


FIG. 1

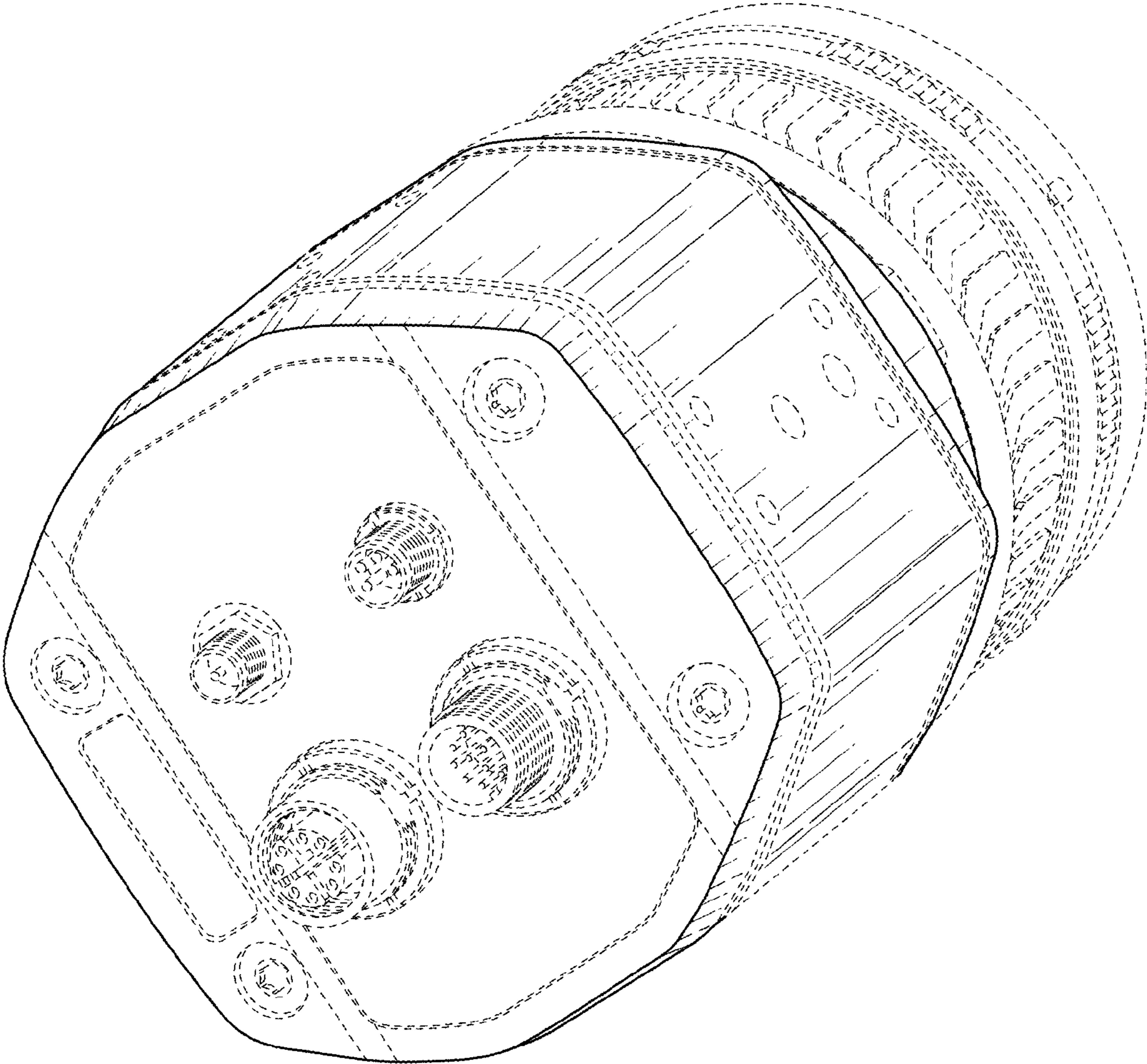


FIG. 2

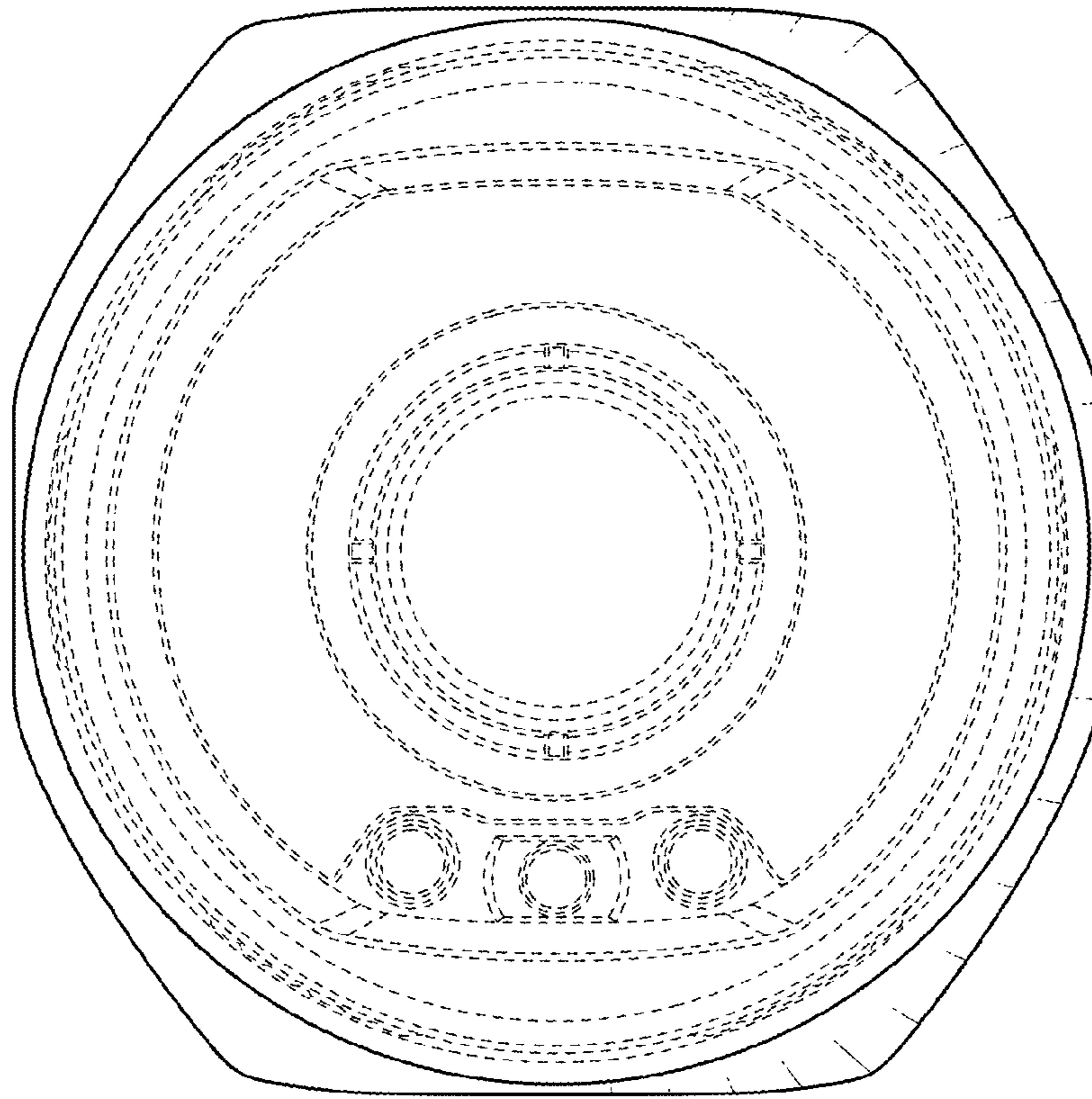


FIG. 3

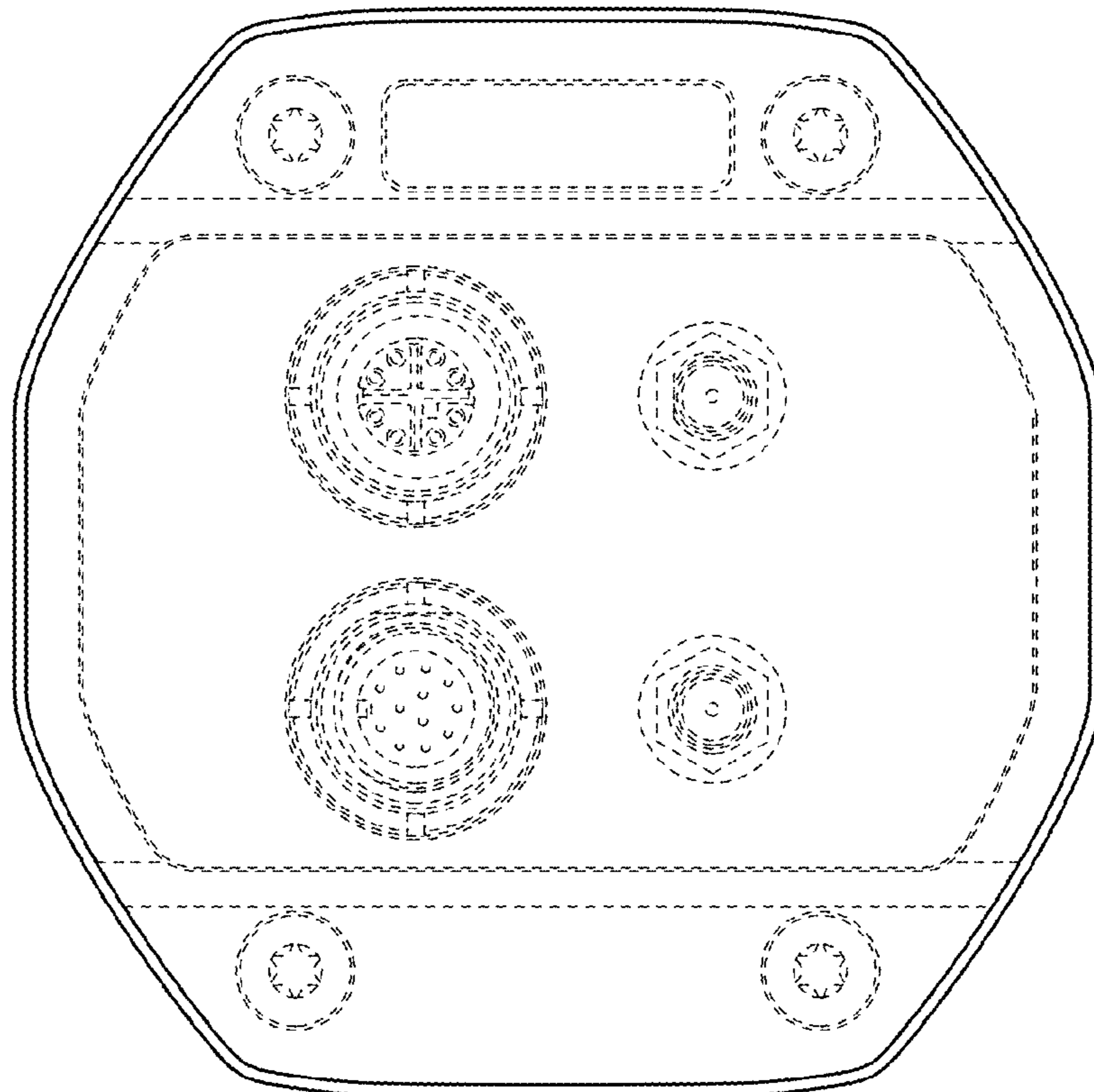


FIG. 4

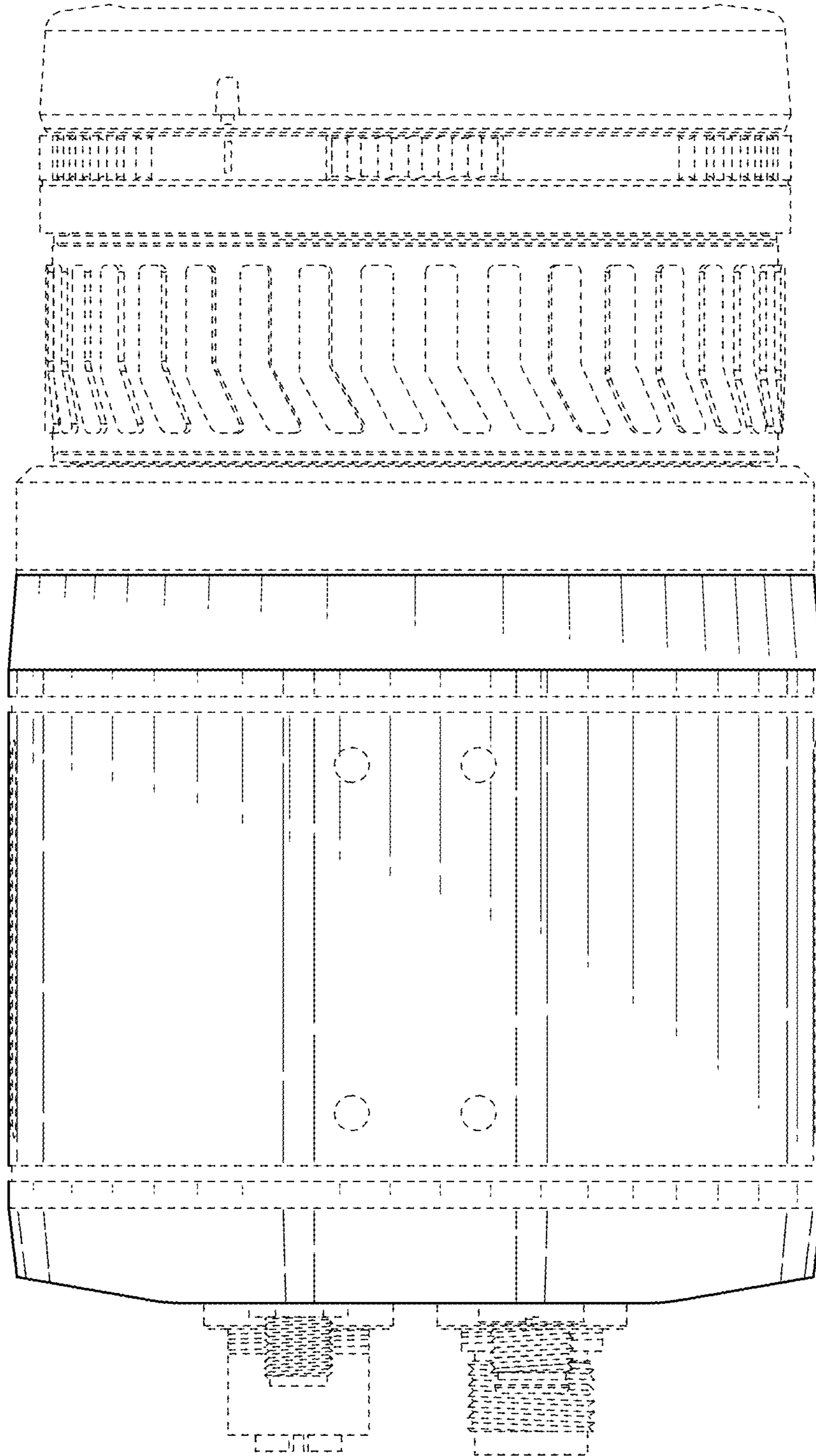


FIG. 5

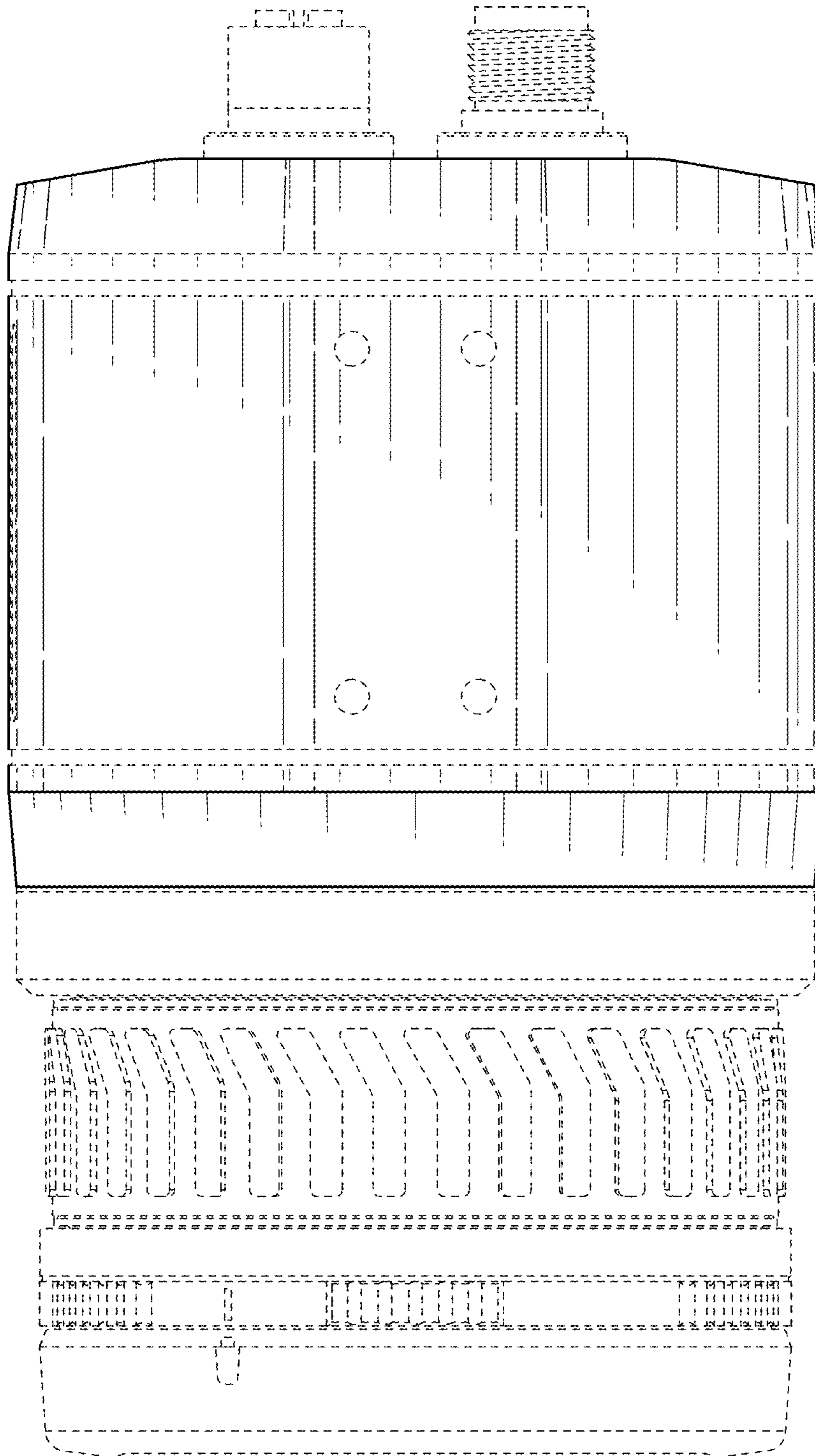


FIG. 6

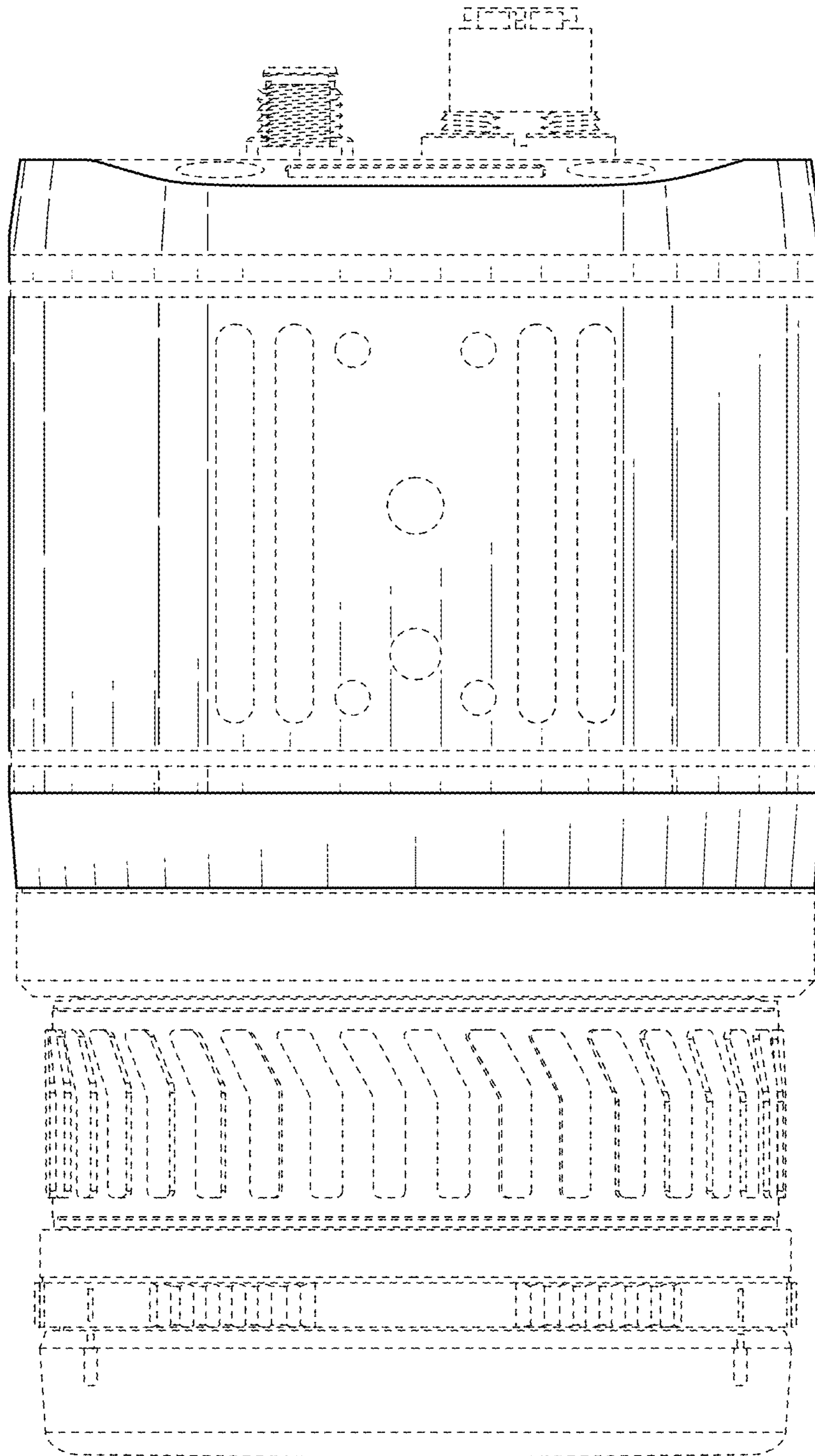


FIG. 7

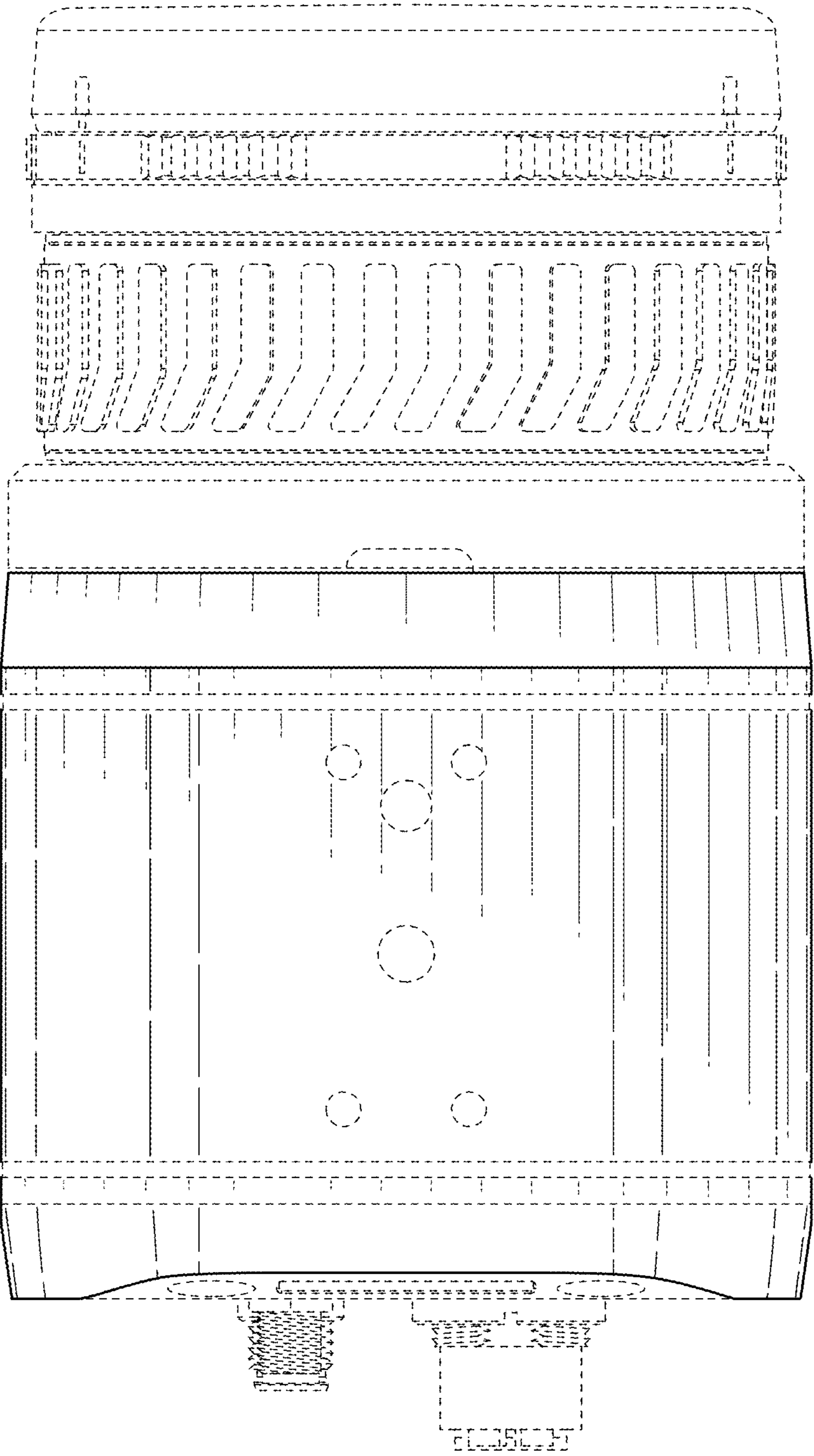


FIG. 8