



US00D895712S

(12) **United States Design Patent** (10) **Patent No.:** **US D895,712 S**  
**van Schalkwyk** (45) **Date of Patent:** **\*\* Sep. 8, 2020**

(54) **HOUSING AND SUPPORT FOR PICTURE CAPTURE APPARATUS AND/OR ACCESSORY**

(71) Applicant: **Mark van Schalkwyk**, Brooklyn, NY (US)

(72) Inventor: **Mark van Schalkwyk**, Brooklyn, NY (US)

(\*\*) Term: **15 Years**

(21) Appl. No.: **29/590,653**

(22) Filed: **Jan. 12, 2017**

(51) **LOC (12) Cl.** ..... **16-05**

(52) **U.S. Cl.**  
USPC ..... **D16/219**

(58) **Field of Classification Search**  
USPC ..... D16/200, 202–206, 214–216, 218, 219, D16/229, 239, 240, 242, 244; D25/16;  
(Continued)

(56) **References Cited**

**U.S. PATENT DOCUMENTS**

D228,578 S \* 10/1973 Glaros ..... D16/214  
6,369,908 B1 \* 4/2002 Frey ..... G03D 15/001  
358/1.15

(Continued)

**OTHER PUBLICATIONS**

[No Author Listed], <http://hootboothphotobooth.com/collections/best-sellers> Mar. 2, 2017. 1 page.

(Continued)

*Primary Examiner* — Ramzi S Almatrahi

(74) *Attorney, Agent, or Firm* — Wolf, Greenfield & Sacks, P.C.

(57) **CLAIM**

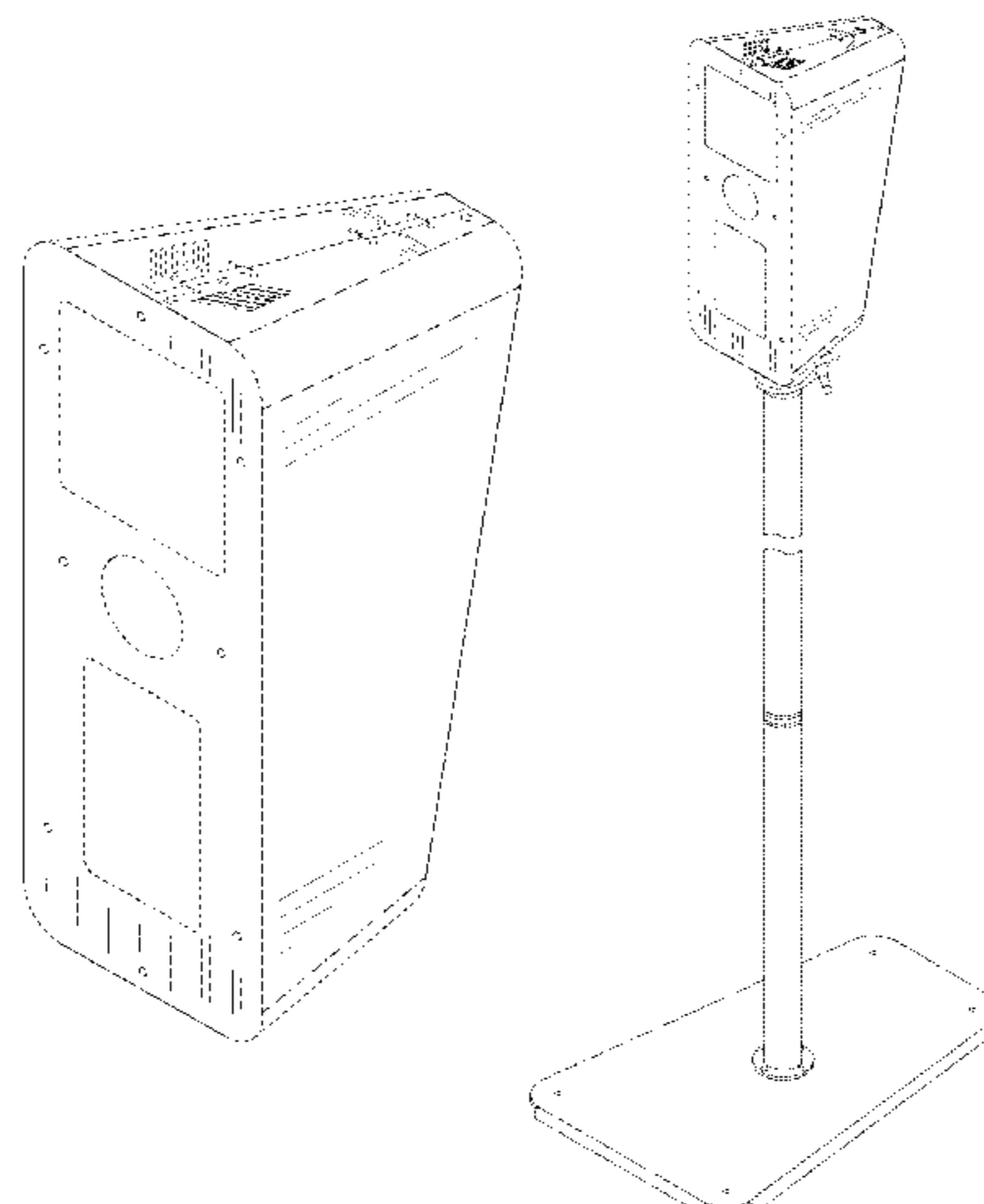
The ornamental design for a housing and support for picture capture apparatus and/or accessory, as shown and described.

**DESCRIPTION**

FIG. 1 is a front, right-side perspective view of a first embodiment of a housing and support for picture capture apparatus and/or accessory according to my new design; FIG. 2 is a front elevation view thereof; FIG. 3 is a back elevation view thereof; FIG. 4 is a left-side elevation view thereof; FIG. 5 is a right-side elevation view thereof; FIG. 6 is a top plan view thereof; FIG. 7 is a bottom plan view thereof; FIG. 8 is a front, right-side perspective view of a second embodiment of a housing and support for picture capture apparatus and/or accessory according to my new design; FIG. 9 is a front elevation view of FIG. 8; FIG. 10 is a back elevation view of FIG. 8; FIG. 11 is a left-side elevation view of FIG. 8; FIG. 12 is a right-side elevation view of FIG. 8; FIG. 13 is a top plan view of FIG. 8; FIG. 14 is a bottom plan view of FIG. 8; FIG. 15 is a front, right-side perspective view of a third embodiment of a housing and support for picture capture apparatus and/or accessory according to my new design; FIG. 16 is a front elevation view of FIG. 15; FIG. 17 is a back elevation view of FIG. 15; FIG. 18 is a left-side elevation view of FIG. 15; FIG. 19 is a right-side elevation view of FIG. 15; FIG. 20 is a top plan view of FIG. 15; FIG. 21 is a bottom plan view of FIG. 15; FIG. 22 is a front, right-side perspective view of a fourth embodiment of a housing and support for picture capture apparatus and/or accessory according to my new design; FIG. 23 is a front elevation view of FIG. 22; FIG. 24 is a back elevation view of FIG. 22; FIG. 25 is a left-side elevation view of FIG. 22; FIG. 26 is a right-side elevation view of FIG. 22; FIG. 27 is a top plan view of FIG. 22; and, FIG. 28 is a bottom plan view of FIG. 22.

The dash-dot lines adjacent to the shaded areas denote the boundary of the claim and form no part of the claimed

(Continued)



design. Additionally, the separations on the vertical poles depicted by the broken lines indicate break lines for indeterminate length. Any portion of the article between the break lines form no part of the claimed design.

**1 Claim, 24 Drawing Sheets**

(58) **Field of Classification Search**

USPC ..... 52/27.5, 29, 36.1; 348/373-376; 396/2, 396/3, 5, 419, 427, 429, 535, 539-541  
 CPC ..... G03B 15/00; G03B 15/03; G03B 15/06; G03B 17/02; G03B 17/04; G03B 17/53; G03B 17/56; G03B 19/04; H04N 5/2251; H04N 5/2252; H04N 5/2253; H04N 5/2254; H04N 2101/00

See application file for complete search history.

(56) **References Cited**

U.S. PATENT DOCUMENTS

D504,905 S \* 5/2005 Tullberg ..... D16/218  
 D518,843 S \* 4/2006 Tullberg ..... D16/202

7,646,425 B2 \* 1/2010 Bohaker ..... H04N 1/00127  
 348/156  
 7,728,885 B2 6/2010 van Schalkwyk  
 D633,933 S 3/2011 Van Schalkwyk  
 D655,736 S \* 3/2012 Barley ..... D16/203  
 D682,339 S \* 5/2013 Uppiano ..... D16/218  
 D721,757 S \* 1/2015 Shepard ..... D16/214  
 D727,992 S \* 4/2015 Tu ..... D16/215  
 D752,127 S \* 3/2016 Inagaki ..... D16/215  
 D785,694 S \* 5/2017 Fujii ..... D16/214  
 D849,104 S \* 5/2019 Wong ..... D16/215

OTHER PUBLICATIONS

[No Author Listed], <http://snapdenphotoboos.com/product-category/all/> 2016. 3 pages.

[No Author Listed], <http://www.photoboothsupplyco.com/pages/photobooth-features> retrieved Mar. 2, 2017. 9 pages.

[No Author Listed], <http://www.smilebooth.com/about/> Mar. 2, 2017. 9 pages.

[No Author Listed], <http://www.thebosco.com/products> retrieved on Mar. 2, 2017. 6 pages.

Bereznak, <https://theringer.com/the-photo-booth-that-makes-you-look-perfect-ca68654fbc9#.my6g5toq3> Aug. 17, 2016. 8 pages.

\* cited by examiner

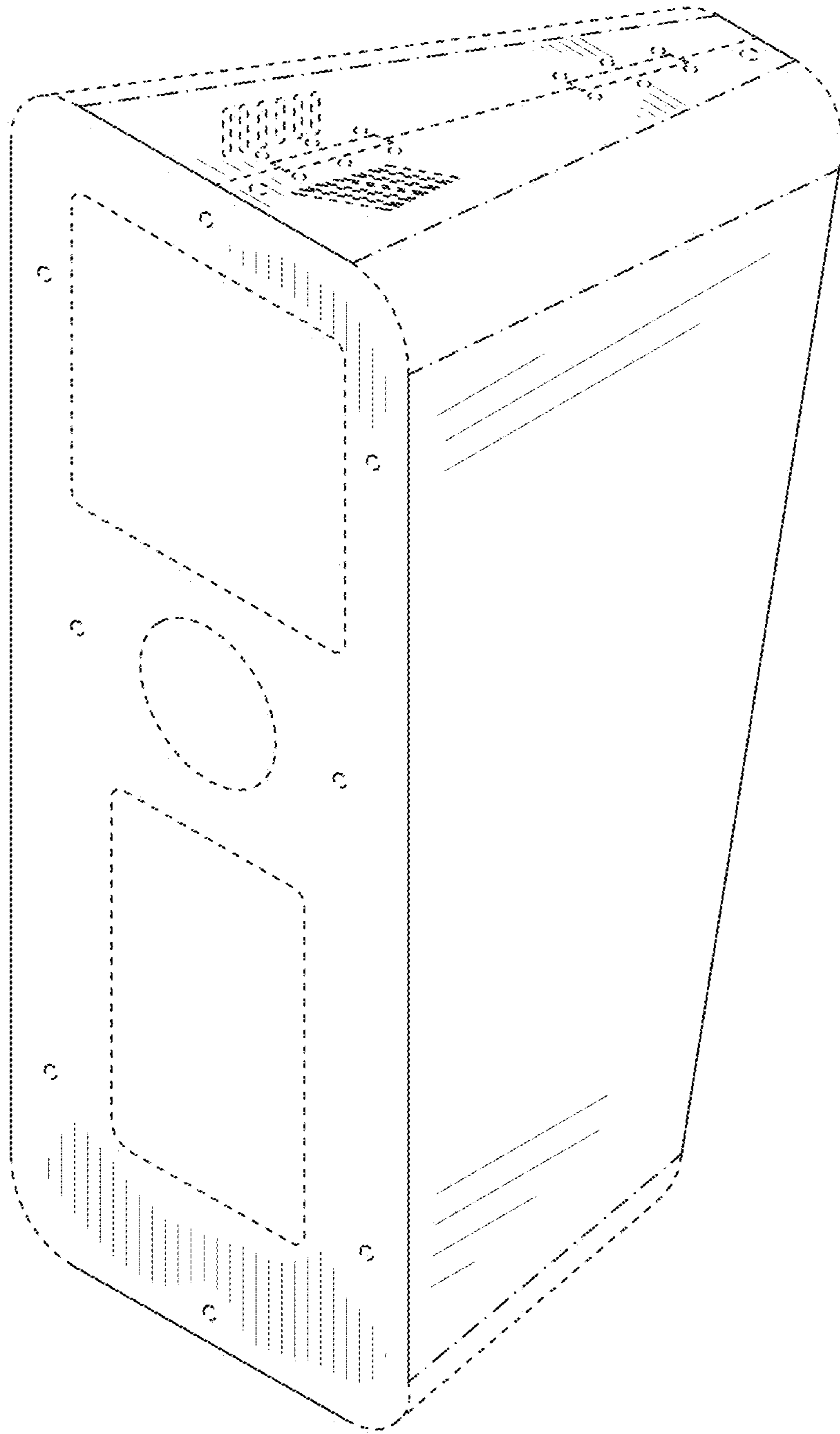


FIG. 1

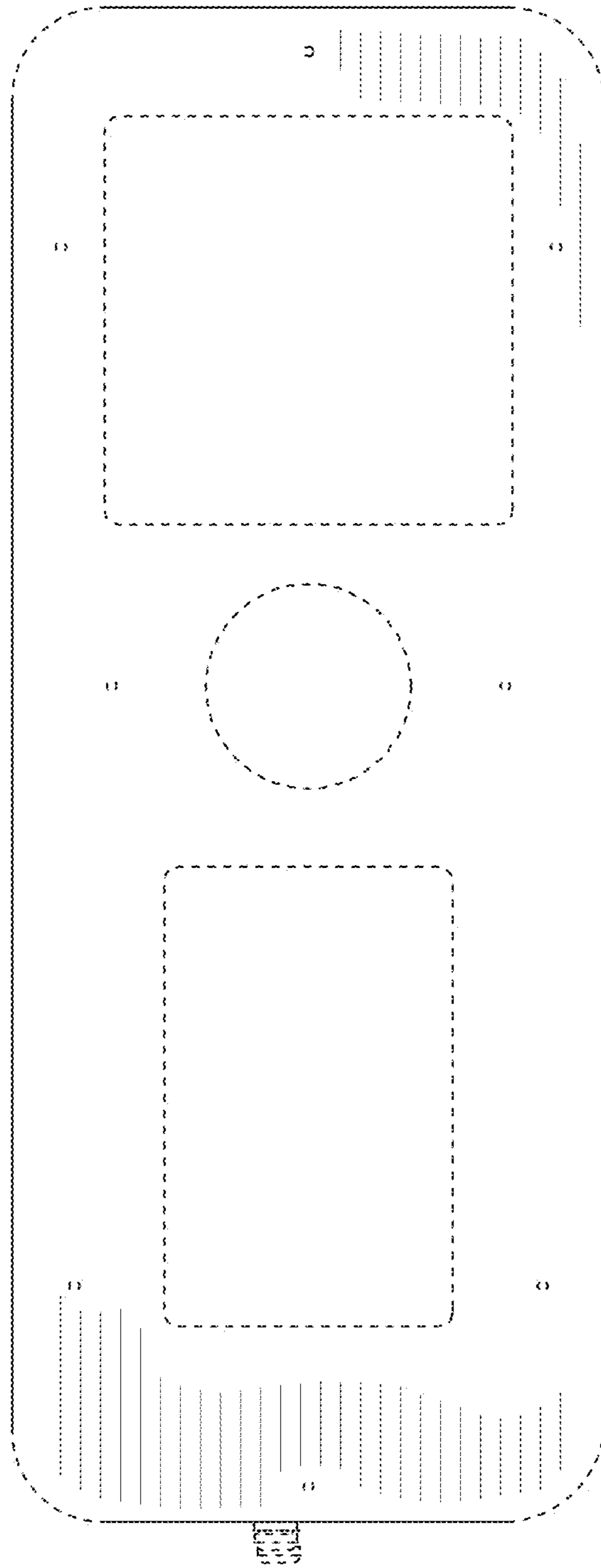


FIG. 2

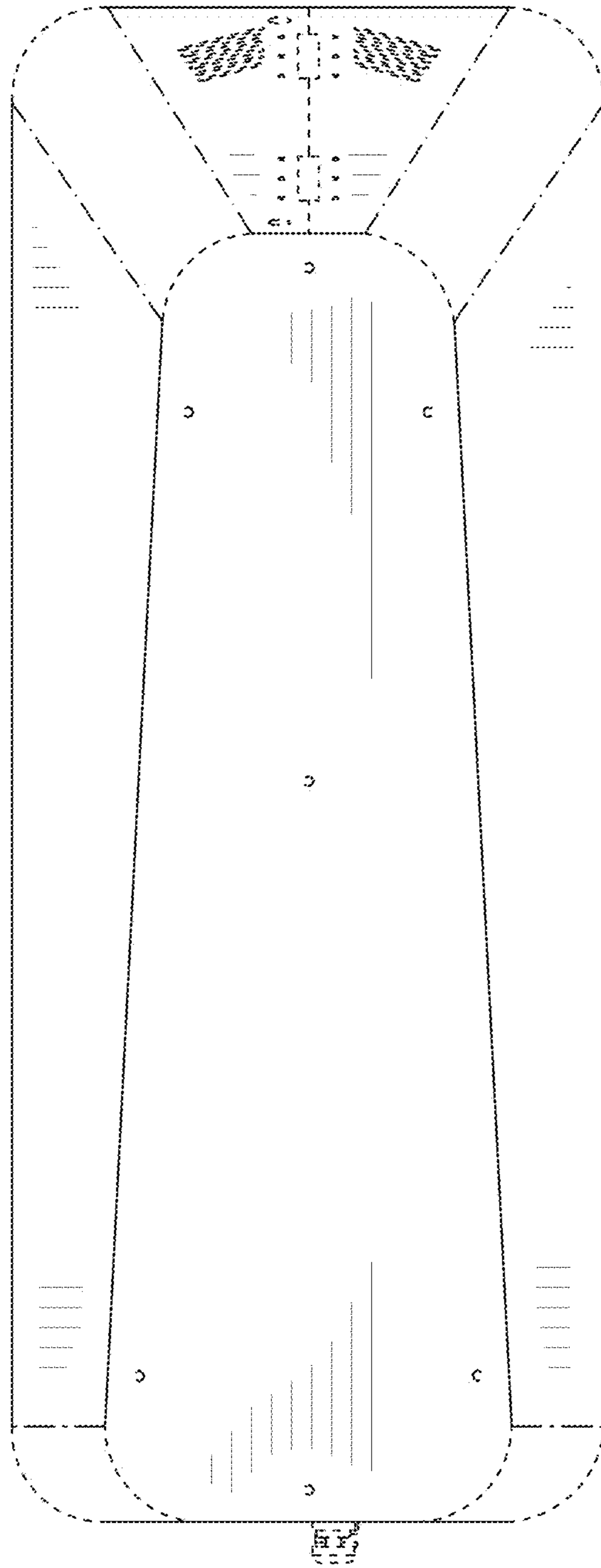


FIG. 3

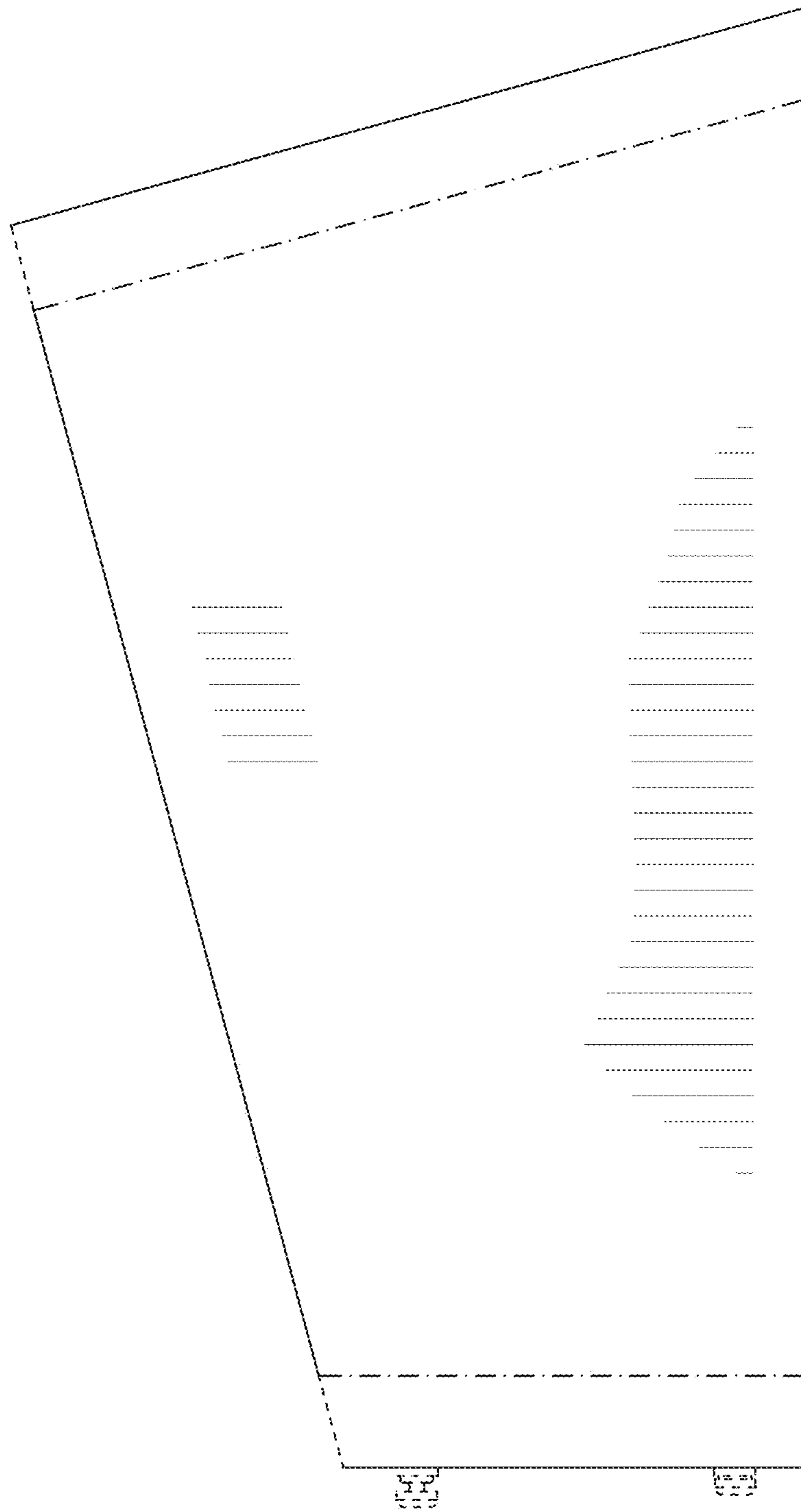


FIG. 4

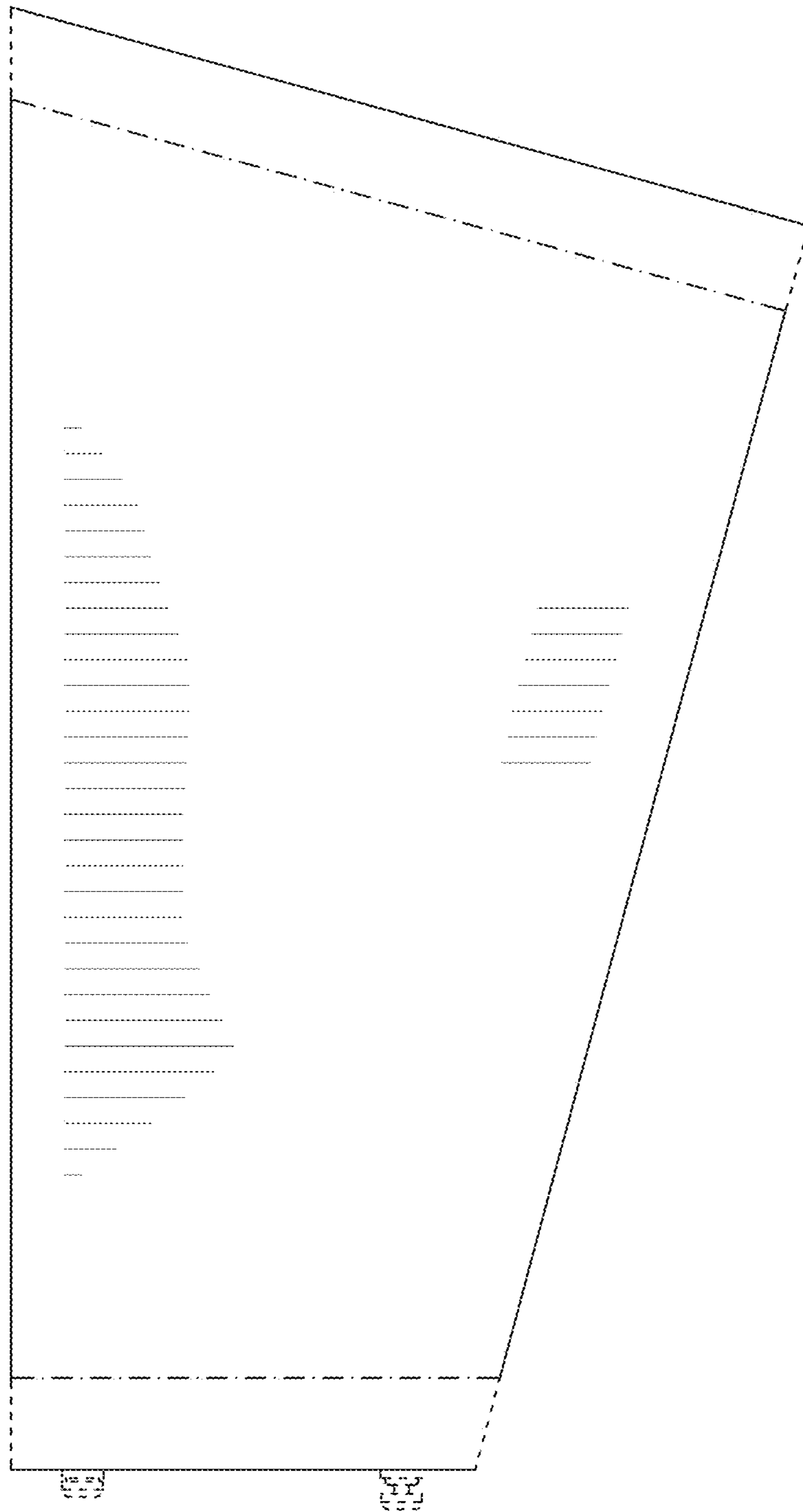


FIG. 5

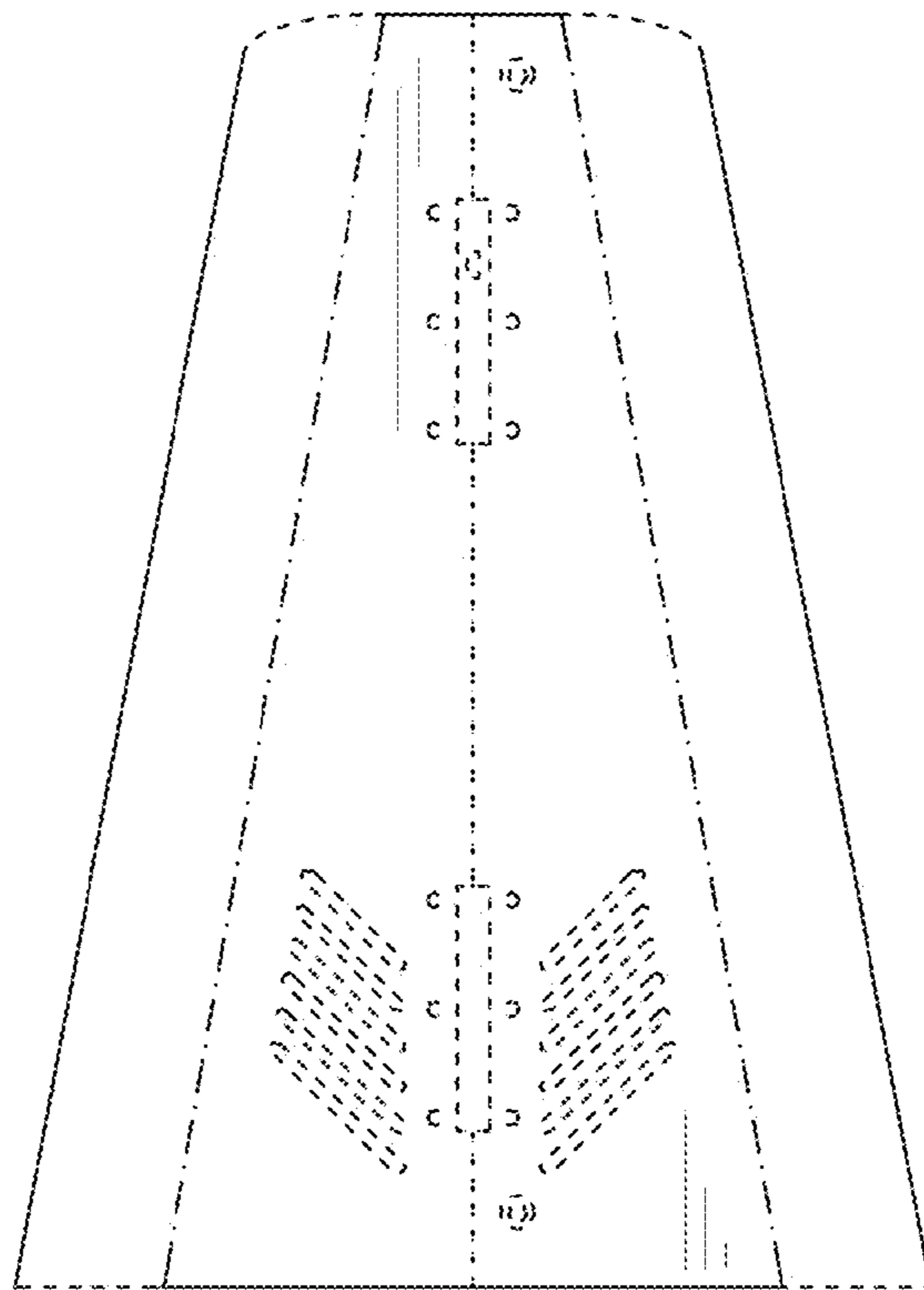


FIG. 6

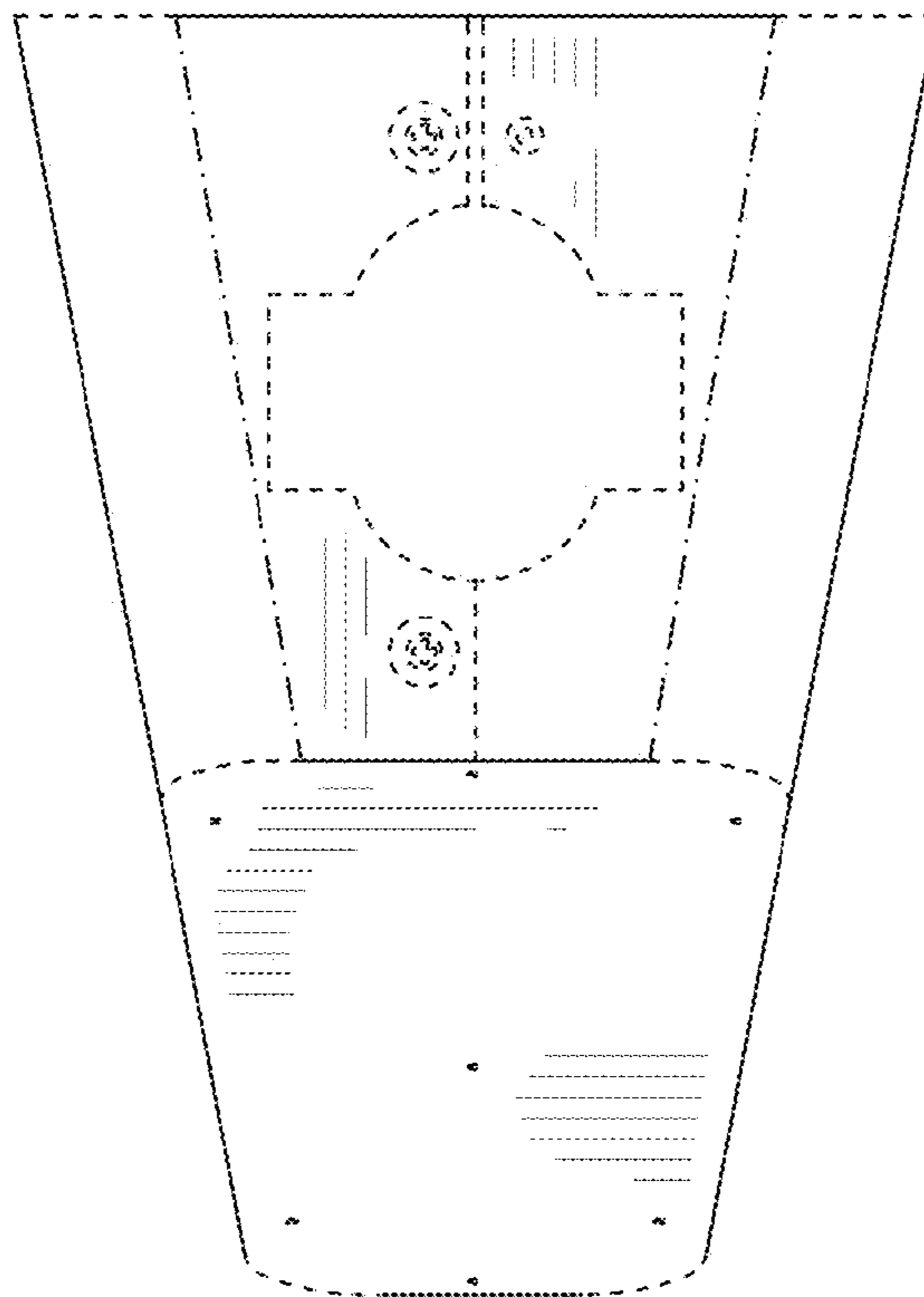


FIG. 7



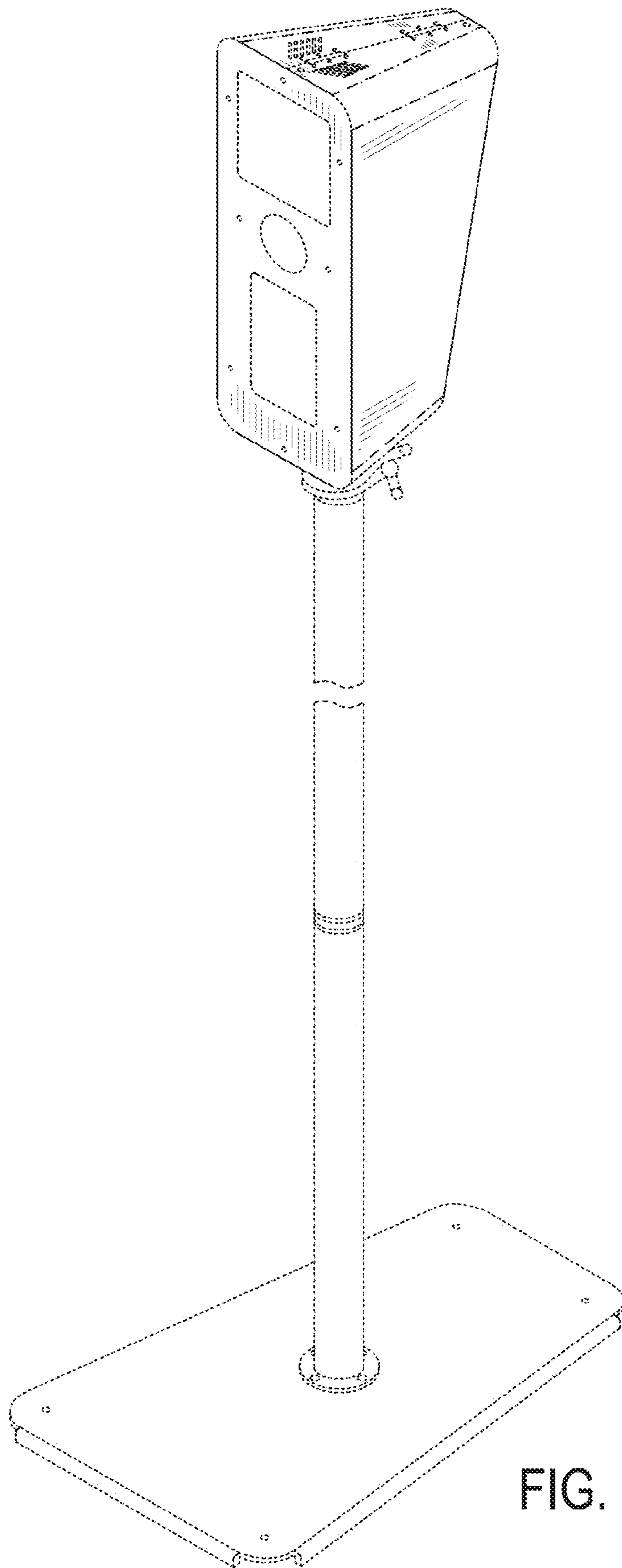


FIG. 8

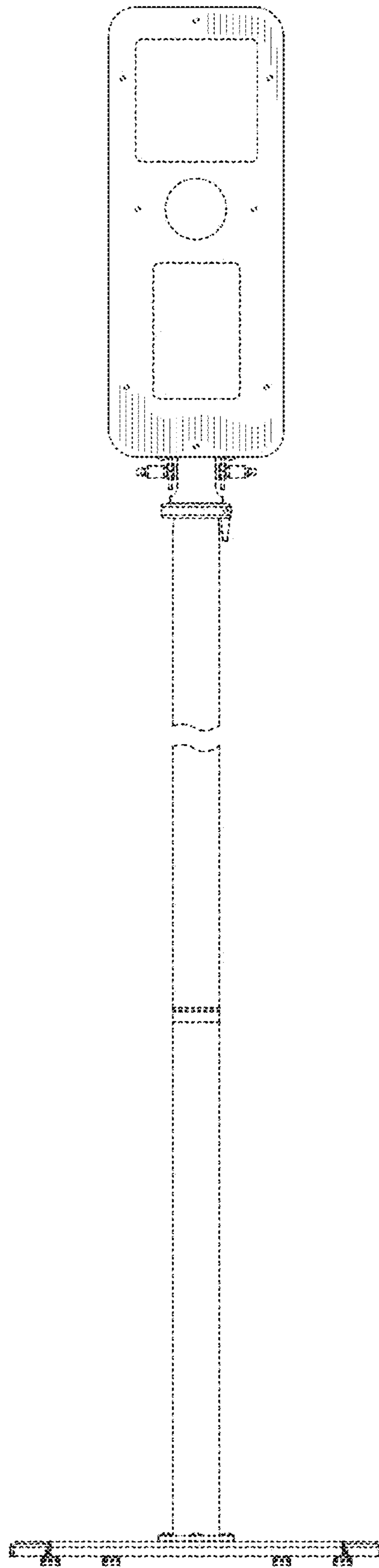


FIG. 9

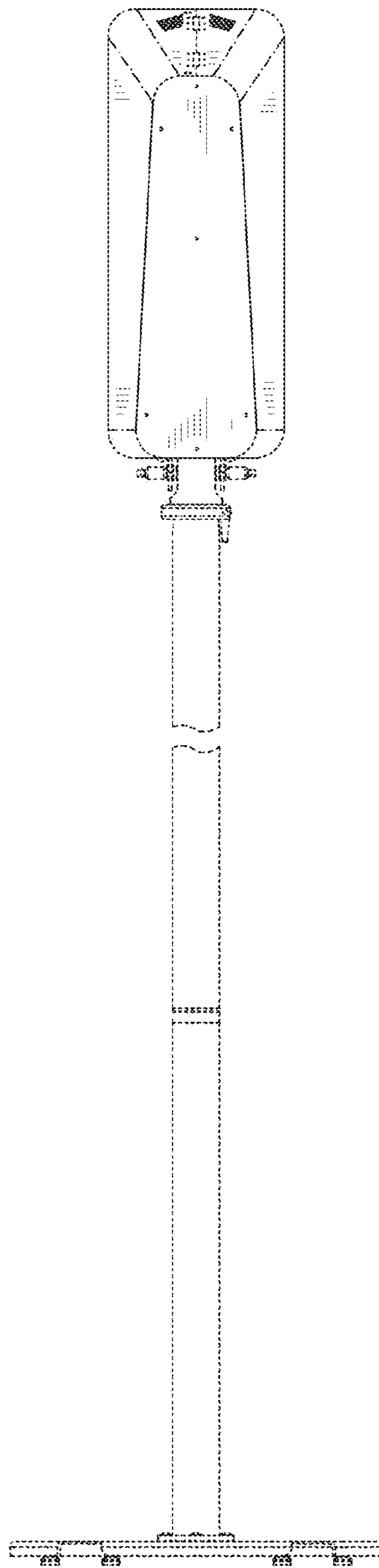


FIG. 10

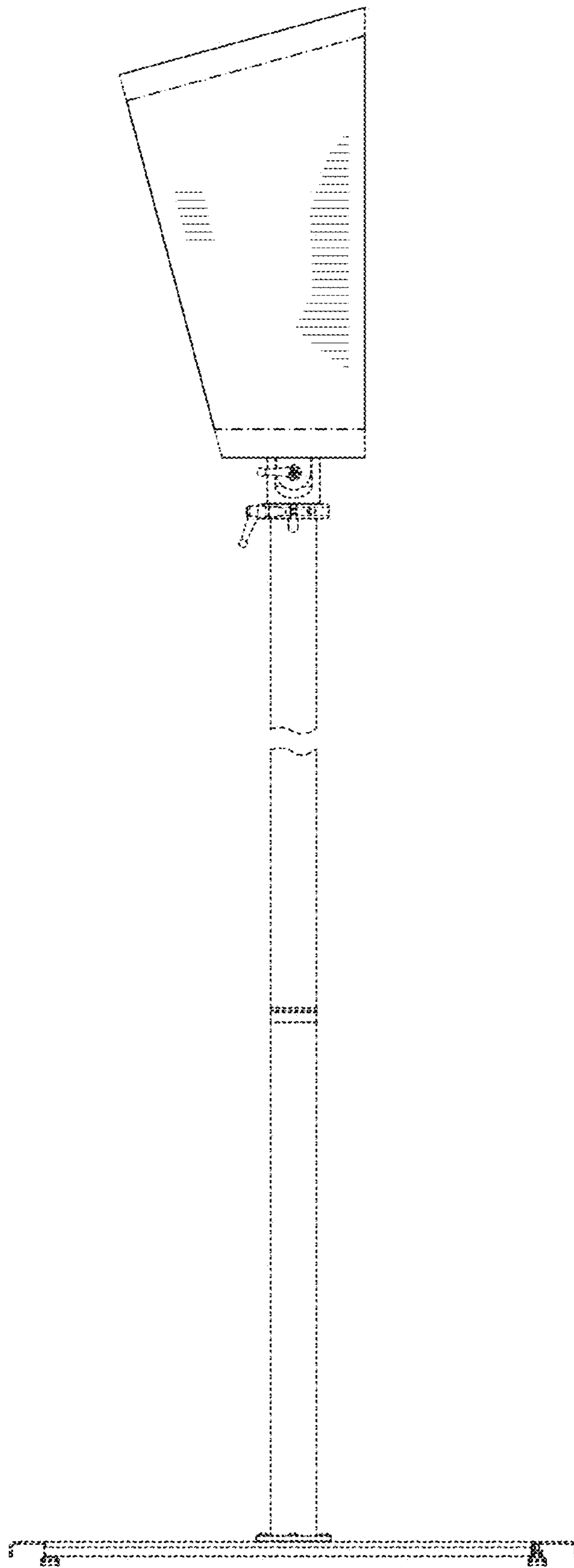


FIG. 11

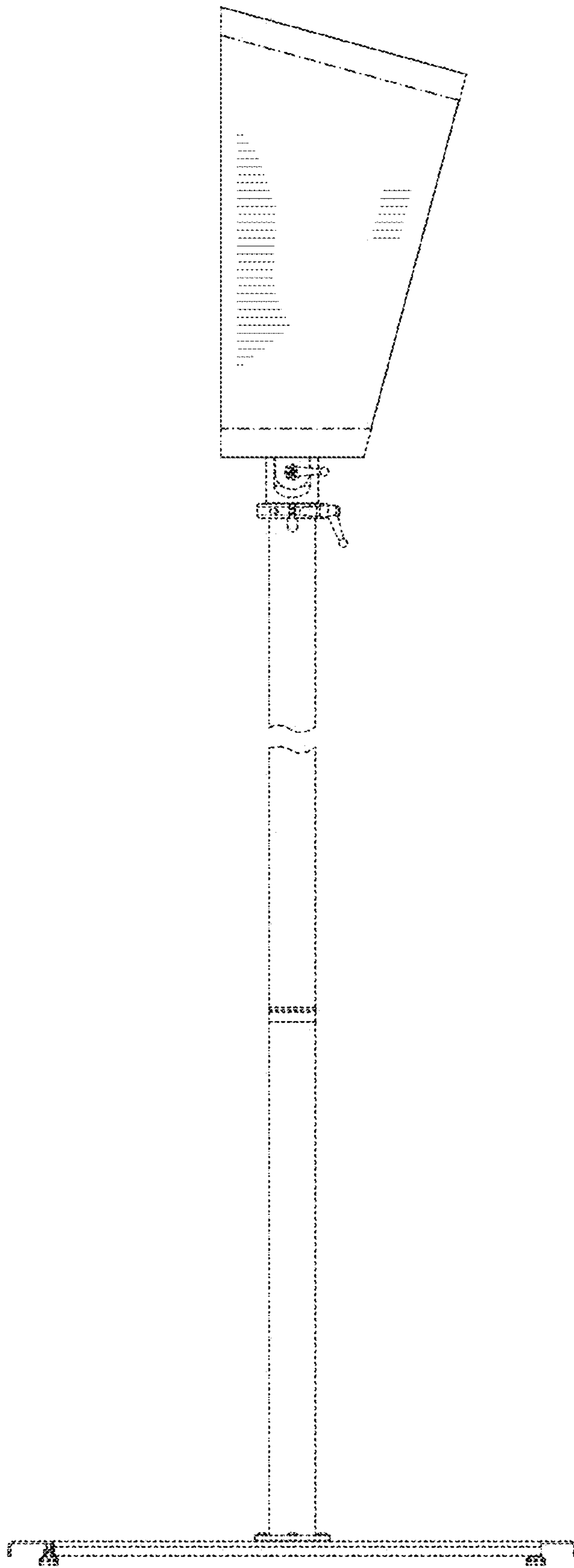


FIG. 12

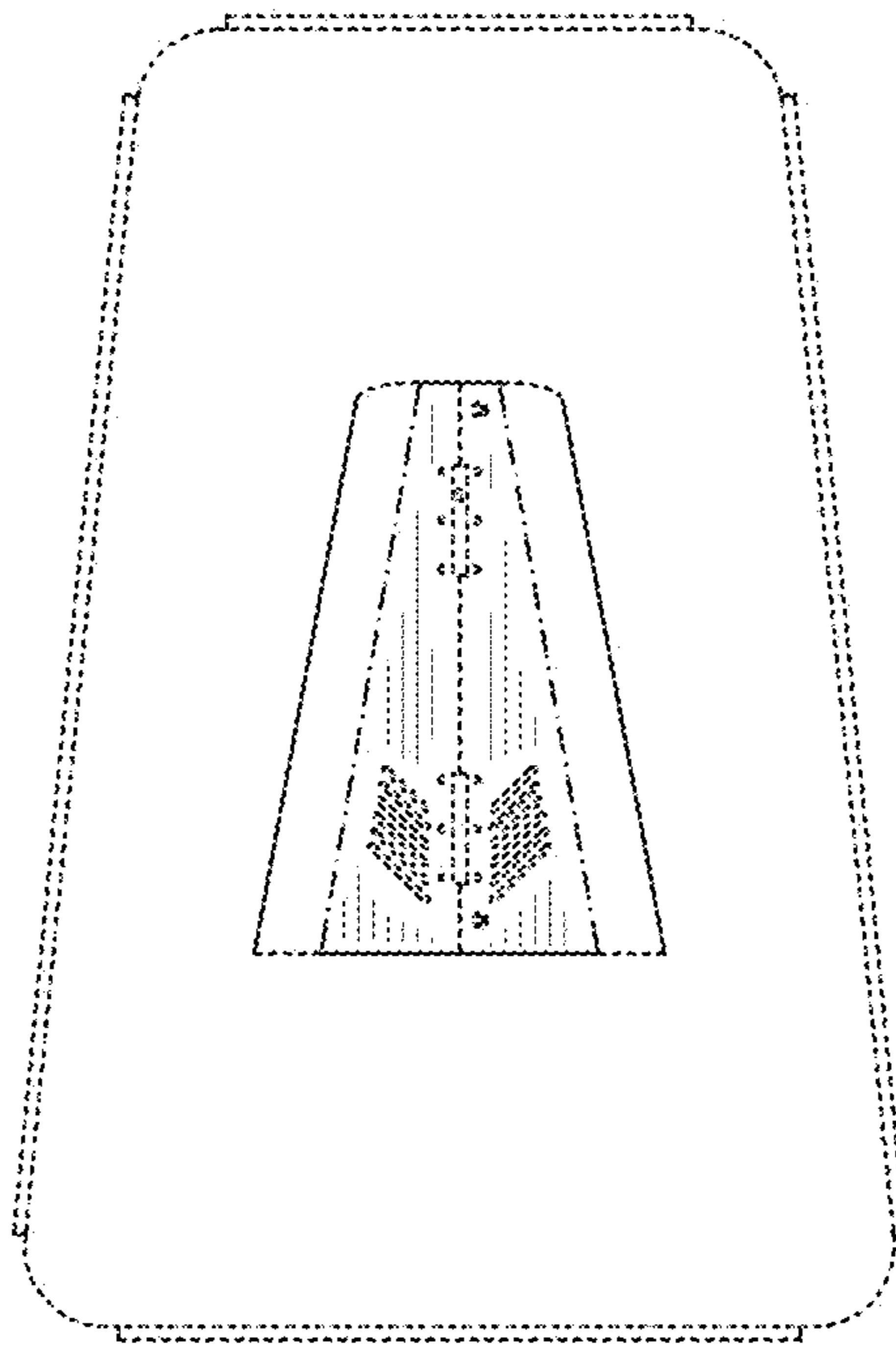


FIG. 13

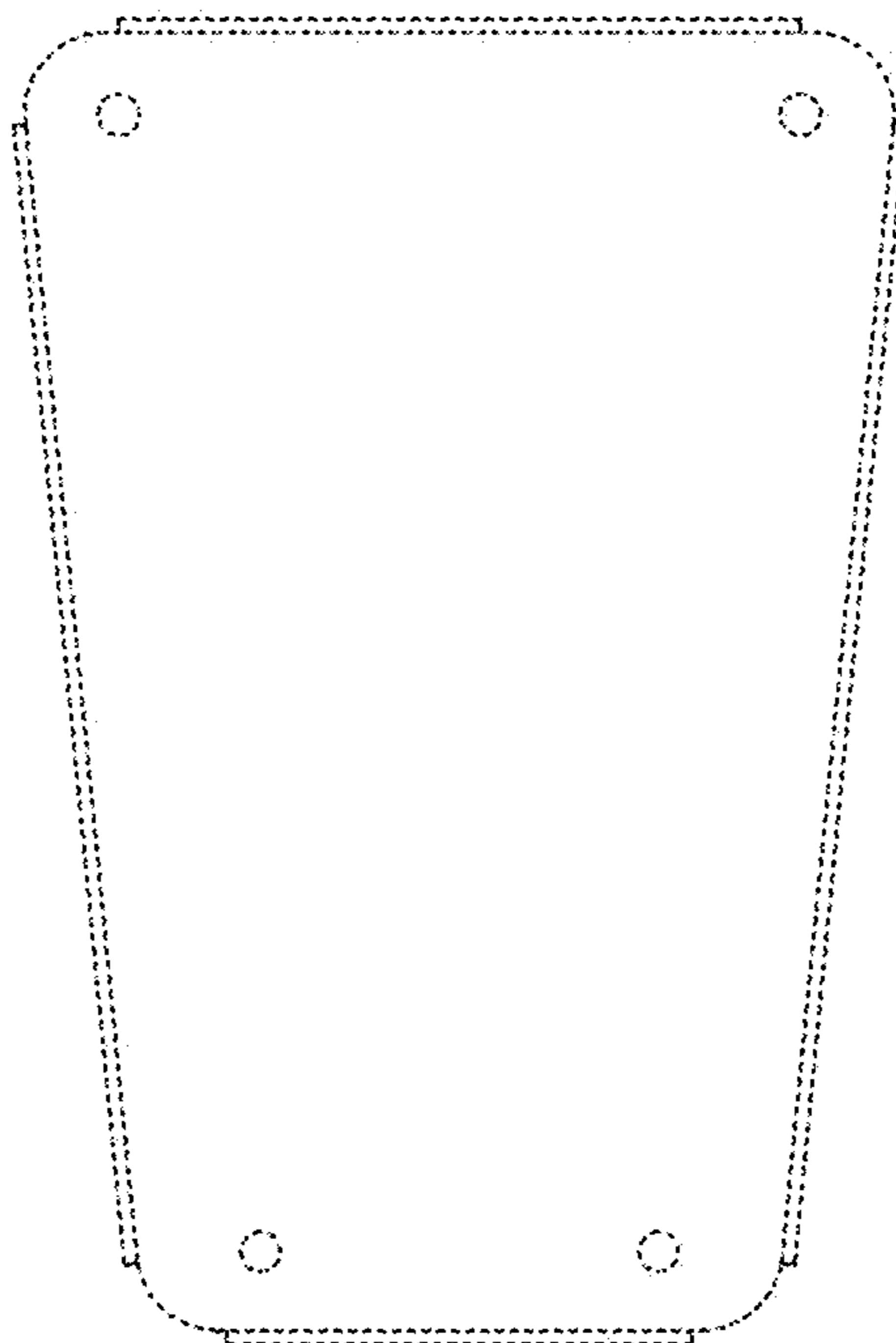


FIG. 14

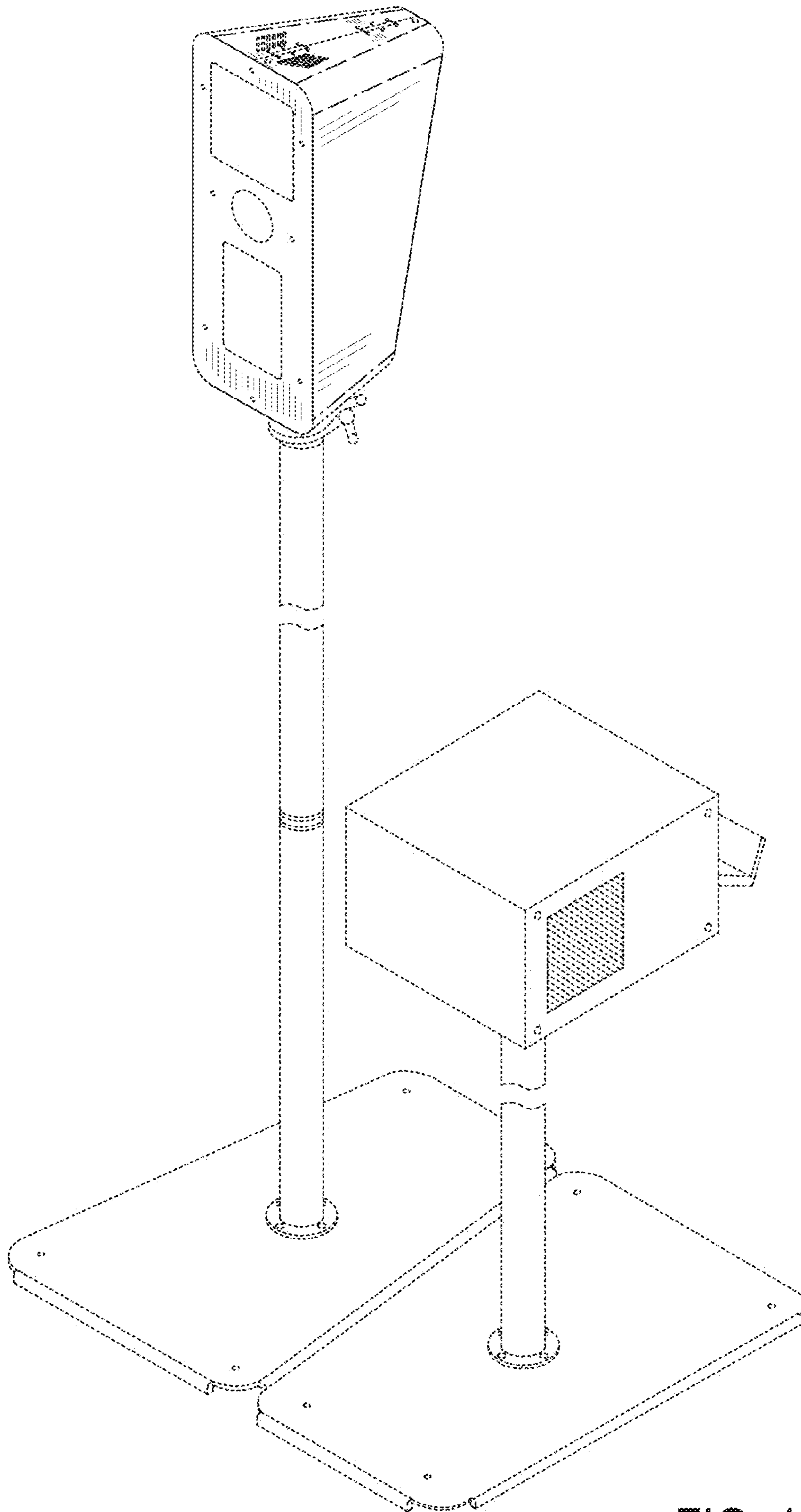


FIG. 15

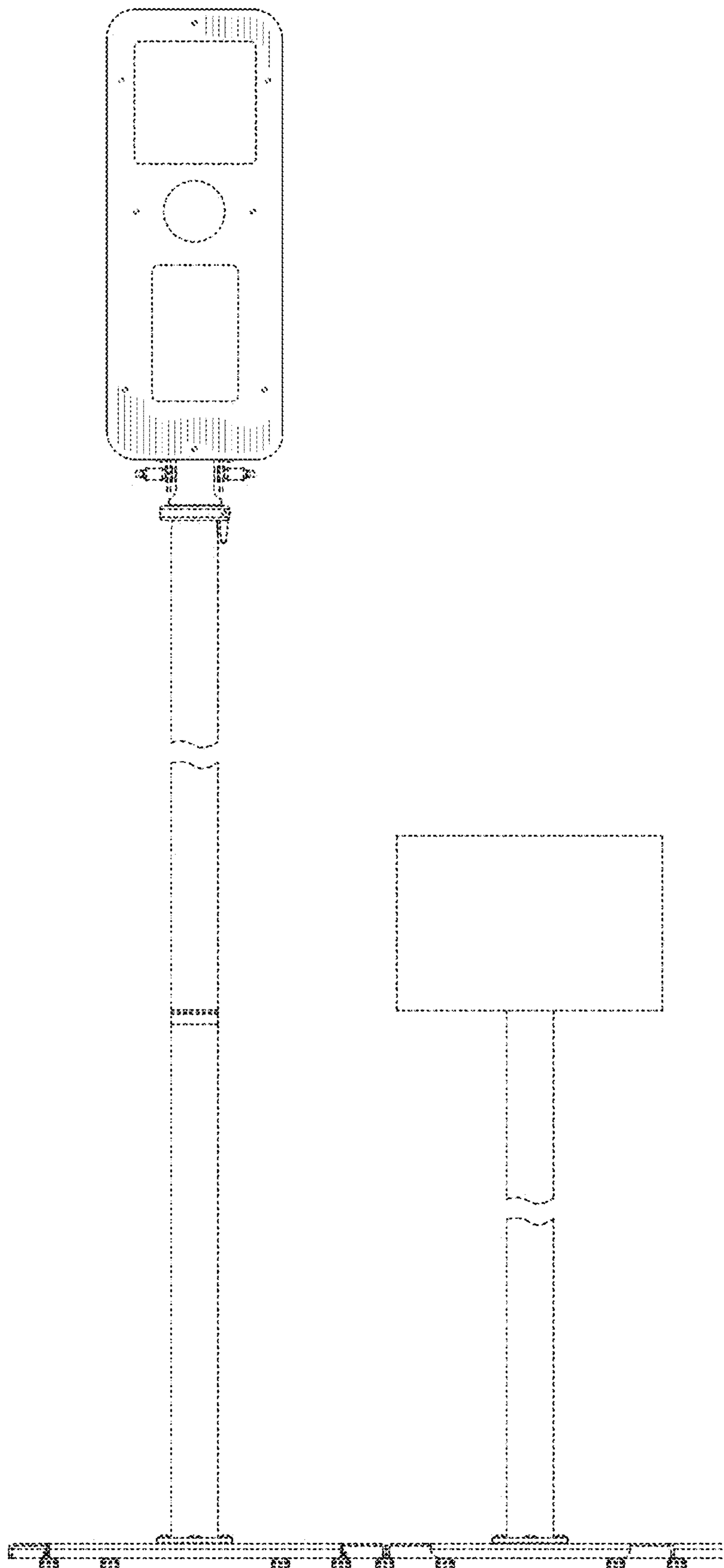


FIG. 16



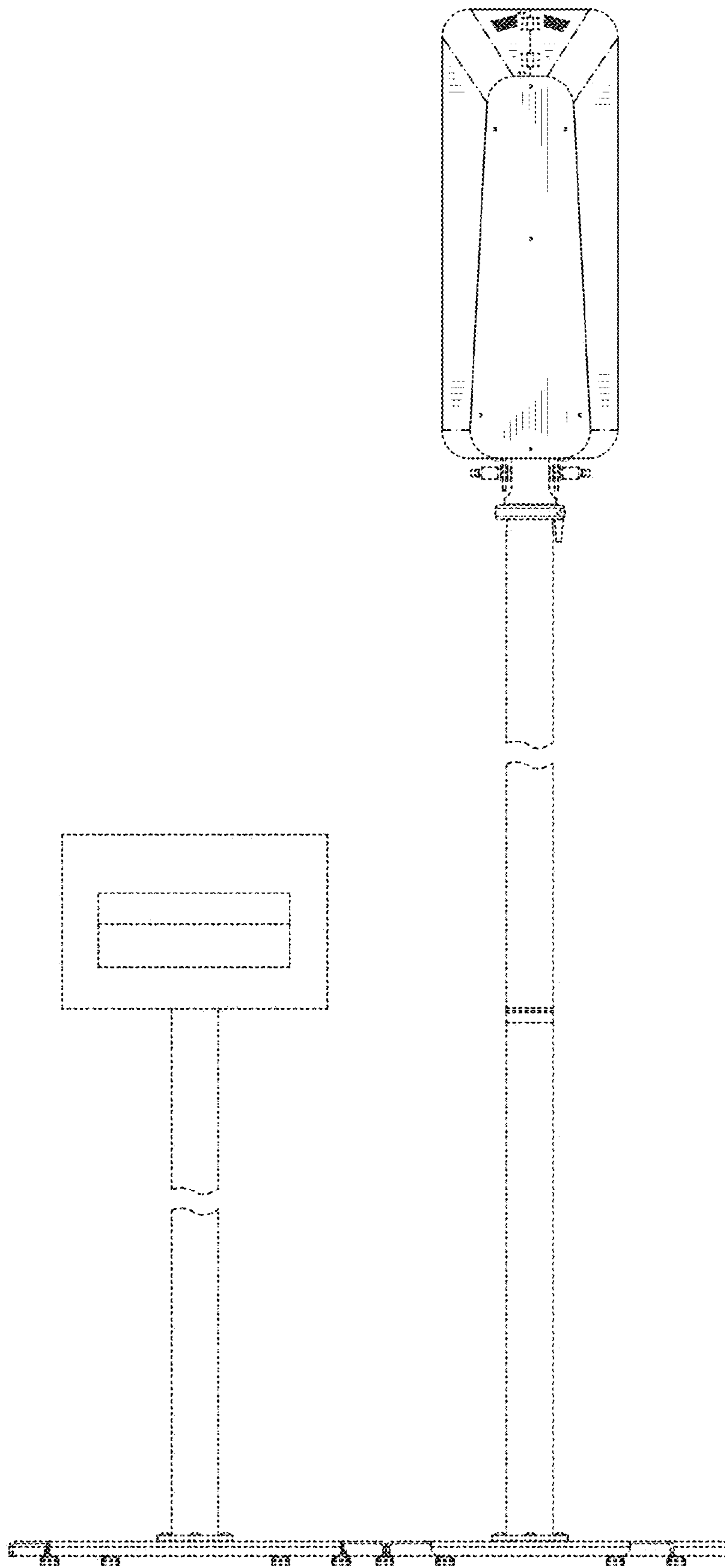


FIG. 17

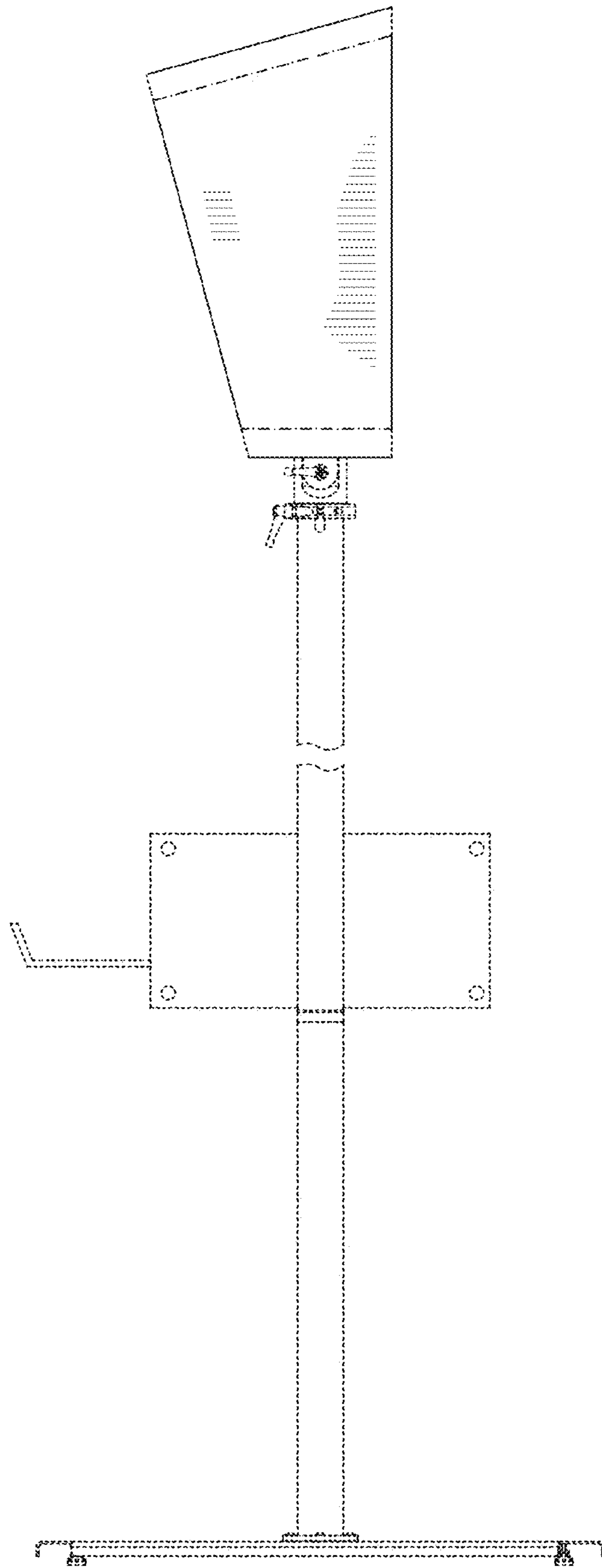


FIG. 18

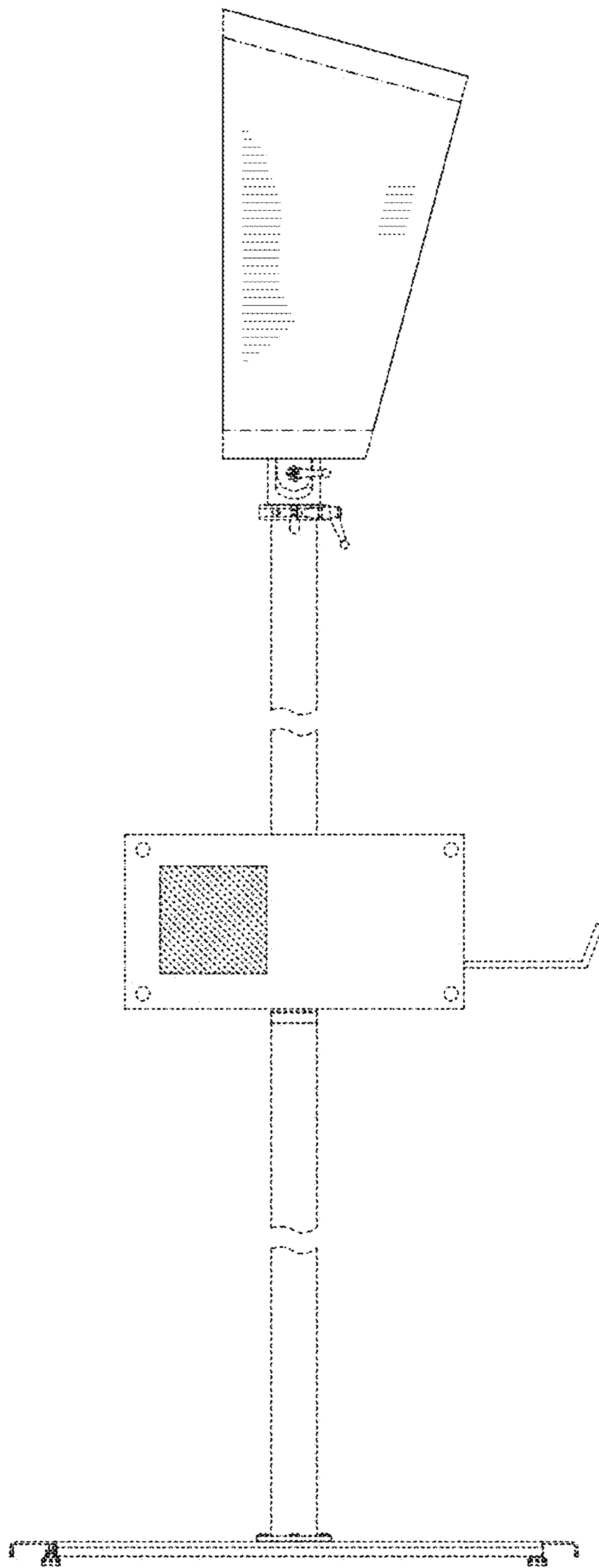


FIG. 19

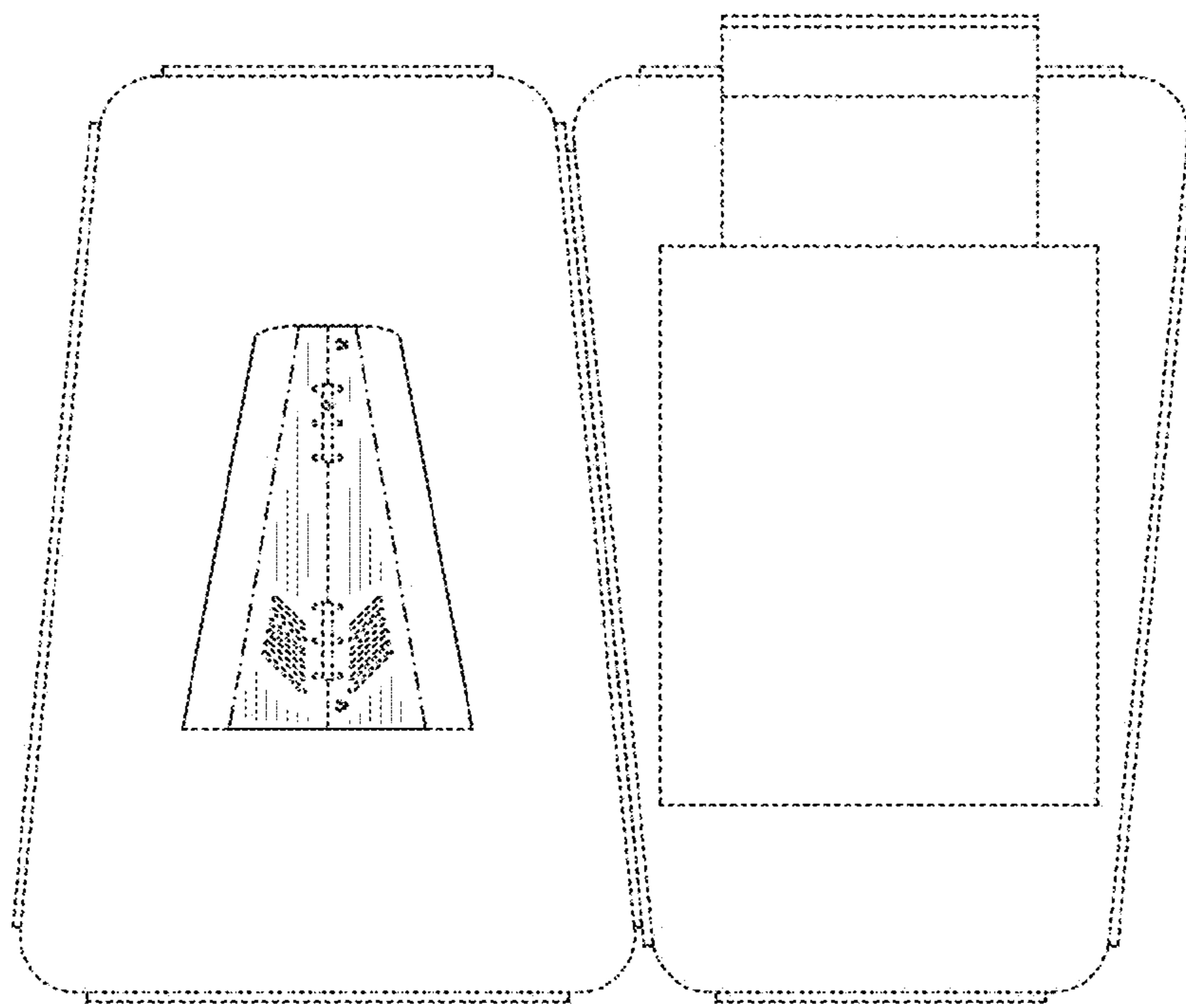


FIG. 20

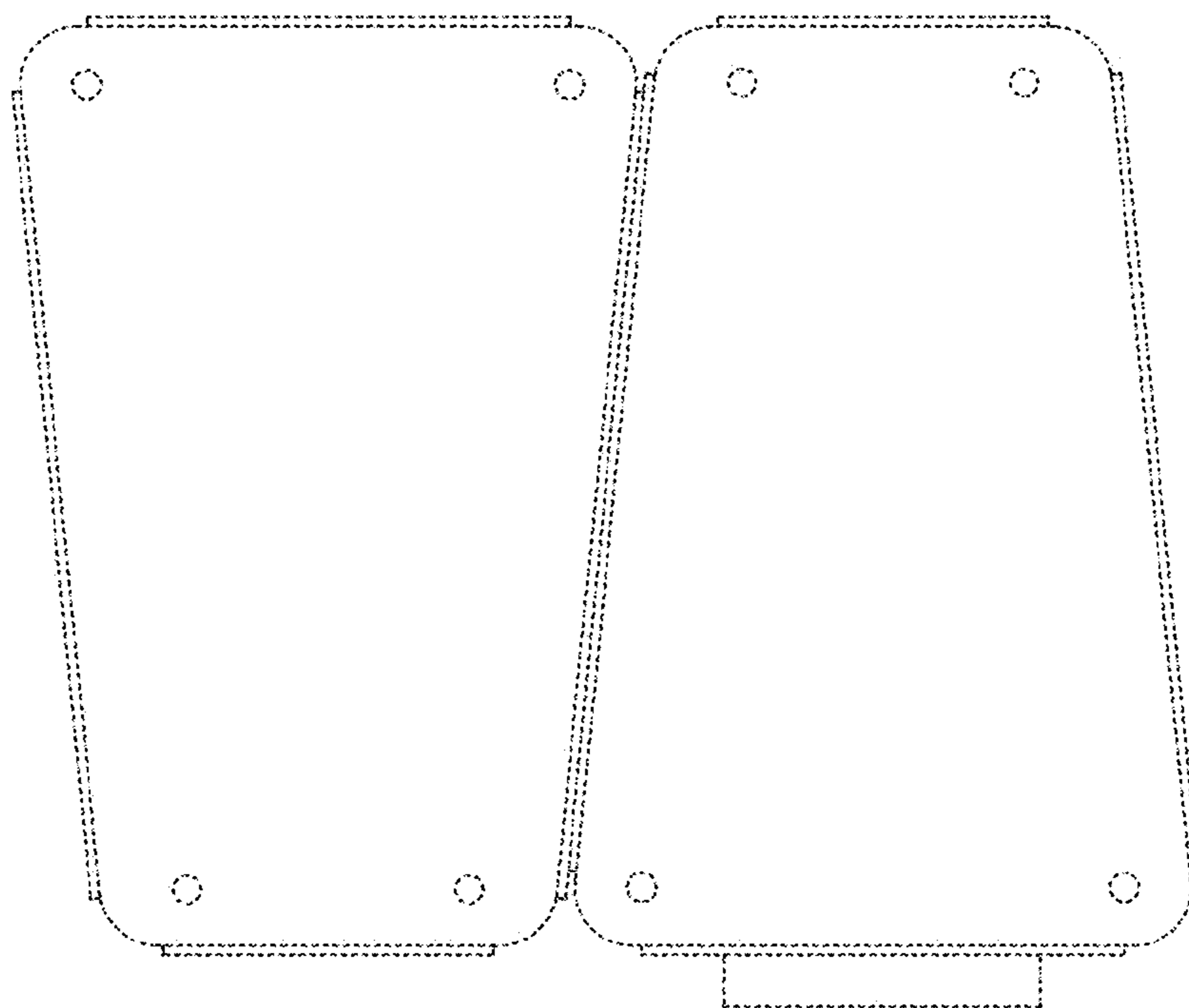


FIG. 21

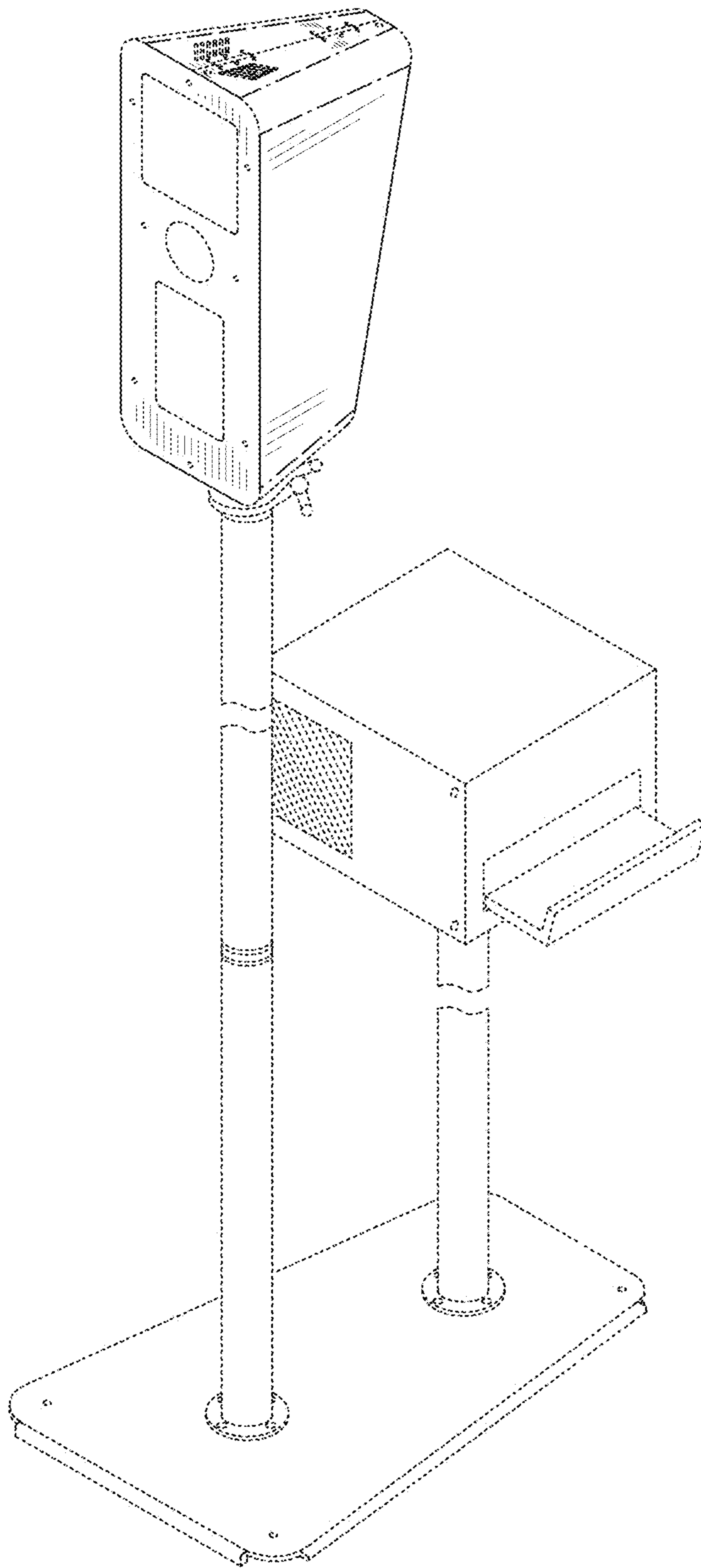


FIG. 22

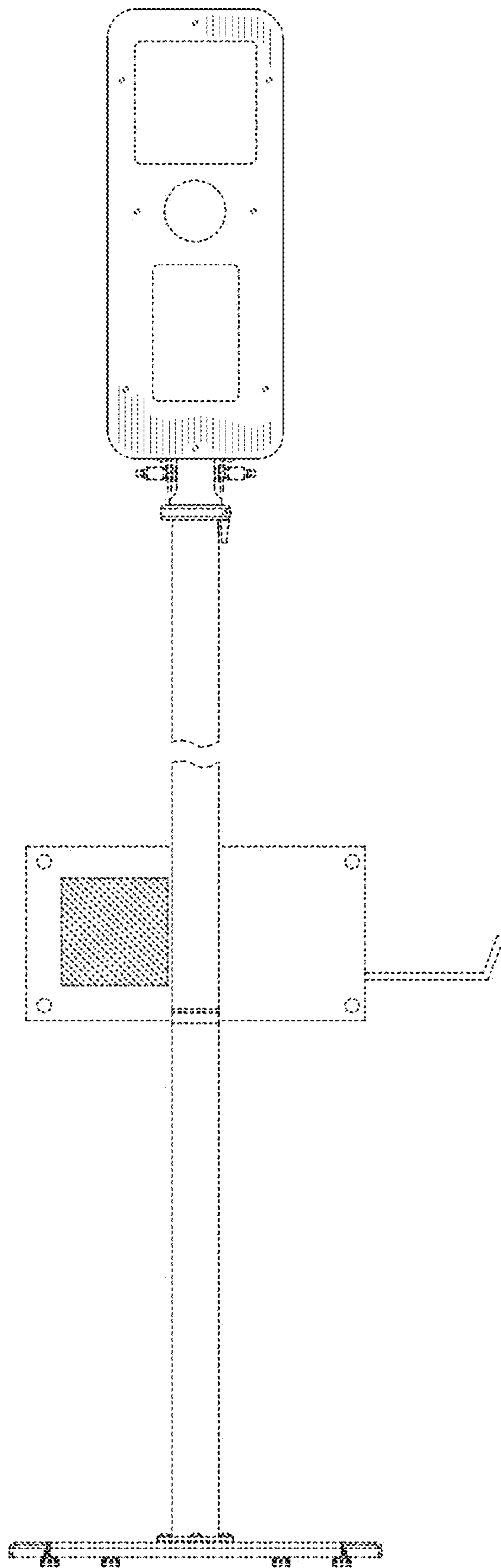


FIG. 23

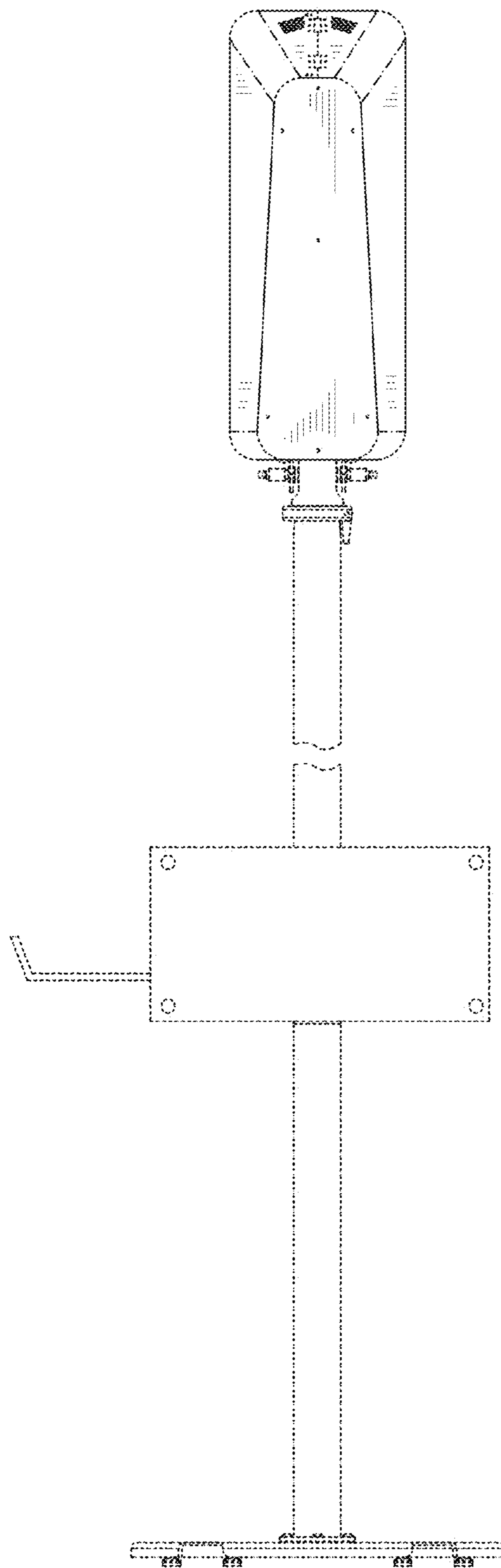


FIG. 24

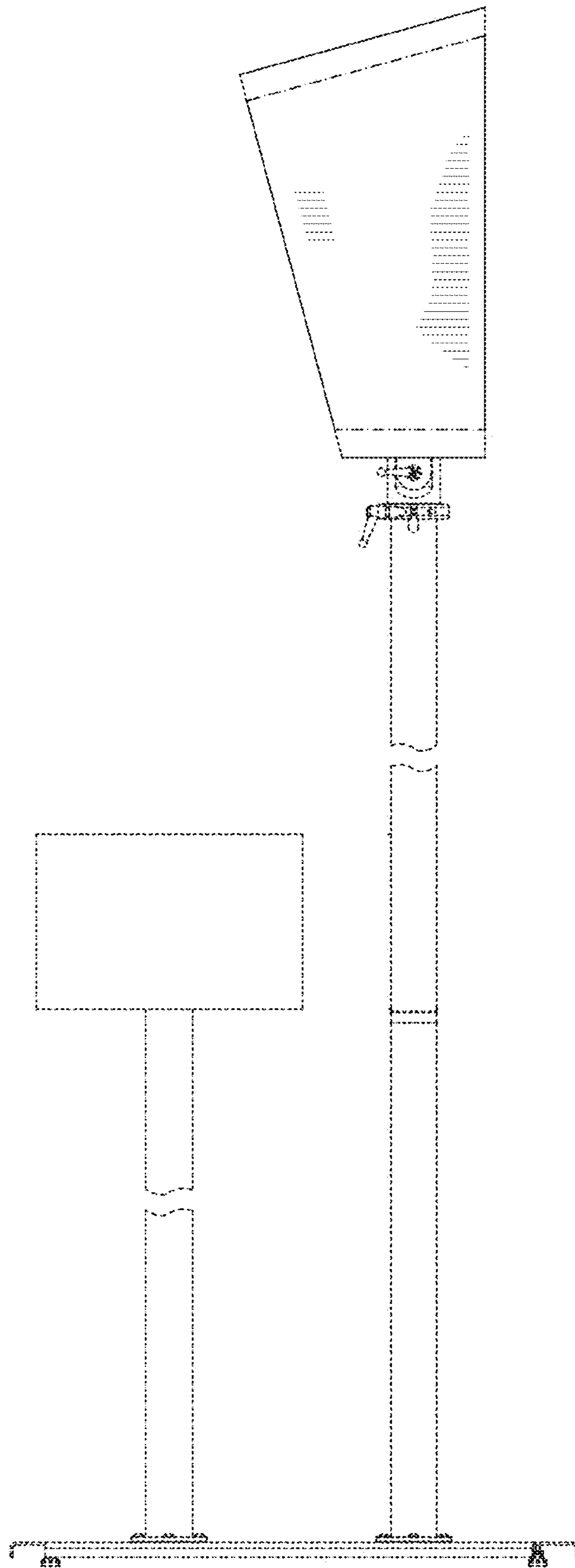


FIG. 25



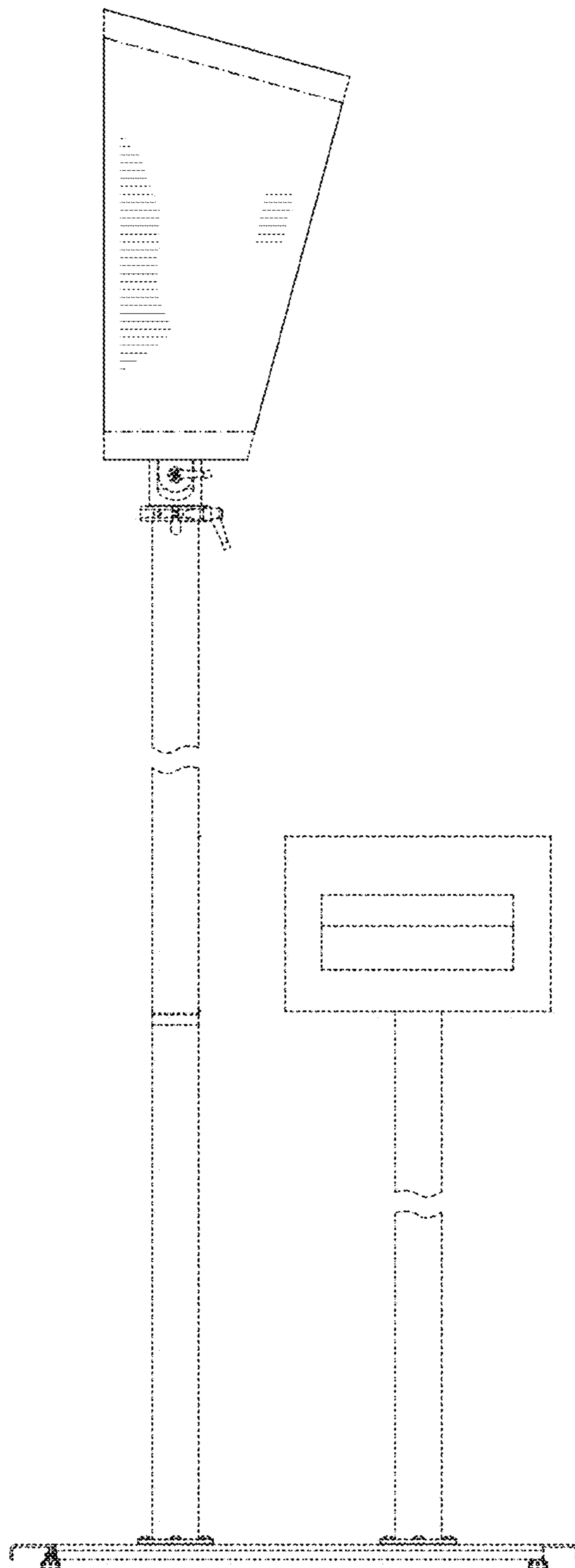


FIG. 26

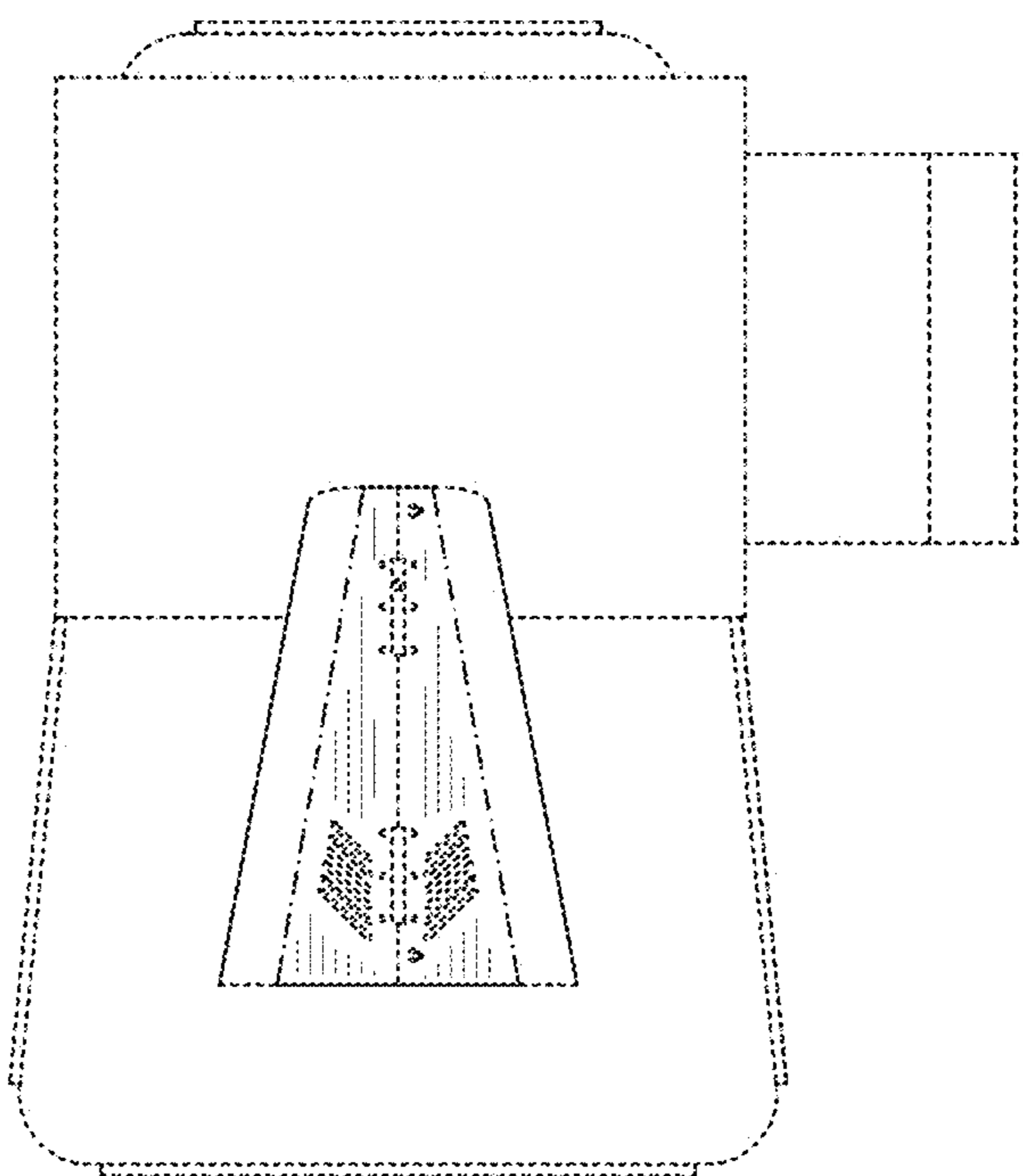


FIG. 27

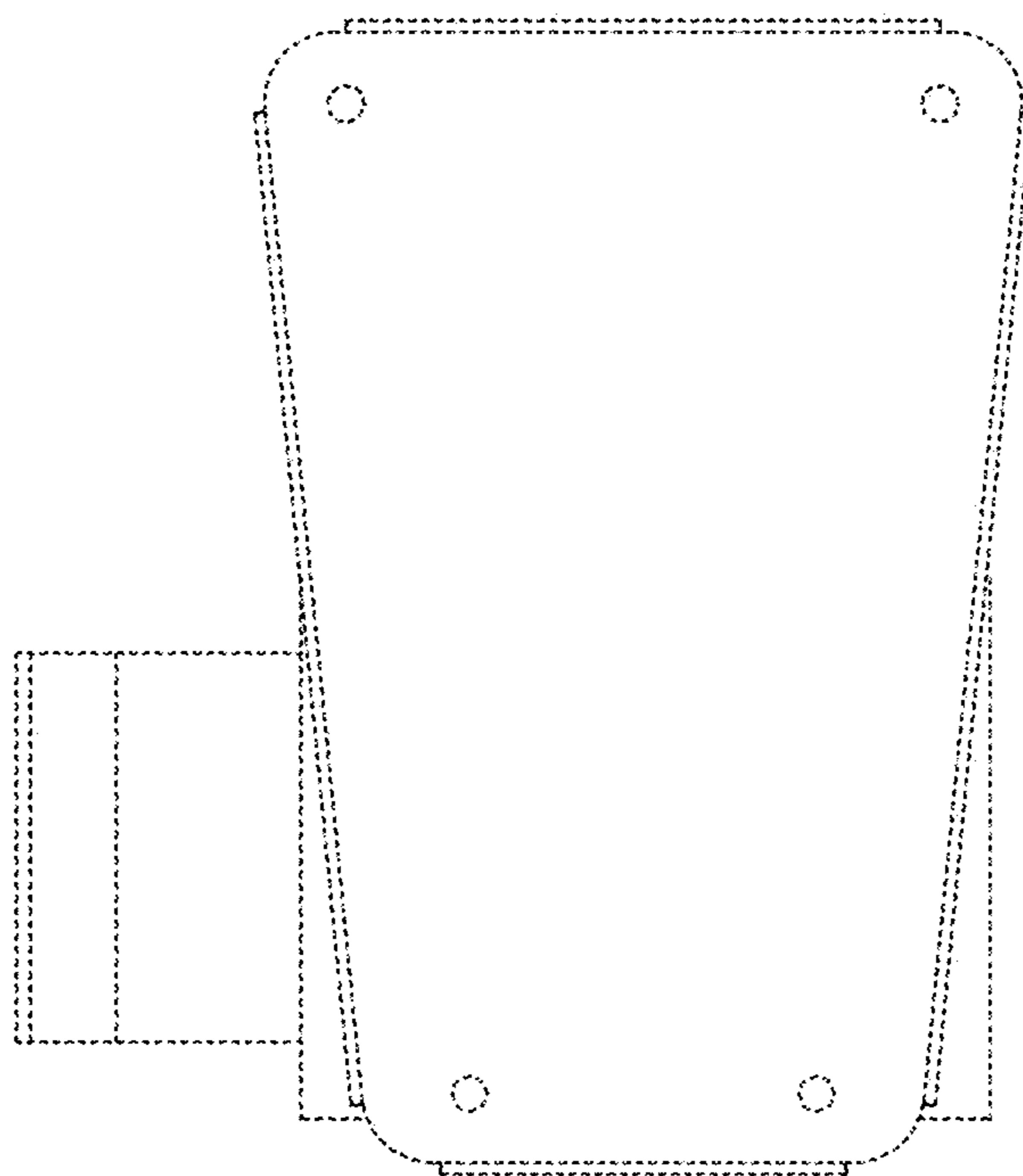


FIG. 28

UNITED STATES PATENT AND TRADEMARK OFFICE  
**CERTIFICATE OF CORRECTION**

PATENT NO. : D895,712 S  
APPLICATION NO. : 29/590653  
DATED : September 8, 2020  
INVENTOR(S) : Mark van Schalkwyk

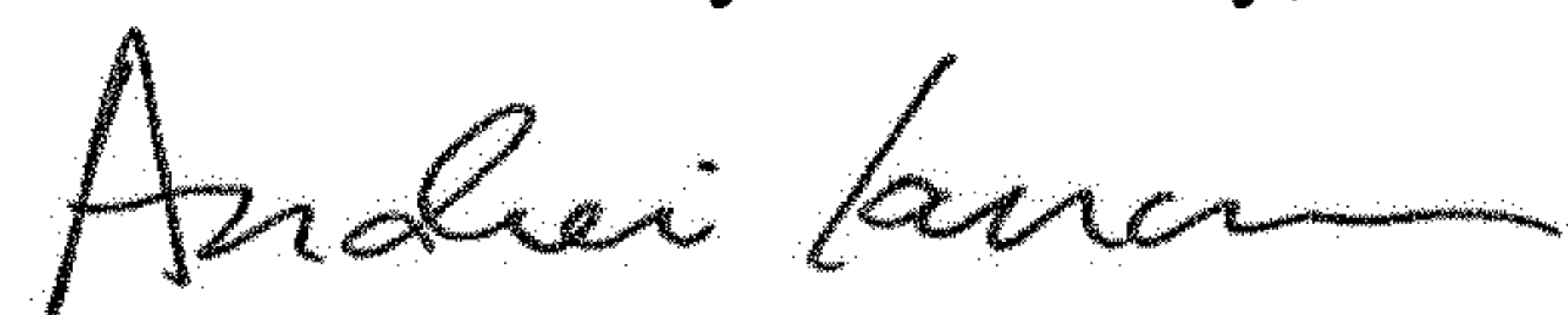
Page 1 of 1

It is certified that error appears in the above-identified patent and that said Letters Patent is hereby corrected as shown below:

In the Specification

In the Description, immediately below the description of FIG. 28, please insert the following sentence:  
-- The broken lines in the figures illustrate portions of the HOUSING AND SUPPORT FOR PICTURE CAPTURE APPARATUS AND/OR ACCESSORY that form no part of the claimed design. --

Signed and Sealed this  
Nineteenth Day of January, 2021



Andrei Iancu  
*Director of the United States Patent and Trademark Office*