



US00D895711S

(12) **United States Design Patent**
Hou et al.

(10) **Patent No.:** **US D895,711 S**
(45) **Date of Patent:** **** Sep. 8, 2020**

(54) **CAMERA COVER**

(71) Applicant: **TUSIMPLE, INC.**, San Diego, CA
(US)

(72) Inventors: **Xin Hou**, Beijing (CN); **Jie Sun**,
Beijing (CN)

(73) Assignee: **TUSIMPLE, INC.**, San Diego, CA
(US)

(**) Term: **15 Years**

(21) Appl. No.: **29/617,658**

(22) Filed: **Sep. 15, 2017**

(30) **Foreign Application Priority Data**

Apr. 25, 2017 (CN) 2017 3 0143609

(51) **LOC (12) Cl.** **16-01**

(52) **U.S. Cl.**
USPC **D16/200**

(58) **Field of Classification Search**

USPC D16/200–208, 210, 214, 218, 219, 242;
D10/65, 70, 74, 106.6; 348/373–376;
358/906; 396/419, 427, 428, 535,
396/539–541
CPC G03B 15/03; G03B 17/02; G03B 17/04;
G03B 17/56; G03B 19/04; H04N 5/2251;
H04N 5/2252; H04N 5/2253; H04N
5/2254; H04N 2101/00
See application file for complete search history.

(56) **References Cited**

U.S. PATENT DOCUMENTS

D453,177 S * 1/2002 Uehara D16/202
D460,978 S * 7/2002 Toste D16/203

D657,808 S * 4/2012 Woodman D16/200
D674,428 S * 1/2013 Woodman D16/207
D674,429 S * 1/2013 Woodman D16/207
8,544,643 B2 * 10/2013 Yim G03B 17/08
206/316.2
D696,707 S * 12/2013 Guastadini D16/202
D702,747 S * 4/2014 Woodman D16/200

* cited by examiner

Primary Examiner — Ramzi S Almatrahi

(74) *Attorney, Agent, or Firm* — Paul Liu; Perkins Coie
LLP

(57) **CLAIM**

The ornamental design for a camera cover, as shown and
described.

DESCRIPTION

Be it known that the inventor, Xin HOU, has invented a new,
original, and ornamental design for a camera cover, of which
the following is a specification, reference being had to the
accompanying drawings, forming a part thereof. A portion of
the disclosure of this patent document contains material to
which a claim for copyright is made. The copyright owner
has no objection to the facsimile reproduction by anyone of
the patent document or the patent disclosure, as it appears in
the Patent and Trademark Office patent file or records, but
reserves all other copyrights whatsoever.

FIG. 1 is a perspective view of a camera cover showing my
new design;

FIG. 2 is a front view thereof;

FIG. 3 is a rear view thereof;

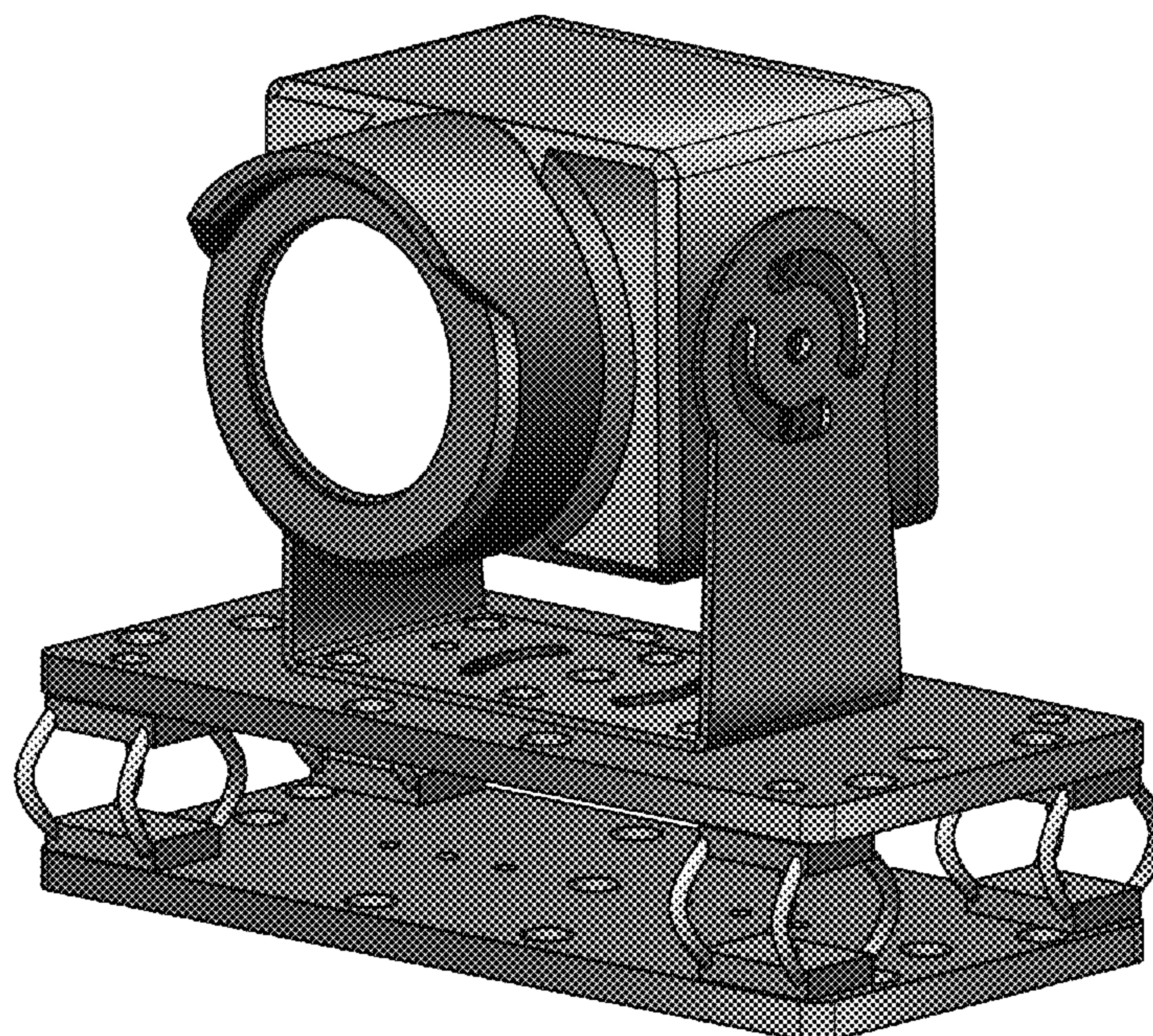
FIG. 4 is a left side view thereof;

FIG. 5 is a right side view thereof;

FIG. 6 is a top view thereof; and,

FIG. 7 is a bottom view thereof.

1 Claim, 7 Drawing Sheets



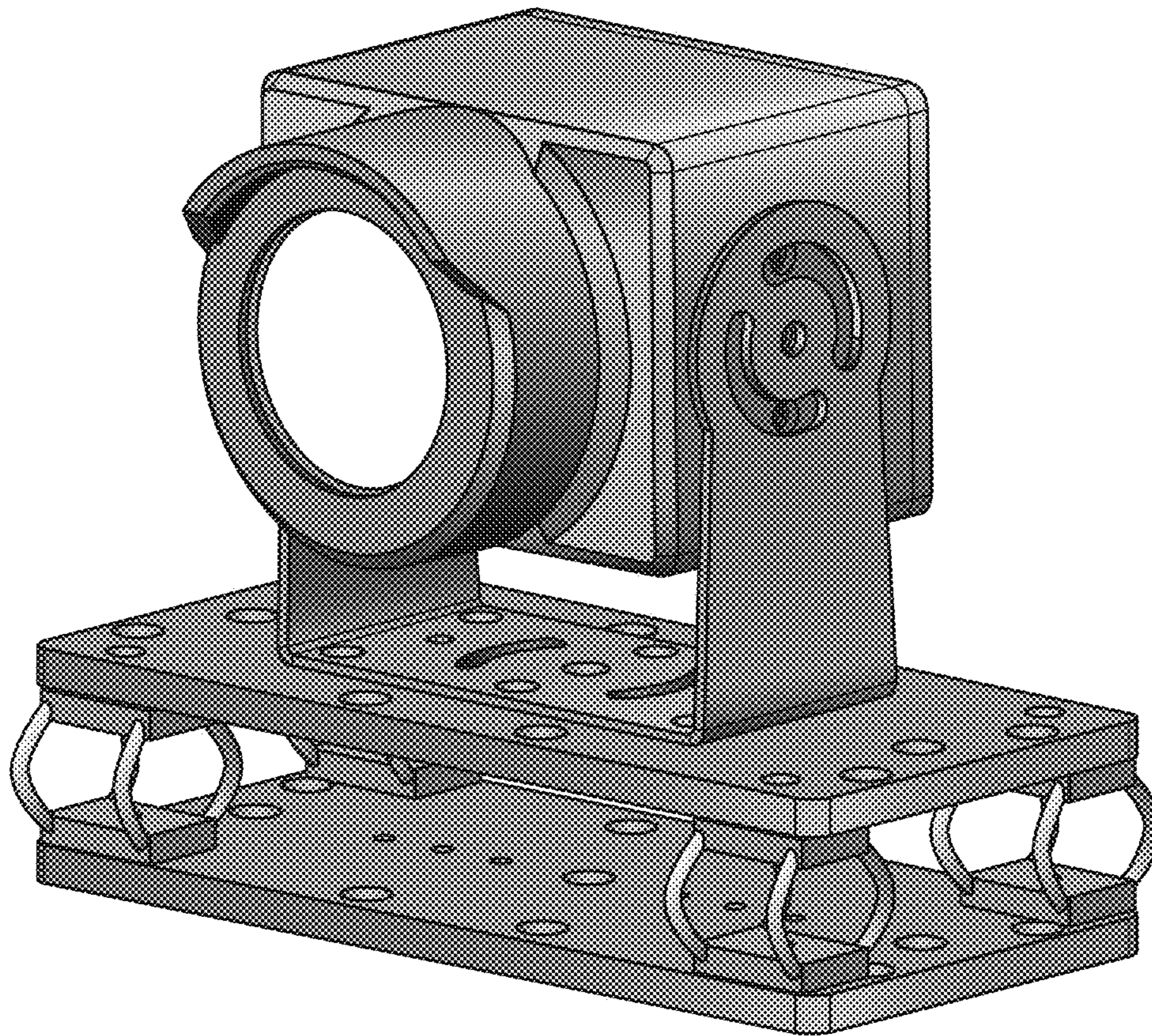


FIG. 1

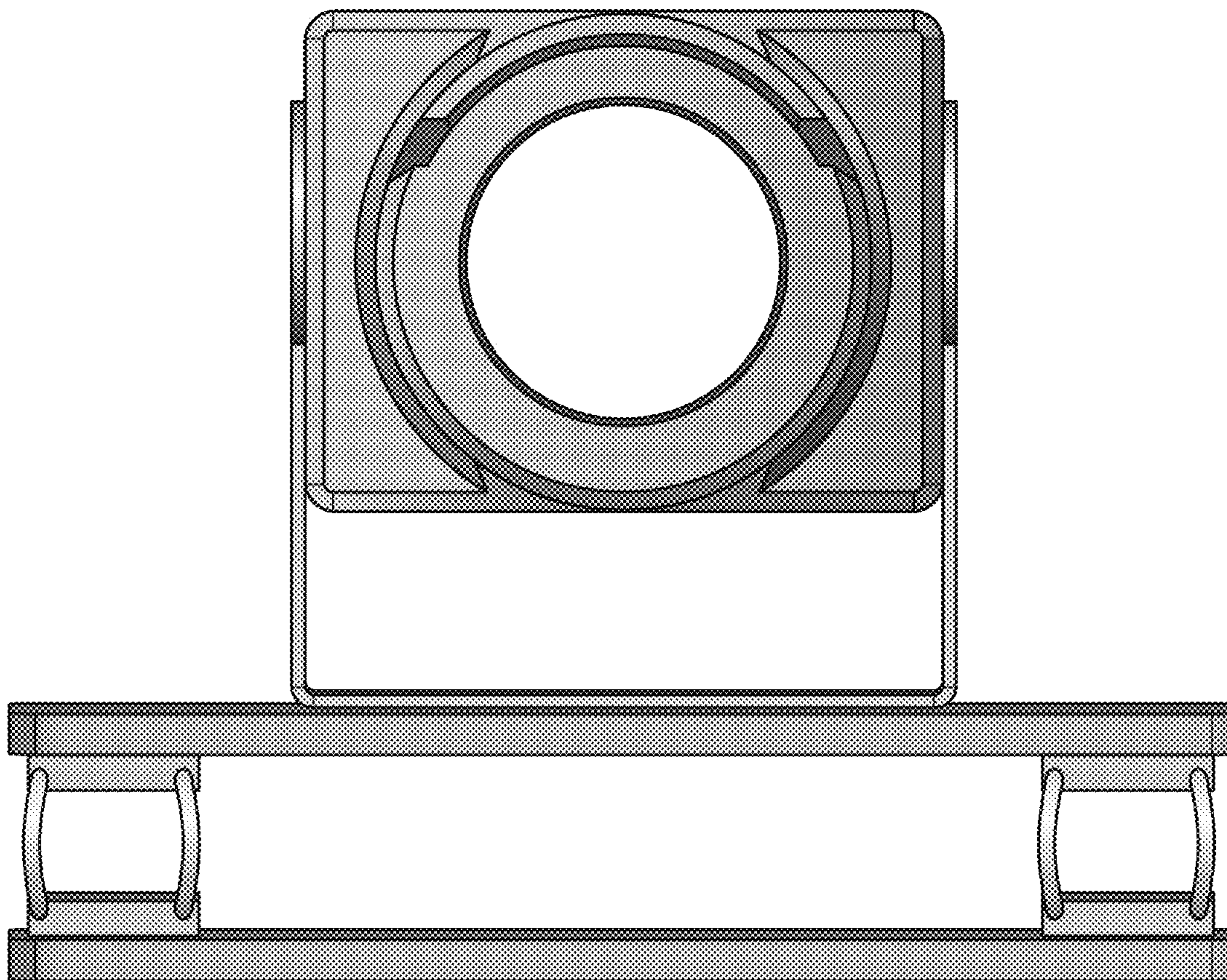


FIG. 2

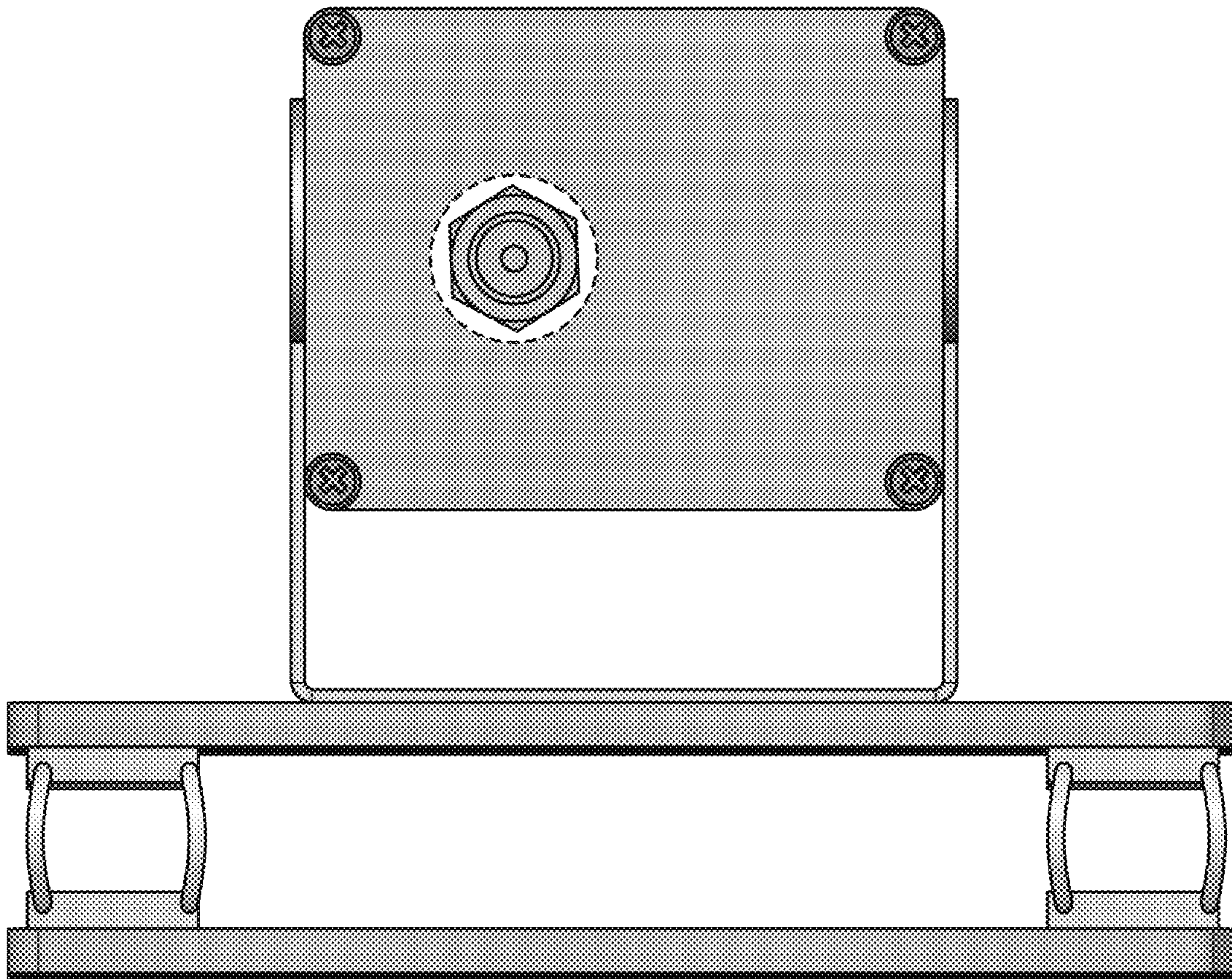


FIG. 3

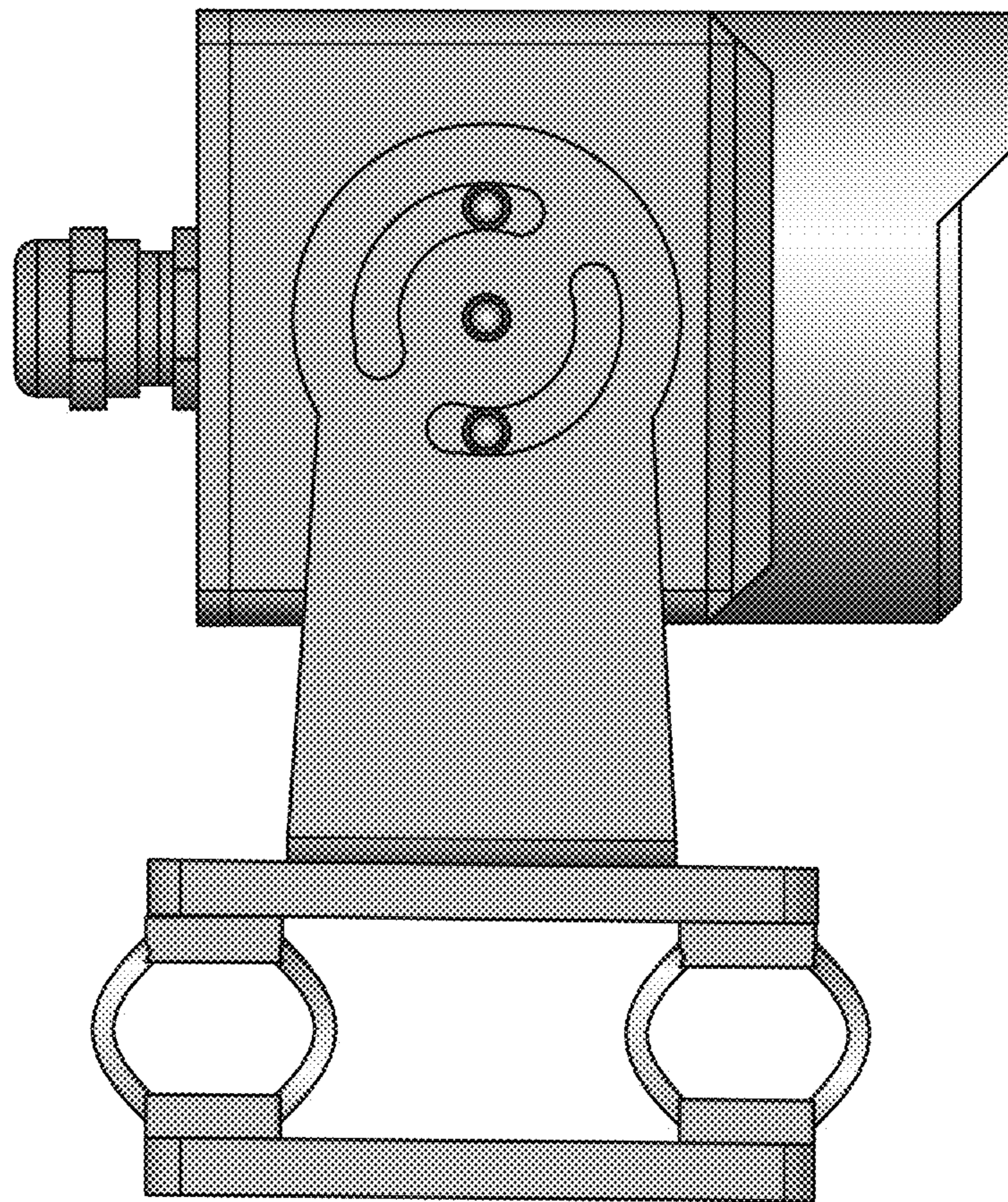


FIG. 4

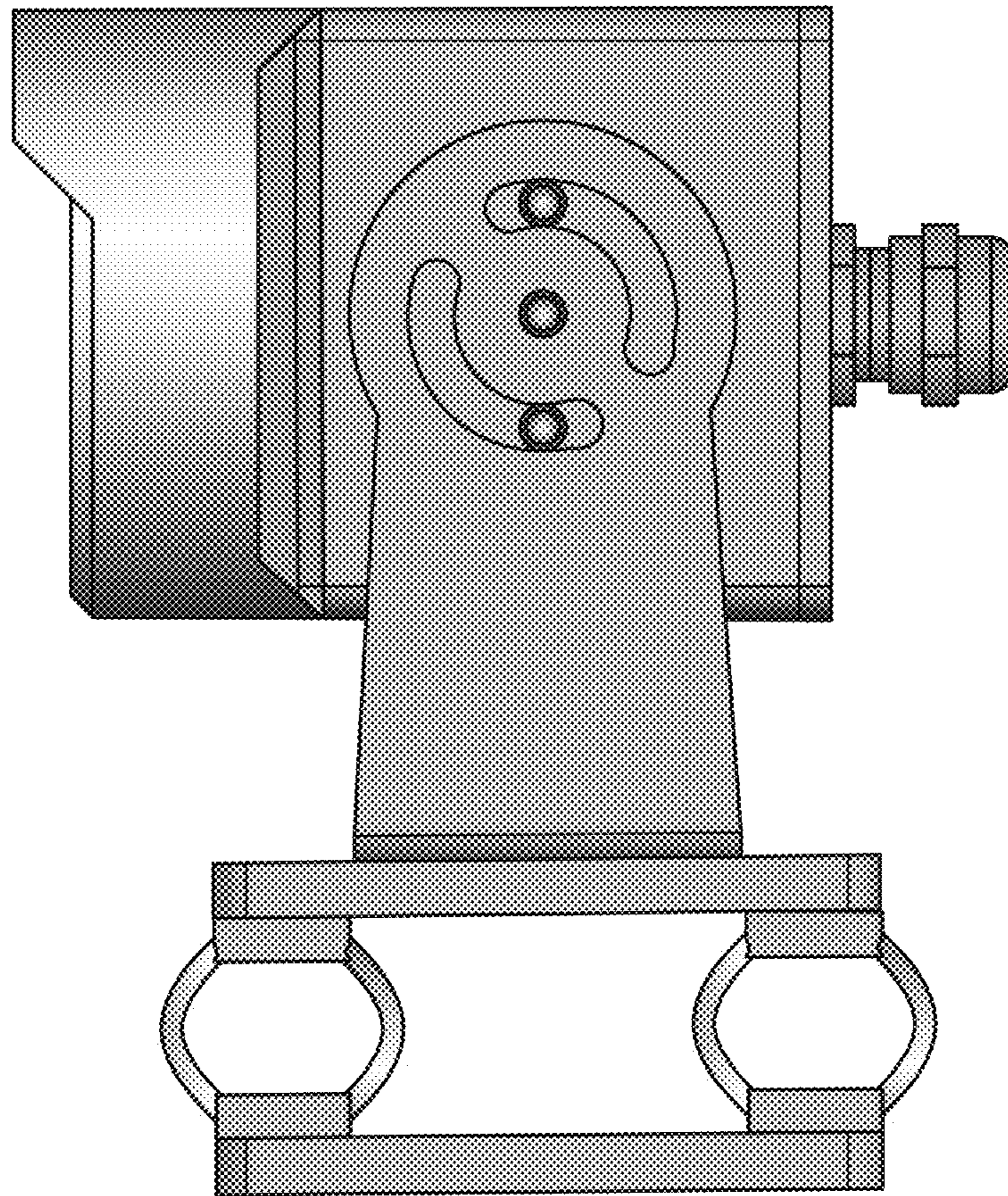


FIG. 5

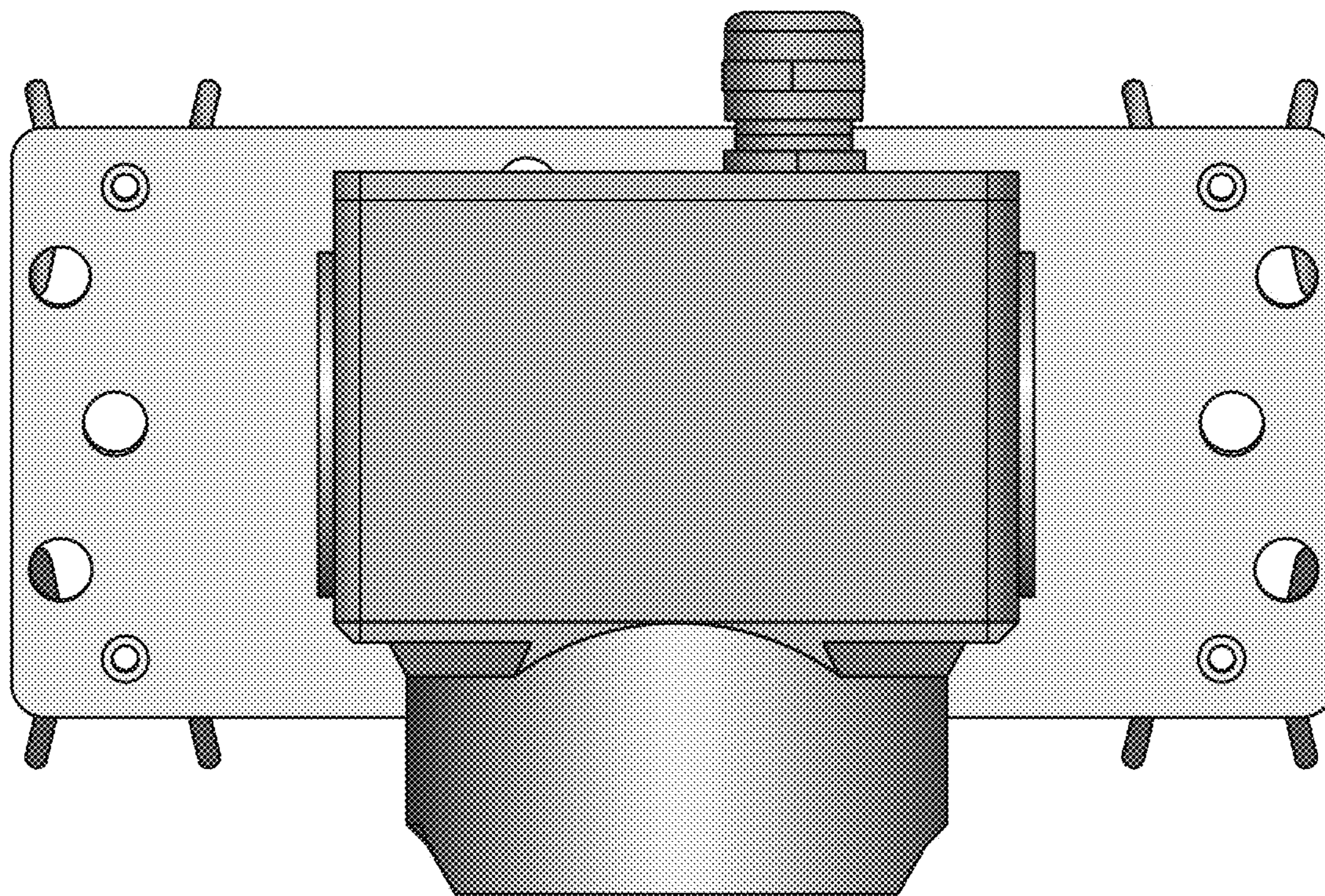


FIG. 6

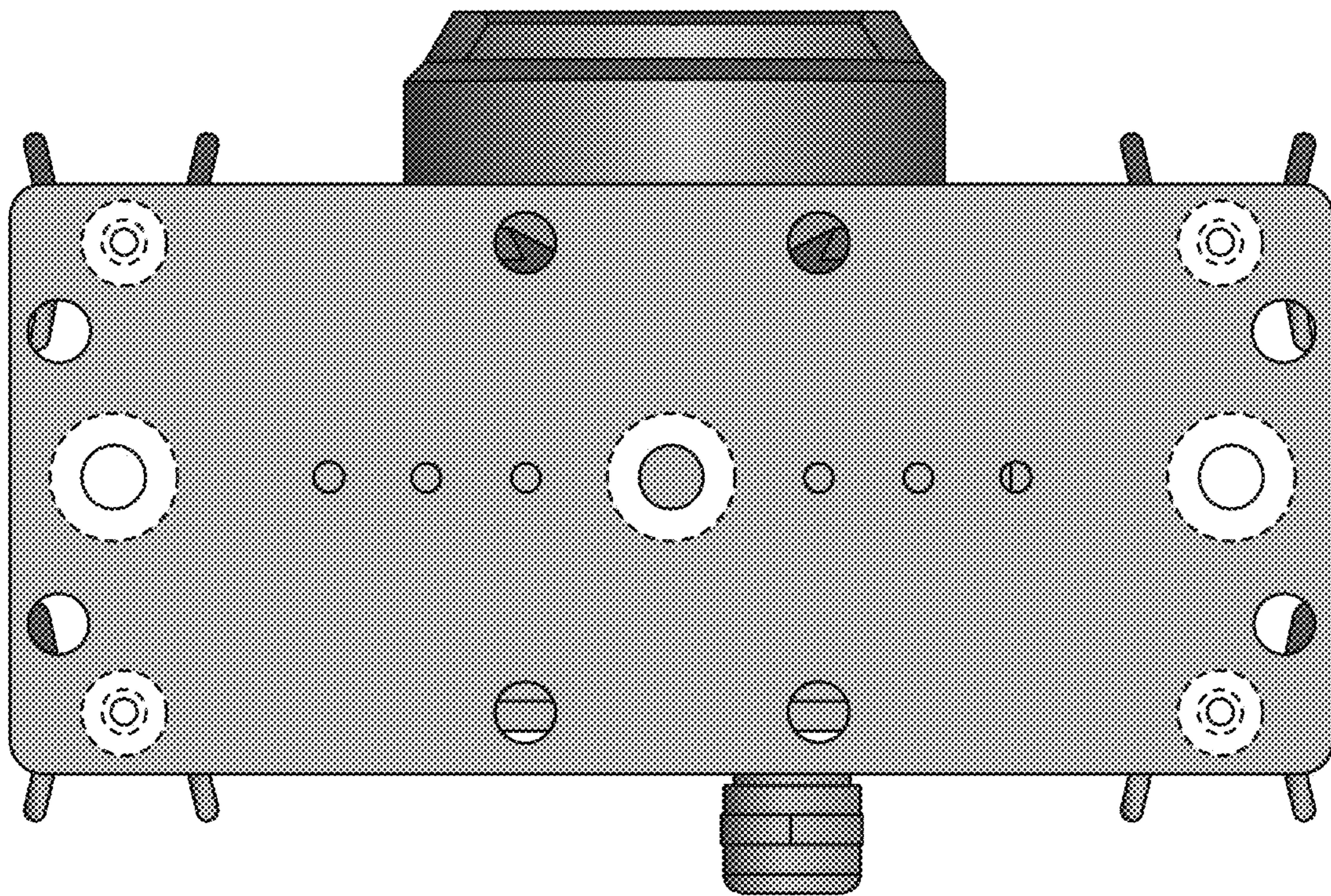


FIG. 7