



US00D895710S

(12) **United States Design Patent** (10) **Patent No.:** **US D895,710 S**  
**Apothéloz** (45) **Date of Patent:** **\*\* Sep. 8, 2020**

- (54) **STAND AND PIVOT UNIT**
- (71) Applicant: **Leica Microsystems (Schweiz) AG,**  
Heerbrugg (CH)
- (72) Inventor: **Christophe Apothéloz,** Zurich (CH)
- (73) Assignee: **Leica Microsystems (Schweiz) AG,**  
Heerbrugg (CH)
- (\*\*) Term: **15 Years**
- (21) Appl. No.: **29/657,239**
- (22) Filed: **Jul. 20, 2018**

D345,748 S	4/1994	Holbl	
D354,761 S	1/1995	Komatsuzaki et al.	
D389,163 S	1/1998	Hofmann-Igl	
D400,548 S	11/1998	Komatsuzaki	
D425,921 S	5/2000	Hoelbl et al.	
D429,265 S	8/2000	Hoelbl et al.	
D444,159 S	6/2001	Hoelbl et al.	
D457,901 S	5/2002	Lo	
D498,247 S	11/2004	Suzuki et al.	
D507,006 S	7/2005	Apotheloz et al.	
D516,595 S	3/2006	Apothéloz et al.	
D540,835 S	4/2007	Apothéloz	
D546,357 S	7/2007	Apothéloz	
D673,199 S	* 12/2012	Muraki	D16/131
D738,415 S	* 9/2015	Hofmann	D16/131
D743,463 S	11/2015	Hofmann et al.	
D783,699 S	4/2017	Apothéloz	

(Continued)

**Related U.S. Application Data**

- (62) Division of application No. 29/542,687, filed on Oct. 16, 2015, now Pat. No. Des. 826,304.

**Foreign Application Priority Data**

- Apr. 17, 2015 (EM) ..... 002683813
- (51) **LOC (12) Cl.** ..... **16-06**
- (52) **U.S. Cl.**  
USPC ..... **D16/131**
- (58) **Field of Classification Search**  
USPC ..... D16/130-136; D22/100, 108, 109, 110,  
D22/199  
CPC ..... F41G 3/08  
See application file for complete search history.

**References Cited**

**U.S. PATENT DOCUMENTS**

- D191,330 S \* 9/1961 Armbruster ..... D16/131
- D198,104 S 4/1964 Armbruster
- D252,276 S 7/1979 Griffith
- D260,402 S 8/1981 Hodgson
- D290,129 S 6/1987 Kahute
- D291,702 S 9/1987 Kahute

*Primary Examiner* — Holly E Thurman

(74) *Attorney, Agent, or Firm* — Crowell & Moring LLP

(57) **CLAIM**

The ornamental design for a stand and pivot unit, as shown and described.

**DESCRIPTION**

This application contains subject matter related to the following co-pending U.S. design patent application: application Ser. No. 29/542,684, filed Oct. 16, 2015 and entitled "MICROSCOPE."

FIG. 1 is a front view of a stand and pivot unit according to the design;

FIG. 2 is a left side view thereof;

FIG. 3 is a right side view thereof;

FIG. 4 is a rear view thereof;

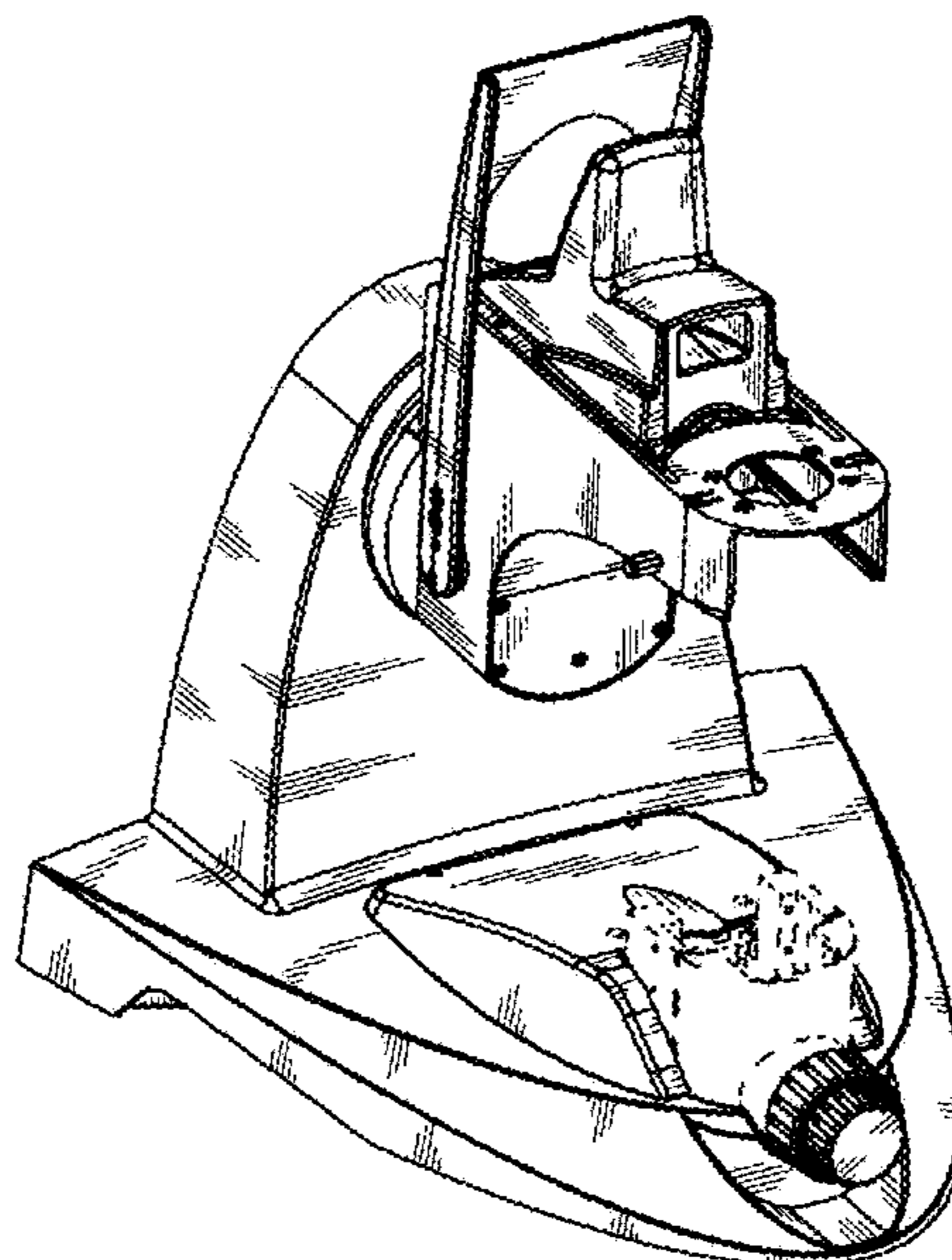
FIG. 5 is a front, left perspective view thereof;

FIG. 6 is a top view thereof; and,

FIG. 7 is a bottom view thereof.

The broken lines are for illustrative purposes only and form no part of the claimed design.

**1 Claim, 7 Drawing Sheets**



(56)

**References Cited**

U.S. PATENT DOCUMENTS

D812,664 S	3/2018	Apothéloz	
D819,104 S *	5/2018	Stohr .....	D16/131
D849,816 S *	5/2019	Klein .....	D16/131
D859,487 S *	9/2019	Chen .....	D16/131
D866,630 S *	11/2019	Chen .....	D16/131

\* cited by examiner

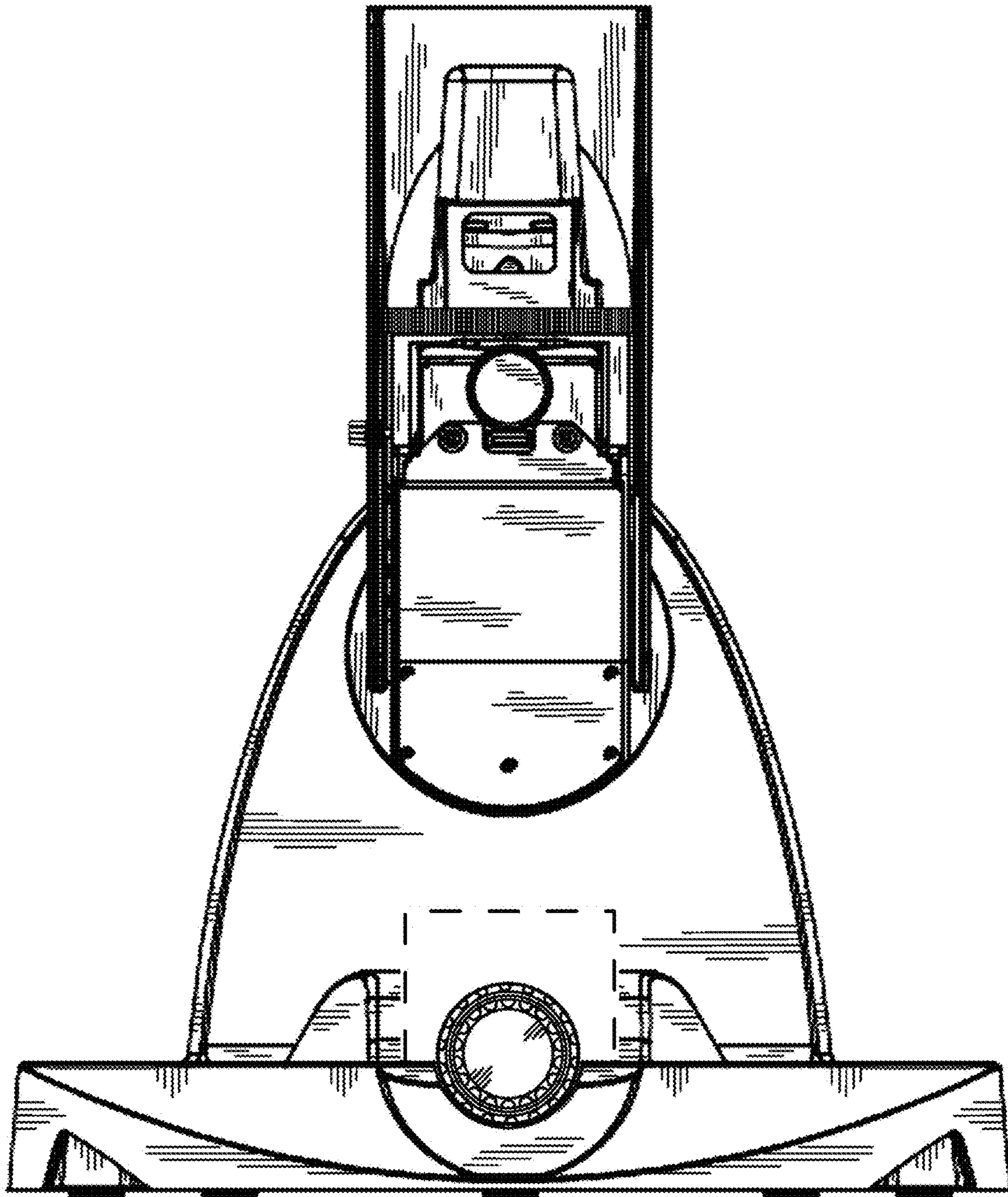


Fig. 1

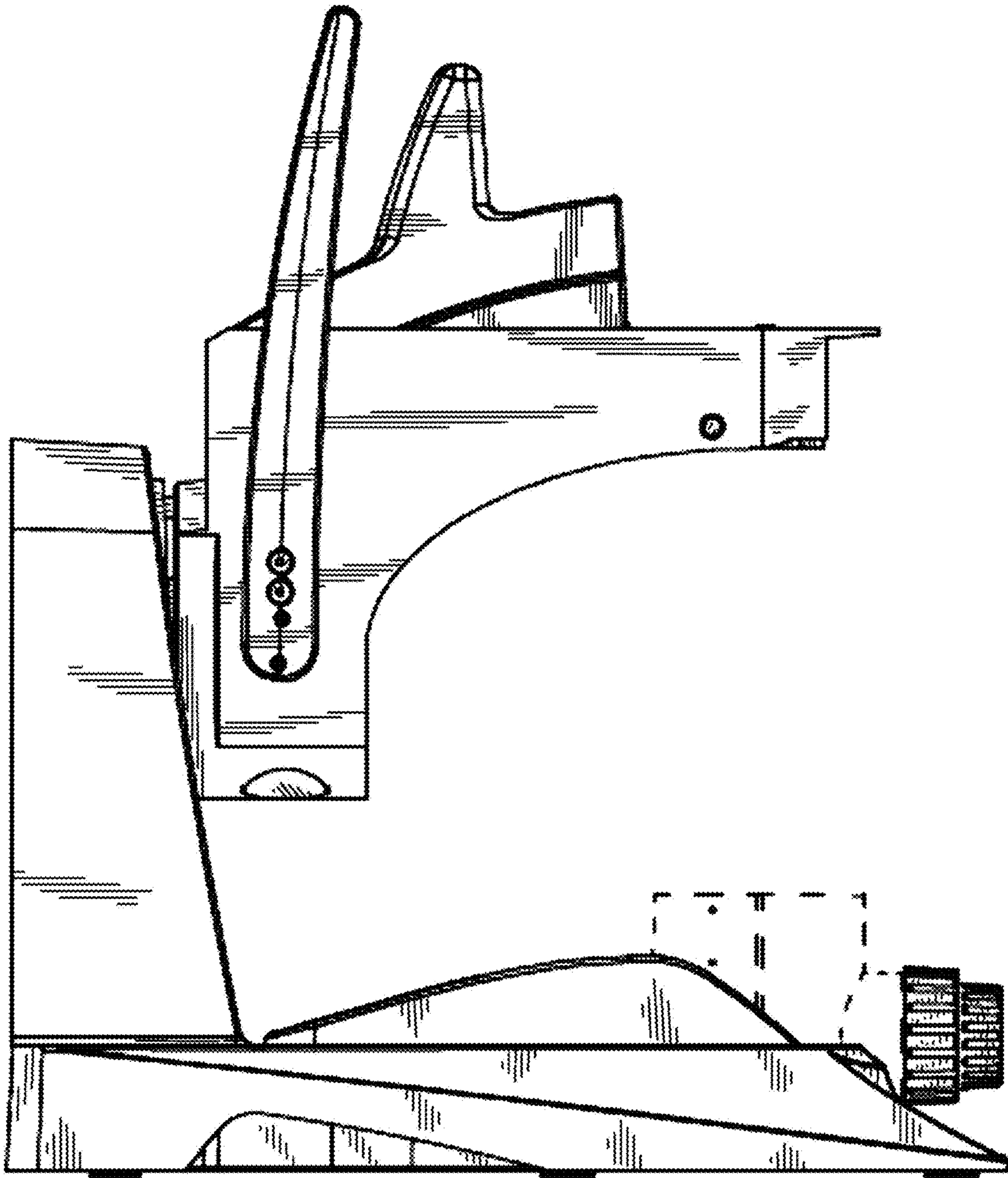


Fig. 2

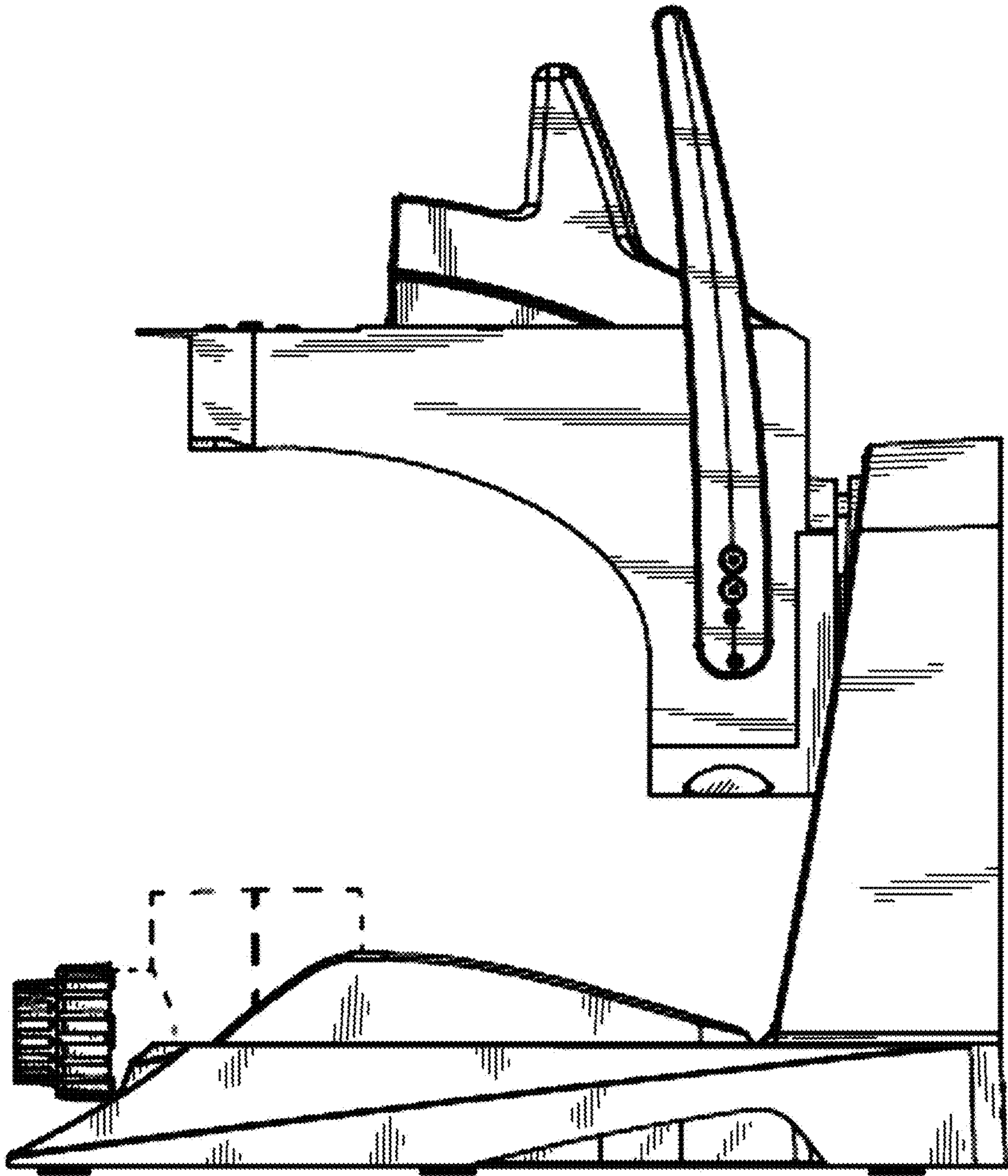


Fig. 3

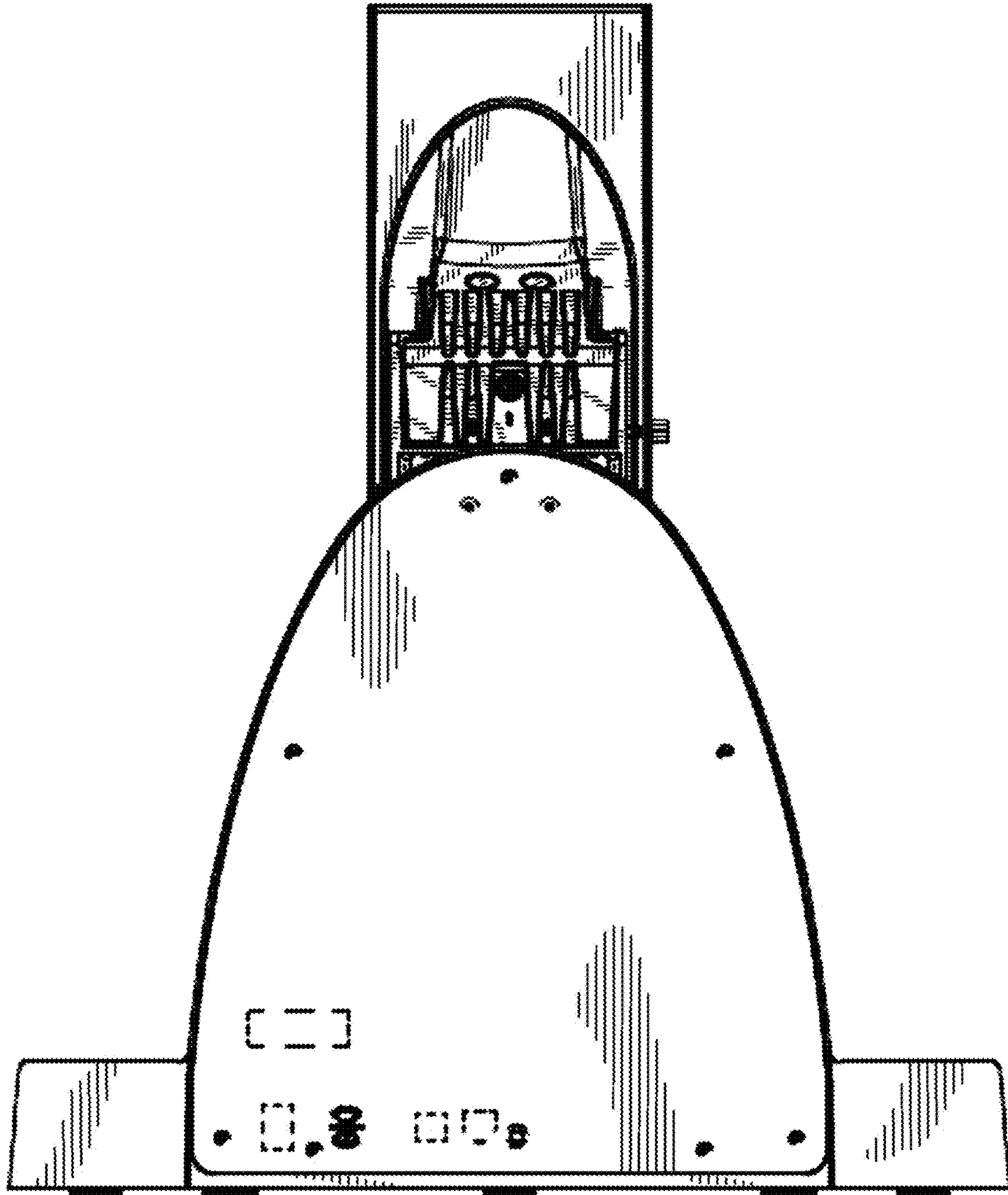


Fig. 4

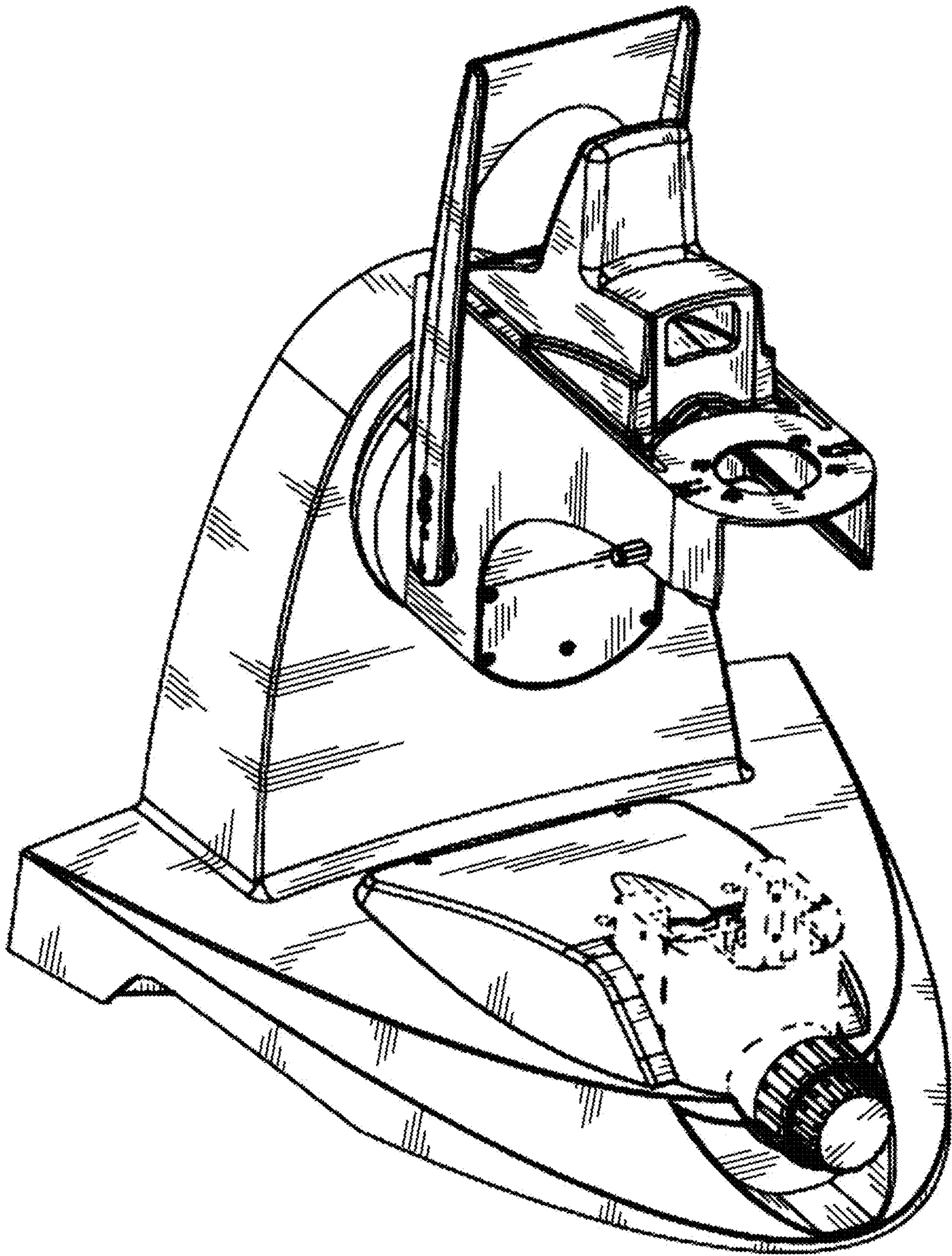


Fig. 5

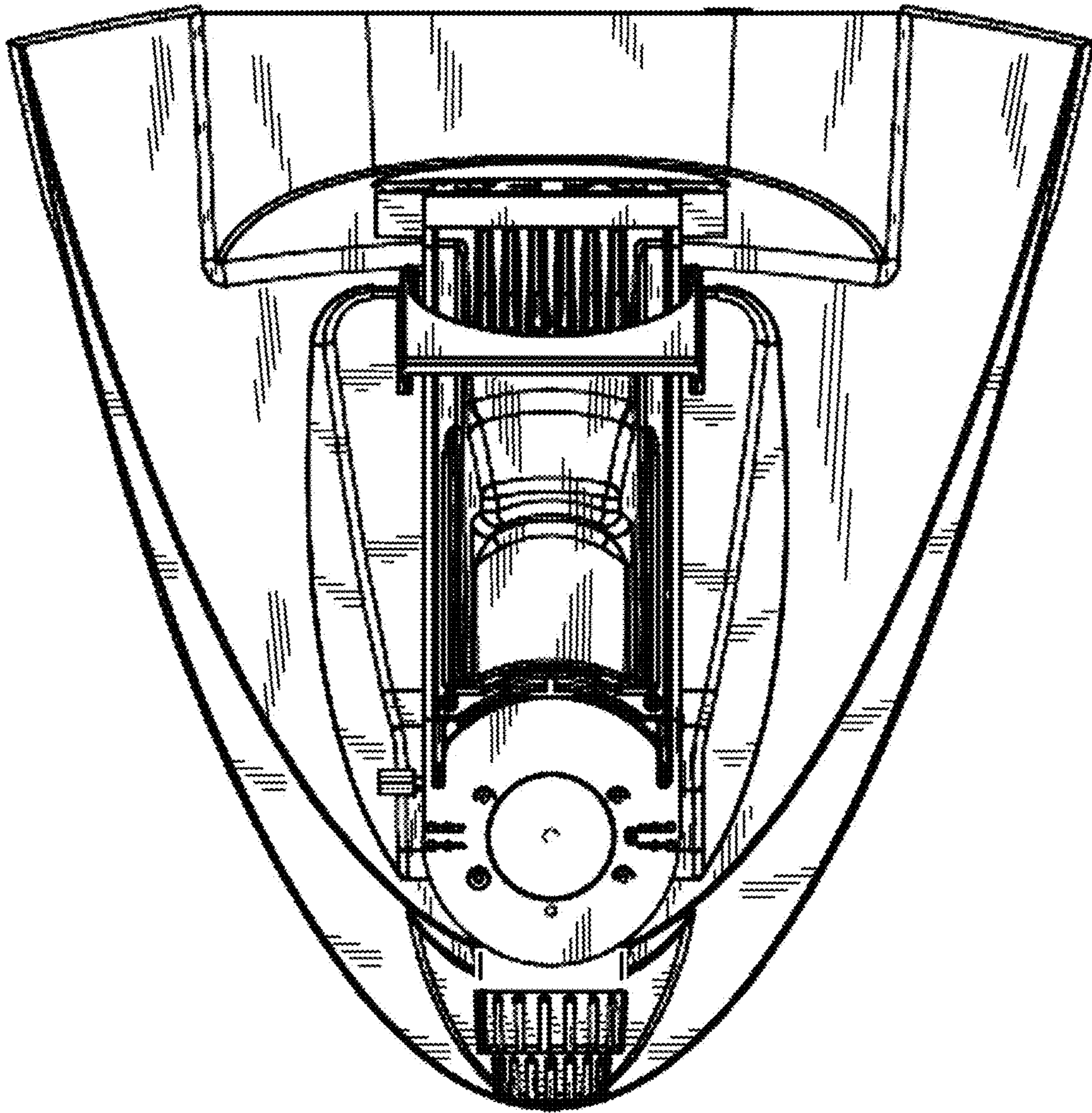


Fig. 6



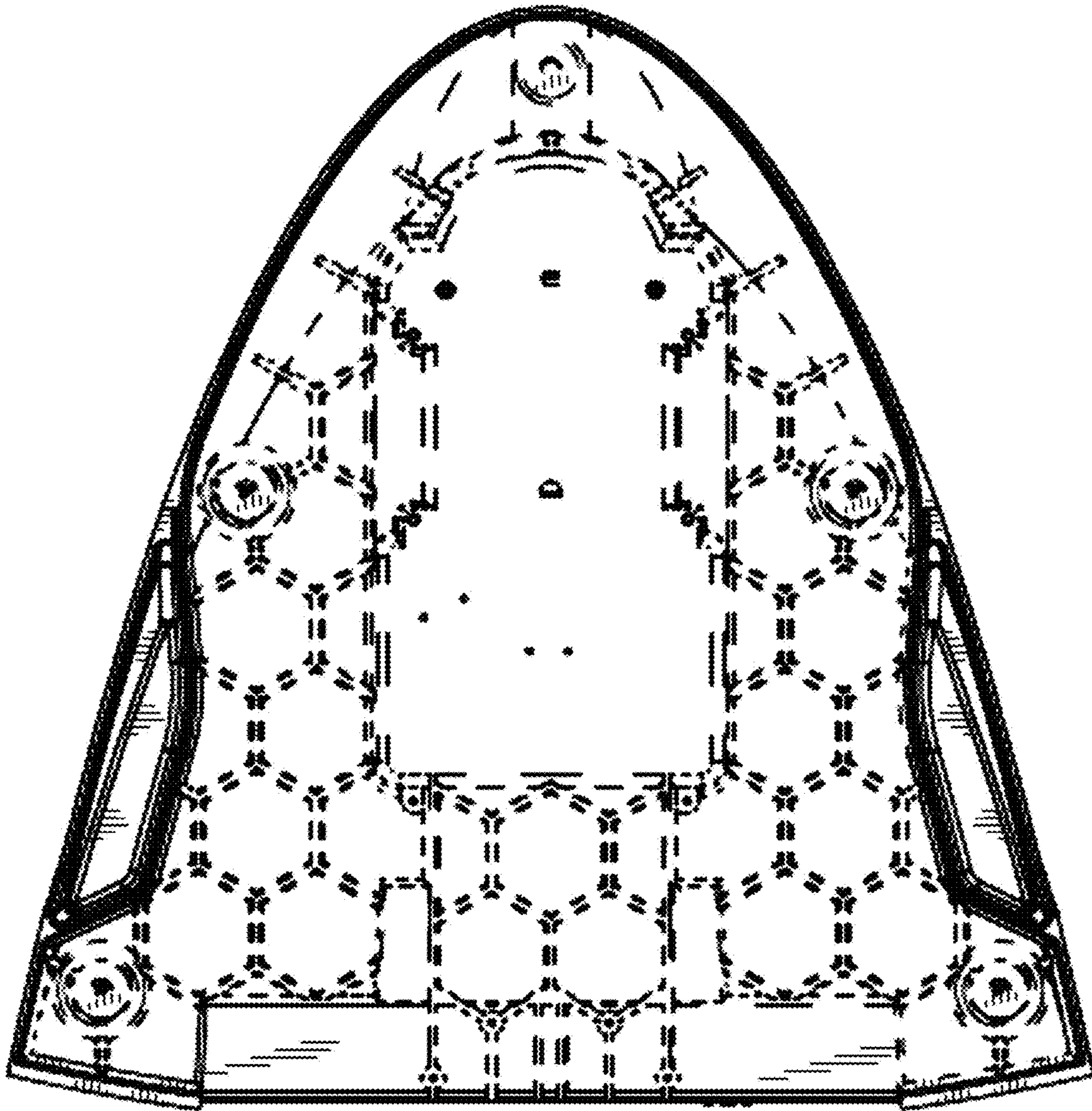


Fig. 7