



US00D895705S

(12) **United States Design Patent**
Johansen

(10) **Patent No.:** **US D895,705 S**

(45) **Date of Patent:** **** Sep. 8, 2020**

(54) **ROBOT JOINT HAVING AN INPUT FLANGE, AN OUTPUT FLANGE, AND A TOP LID**

(71) Applicant: **Universal Robots A/S, Odense S. (DK)**

(72) Inventor: **Steffen Henrik Johansen, Odense S (DK)**

(73) Assignee: **UNIVERSAL ROBOTS A/S, Odense S. (DK)**

(**) Term: **15 Years**

(21) Appl. No.: **29/669,189**

(22) Filed: **Nov. 6, 2018**

(30) **Foreign Application Priority Data**

May 18, 2018 (EP) 005272283

(51) **LOC (12) Cl.** **15-99**

(52) **U.S. Cl.**
USPC **D15/199**

(58) **Field of Classification Search**

USPC D15/199; D21/578-583, 621, 622
CPC A61F 2/70; A61F 2/76; A61F 2/585; A61F
2002/5007; A61F 2002/5083; A61F
2002/6854; A61F 2002/7645; B25J 9/104;
B25J 19/0029; B25J 17/0275; B25J
17/0283; Y10T 74/19; Y10T 74/20305;
Y10T 74/20329; Y10T 74/20323; Y10T
74/20311; Y10T 74/20317; Y10T
74/20335; Y10T 403/70

See application file for complete search history.

(56) **References Cited**

U.S. PATENT DOCUMENTS

5,782,571 A * 7/1998 Hufford B25J 15/04
403/288
6,550,346 B2 * 4/2003 Gombert G01L 5/166
250/208.6

D482,103 S * 11/2003 Snyder, Sr. D23/263
D634,818 S * 3/2011 Leroyer D23/263
D637,283 S * 5/2011 Selvarajan D24/110.1
D677,294 S * 3/2013 Long D15/199
8,425,620 B2 * 4/2013 Johnson A61F 2/76
623/24
8,525,460 B2 * 9/2013 Reiland B25J 9/1641
267/277
D740,371 S * 10/2015 Ries D21/333
D763,337 S * 8/2016 Ries D15/199
D763,338 S * 8/2016 Ries D15/199

(Continued)

OTHER PUBLICATIONS

Certificate of Registration for EP005272283-0001, 8 pages (May 18, 2018).

(Continued)

Primary Examiner — Patricia A Palasik

(74) *Attorney, Agent, or Firm* — Burns & Levinson LLP

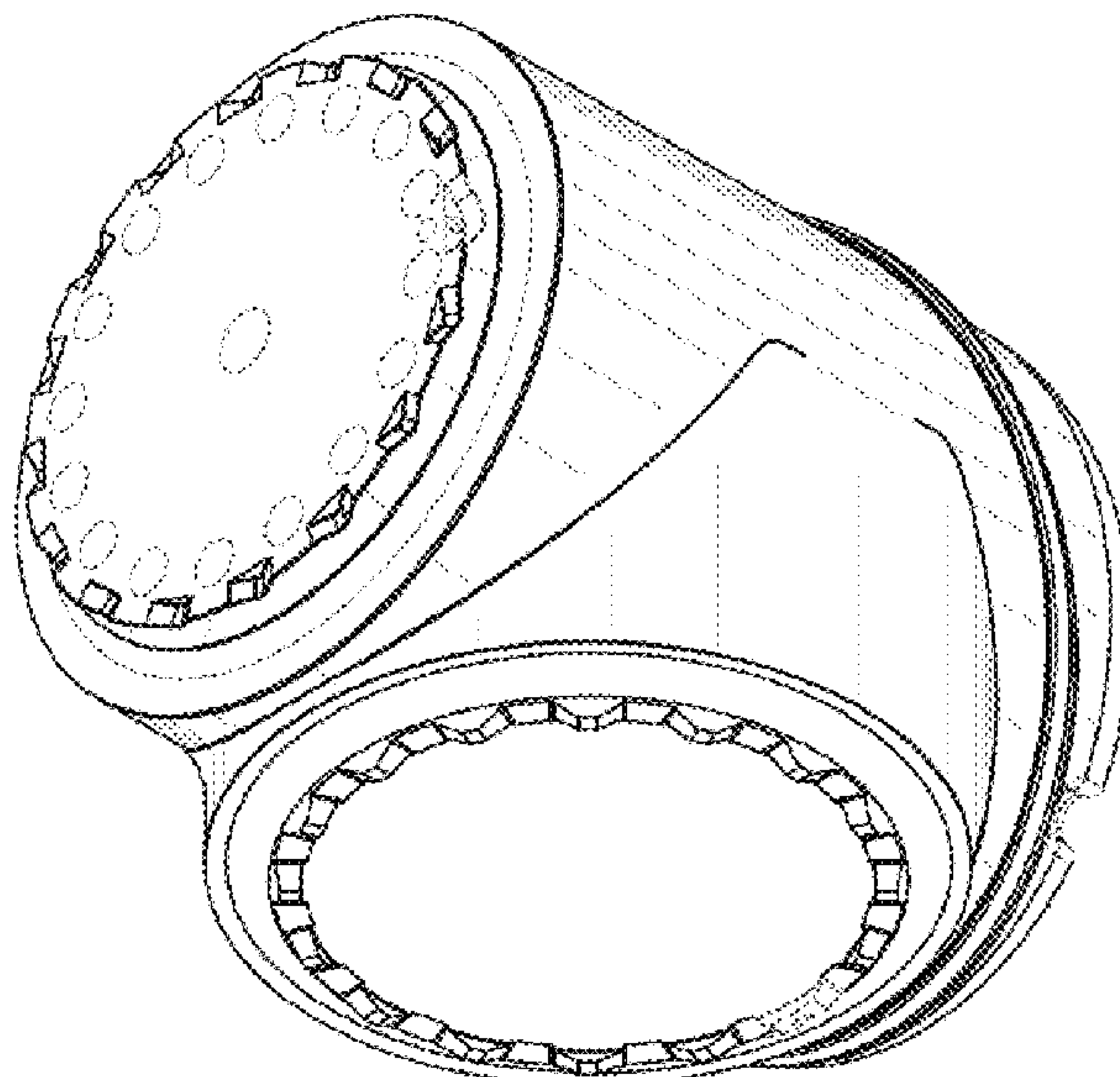
(57) **CLAIM**

The ornamental design for a robot joint having an input flange, an output flange, and a top lid, as shown and described.

DESCRIPTION

FIG. 1 is a first perspective view of a robot joint having an input flange, an output flange, and a top lid.
FIG. 2 is a plan view of a front of the robot joint.
FIG. 3 is a plan view of a back of the robot joint.
FIG. 4 is a plan view of a top of the robot joint.
FIG. 5 is a plan view of a bottom of the robot joint.
FIG. 6 is a plan view of a left side of the robot joint; and,
FIG. 7 is a second perspective view of the robot joint.
The broken or dotted lines in the figures depict portions of the robot joint having an input flange, an output flange, and a top lid only and form no part of the claimed design.

1 Claim, 7 Drawing Sheets



(56)

References Cited

U.S. PATENT DOCUMENTS

D763,339 S * 8/2016 Ries D15/199
 D766,348 S * 9/2016 Long D15/199
 D776,178 S * 1/2017 Ries D15/199
 D785,161 S * 4/2017 Dravitzki D24/110.4
 10,343,277 B2 * 7/2019 Gombert B25J 9/1602
 2005/0247155 A1 * 11/2005 Liu F16L 27/0837
 74/490.05
 2008/0216596 A1 * 9/2008 Madhani B25J 9/104
 74/490.05
 2011/0064554 A1 * 3/2011 Ito B25J 9/047
 414/735
 2011/0154933 A1 * 6/2011 Liu B25J 19/0029
 74/490.02
 2011/0232411 A1 * 9/2011 Long B25J 17/0258
 74/490.05
 2011/0290059 A1 * 12/2011 Pan B25J 9/101
 74/490.01
 2011/0290060 A1 * 12/2011 Long B25J 9/103
 74/490.01
 2012/0048051 A1 * 3/2012 Long B25J 19/0054
 74/490.03
 2012/0085191 A1 * 4/2012 Long B25J 9/102
 74/423
 2013/0047771 A1 * 2/2013 Liu B25J 19/0029
 74/490.02
 2013/0068060 A1 * 3/2013 Xu F16D 9/06
 74/490.05
 2013/0081502 A1 * 4/2013 Long B25J 9/102
 74/490.04
 2013/0118286 A1 * 5/2013 Long B25J 17/0283
 74/490.01
 2013/0125694 A1 * 5/2013 Long B25J 11/0075
 74/490.01
 2013/0125696 A1 * 5/2013 Long B25J 18/04
 74/490.05

2013/0145891 A1 * 6/2013 Long B25J 18/00
 74/490.02
 2013/0340560 A1 * 12/2013 Burrige B25J 17/00
 74/490.05
 2014/0116182 A1 * 5/2014 Long B25J 9/102
 74/490.04
 2014/0290418 A1 * 10/2014 Long B25J 9/103
 74/490.05
 2015/0050069 A1 * 2/2015 Pannekoek F21V 21/10
 403/57
 2015/0369277 A1 * 12/2015 Fevre F16D 3/32
 403/57
 2016/0331482 A1 * 11/2016 Hares B25J 9/1689
 2017/0225341 A1 * 8/2017 Kerestes B25J 15/0441

OTHER PUBLICATIONS

Certificate of Registration for EP005272283-0002, 8 pages (May 18, 2018).
 Communication—Reply to official communication for EP005272283-0001, 3 pages dated May 28, 2018.
 Communication—Reply to official communication for EP005272283-0002, 3 pages dated May 28, 2018.
 Communication—Reply to official communication for EP005272283-0003, 3 pages dated May 28, 2018.
 Examination Report for EP005272283-0001/005272283-0003, 3 page dated May 24, 2018.
 Certificate of Registration for EP 005272283-0003, 7 pages May 18, 2018.
 First Notification for Correction (Chinese version) for CN 201830524669.X, 1 page dated Dec. 10, 2018.
 Replacement Figures as filed for CN 201830524669.X, 18 pages (Feb. 25, 2019).
 U.S. Appl. No. 29/669,184, filed Nov. 6, 2018.
 U.S. Appl. No. 29/669,198, filed Nov. 6, 2018.

* cited by examiner

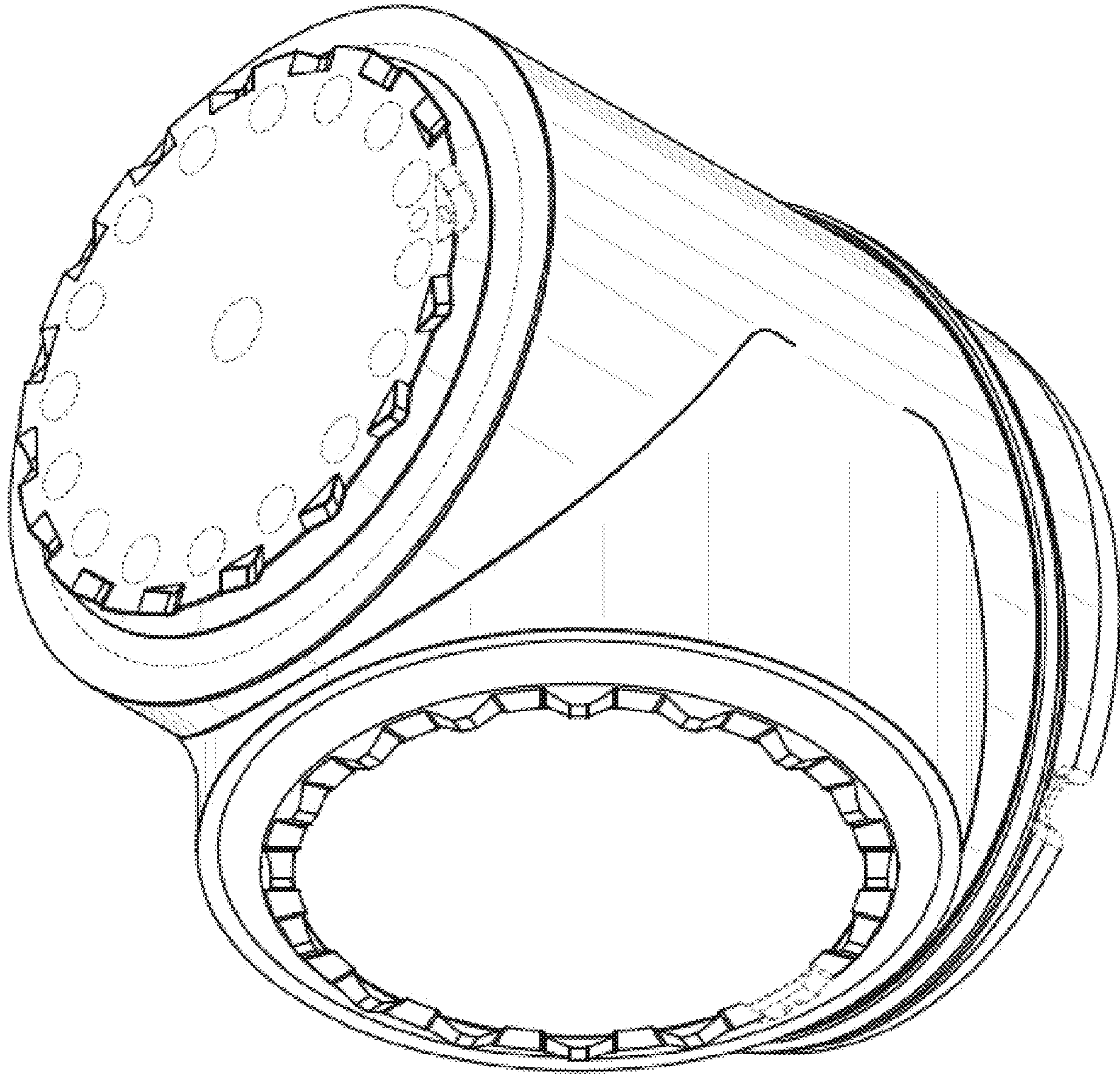


FIG. 1

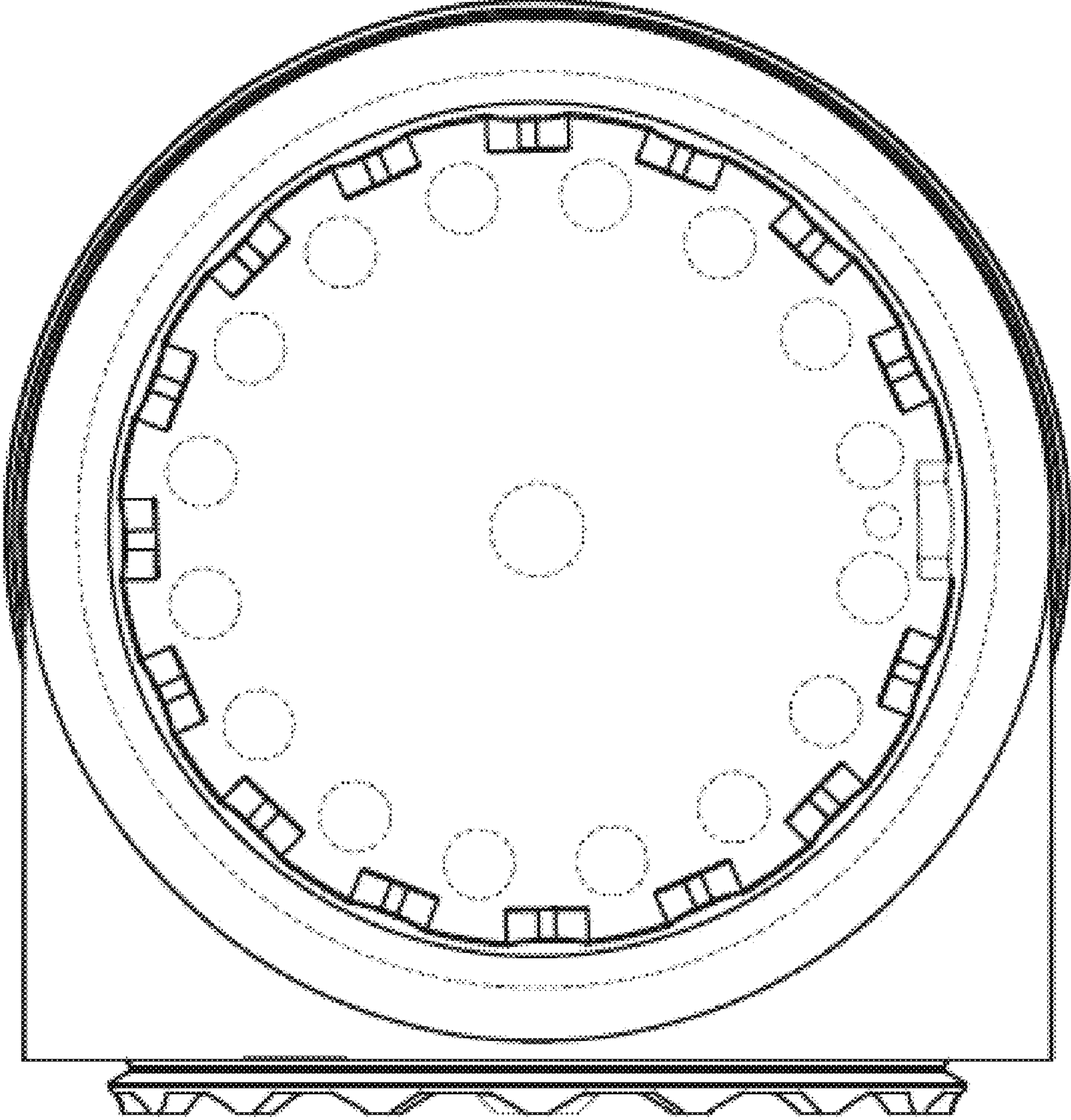


FIG. 2

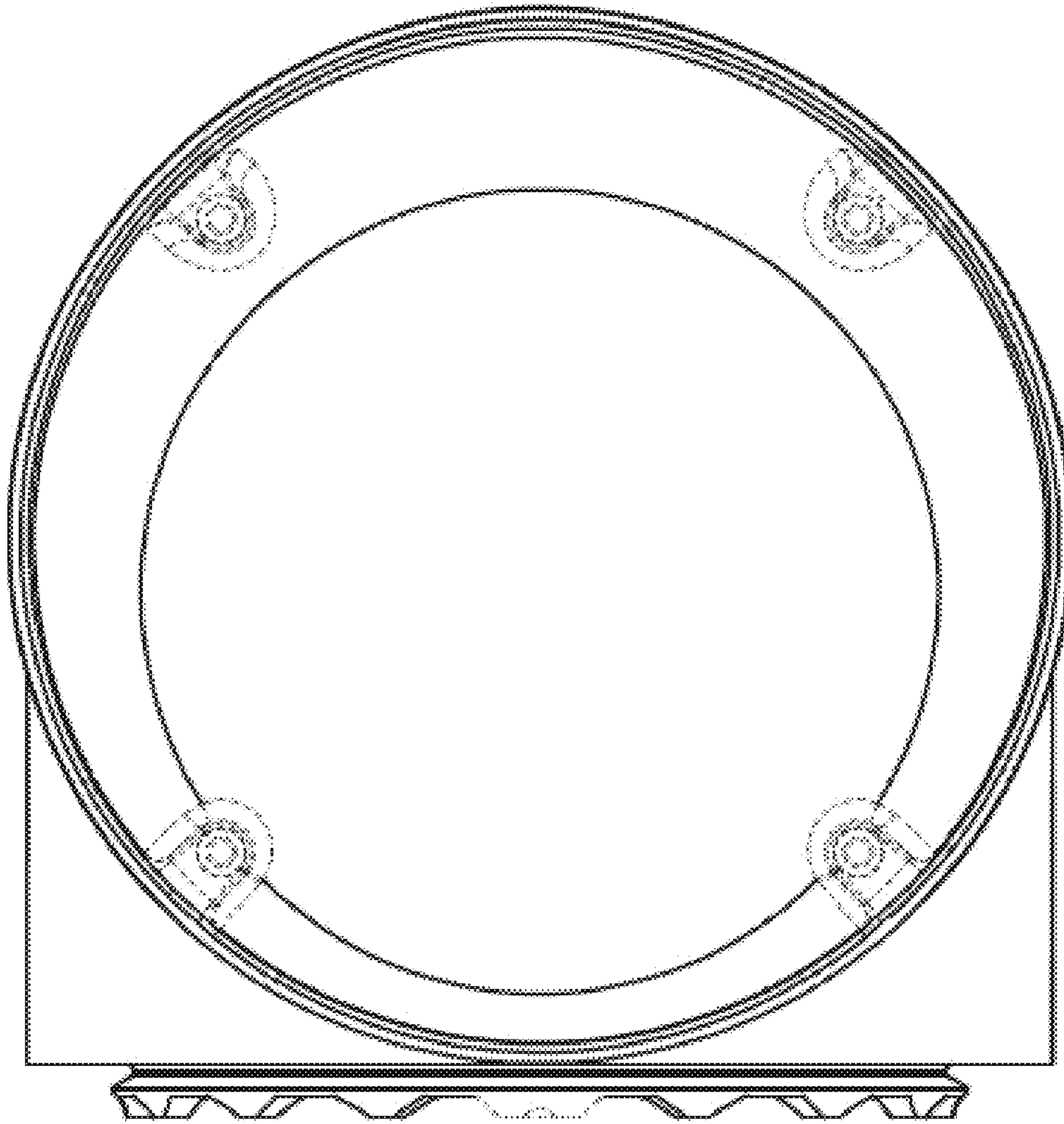


FIG. 3

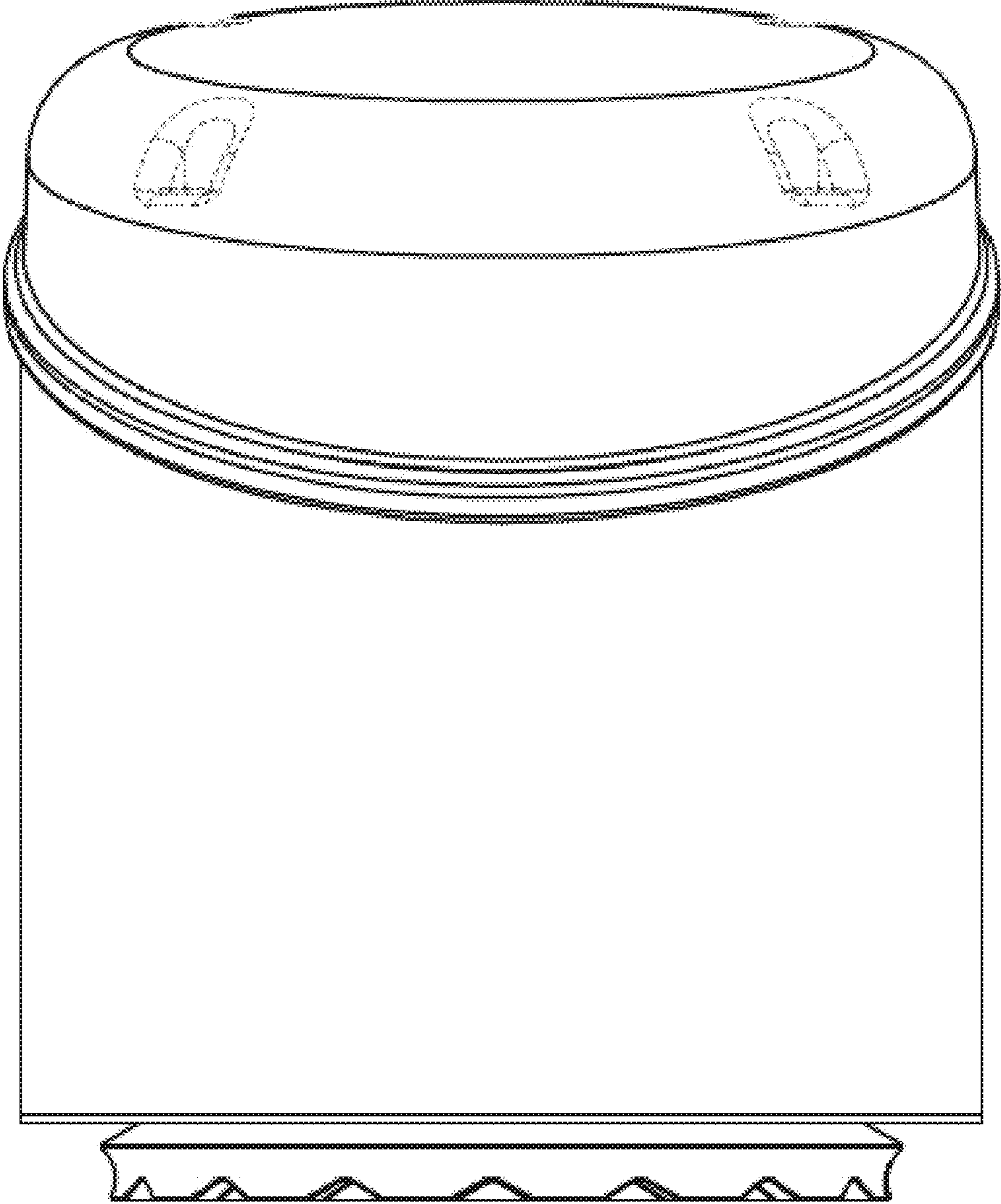


FIG. 4

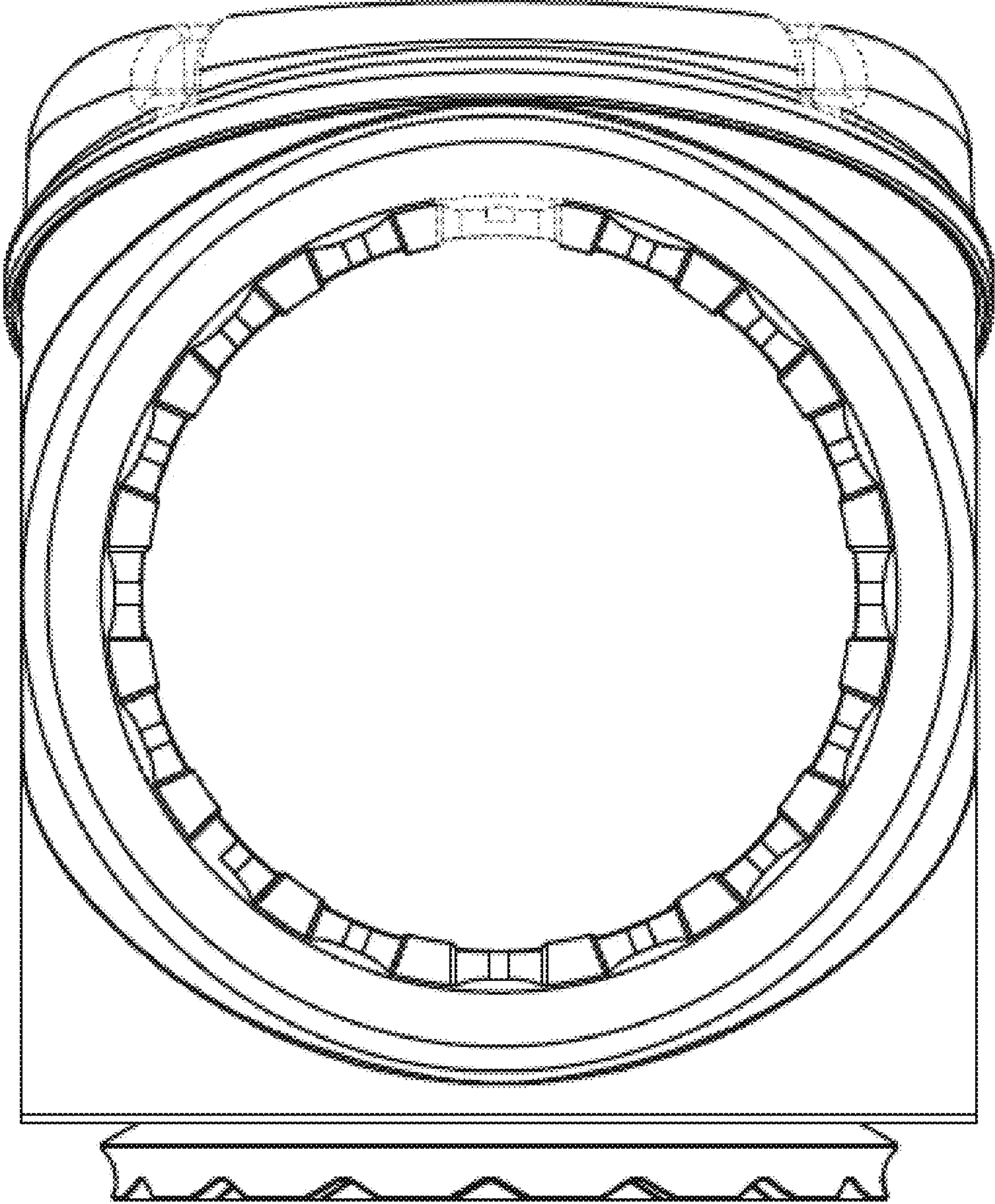


FIG. 5

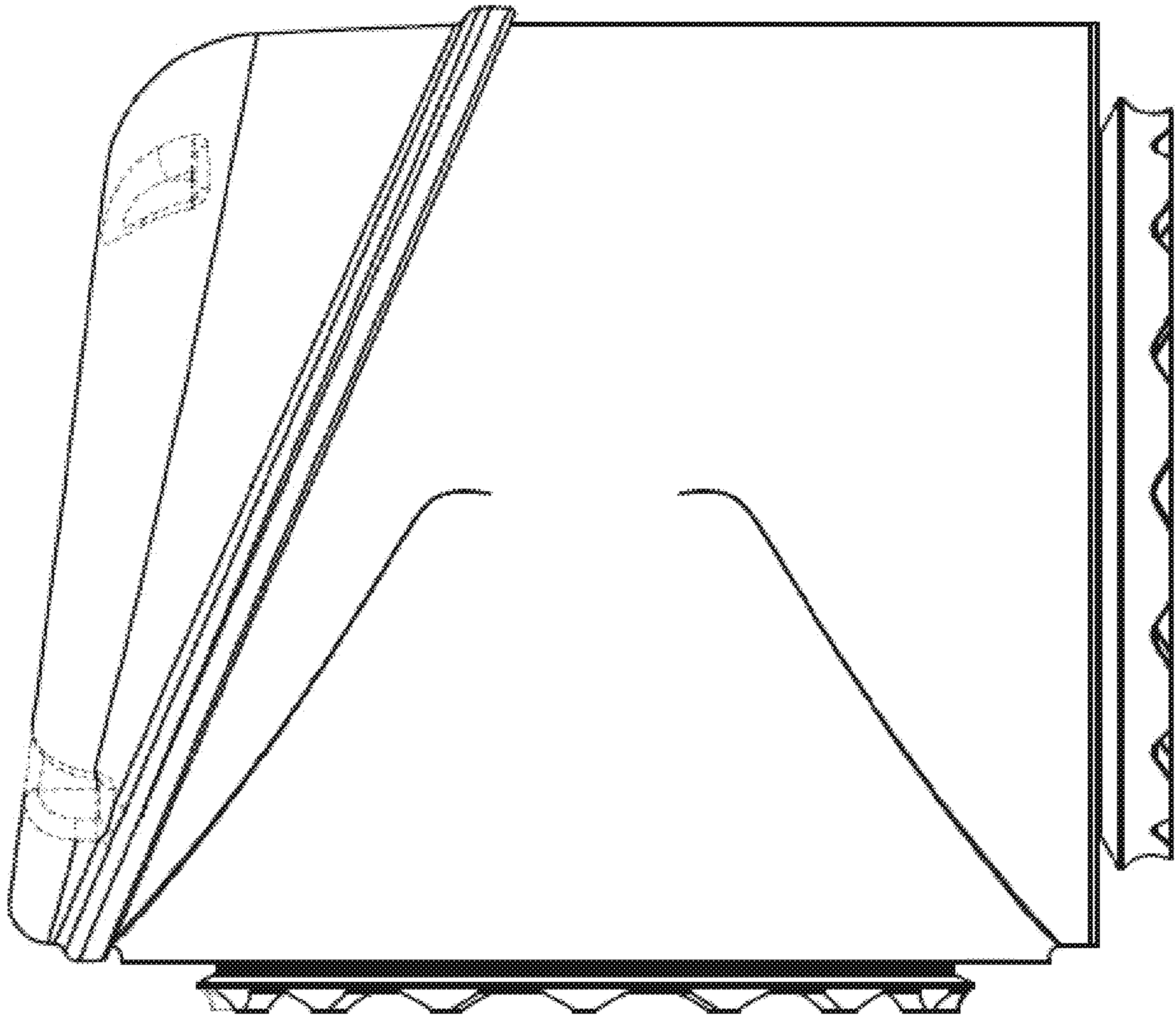


FIG. 6

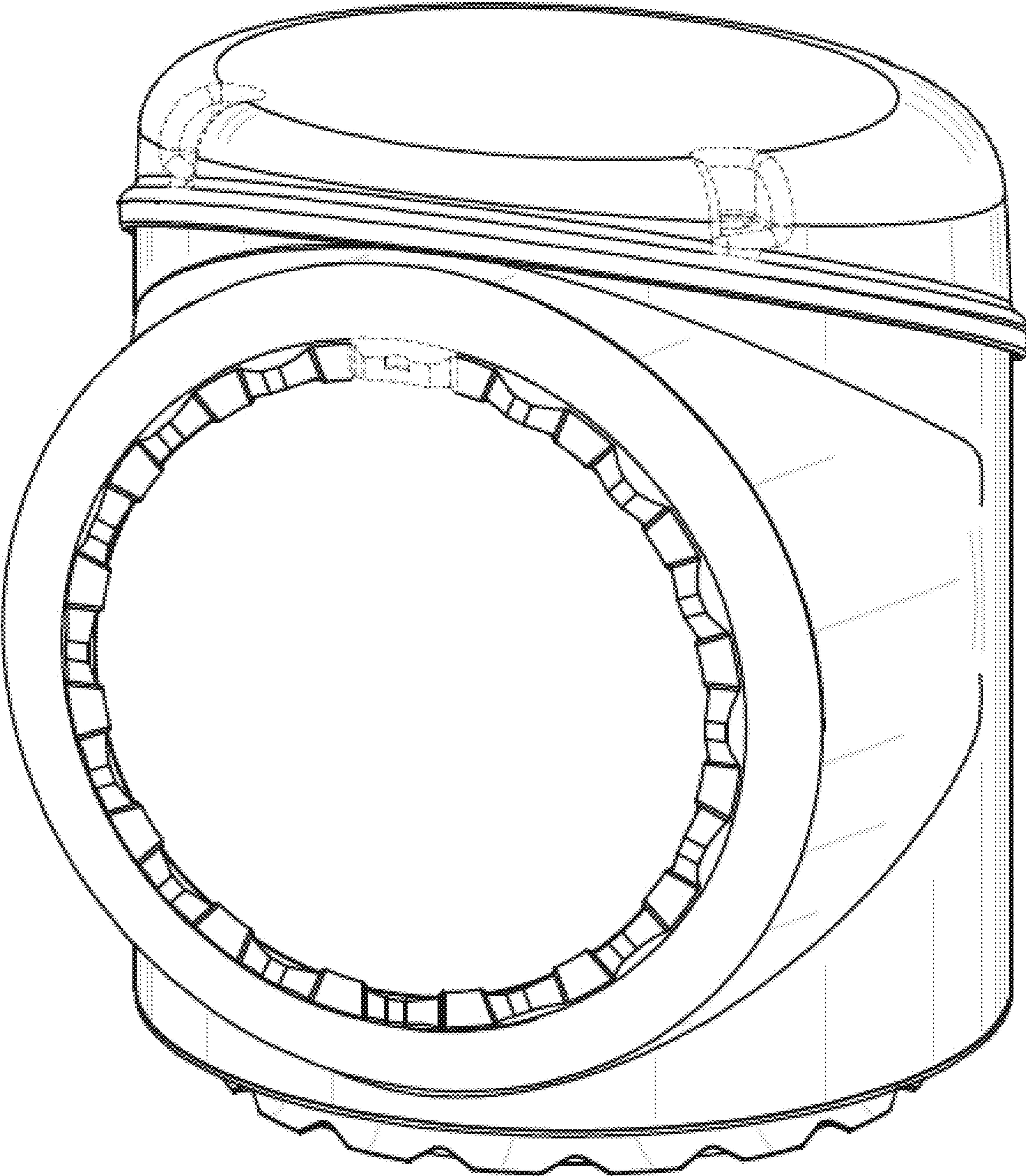


FIG. 7