



US00D895704S

(12) **United States Design Patent**
Johansen

(10) **Patent No.:** **US D895,704 S**

(45) **Date of Patent:** **** Sep. 8, 2020**

(54) **ROBOT JOINT HAVING AN INPUT FLANGE AND AN OUTPUT FLANGE**

(71) Applicant: **Universal Robots A/S, Odense S. (DK)**

(72) Inventor: **Steffen Henrik Johansen, Odense (DK)**

(73) Assignee: **UNIVERSAL ROBOTS A/S, Odense S. (DK)**

(**) Term: **15 Years**

(21) Appl. No.: **29/669,184**

(22) Filed: **Nov. 6, 2018**

(30) **Foreign Application Priority Data**

May 18, 2018 (EP) 005272283

(51) **LOC (12) Cl.** **15-99**

(52) **U.S. Cl.**
USPC **D15/199**

(58) **Field of Classification Search**

USPC D15/199; D21/578-583, 621, 622
CPC A61F 2/70; A61F 2/76; A61F 2/585; A61F
2002/5007; A61F 2002/5083; A61F
2002/6854; A61F 2002/7645; B25J 9/104;
B25J 19/0029; B25J 17/0275; B25J
17/0283; Y10T 74/19; Y10T 74/20305;
Y10T 74/20329; Y10T 74/20323; Y10T
74/20311; Y10T 74/20317; Y10T
74/20335; Y10T 403/70

See application file for complete search history.

(56) **References Cited**

U.S. PATENT DOCUMENTS

5,782,571 A * 7/1998 Hufford B25J 15/04
403/288
6,550,346 B2 * 4/2003 Gombert G01L 5/166
250/208.6

D482,103 S * 11/2003 Snyder, Sr. D23/263
D634,818 S * 3/2011 Leroyer D23/263
D637,283 S * 5/2011 Selvarajan D24/110.1
D677,294 S * 3/2013 Long D15/199
8,425,620 B2 * 4/2013 Johnson A61F 2/76
623/24
8,525,460 B2 * 9/2013 Reiland B25J 9/1641
267/277
D740,371 S * 10/2015 Ries D21/333
D763,337 S * 8/2016 Ries D15/199
D763,338 S * 8/2016 Ries D15/199
D763,339 S * 8/2016 Ries D15/199
D766,348 S * 9/2016 Long D15/199

(Continued)

OTHER PUBLICATIONS

Certificate of Registration for EP 005272283-0003, 7 pages (May 18, 2018).

(Continued)

Primary Examiner — Patricia A Palasik

(74) *Attorney, Agent, or Firm* — Burns & Levinson LLP

(57) **CLAIM**

The ornamental design for a part of a robot joint having an input flange and an output flange, as shown and described.

DESCRIPTION

FIG. 1 is a first perspective view of a robot joint having an input flange and an output flange.

FIG. 2 is a plan view of a front of the robot joint.

FIG. 3 is a plan view of a back of the robot joint.

FIG. 4 is a second perspective view of the robot joint.

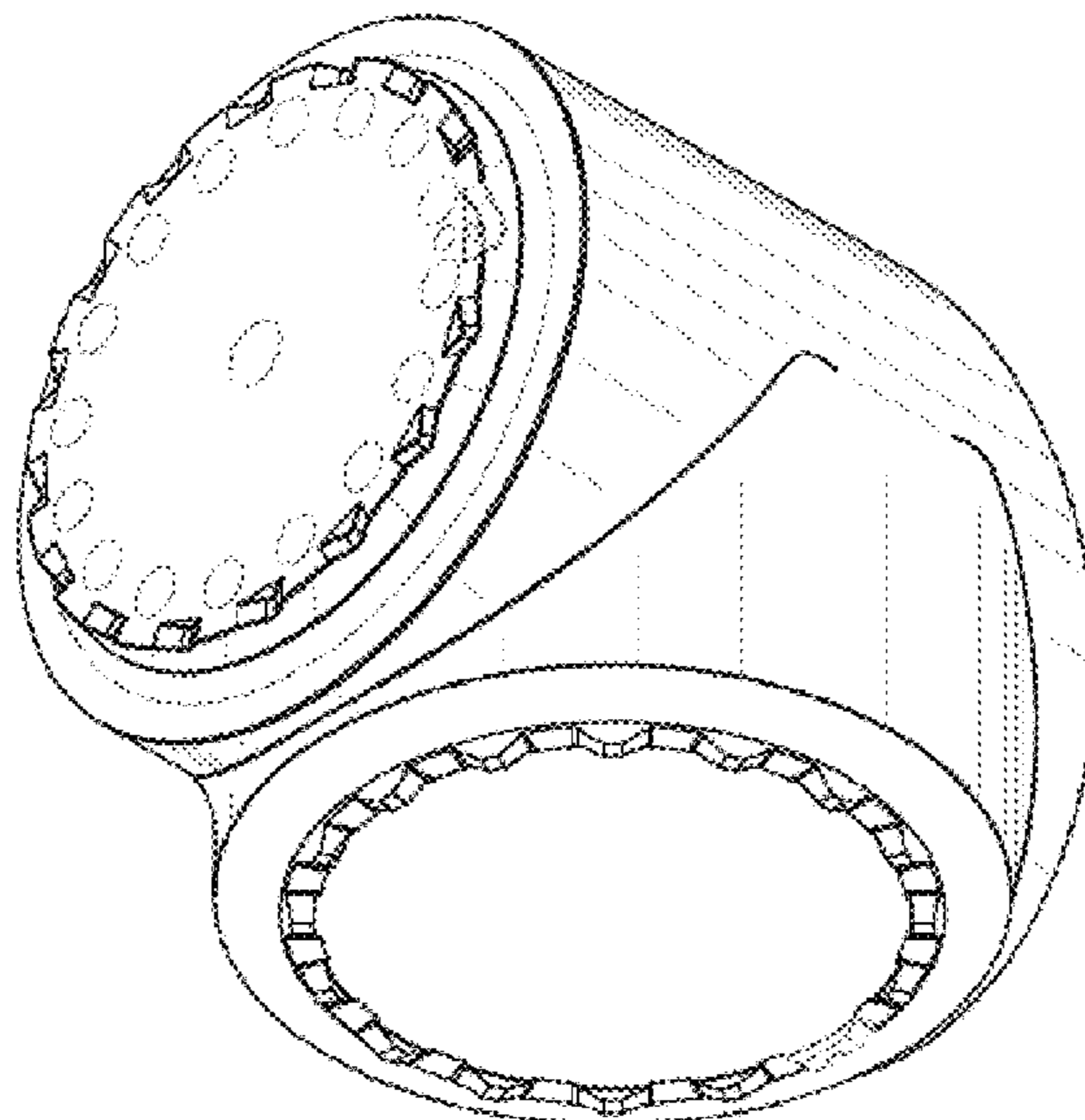
FIG. 5 is a plan view of a right side of the robot joint.

FIG. 6 is a plan view of a bottom of the robot joint; and,

FIG. 7 is a third perspective view of the robot joint.

The broken or dotted lines in the figures depict portions of the robot joint having an input flange and an output flange only and form no part of the claimed design.

1 Claim, 7 Drawing Sheets



(56)

References Cited

U.S. PATENT DOCUMENTS

D776,178 S * 1/2017 Ries D15/199
 D785,161 S * 4/2017 Dravitzki D24/110.4
 10,343,277 B2 * 7/2019 Gombert B25J 9/1602
 2005/0247155 A1 * 11/2005 Liu F16L 27/0837
 74/490.05
 2008/0216596 A1 * 9/2008 Madhani B25J 9/104
 74/490.05
 2011/0064554 A1 * 3/2011 Ito B25J 9/047
 414/735
 2011/0154933 A1 * 6/2011 Liu B25J 19/0029
 74/490.02
 2011/0232411 A1 * 9/2011 Long B25J 17/0258
 74/490.05
 2011/0290059 A1 * 12/2011 Pan B25J 9/101
 74/490.01
 2011/0290060 A1 * 12/2011 Long B25J 9/103
 74/490.01
 2012/0048051 A1 * 3/2012 Long B25J 19/0054
 74/490.03
 2012/0085191 A1 * 4/2012 Long B25J 9/102
 74/423
 2013/0047771 A1 * 2/2013 Liu B25J 19/0029
 74/490.02
 2013/0068060 A1 * 3/2013 Xu F16D 9/06
 74/490.05
 2013/0081502 A1 * 4/2013 Long B25J 9/102
 74/490.04
 2013/0118286 A1 * 5/2013 Long B25J 17/0283
 74/490.01
 2013/0125694 A1 * 5/2013 Long B25J 11/0075
 74/490.01
 2013/0125696 A1 * 5/2013 Long B25J 18/04
 74/490.05

2013/0145891 A1 * 6/2013 Long B25J 18/00
 74/490.02
 2013/0340560 A1 * 12/2013 Burrige B25J 17/00
 74/490.05
 2014/0116182 A1 * 5/2014 Long B25J 9/102
 74/490.04
 2014/0290418 A1 * 10/2014 Long B25J 9/103
 74/490.05
 2015/0050069 A1 * 2/2015 Pannekoek F21V 21/10
 403/57
 2015/0369277 A1 * 12/2015 Fevre F16D 3/32
 403/57
 2016/0331482 A1 * 11/2016 Hares B25J 9/1689
 2017/0225341 A1 * 8/2017 Kerestes B25J 15/0441

OTHER PUBLICATIONS

First Notification for Correction (Chinese version) for Cn 201830524669.
 X, 1 page (Dec. 10, 2018).
 Replacement Figures as filed for CN 201830524669.X, 18 pages
 (Feb. 25, 2019).
 Certificate of Registration for EP005272283-0001, 8 pages (May
 18, 2018).
 Certificate of Registration for EP005272283-0002, 8 pages (May
 18, 2018).
 Communication—Reply to official communication for EP005272283-
 0001, 3 pages (May 28, 2018).
 Communication—Reply to official communication for EP005272283-
 0002, 3 pages (May 28, 2018).
 Communication—Reply to official communication for EP005272283-
 0003, 3 pages (May 28, 2018).
 Examination Report for EP005272283-0001/005272283-0003, 3
 page (May 24, 2018).
 U.S. Appl. No. 29/669,189, filed Nov. 6, 2018.
 U.S. Appl. No. 29/669,198, filed Nov. 6, 2018.

* cited by examiner

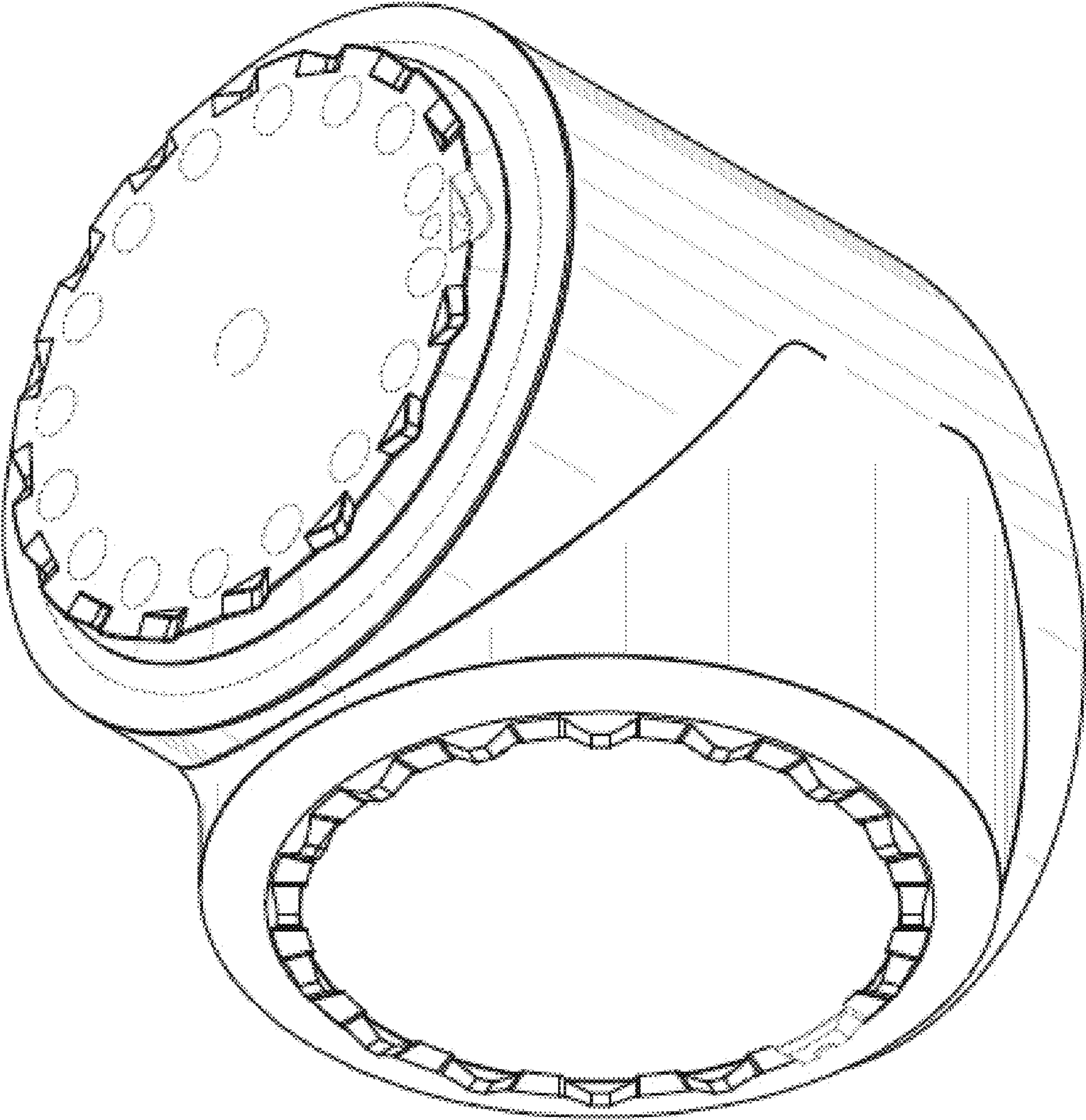


FIG. 1

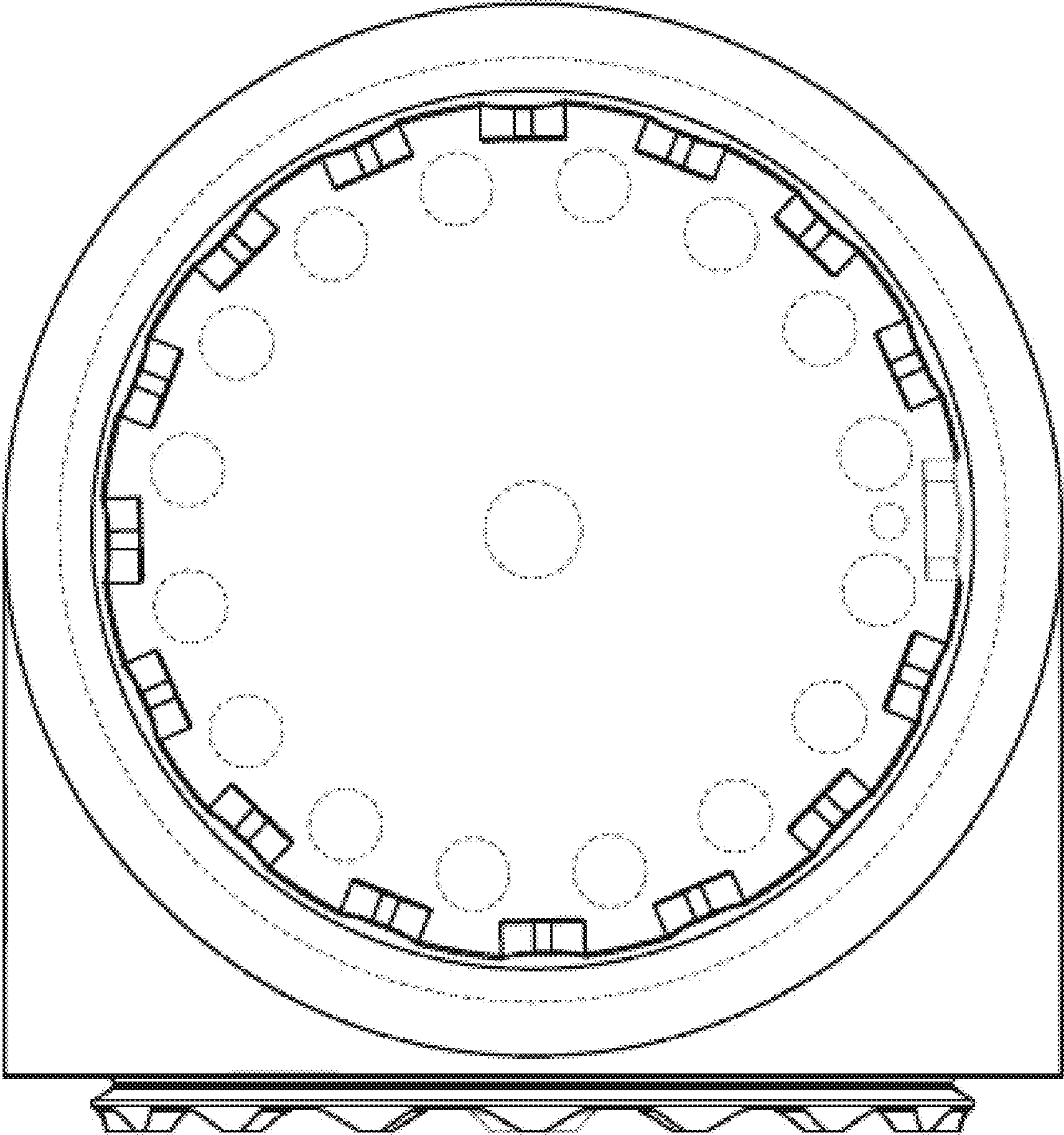


FIG. 2

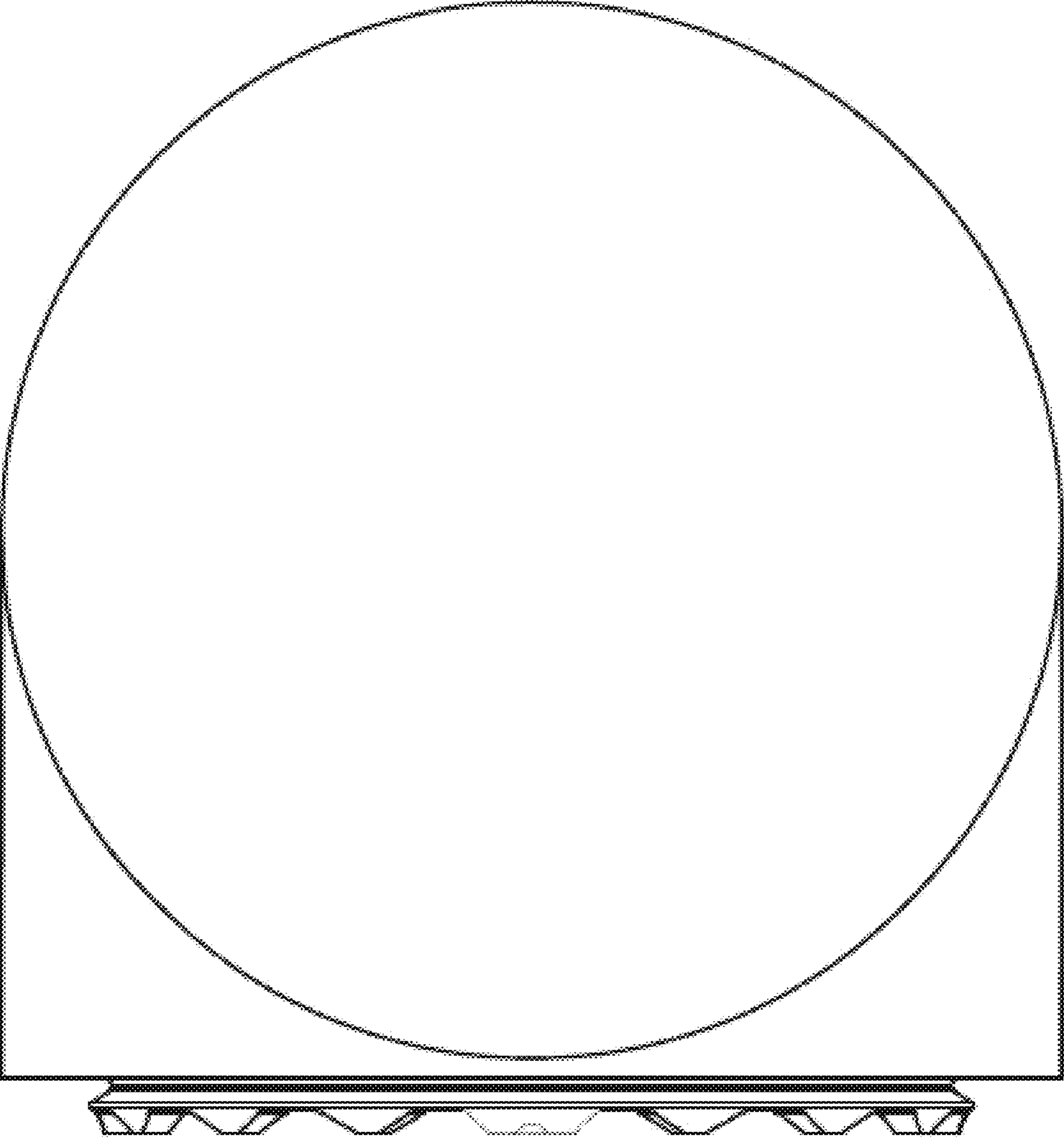


FIG. 3

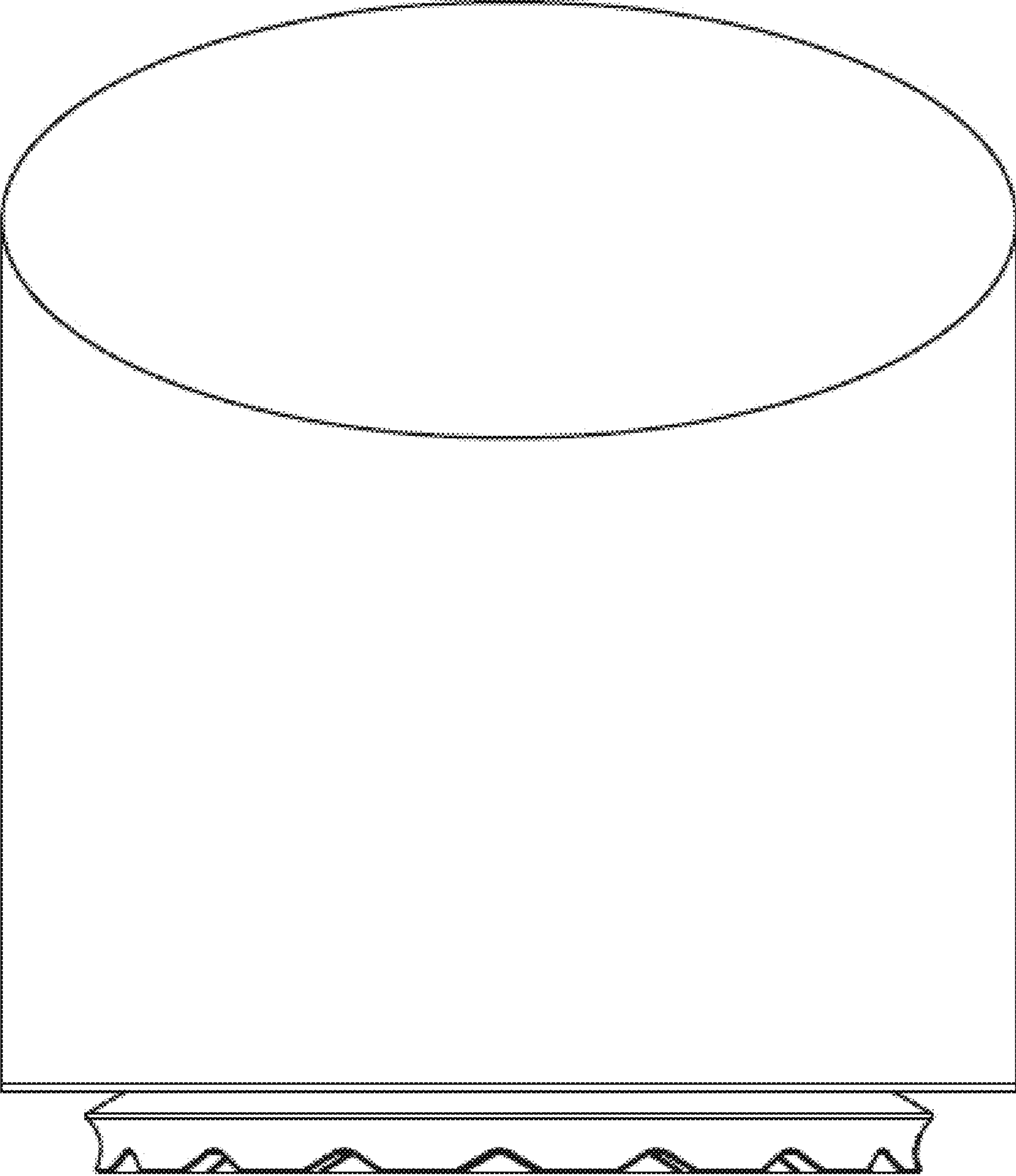


FIG. 4

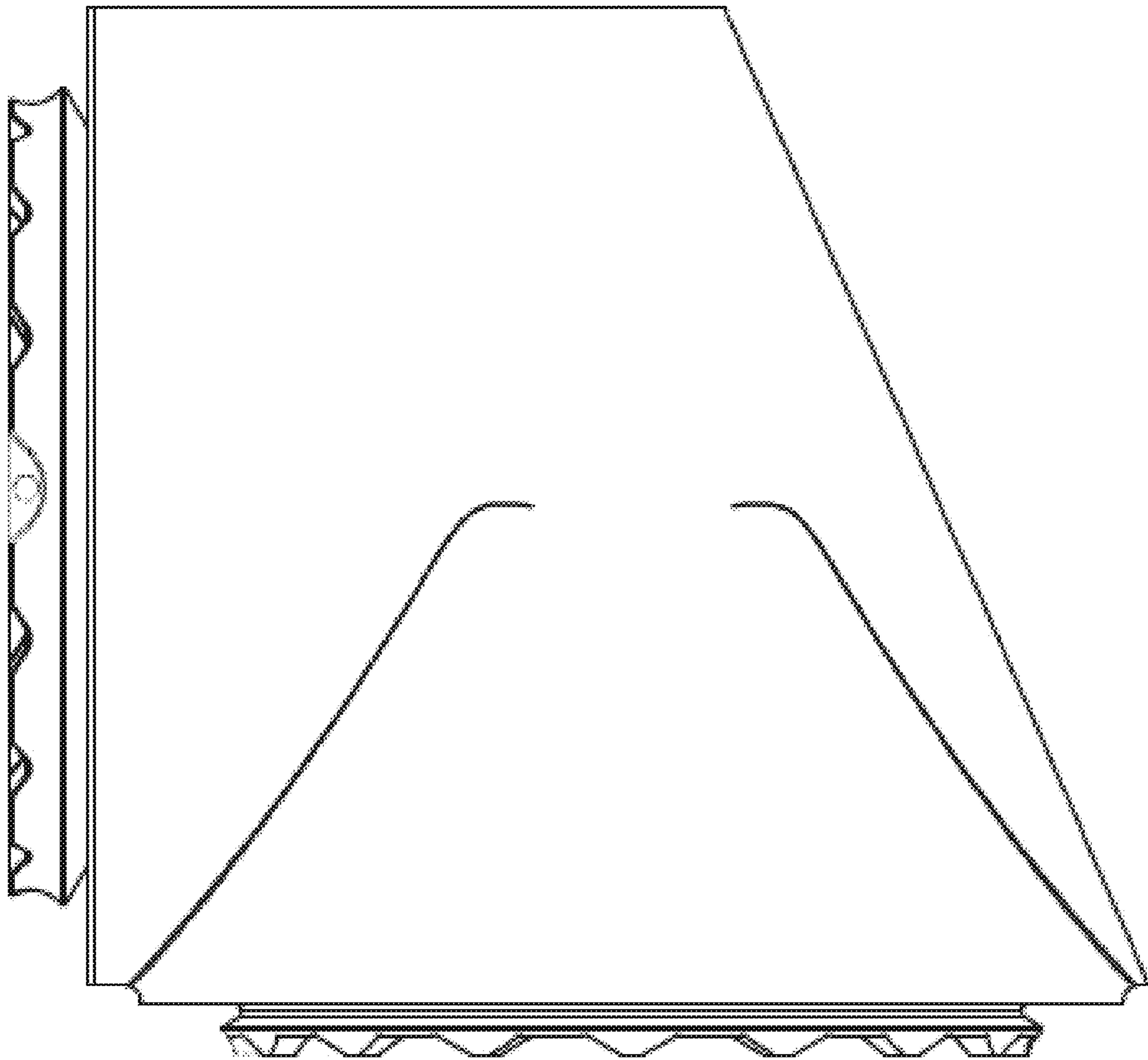


FIG. 5

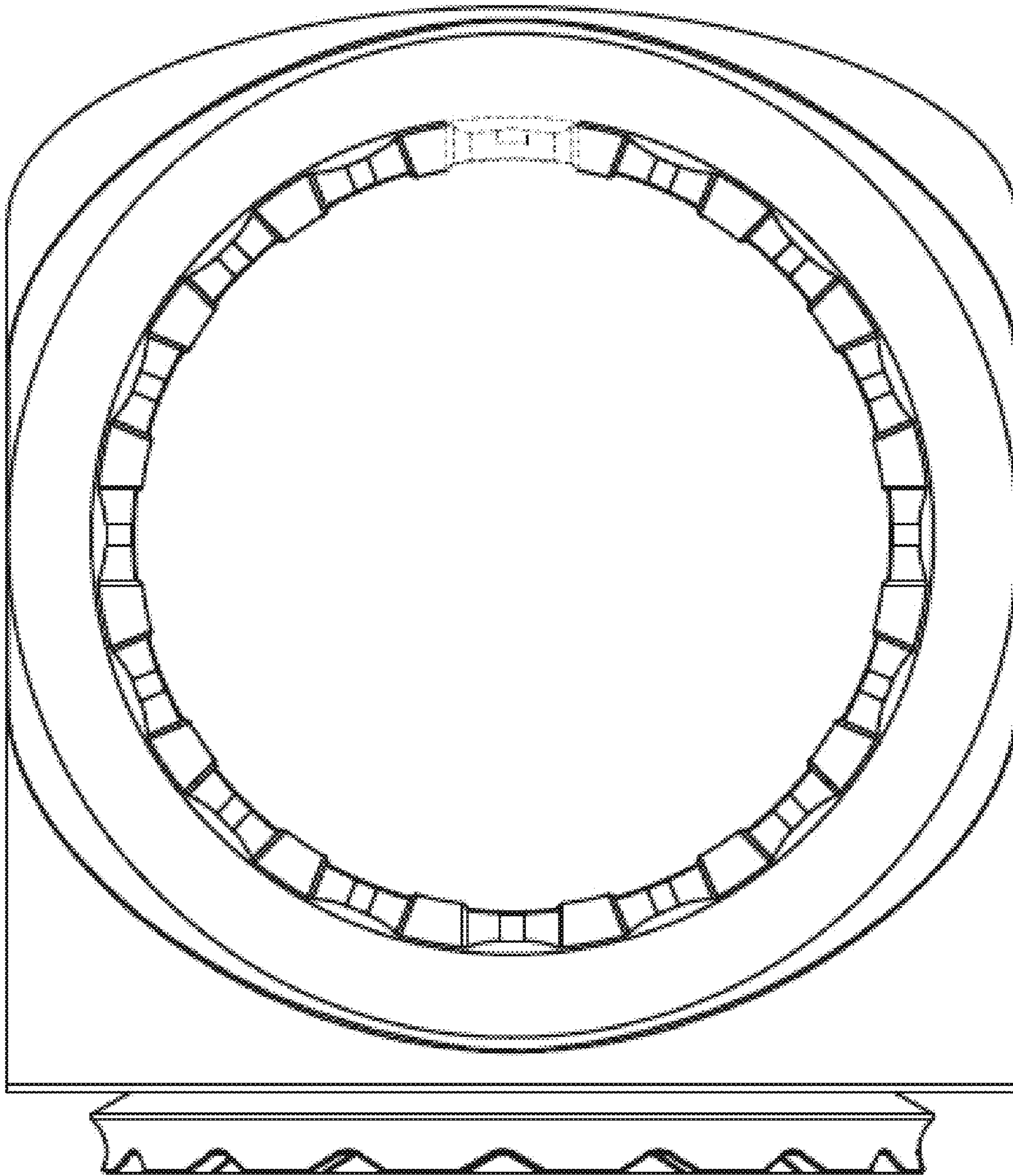


FIG. 6

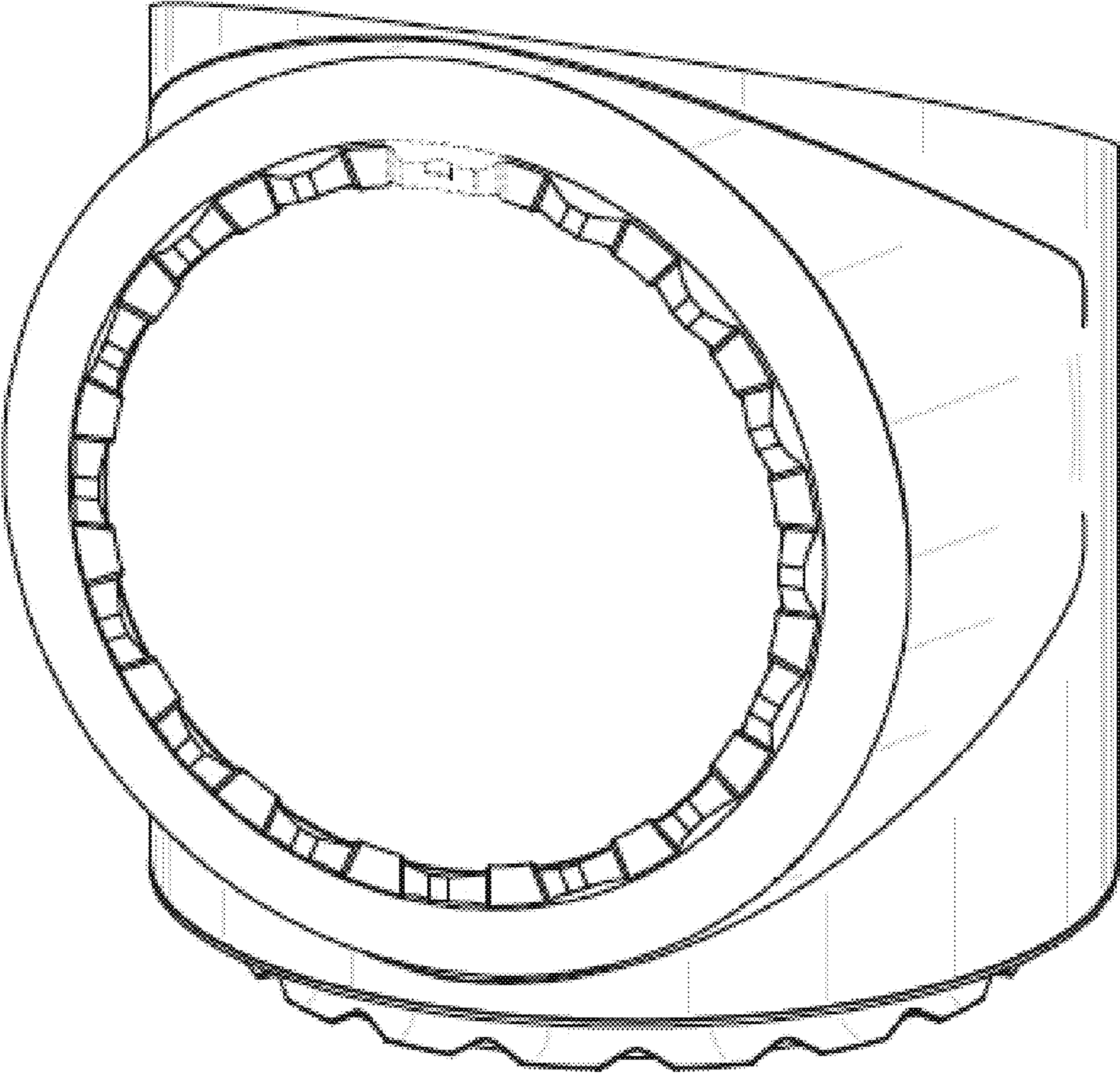


FIG. 7