

US00D895699S

(12) **United States Design Patent**
Morita et al.

(10) **Patent No.:** **US D895,699 S**

(45) **Date of Patent:** **** Sep. 8, 2020**

- (54) **ROTOR COVER FOR DISC TYPE CENTRIFUGAL SEPARATOR**
- (71) Applicant: **TOMOE ENGINEERING CO., LTD.**,
Shinagawa-ku, Tokyo (JP)
- (72) Inventors: **Kenji Morita**, Tokyo (JP); **Kensuke Ozawa**, Tokyo (JP)
- (73) Assignee: **TOMOE ENGINEERING CO., LTD.**,
Tokyo (JP)

- 4,251,023 A * 2/1981 Hohne B04B 9/12
494/60
- 4,412,830 A * 11/1983 Strain B04B 7/02
494/12
- 4,484,906 A * 11/1984 Strain B04B 5/0414
494/16
- 5,242,370 A * 9/1993 Silver B01L 3/5021
422/918
- 5,279,538 A * 1/1994 Carson B04B 5/0414
494/16
- 5,344,380 A * 9/1994 Chern B04B 5/0414
494/12
- 5,350,330 A * 9/1994 Platis B63B 22/16
43/43.14
- 5,354,254 A * 10/1994 Zabriskie B04B 5/0414
494/12

(**) Term: **15 Years**

(21) Appl. No.: **29/661,628**

(22) Filed: **Aug. 29, 2018**

(30) **Foreign Application Priority Data**

Mar. 9, 2018 (JP) 2018-004983

(51) **LOC (12) Cl.** **15-09**

(52) **U.S. Cl.**
USPC **D15/147; D15/138**

(58) **Field of Classification Search**
USPC D7/369; D15/122, 138, 147, 199
CPC B04B 5/0414; B04B 7/06; B04B 7/08;
B04B 2007/025
See application file for complete search history.

(56) **References Cited**

U.S. PATENT DOCUMENTS

- 2,447,330 A * 8/1948 Grebmeier B04B 5/0414
494/16
- 3,709,429 A * 1/1973 McKenzie B04B 5/0414
494/16
- 3,819,111 A * 6/1974 Romanasuskas B04B 5/0414
494/16
- 3,997,104 A * 12/1976 Hein B04B 5/0414
494/16

(Continued)

Primary Examiner — Patricia A Palasik

(74) *Attorney, Agent, or Firm* — Holtz, Holtz & Volek PC

(57) **CLAIM**

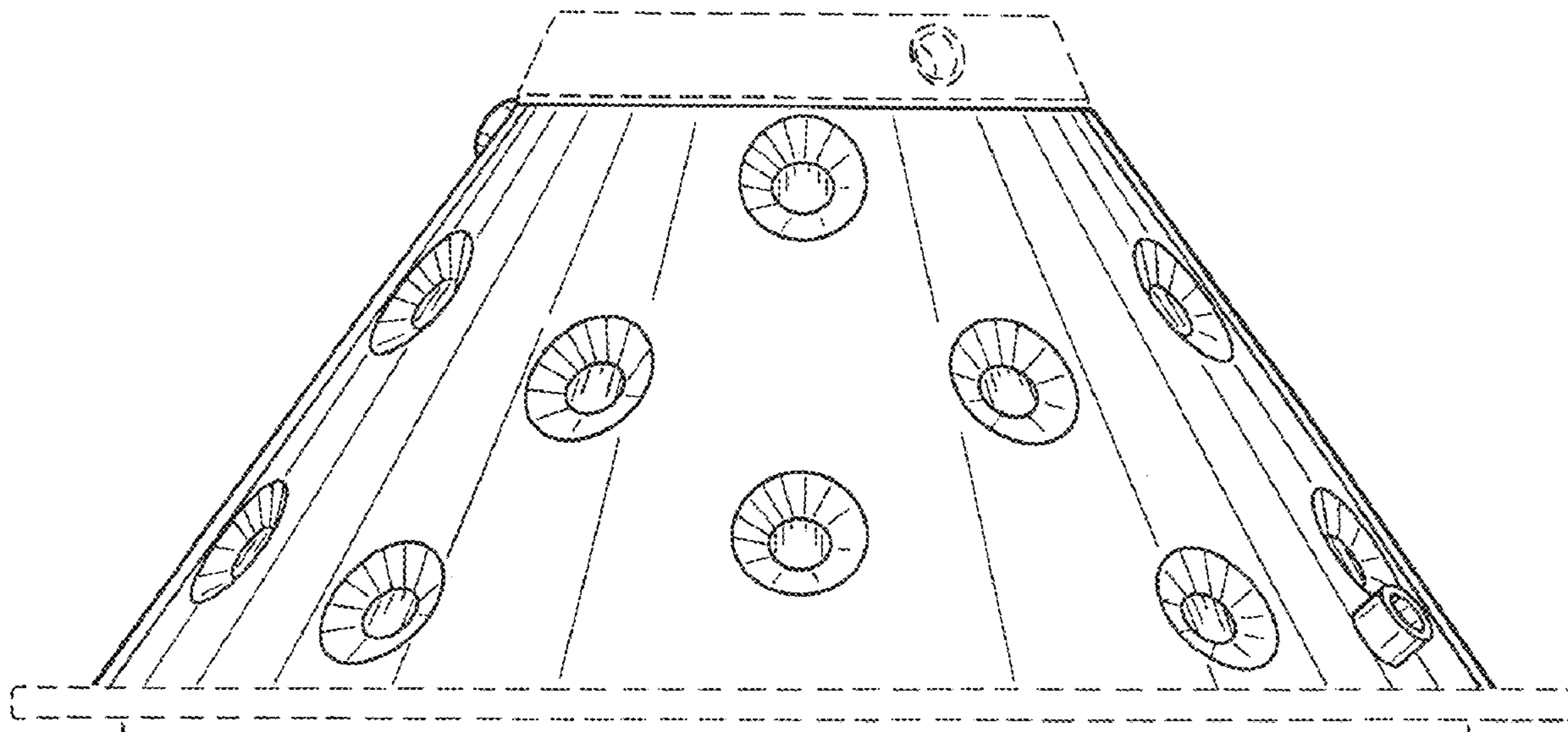
The ornamental design for a rotor cover for disc type centrifugal separator, as shown and described.

DESCRIPTION

FIG. 1 is a front elevational view of a rotor cover for disc type centrifugal separator showing our new design; FIG. 2 is a rear elevational view thereof; FIG. 3 is a right side elevational view thereof; FIG. 4 is a left side elevational view thereof; FIG. 5 is a top plan view thereof; FIG. 6 is a bottom plan view thereof; FIG. 7 is a sectional view thereof taken along line 7-7 of FIG. 5; and, FIG. 8 is a sectional view thereof taken along line 8-8 of FIG. 5.

The broken lines depict portions of the rotor cover for disc type centrifugal separator in which the design is embodied that form no part of the claimed design.

1 Claim, 5 Drawing Sheets



(56)

References Cited

U.S. PATENT DOCUMENTS

5,362,301 A * 11/1994 Malekmadani B04B 7/085
494/16
5,363,530 A * 11/1994 Dunn B08B 9/021
15/104.03
5,409,443 A * 4/1995 Zabriskie B04B 5/0414
494/10
5,551,941 A * 9/1996 Howell B04B 5/0414
494/16
5,601,522 A * 2/1997 PiraMoon B04B 5/0414
156/172
5,605,529 A * 2/1997 Petithory B04B 5/0414
494/16
D424,480 S * 5/2000 Ricci D12/126
D434,703 S * 12/2000 Ricci D12/126
6,286,838 B1 * 9/2001 Kruger B04B 5/0414
277/549
6,665,924 B2 * 12/2003 Schutz B04B 5/0414
29/525.11
D633,119 S * 2/2011 Mackel D15/147
8,414,466 B2 * 4/2013 Hashimoto B04B 5/0414
494/12

D768,742 S * 10/2016 Charbonneau D15/139
D807,414 S * 1/2018 Maguire D15/135
D869,514 S * 12/2019 Andersson D15/19
2003/0144124 A1 * 7/2003 Schutz B04B 5/0414
494/12
2004/0116189 A1 * 6/2004 Bosk F16D 7/028
464/42
2005/0101467 A1 * 5/2005 Hara B01L 9/06
494/16
2005/0123895 A1 * 6/2005 Freund A61M 1/0066
435/2
2005/0272587 A1 * 12/2005 Niinai B04B 7/02
494/12
2006/0183620 A1 * 8/2006 Eigemeier B04B 5/0414
494/16
2012/0004089 A1 * 1/2012 Hashimoto B04B 5/0414
494/60
2016/0193614 A1 * 7/2016 PiraMoon B04B 7/06
494/60
2017/0050195 A1 * 2/2017 Hornek B04B 7/08
2017/0333916 A1 * 11/2017 Kamees B01F 9/0003
2018/0318847 A1 * 11/2018 Luersmann B04B 7/14
2018/0353974 A1 * 12/2018 Sato B04B 7/06
2020/0055060 A1 * 2/2020 Kuhnert B04B 7/08

* cited by examiner

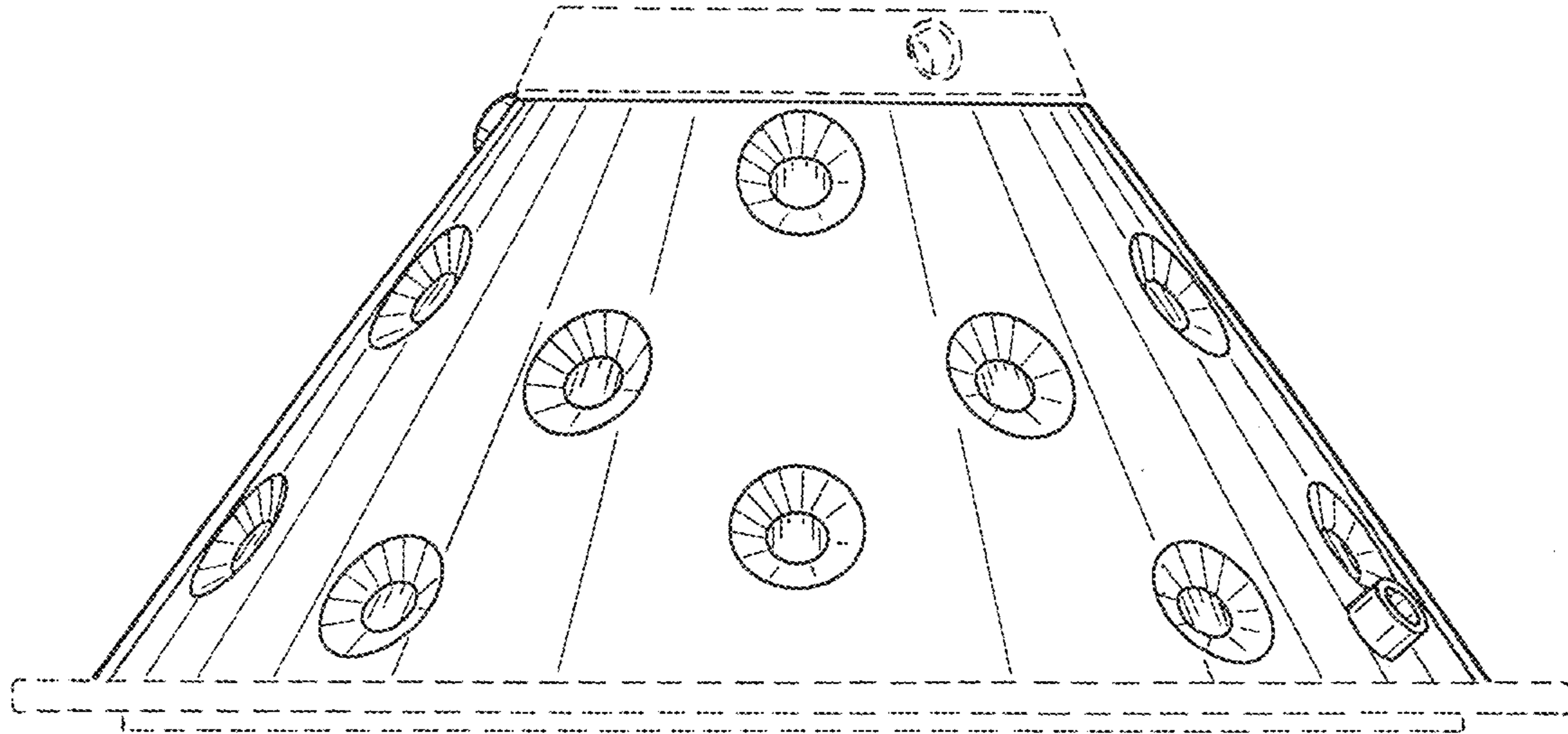


Fig. 1

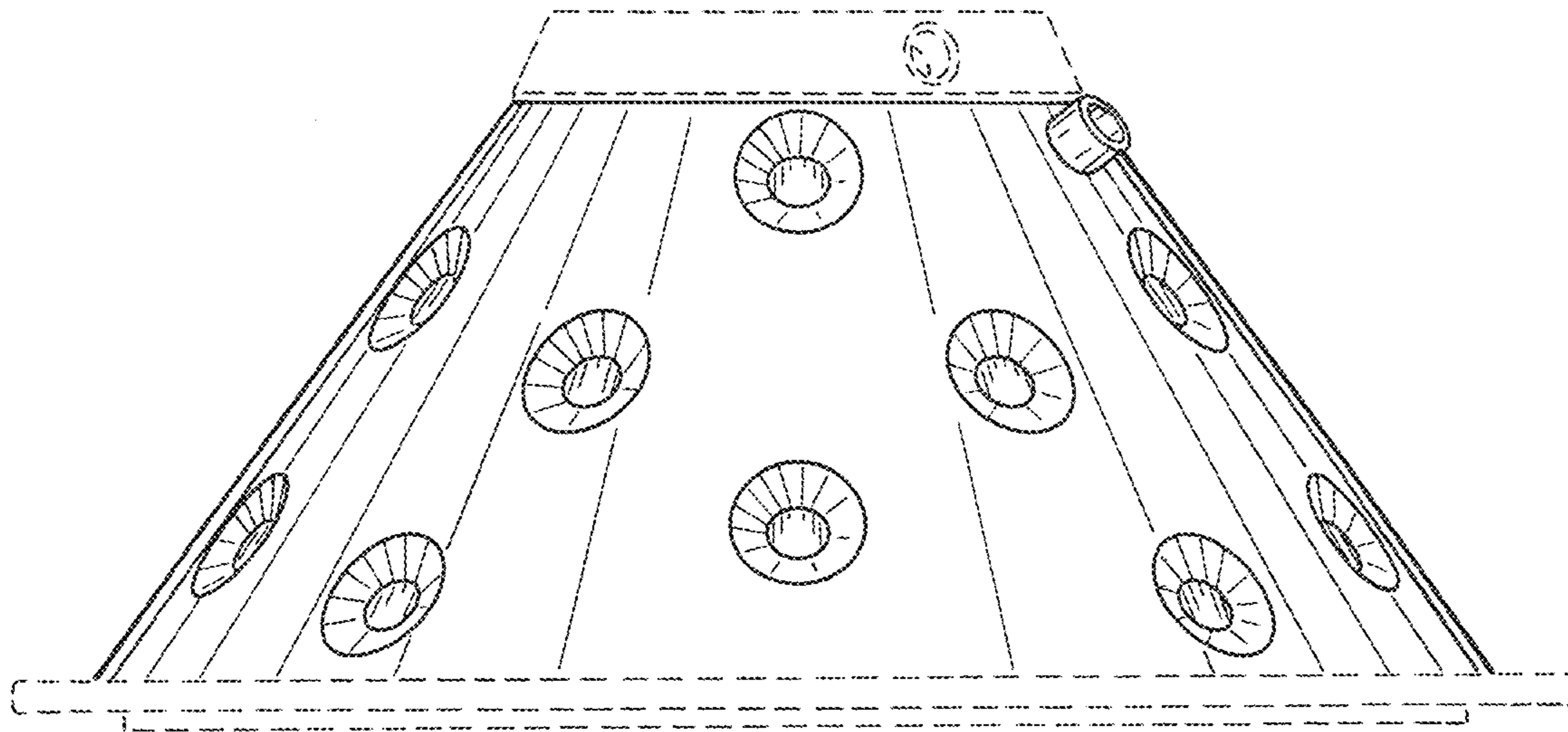


Fig. 2

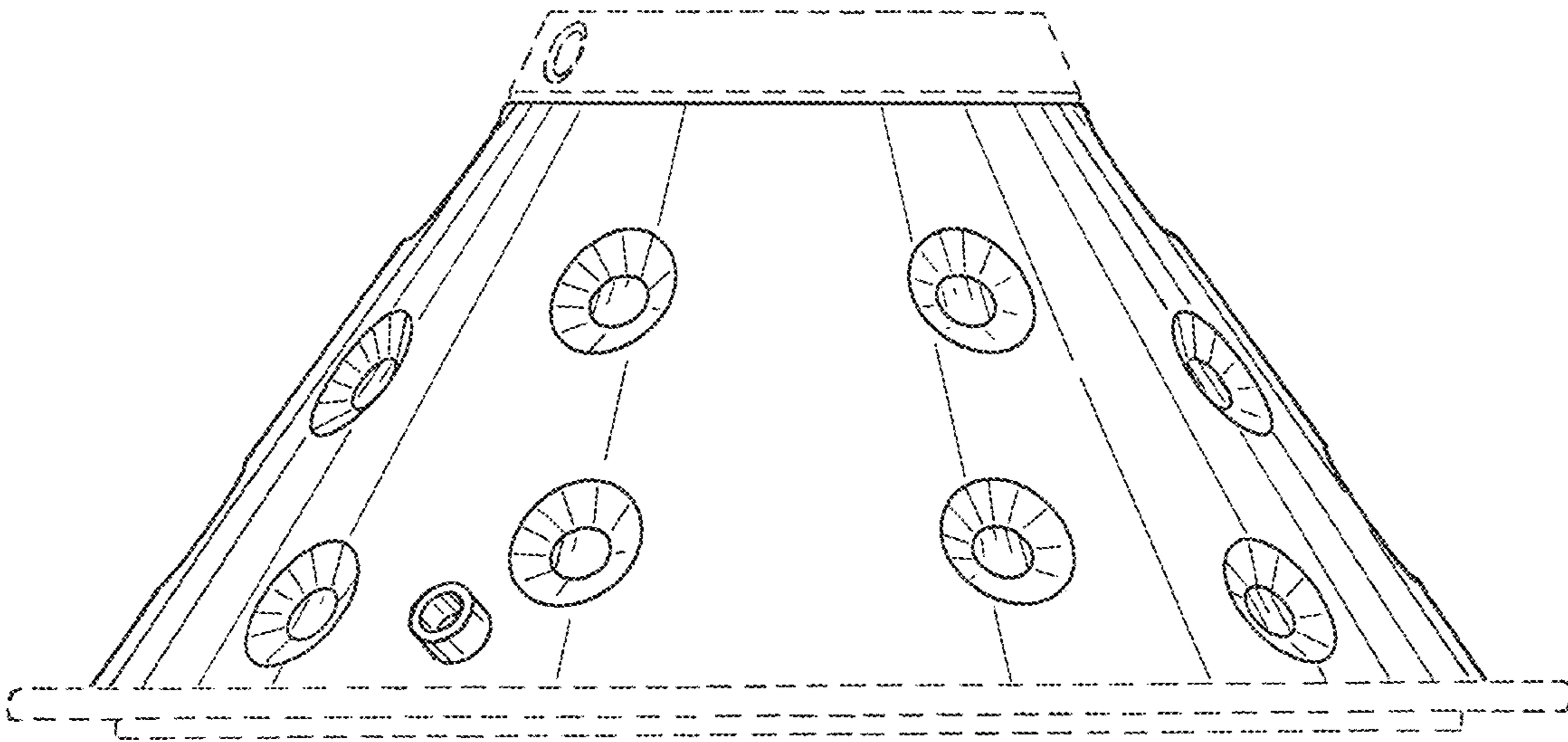


Fig. 3

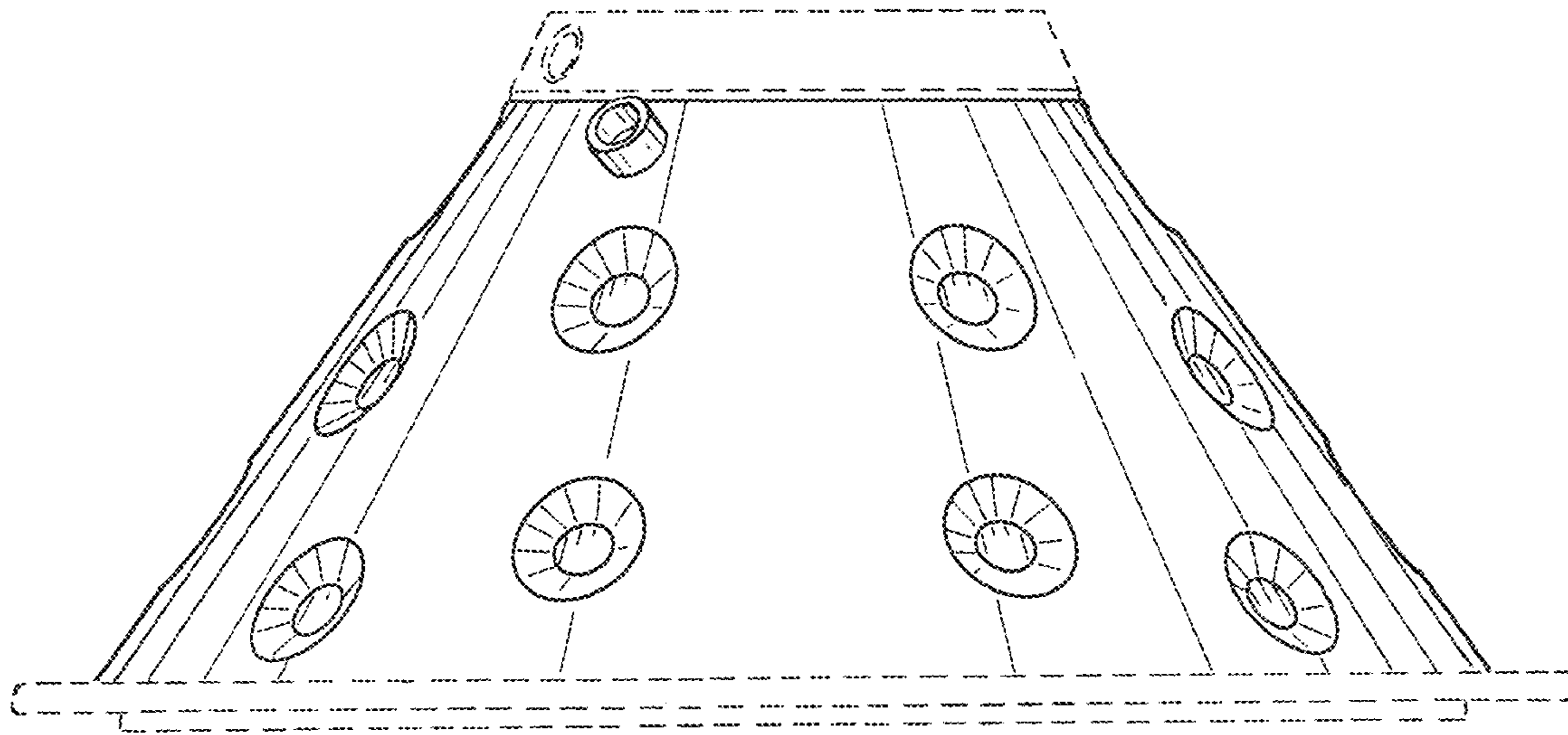


Fig. 4

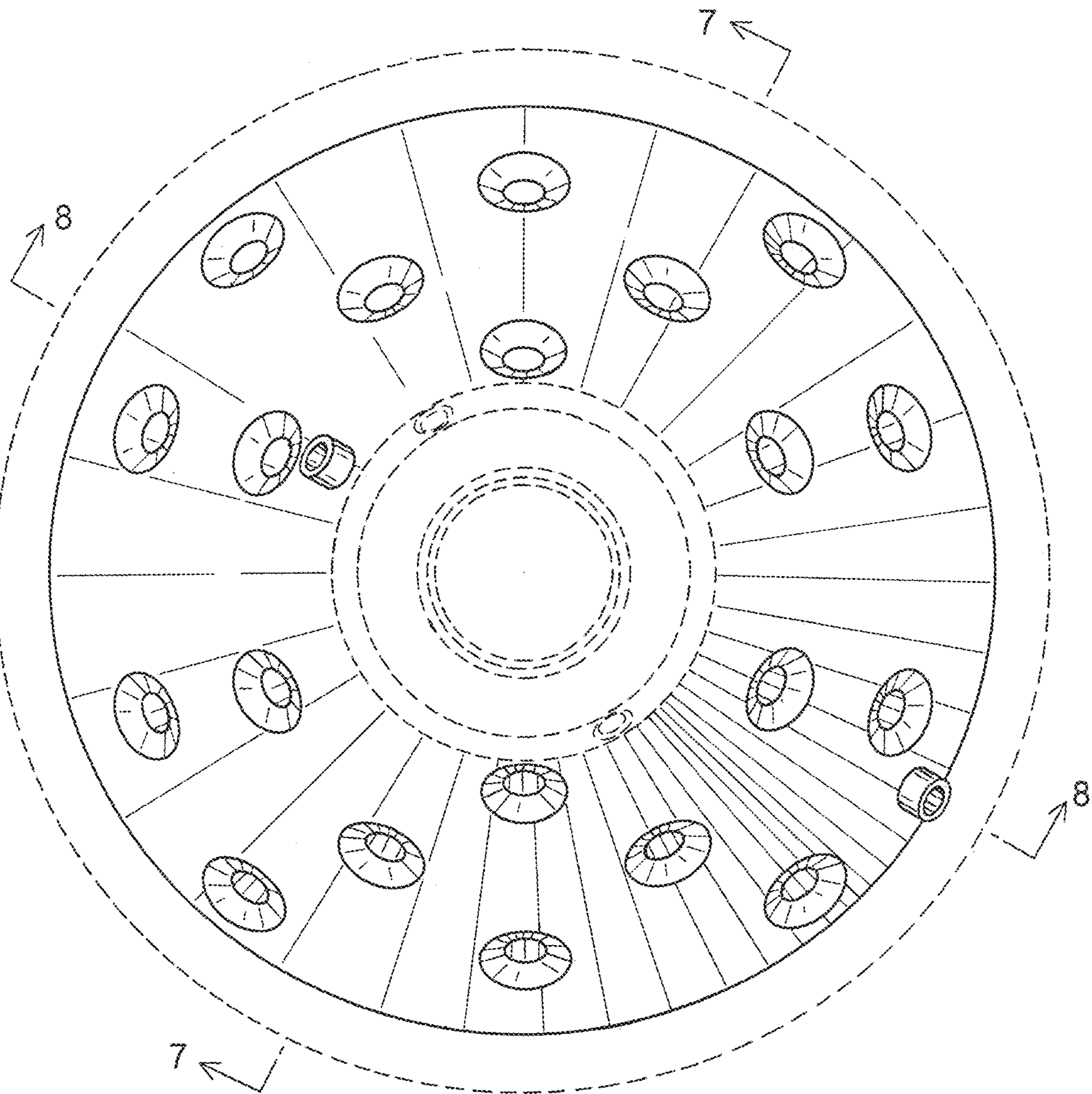


Fig. 5

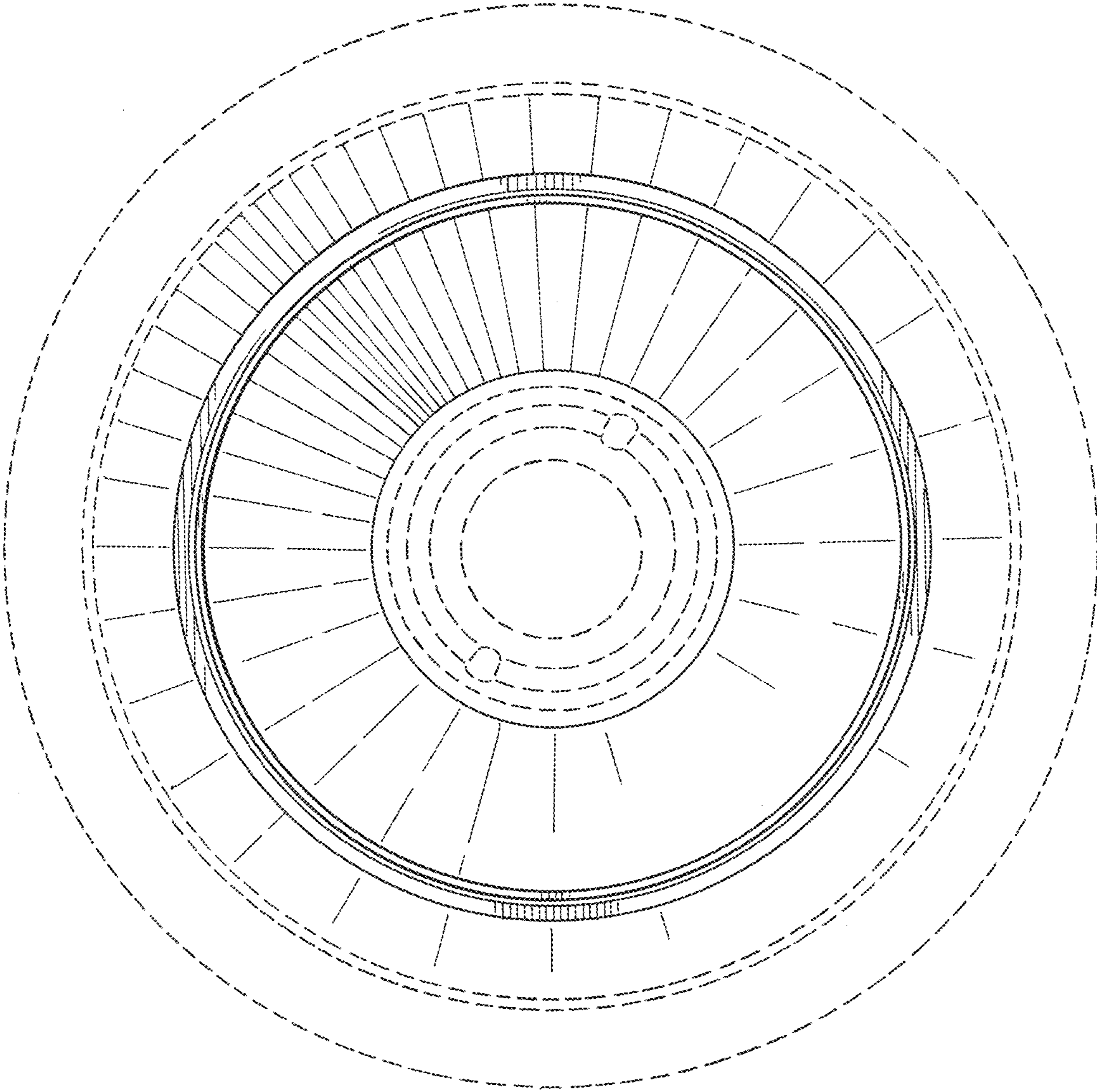


Fig. 6

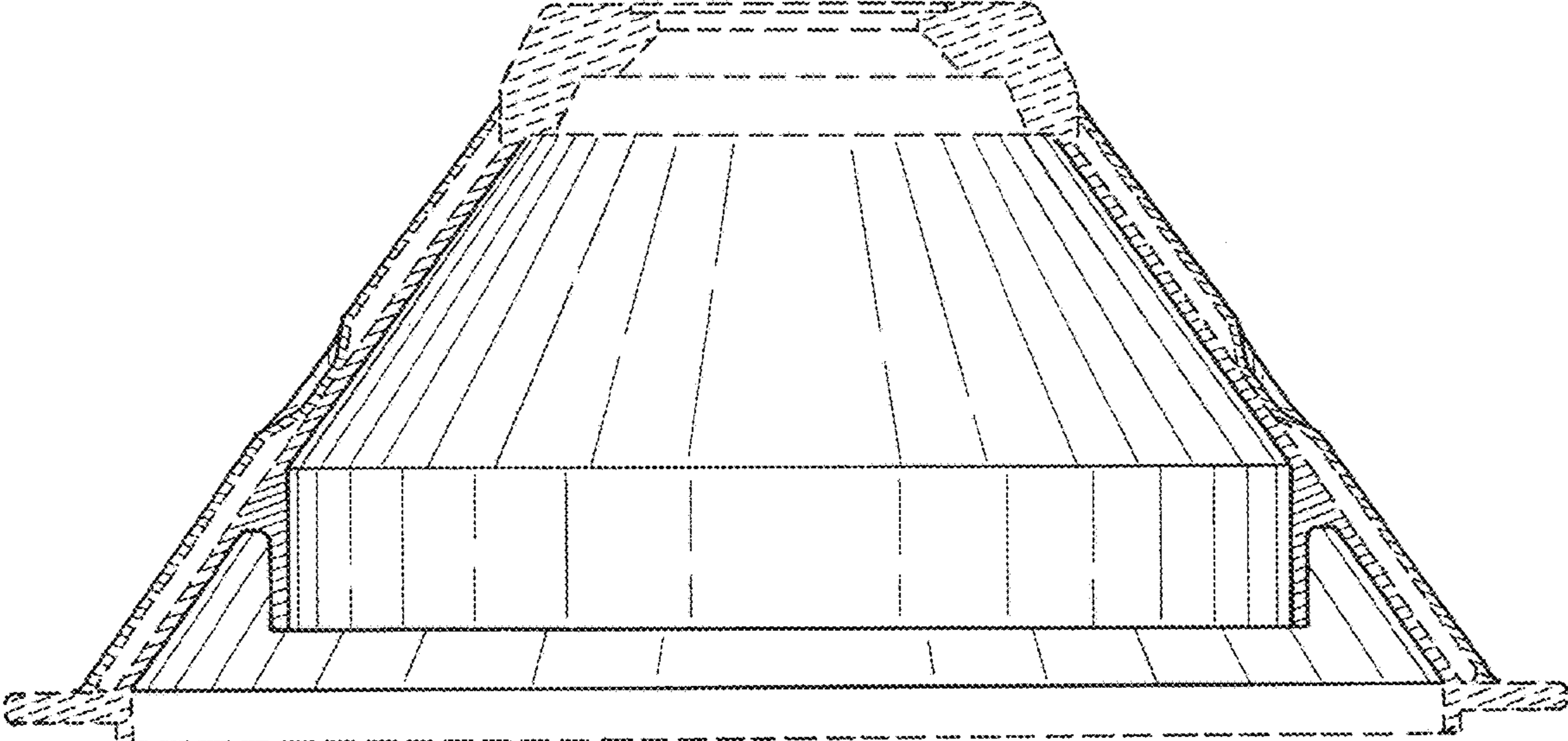


Fig. 7

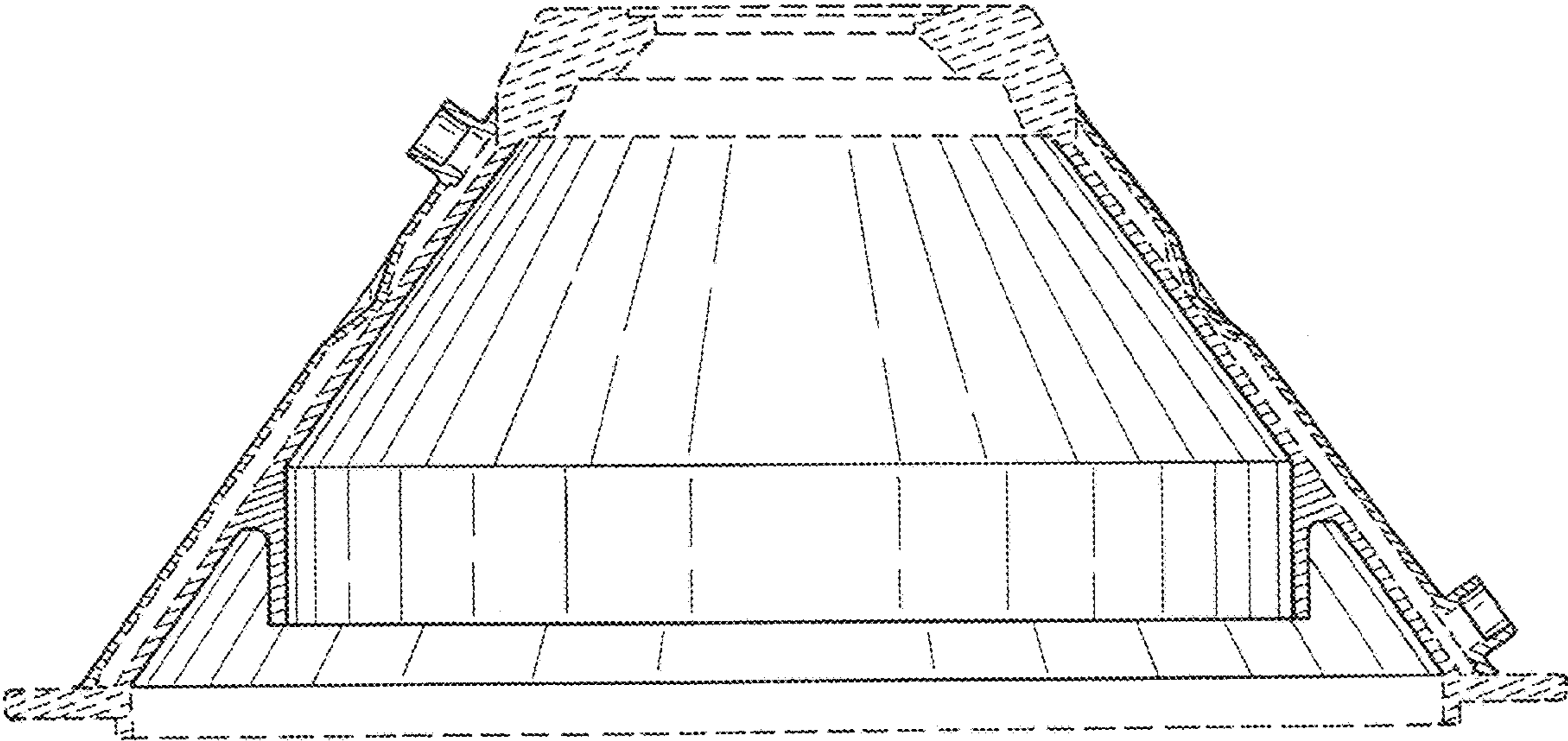


Fig. 8