



US00D895697S

(12) **United States Design Patent**
Jeon et al.

(10) **Patent No.:** **US D895,697 S**
(45) **Date of Patent:** **** Sep. 8, 2020**

(54) **DOOR FOR REFRIGERATOR**

DESCRIPTION

(71) Applicant: **Samsung Electronics Co., Ltd.**,
Suwon-si (KR)

(72) Inventors: **Sangwoon Jeon**, Seoul (KR); **Aeryun Kim**, Ansan-si (KR)

(73) Assignee: **Samsung Electronics Co., Ltd.**,
Suwon-si (KR)

(**) Term: **15 Years**

(21) Appl. No.: **29/643,951**

(22) Filed: **Apr. 13, 2018**

(30) **Foreign Application Priority Data**

Jan. 5, 2018 (KR) 30-2018-0000953

(51) **LOC (12) Cl.** **15-07**

(52) **U.S. Cl.**
USPC **D15/91**

(58) **Field of Classification Search**
USPC D15/79-91

(Continued)

(56) **References Cited**

U.S. PATENT DOCUMENTS

D78,961 S * 7/1929 Martin D15/85
D188,011 S * 5/1960 Ferar et al. D15/87

(Continued)

FOREIGN PATENT DOCUMENTS

CN 200930249093 11/2010
CN 201230018047 7/2012
KR 30-2006-0033494 7/2007

Primary Examiner — Khawaja Anwar

(74) *Attorney, Agent, or Firm* — NSIP Law

(57) **CLAIM**

We claim the ornamental design for a door for refrigerator,
as shown and described.

FIG. 1 is a front perspective view of a first embodiment of
a door for refrigerator showing our new design;

FIG. 2 is a front view thereof;

FIG. 3 is a rear view thereof;

FIG. 4 is a left-side view thereof;

FIG. 5 is a right-side view thereof;

FIG. 6 is a top view thereof;

FIG. 7 is a bottom view thereof;

FIG. 8 is an enlarged view of the encircled portion of FIG.
1;

FIG. 9 is an enlarged view of the encircled portion of FIG.
2;

FIG. 10 is a front perspective view of a second embodiment
of a door for refrigerator showing our new design;

FIG. 11 is a front view thereof;

FIG. 12 is a rear view thereof;

FIG. 13 is a left-side view thereof;

FIG. 14 is a right-side view thereof;

FIG. 15 is a top view thereof;

FIG. 16 is a bottom view thereof;

FIG. 17 is an enlarged view of the encircled portion in FIG.
10;

FIG. 18 is an enlarged view of the encircled portion in FIG.
11;

FIG. 19 is a front perspective view of a third embodiment of
a door for refrigerator showing our new design;

FIG. 20 is a front view thereof;

FIG. 21 is a rear view thereof;

FIG. 22 is a left-side view thereof;

FIG. 23 is a right-side view thereof;

FIG. 24 is a top view thereof;

FIG. 25 is a bottom view thereof;

FIG. 26 is an enlarged view of the encircled portion in FIG.
19;

FIG. 27 is an enlarged view of the encircled portion in FIG.
23

FIG. 28 is a front perspective view of a fourth embodiment
of a door for refrigerator showing our new design;

FIG. 29 is a front view thereof;

FIG. 30 is a rear view thereof;

FIG. 31 is a left-side view thereof;

(Continued)

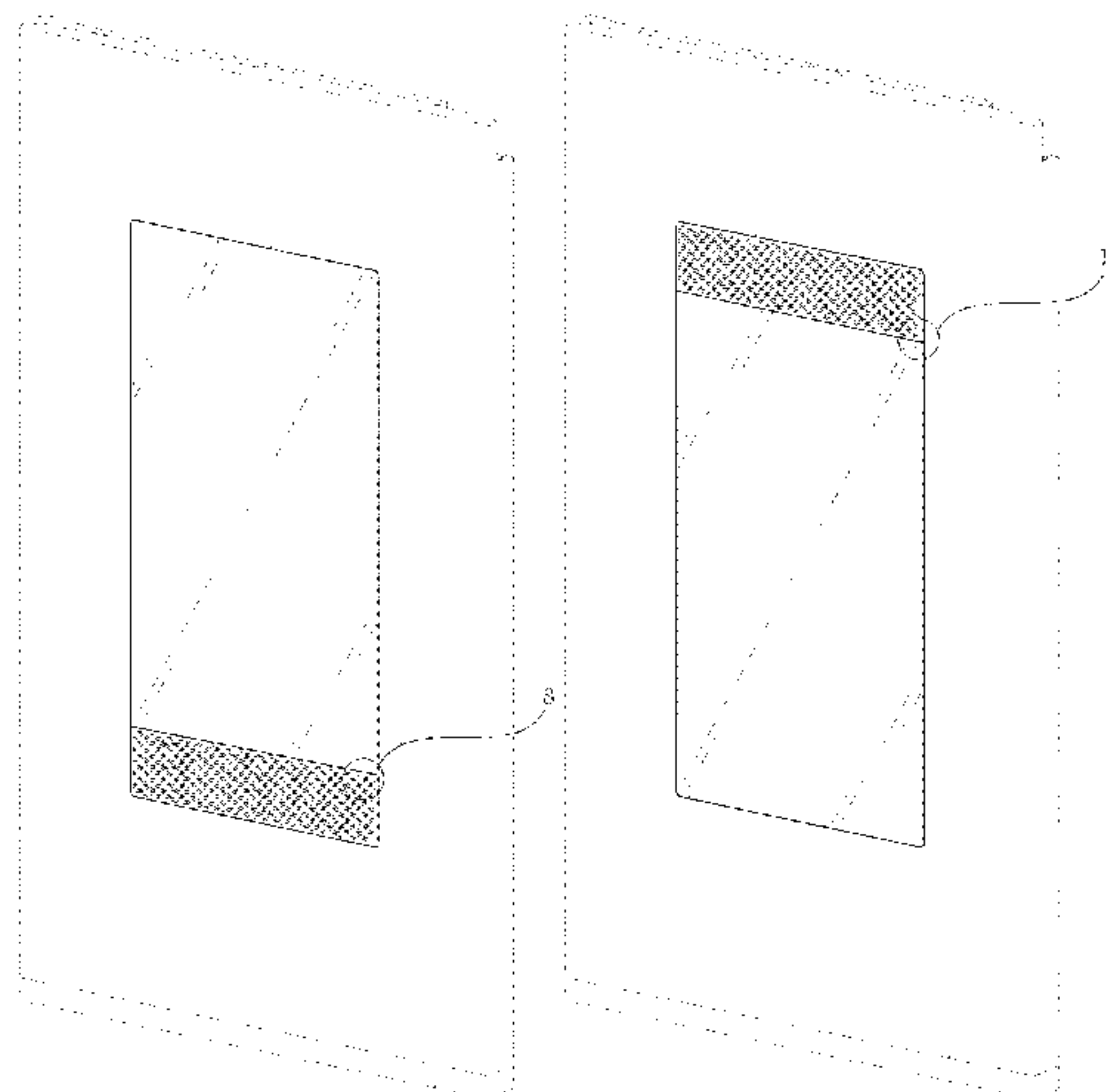


FIG. 32 is a right-side view thereof;
 FIG. 33 is a top view thereof;
 FIG. 34 is a bottom view thereof;
 FIG. 35 is an enlarged view of the encircled portion in FIG. 28;
 FIG. 36 is an enlarged view of the encircled portion in FIG. 32;
 FIG. 37 is a front perspective view of a fifth embodiment of a door for refrigerator showing our new design;
 FIG. 38 is a front view thereof;
 FIG. 39 is a rear view thereof;
 FIG. 40 is a left-side view thereof;
 FIG. 41 is a right-side view thereof;
 FIG. 42 is a top view thereof;
 FIG. 43 is a bottom view thereof;
 FIG. 44 is an enlarged view of the encircled portion in FIG. 37;
 FIG. 45 is an enlarged view of the encircled portion in FIG. 41;
 FIG. 46 is a front perspective view of a sixth embodiment of a door for refrigerator showing our new design;
 FIG. 47 is a front view thereof;
 FIG. 48 is a rear view thereof;
 FIG. 49 is a left-side view thereof;
 FIG. 50 is a right-side view thereof;
 FIG. 51 is a top view thereof;
 FIG. 52 is a bottom view thereof;
 FIG. 53 is an enlarged view of the encircled portion in FIG. 46; and,
 FIG. 54 is an enlarged view of the encircled portion in FIG. 50.

The broken lines in the figures show portions of the door for refrigerator which form no part of the claimed design.

The dot-dash broken lines encircling portions of the claimed design that are illustrated in enlargements form no part of the claimed design.

1 Claim, 42 Drawing Sheets

(58) **Field of Classification Search**

CPC F25D 25/025; F25D 23/028; F25D 2323/024; F25D 23/00; F25D 23/02; F25D 2323/021; F25D 23/065; F25D 11/00; F25D 2201/14; F25D 23/021; F25D 23/025; F25D 23/04; F25D 27/00; F25D 23/062; F25D 23/067; F25D 2400/18; F25D 23/08; F25D 23/085; F25D 2500/02; F25D 25/00; F25D 25/005; F25D 25/022; F25D 25/024; F25D 17/047; F25D 2317/041; F25D 2317/04131; F25D 2317/043; F25D 2317/0664; F25D 2321/147; F25D 2323/02; F25D 2323/023

See application file for complete search history.

(56) **References Cited**

U.S. PATENT DOCUMENTS

| | | | | | | |
|----------|---|---|---------|----------------|-------|---------|
| D200,679 | S | * | 3/1965 | Ferar et al. | | D15/87 |
| D340,244 | S | * | 10/1993 | Christie | | D14/214 |
| D477,307 | S | * | 7/2003 | Tierney | | D14/214 |
| D519,528 | S | | 4/2006 | Reese | | |
| D571,828 | S | * | 6/2008 | Braun | | D15/89 |
| D701,541 | S | | 3/2014 | Dickman et al. | | |
| D739,365 | S | * | 9/2015 | Garcia | | D14/126 |
| D868,851 | S | * | 12/2019 | Lee | | D15/91 |
| D870,163 | S | * | 12/2019 | Yoon | | D15/91 |

* cited by examiner

FIG. 1

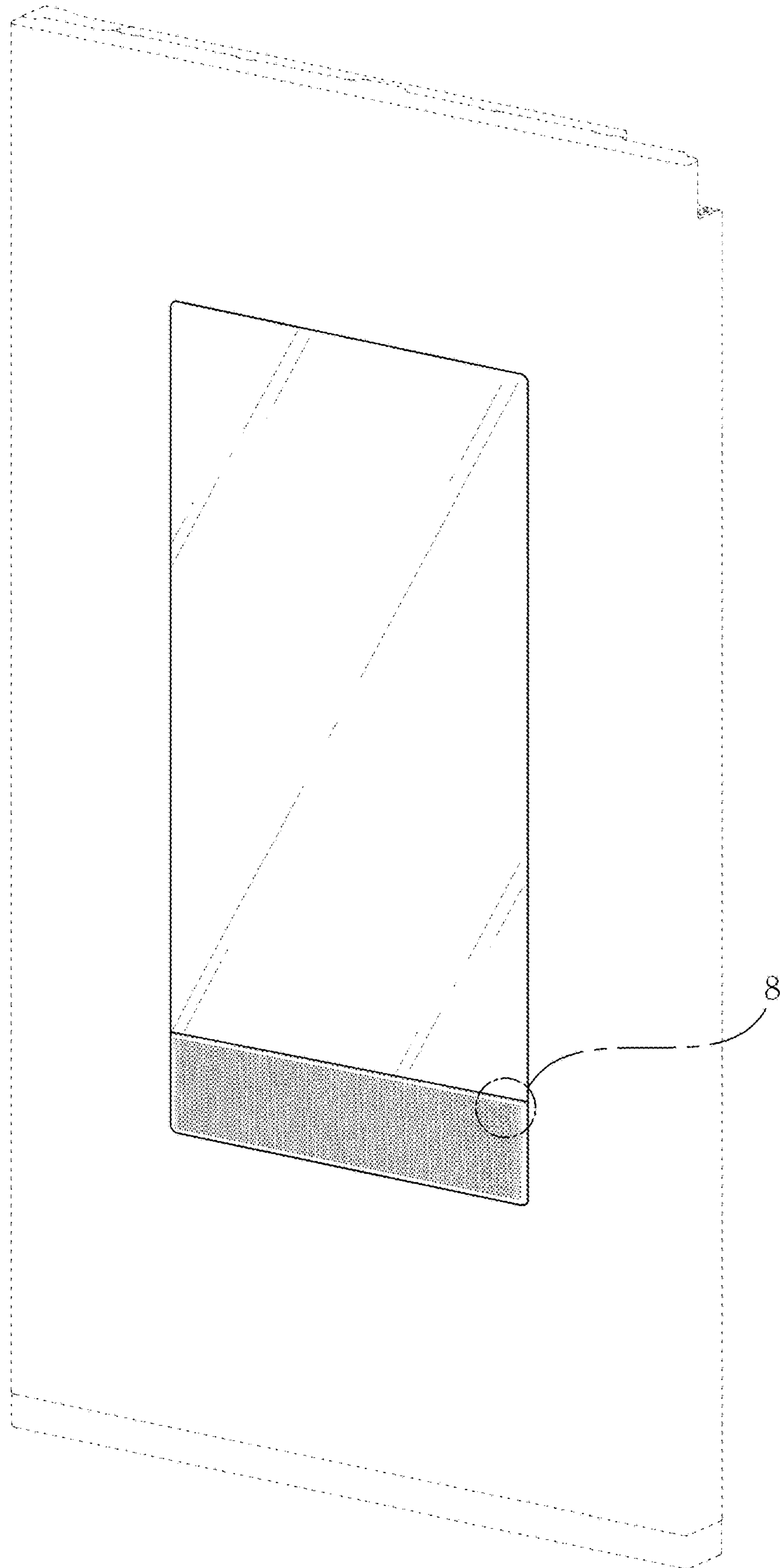


FIG. 2

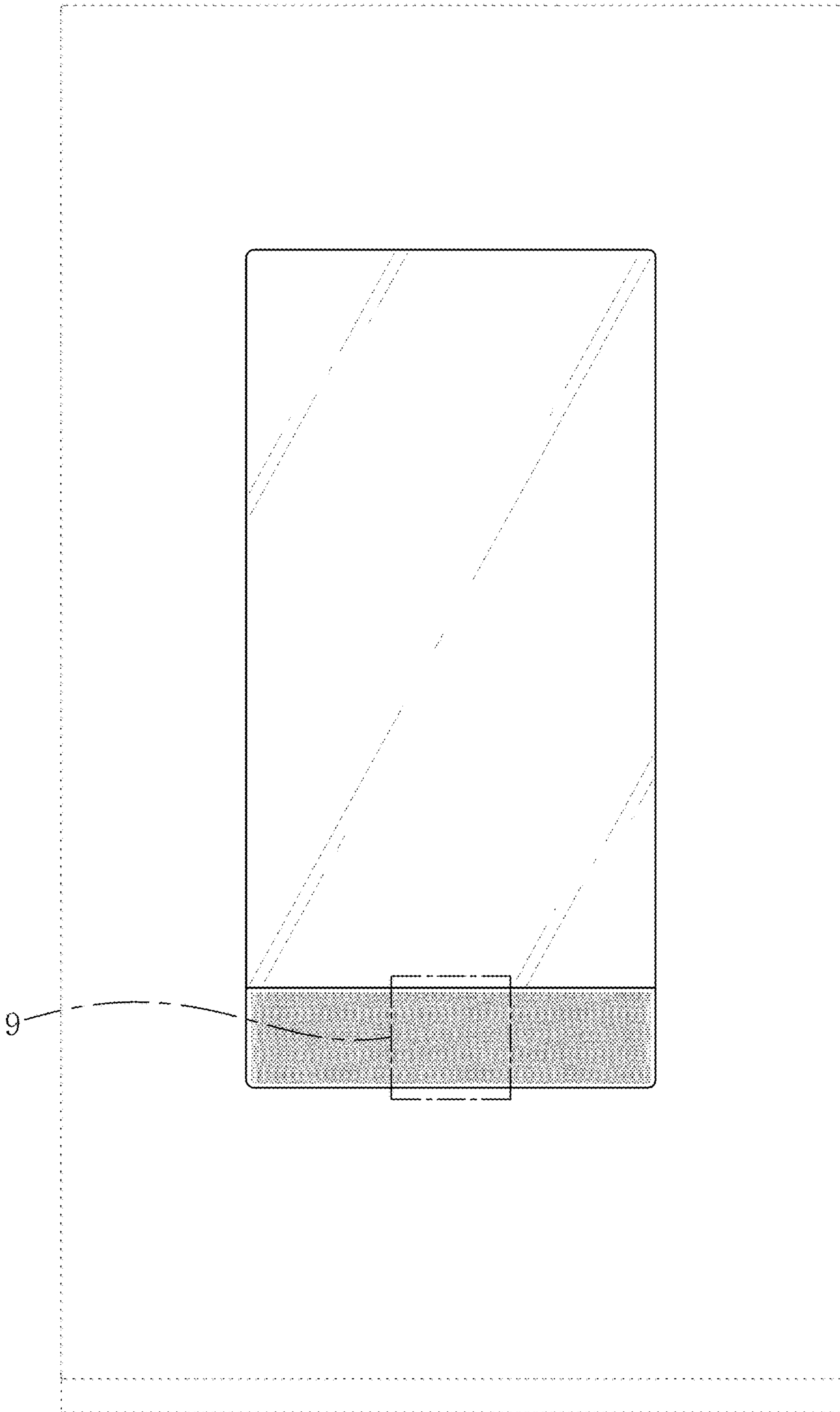


FIG. 3

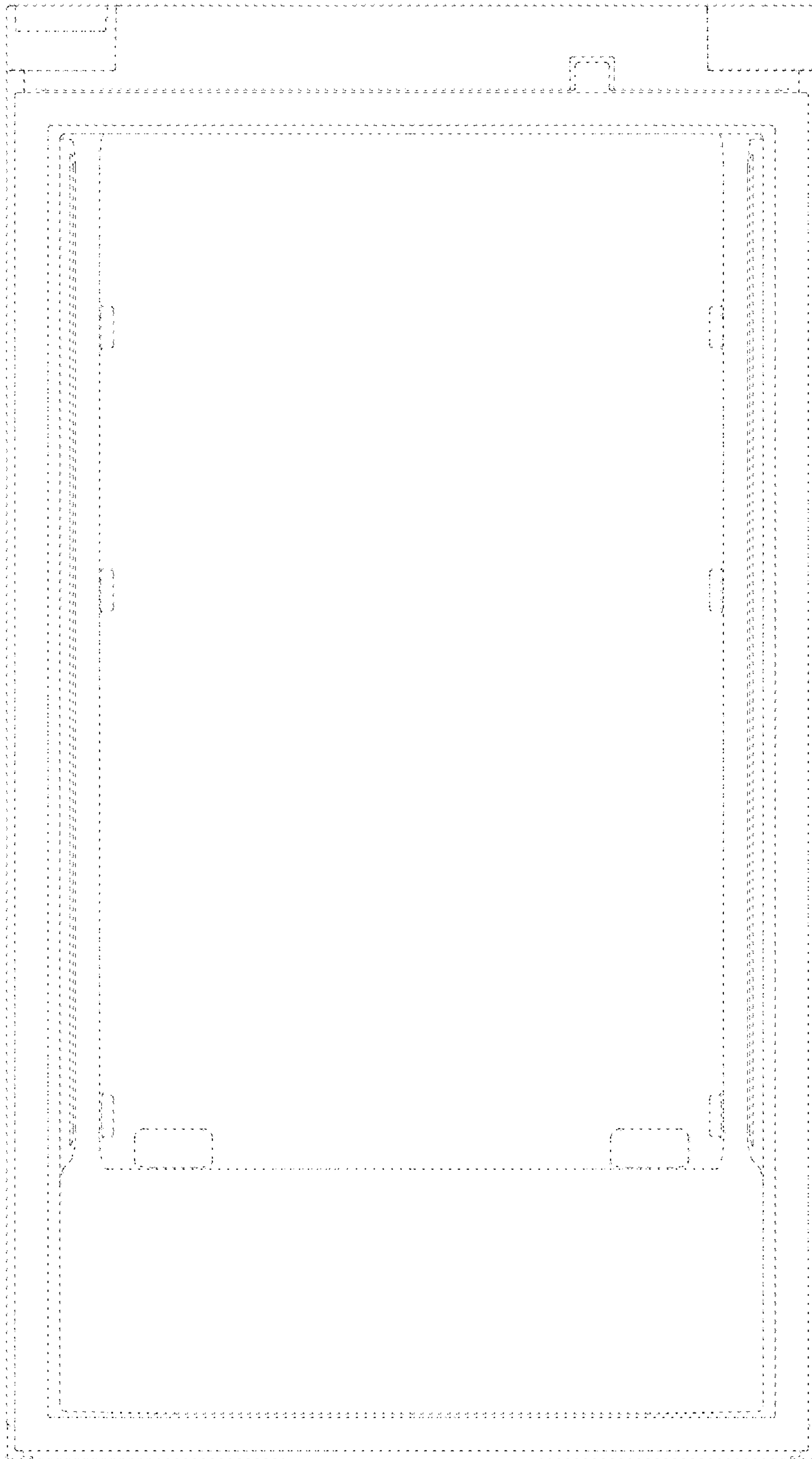


FIG. 4

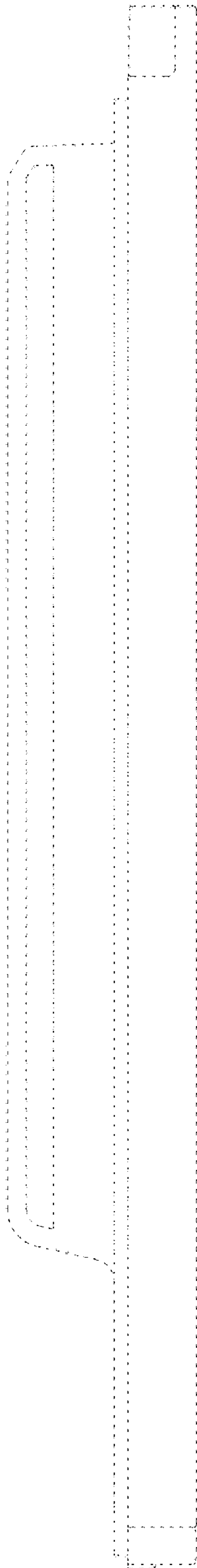


FIG. 5

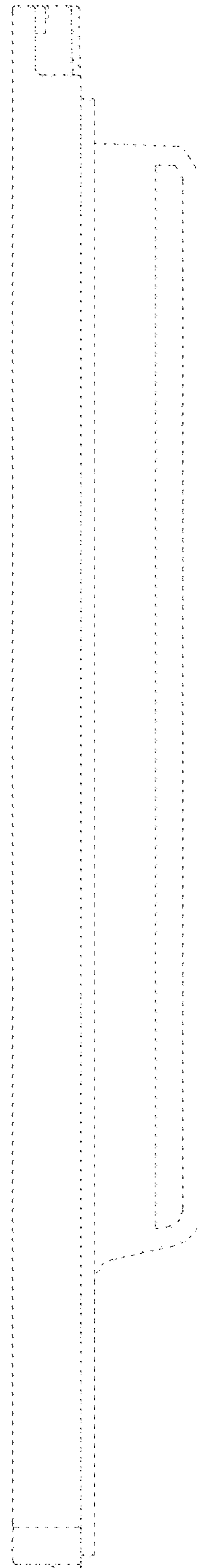


FIG. 6

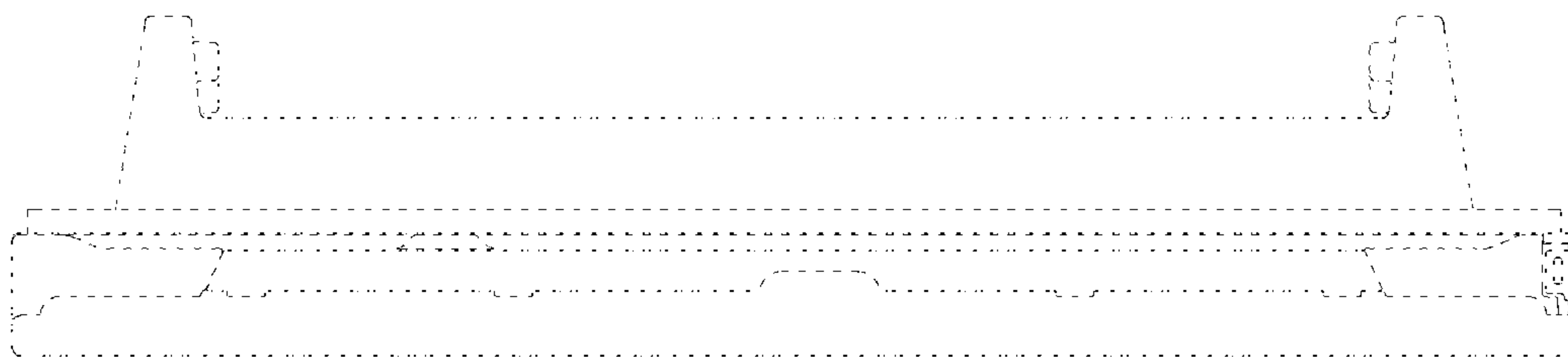


FIG. 7

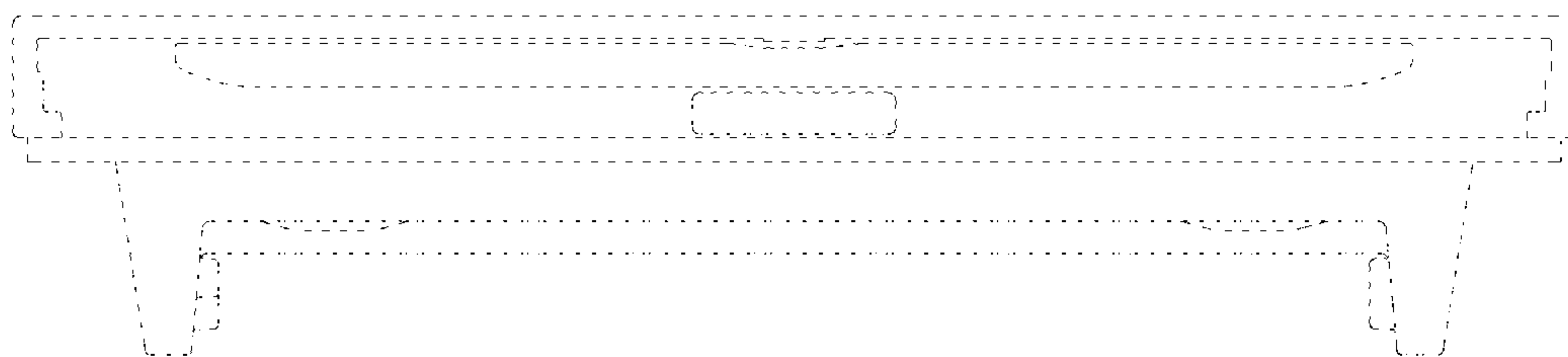


FIG. 8

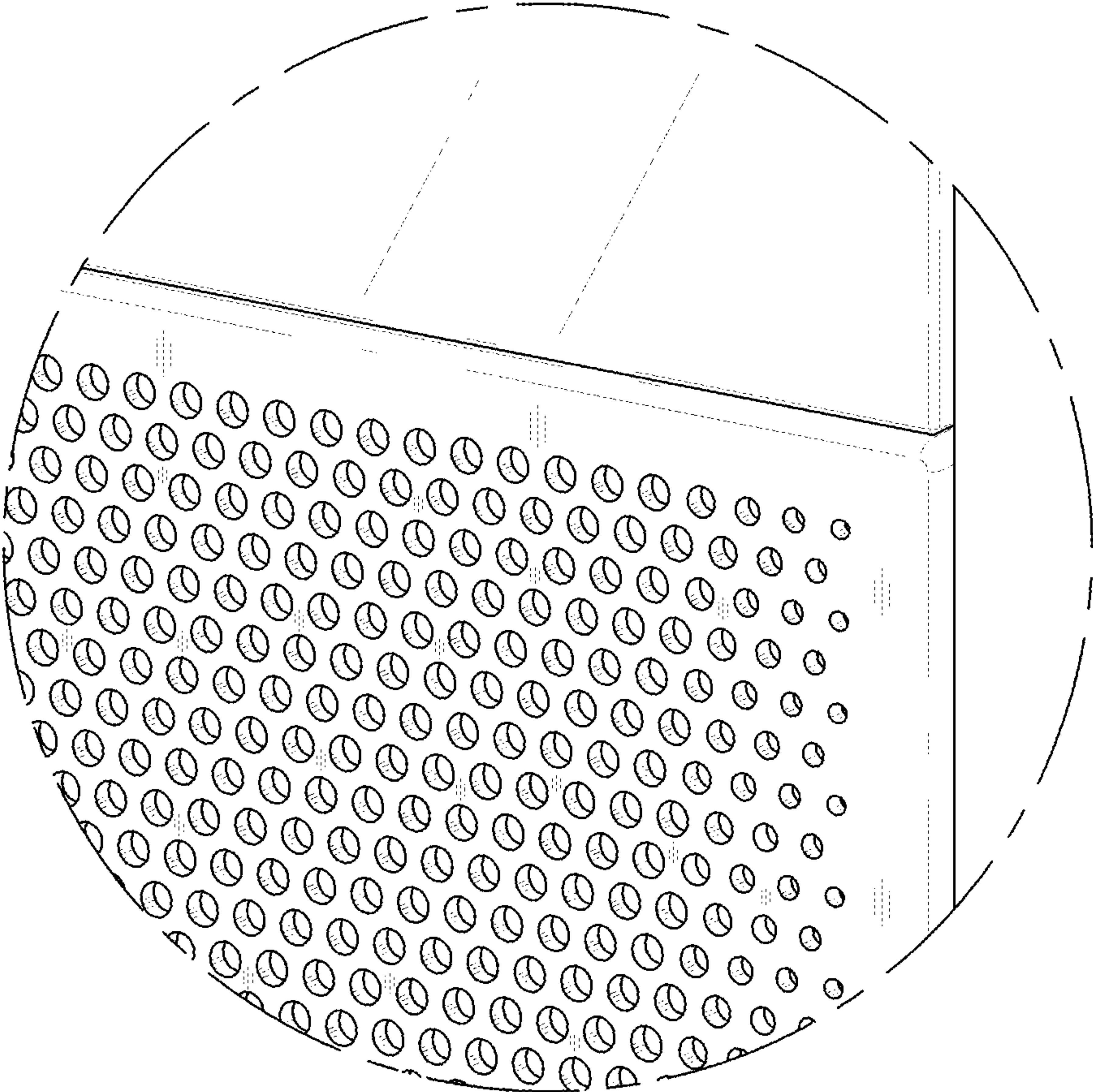


FIG. 9

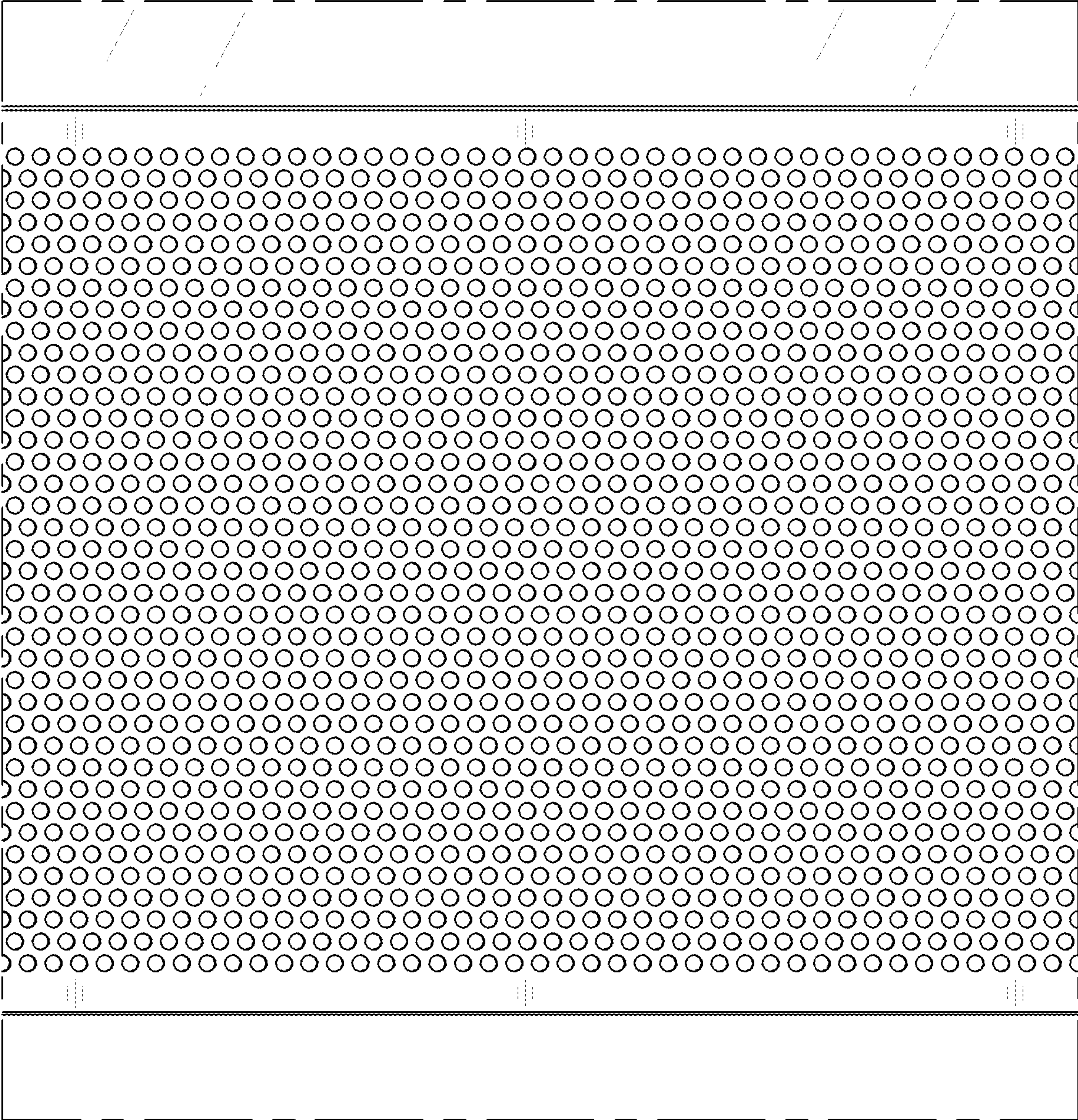


FIG. 10

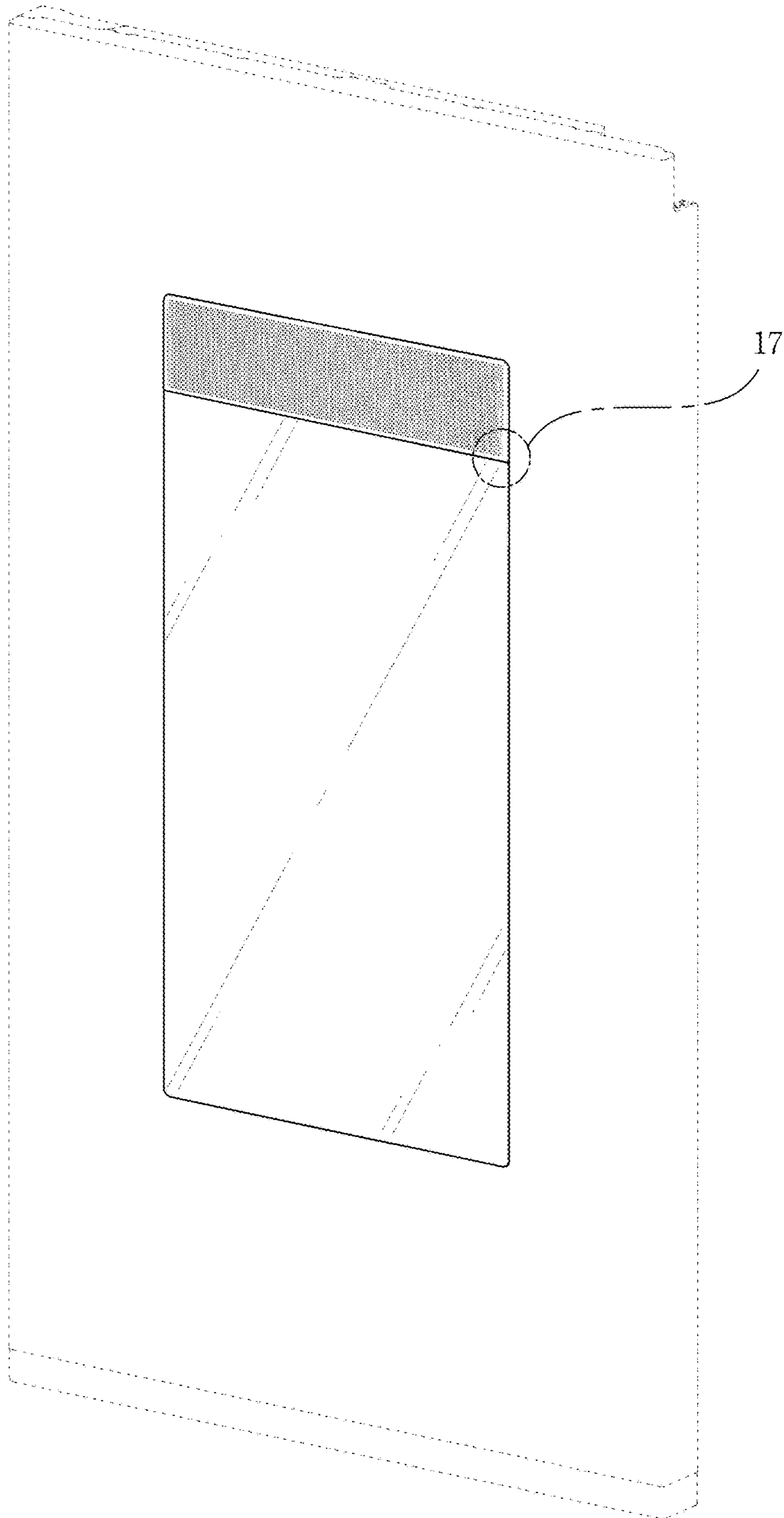


FIG. 11

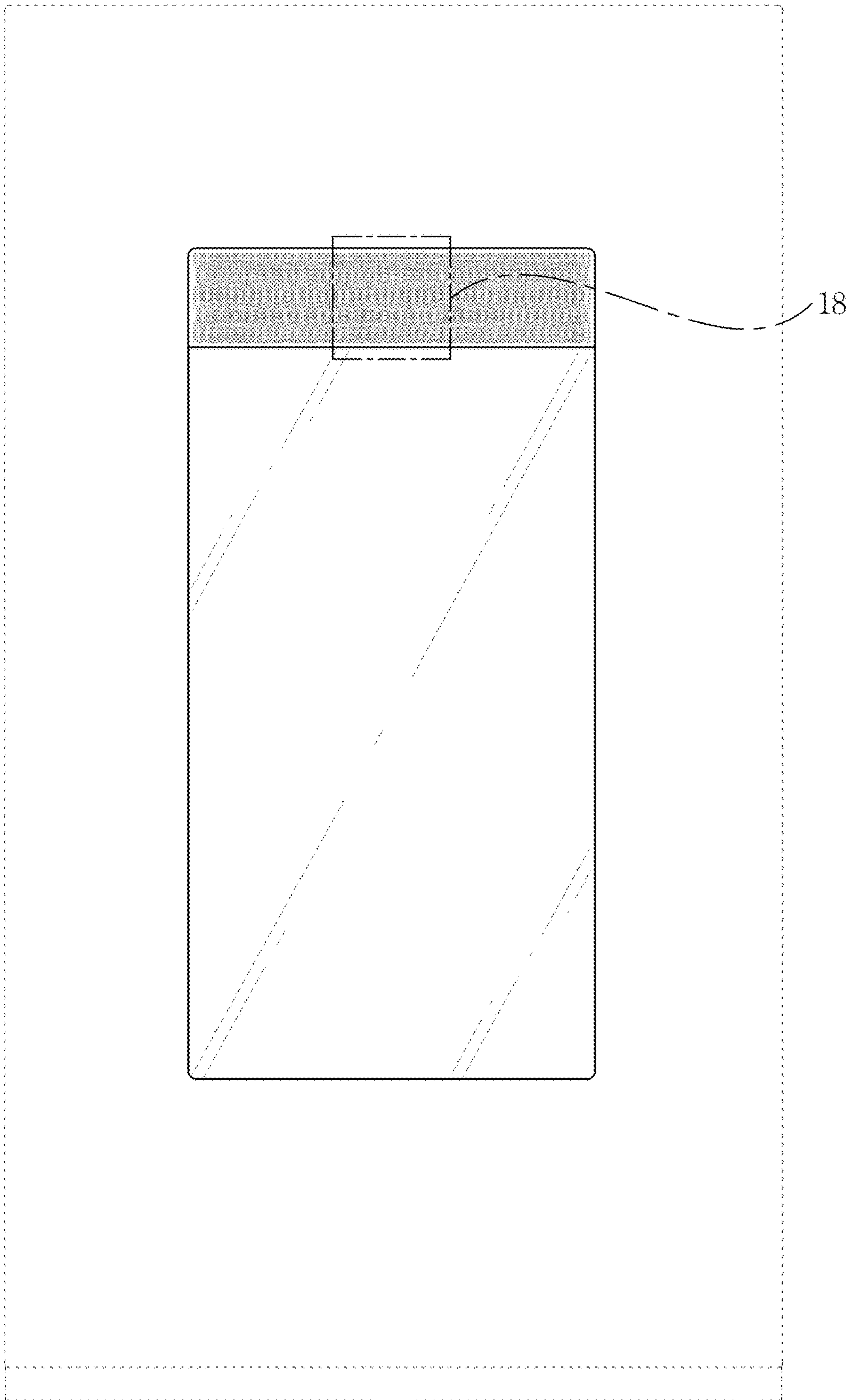


FIG. 12

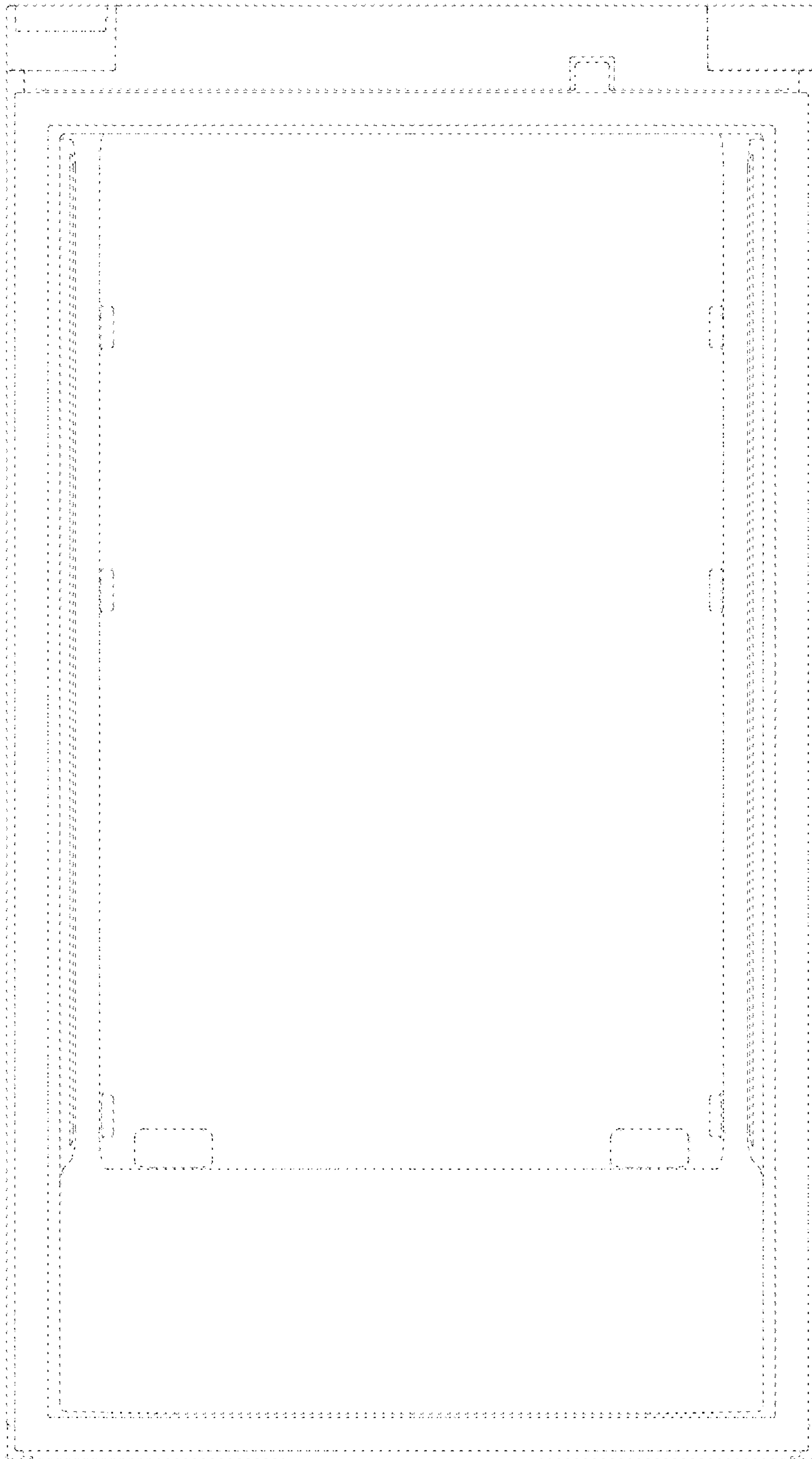


FIG. 13

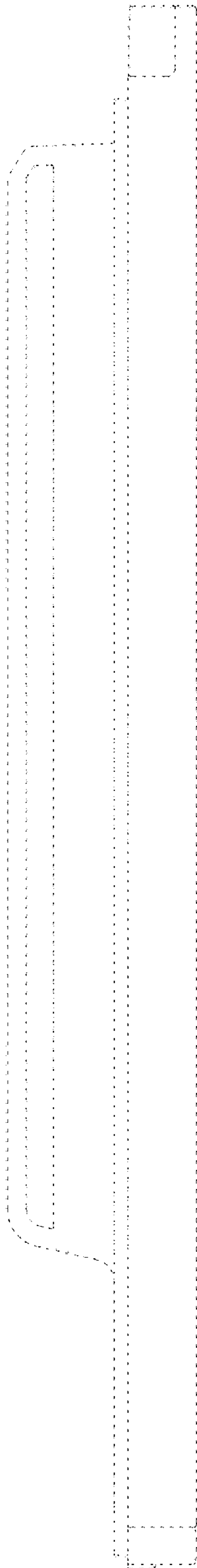


FIG. 14

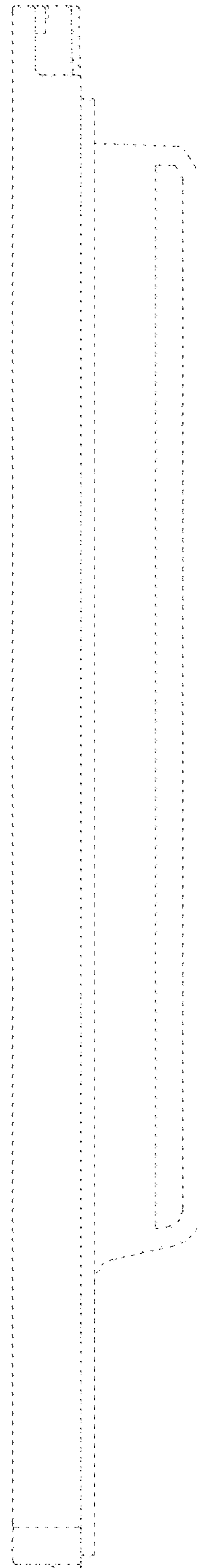


FIG. 15

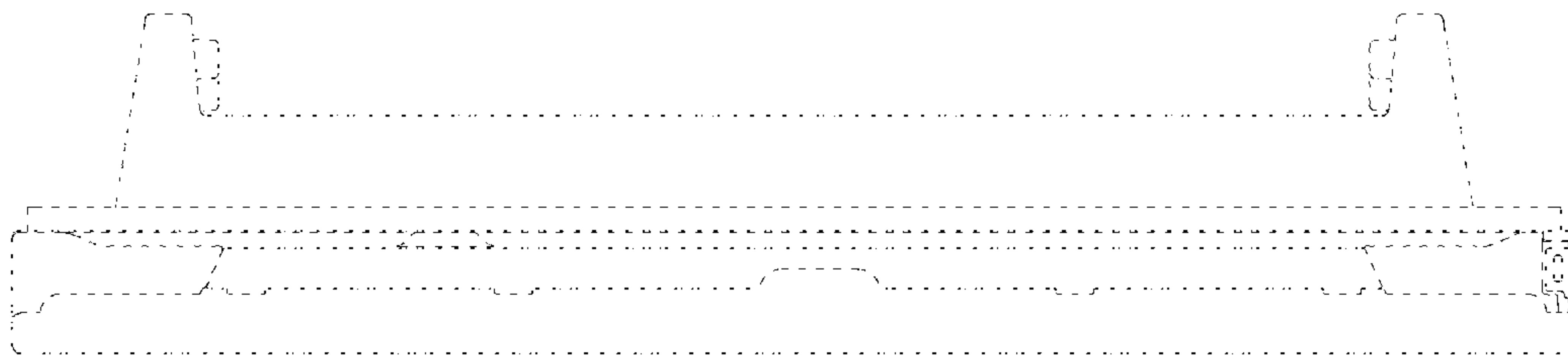


FIG. 16

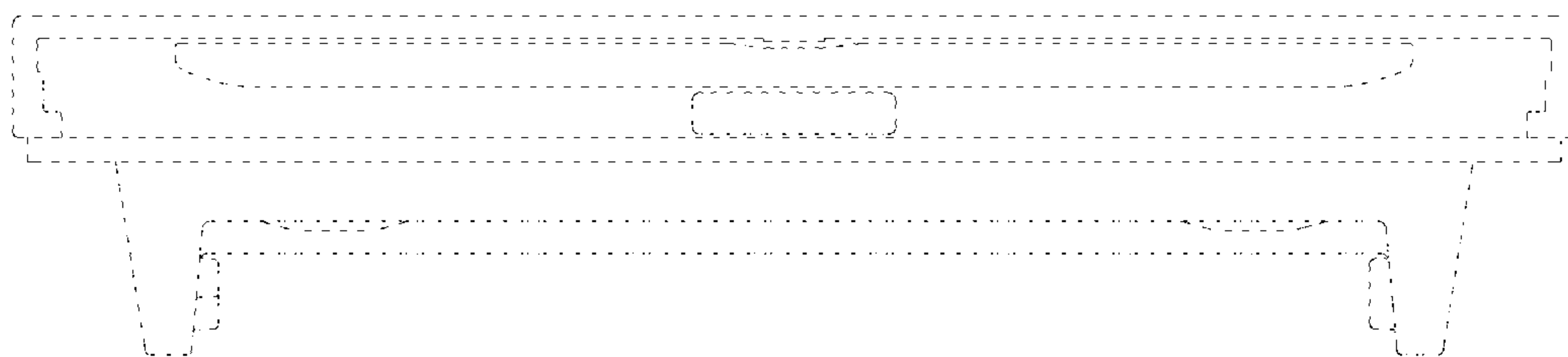


FIG. 17

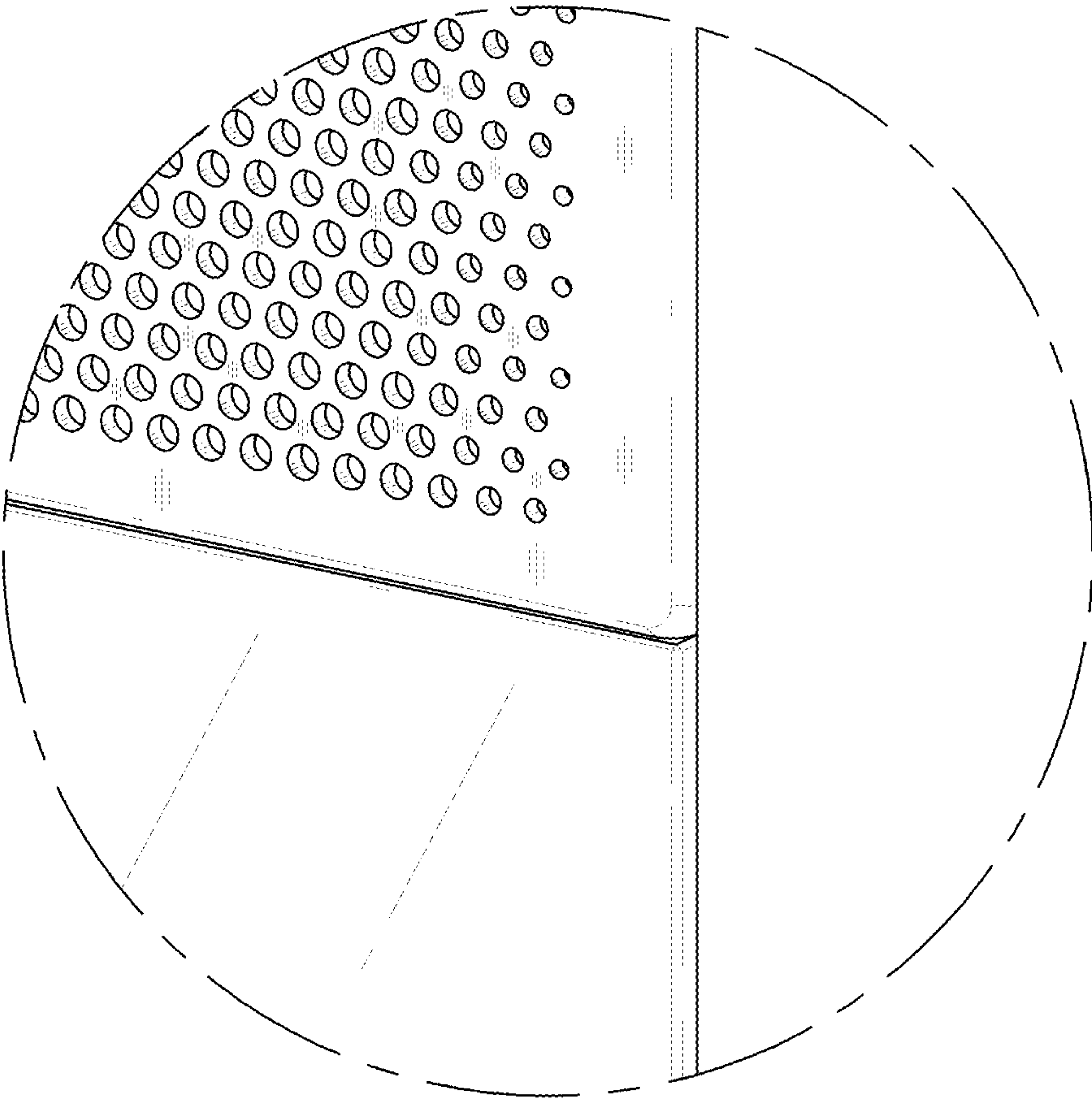


FIG. 18

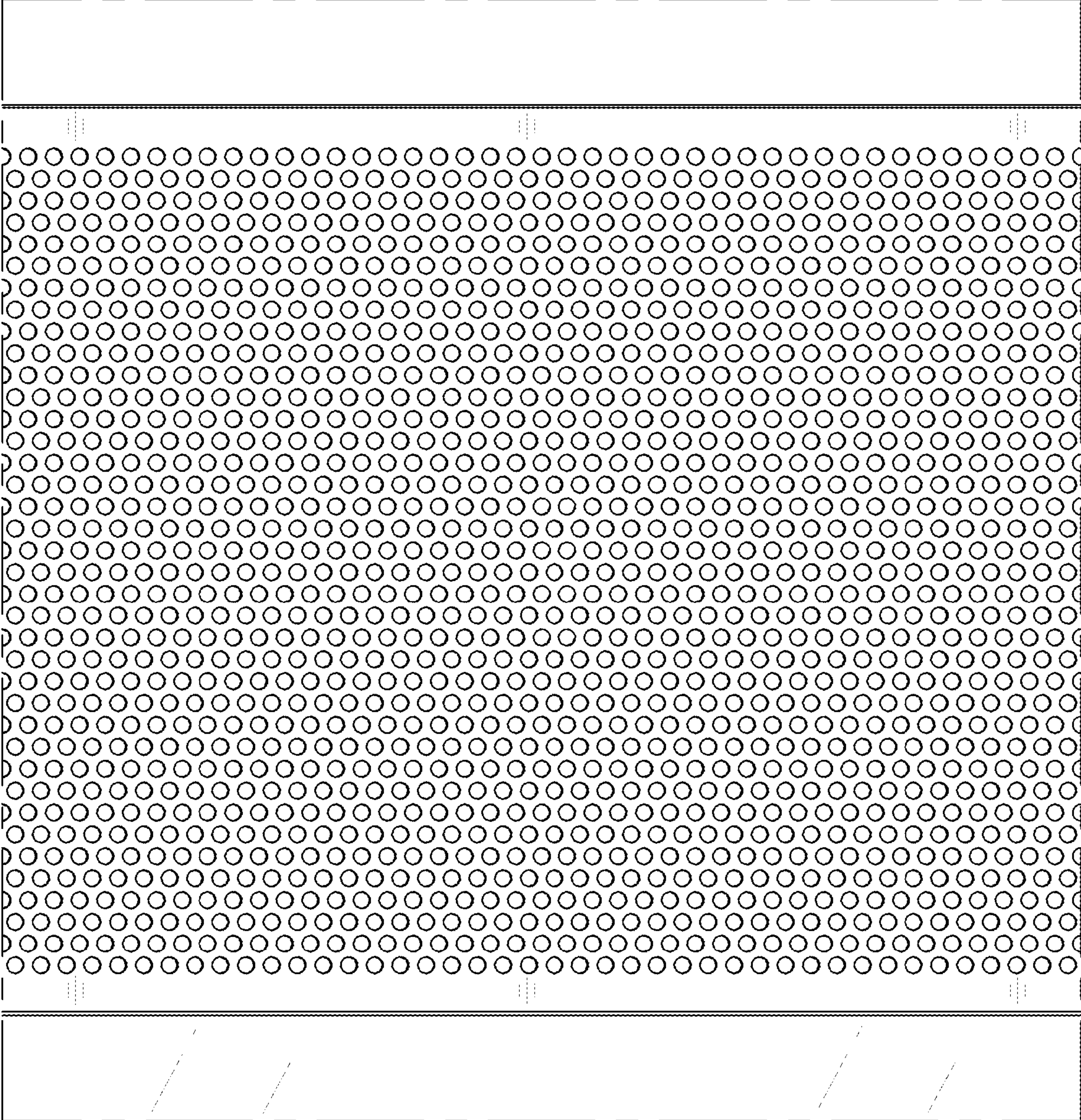


FIG. 19

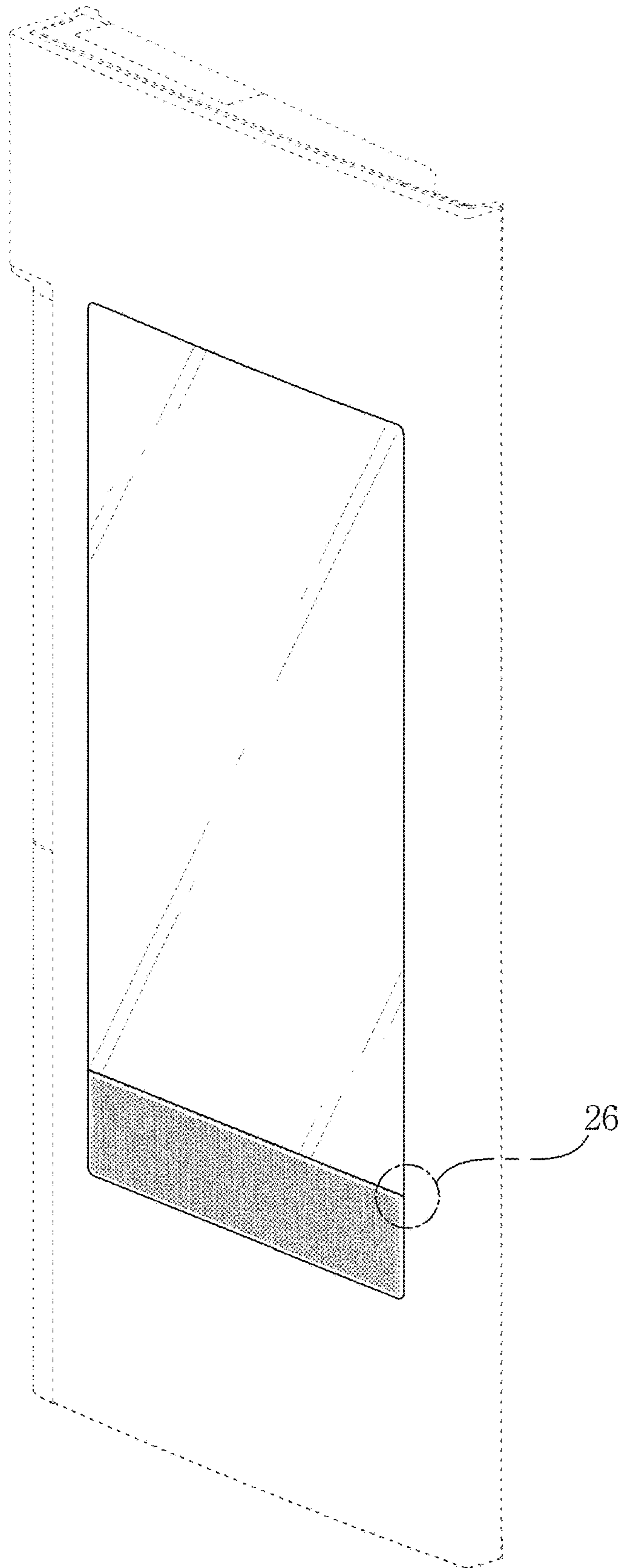


FIG. 20

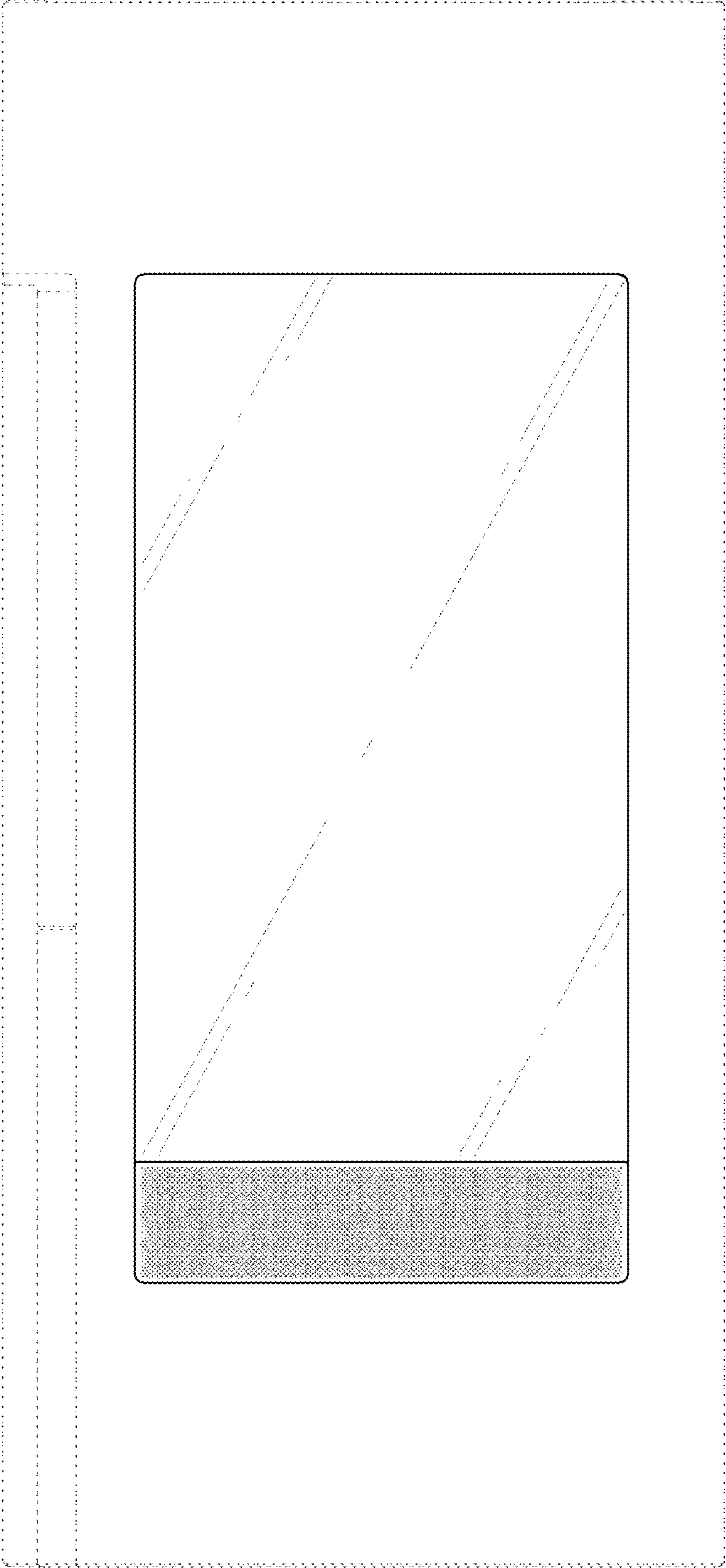


FIG. 21

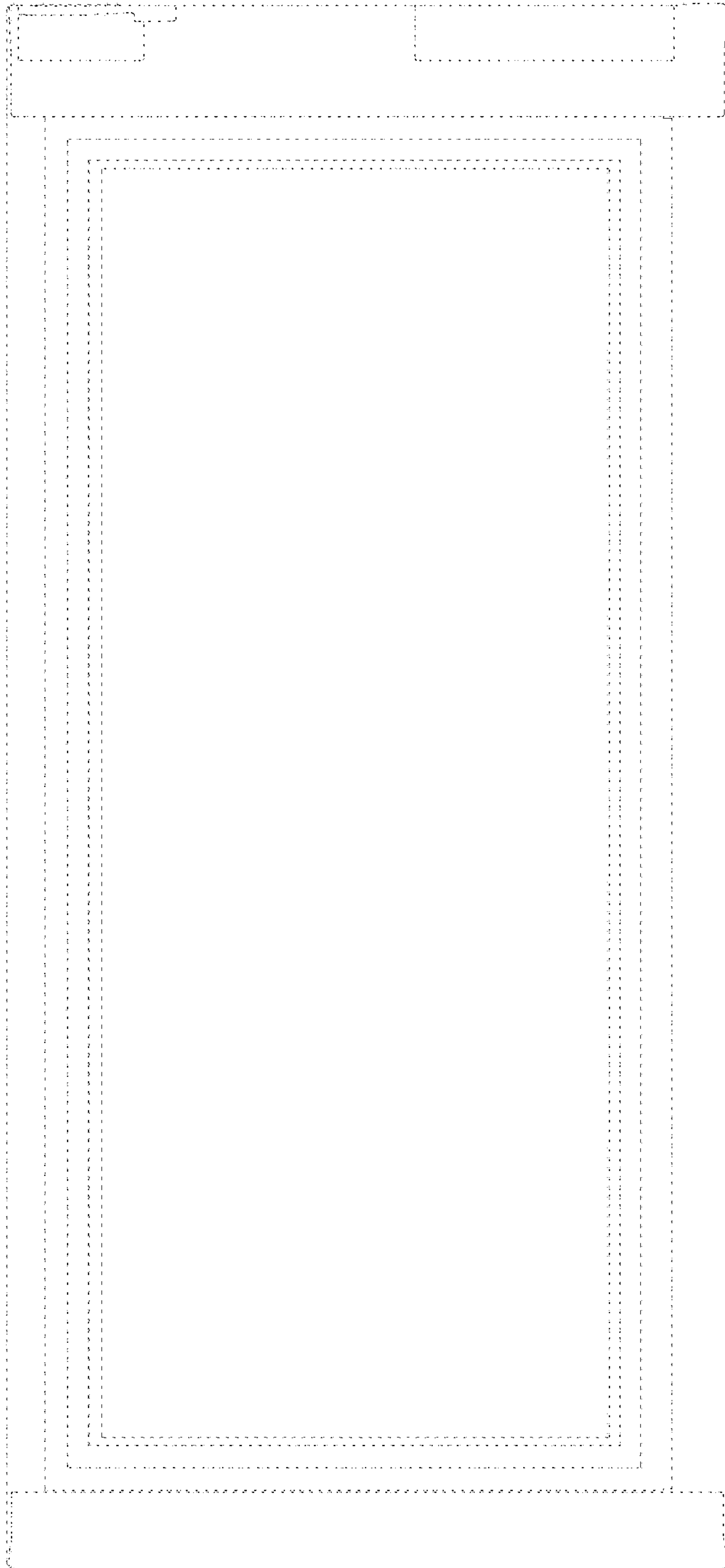


FIG. 22

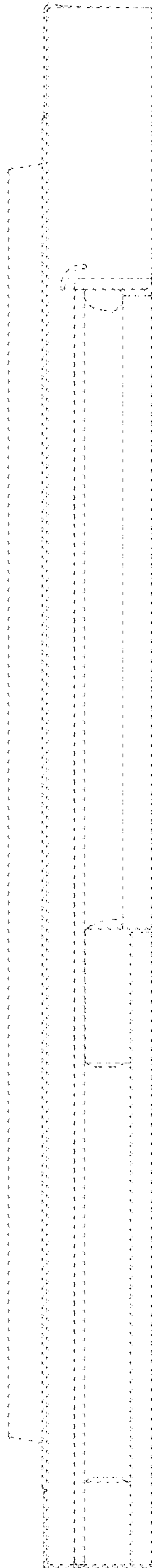


FIG. 23

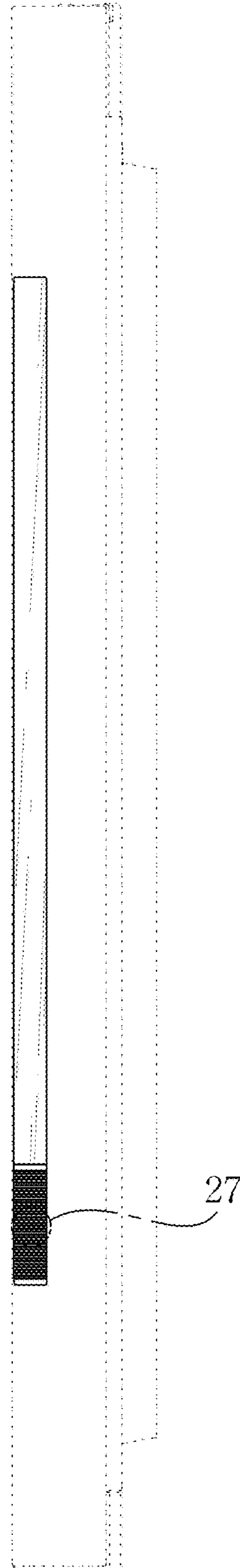


FIG. 24

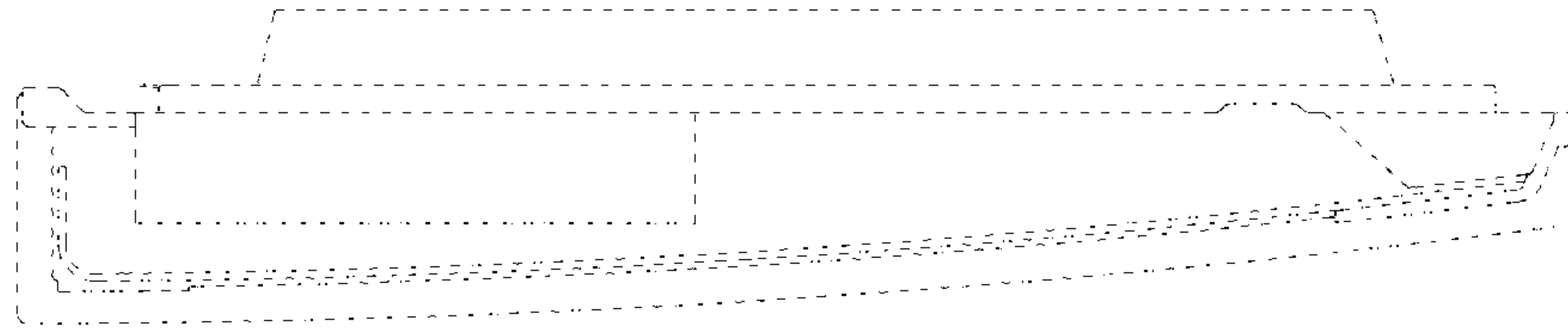


FIG. 25

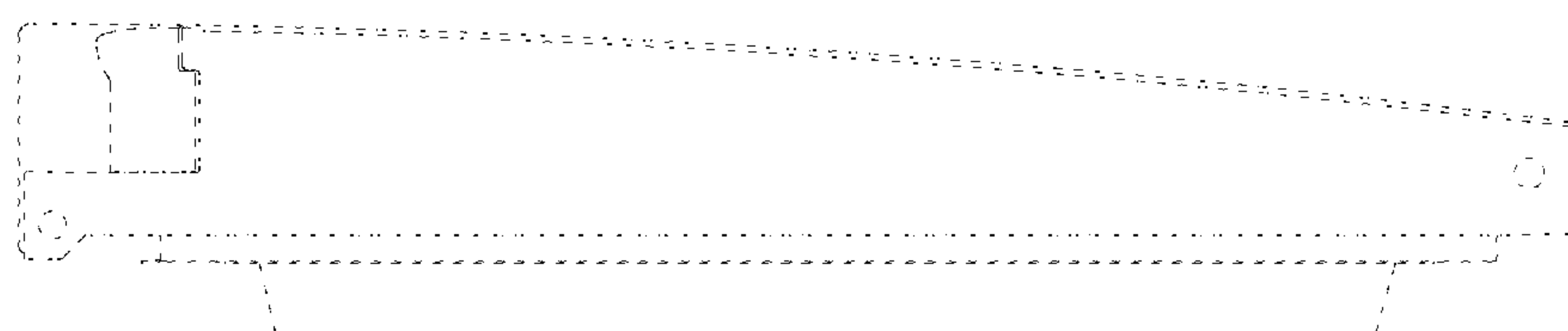


FIG. 26

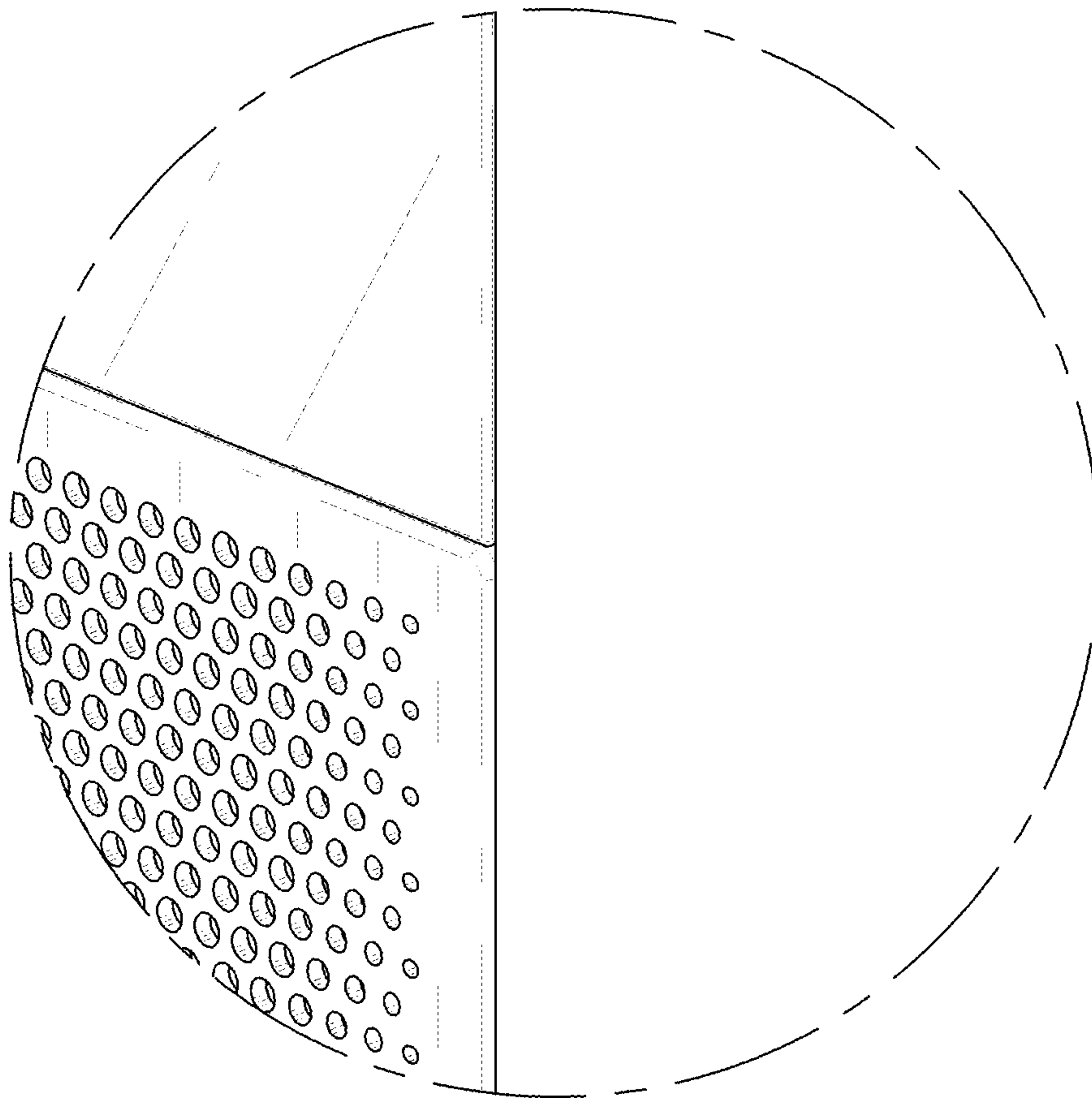


FIG. 27

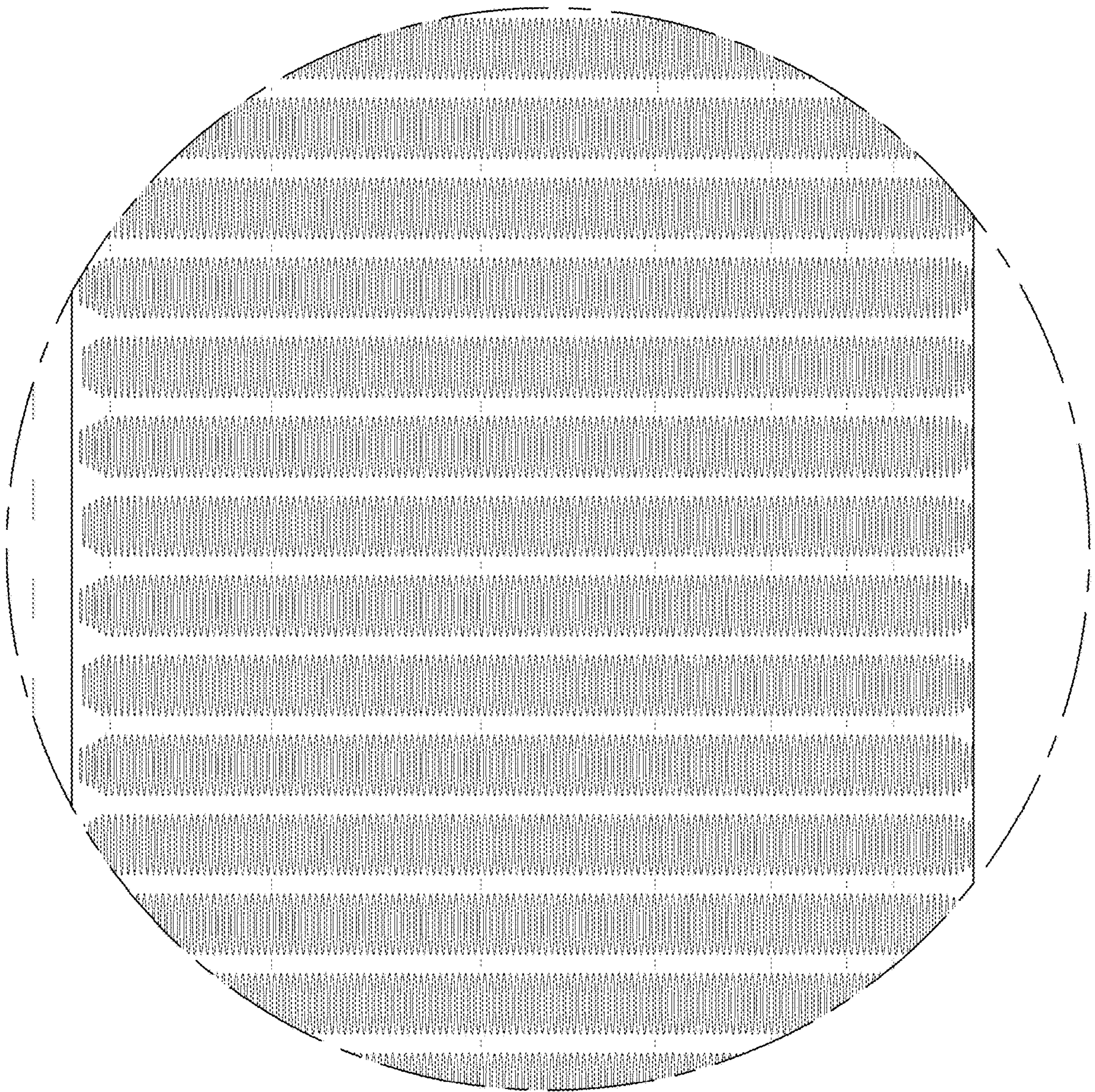


FIG. 28

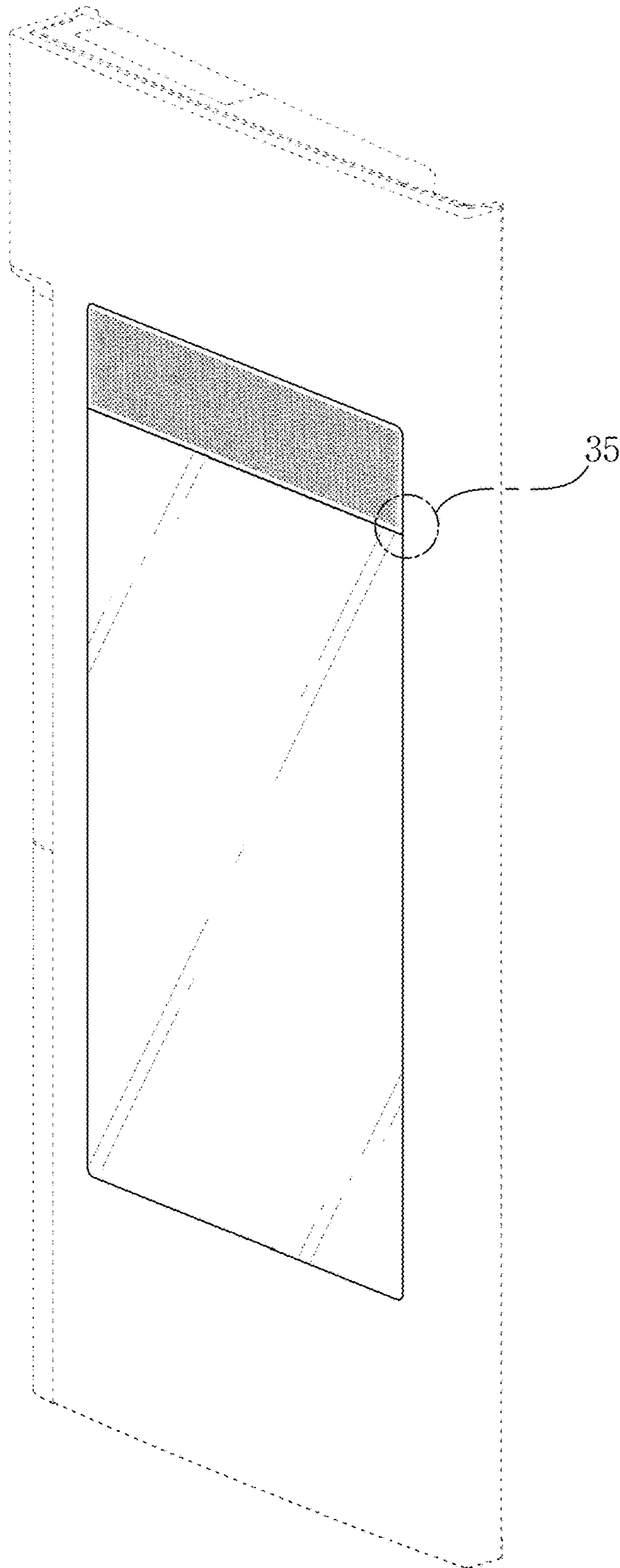


FIG. 29

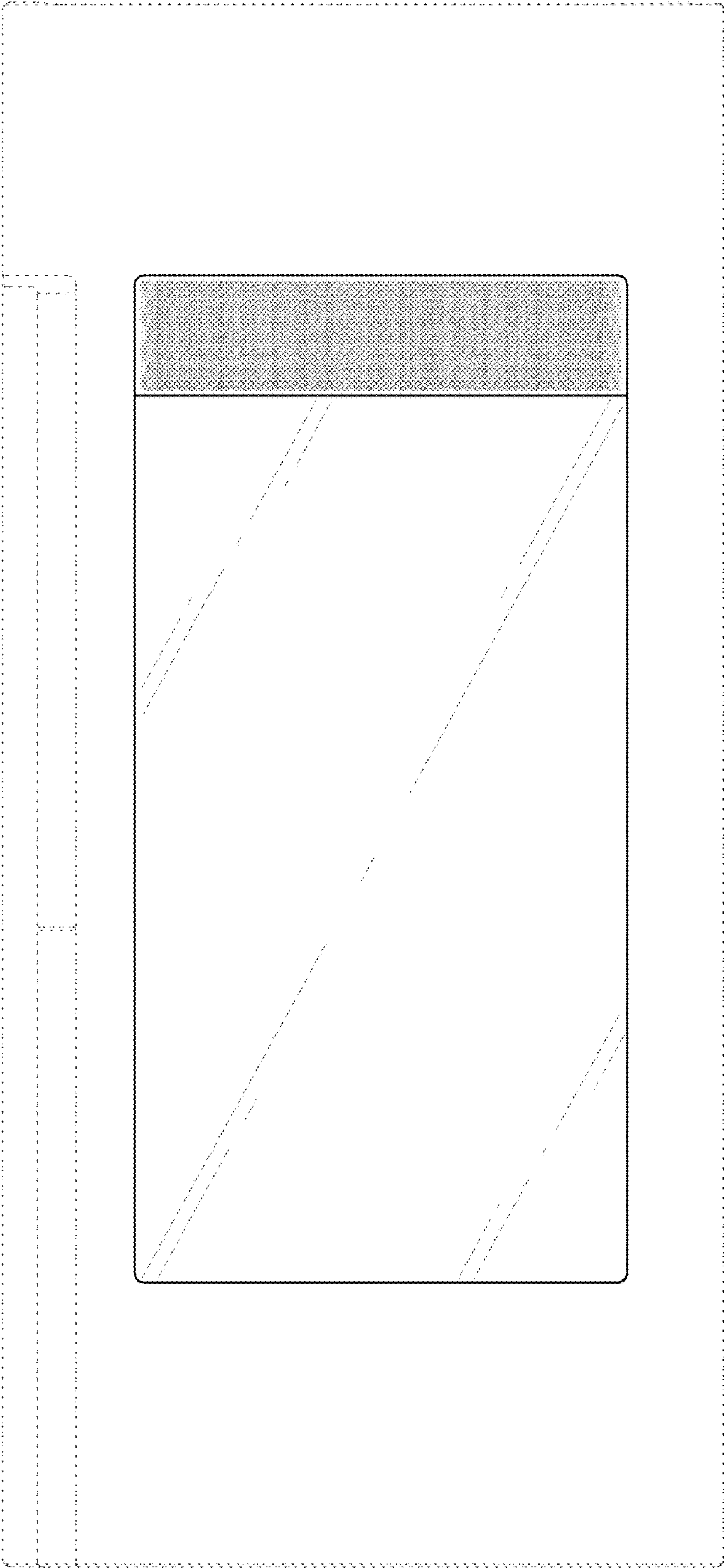


FIG. 30

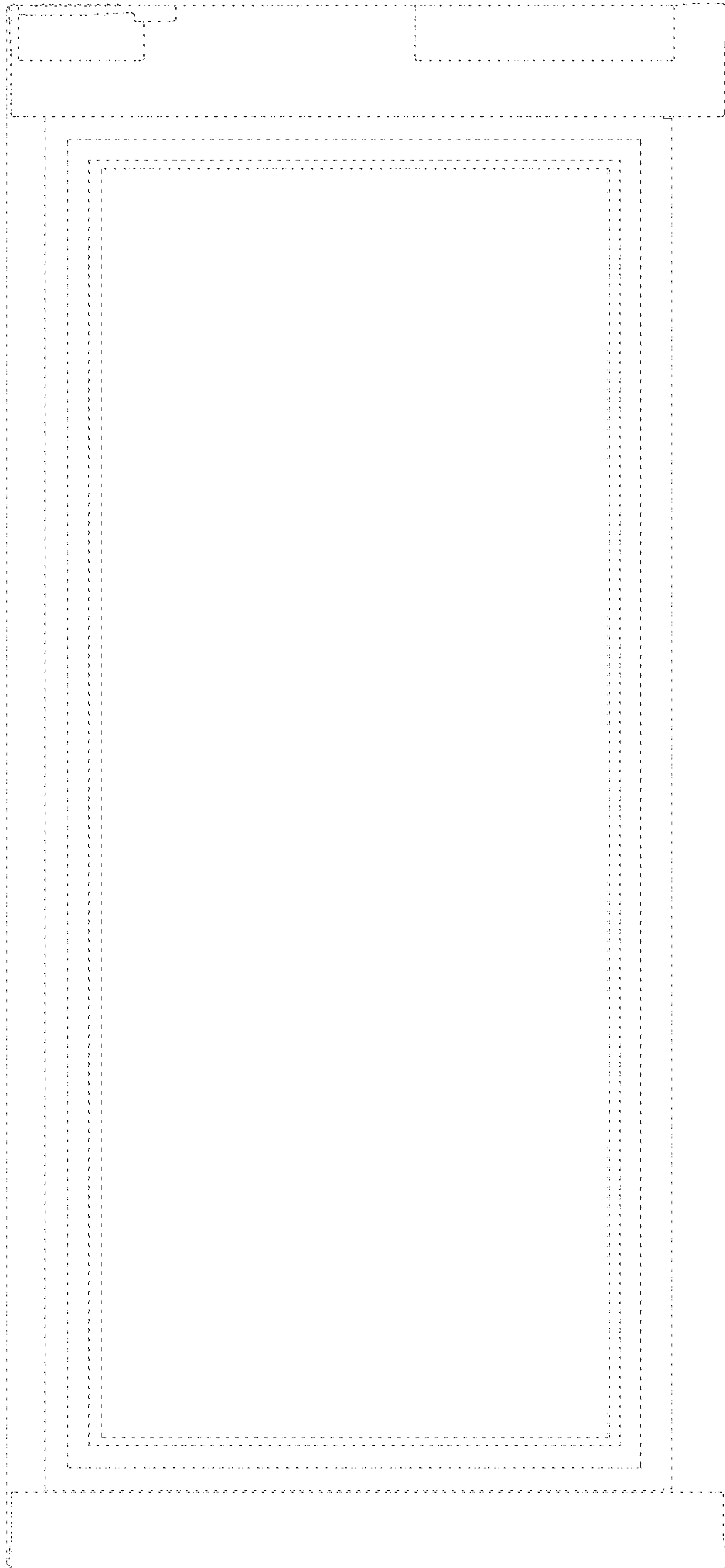


FIG. 31

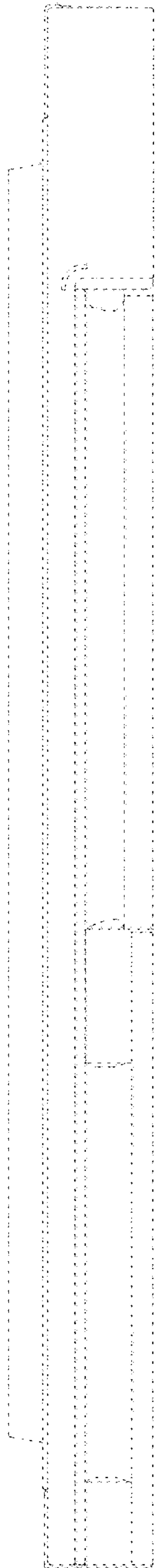


FIG. 32

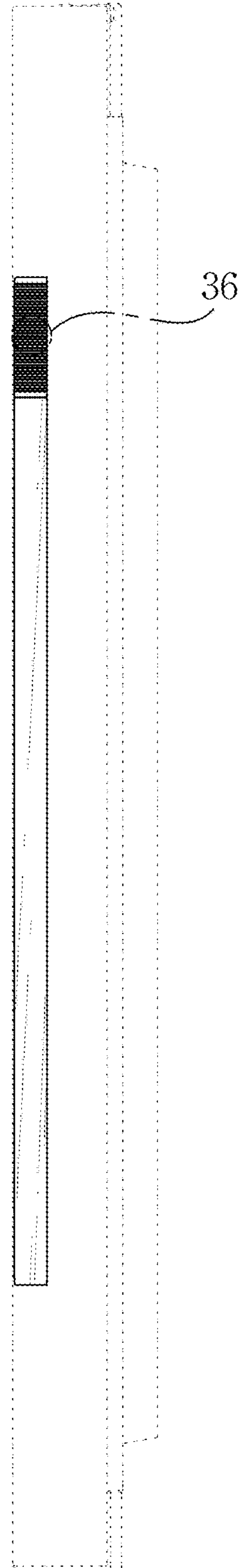


FIG. 33

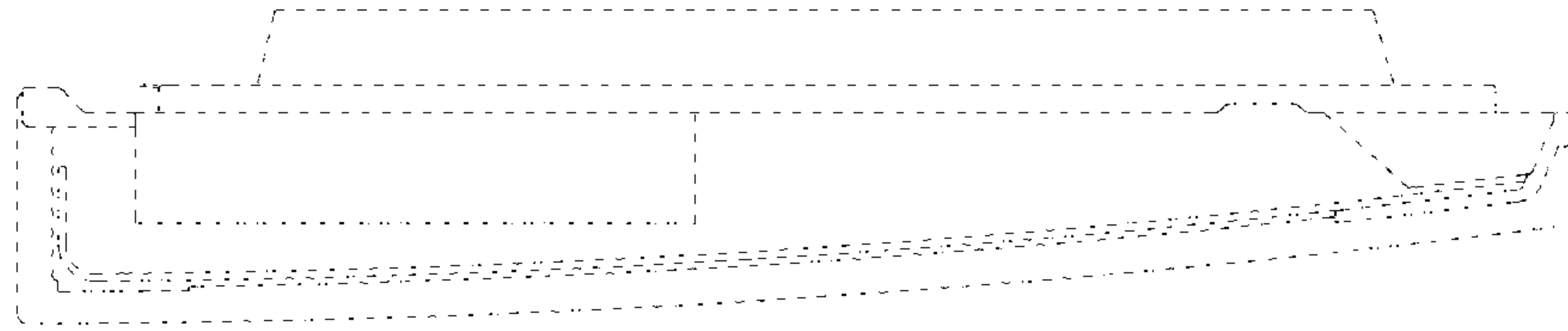


FIG. 34

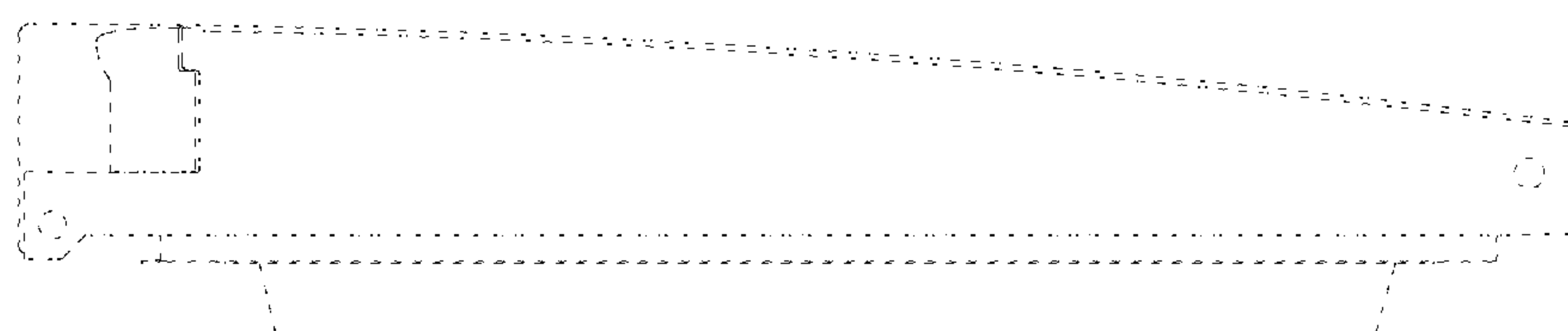


FIG. 35

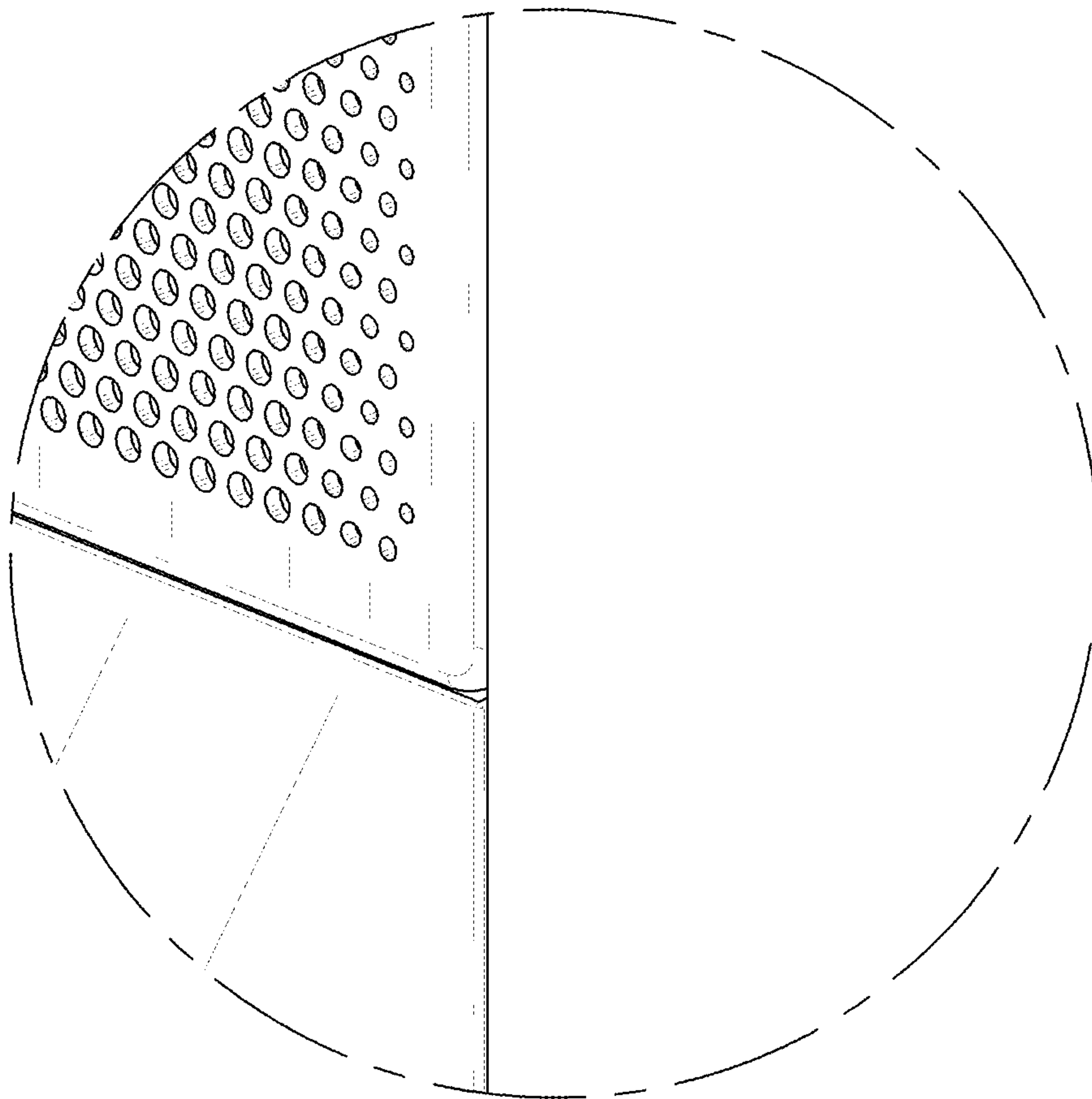


FIG. 36

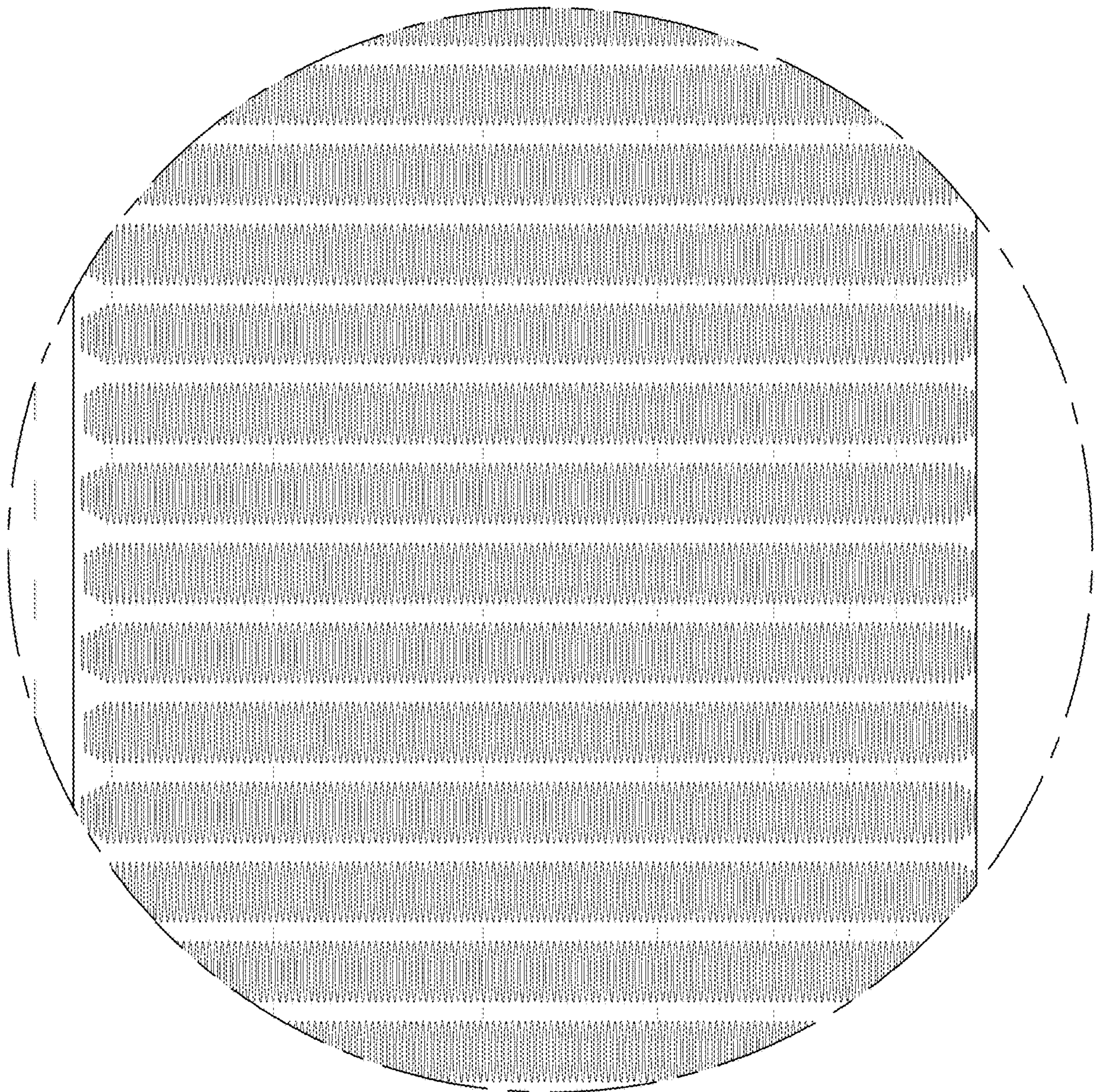


FIG. 37

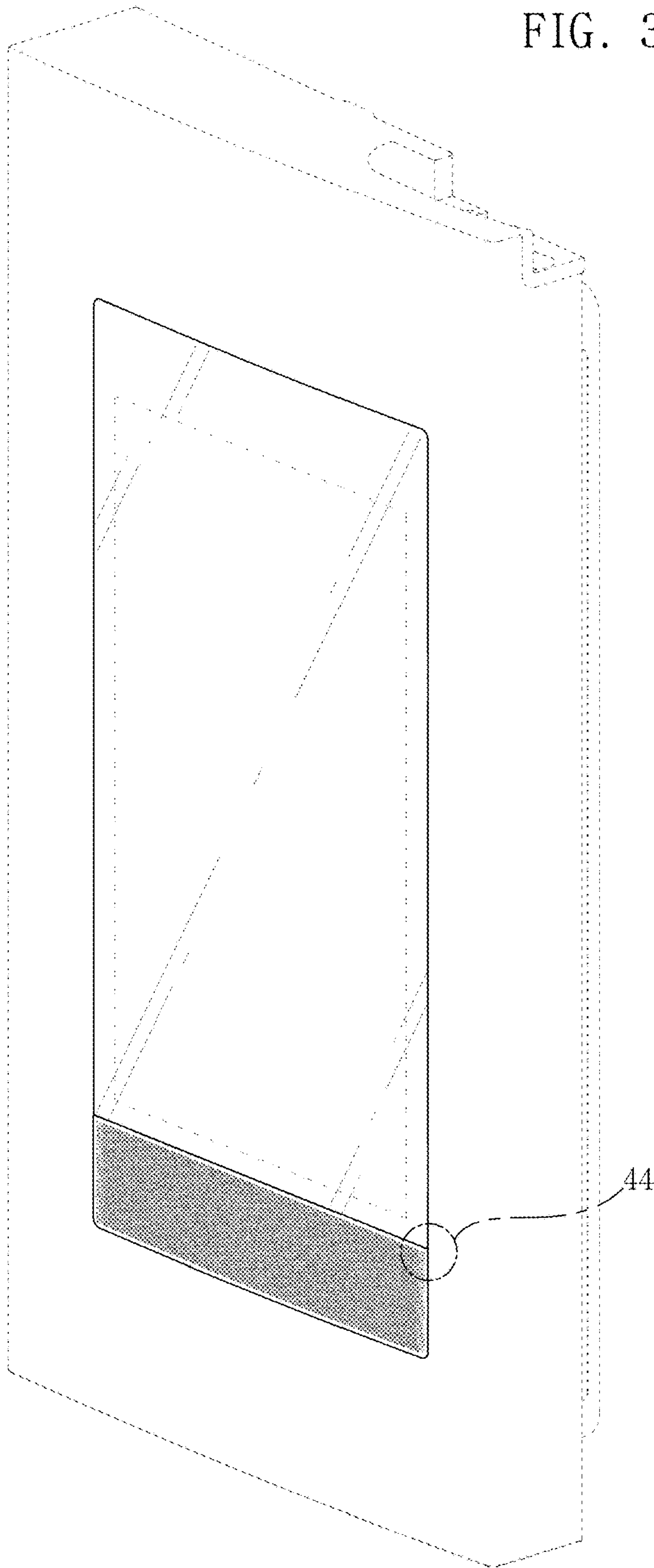


FIG. 38

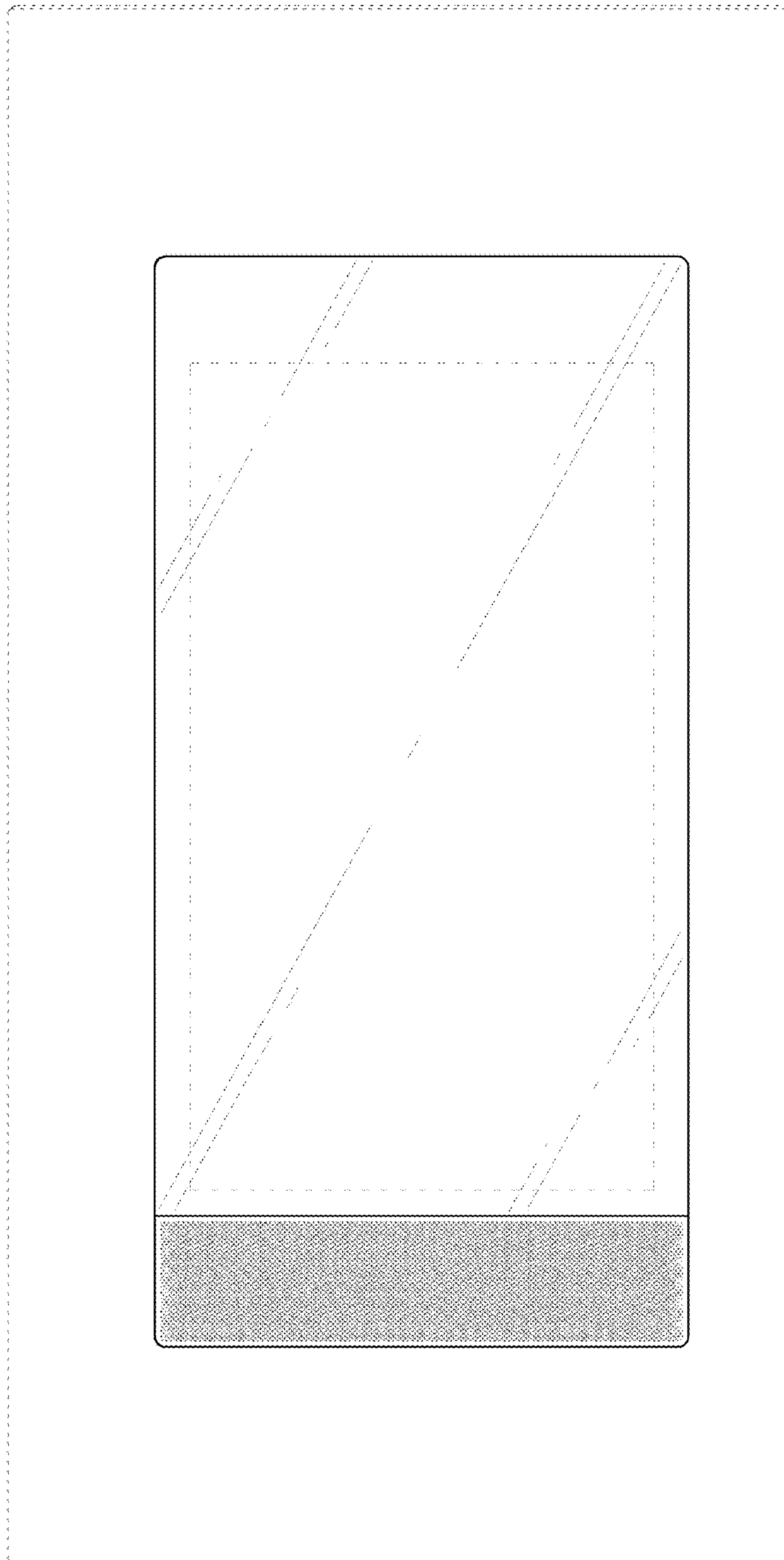


FIG. 39

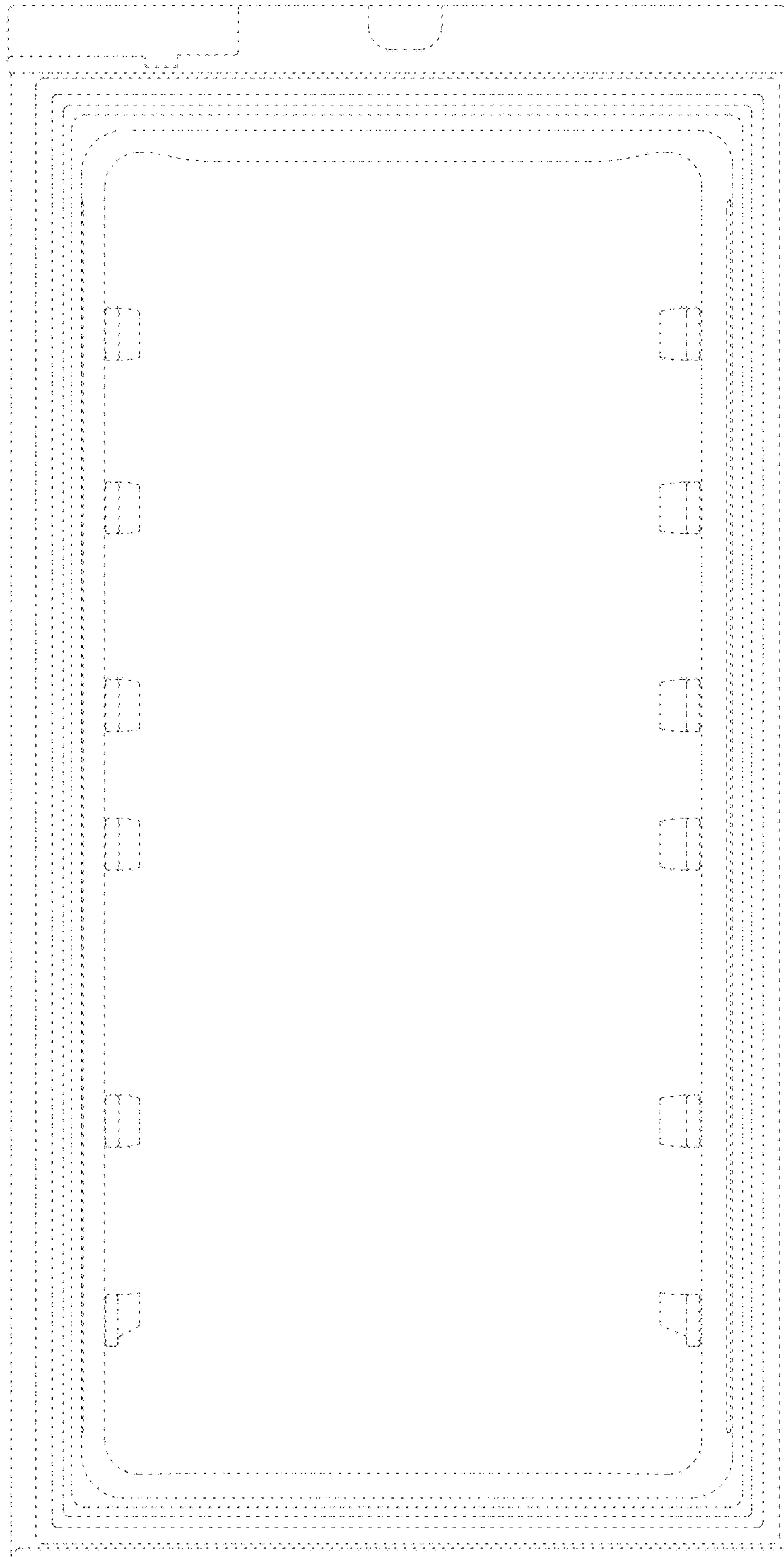


FIG. 40

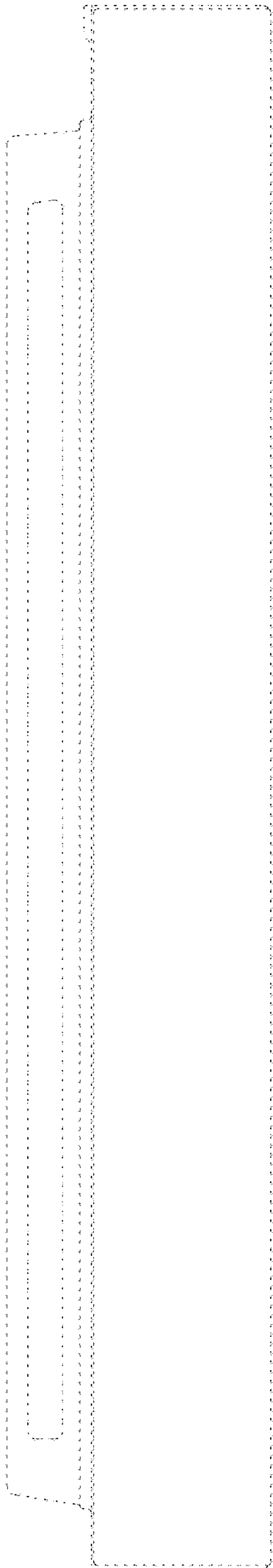


FIG. 41

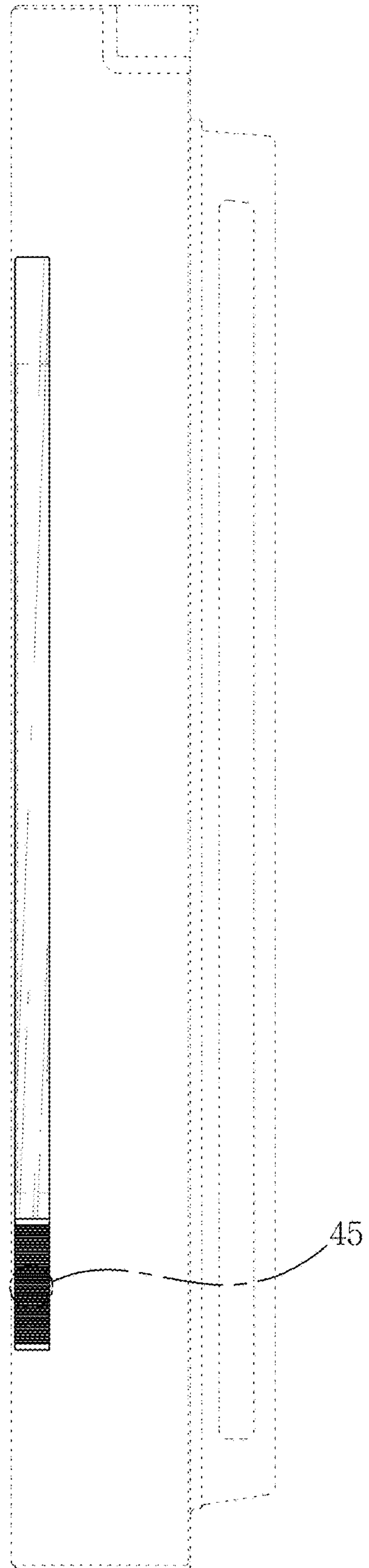


FIG. 42

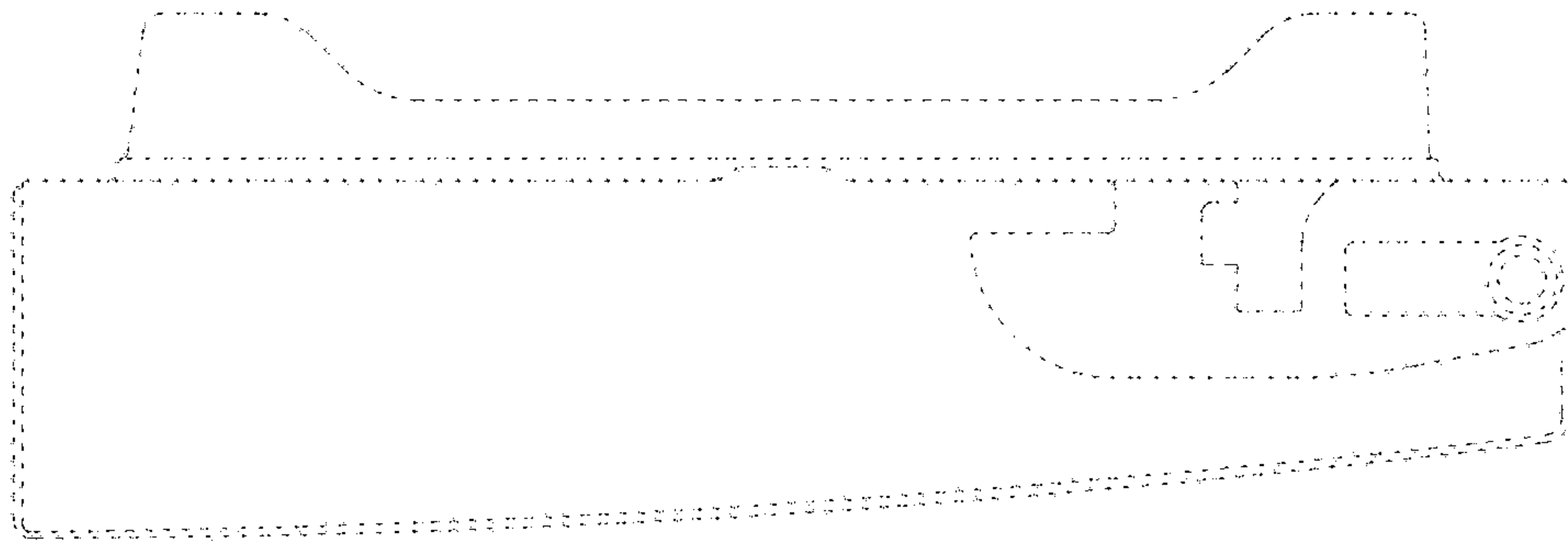


FIG. 43

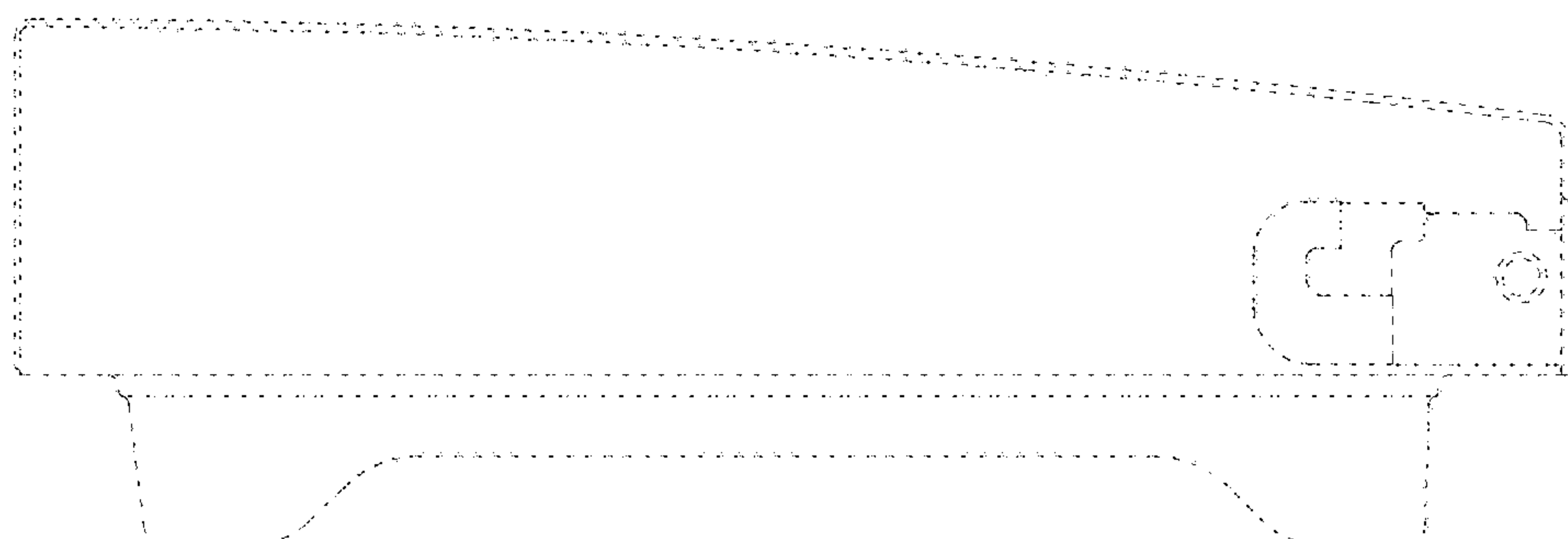


FIG. 44

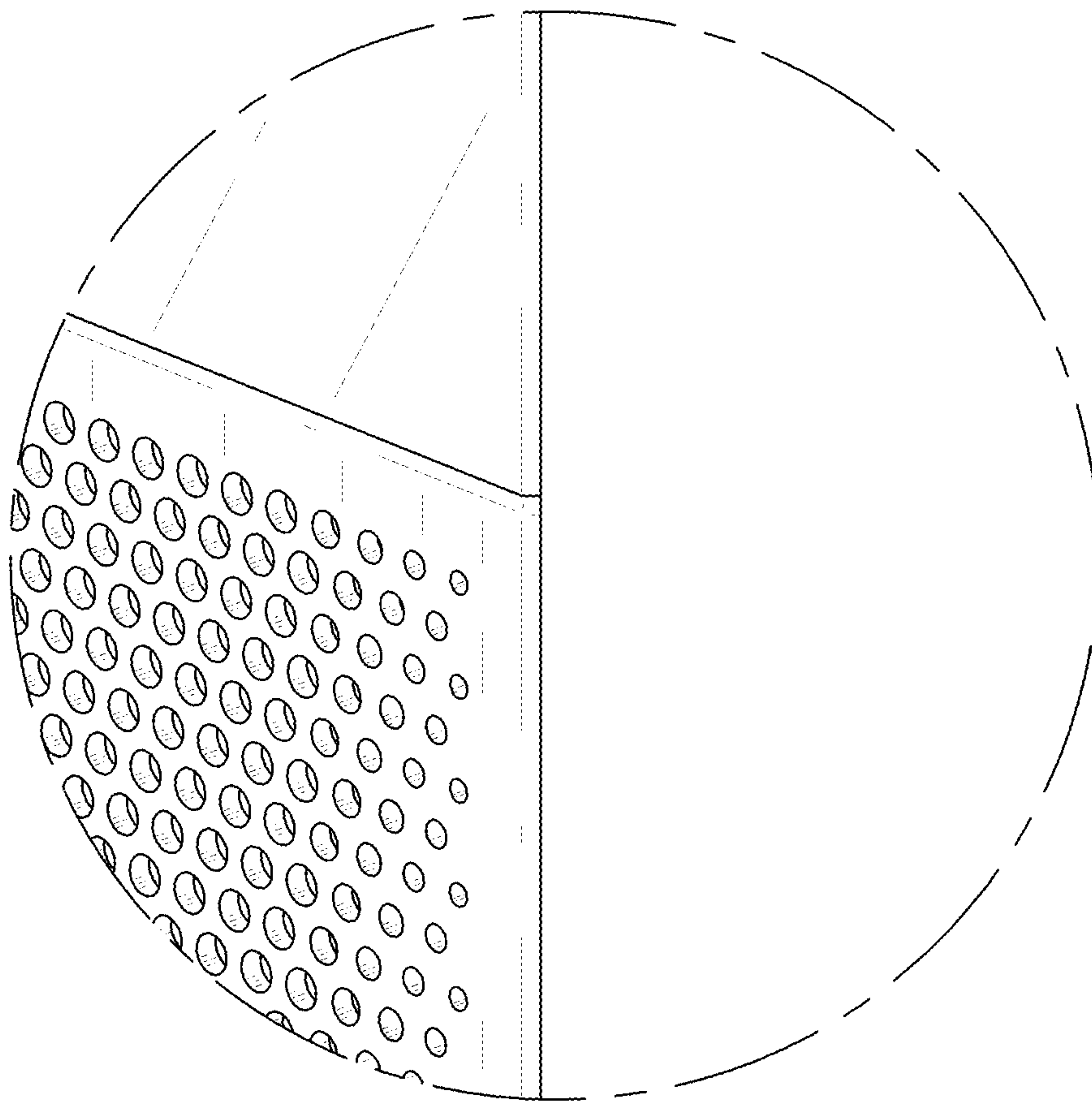


FIG. 45

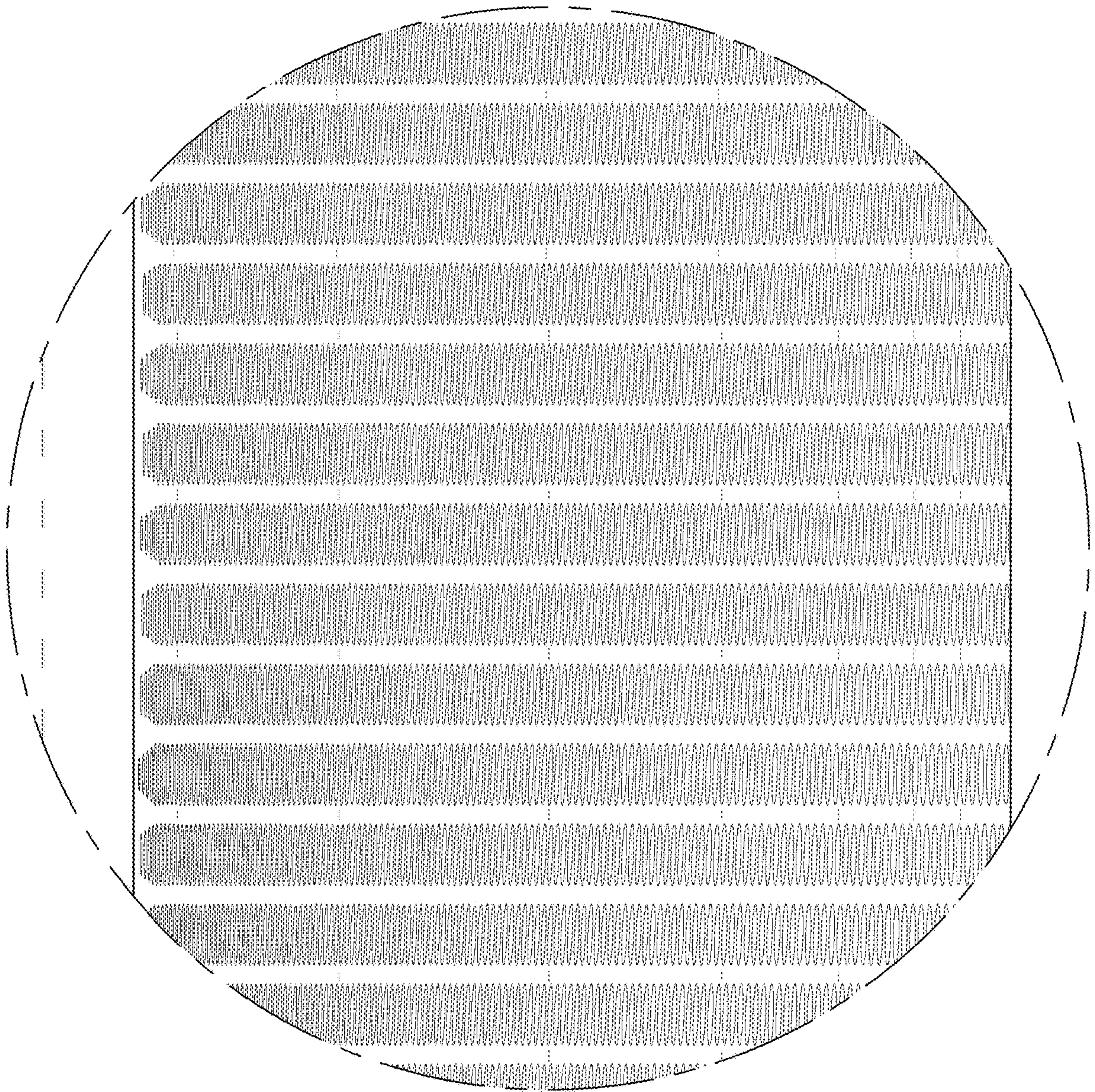


FIG. 46

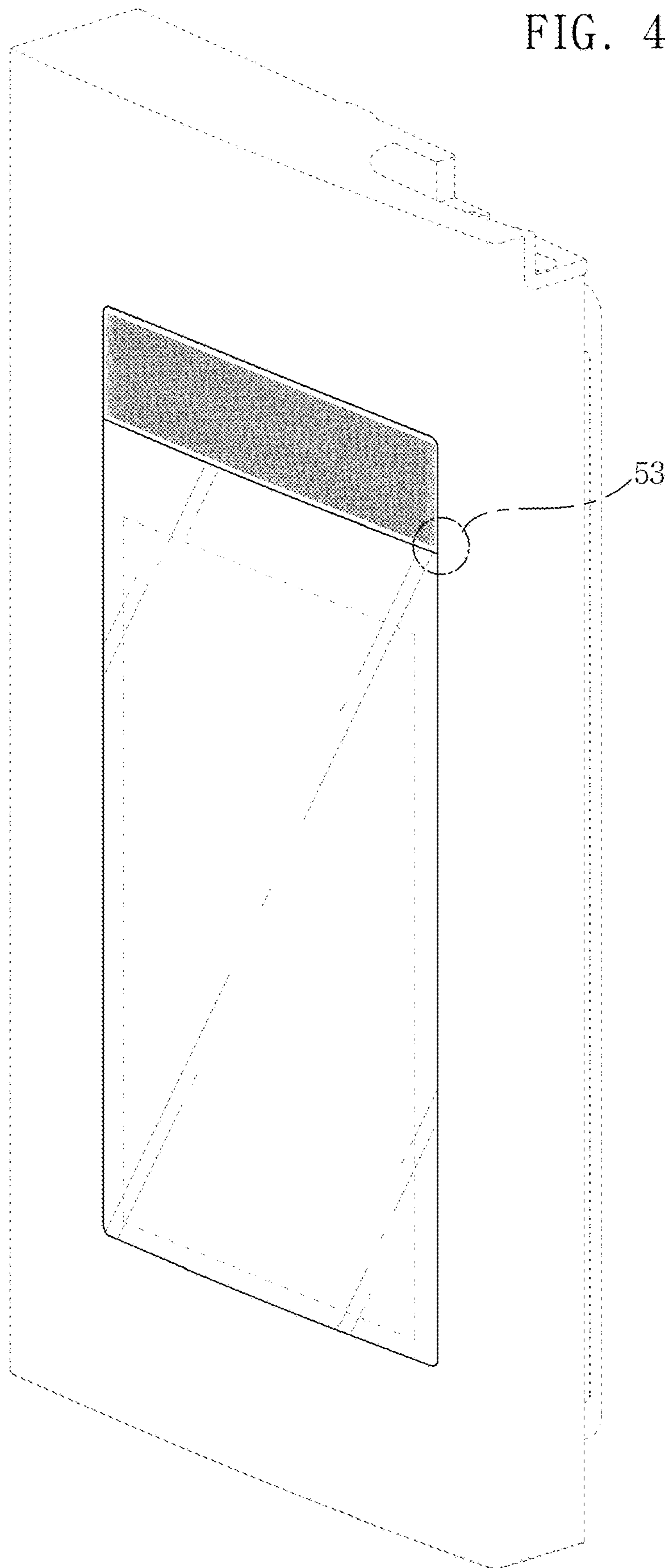


FIG. 47

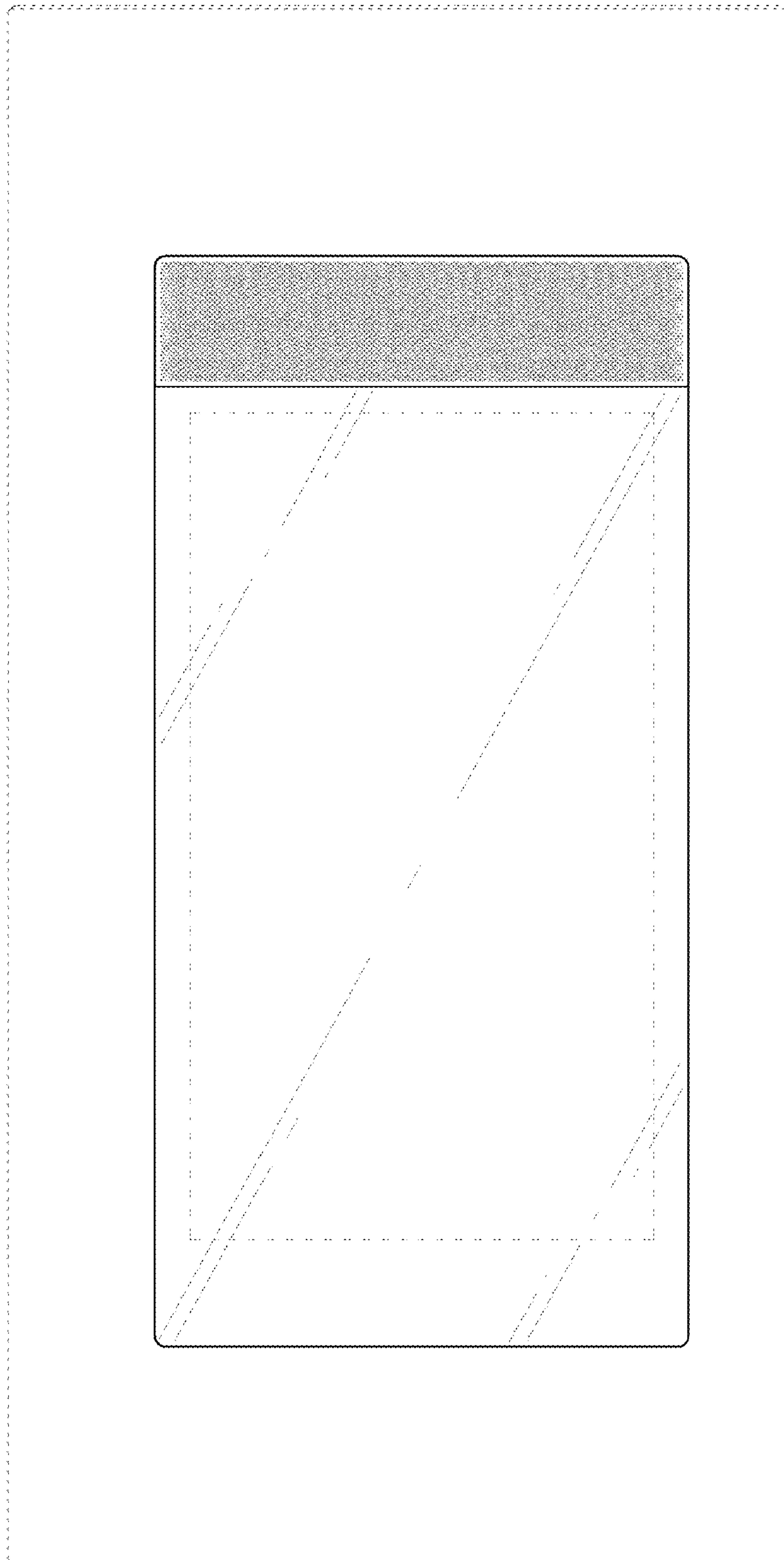


FIG. 48

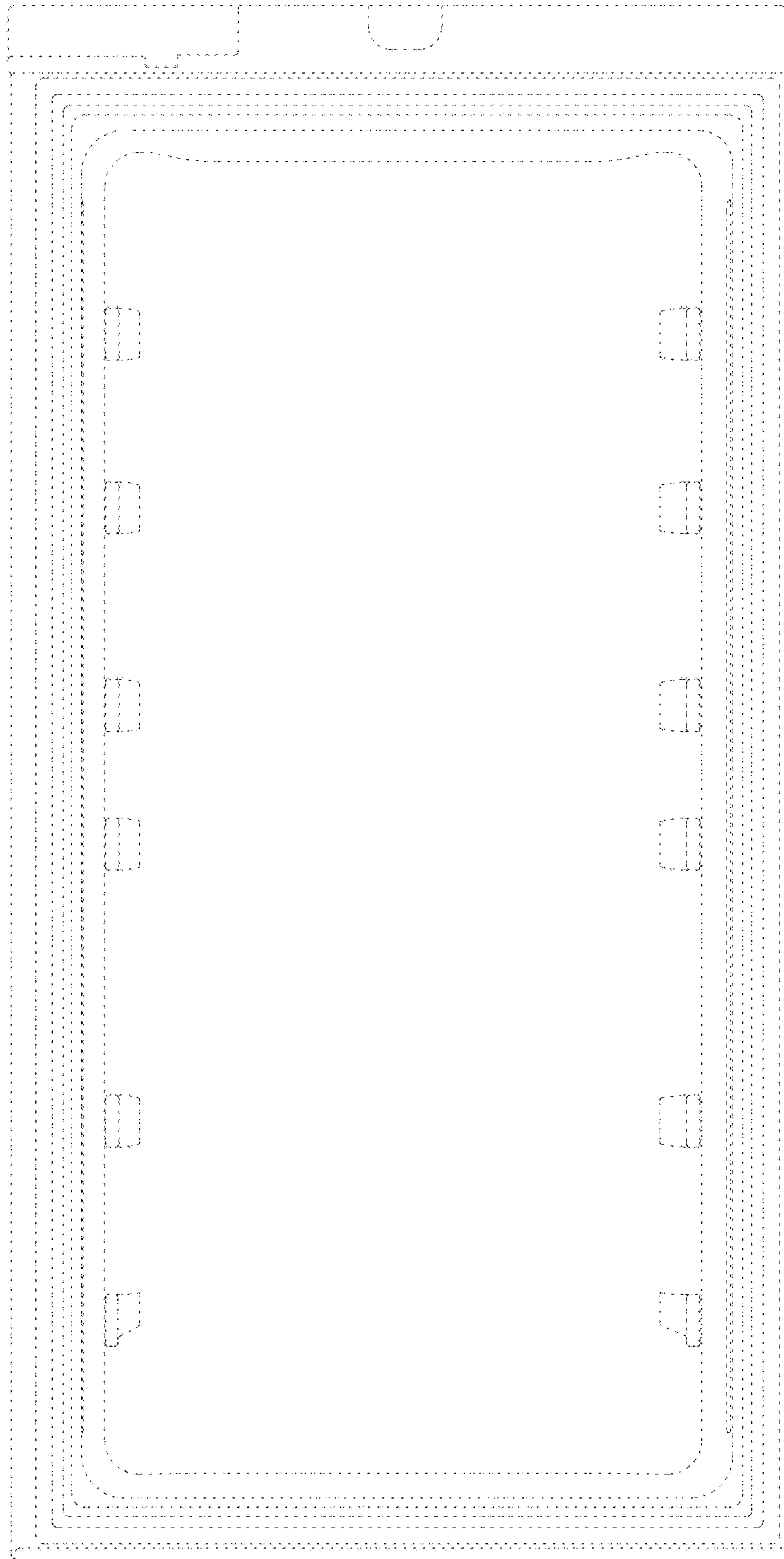


FIG. 49

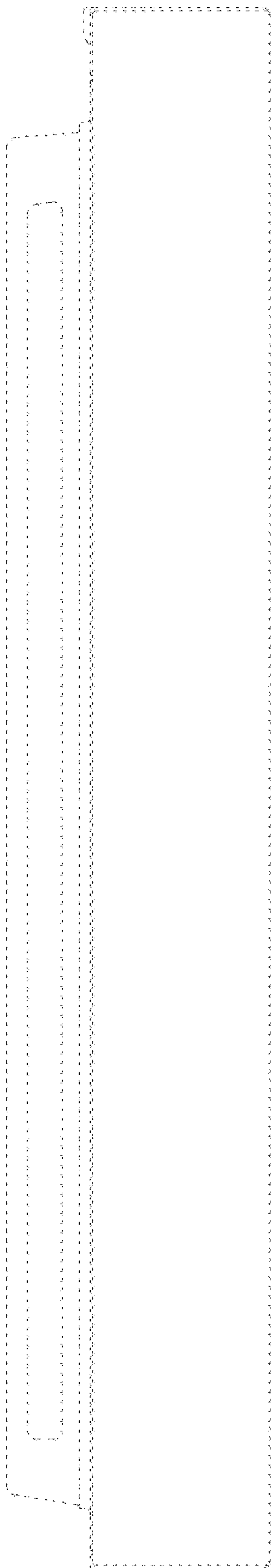


FIG. 50

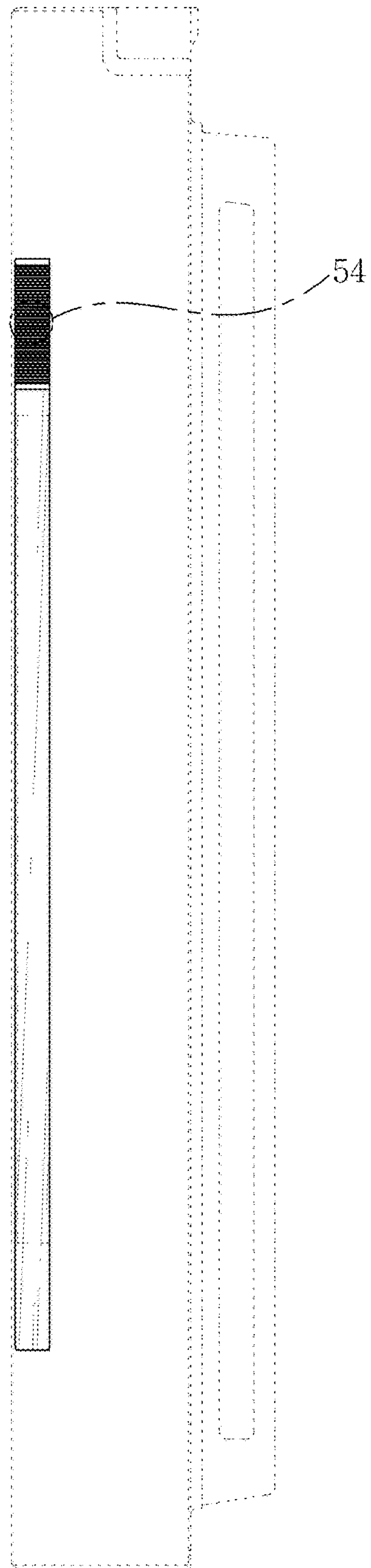


FIG. 51

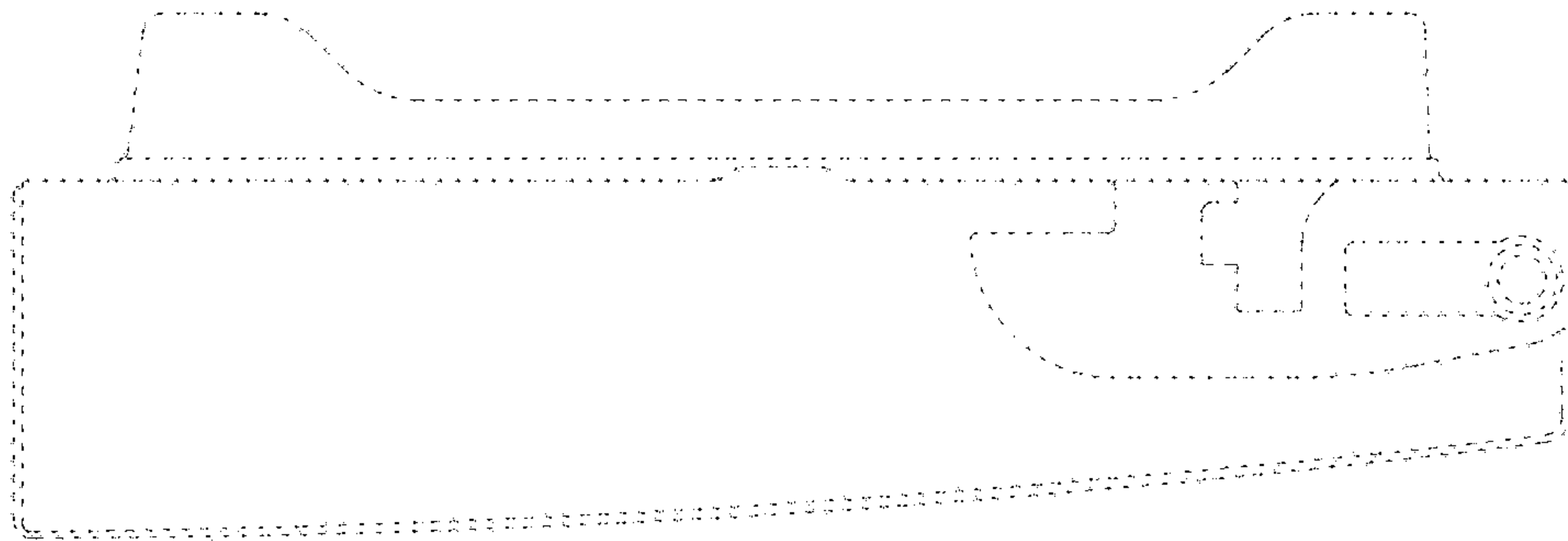


FIG. 52

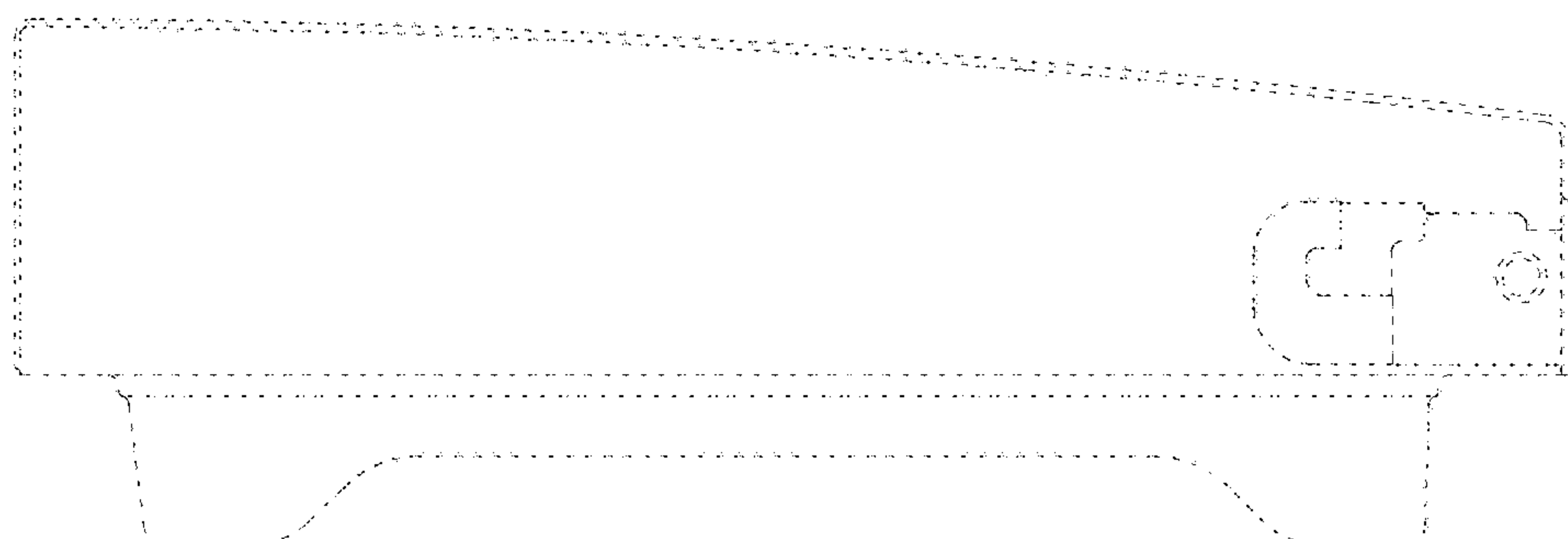


FIG. 53

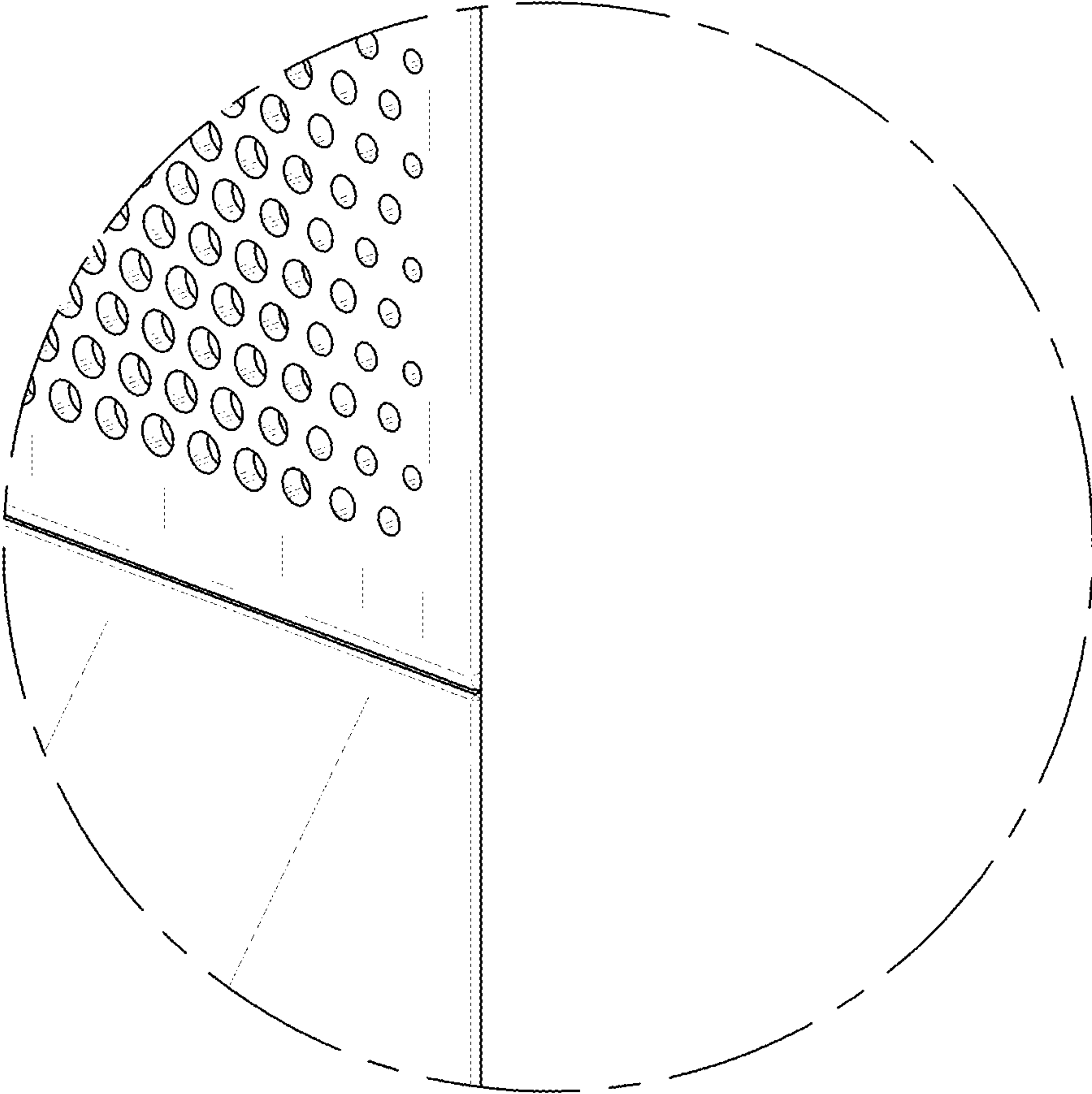


FIG. 54

