



US00D895696S

(12) **United States Design Patent** (10) **Patent No.:** **US D895,696 S**
Buter et al. (45) **Date of Patent:** **** Sep. 8, 2020**

(54) **FREEZER CABINET**

D773,540 S * 12/2016 Heck D15/89
D776,985 S * 1/2017 Kim D15/89
D785,056 S * 4/2017 Lee D15/89

(71) Applicant: **Conopco, Inc.**, Englewood Cliffs, NJ
(US)

(Continued)

(72) Inventors: **René Joachim Buter**, Vlaardingen
(NL); **Johannes Krieg**, Rotterdam
(NL); **Ashvinikumar Vishnukumar
Mudaliar**, Rotterdam (NL); **Johannes
Schulmeister**, The Hague (NL)

OTHER PUBLICATIONS

AHT, Admitted Prior Art.

(Continued)

(73) Assignee: **Conopco, Inc.**, Englewood Cliffs, NJ
(US)

Primary Examiner — Khawaja Anwar

(74) *Attorney, Agent, or Firm* — Gerard J. McGowan, Jr.

(**) Term: **15 Years**

(57) **CLAIM**

The ornamental design for a freezer cabinet, as shown and described.

(21) Appl. No.: **29/658,838**

DESCRIPTION

(22) Filed: **Aug. 3, 2018**

FIG. 1 is a perspective view of my new design from above and the left;

(30) **Foreign Application Priority Data**

Feb. 6, 2018 (EM) 004697076-0001
Feb. 6, 2018 (EM) 004697076-0002

FIG. 2 is a front elevation view thereof;

FIG. 3 is a rear elevation view thereof;

FIG. 4 is a left side elevation view thereof;

FIG. 5 is a right side elevation view thereof;

FIG. 6 is a top plan view thereof;

FIG. 7 is a bottom plan view thereof with the front and back reversed.

(51) **LOC (12) Cl.** **15-07**

(52) **U.S. Cl.**
USPC **D15/89**

FIG. 8 is a perspective view from the front, left and above of an alternative view of my new design wherein the cover is open;

FIG. 9 an elevational view from the front of the design of FIG. 8 with the cover open to a perpendicular position;

FIG. 10 is an elevational view from the rear of the design of FIG. 8 with the cover open to a perpendicular position;

FIG. 11 is a left side elevation view of the design of FIG. 8;

FIG. 12 is a right side elevation view of the design of FIG. 8;

(58) **Field of Classification Search**
USPC D15/79-91
CPC .. F25C 5/182; F25C 2400/08; F25C 2400/10;
F25C 2400/14; F25C 2700/04; F25C
5/005; F25C 5/007; F25C 5/046; F25C
5/185

See application file for complete search history.

(56) **References Cited**

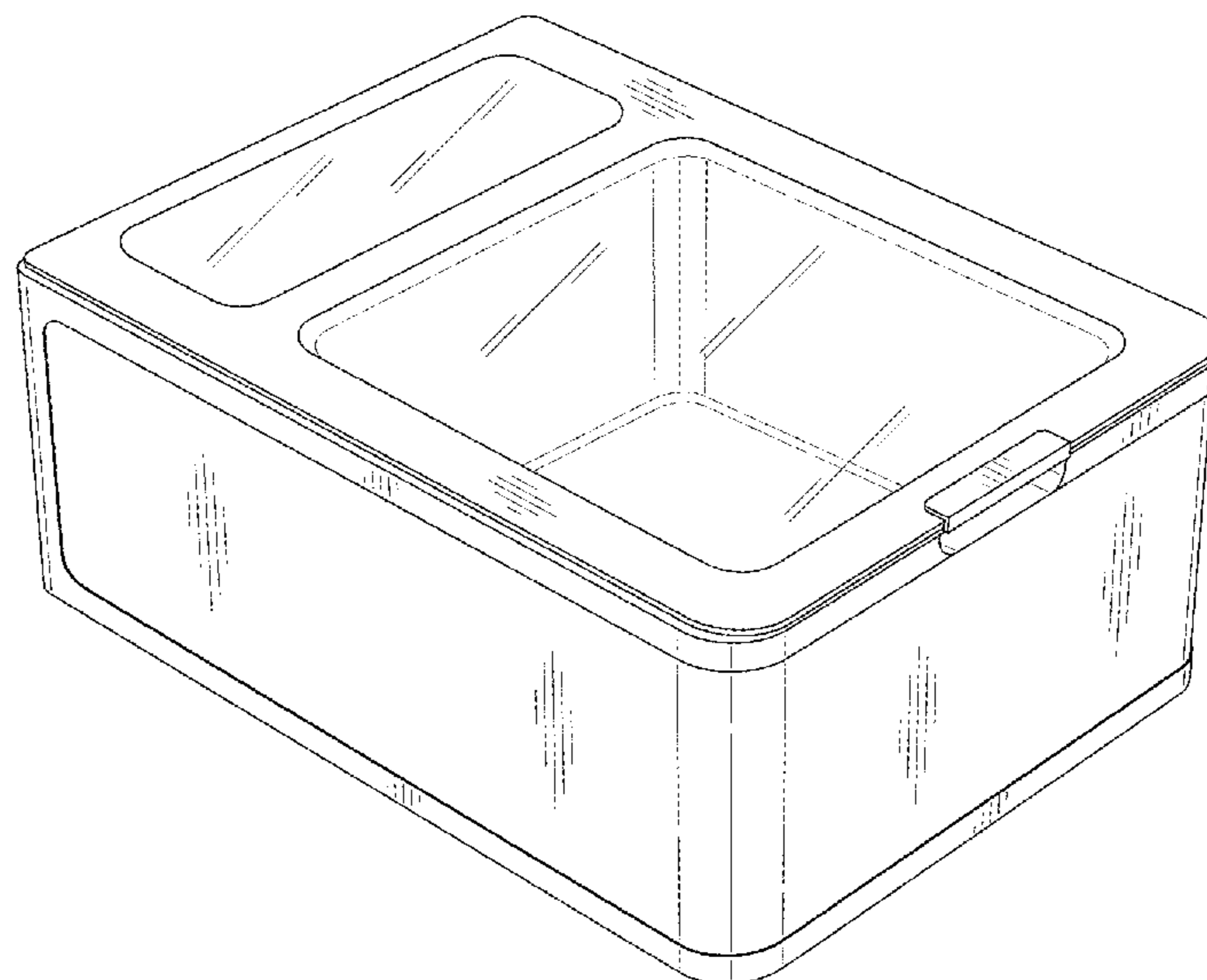
U.S. PATENT DOCUMENTS

D484,150 S * 12/2003 Becke D15/89
D692,933 S 11/2013 Sorensen
D747,750 S * 1/2016 Kim D15/89

FIG. 13 is a top plan of the design of FIG. 8 taken from the front and above; and,

FIG. 14 is a bottom plan view of the design of FIG. 13 with the front and back reversed.

1 Claim, 12 Drawing Sheets



(56)

References Cited

U.S. PATENT DOCUMENTS

D786,322 S * 5/2017 Kim D15/89
D790,609 S * 6/2017 Kim D15/89
D812,649 S * 3/2018 Onrat D15/89
D823,356 S * 7/2018 Lum D15/89

OTHER PUBLICATIONS

Algida, Admitted Prior Art.
Alpicool; Admitted Prior Art.
ArchiExpo Compact freezer, Admitted Prior Art.
Framec Mini Cream 2V Counter Top Scoop Ice Cream Display
Freezer, Admitted Prior Art.
Gelatissimo F9 Counter Top Ice Cream Freezer, Goldline Industries,
Admitted Prior Art.
Isotherm BI-53 Built-In Deep Freezer/Refrigerator, Admitted Prior
Art.
Metalfrio, Admitted Prior Art.
Minifreezer, Admitted Prior Art.
Tecnocrio Baby Counter Top Ice Cream Freezer, Advantage Com-
mercial Kitchens, Admitted Prior Art.
Co-pending U.S. Appl. No. 29/712,818, entitled "Freezer Cabinet",
filed Nov. 12, 2019.
Co-pending U.S. Appl. No. 29/712,820, entitled "Freezer Cabinet",
filed Nov. 12, 2019.

* cited by examiner

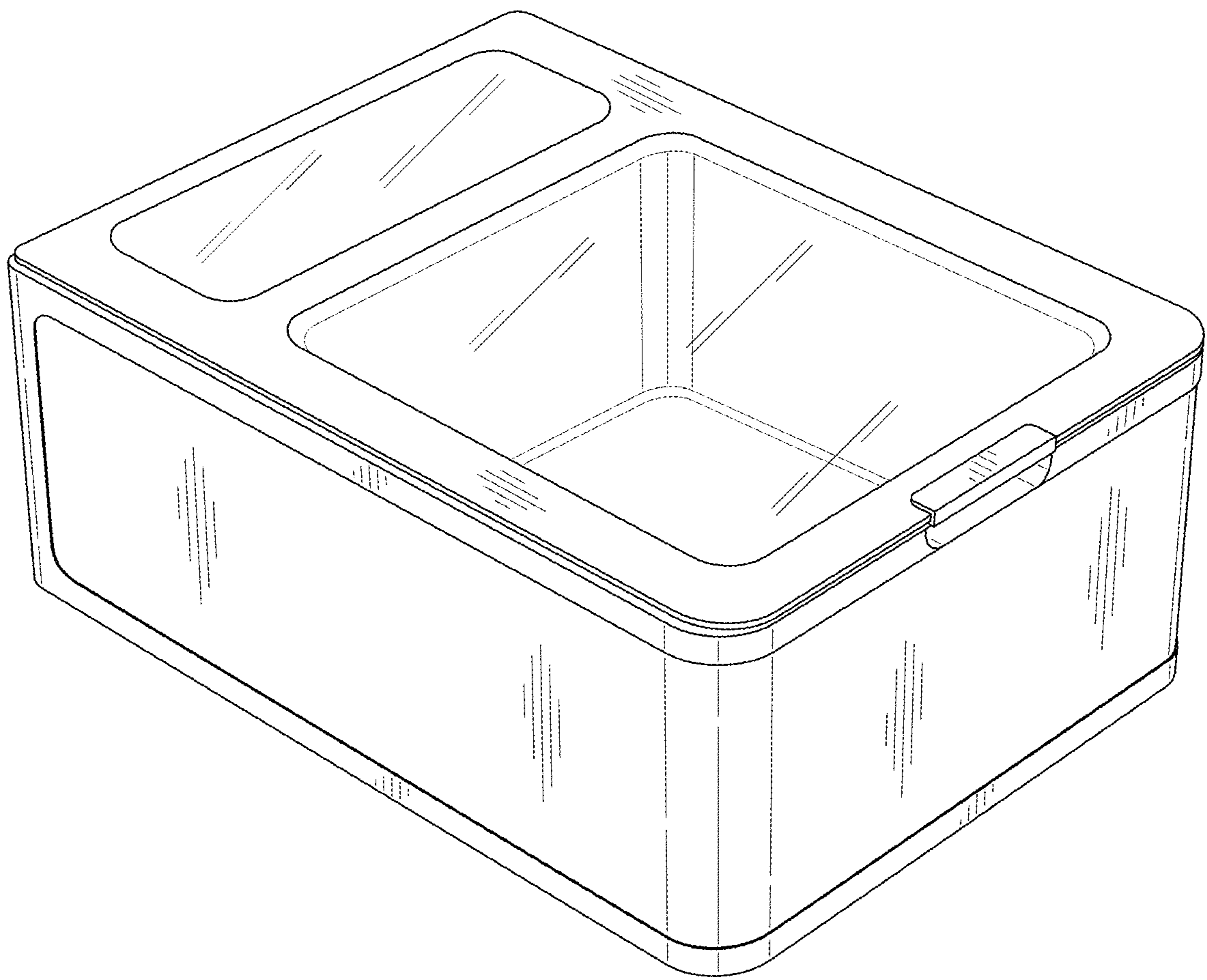


Fig. 1

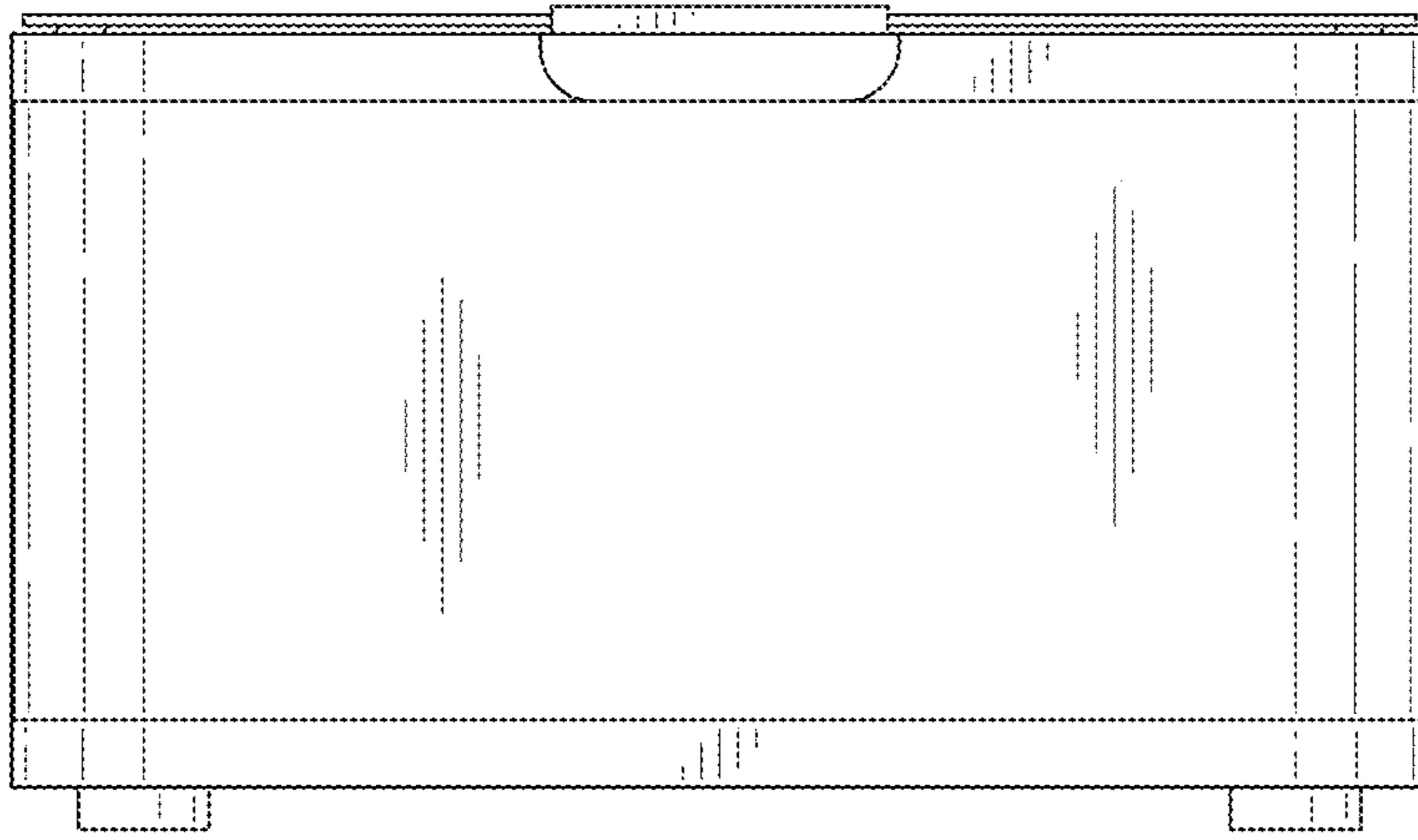


Fig. 2

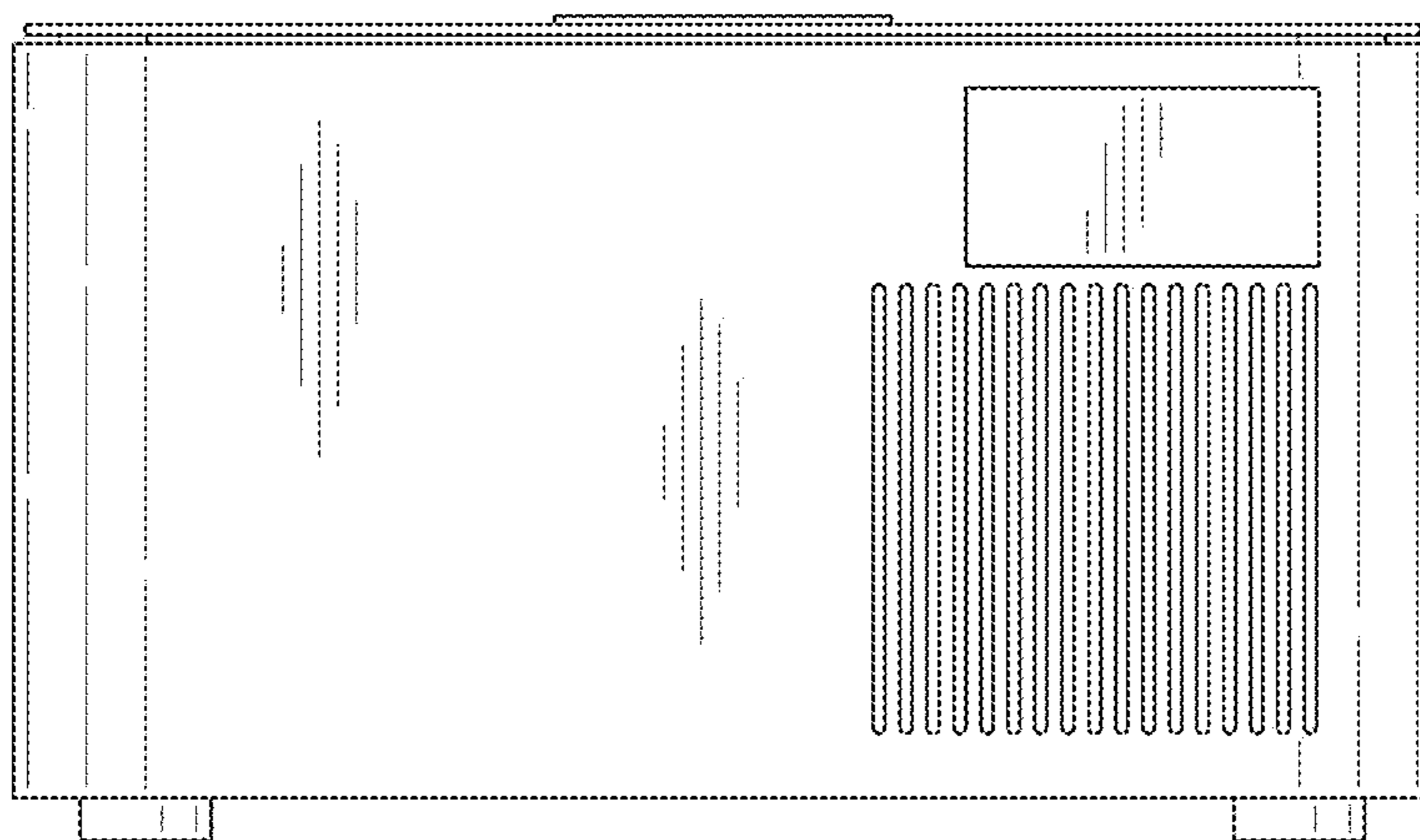


Fig. 3

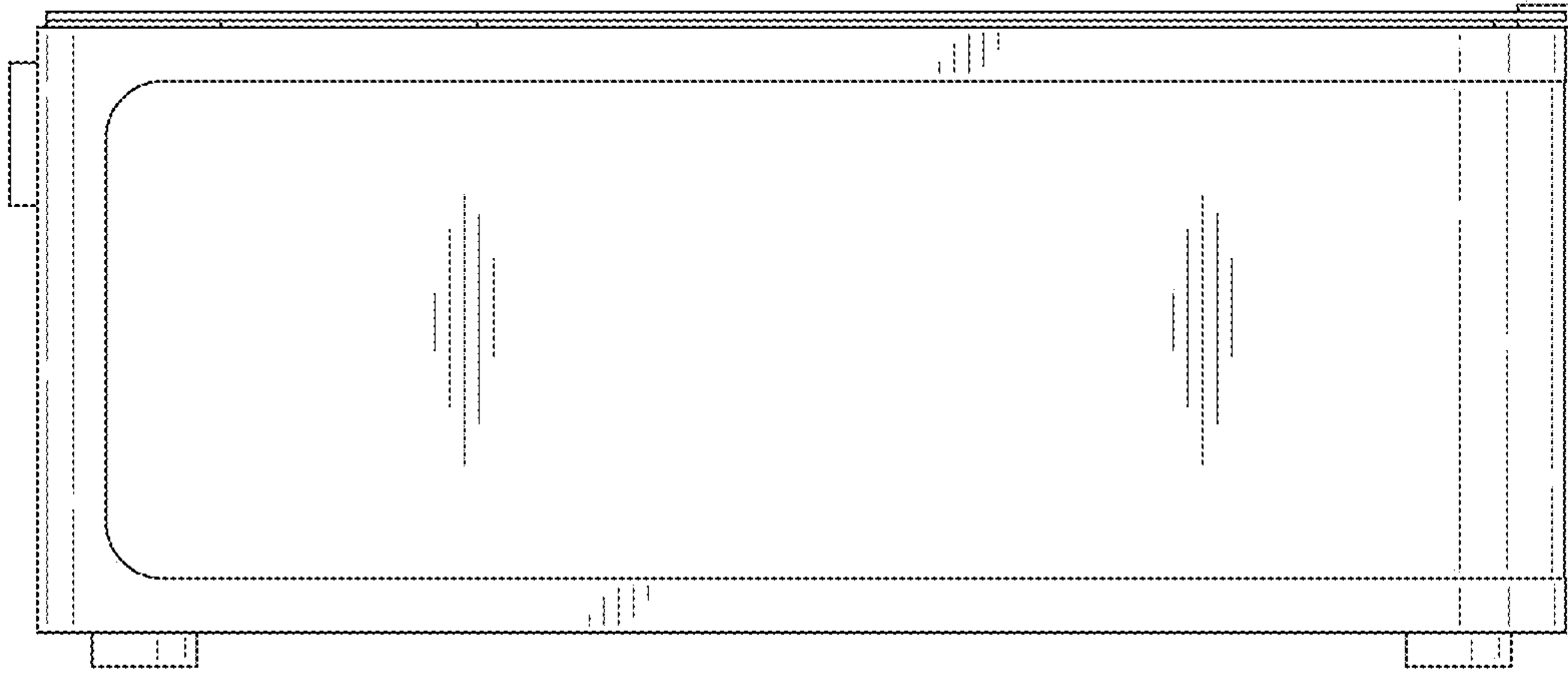


Fig. 4

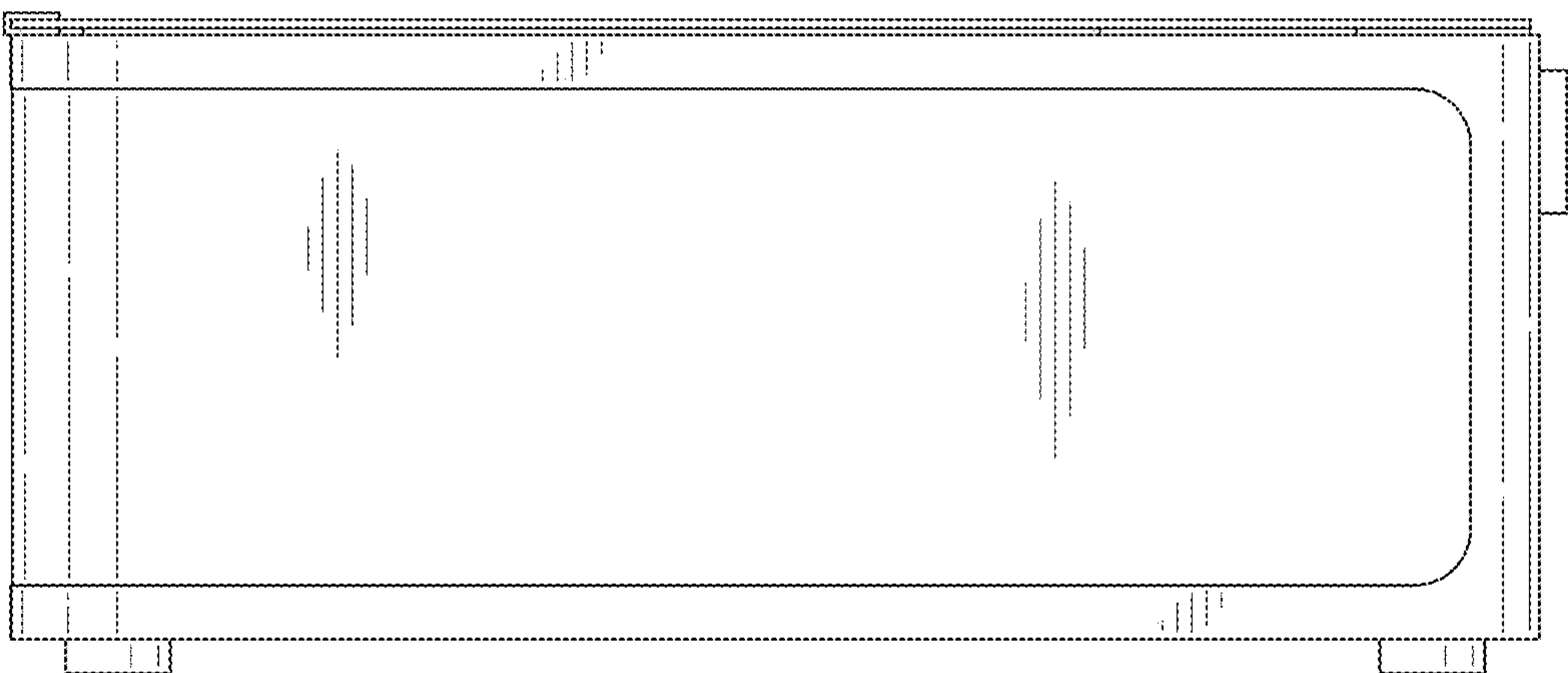


Fig. 5

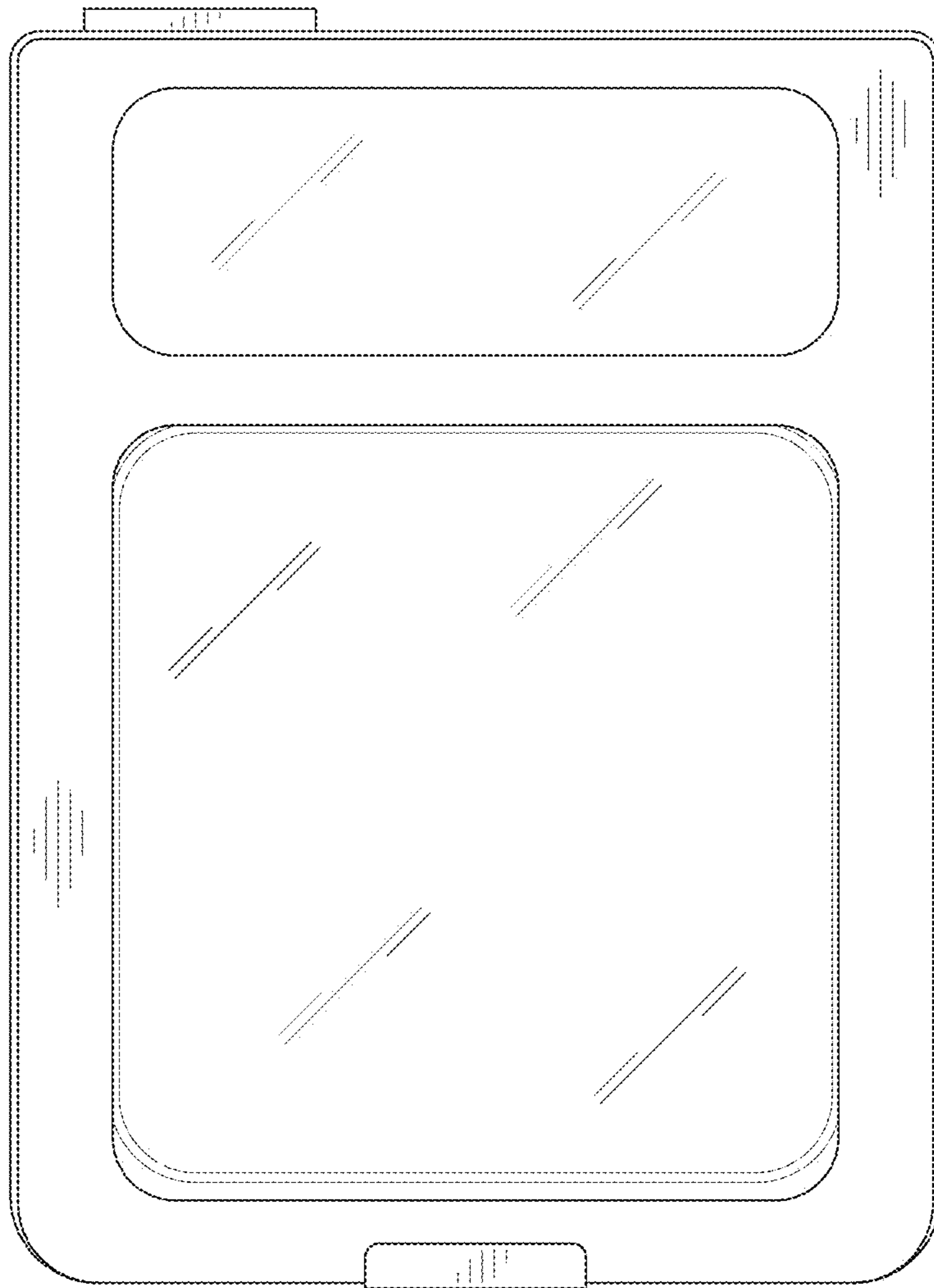


Fig. 6

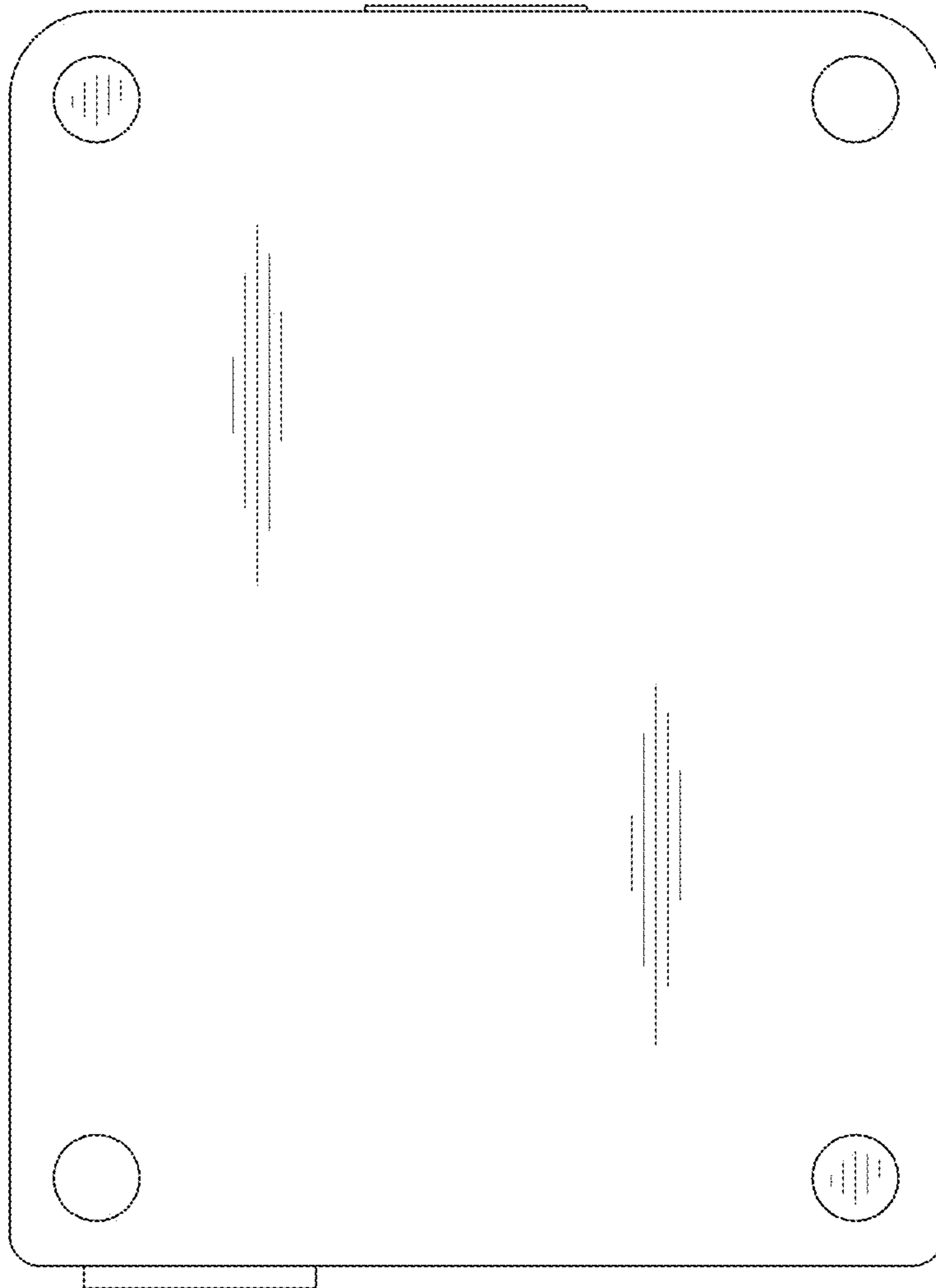


Fig. 7

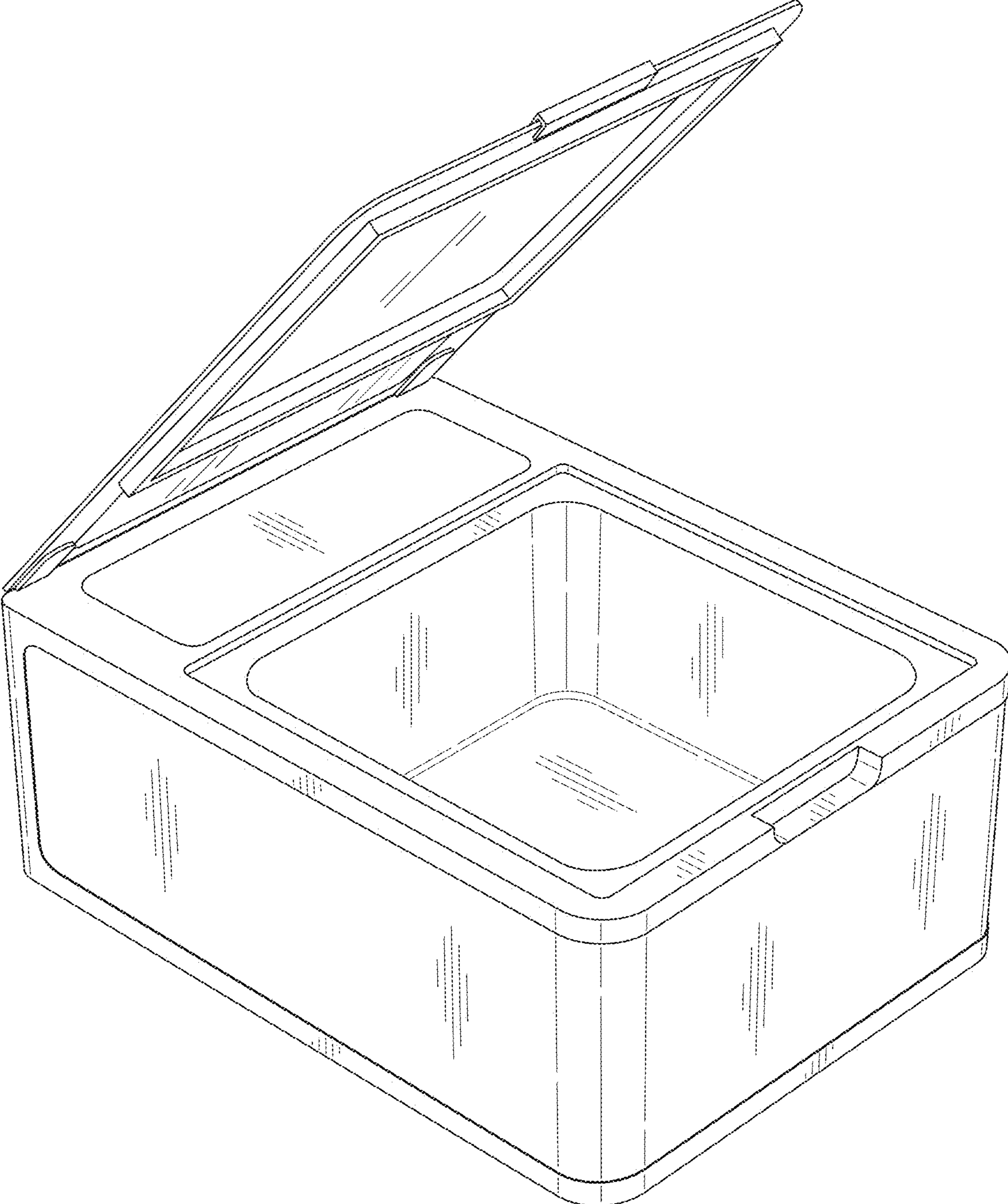


Fig. 8

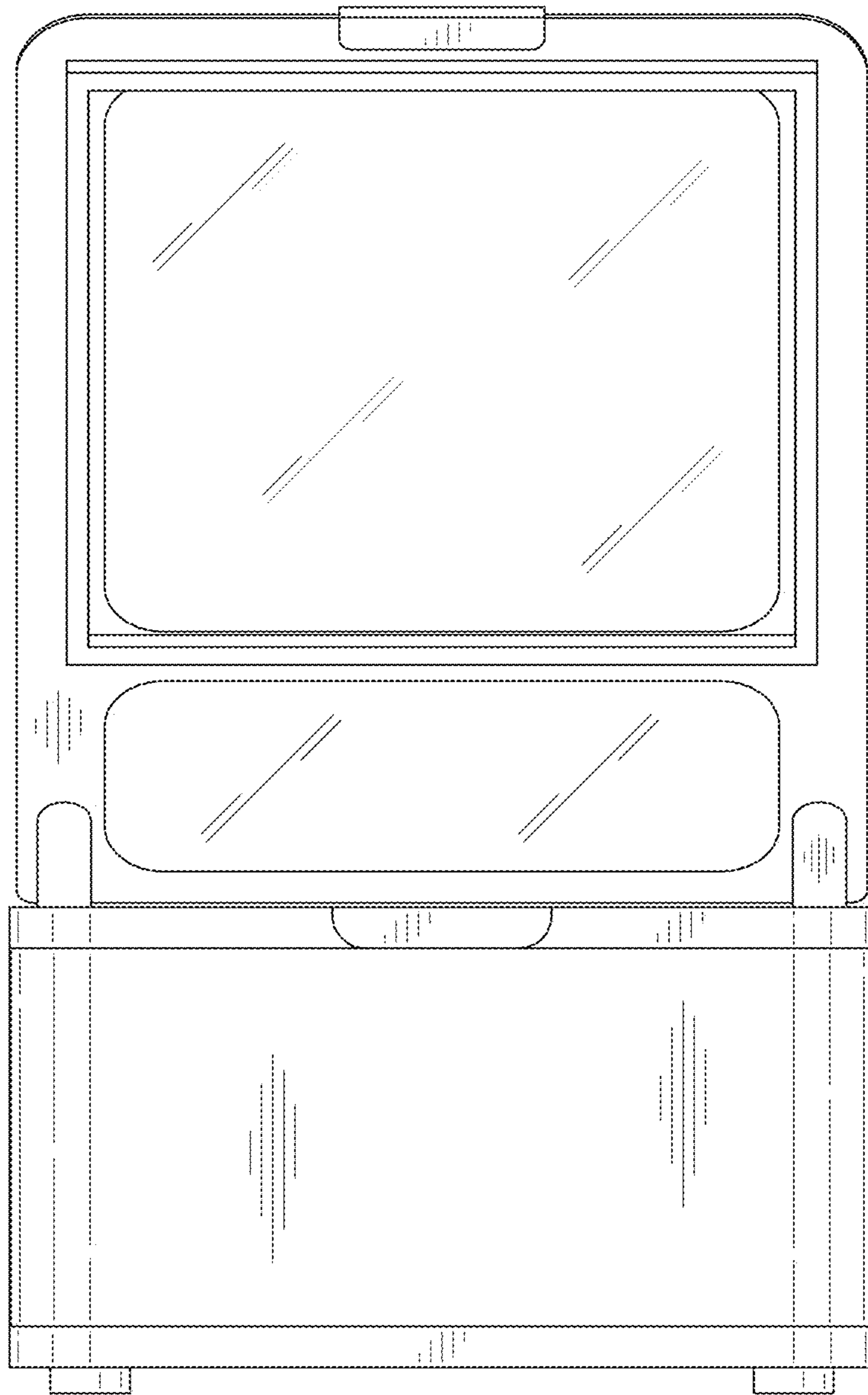


Fig. 9

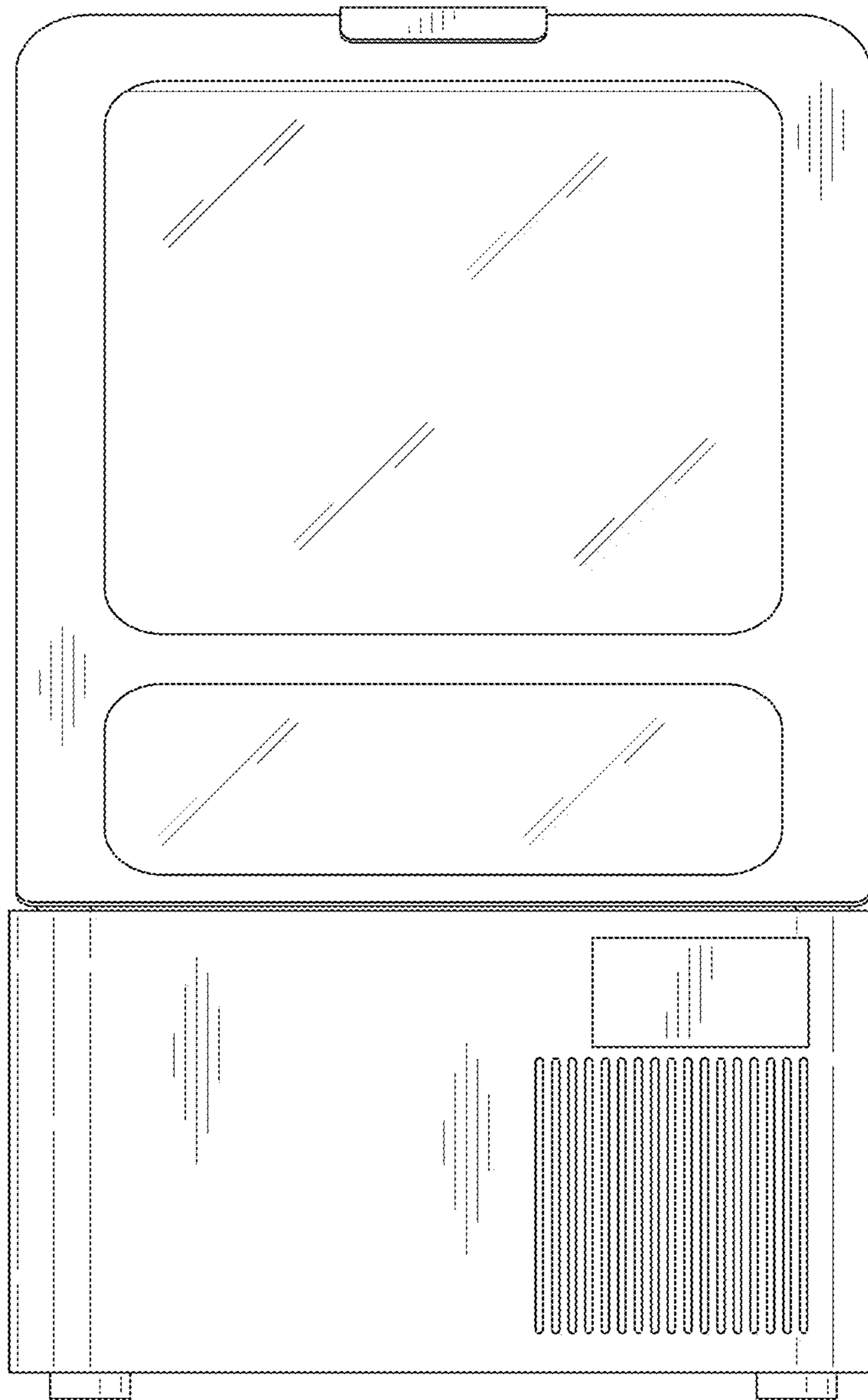


Fig. 10

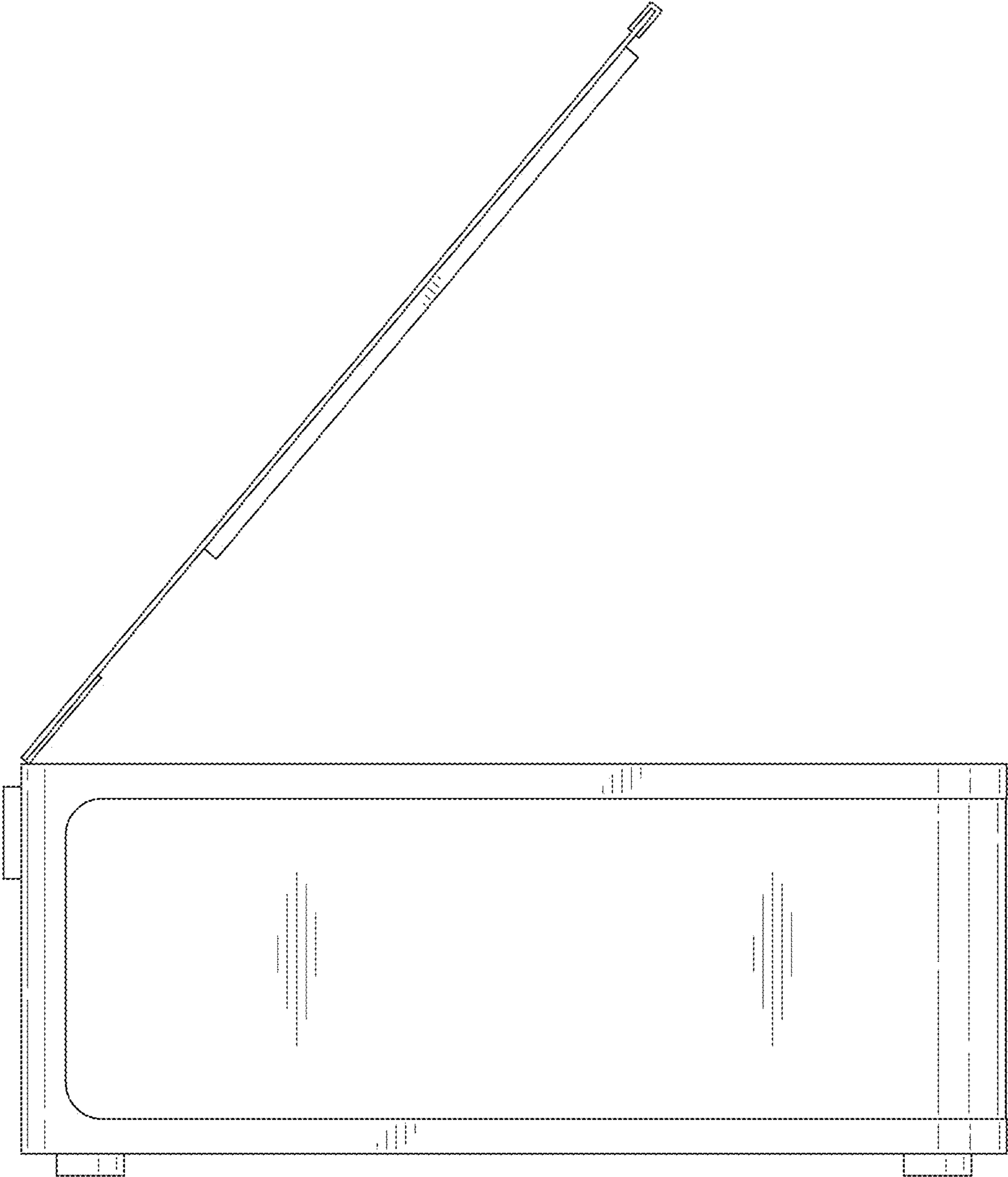


Fig. 11

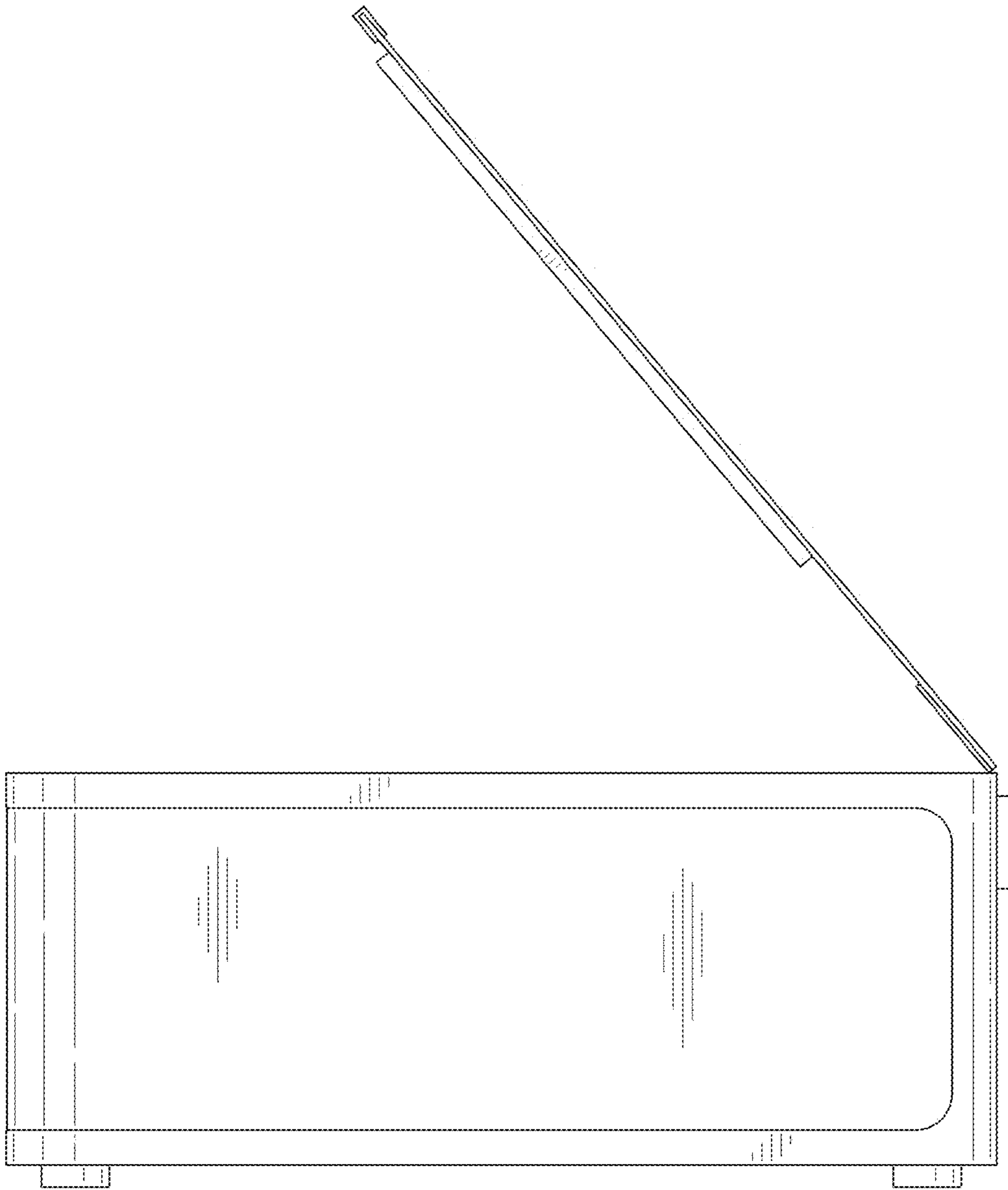


Fig. 12

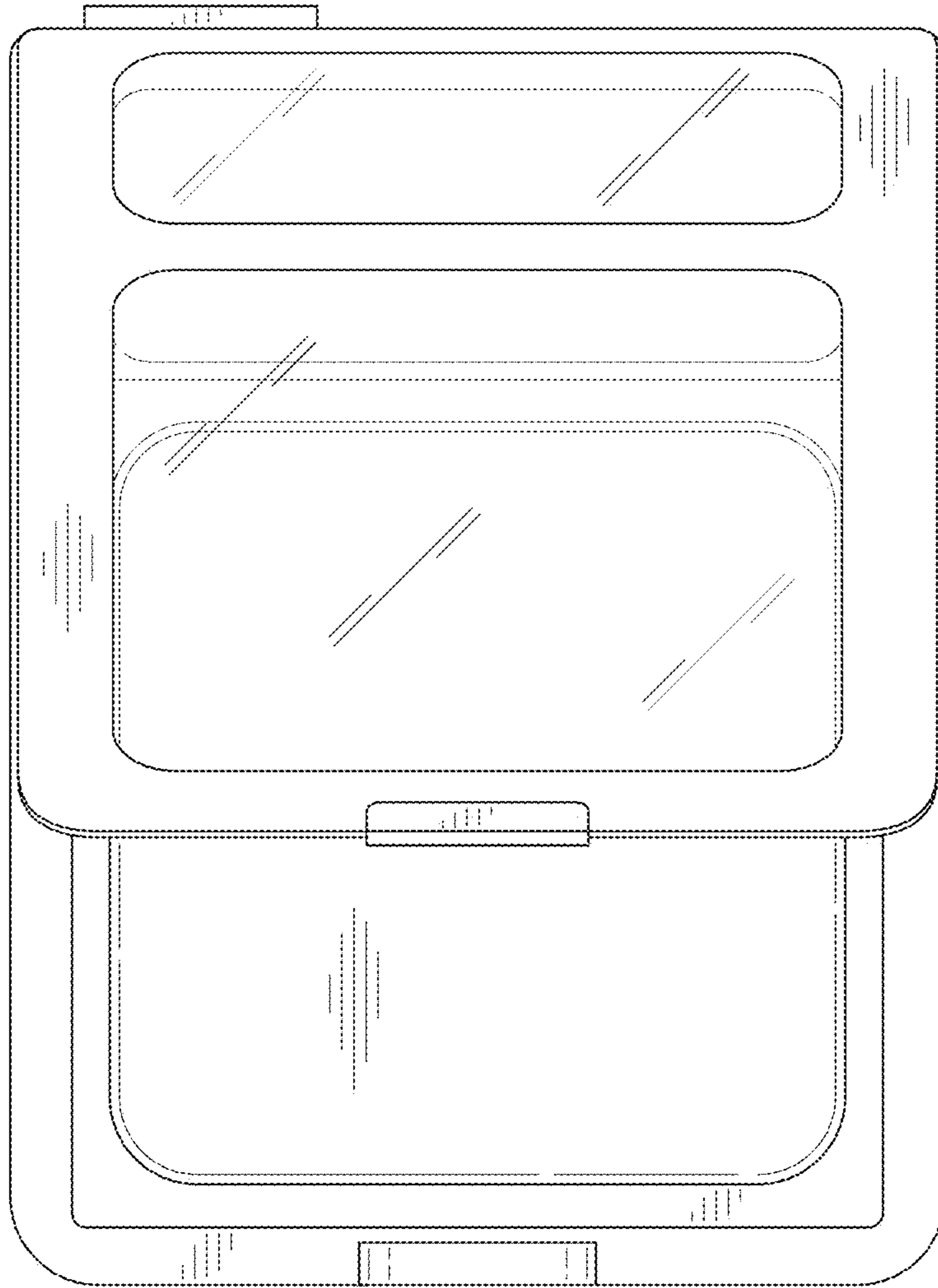


Fig. 13

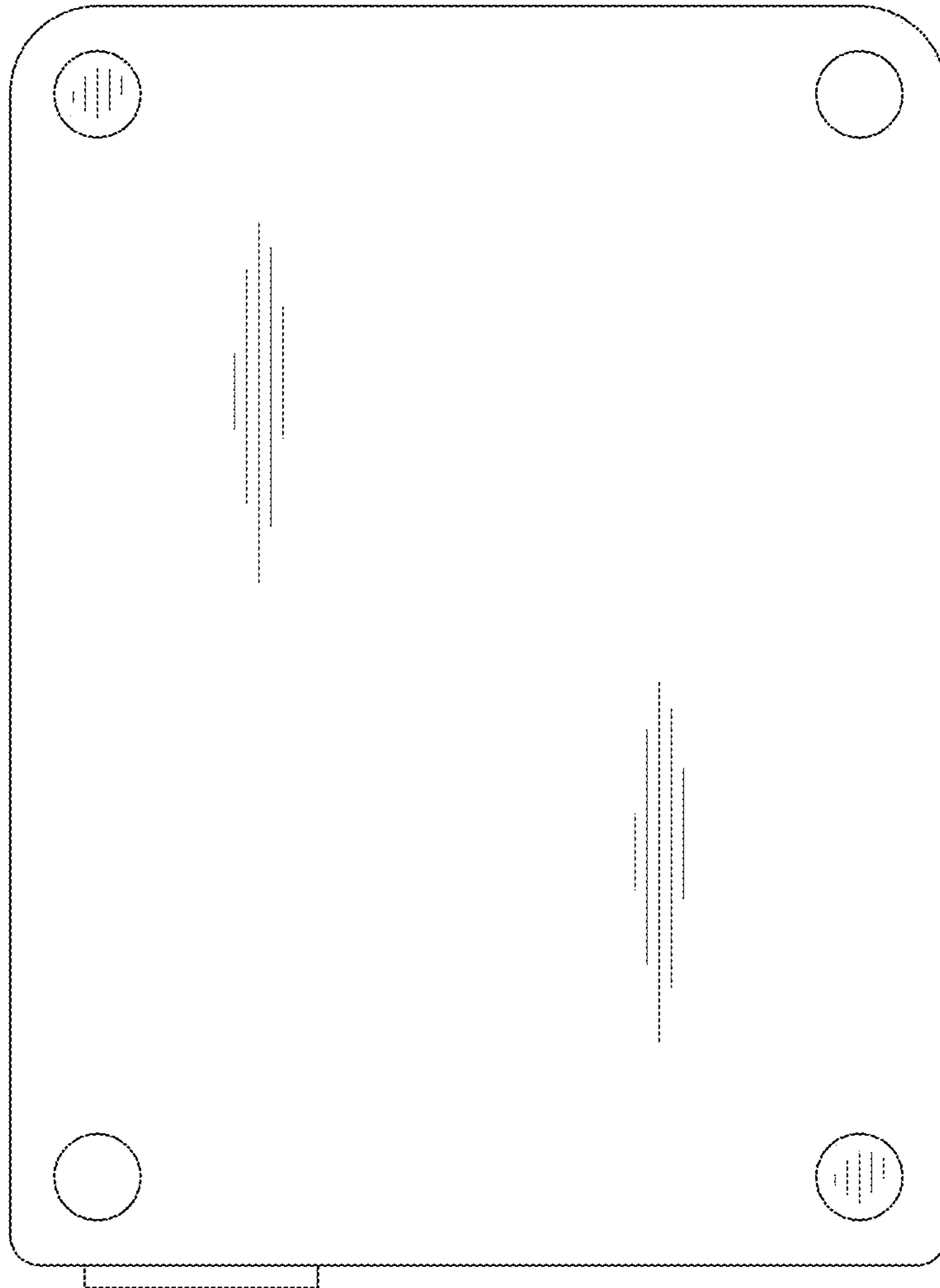


Fig. 14