

US00D895695S

(12) **United States Design Patent** (10) **Patent No.:** **US D895,695 S**  
**Choi et al.** (45) **Date of Patent:** **\*\* Sep. 8, 2020**

(54) **REFRIGERATOR**

(71) Applicant: **LG ELECTRONICS INC.**, Seoul (KR)

(72) Inventors: **Kyukwan Choi**, Seoul (KR); **Seonil Yu**, Seoul (KR); **Daesung Lee**, Seoul (KR); **Hyun Choi**, Seoul (KR)

(73) Assignee: **LG Electronics Inc.**, Seoul (KR)

(\*\*) Term: **15 Years**

(21) Appl. No.: **35/506,462**

(22) Filed: **Sep. 20, 2018**

(80) **Hague Agreement Data**

Int. Filing Date: **Sep. 20, 2018**  
Int. Reg. No.: **DM/103355**  
Int. Reg. Date: **Sep. 20, 2018**  
Int. Reg. Pub. Date: **Mar. 22, 2019**

(30) **Foreign Application Priority Data**

Mar. 20, 2018 (KR) ..... 30-2018-0013312

(51) **LOC (12) Cl.** ..... **15-07**

(52) **U.S. Cl.**  
USPC ..... **D15/85**

(58) **Field of Classification Search**  
USPC ..... D15/79-91

(Continued)

(56) **References Cited**

**U.S. PATENT DOCUMENTS**

D615,565 S \* 5/2010 Kristiansen ..... D15/86  
D629,022 S \* 12/2010 Cho ..... D15/85

(Continued)

*Primary Examiner* — Richard E Chilcot

(74) *Attorney, Agent, or Firm* — Birch, Stewart, Kolasch & Birch, LLP

(57) **CLAIM**

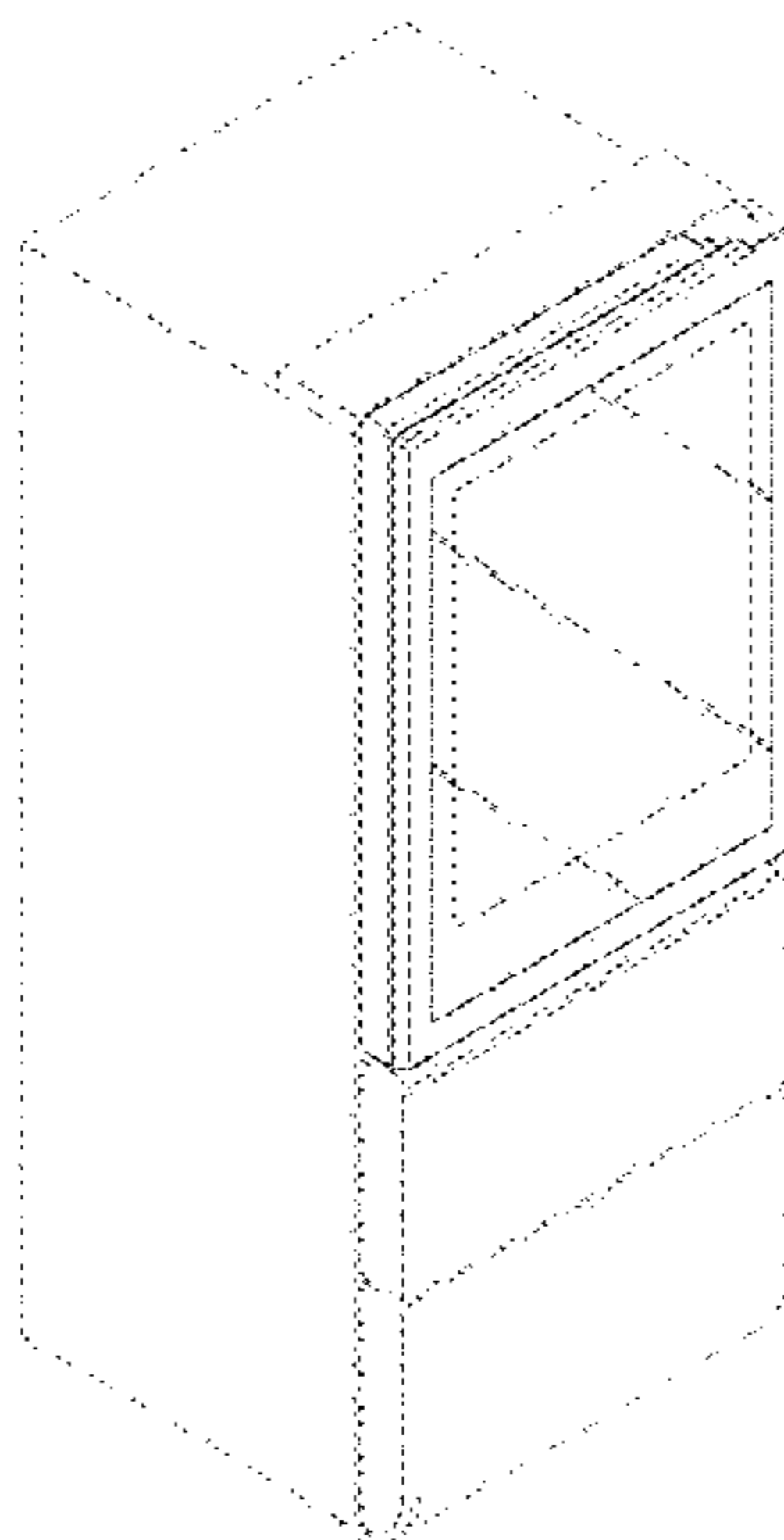
The ornamental design for a refrigerator, as shown and described.

**DESCRIPTION**

- 1. Refrigerator
- 1.1 : Perspective
- 1.2 : Front
- 1.3 : Back
- 1.4 : Left
- 1.5 : Right
- 1.6 : Top
- 1.7 : Bottom
- 1.8 : Perspective view showing the use state in which the window on the outer door has been transparent
- 1.9 : Perspective view 2
- 1.10 : Front view 2
- 1.11 : Back view 2
- 1.12 : Left view 2
- 1.13 : Right view 2
- 1.14 : Top view 2
- 1.15 : Bottom view 2
- 1.16 : Perspective view showing the use state in which the mini-table has been unfolded
- 1.17 : Perspective view 3
- 1.18 : Front view 3
- 1.19 : Back view 3
- 1.20 : Left view 3
- 1.21 : Right view 3
- 1.22 : Top view 3
- 1.23 : Bottom view 3

The broken lines depict portions of the refrigerator that form no part of the claimed design; reproductions 1.1 to 1.7 are the front perspective, front, back, left, right, top and bottom views of the refrigerator in a condition that the doors are closed; reproduction 1.8 is a perspective view showing the use state in which the window on the outer door has been transparent; reproductions 1.9 to 1.15 are the front perspective, front, back, left, right, top and bottom views in a condition that the outer door of the double door is opened; reproduction 1.16 is a perspective view of reproduction 1.9 showing the use state in which the mini-table has been unfolded; reproductions 1.17 to 1.23 are the front perspec-

(Continued)



tive, front, back, left, right, top and bottom views in a condition that the both inner and outer doors of the double door are opened; this design is for a refrigerator with a double door (door-in-door), and the outer door has a see-through type window; the see-through window is normally opaque but it turns to be transparent by the user's touch or the operation of the access sensor as shown in reproduction 1.8; at the lower part of the inner door, there is a mini-table which can be unfolded as shown in reproduction 1.16.

**1 Claim, 23 Drawing Sheets**

- (52) **U.S. Cl.**  
CPC ..... *F25D 25/025* (2013.01)
- (58) **Field of Classification Search**  
CPC ..... F25D 25/025; F25D 23/028; F25D 2323/024; F25D 23/00; F25D 23/02; F25D 2323/021; F25D 23/065; F25D 11/00; F25D 2201/14; F25D 23/021; F25D 23/025; F25D 23/04; F25D 27/00; F25D 23/062; F25D 23/067; F25D 2400/18; F25D 23/08; F25D 23/085;

F25D 2500/02; F25D 25/00; F25D 25/005; F25D 25/022; F25D 25/024; F25D 17/047; F25D 2317/041; F25D 2317/04131; F25D 2317/043; F25D 2317/0664; F25D 2321/147; F25D 2323/02; F25D 2323/023

See application file for complete search history.

(56)

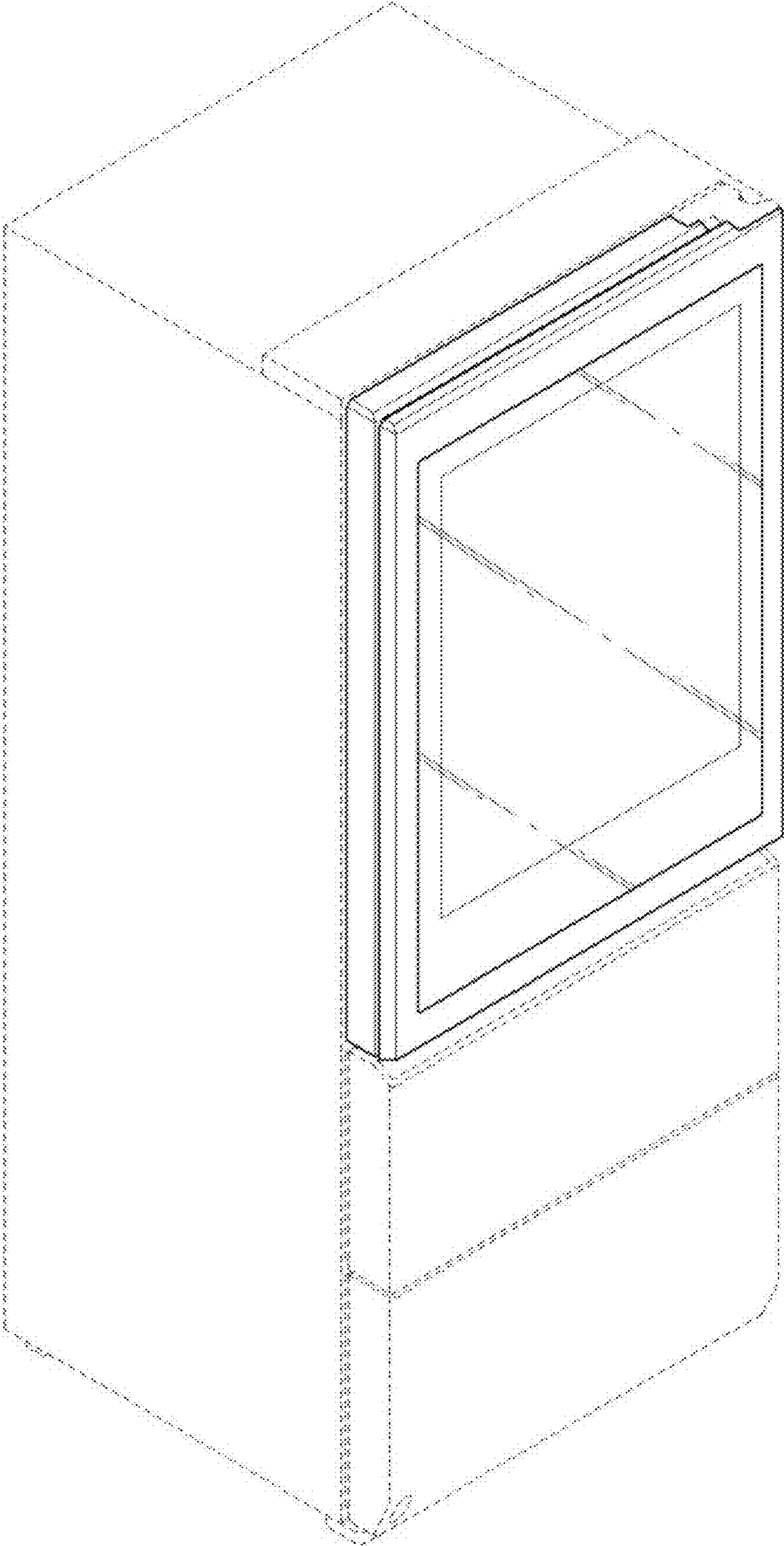
**References Cited**

U.S. PATENT DOCUMENTS

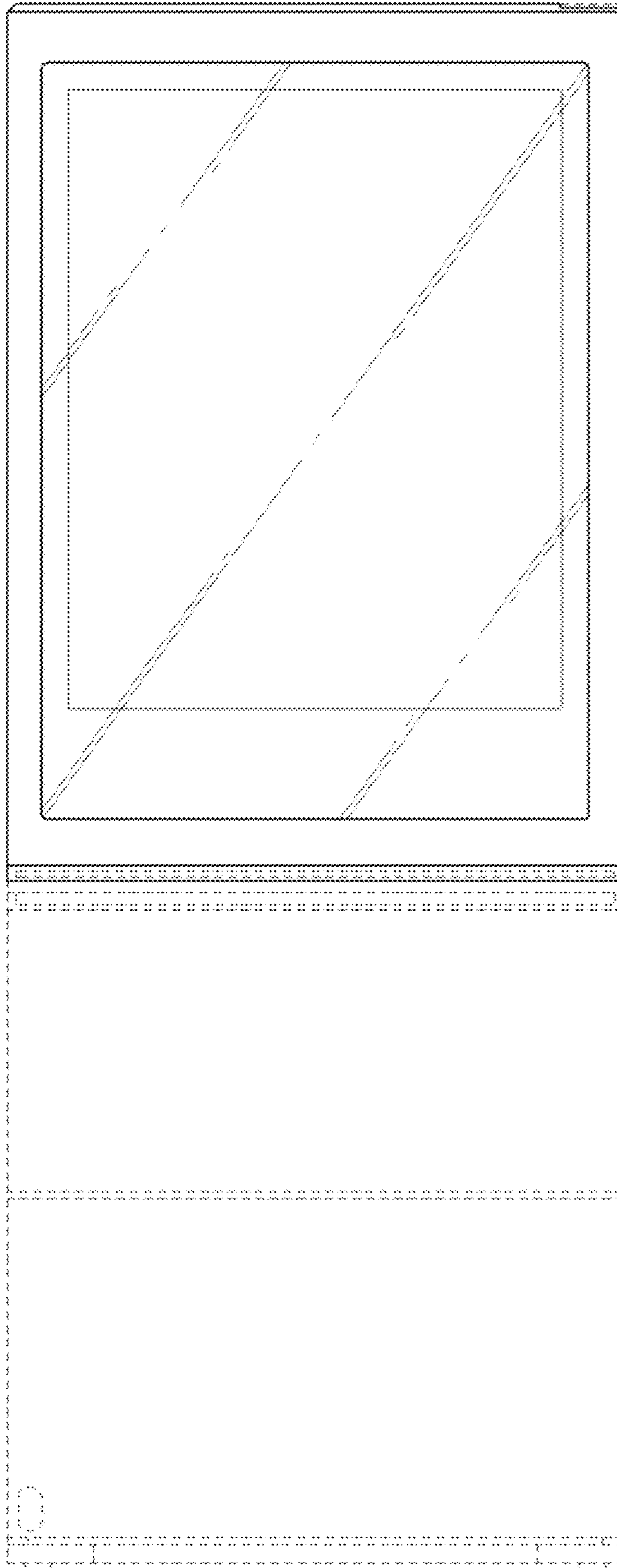
D656,967	S	*	4/2012	Yi	.....	D15/86
D673,189	S	*	12/2012	Kwak	.....	D15/86
D681,075	S	*	4/2013	Yi	.....	D15/86
D691,644	S	*	10/2013	Cho	.....	D15/86
D701,539	S	*	3/2014	Saejin	.....	D15/85
D702,739	S	*	4/2014	Kim	.....	D15/86
D724,629	S	*	3/2015	Choi	.....	D15/85
D729,286	S	*	5/2015	Kwak	.....	D15/85
D732,584	S	*	6/2015	Sin	.....	D15/86
D742,434	S	*	11/2015	Yeo	.....	D15/86
D767,648	S	*	9/2016	Shoemaker	.....	D15/86
D826,998	S	*	8/2018	Lee	.....	D15/91

\* cited by examiner

1.1

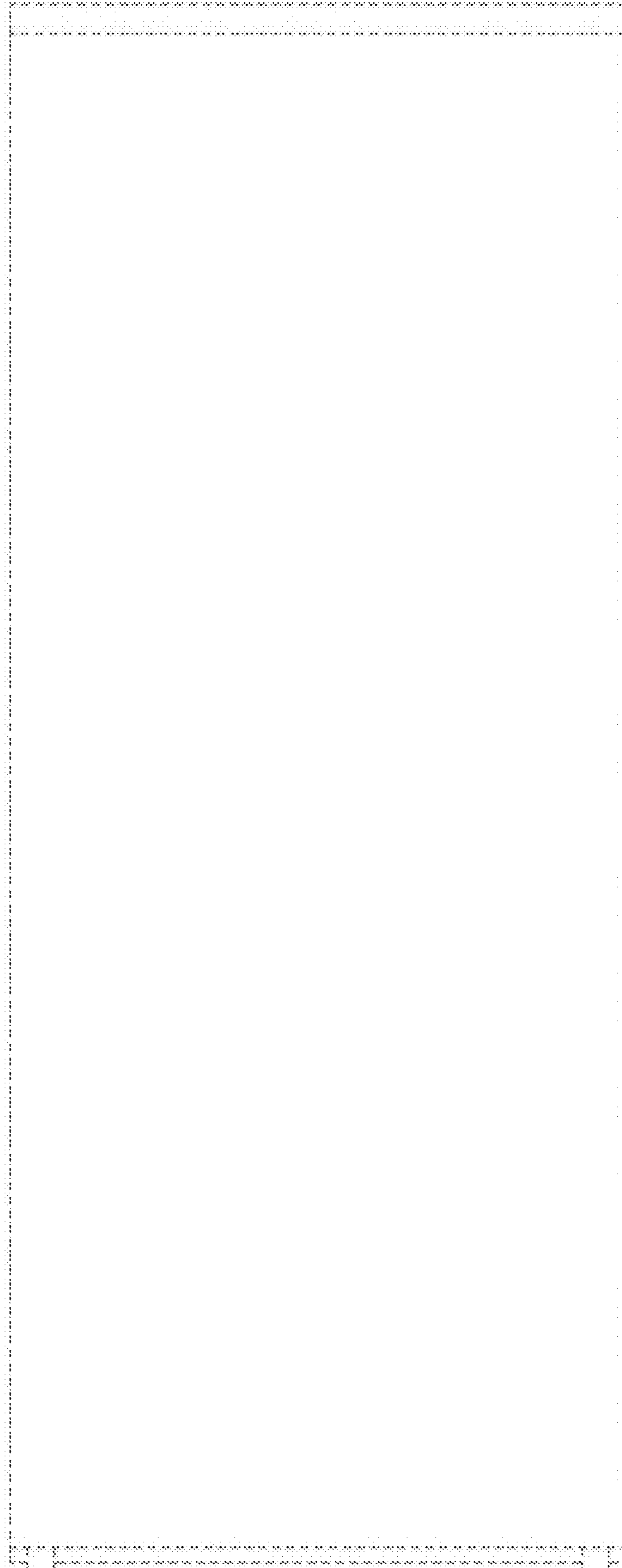


1.2

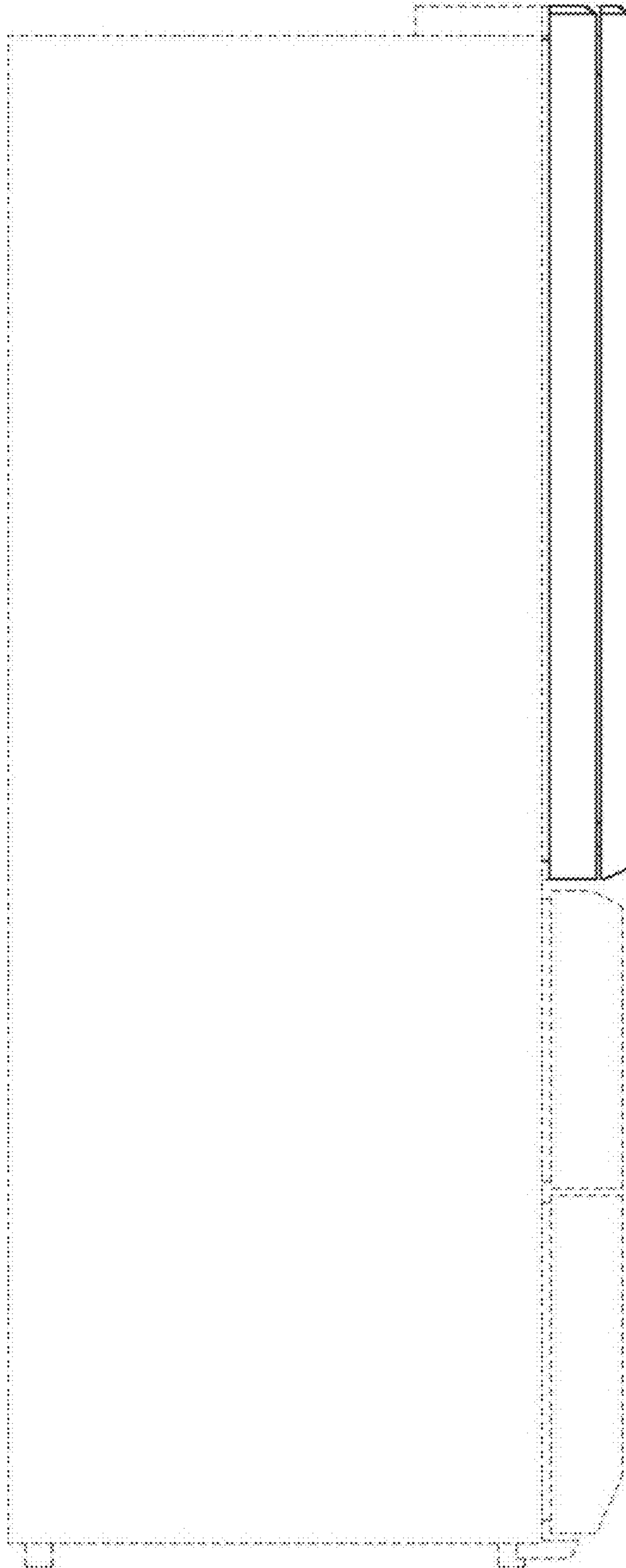




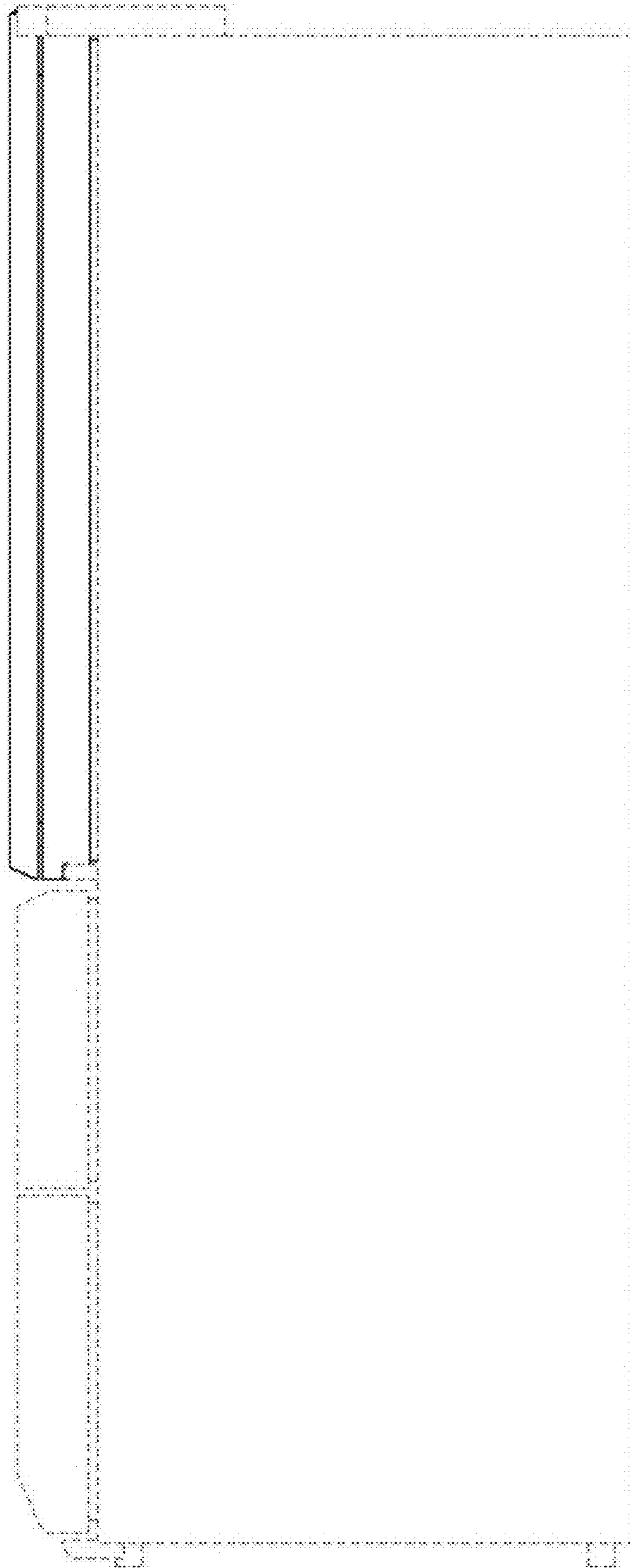
**1.3**



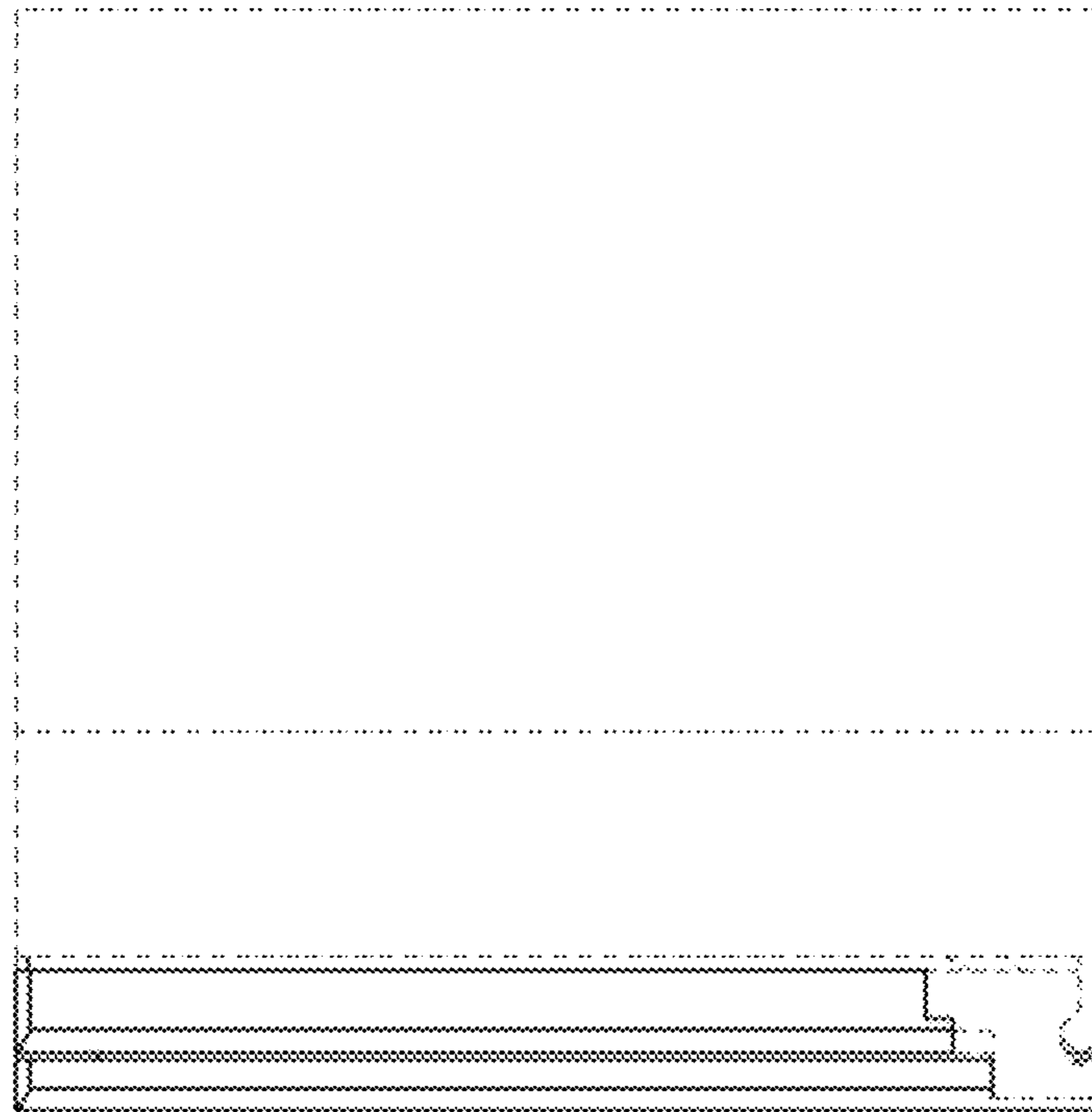
1.4



1.5

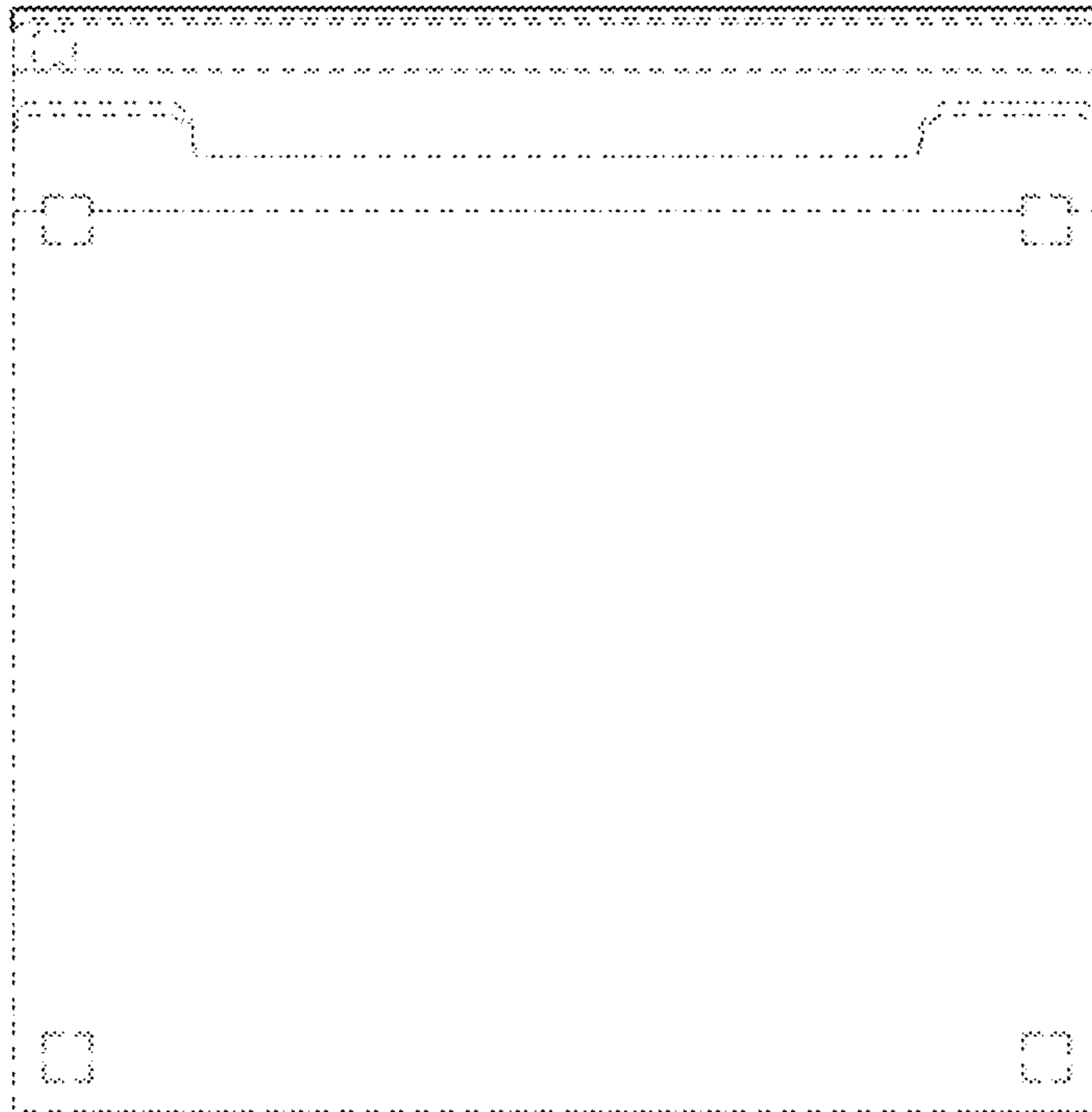


**1.6**

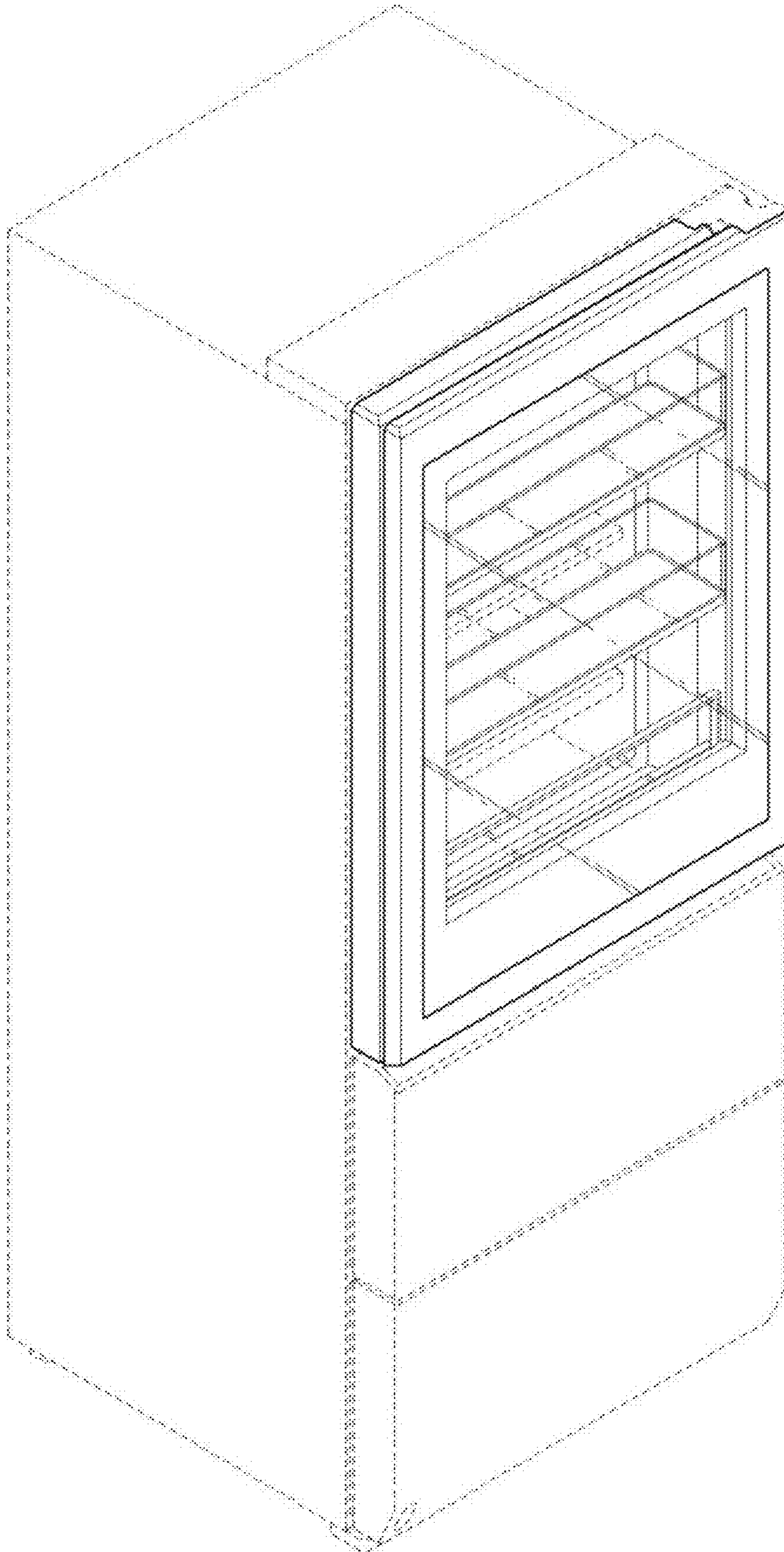




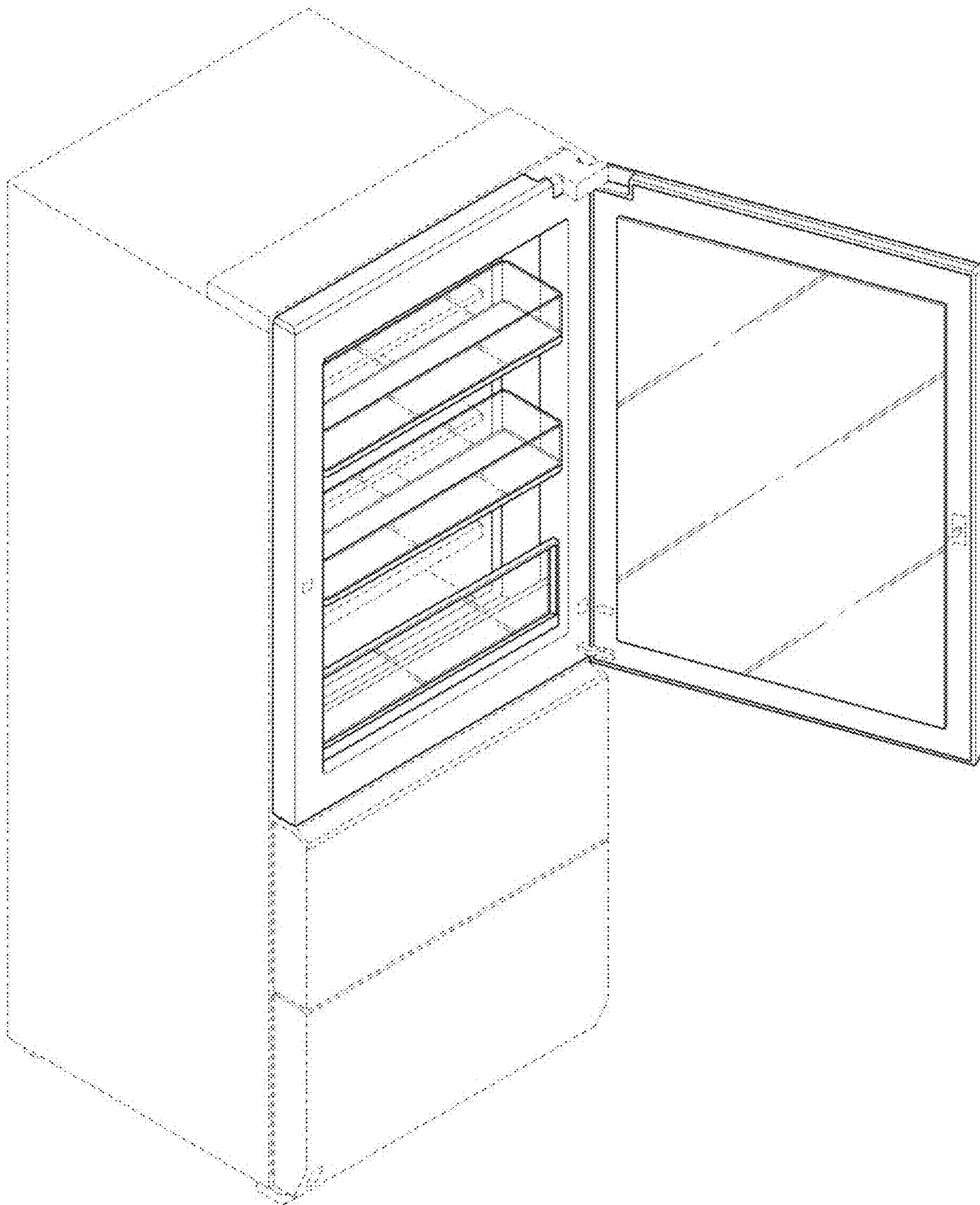
1.7



1.8

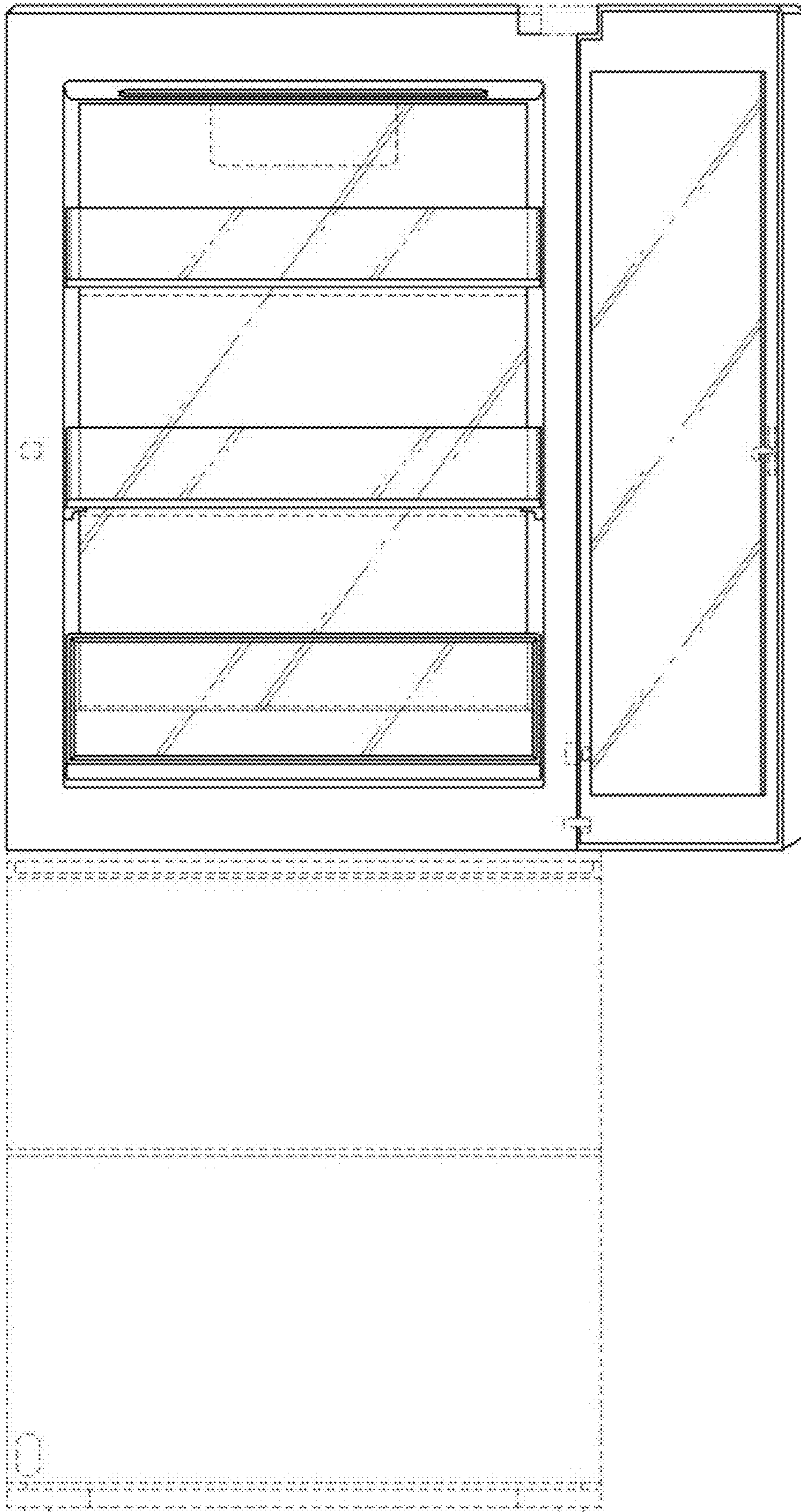


1.9

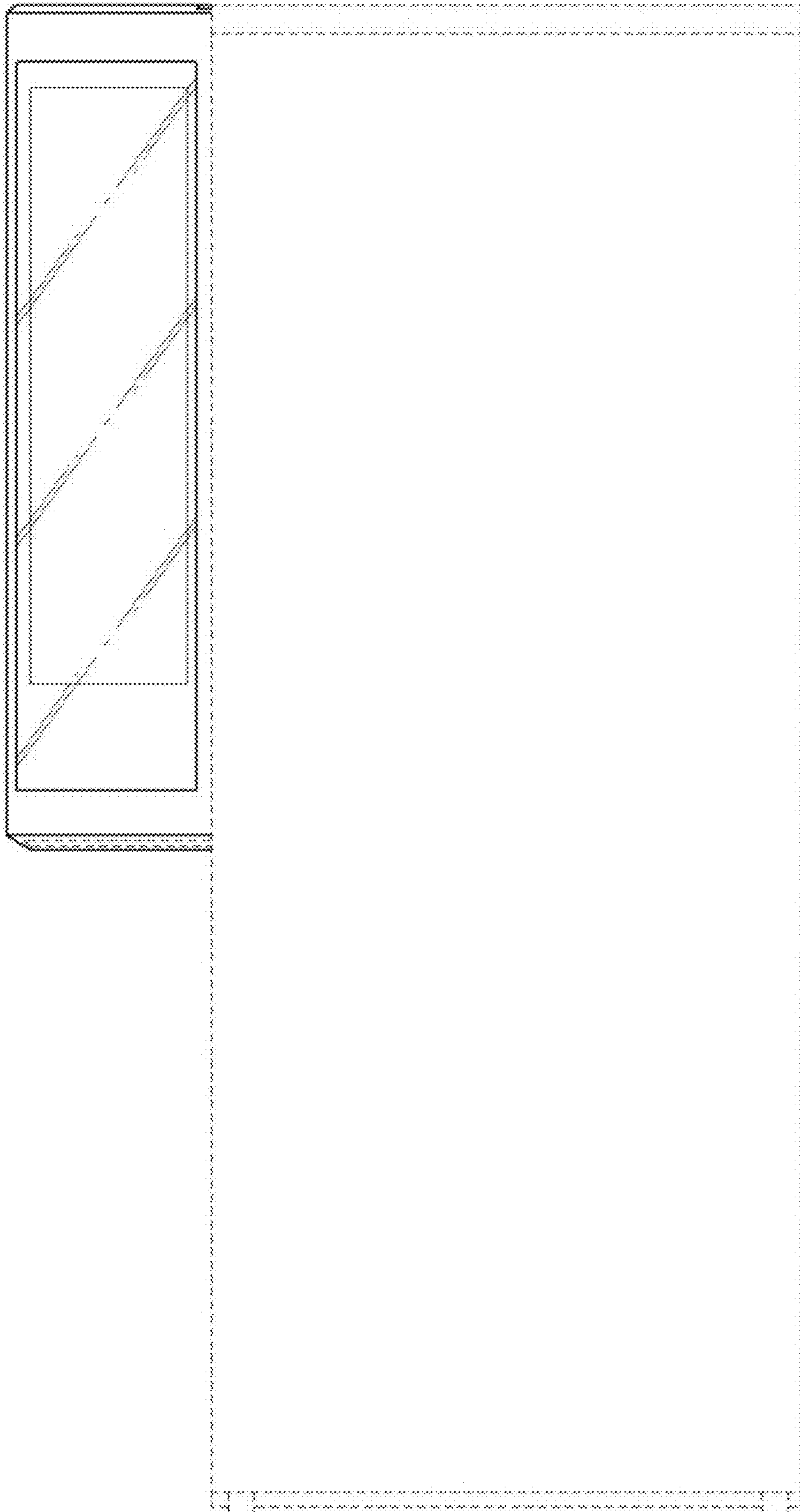




1.10

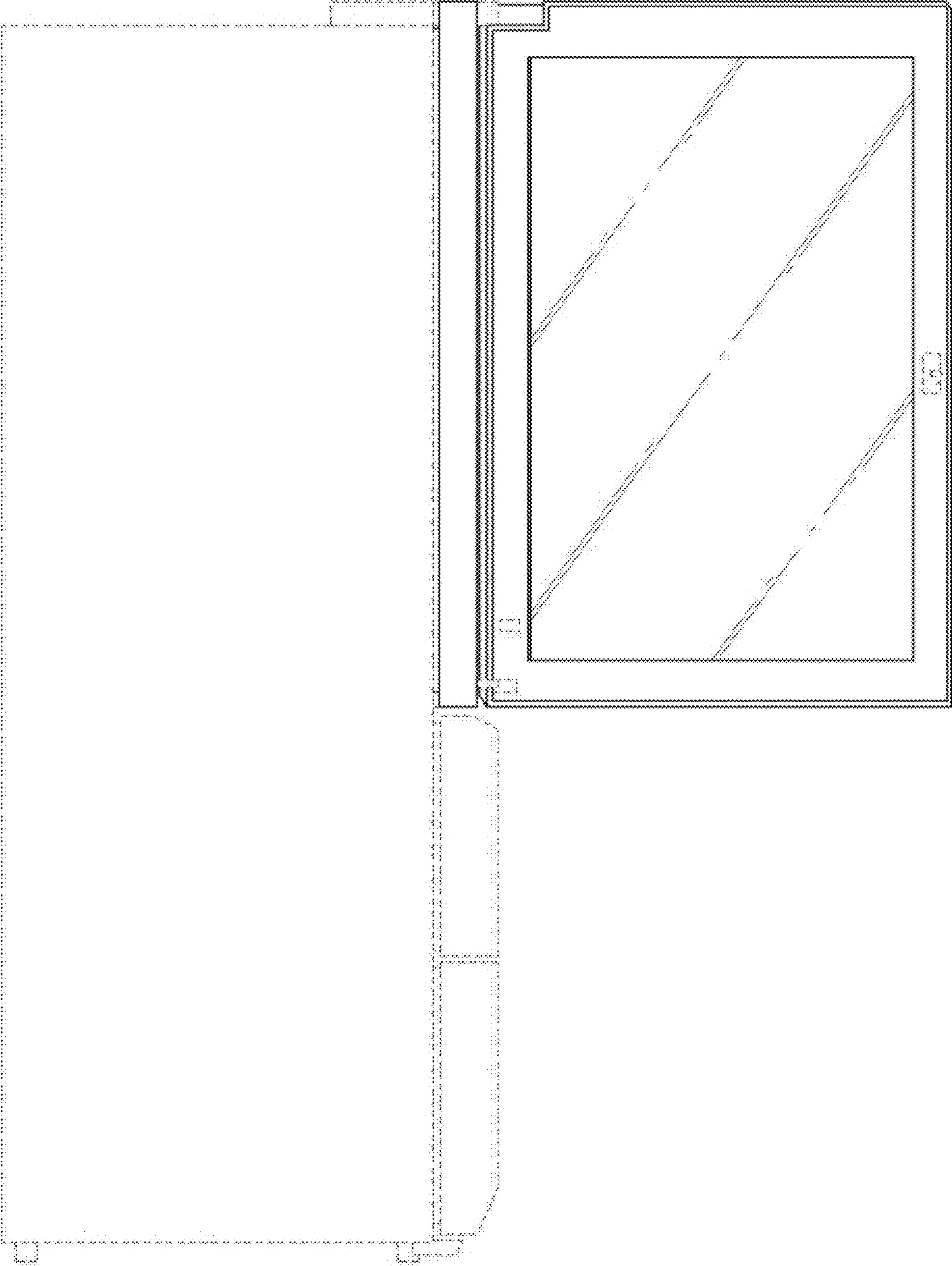


**1.11**

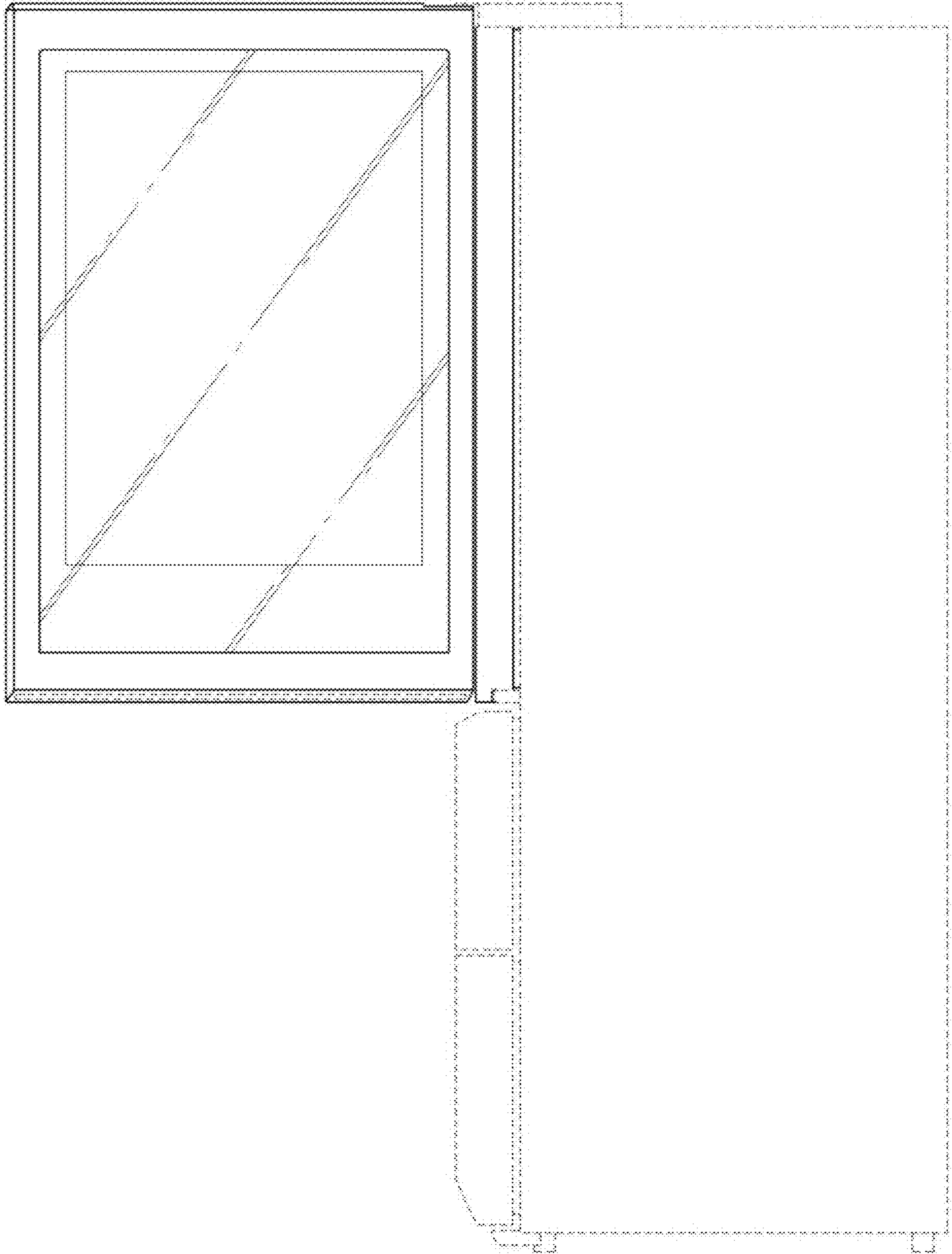




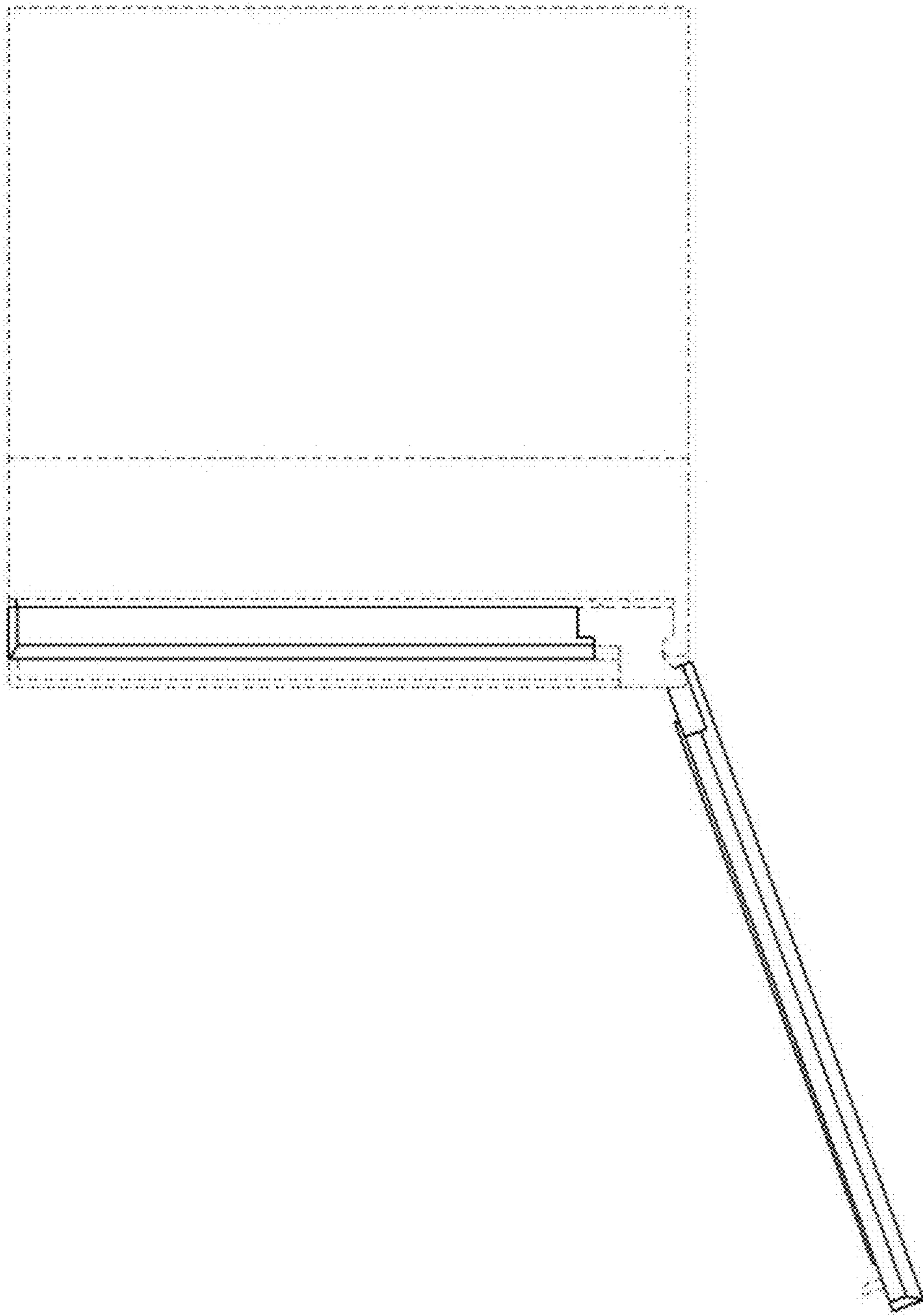
1.12



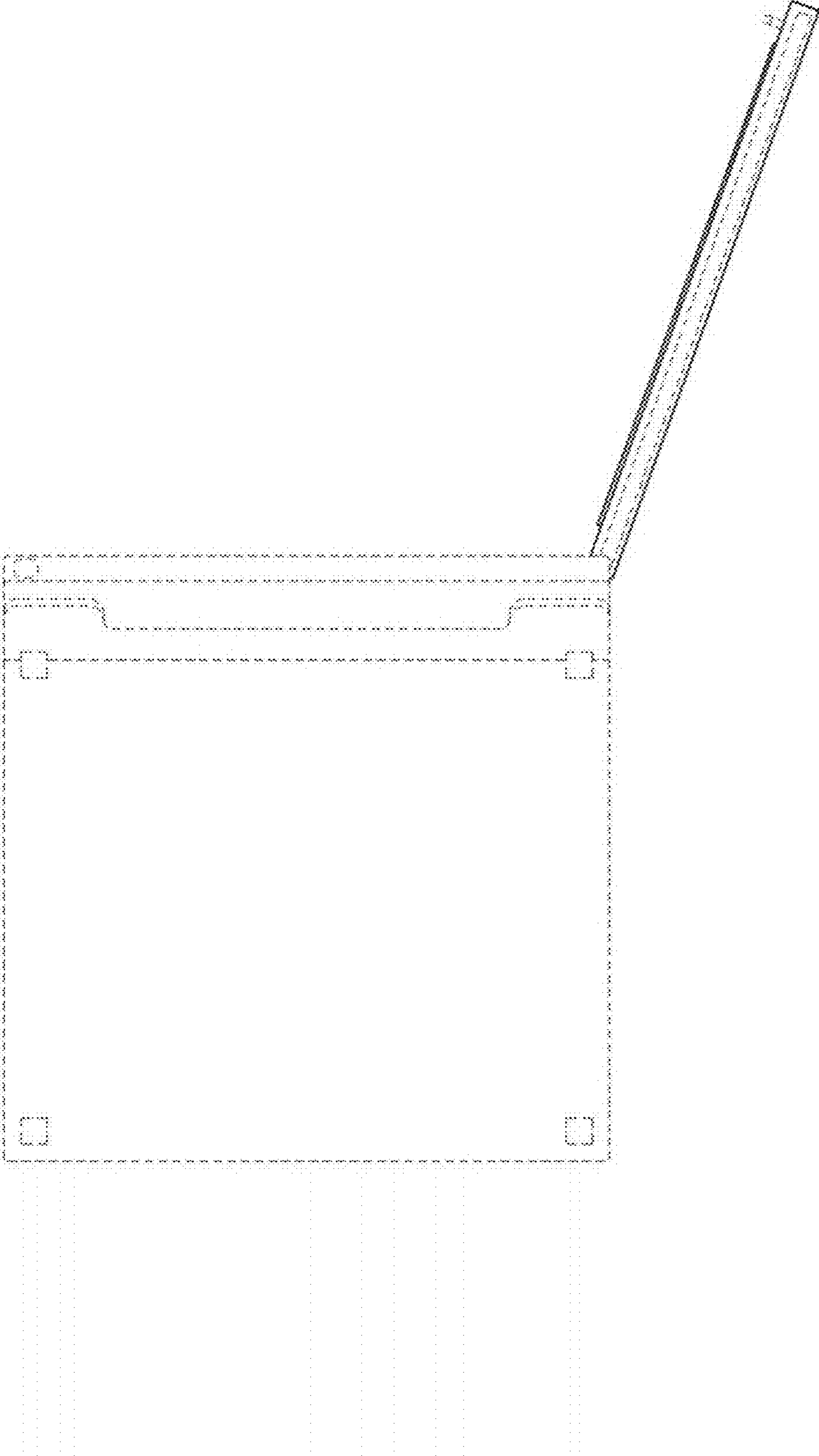
1.13



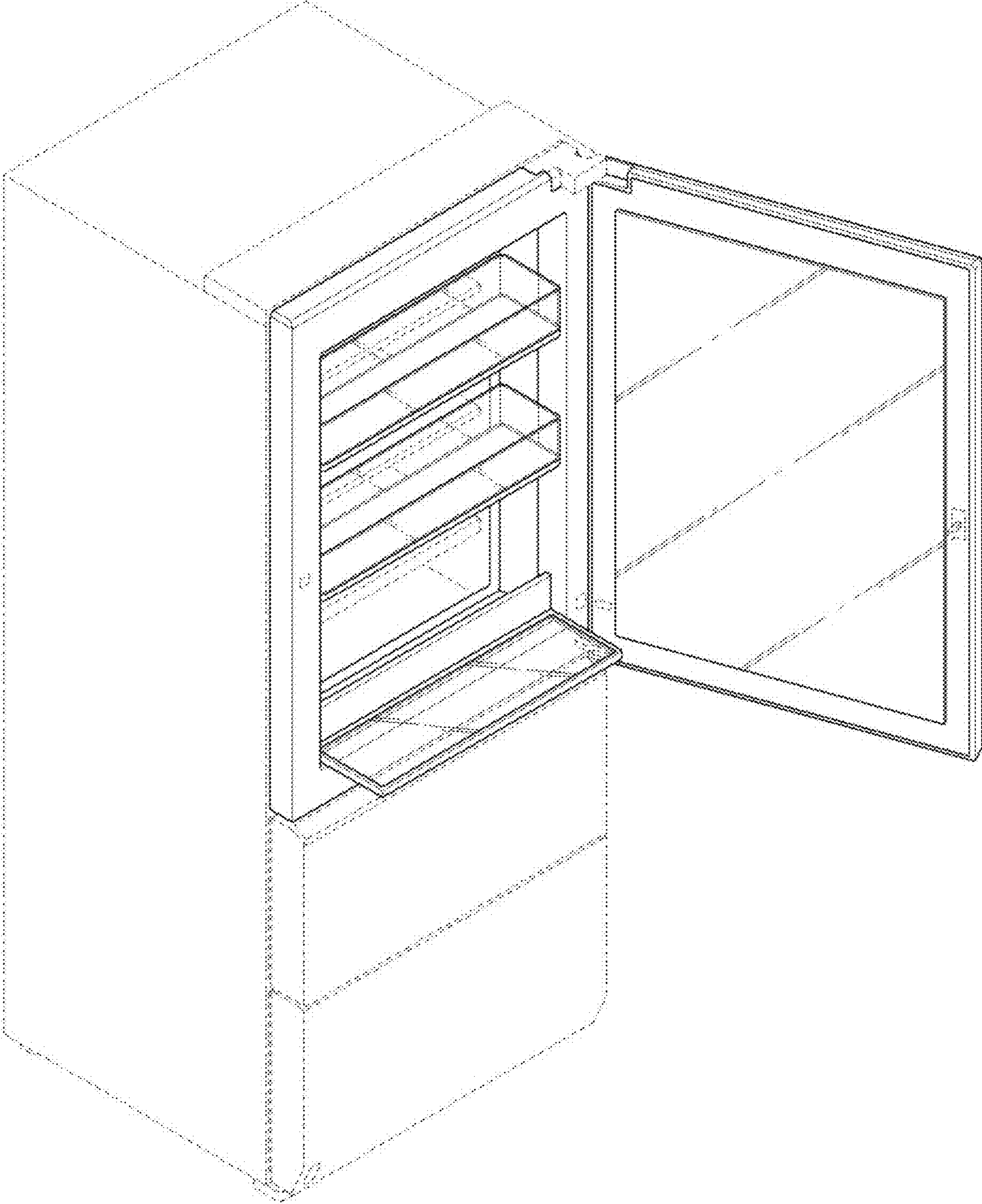
1.14



1.15

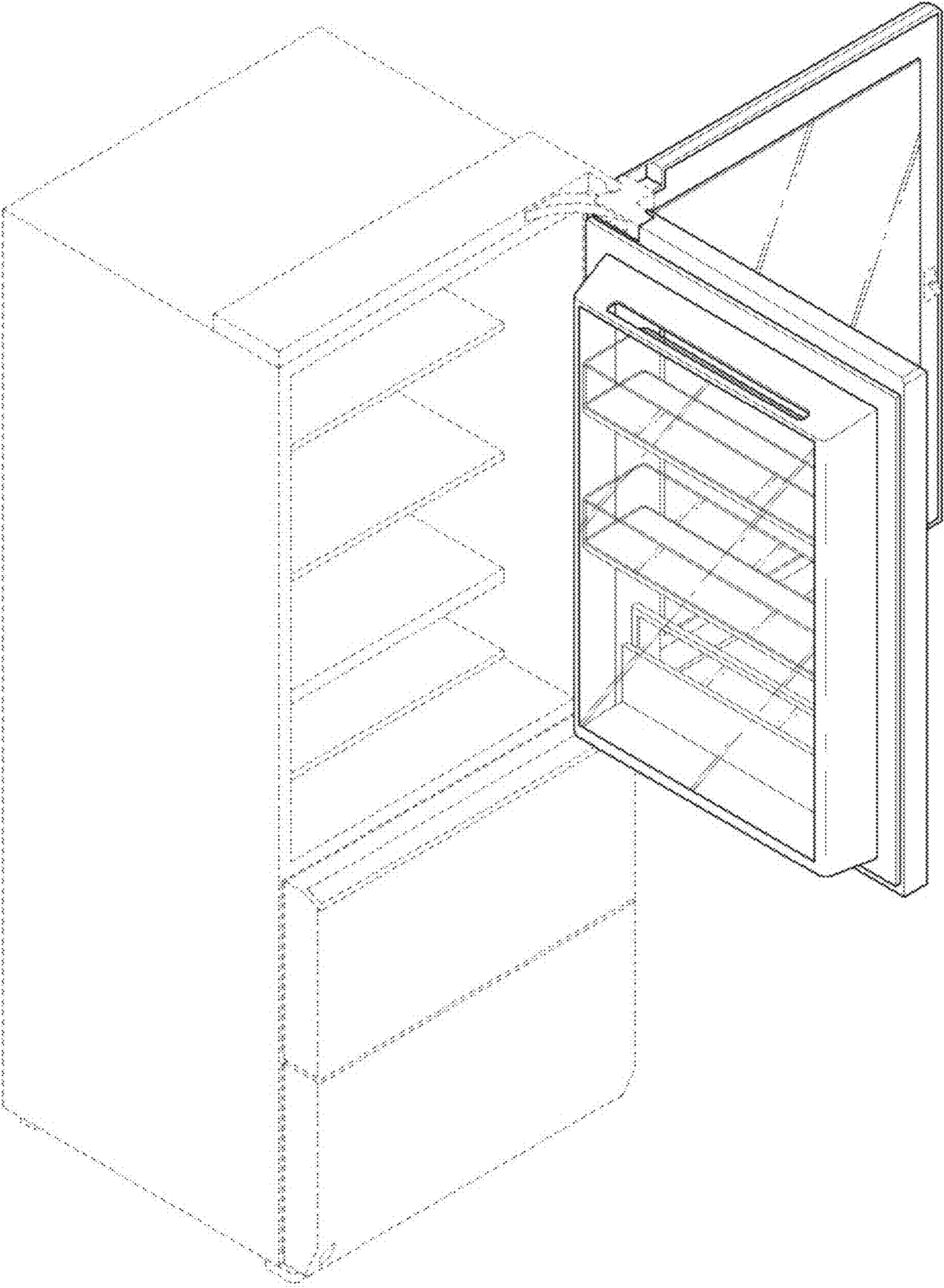


1.16

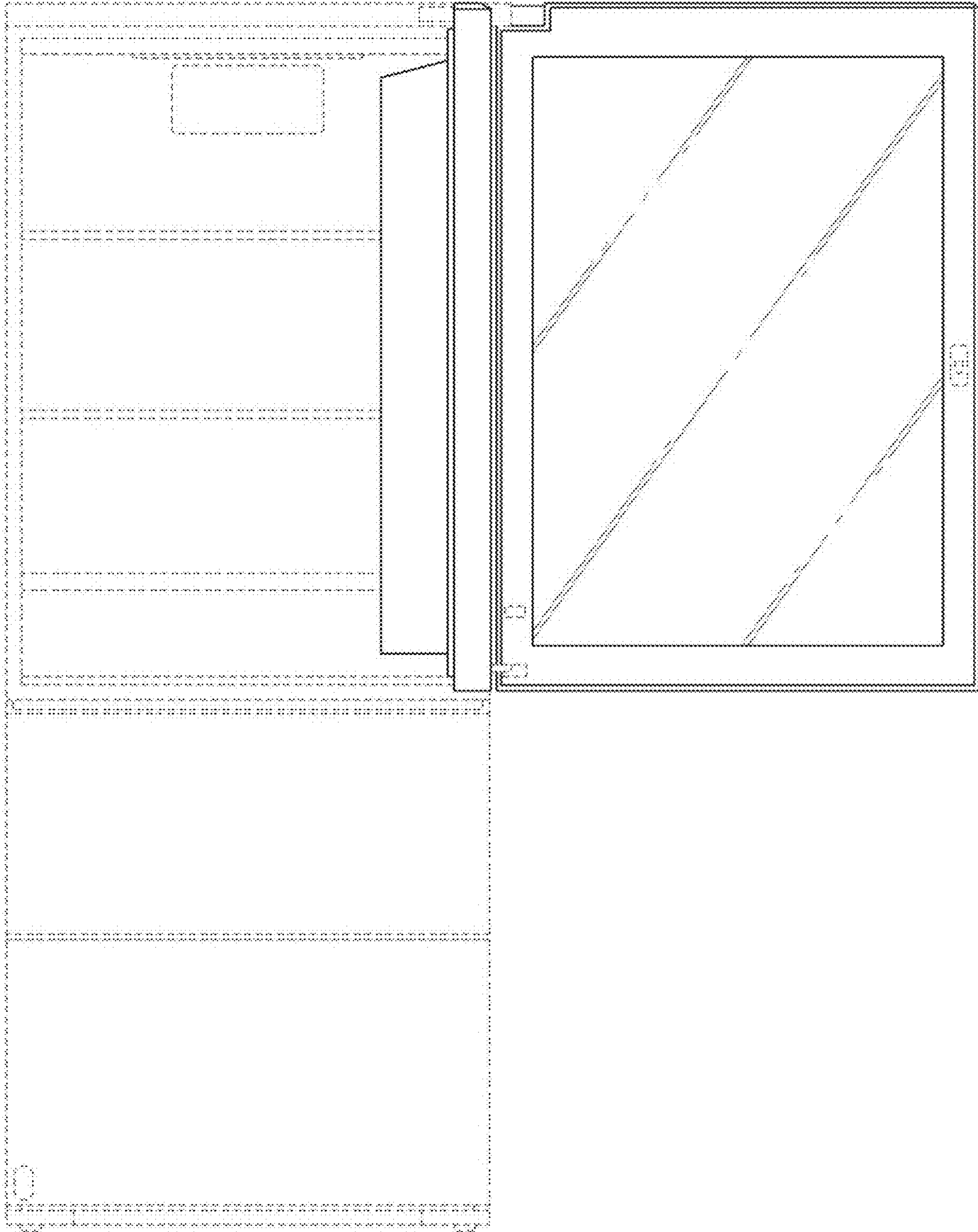




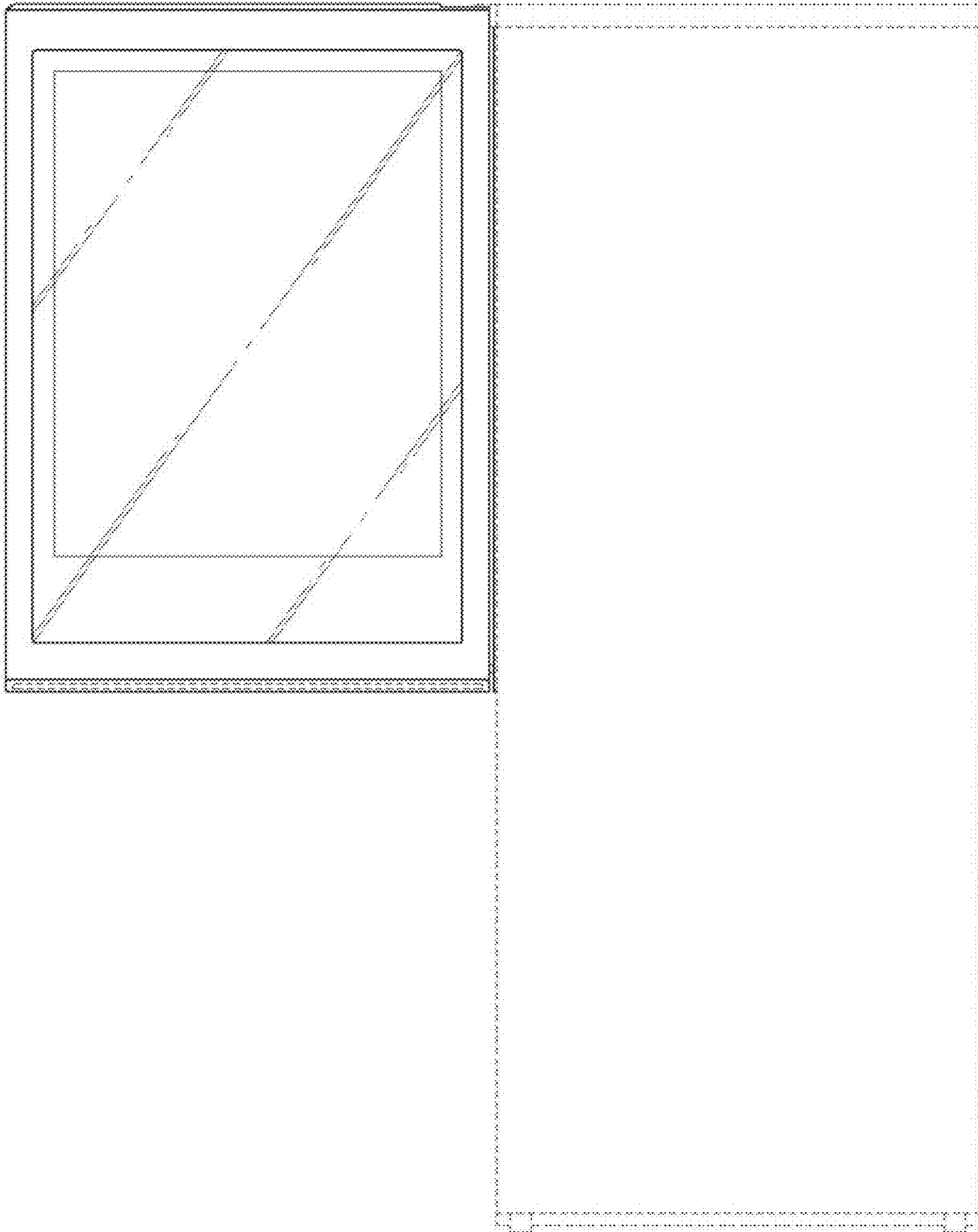
1.17



1.18

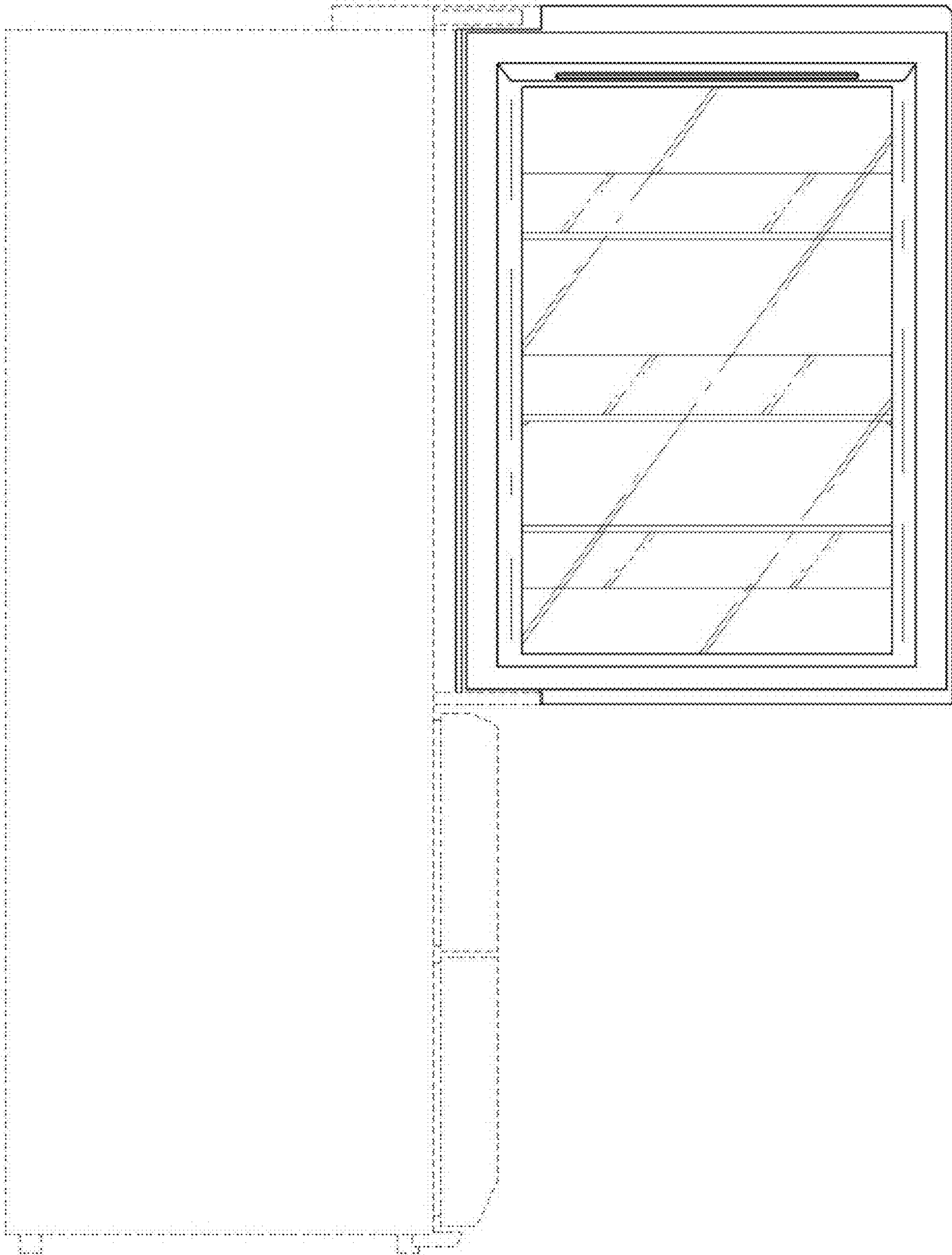


1.19

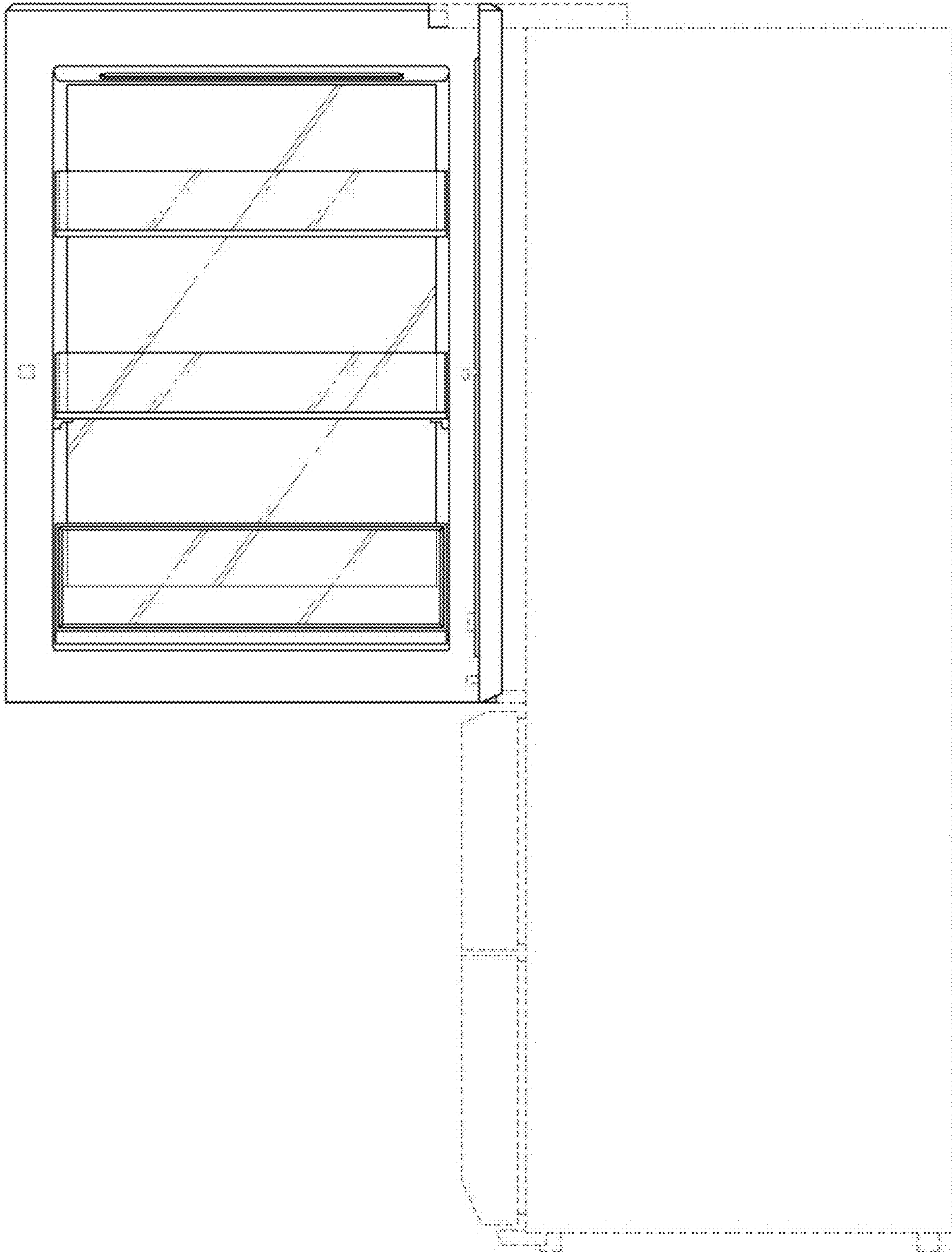




1.20

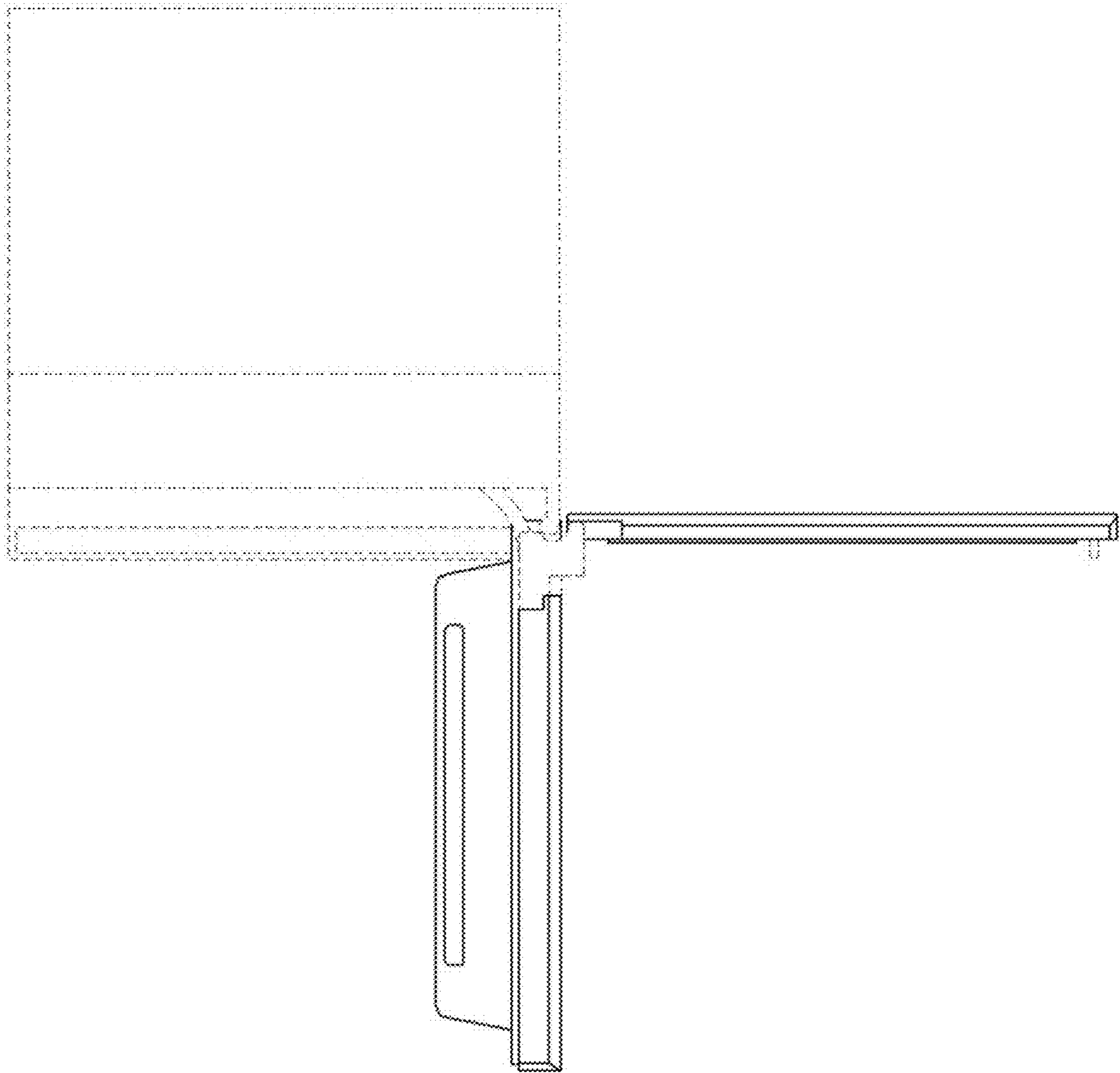


1.21





1.22



1.23

