

US00D895691S

(12) **United States Design Patent** (10) **Patent No.:** **US D895,691 S**
Rosen et al. (45) **Date of Patent:** **** Sep. 8, 2020**

(54) **LOOM** 3,665,971 A 5/1972 Ileks
3,678,709 A 7/1972 Nowicki et al.
(71) Applicant: **LaRose Industries, LLC**, Randolph, NJ (US) D224,900 S * 10/1972 Eisenbeis D15/66
3,800,372 A 4/1974 Daoust
3,967,467 A 7/1976 Leach, Sr.
(72) Inventors: **Lawrence Rosen**, Mendham, NJ (US); 4,023,245 A 5/1977 Zaltzman
Parviz Daftari, Summit, NJ (US) 4,114,892 A 9/1978 Csoka
4,158,296 A 6/1979 Dunlop
4,248,063 A 2/1981 Wang
(73) Assignee: **LAROSE INDUSTRIES, LLC**, Randolph, NJ (US) 4,393,668 A 7/1983 Leach, Sr.
4,416,040 A 11/1983 Towsley
D273,588 S * 4/1984 Barrett D15/66

(**) Term: **15 Years**

(21) Appl. No.: **29/675,309**

(22) Filed: **Dec. 31, 2018**

(51) **LOC (12) Cl.** **15-06**

(52) **U.S. Cl.**
USPC **D15/66**

(58) **Field of Classification Search**
USPC D15/66-78
CPC . D05C 1/04; D03D 29/00; D04B 3/00; D04B 5/00; D04B 39/00

See application file for complete search history.

(56) **References Cited**

U.S. PATENT DOCUMENTS

1,318,465 A * 10/1919 Seifarth D04B 39/00 66/4
1,694,849 A 12/1928 Fujii
1,705,860 A 3/1929 Hagihara
1,776,561 A 9/1930 Croix
2,072,668 A 3/1937 Eltgroth
2,237,733 A 4/1941 Grimm et al.
2,360,416 A 10/1944 Gray
2,433,307 A 12/1947 Thomas
2,457,064 A 12/1948 Parisi
2,545,409 A 3/1951 McCall
2,573,484 A 10/1951 Phelps
2,729,434 A 1/1956 Walden
2,959,825 A 11/1960 Gould
D204,442 S * 4/1966 Brawley, Jr. D15/66

FOREIGN PATENT DOCUMENTS

GB 2147918 5/1985

OTHER PUBLICATIONS

Amazon.com: Boye Long Loom Set: Home & Kitchen. http://www.amazon.com/Boye-3702004001W-Long-Loom-Set/dp/B006J2YLU/ref=pd_sbs_ac_12 Obtained Mar. 18, 2013, 6 pages.

(Continued)

Primary Examiner — Mitchell I. Siegel

(74) *Attorney, Agent, or Firm* — Lewis Roca Rothgerber Christie LLP; John K. Kim; Ralph W. Selitto

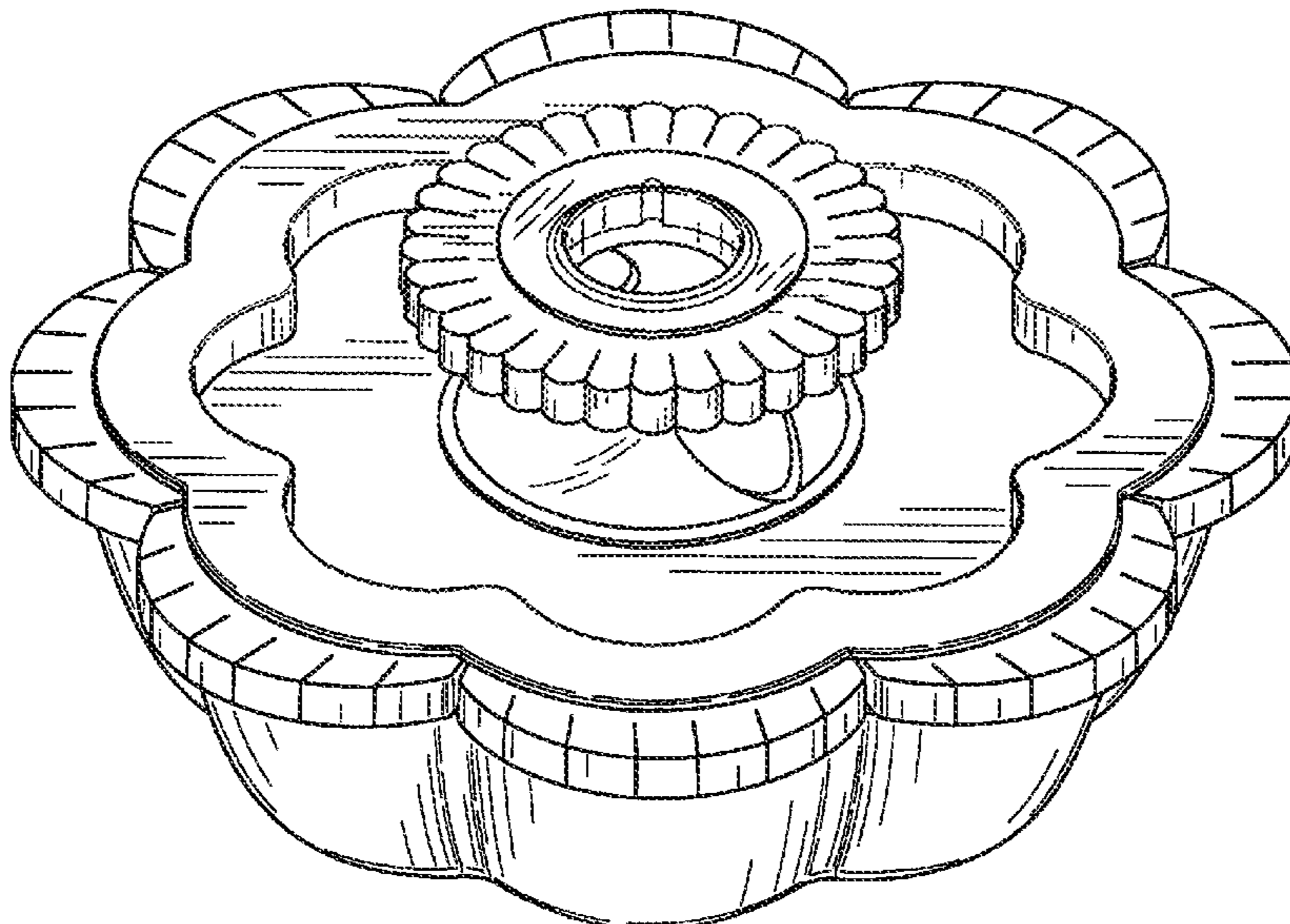
(57) **CLAIM**

The ornamental design for a loom, as shown and described.

DESCRIPTION

FIG. 1 is a front perspective view of a loom;
FIG. 2 is a top plan view thereof;
FIG. 3 is a bottom plan view thereof;
FIG. 4 is a front elevational view thereof, the undisclosed rear being identical; and,
FIG. 5 is right side elevational view thereof, the undisclosed left side being identical.

1 Claim, 4 Drawing Sheets



(56)

References Cited

U.S. PATENT DOCUMENTS

D279,011 S * 5/1985 Riehm D15/66
 4,562,868 A 1/1986 Jammes
 4,729,229 A 3/1988 Whicker
 D307,819 S * 5/1990 Peters D15/66
 D310,672 S * 9/1990 Harvey D15/66
 5,231,742 A 8/1993 Macbain
 5,327,621 A 7/1994 Yasui et al.
 5,328,374 A 7/1994 Stevens
 5,426,788 A 6/1995 Meltzer
 5,639,090 A 6/1997 Stevens
 6,065,968 A 5/2000 Corliss
 6,129,551 A 10/2000 Martin
 7,040,120 B2 5/2006 Hunter
 D563,997 S * 3/2008 Gustin D15/78
 7,506,524 B2 3/2009 Gustin
 D592,537 S 5/2009 Darnell
 7,578,146 B2 8/2009 Gustin
 D635,594 S 4/2011 Novak
 D645,064 S 9/2011 Basta
 8,234,851 B2 8/2012 Wright
 8,316,894 B2 11/2012 Schaub
 D676,069 S * 2/2013 Fujiwara D15/78
 D676,880 S * 2/2013 Crorey D15/66
 8,397,478 B2 3/2013 Wright
 8,418,434 B1 4/2013 Carruth et al.
 D686,253 S * 7/2013 Wijerama D15/66
 8,485,565 B2 7/2013 Ng
 D700,220 S * 2/2014 Crorey D15/78
 8,684,420 B2 4/2014 Ng
 D707,732 S * 6/2014 Crorey D15/66
 8,746,753 B2 * 6/2014 Crorey D04G 5/00
 289/13
 D711,931 S * 8/2014 Daftari D15/66
 D717,347 S * 11/2014 Hatcher D15/66
 D721,744 S * 1/2015 Daftari D15/66
 8,931,811 B1 * 1/2015 Ng A44C 5/0069
 289/17
 8,936,283 B2 * 1/2015 Ng A44C 5/0069
 289/17
 D722,088 S * 2/2015 Pent D15/66
 8,973,955 B2 * 3/2015 Ng A44C 27/00
 289/17
 D732,582 S * 6/2015 Verona D15/66
 D737,340 S * 8/2015 Shirai D15/66
 D737,341 S * 8/2015 Shirai D15/66
 D745,900 S * 12/2015 Novak D15/66
 D748,158 S * 1/2016 Ng D15/66
 D748,159 S * 1/2016 Ng D15/66
 D748,687 S * 2/2016 Crorey D15/66
 D751,124 S * 3/2016 Miller D15/66
 D754,216 S * 4/2016 Ng D15/66
 D755,258 S * 5/2016 Ng D15/66

D773,174 S * 12/2016 Okuma D3/26
 D777,806 S * 1/2017 Novak D15/66
 D791,198 S * 7/2017 Smith D03D 29/00
 D15/66
 D795,310 S * 8/2017 Novak D15/66
 D855,666 S * 8/2019 Levin D15/66
 2008/0223083 A1 9/2008 Gustin
 2012/0047960 A1 3/2012 Sasur
 2012/0244353 A1 9/2012 Wright
 2013/0020802 A1 1/2013 Ng
 2013/0300114 A1 11/2013 Ng

OTHER PUBLICATIONS

Amazon.com: Boye Round Loom Set: Home & Kitchen. http://www.amazon.com/Boye-3702001001W-Round-Loom-Set/dp/B005VEUNMNref=pd_sbs_ac-7 Obtained Mar. 18, 2013, 6 pages.
 Knifty Knitter Loom Series 19 inch: Beverlys.com. http://www.beverlys.com/knifty-knitter-long-21/0105.html?gclid=CO_4ouXQhrYCFQ6EnQodWy0Adw Obtained Mar. 18, 2013, 1 page.
 Provo Craft Knifty Knitter Loom Sets from Blick Art Materials at shop.com http://www.shop.com/Provo_Craft_Knifty_Knitter_Loom_Sets-721555729-756943565-p+xhtml?sourcei . . . Obtained Mar. 18, 2013, 3 pages.
 Amazon.com: Knifty Knitter Long Loom Set (1 set of 4 looms): Arts, Crafts & Sewing. http://www.amazon.com/Knifty-Knitter-Long-Loom-looms/dp/B000I1HNME/ref=sr_1_6?ie=UTF8&qid . . . Obtained Mar. 18, 2013, 6 pages.
 Google Image Result for http://www.lulusoso.com/upload/20120311/knitted_slipper_pttrn_long_loom . . . <http://images.google.com/images?q=children+loom+for+elastic+bands&start=80&hi=en&gbv+2&biw=1> . . . Obtained Mar. 15, 2013, 1 page.
<http://www.knittingloomfactory.com/> Obtained Mar. 18, 2013, 4 pages.
 2011 new amazing stylish bags hats scarves knitting around loom <http://sell.lulusoso.com/selling-leads/675205/2011-new-amazing-stylish-bags-hats-scarves-knitting-round> . . . Obtained Mar. 18, 2013, 6 pages.
 Animal hat knitting patterns long loom knitting for sale—Price, China Manufacturer, Supplier 588749 <http://well.lulusoso.com/selling-leads/588749/animal-hat-knitting-patterns-long-loom-knitting.html> Obtained Mar. 18, 2013, 5 pages.
<http://www.knittingloomfactory.com/> Obtained Mar. 18, 2013, 7 pages.
 Long loom knitting for sale—Price, China Manufacturer, Supplier 1954646 <http://sell.lulusoso.com/selling-leads/1954646/long-loom-knitting.html> Obtained Mar. 18, 2013, 5 pages.
 Photos of Rainbow Loom, Super Fun Rubber Band Bracelet Making Kit and Packaging, Choon's Design LLC, © 2012.
 FunLoom Bracelet Kit—FunLoomPlus Accessories, <http://www.funloomplus.com/funloom-bracelet-kit/> Obtained Jul. 11, 2013, 2 pages.

* cited by examiner

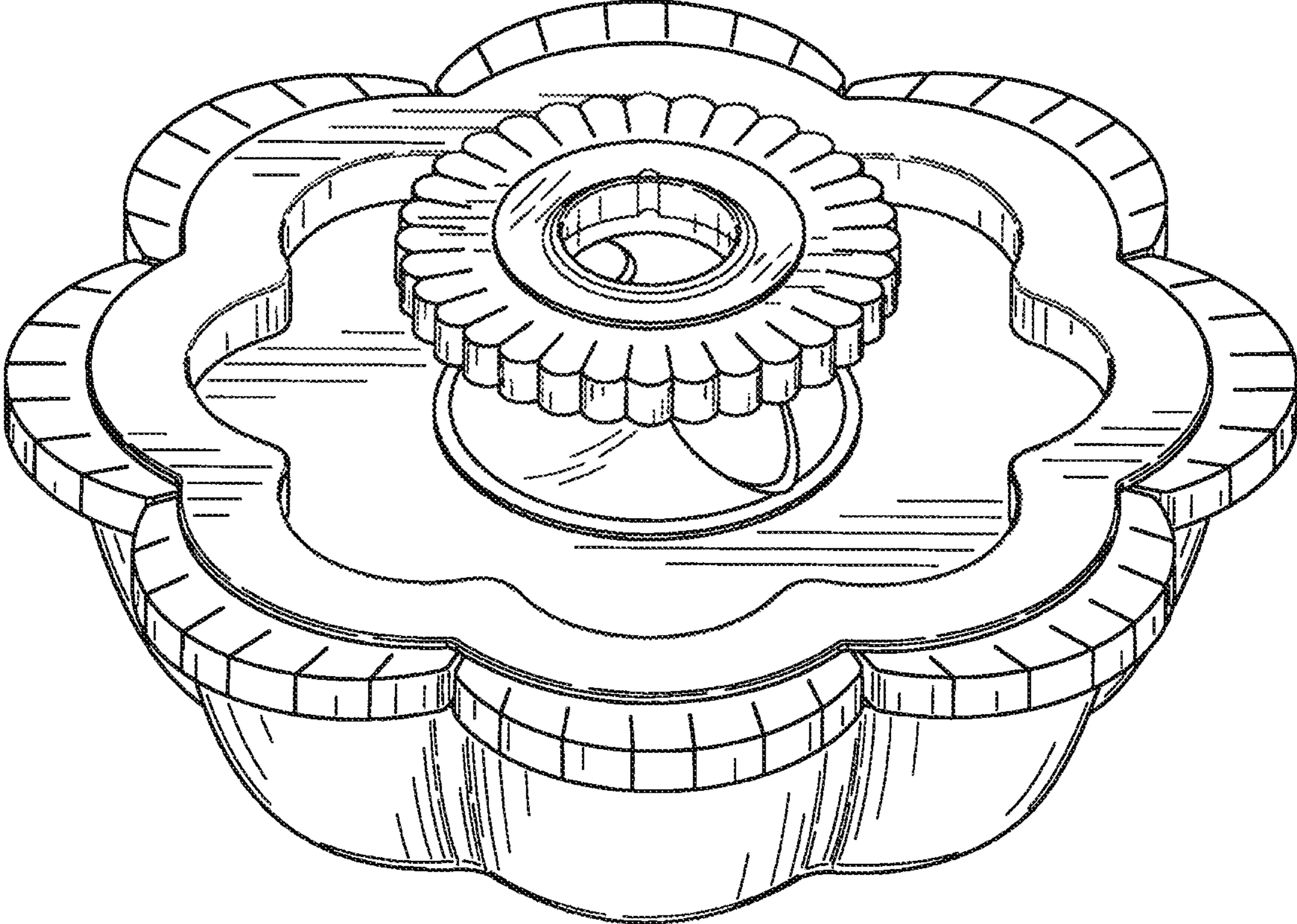


FIG. 1

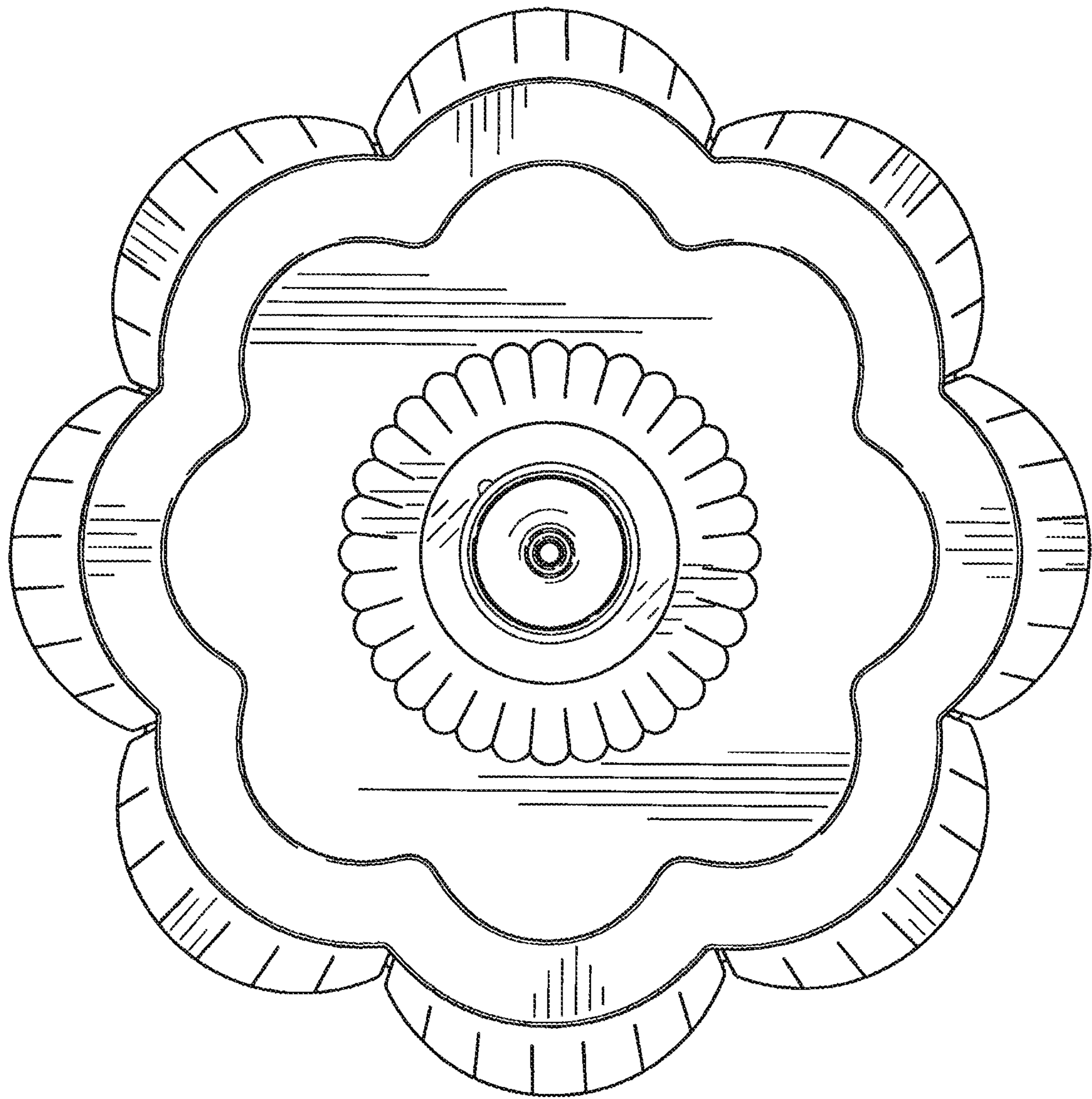


FIG. 2

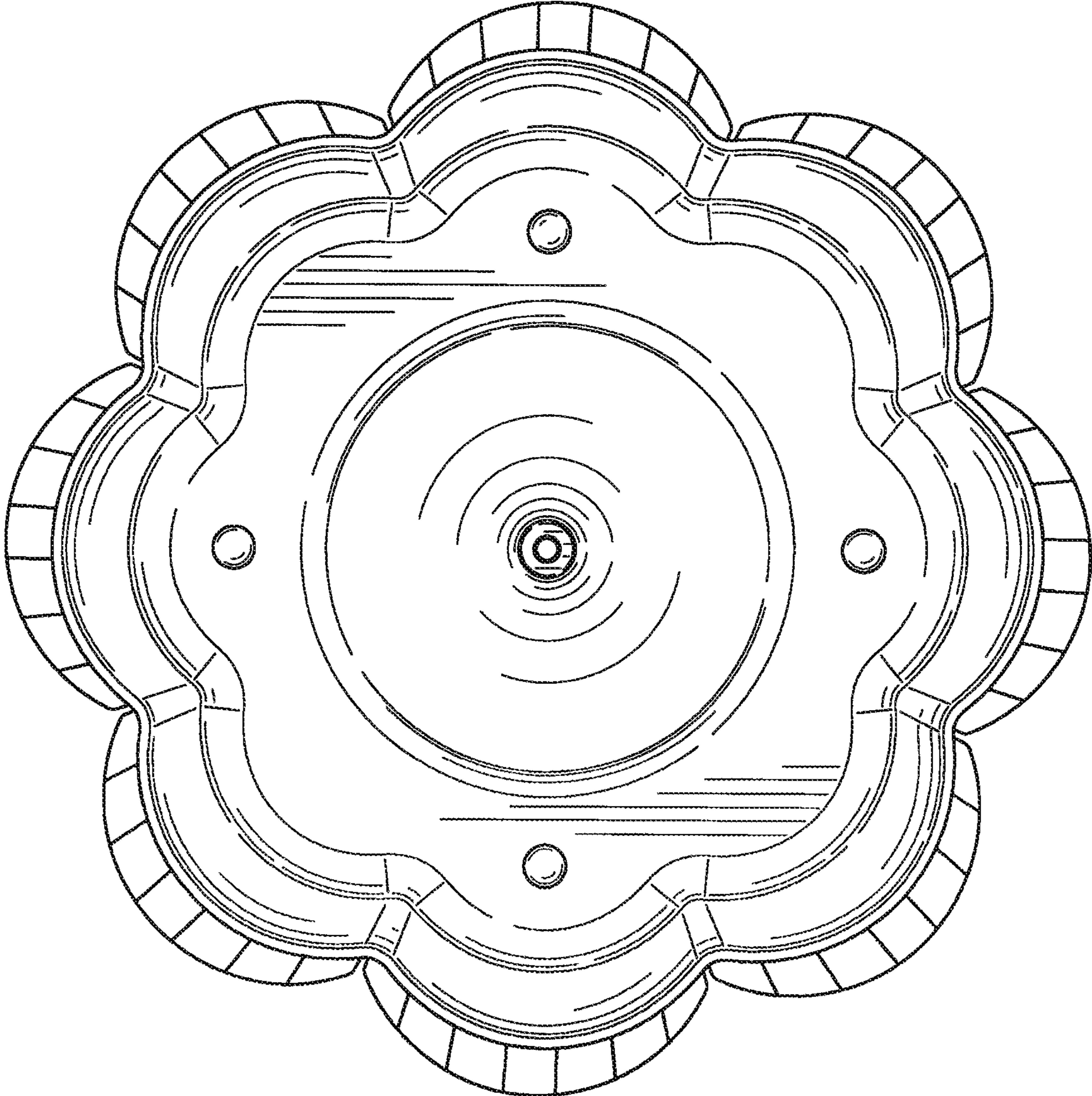


FIG. 3

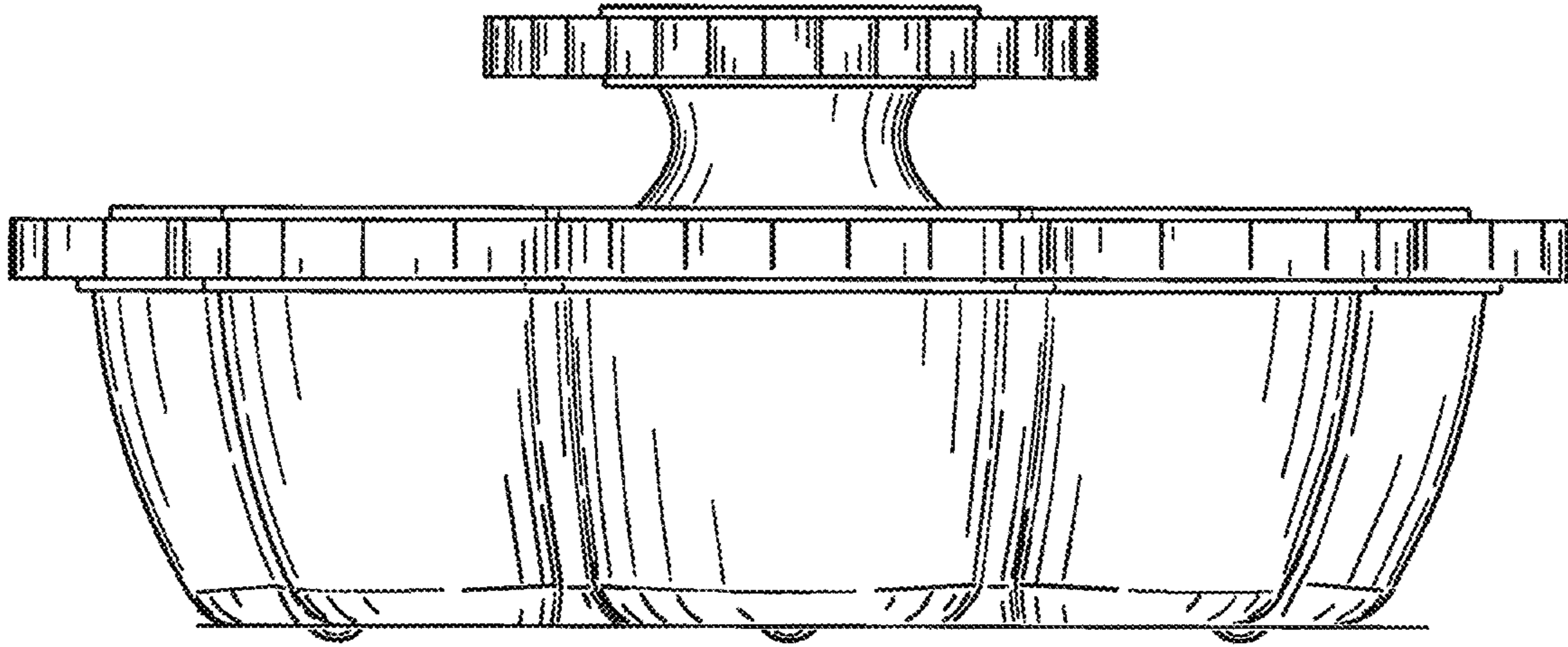


FIG. 4

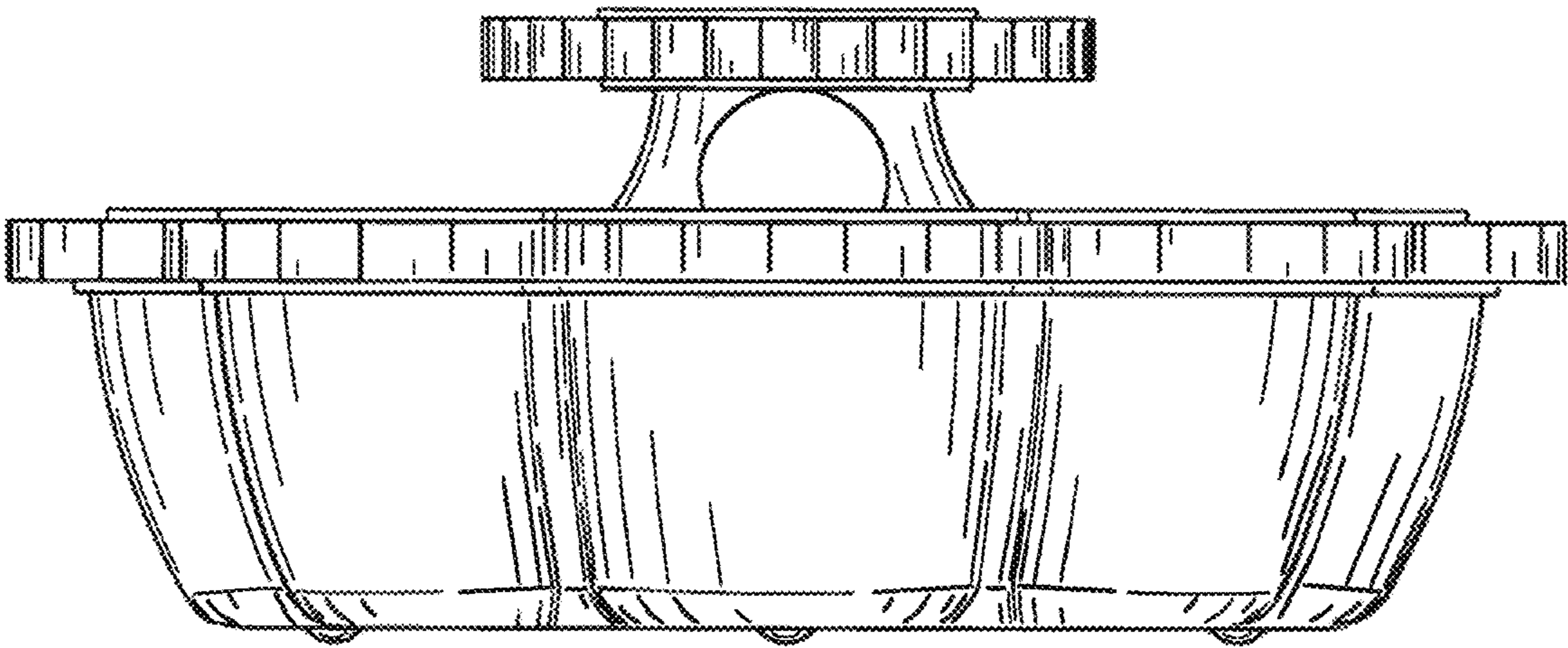


FIG. 5