



US00D895690S

(12) **United States Design Patent** (10) **Patent No.:** **US D895,690 S**
Walker (45) **Date of Patent:** **** Sep. 8, 2020**

(54) **LOOM APPARATUS**
(71) Applicant: **JewelKit, LLC**, Fort Collins, CO (US)
(72) Inventor: **Anita Walker**, Fort Collins, CO (US)
(73) Assignee: **JewelKit, LLC**, Fort Collins, CO (US)
(**) Term: **15 Years**
(21) Appl. No.: **29/672,105**
(22) Filed: **Dec. 3, 2018**
(51) **LOC (12) Cl.** **15-06**
(52) **U.S. Cl.**
USPC **D15/66**
(58) **Field of Classification Search**
USPC D15/66-78
CPC A44C 27/00-27/008; D03D 29/00; D03D
35/00-35/005; D03D 39/00-39/24; D03D
41/00-41/008; D03D 45/00
See application file for complete search history.

(56) **References Cited**
U.S. PATENT DOCUMENTS
410,678 A 9/1889 Kimball
2,043,082 A * 6/1936 Wallach D03D 29/00
28/151
2,094,505 A * 9/1937 Thackeray D03D 29/00
139/33
2,110,822 A * 3/1938 Roberts D03D 29/00
139/33
2,126,271 A 8/1938 Moran
2,136,552 A * 11/1938 Le Page D03D 29/00
28/152

(Continued)

OTHER PUBLICATIONS

Endless Loom by Fusion Beads downloaded Nov. 2, 2017, 2 pages.
Etsy: DIY Jewelry Making Tool: Deluxe Loom for Leather Bead
Wrap Bracelets! downloaded Nov. 2, 2017, 4 pages.

Primary Examiner — Mitchell I. Siegel
(74) *Attorney, Agent, or Firm* — Santangelo Law Offices,
P.C.

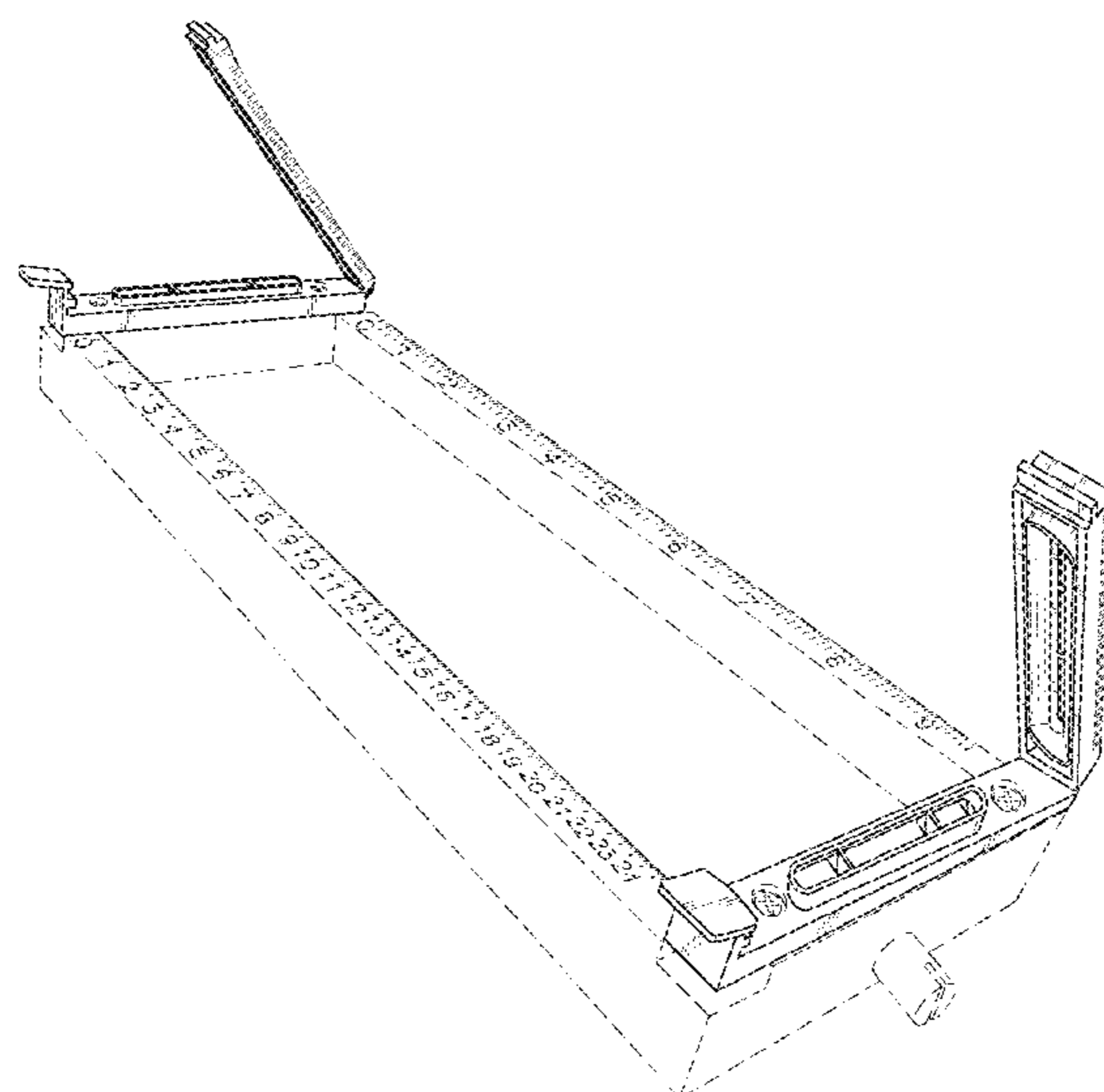
(57) **CLAIM**

The ornamental design for a loom apparatus, as shown and described.

DESCRIPTION

FIG. 1 is a top perspective view of a loom apparatus showing my new design;
FIG. 2 is a top view of a loom apparatus showing my new design;
FIG. 3 is a bottom view of a loom apparatus showing my new design;
FIG. 4 is a side view of a loom apparatus showing my new design;
FIG. 5 is an opposite side view of a loom apparatus showing my new design;
FIG. 6 is a front view of a loom apparatus showing my new design;
FIG. 7 is a back view of a loom apparatus showing my new design;
FIG. 8 is a top perspective view of a second embodiment of the loom apparatus showing my new design;
FIG. 9 is a top view of the loom apparatus of FIG. 8 showing my new design;
FIG. 10 is a bottom view of the loom apparatus of FIG. 8 showing my new design;
FIG. 11 is a side view of the loom apparatus of FIG. 8 showing my new design;
FIG. 12 is an opposite side view of the loom apparatus of FIG. 8 showing my new design;
FIG. 13 is a front view of the loom apparatus of FIG. 8 showing my new design; and,
FIG. 14 is a back view of the loom apparatus of FIG. 8 showing my new design.
Any dashed/broken lines presented in the figures form no part of the claimed design.

1 Claim, 14 Drawing Sheets



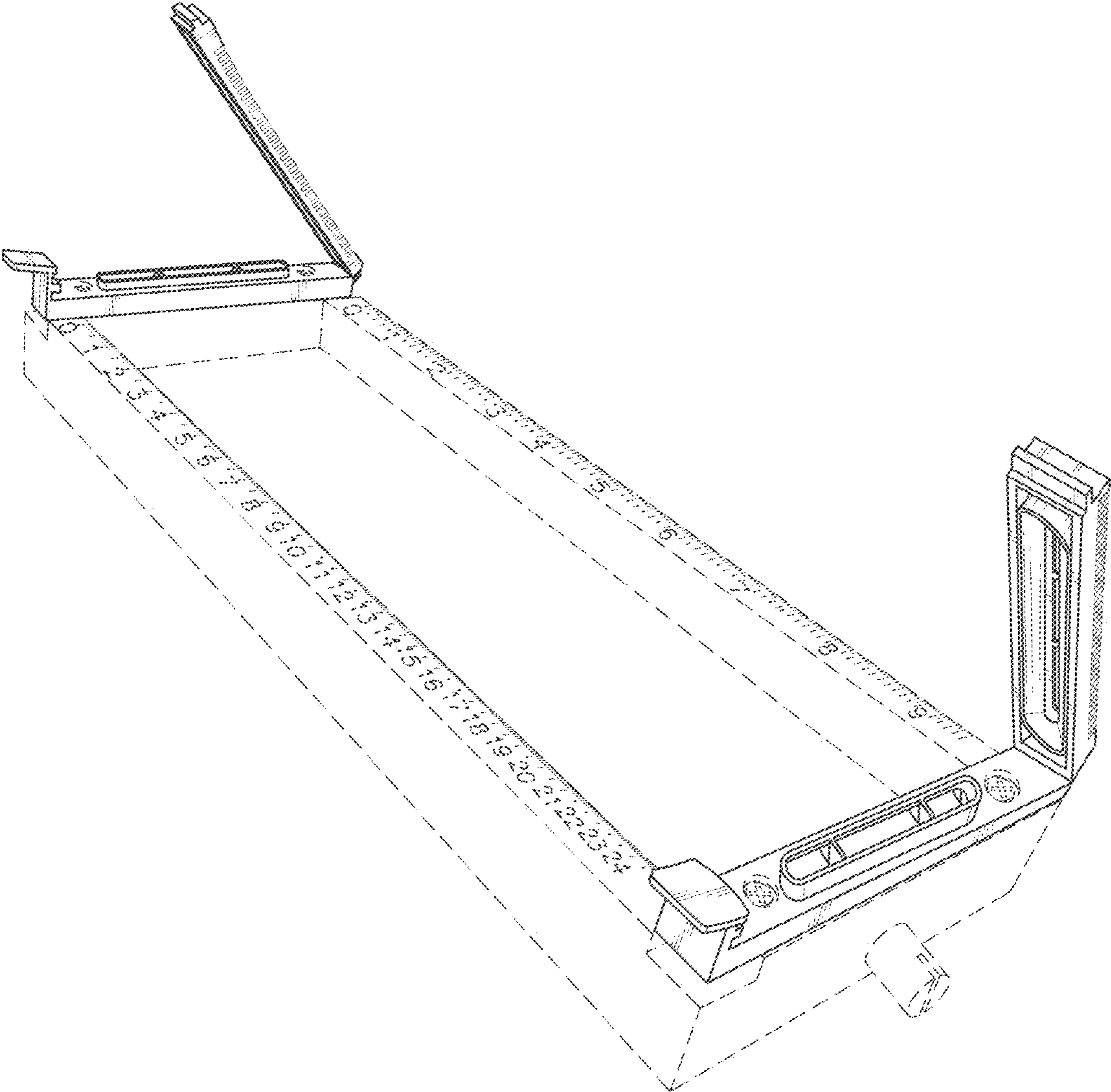


Fig. 1

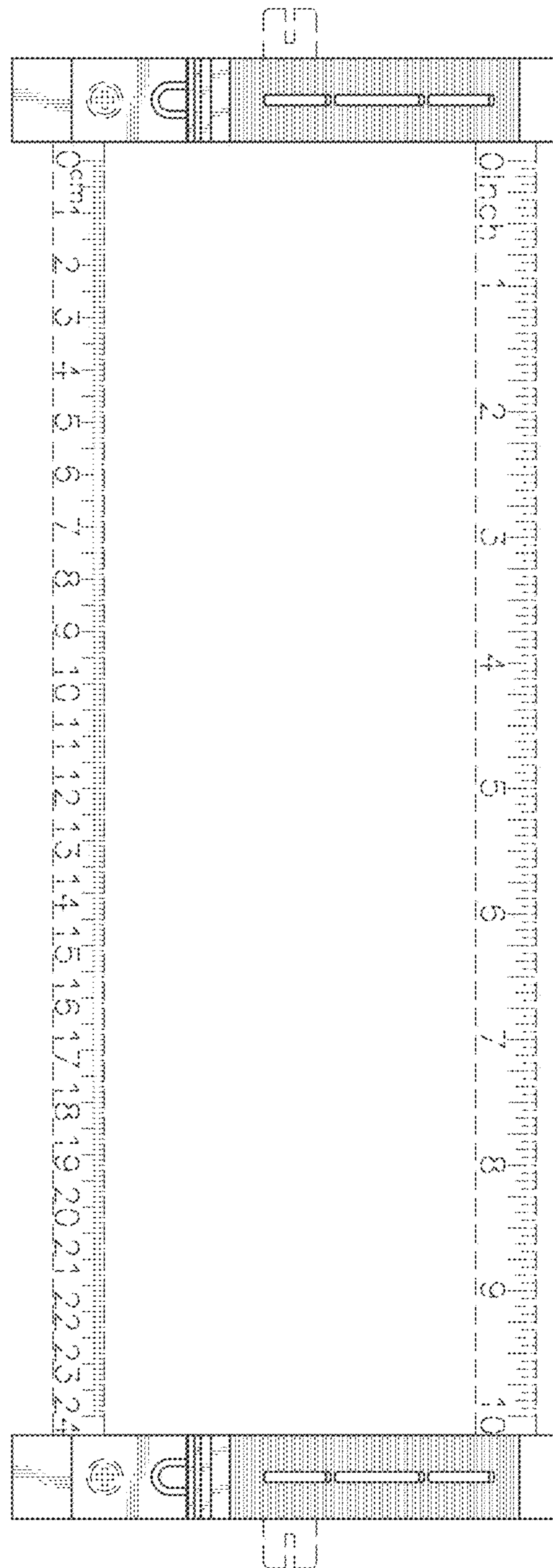


Fig. 2

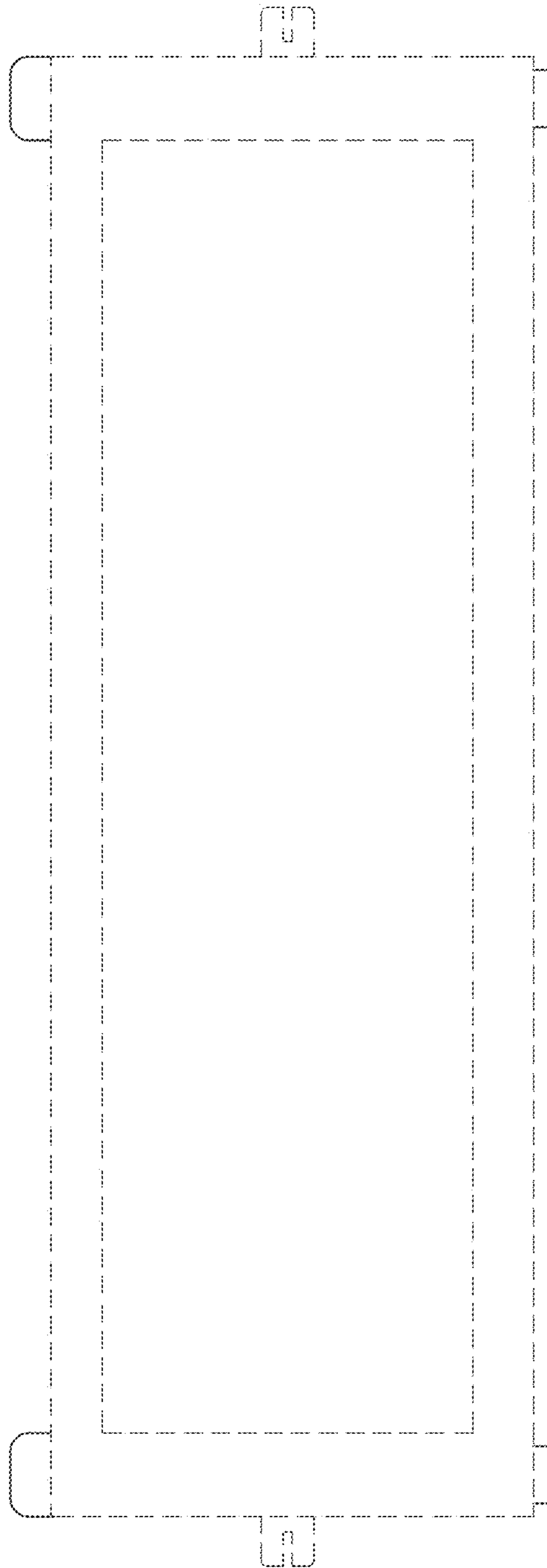


Fig. 3

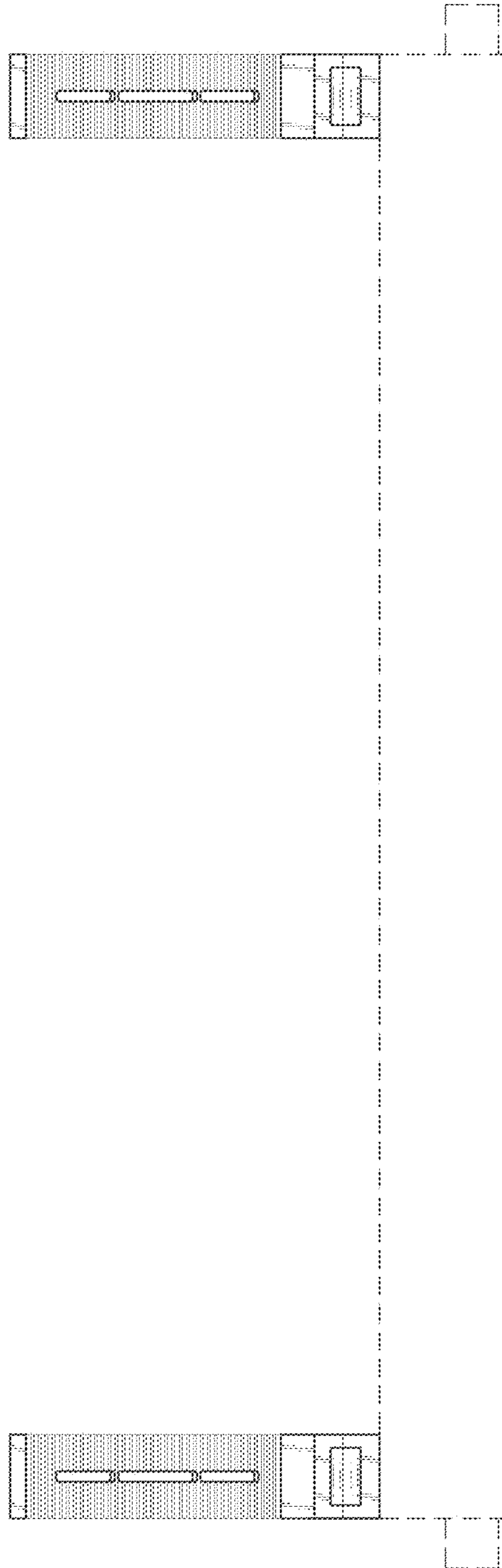


Fig. 4

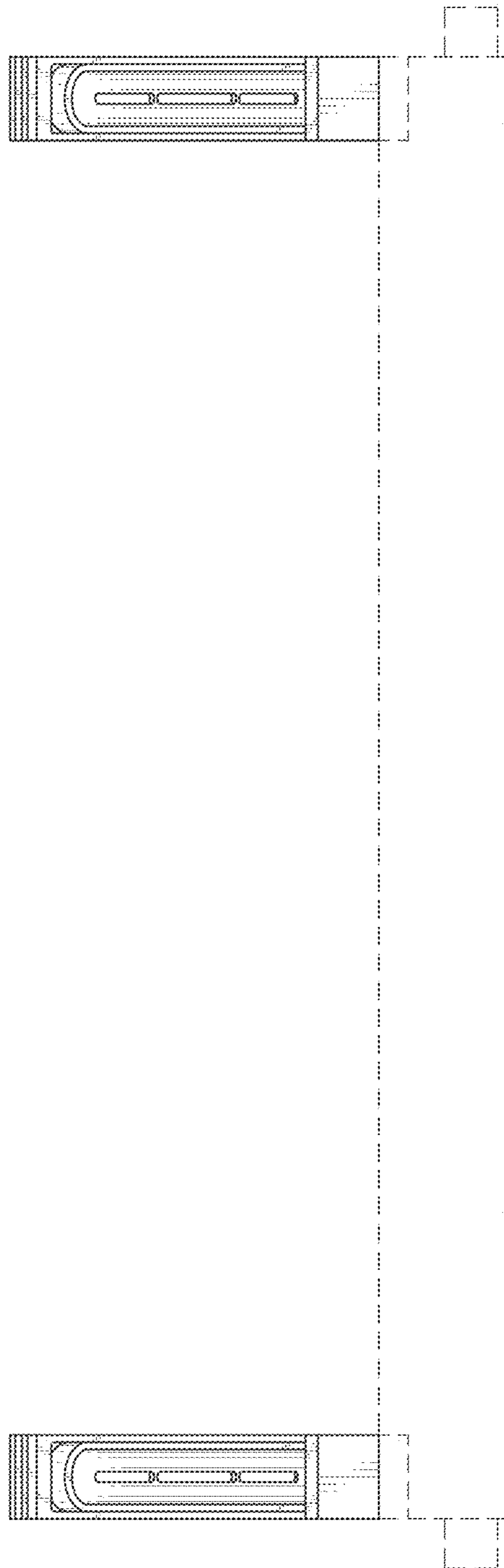


Fig. 5

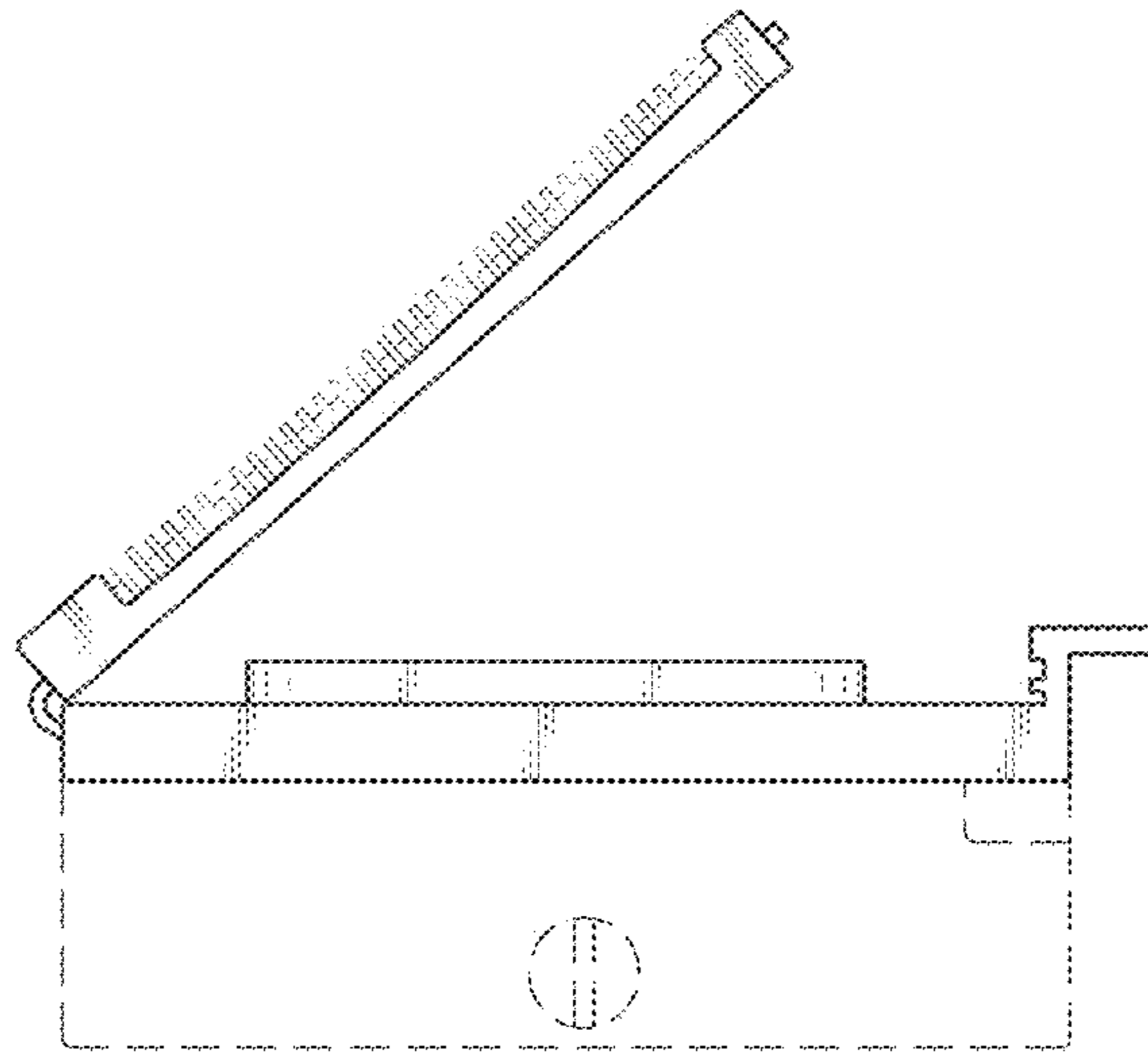


Fig. 6

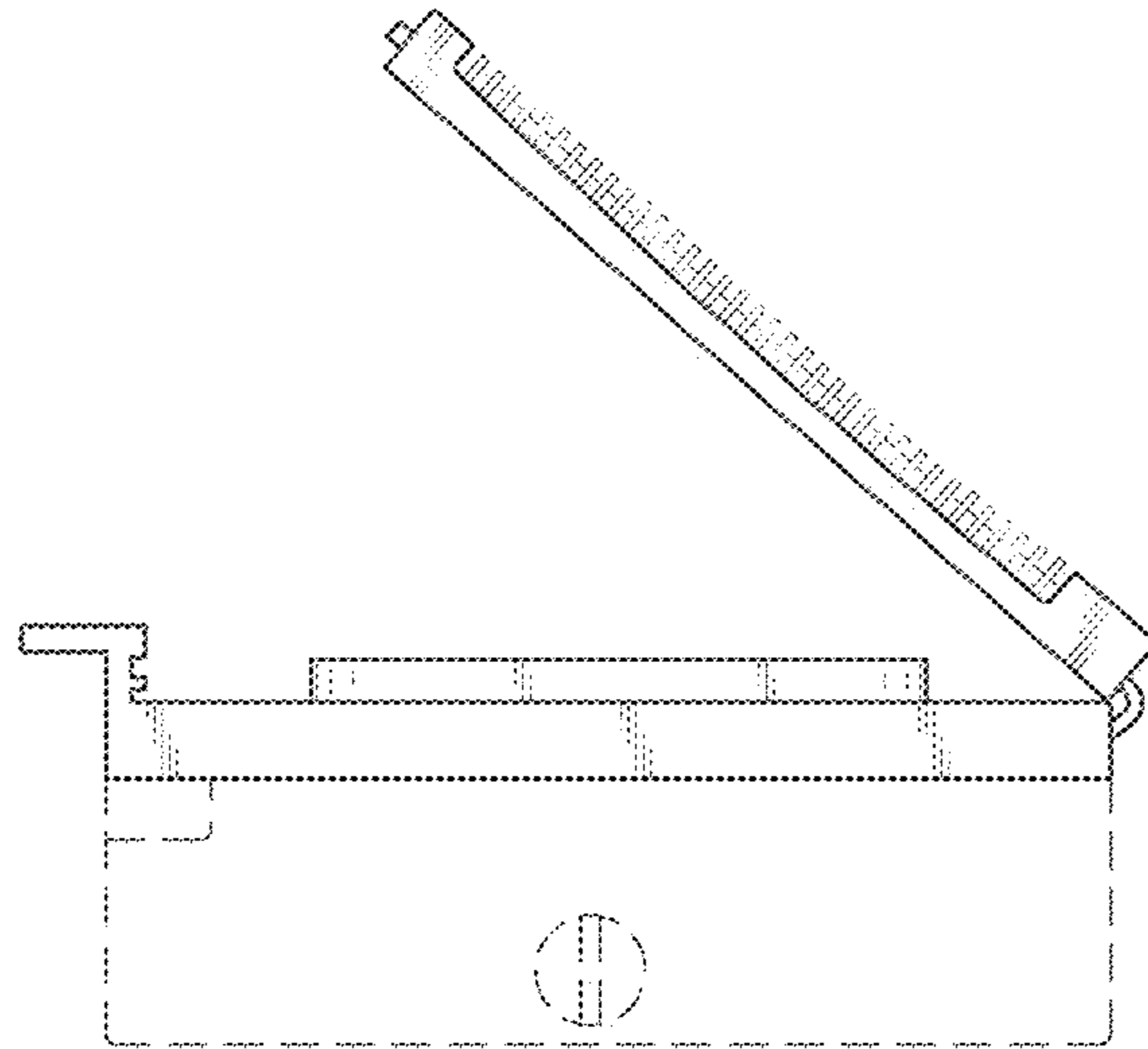


Fig. 7

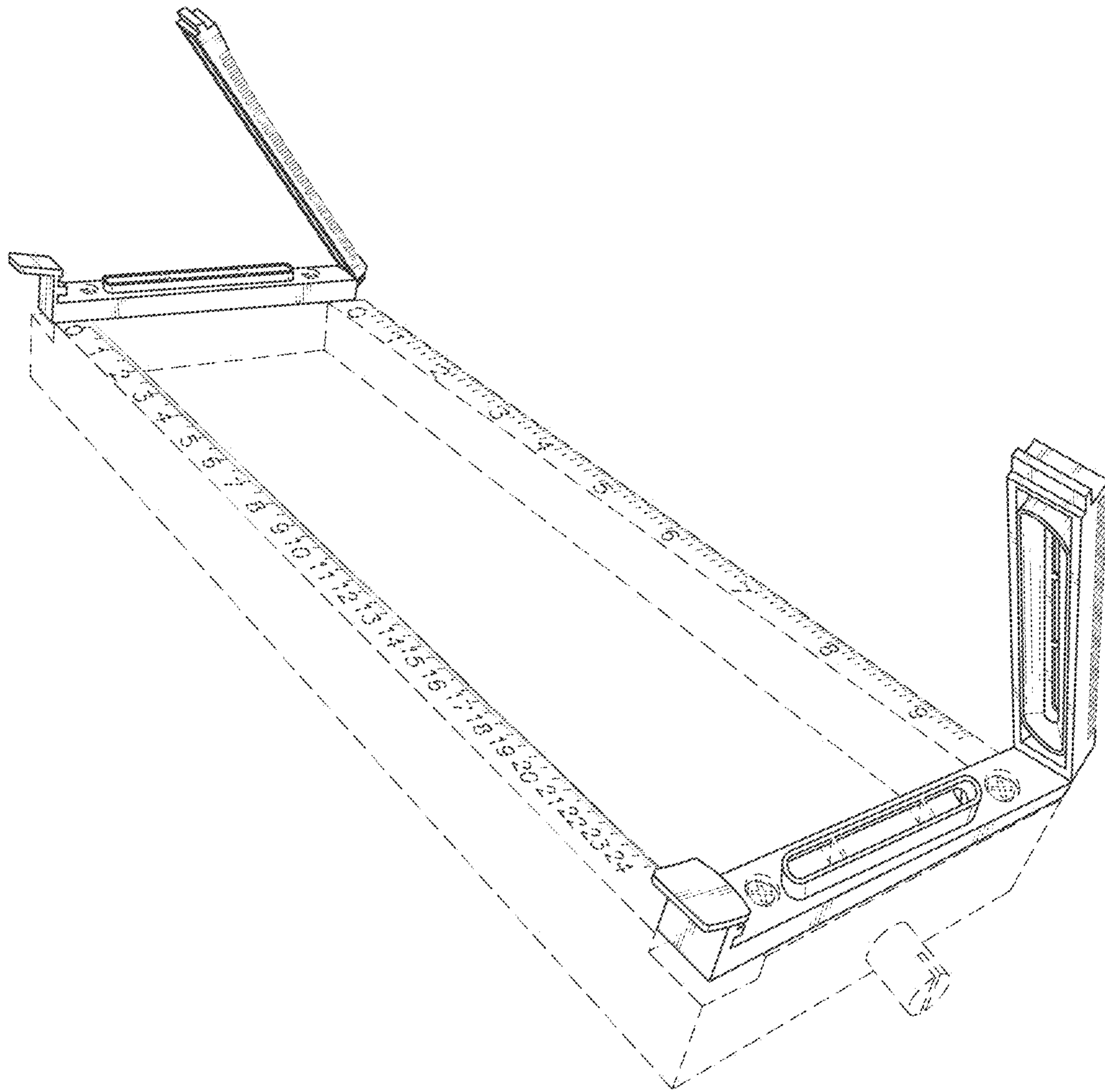


Fig. 8

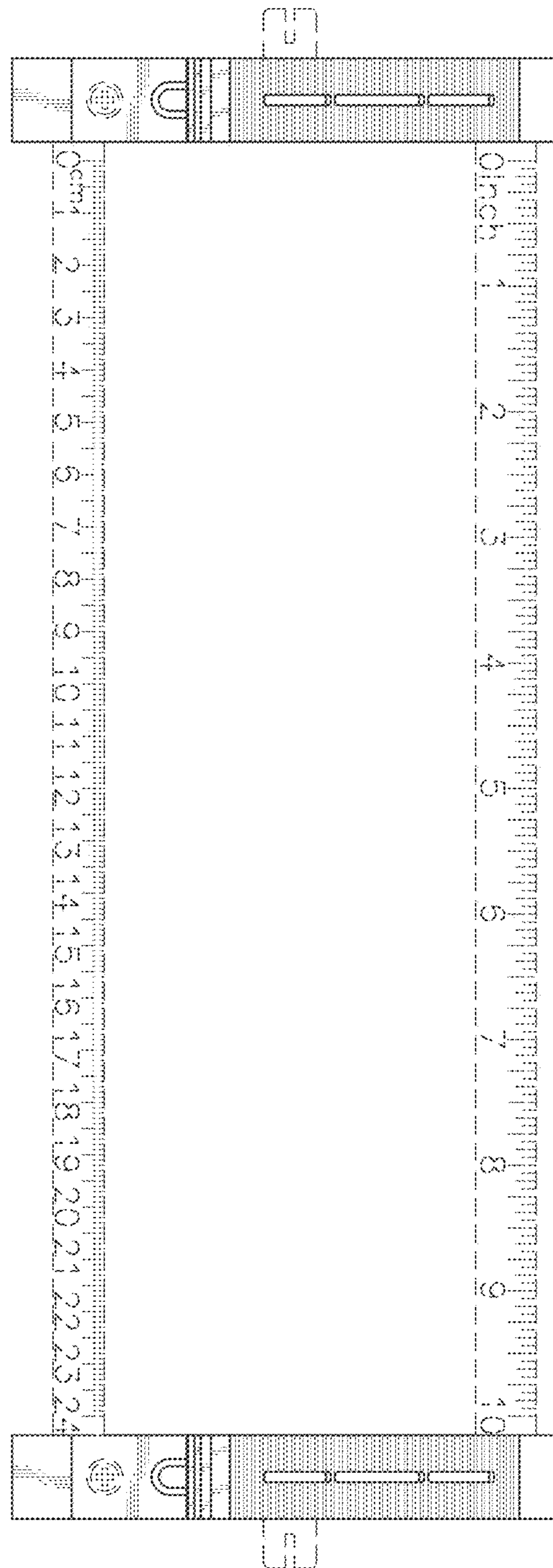


Fig. 9

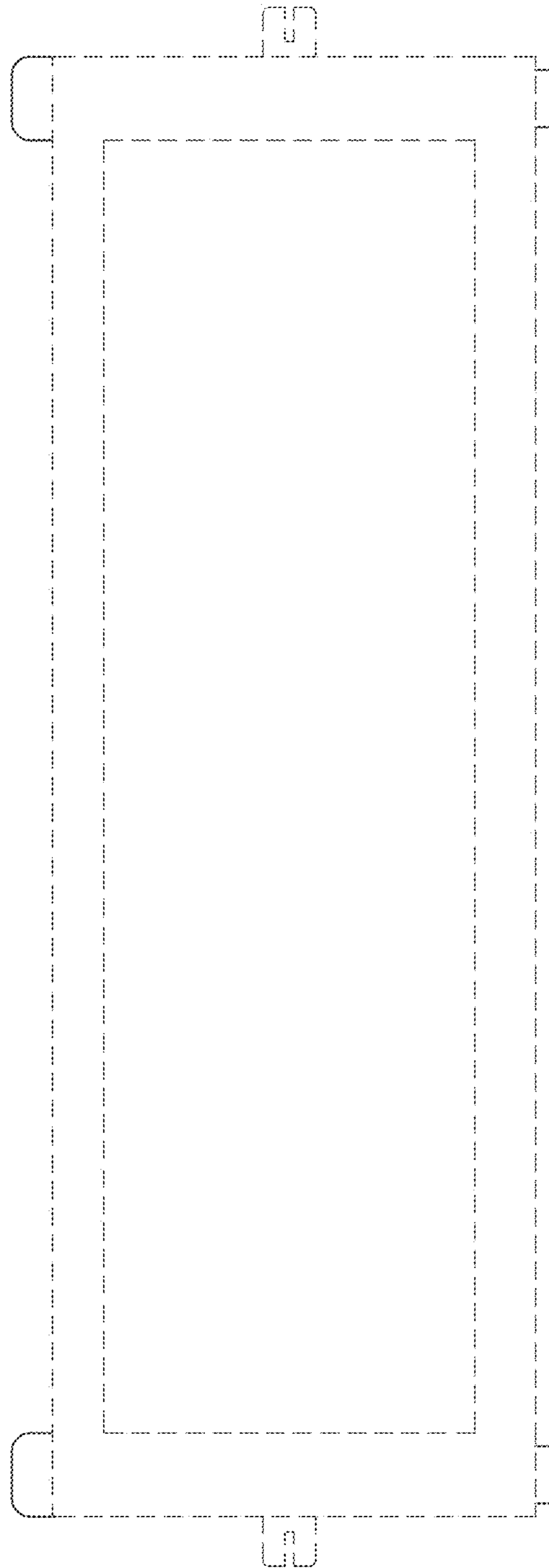


Fig. 10

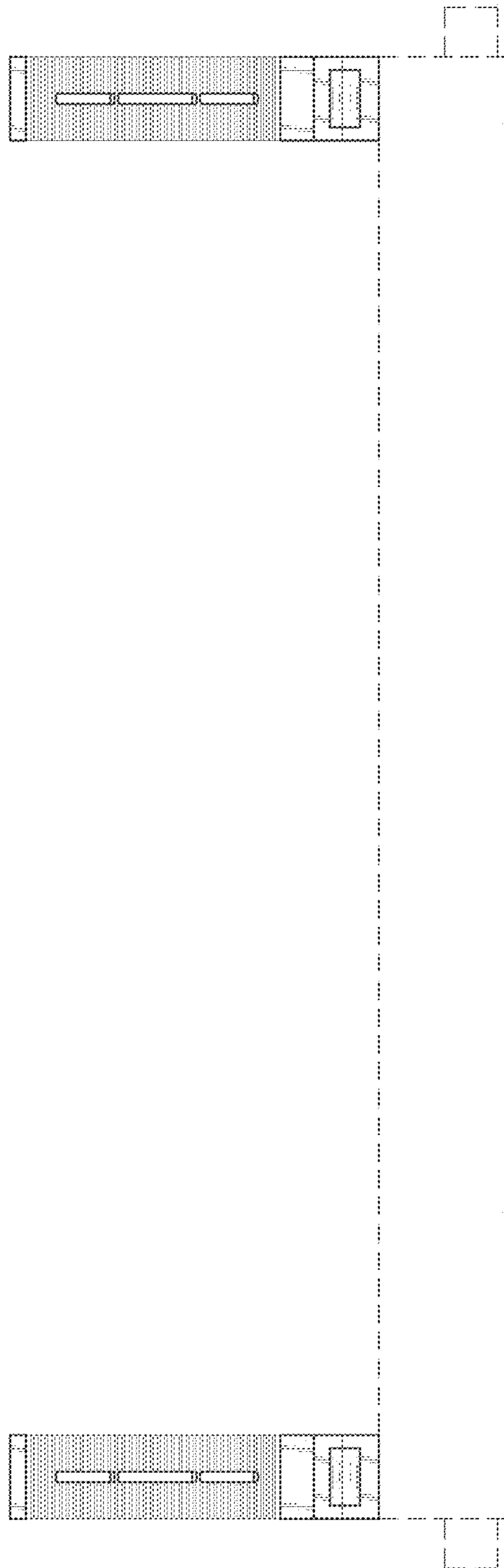


Fig. 11

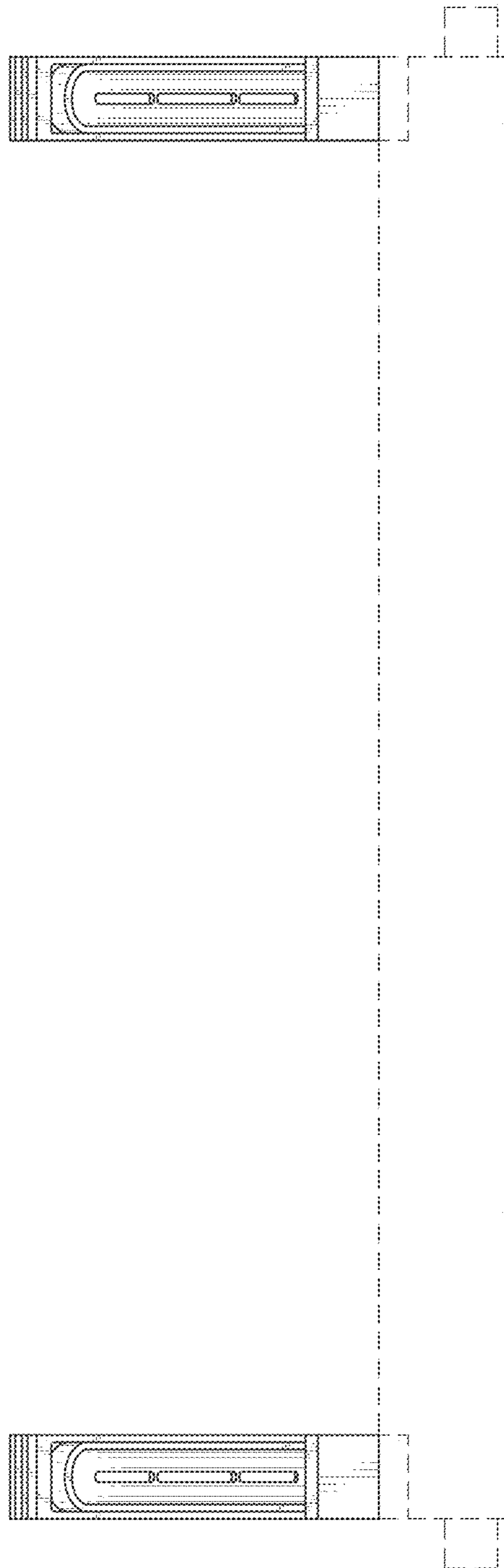


Fig. 12

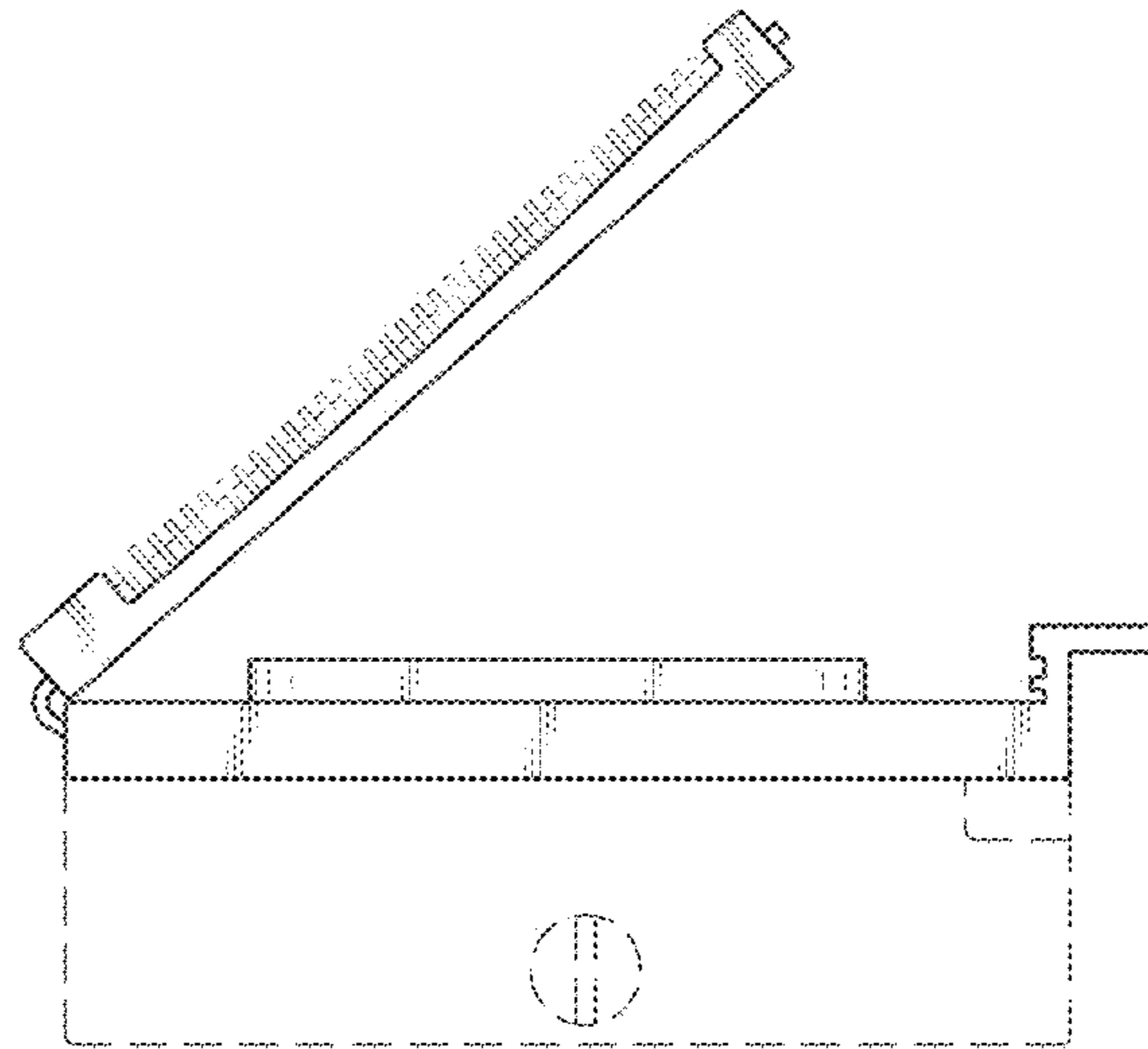


Fig. 13

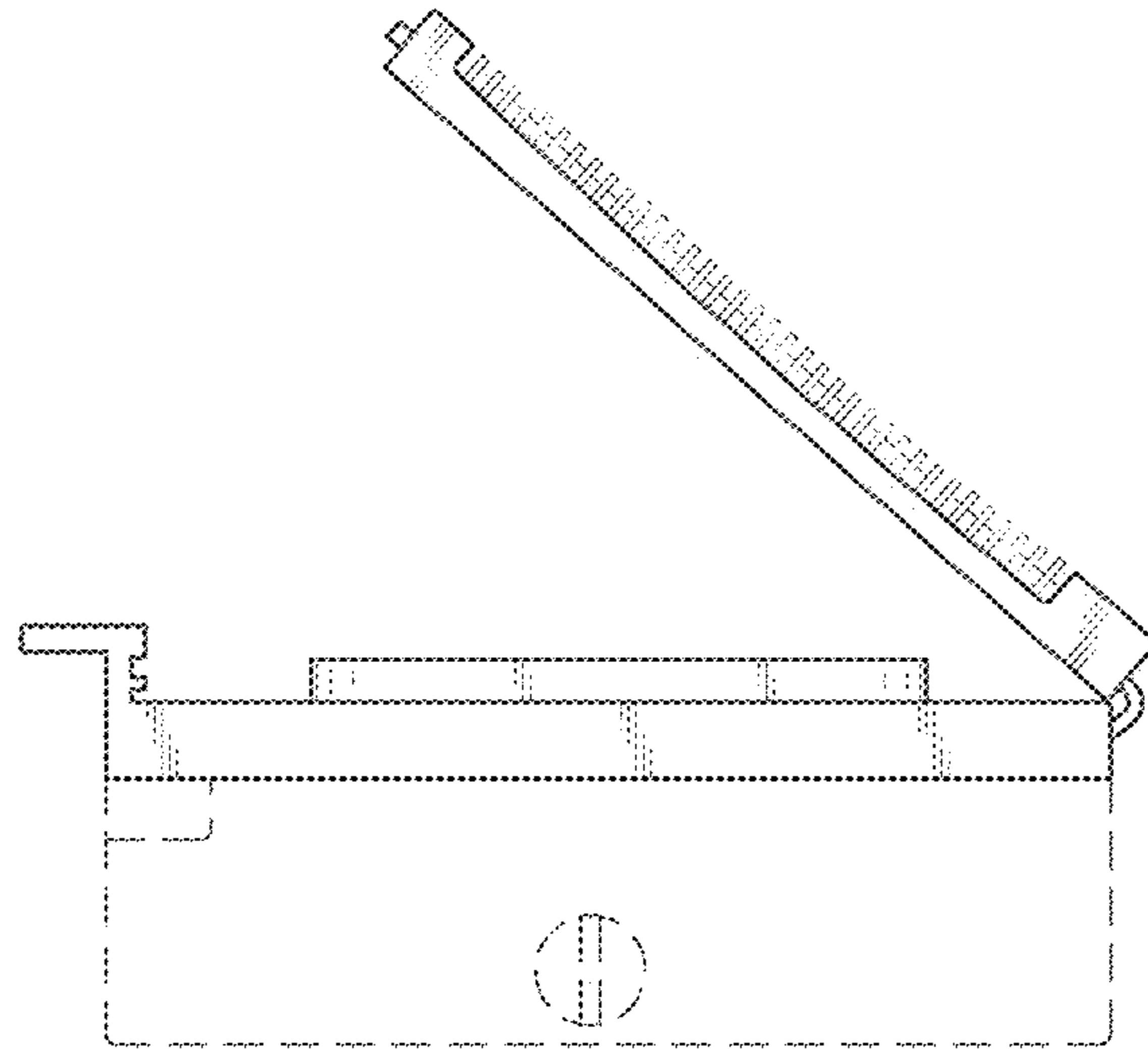


Fig. 14