



US00D895689S

(12) **United States Design Patent**
Holst

(10) **Patent No.:** **US D895,689 S**

(45) **Date of Patent:** **** Sep. 8, 2020**

(54) **LIQUID CROP INPUT CONTAINER**

(71) Applicant: **360 YIELD CENTER, LLC**, Morton,
IL (US)

(72) Inventor: **Brady Holst**, Tremont, IL (US)

(73) Assignee: **360 YIELD CENTER, LLC**, Morton,
IL (US)

(**) Term: **15 Years**

(21) Appl. No.: **29/614,535**

(22) Filed: **Aug. 21, 2017**

(51) **LOC (12) Cl.** **15-03**

(52) **U.S. Cl.**
USPC **D15/28; D15/13; D15/17**

(58) **Field of Classification Search**
USPC **D15/10, 11, 13, 17, 21, 27, 28**
CPC ... **A01C 23/008; A01M 7/0085; B62D 49/065**
See application file for complete search history.

(56) **References Cited**

U.S. PATENT DOCUMENTS

D257,979 S *	1/1981	Clark	D15/13
D307,591 S *	5/1990	Ridgeon	D15/13
D333,476 S *	2/1993	Gingrich	D15/13
5,232,054 A *	8/1993	Van Blaricon	A01B 73/065 172/311
5,251,704 A *	10/1993	Bourgault	A01B 49/04 172/247
5,402,945 A *	4/1995	Swanson, Jr.	B05B 5/03 239/166
5,501,403 A *	3/1996	van Vooren	E01H 10/007 239/662
5,517,932 A *	5/1996	Ott	A01C 5/068 111/166
5,533,676 A *	7/1996	Conley	A01D 43/14 239/168

5,535,688 A *	7/1996	Kaufman	A01B 73/067 111/52
5,609,417 A *	3/1997	Otte	B01F 5/0256 366/137
D386,190 S *	11/1997	Burch	D15/28

(Continued)

OTHER PUBLICATIONS

Partial Supplementary European Search Report for European Patent Application No. 15811981.8 dated Nov. 20, 2017, 7 pages.

Primary Examiner — Mark A Goodwin

(74) *Attorney, Agent, or Firm* — Klintworth & Rozenblat IP LLP

(57) **CLAIM**

I claim the ornamental design for a liquid crop input container, as shown and described.

DESCRIPTION

FIG. 1 is a perspective view of a liquid crop input container. FIG. 2 is another perspective view of the container shown in FIG. 1.

FIG. 3 is a first side elevational view of the container shown in FIG. 1.

FIG. 4 is a second side elevational view of the container shown in FIG. 1.

FIG. 5 is a first end elevational view of the container shown in FIG. 1.

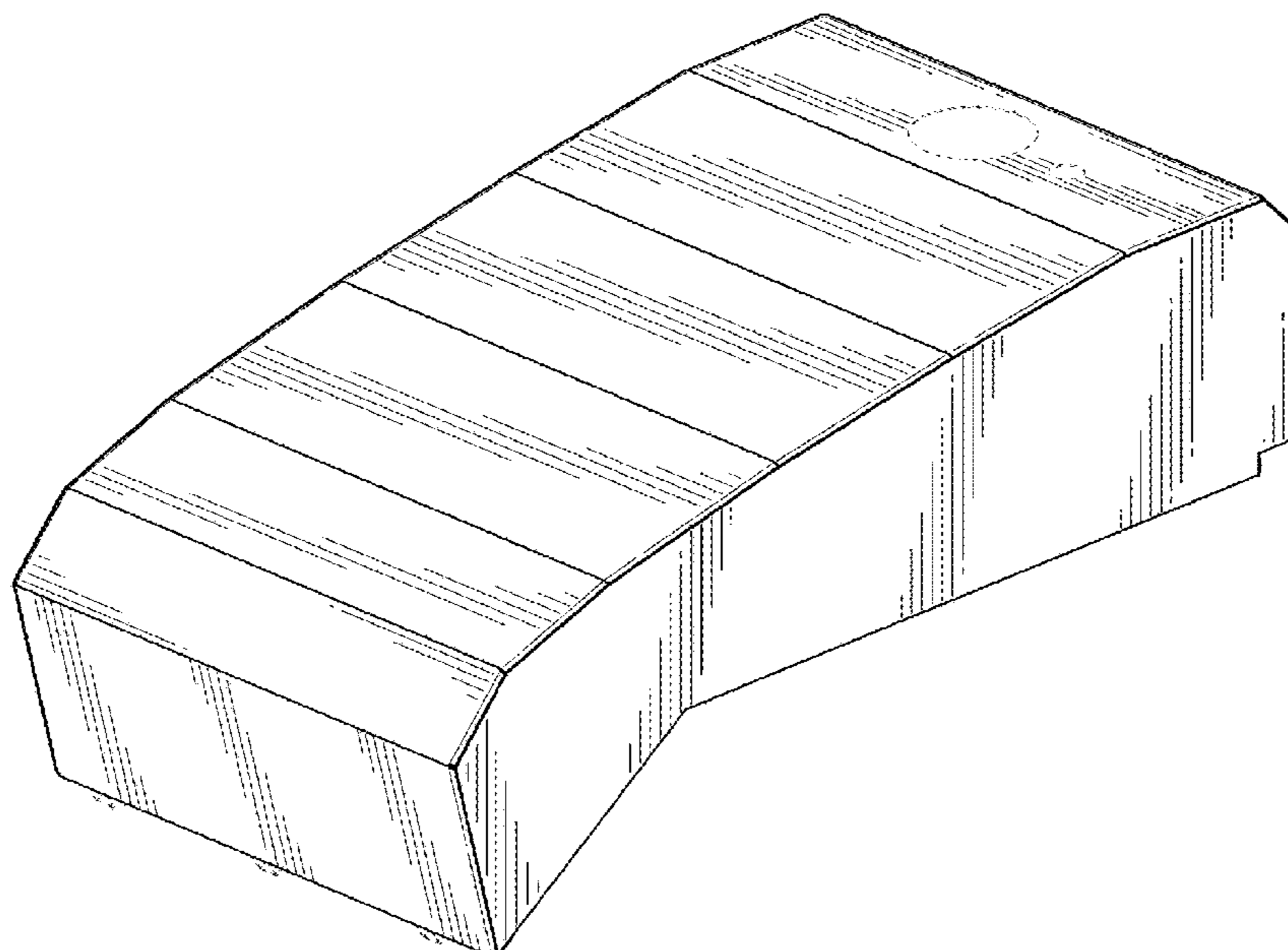
FIG. 6 is a second end elevational view of the container shown in FIG. 1.

FIG. 7 is a first plan view of the container shown in FIG. 1; and,

FIG. 8 is a second plan view of the container shown in FIG. 1.

Portions of the liquid crop input container and any exemplary environment shown in broken lines are for illustrative purposes only and form no part of the claimed design.

1 Claim, 6 Drawing Sheets



(56)

References Cited

U.S. PATENT DOCUMENTS

5,778,648	A *	7/1998	Parkes	A01D 43/077	56/13.3				
5,836,363	A *	11/1998	LaFleur	B65D 90/046	141/314				
D407,419	S *	3/1999	Burch	D15/28					
6,840,464	B2 *	1/2005	Engelbrecht	B05B 1/265	239/461				
6,994,274	B2 *	2/2006	Thompson	B60P 3/30	239/146				
D523,447	S *	6/2006	Dixon	D15/13					
D647,166	S *	10/2011	Kimball	D23/202					
D647,168	S *	10/2011	Lerner	D23/202					
D647,169	S *	10/2011	Leonard	D23/202					
D655,372	S *	3/2012	Kimball	D23/202					
8,132,741	B2 *	3/2012	Tremblay, Jr.	A01M 7/0064	239/127				
D663,325	S *	7/2012	Thunstrom	D15/13					
D669,099	S *	10/2012	Ringer	D15/28					
D669,100	S *	10/2012	Ringer	D15/28					
D673,586	S *	1/2013	Truan	D15/13					
D673,587	S *	1/2013	Truan	D15/28					
D690,740	S *	10/2013	Gonzales	D15/28					
8,667,915	B2 *	3/2014	Kuebler	A01C 23/008	111/118				
D730,949	S *	6/2015	Thompson	D15/28					
D730,950	S *	6/2015	Wright	D15/28					
D730,951	S *	6/2015	Thompson	D15/28					
D741,376	S *	10/2015	Thompson	D15/28					
D742,429	S *	11/2015	Thompson	D15/28					
D755,253	S *	5/2016	Thompson	D15/28					
D759,786	S *	6/2016	Laber	D15/13					
D763,325	S *	8/2016	Thompson	D15/28					
D826,133	S *	8/2018	Loew	D12/218					
D837,720	S *	1/2019	Schwalbe	D12/218					
D837,835	S *	1/2019	Schwalbe	D15/28					
D837,836	S *	1/2019	Schwalbe	D15/28					
2003/0116644	A1 *	6/2003	Thompson	B60P 3/30	239/172				
2004/0069871	A1 *	4/2004	Engelbrecht	A01M 7/0085	239/524				
2006/0074560	A1	4/2006	Dyer							
2012/0032005	A1 *	2/2012	McMahon	A01C 23/021	239/722				
2012/0101861	A1	4/2012	Lindores							
2013/0185104	A1	7/2013	Klavins							
2014/0089045	A1	3/2014	Johnson							

* cited by examiner

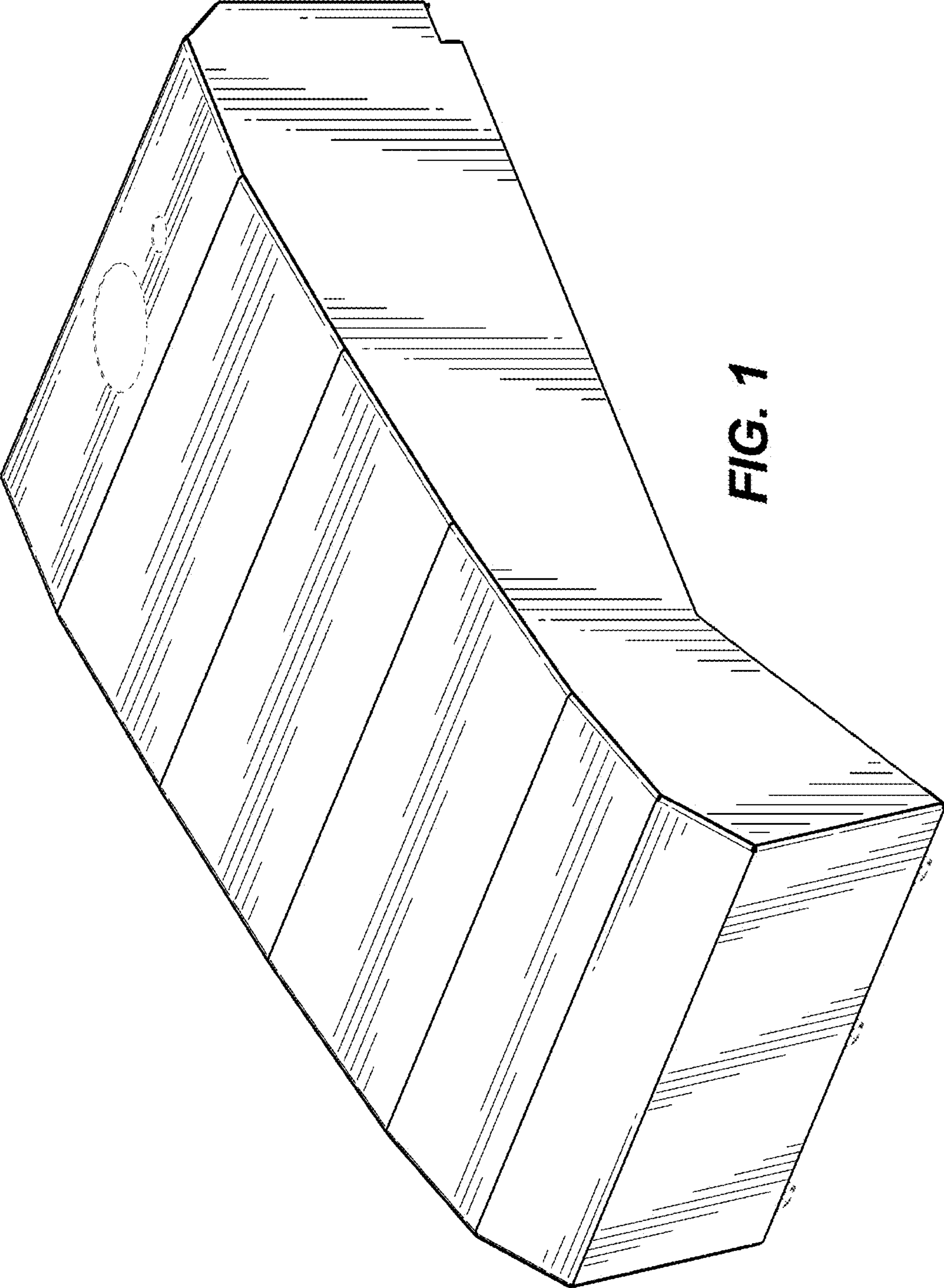


FIG. 1

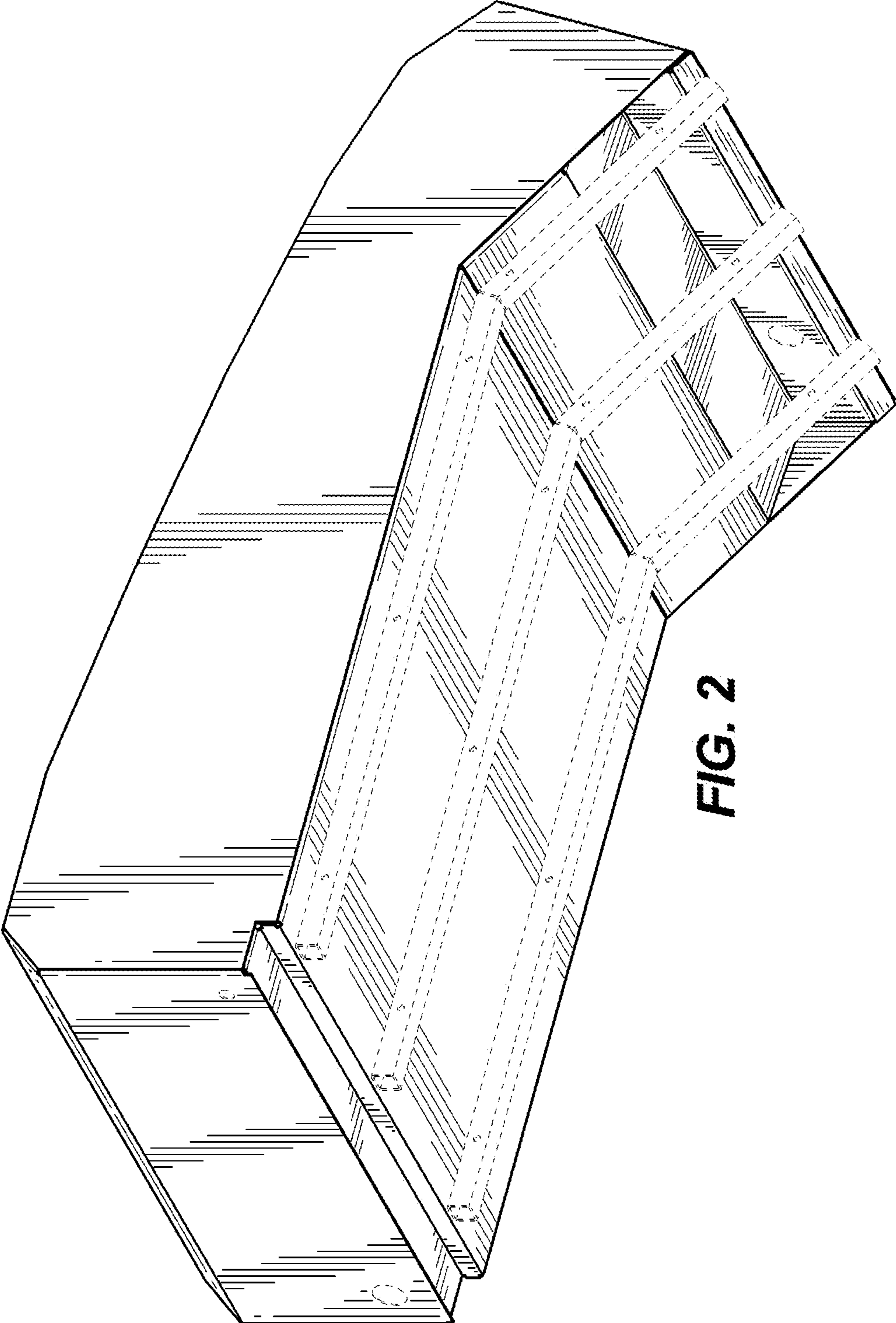
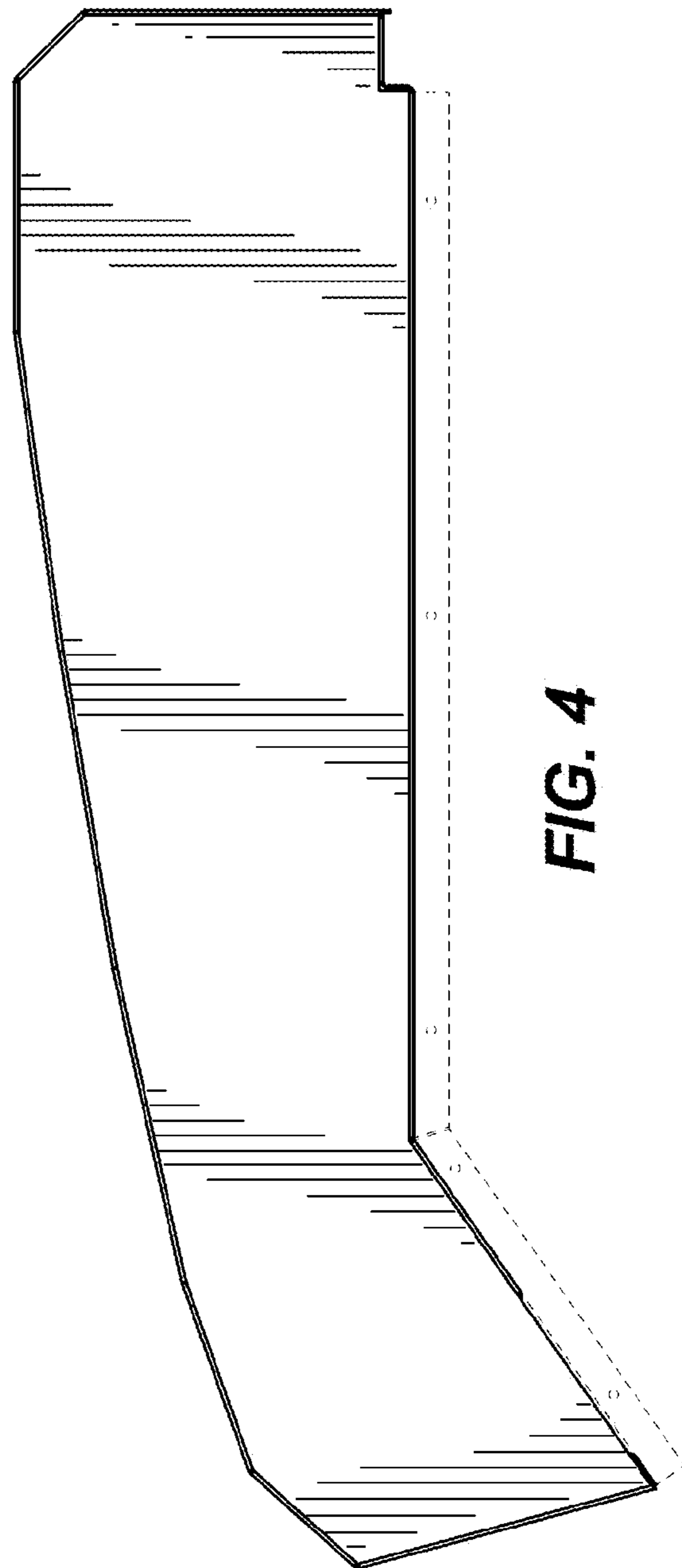
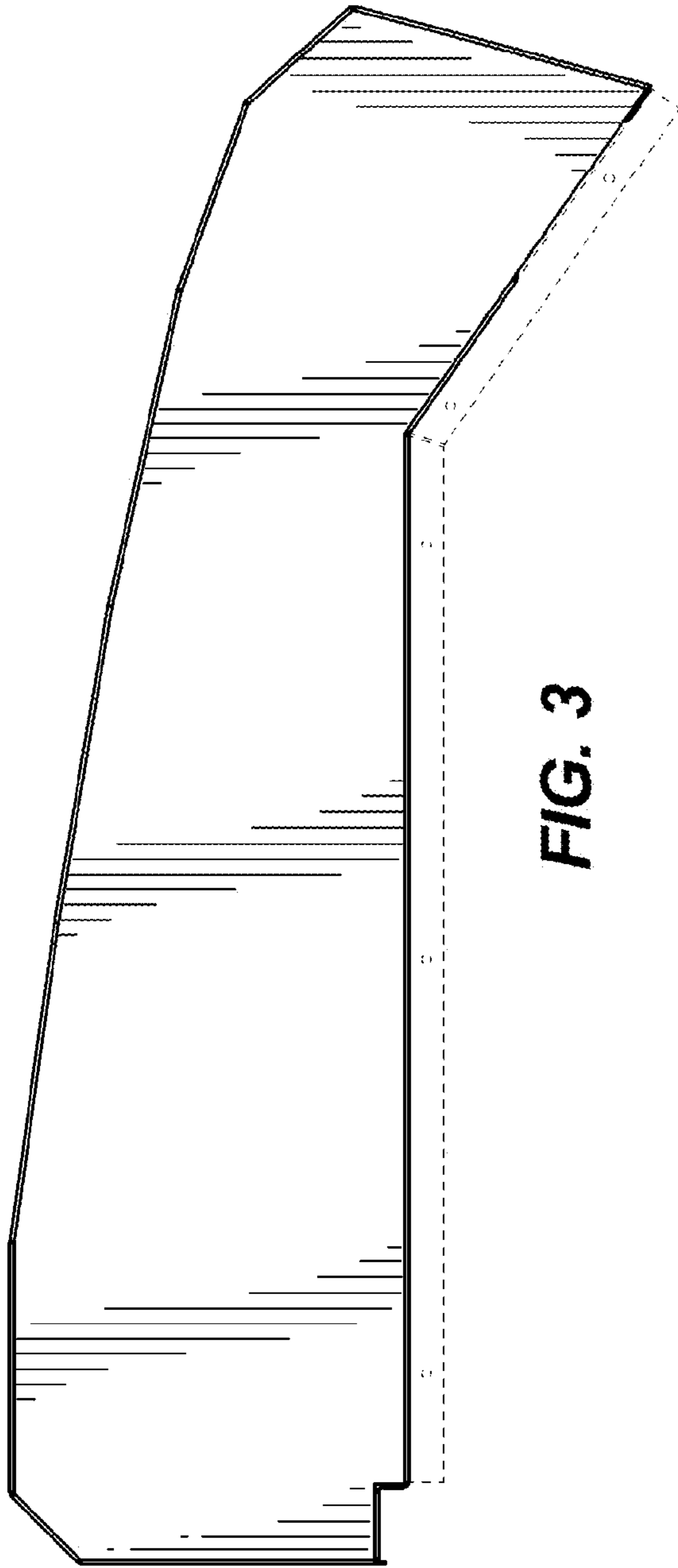


FIG. 2



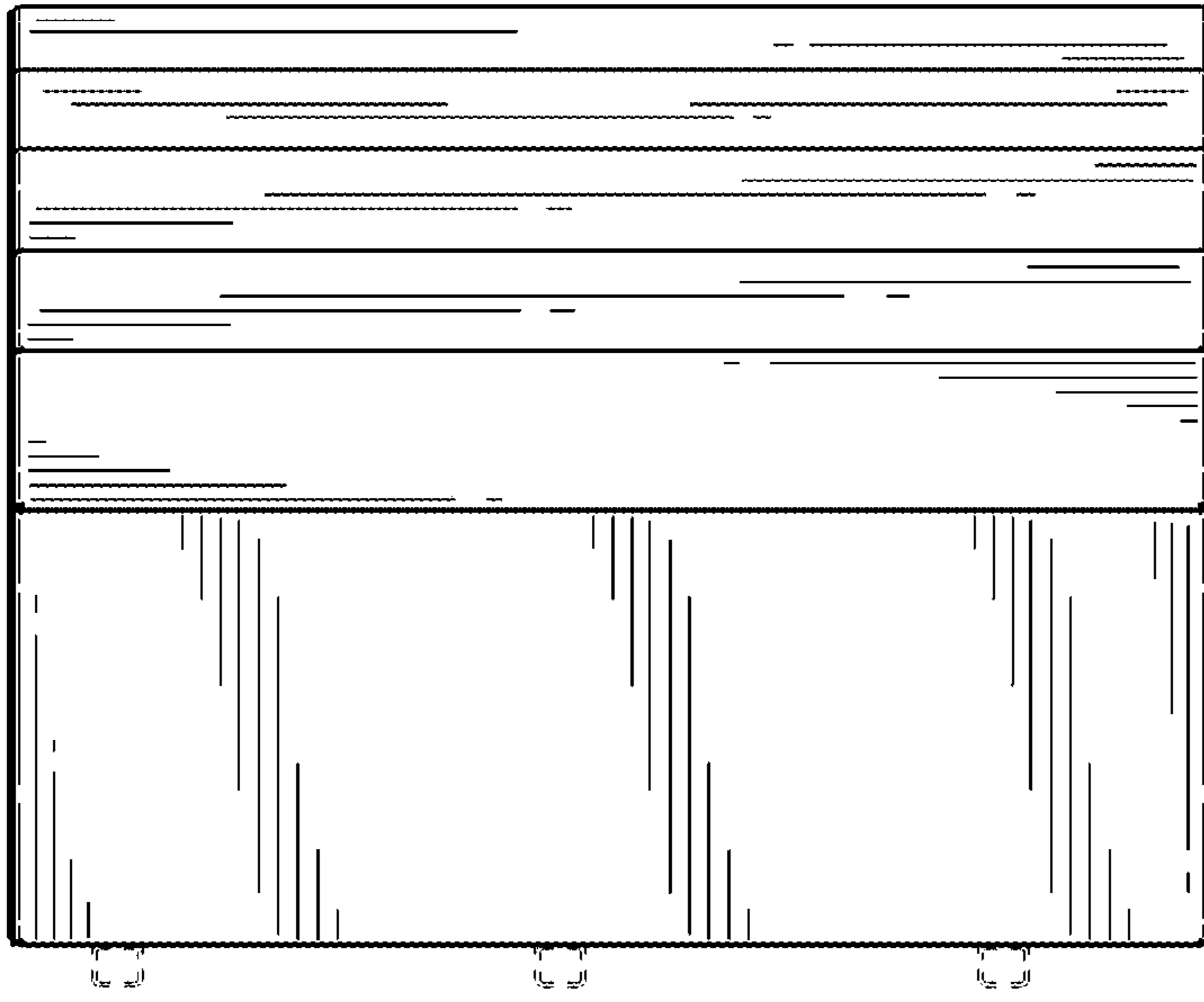


FIG. 5

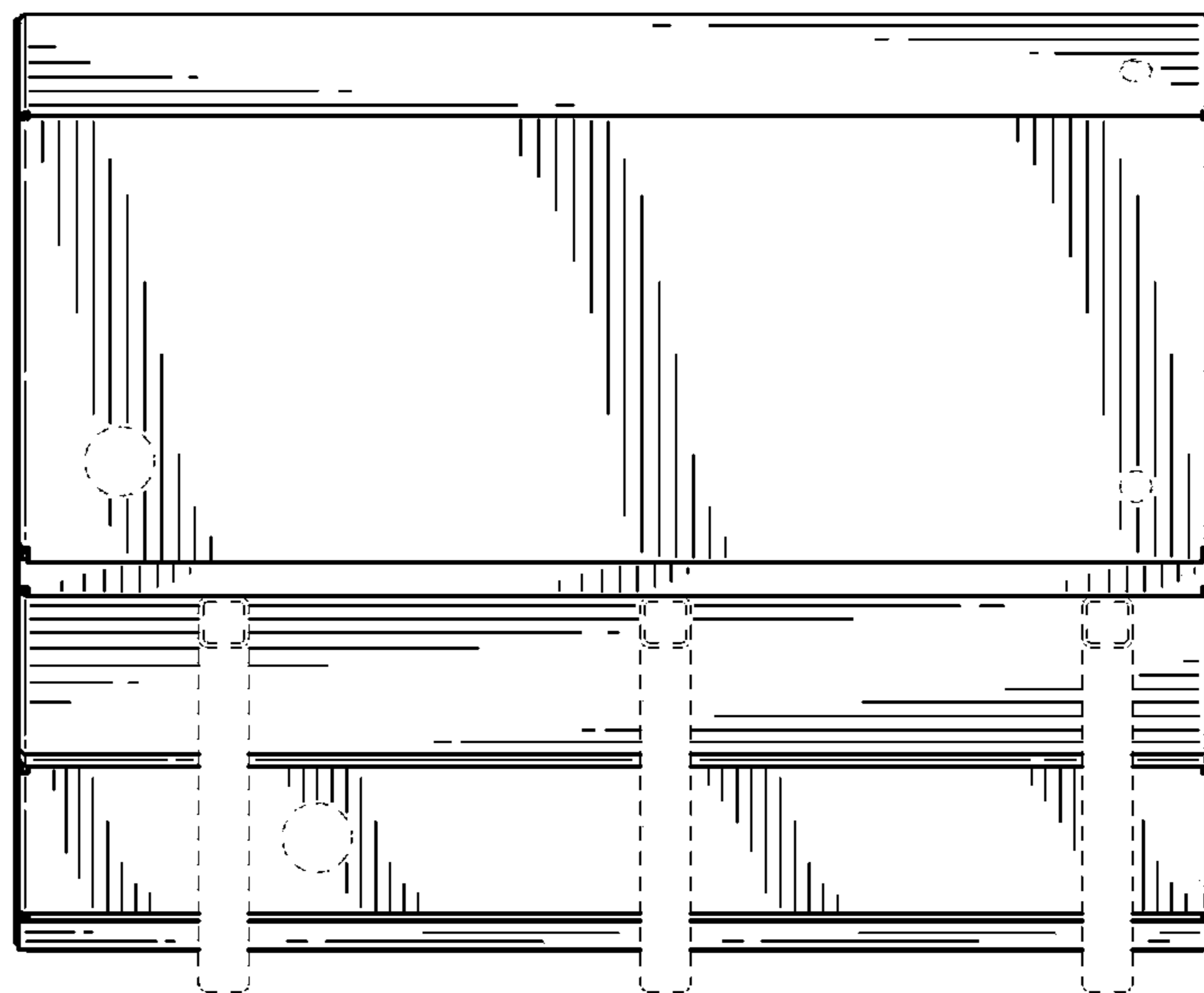


FIG. 6

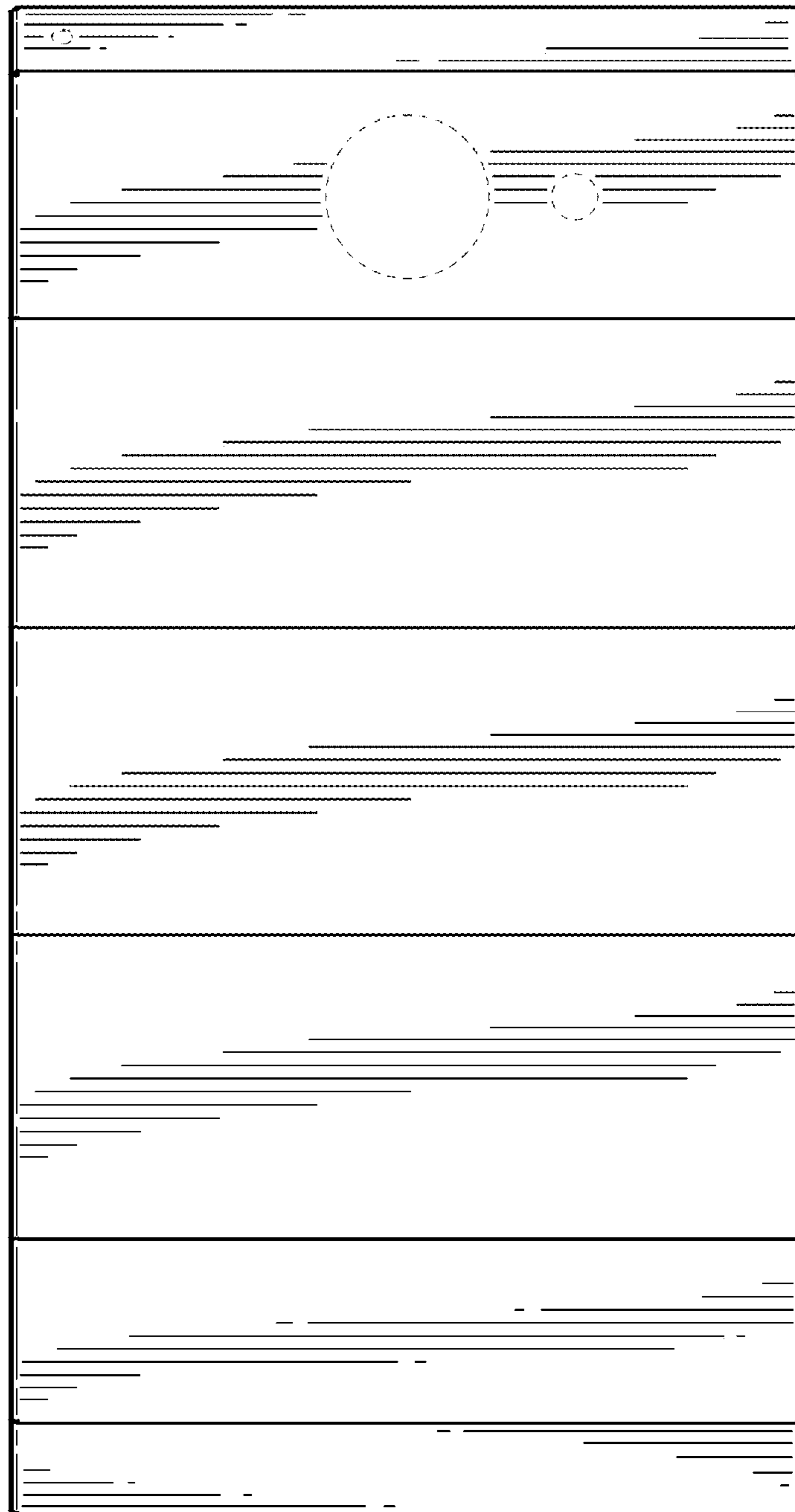


FIG. 7

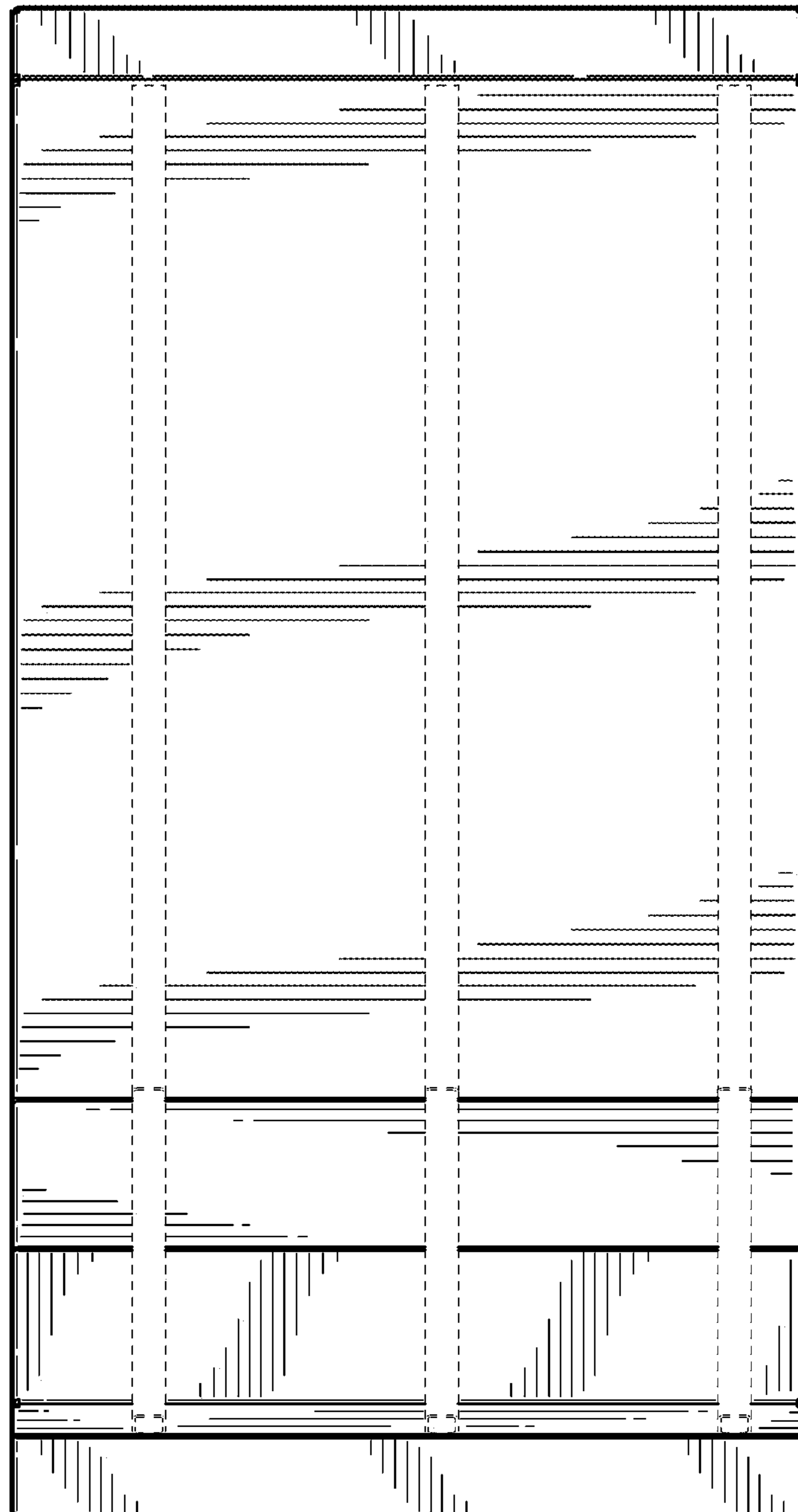


FIG. 8